



www.Source1Parts.com

**PREMIUM SERIES 22 SEER
SINGLE SPLIT DUCTLESS, COOLING SYSTEMS
(CONTAINS INDOOR AND OUTDOOR MODELS)**

HVAC SERVICE PARTS

Supersedes: Nothing

035-23394-001 Rev. A (0912)

1 of 16

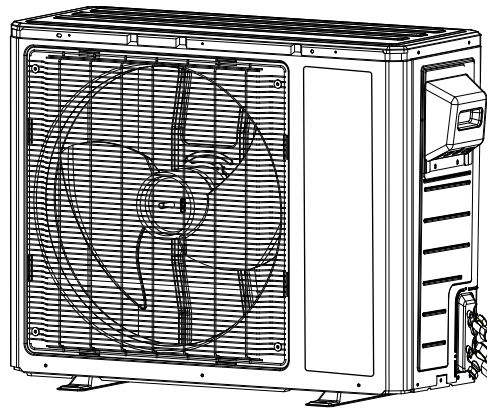


Figure 1: SINGLE SPLIT DUCTLESS SYSTEM

System	Outdoor Model Number	Indoor Model Number
3/4 Ton, 115V	DCPM09CSM41Q1A	DCPM09NWM41Q1A
3/4 Ton, 230V	DCPM09CSM42Q1A	DCPM09NWM42Q1A
1 Ton, 115V	DCPM12CSM41Q1A	DCPM12NWM41Q1A
1 Ton, 230V	DCPM12CSM42Q1A	DCPM12NWM42Q1A
1 1/2 Ton, 230V	DCPM18CSM42Q1A	DCPM18NWM42Q1A
2 Ton, 230V	DCPM24CSM42Q1A	DCPM24NWM42Q1A
3 Ton, 230V	DCPM36CSM42Q1A	DCPM36NWM42Q1A

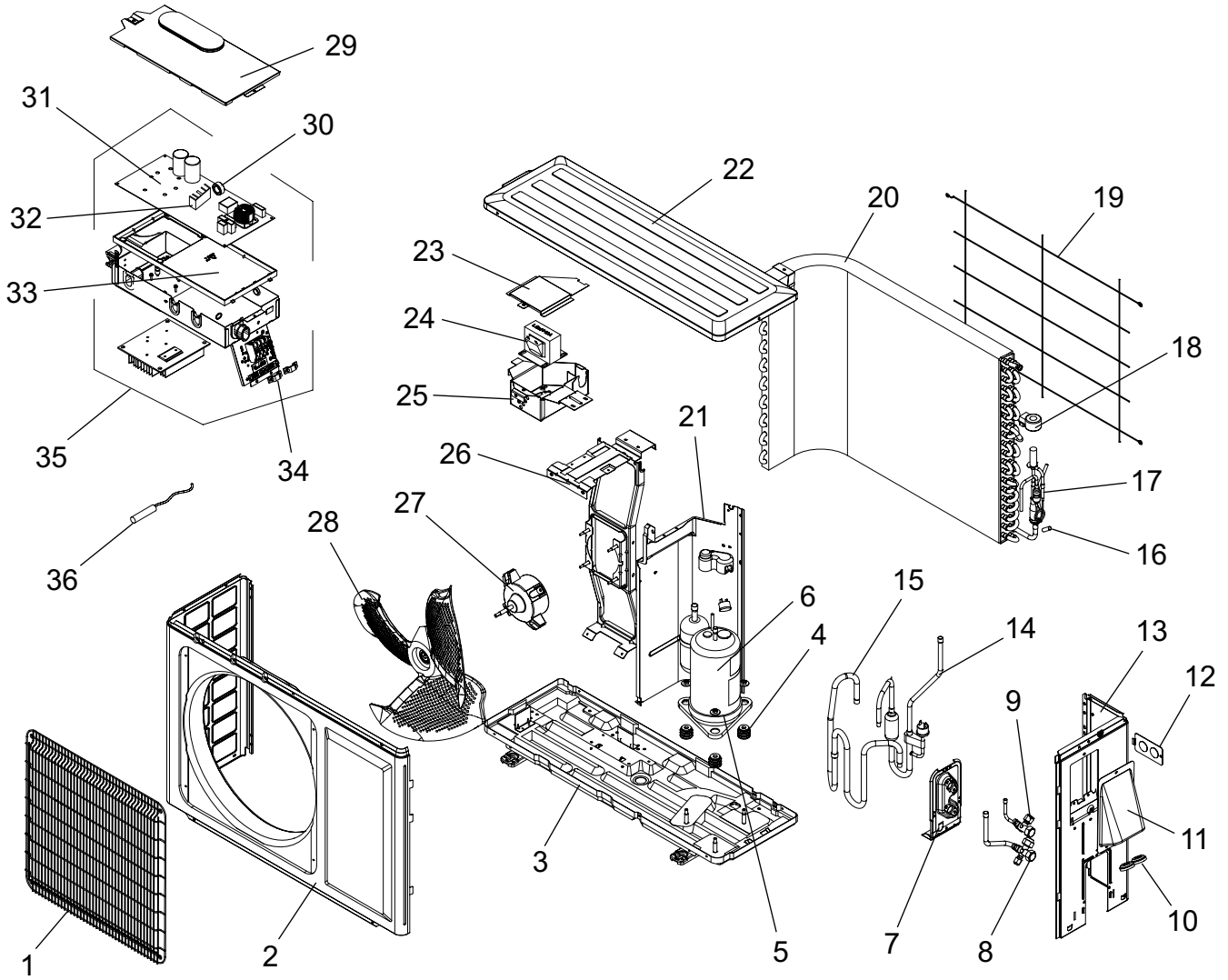


Figure 2: AC OUTDOOR UNIT

FIG	ITEM	DESCRIPTION	DCPM09CSM41Q1A	DCPM09CSM42Q1A	DCPM12CSM41Q1A	DCPM12CSM42Q1A	<
2	1	Grill, Front					
2	2	Cabinet					
2	3	Sub-Assy, Chassis					
2	4	Grommet, Compressor	S1-DL76815203	S1-DL76710290	S1-DL76815203	S1-DL76710290	
2	5	Electric Heater, Compressor					
2	6	Compressor and Fittings	S1-DL00205212	S1-DL00103851	S1-DL00205212	S1-DL00103851	
2	7	Support, Valve					
2	8	Valve					
2	9	Valve					
2	10	Cable Cross Loop					
2	11	Plate, Cable Cross					
2	12	Over, Wire					
2	13	Plate, Right Side					
2	14	Tube, Discharge					
2	15	Tube, Suction					

FIG	ITEM	DESCRIPTION	DCPM09CSM41Q1A	DCPM09CSM42Q1A	DCPM12CSM41Q1A	DCPM12CSM42Q1A	<
2	16	Bushing, Sensor Tube					
2	17	Expansion Valve, Electric	S1-DL07133165	S1-DL07133633	S1-DL07133554	S1-DL07133676	
2	18	Coil, Magnetic	S1-DL4300876701	S1-DL4300876701	S1-DL4300876701	S1-DL4300876701	
2	19	Grill, Rear					
2	20	Assy, Condenser					
2	21	Sub-Assy, Clapboard					
2	22	Cover, Top					
2	23	Cover, Reactor Box					
2	24	Reactor					
2	25	Assy, Reactor					
2	26	Support, Motor					
2	27	Motor, Fan	S1-DL15013069	S1-DL15013159	S1-DL15013069	S1-DL15013159	
2	28	Blade, Fan	S1-DL10333502	S1-DL10333012	S1-DL10333502	S1-DL10333012	
2	29	Sub-Assy, Electric Box					
2	30	Ring, Magnetic					
2	31	Board, Main	S1-DL30138210	S1-DL30148244	S1-DL30138210	S1-DL30148247	
2	32	Radiator					
2	33	Box, Electric					
2	34	Clamp, Wire					
2	35	Assy, Electric Box					
2	36	Sensor, Temperature	S1-DL3900020801	S1-DL3900030001	S1-DL3900020801	S1-DL3900030001	
*	37	Sensor, Discharge	S1-DL39000016		S1-DL39000016		
*	38	Overload Protector, Comp	S1-DL00180002		S1-DL00180002		
*	39	Board, Terminal	S1-DL42010255		S1-DL42010255		

NOTE: *Not Shown
 New replacement parts shown in **bold** face type at the first printing of parts list dated 9/12.
 Major components and suggested stocking items are shown with shaded item number.
 “<” Across from row indicates a change in that row.
 --- Not applicable to specified model.



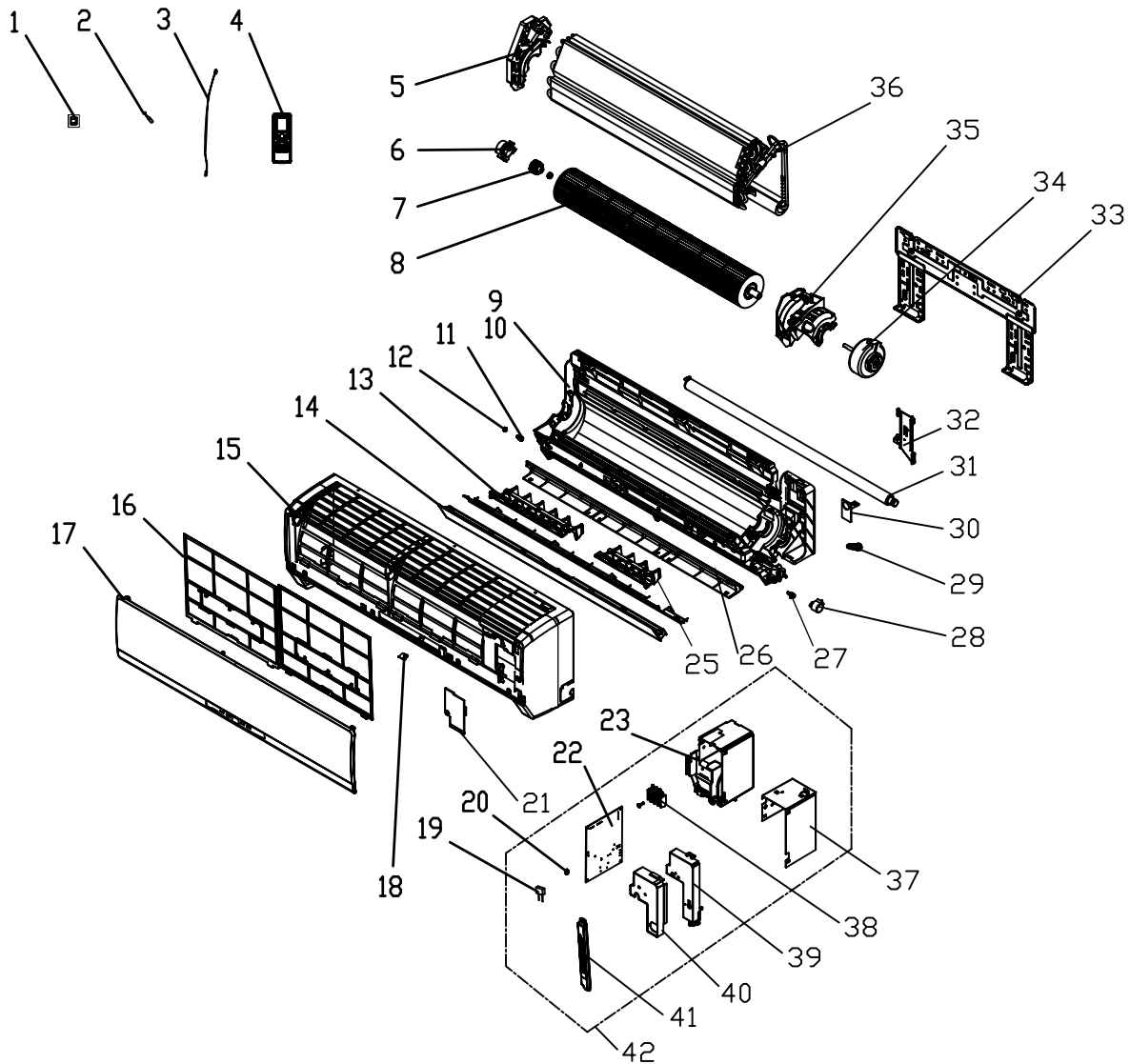


Figure 3: INDOOR UNIT

FIG	ITEM	DESCRIPTION	DCPM09NWM41Q1A	DCPM09NWM42Q1A	DCPM12NWM42Q1A	DCPM12NWM42Q1A	<
3	1	Connector Nut, Pipe					
3	2	Sensor, Temperature	S1-DL390000591	S1-DL390000591	S1-DL390000591	S1-DL390000591	
3	3	Sensor, Ambient Temperature	S1-DL390000451	S1-DL390000453	S1-DL390000451	S1-DL390000453	
3	4	Control, Remote	S1-DL30510050	S1-DL30510050	S1-DL30510050	S1-DL30510050	
3	5	Support, Evaporator					
3	6	Ring, Bearing					
3	7	Sub-Assy, Bearing					
3	8	Fan, Cross Flow	S1-DL10352017	S1-DL10352017	S1-DL10352017	S1-DL10352017	
3	9	Case Assy, Rear					
3	10	Case, Rear					
3	11	Bushing, Axile					
3	12	Bushing, Axile, Left					
3	13	Louver, Air					
3	14	Louver, Guide					
3	15	Case Assy, Front					
3	16	Assy, Filter	S1-DL1112220401	S1-DL1112220403	S1-DL1112220401	S1-DL1112220403	
3	17	Sub-Assy, Front					
3	18	Cover, Screw					
3	19	Capacitor		S1-DL33010002		S1-DL33010002	
3	20	Jumper					
3	21	Box Cover, Electric					
3	22	Board, Main	S1-DL30138586	S1-DL30148208	S1-DL30138586	S1-DL30148208	

FIG	ITEM	DESCRIPTION	DCPM09NWM41Q1A	DCPM09NWM42Q1A	DCPM12NWM42Q1A	DCPM12NWM42Q1A	<
3	23	Box, Electric					
3	24	Grill, Rear					
3	25	Louver, Air					
3	26	Tongue, Helicoild					
3	27	Crank					
3	28	Motor, Stepper	S1-DL1521210901	S1-DL1521212901	S1-DL1521210901	S1-DL1521212901	
3	29	Plug, Water (Water Tray)					
3	30	Cross Plate, Cable					
3	31	Hose, Drainage					
3	32	Clamp, Pipe					
3	33	Frame, Wall Mounting					
3	34	Motor, Fan	S1-DL1501208902	S1-DL15012089	S1-DL1501208902	S1-DL15012089	
3	35	Press Plate, Motor					
3	36	Assy, Evaporator					
3	37	Sub-Assy, Lower Shield					
3	38	Board, Terminal	S1-DL42011233	S1-DL42011233	S1-DL42011233	S1-DL42011233	
3	39	Box Cover, Electric					
3	40	Board, Display	S1-DL30565043	S1-DL30565145	S1-DL30565043	S1-DL30565145	
3	41	Assy, Electric Box					
*	42	Filter		S1-DL1112208503		S1-DL1112208503	
*	43	Fuse		S1-DL46010055		S1-DL46010055	
*	44	Transformer	S1-DL43110256		S1-DL43110256		

NOTE: *Not Shown

New replacement parts shown in **bold** face type at the first printing of parts list dated 9/12.

Major components and suggested stocking items are shown with shaded item number.

"<" Across from row indicates a change in that row.

--- Not applicable to specified model.



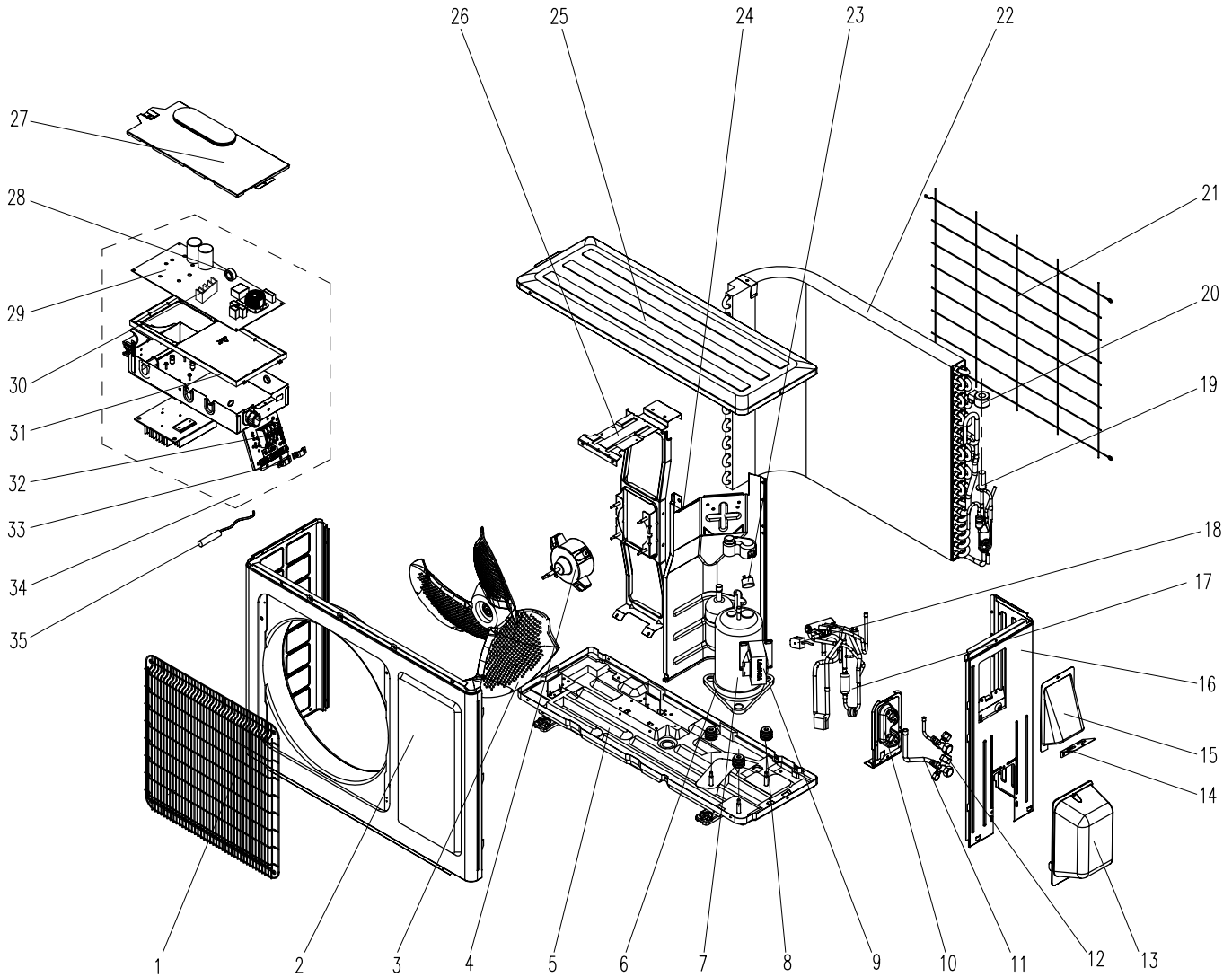


Figure 4: AC OUTDOOR UNIT

FIG	ITEM	DESCRIPTION	DCPM18CSM42Q1A	<
4	1	Grill, Front		
4	2	Cabinet		
4	3	Blade, Fan	S1-DL10335008	
4	4	Motor, Fan	S1-DL1501506402	
4	5	Support, Motor		
4	6	Electric, Heater (Compressor)		
4	7	Compressor and Fittings	S1-DL00105241	
4	8	Grommet, Rubber	S1-DL76715021	
4	9	Reactor		
4	10	Support Assy, Valve		
4	11	Valve, 1/2"		
4	12	Valve, Cut-off		
4	13	Cover, Valve		
4	14	Cross Plate, Cable		
4	15	Cross Plate, Cable		
4	16	Plate, Right Side		
4	17	Valve, 4-Way		
4	18	Coil, Magnetic		
4	19	Sub-Assy, Expansion Valve, Electric	S1-DL07133681	
4	20	Coil, Magnetic		
4	21	Grill, Rear		

FIG	ITEM	DESCRIPTION	DCPM18CSM42Q1A	<
4	22	Assy, Condenser		
4	23	Overload Protector, Compressor		
4	24	Sub-Assy, Clapboard		
4	25	Cover, Top		
4	26	Sub-Assy, Motor Support		
4	27	Sub-Assy, Electric Box Cover		
4	28	Ring, Magnetic		
4	29	Board, Main	S1-DL30148249	
4	30	Radiator		
4	31	Box, Electric		
4	32	Board, Terminal	S1-DL42010255	
4	33	Clamp, Wire		
4	34	Assy, Electric Box		
4	35	Sensor, Temperature	S1-DL3900030901	

NOTE: *Not Shown
 New replacement parts shown in **bold** face type at the first printing of parts list dated 9/12.
 Major components and suggested stocking items are shown with shaded item number.
 "<" Across from row indicates a change in that row.
 --- Not applicable to specified model.

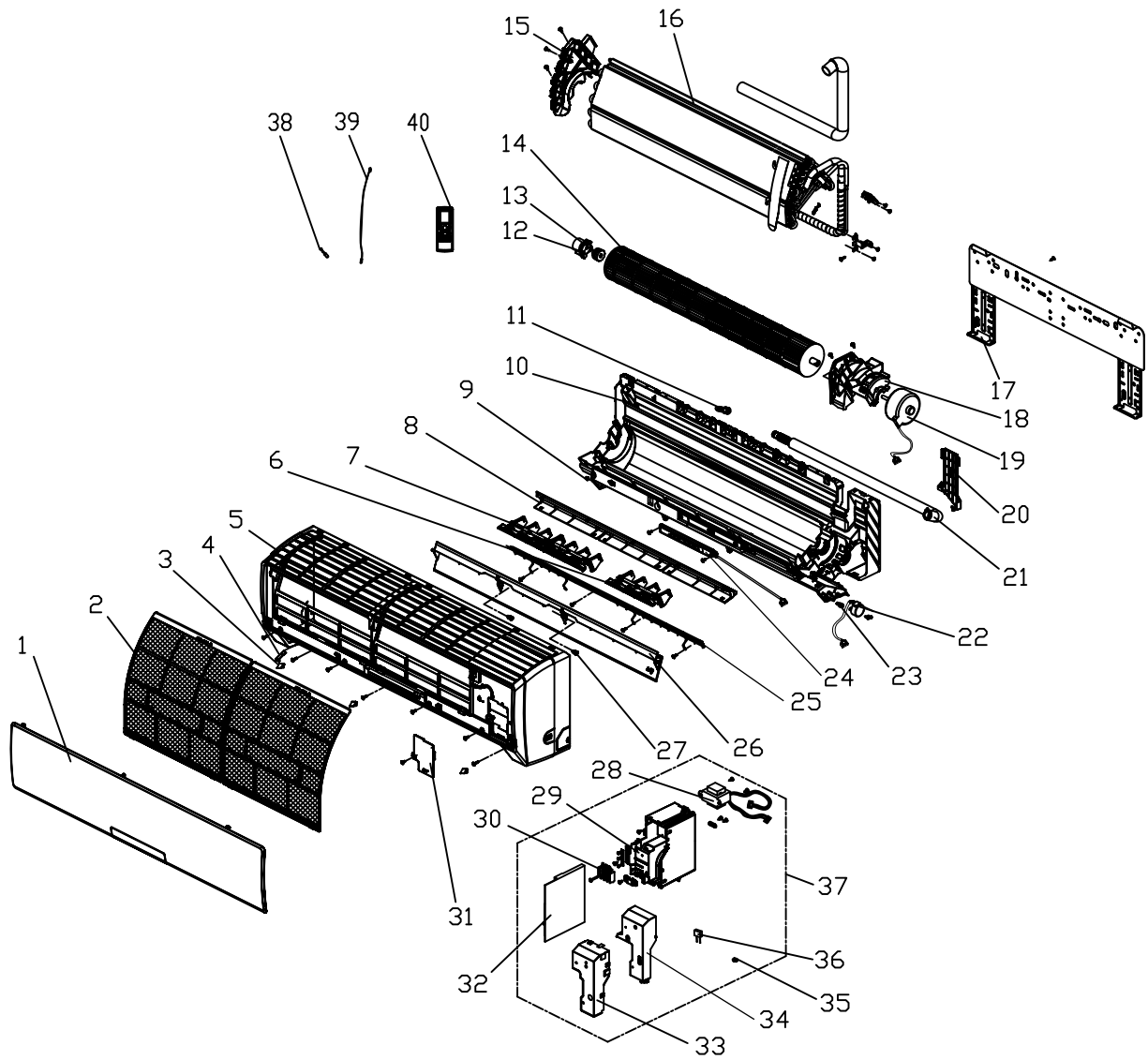


Figure 5: INDOOR UNIT

FIG	ITEM	DESCRIPTION	DCPM18NWM42Q1A	<
5	1	Panel Assy, Front		
5	2	Sub-Assy, Filter	S1-DL1112208901	
5	3	Cover, Screw		
5	4	Plate, Baffle		
5	5	Sub-Assy, Front Case		
5	6	Louver, Air		
5	7	Louver, Air		
5	8	Tongue, Helicoid		
5	9	Bushing, Left Axile		
5	10	Assy, Rear Case		
5	11	Rubber Plug (Water Tray)		
5	12	Bearing Ring		
5	13	O-Ring, Bearing Sub-Assy		
5	14	Fan, Cross Flow	S1-DL10352019	
5	15	Support, Evaporator		
5	16	Assy, Evaporator		
5	17	Frame, Wall Mounting		
5	18	Press Plate, Motor		
5	19	Motor, Fan	S1-DL1501211601	
5	20	Clamp, Pipe		
5	21	Hose, Drainage		
5	22	Motor, Stepper	S1-DL15012086	
5	23	Crank		
5	24	Board, Display	S1-DL30565145	
5	25	Enclosure, Mesh		
5	26	Louver, Guide		
5	27	Bushing, Axile		
5	28	Transformer		
5	29	Box, Electric		
5	30	Board, Terminal	S1-DL42011233	
5	31	Cover, Electric Box		
5	32	Board, Main	S1-DL301483341	
5	33	Shield Cover, Electric Box		
5	34	Cover, Electric Box		
5	35	Jumper		
5	36	Capactor	S1-DL33010043	
5	37	Assy, Electric Box		
5	38	Sensor, Ambient Temperature	S1-DL390000453	
5	39	Sensor, Tube		
5	40	Controller, Remote	S1-DL30510050	
*	41	Sensor, Temperature	S1-DL390000591	
*	42	Fuse	S1-DL46010055	

NOTE: *Not Shown
 New replacement parts shown in **bold** face type at the first printing of parts list dated 9/12.
 Major components and suggested stocking items are shown with shaded item number.
 "<" Across from row indicates a change in that row.
 --- Not applicable to specified model.



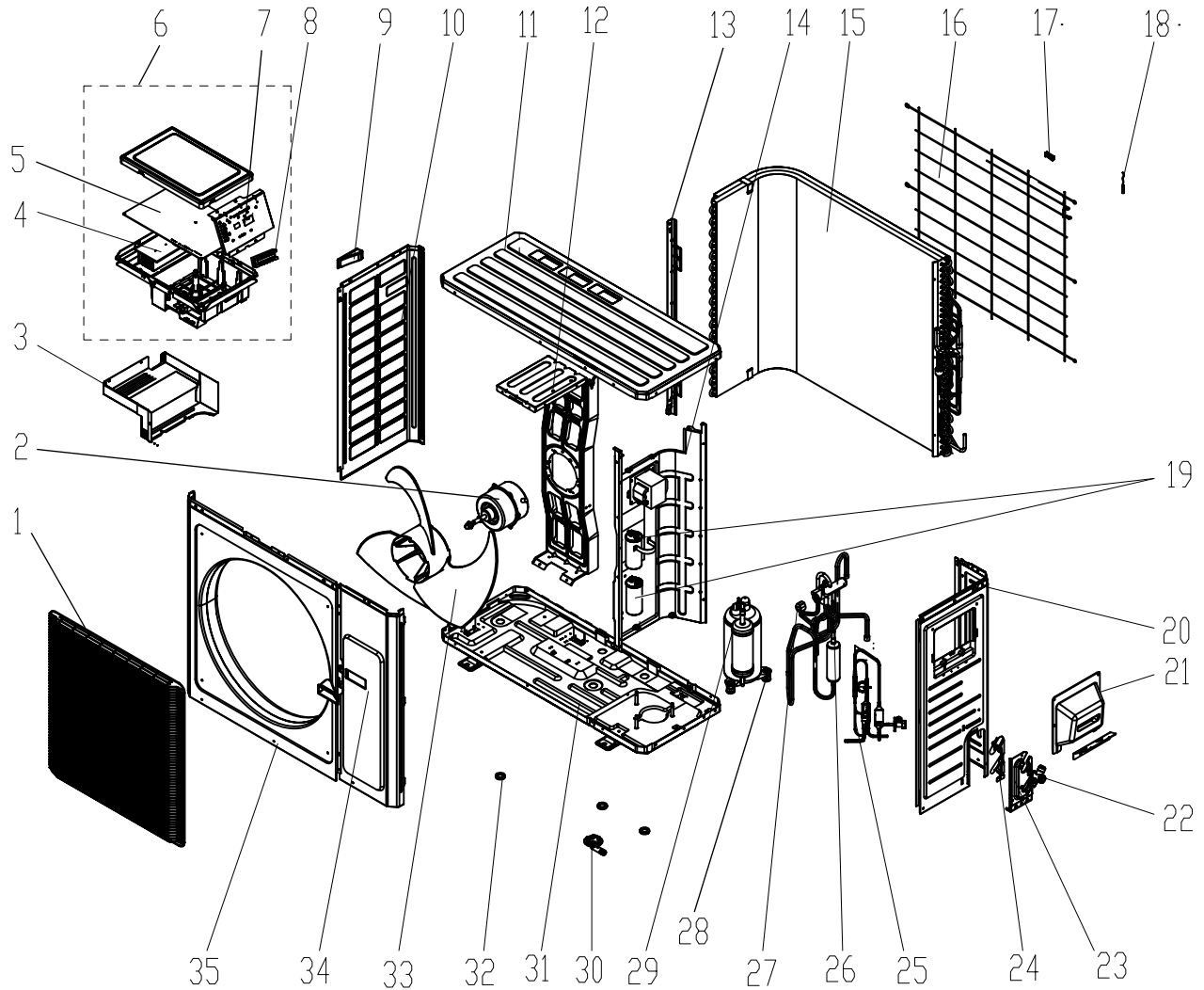


Figure 6: AC OUTDOOR UNIT

FIG	ITEM	DESCRIPTION	DCPM24CSM42Q1A	<
6	1	Grill, Front		
6	2	Motor, Fan	S1-DL1501506205	
6	3	Box, Electric		
6	4	Radiator		
6	5	Board, Main	S1-DL30148126	
6	6	Assy, Electric Box		
6	7	Support Sub-Assy, Terminal Board		
6	8	Board, Terminal	S1-DL42010255	
6	9	Handle, Left		
6	10	Plate, Left Side		
6	11	Cover, Top		
6	12	Sub-Assy, Motor Support		
6	13	Support Plate, Condenser		
6	14	Sub-Assy, Clapboard		
6	15	Assy, Condenser		
6	16	Grill, Rear		
6	17	Clamp, Wiring		
6	18	Sensor, Temperature	S1-DL39000072	
6	19	Capacitor	S1-DL33010011	
6	20	Plate, Right Side		
6	21	Assy, Handle		
6	22	Valve, Cut-off		

FIG	ITEM	DESCRIPTION	DCPM24CSM42Q1A	<
6	23	Sub-Assy, Valve Support		
6	24	Baffle		
6	25	Sub-Assy, Capillary		
6	26	Valve Assy, 4-Way		
6	27	Coil, Magnetic		
6	28	Grommet, Rubber	S1-DL76715021	
6	29	Compressor and Fittings	S1-DL00103873	
6	30	Connector, Drainage		
6	31	Sub-Assy, Chassis		
6	32	Plug, Drainage		
6	33	Blade, Fan	S1-DL10335005	
6	34	Side Plate, Front		
6	35	Cabinet		
*	36	Overload Protector, Compressor	S1-DL00183066	

NOTE: *Not Shown
 New replacement parts shown in **bold** face type at the first printing of parts list dated 9/12.
 Major components and suggested stocking items are shown with shaded item number.
 “<” Across from row indicates a change in that row.
 --- Not applicable to specified model.

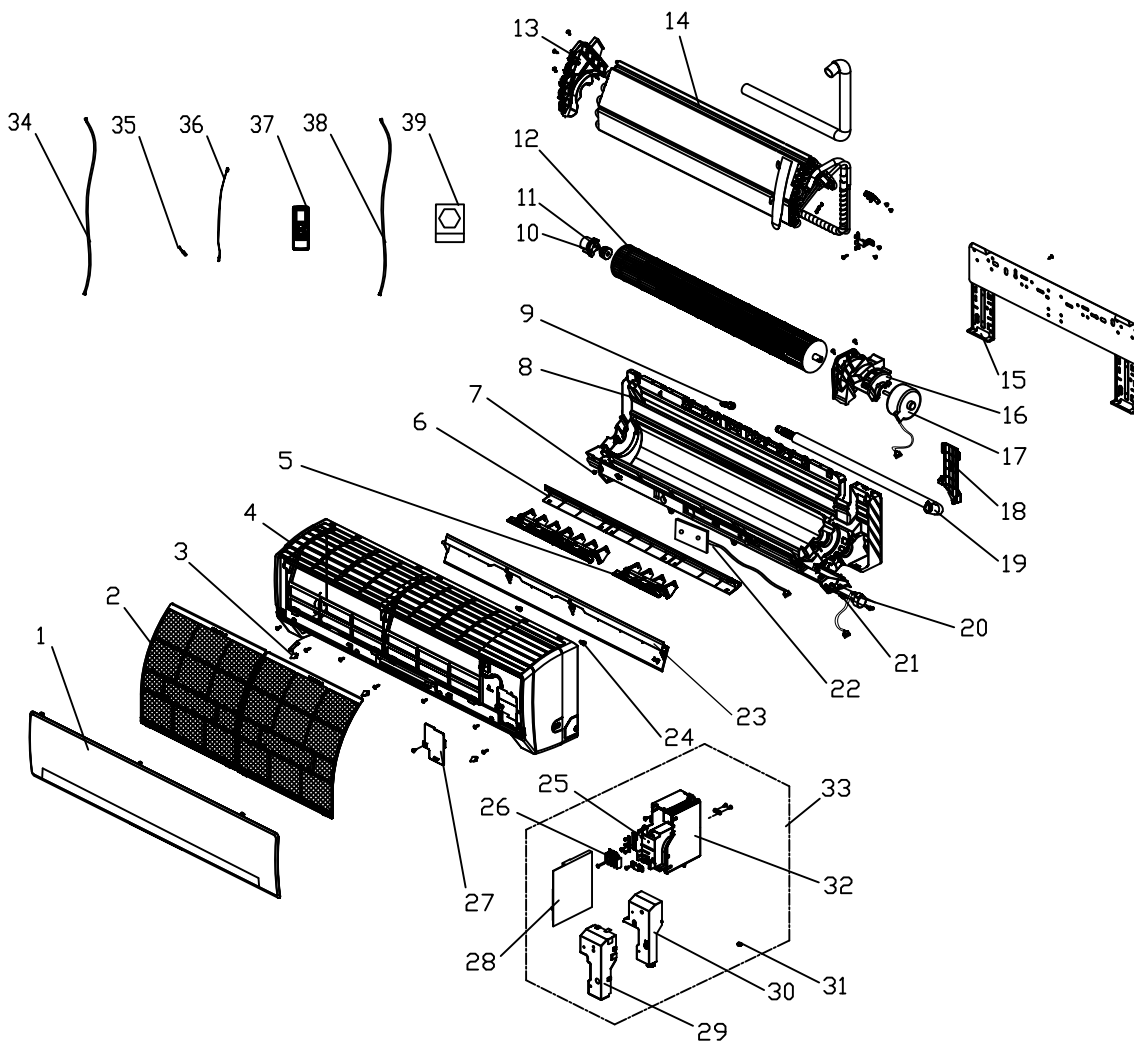


Figure 7: INDOOR UNIT

FIG	ITEM	DESCRIPTION	DCPM24NWM42Q1A <
7	1	Assy, Front Panel	
7	2	Sub-Assy, Filter	S1-DL11122091
7	3	Cover, Screw	
7	4	Assy, Front Case	
7	5	Louver, Air	
7	6	Tongue, Helicoid	
7	7	Bushing, Left Axile	
7	8	Assy, Rear Case	
7	9	Rubber Plug (Water Tray)	
7	10	Bearing Ring	
7	11	O-Ring, Bearing Assy.	
7	12	Fan, Cross Flow	S1-DL10352030
7	13	Support, Evaporator	
7	14	Assy, Evaporator	
7	15	Frame, Wall Mounting	
7	16	Press Plate, Motor	
7	17	Motor, Fan	S1-DL15012136
7	18	Clamp, Pipe	
7	19	Hose, Drainage	
7	20	Motor, Stepper	S1-DL1521300101
7	21	Crank	
7	22	Board, Display	S1-DL30565145
7	23	Louver, Guide	
7	24	Bushing, Axile	
7	25	Box, Electric	
7	26	Board, Terminal	S1-DL42011233
7	27	Cover, Electric Box	
7	28	Board, Main	S1-DL30148235
7	29	Shield, Lower, Electric Box	
7	30	Cover, Electric Box	
7	31	Jumper	
7	32	Shield Cover, Electric Box	
7	33	Assy, Electric Box	
7	34	Cable, Connecting	
7	35	Sensor, Ambient Temperature	S1-DL390000451
7	36	Sensor, Tube	
7	37	Controller, Remote	S1-DL30510050
7	38	Cable, Connectiong	
7	39	Nut, Pipe Connection	
*	40	Sensor, Temperature	S1-DL390000598
*	41	Fuse	S1-DL46010055

NOTE: *Not Shown
 New replacement parts shown in **bold** face type at the first printing of parts list dated 9/12.
 Major components and suggested stocking items are shown with shaded item number.
 “<” Across from row indicates a change in that row.
 --- Not applicable to specified model.



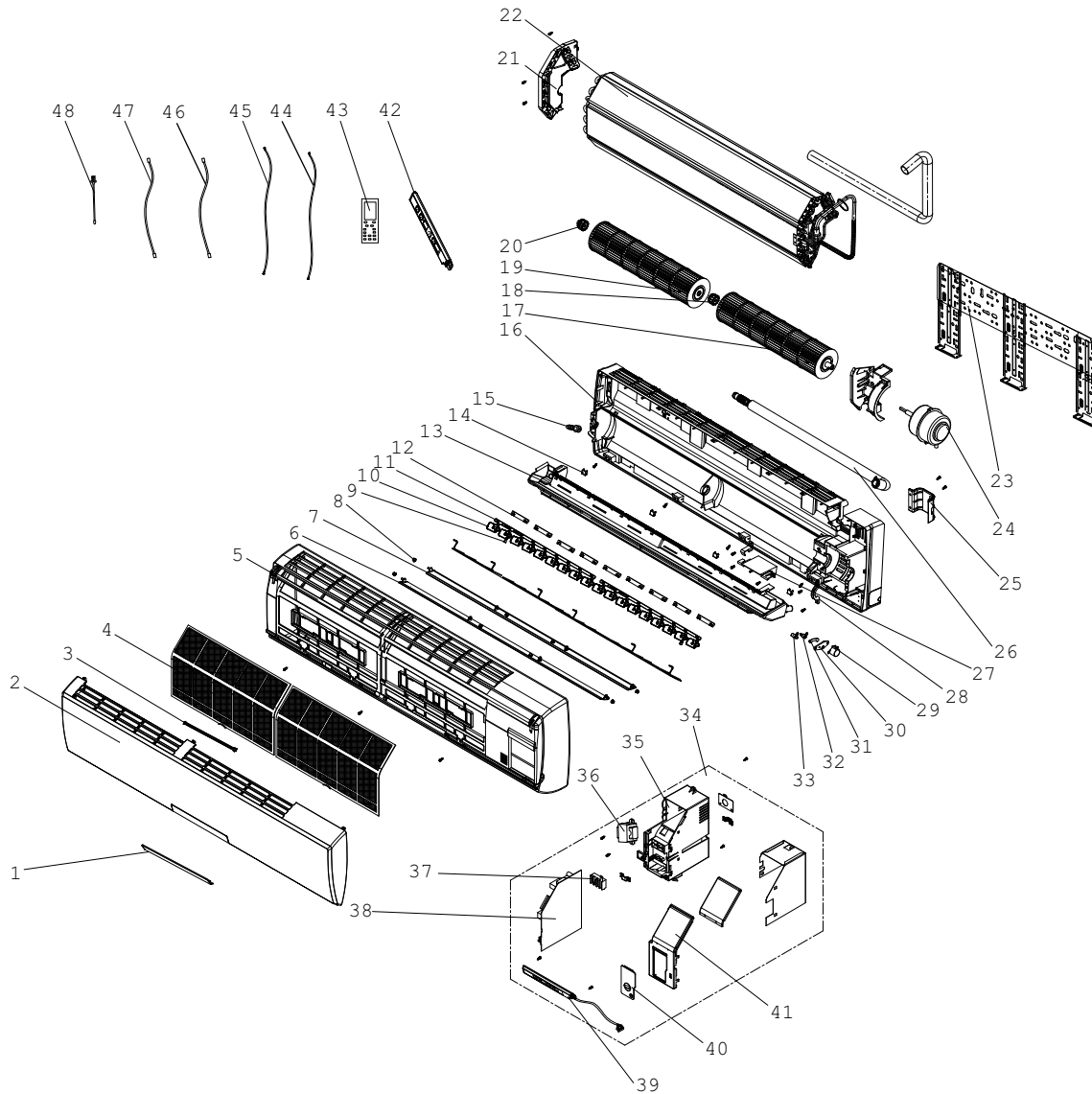



Figure 8: INDOOR UNIT

FIG	ITEM	DESCRIPTION	DCPM36NWM42Q1A <
8	1	Window, Receiver	
8	2	Assy, Front Panel	
8	3	Bar, Stand	
8	4	Sub-Assy, Filter	S1-DL11122106
8	5	Sub-Assy, Front Case	
8	6	Louver, Upper Guide	
8	7	Louver, Lower Guide	
8	8	Bushing, Axile	
8	9	Louver, Aire	
8	10	Louver, Air	
8	11	Rod, Connecting	
8	12	Clamp, Louver	
8	13	Tray, Water	
8	14	Cover, Screw	
8	15	Glue Plug, Water Tray	
8	16	Sub-Assy, Rear Case	
8	17	Fan, Cross Flow	S1-DL10352039
8	18	Sub-Assy, Bearing Holder	
8	19	Fan, Cross Flow	S1-DL10352040
8	20	O-Ring, Bearing Holder	

FIG	ITEM	DESCRIPTION	DCPM36NWM42Q1A <
8	21	Right Support, Evaporator	
8	22	Assy, Evaporator	
8	23	Frame, Wall Mounting	
8	24	Motor, Fan	S1-DL15012107
8	25	Clamp, Pipe	
8	26	Pipe, Drainage	
8	27	Plate, Cover	
8	28	Fixed Clip, Motor	
8	29	Motor, Stepper	S1-DL1521210701
8	30	Plate, Press (Crank)	
8	31	Crank-Guide	
8	32	Crank, Upper	
8	33	Crank, Lower	
8	34	Assy, Electric Box	
8	35	Box, Electric	
8	36	Transformer	S1-DL43110258
8	37	Board, Terminal	S1-DL42011233
8	38	Board, Main	S1-DL30138945
8	39	Board, Display	S1-DL30565124
8	40	Cover, Electric Box	
8	41	Cover, Electric Box	
8	42	Board, Display	S1-DL30565124
8	43	Controller, Remote	S1-DL30510050
8	44	Cable, Connecting	
8	45	Cord, Power	
8	46	Wire, Signal	
8	47	Sensor, Tube	
8	48	Sensor, Ambient Temperature	S1-DL390000451

NOTE: *Not Shown
 New replacement parts shown in **bold** face type at the first printing of parts list dated 9/12.
 Major components and suggested stocking items are shown with shaded item number. 
 "<" Across from row indicates a change in that row.
 --- Not applicable to specified model.

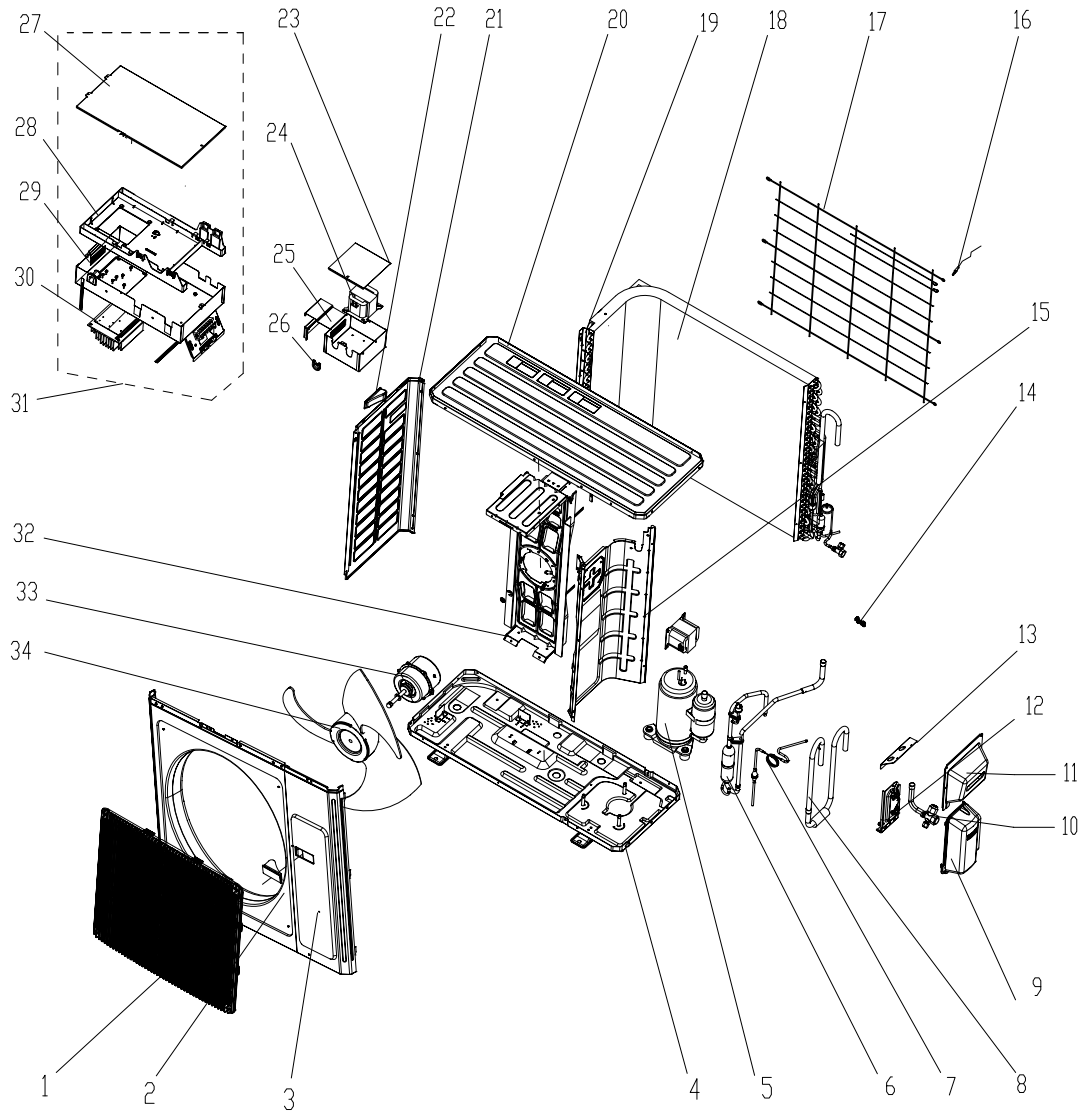


Figure 9: AC OUTDOOR UNIT

FIG	ITEM	DESCRIPTION	DCPM36WM42Q1A <
9	1	Grill, Front	
9	2	Cabinet	
9	3	Plate, Front Side	
9	4	Sub-Assy, Chassis	
9	5	Compressor and Fittings	S1-DL00205275
9	6	Separator, Oil	
9	7	Sub-Assy, Capillary	S1-DL03063604
9	8	Sub-Assy, Suction Tube	
9	9	Cover, Valve	
9	10	Valve, Cut-off	
9	11	Assy, Handle	
9	12	Sub-Assy, Valve Support	
9	13	Block	
9	14	Clamp, Wiring	
9	15	Clapboard	
9	16	Sensor, Temperature	S1-DL3900031001
9	17	Grill, Rear	
9	18	Assy, Condenser	
9	19	Support Plate, Condenser	
9	20	Sub-Assy, Top Cover	

FIG	ITEM	DESCRIPTION	DCPM36WM42Q1A	<
9	21	Plate, Left Side		
9	22	Handle, Left		
9	23	Cover, Electric Box		
9	24	Reactor		
9	25	Sub-Assy, Electric Box		
9	26	Cross-Loop, Cable		
9	27	Cover, Electric Box		
9	28	Box, Electric		
9	29	Sub-Assy, Electric Box		
9	30	Radiator		
9	31	Assy, Electric Box		
9	32	Sub-Assy, Motor Support		
9	33	Motor, Fan	S1-DL15702802	
9	34	Blade, Fan	S1-DL10335005	
*	35	Grommet, Compressor	S1-DL76710207	
*	36	Overload Protector, Compressor	S1-DL00285213	
*	37	Switch, Pressure	S1-DL46020006	
*	38	Board, Terminal	S1-DL42010255	
*	39	Board, Main	S1-DL30138214	

NOTE: *Not Shown

New replacement parts shown in **bold** face type at the first printing of parts list dated 9/12.

Major components and suggested stocking items are shown with shaded item number.

"<" Across from row indicates a change in that row.

--- Not applicable to specified model.



ACCESSORIES	
Holder, Remote Control	S1-DL26150003
Filter, Catechin	S1-DL11200511
Drain Line, 5/8"	S1-230-DL16

LINE SETS			
S1-52642437015	Lineset, Minisplit, 1/4LX3/8SX15', 3/8Ins	S1-52642440035	Lineset, Minisplit, 1/4LX3/4SX35', 3/8Ins
S1-52642437020	Lineset, Minisplit, 1/4LX3/8SX20', 3/8Ins	S1-52642440050	Lineset, Minisplit, 1/4LX3/4SX50', 3/8Ins
S1-52642437025	Lineset, Minisplit, 1/4LX3/8SX25', 3/8Ins	S1-52642441015	Lineset, Minisplit, 3/8LX5/8SX15', 3/8Ins
S1-52642437030	Lineset, Minisplit, 1/4LX3/8SX30', 3/8Ins	S1-52642441020	Lineset, Minisplit, 3/8LX5/8SX20', 3/8Ins
S1-52642437035	Lineset, Minisplit, 1/4LX3/8SX35', 3/8Ins	S1-52642441025	Lineset, Minisplit, 3/8LX5/8SX25', 3/8Ins
S1-52642437050	Lineset, Minisplit, 1/4LX3/8SX50', 3/8Ins	S1-52642441030	Lineset, Minisplit, 3/8LX5/8SX30', 3/8Ins
S1-52642438015	Lineset, Minisplit, 1/4LX1/2SX15', 3/8Ins	S1-52642441035	Lineset, Minisplit, 3/8LX5/8SX35', 3/8Ins
S1-52642438020	Lineset, Minisplit, 1/4LX1/2SX20', 3/8Ins	S1-52642441050	Lineset, Minisplit, 3/8LX5/8SX50', 3/8Ins
S1-52642438025	Lineset, Minisplit, 1/4LX1/2SX25', 3/8Ins	S1-52642442015	Lineset, Minisplit, 3/8LX3/4SX15', 3/8Ins
S1-52642438030	Lineset, Minisplit, 1/4LX1/2SX30', 3/8Ins	S1-52642442020	Lineset, Minisplit, 3/8LX3/4SX20', 3/8Ins
S1-52642438035	Lineset, Minisplit, 1/4LX1/2SX35', 3/8Ins	S1-52642442025	Lineset, Minisplit, 3/8LX3/4SX25', 3/8Ins
S1-52642438050	Lineset, Minisplit, 1/4LX1/2SX50', 3/8Ins	S1-52642442030	Lineset, Minisplit, 3/8LX3/4SX30', 3/8Ins
S1-52642439015	Lineset, Minisplit, 1/4LX5/8SX15', 3/8Ins	S1-52642442035	Lineset, Minisplit, 3/8LX3/4SX35', 3/8Ins
S1-52642439020	Lineset, Minisplit, 1/4LX5/8SX20', 3/8Ins	S1-52642442050	Lineset, Minisplit, 3/8LX3/4SX50', 3/8Ins
S1-52642439025	Lineset, Minisplit, 1/4LX5/8SX25', 3/8Ins	S1-52642443015	Lineset, Minisplit, 3/8LX7/8SX15', 3/8Ins
S1-52642439030	Lineset, Minisplit, 1/4LX5/8SX30', 3/8Ins	S1-52642443025	Lineset, Minisplit, 3/8LX7/8SX25', 3/8Ins
S1-52642439035	Lineset, Minisplit, 1/4LX5/8SX35', 3/8Ins	S1-52642424030	Lineset, Minisplit, 1/4LX3/8SX30', 1/2, Pln
S1-52642439050	Lineset, Minisplit, 1/4LX5/8SX50', 3/8Ins	S1-52642424050	Lineset, Minisplit, 1/4LX3/8SX50', 1/2, Pln
S1-52642440015	Lineset, Minisplit, 1/4LX3/4SX15', 3/8Ins	S1-52642425030	Lineset, Minisplit, 1/4LX1/2SX30', 1/2, Pln
S1-52642440020	Lineset, Minisplit, 1/4LX3/4SX20', 3/8Ins	S1-52642425050	Lineset, Minisplit, 1/4LX1/2SX50', 1/2, Pln
S1-52642440025	Lineset, Minisplit, 1/4LX3/4SX25', 3/8Ins	S1-52642426030	Lineset, Minisplit, 1/4LX5/8SX30', 1/2, Pln
S1-52642440030	Lineset, Minisplit, 1/4LX3/4SX30', 3/8Ins	S1-52642426050	Lineset, Minisplit, 1/4LX5/8SX50', 1/2, Pln

TO ORDER AUTHORIZED FACTORY REPLACEMENT PARTS - Contact your Source1 HVAC Parts Distributor or visit our website at www.Source1Parts.com for a Distributor and Dealer listing.

Subject to change without notice. Published in U.S.A.
Copyright © 2012 by Johnson Controls, Inc. All rights reserved.

035-23394-001 Rev. A (0912)
Supersedes: Nothing

York International Corp.
5005 York Drive
Norman, OK 73069