



www.Source1Parts.com

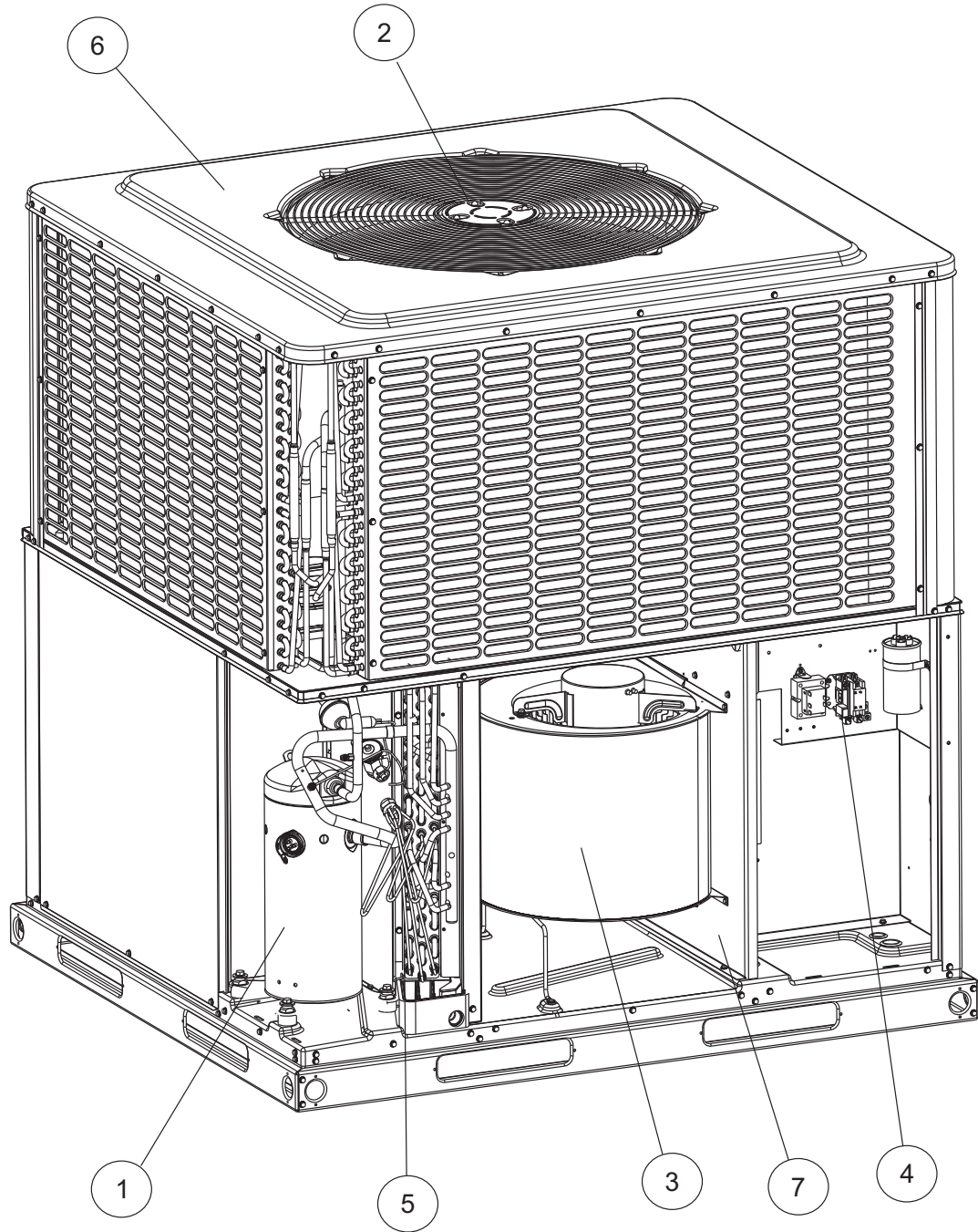
# PCE4 SERIES - 14 SEER 3 PHASE SINGLE PACKAGED A/C ELECTRIC (R-410A, STYLE B)

HVAC SERVICE PARTS

Supersedes:Nothing

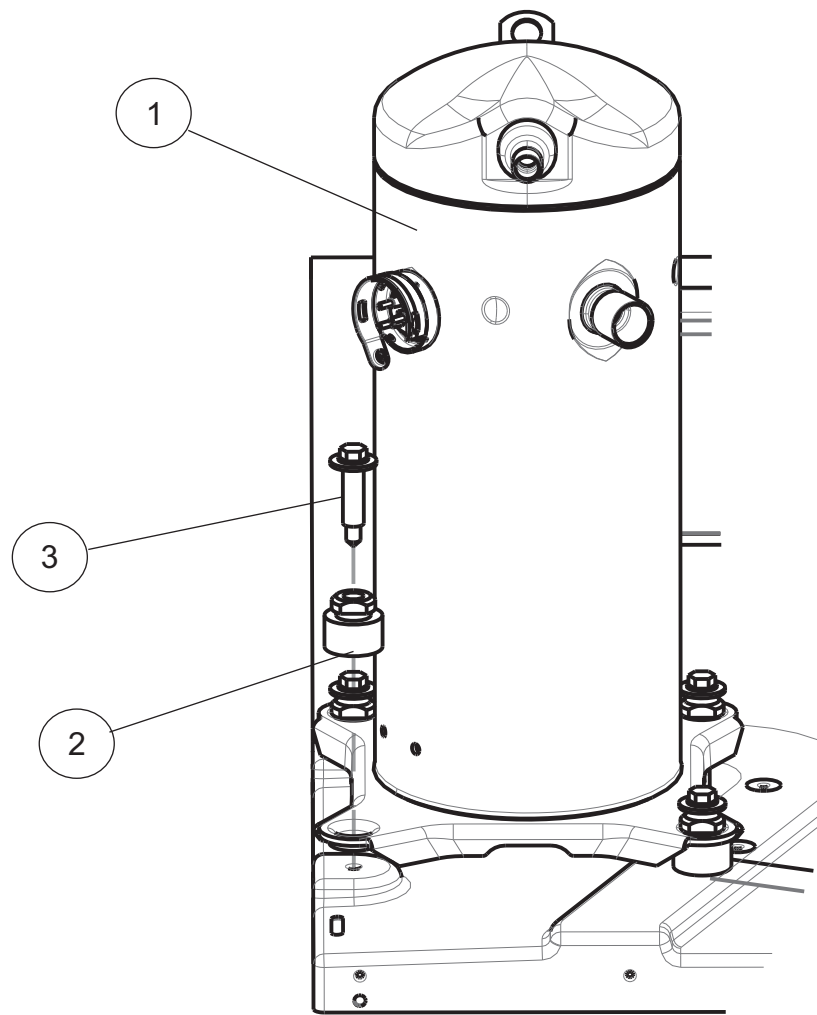
035-26503-001 Rev. A (0418)

1 of 12



### Electric Heat Pump Residential Packaged \_Top Level

| Section | Description                         | Pages  |
|---------|-------------------------------------|--------|
| 1       | Compressor Assembly                 | 2      |
| 2       | Fan Assembly                        | 3      |
| 3       | Indoor Blower Assembly              | 4      |
| 4       | Electric Box Assembly               | 5      |
| 5       | Condenser, Evaporator Coil Assembly | 6, 7   |
| 6       | Outside Sheet Metal Parts           | 8, 9   |
| 7       | Inside Sheet Metal Parts            | 10, 11 |
| 8       | Misc.                               | 11     |



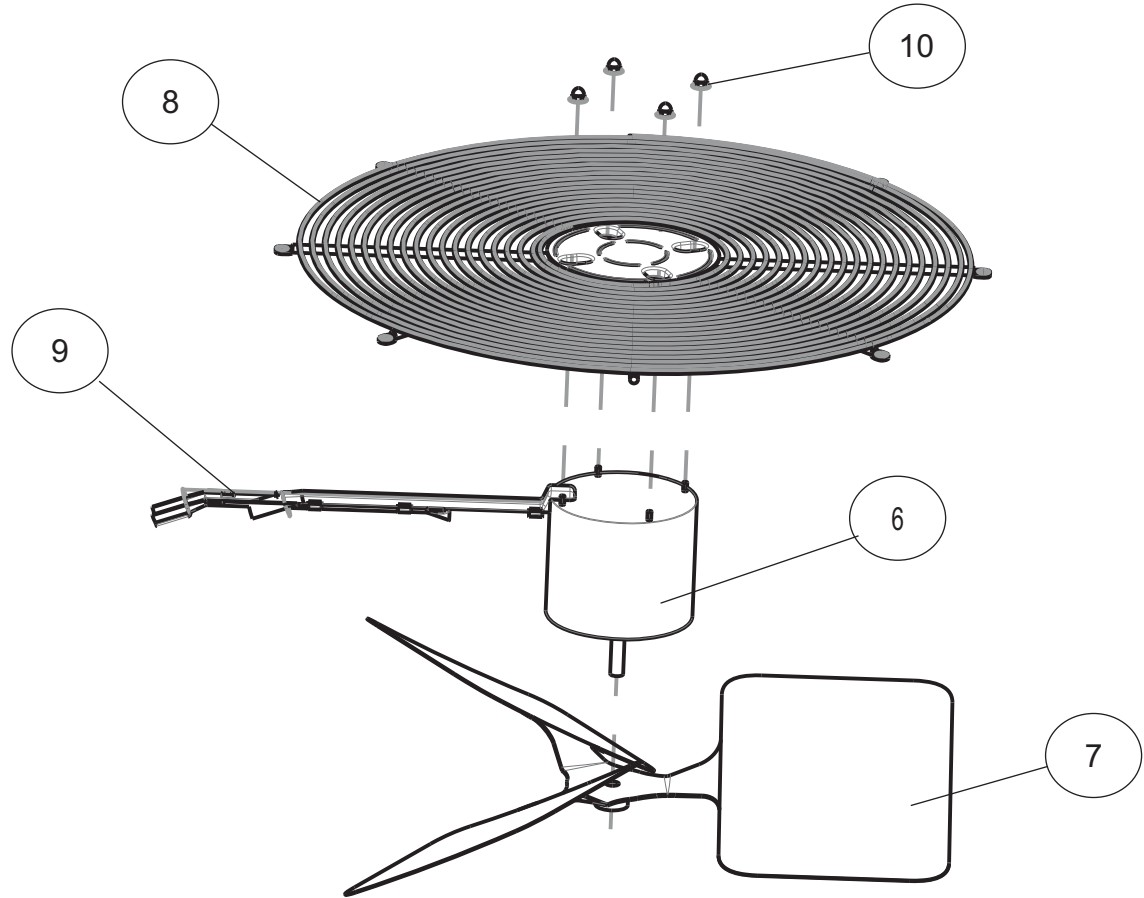
Compressor Section \_ Figure 1

| ITEM               | FIG | DESCRIPTION         | PCE4A3631B     | PCE4B4831B     | PCE4B6031B     | < |
|--------------------|-----|---------------------|----------------|----------------|----------------|---|
| <b>Compressors</b> |     |                     |                |                |                |   |
| 1                  | 1   | Compressor          | S1-01504830007 | S1-01503943004 | S1-01504619004 |   |
| 2                  | 1   | Cushion Mount       | S1-02809519000 | S1-02809519000 | S1-02809519000 |   |
| 3                  | 1   | Bolt, Compressor    | S1-02117116000 | S1-02117116000 | S1-02117116000 |   |
| 4                  | *   | Harness, Compressor | S1-02547314000 | S1-02547313000 | S1-02547313000 |   |

| ITEM               | FIG | DESCRIPTION         | PCE4A3641B     | PCE4B4841B     | PCE4B6041B     | < |
|--------------------|-----|---------------------|----------------|----------------|----------------|---|
| <b>Compressors</b> |     |                     |                |                |                |   |
| 1                  | 1   | Compressor          | S1-01504835007 | S1-01503944004 | S1-01504621004 |   |
| 2                  | 1   | Cushion Mount       | S1-02809519000 | S1-02809519000 | S1-02809519000 |   |
| 3                  | 1   | Bolt, Compressor    | S1-02117116000 | S1-02117116000 | S1-02117116000 |   |
| 4                  | *   | Harness, Compressor | S1-02527140000 | S1-02547313000 | S1-02547313000 |   |

**NOTE:** \*Not Shown  
 New replacement parts shown in **bold** face type at the first printing of parts list dated 4/18.  
 Major components and suggested stocking items are shown with shaded item number.  
 "<" Across from row indicates a change in that row, changed part numbers are red.  
 --- Not applicable to specified model.





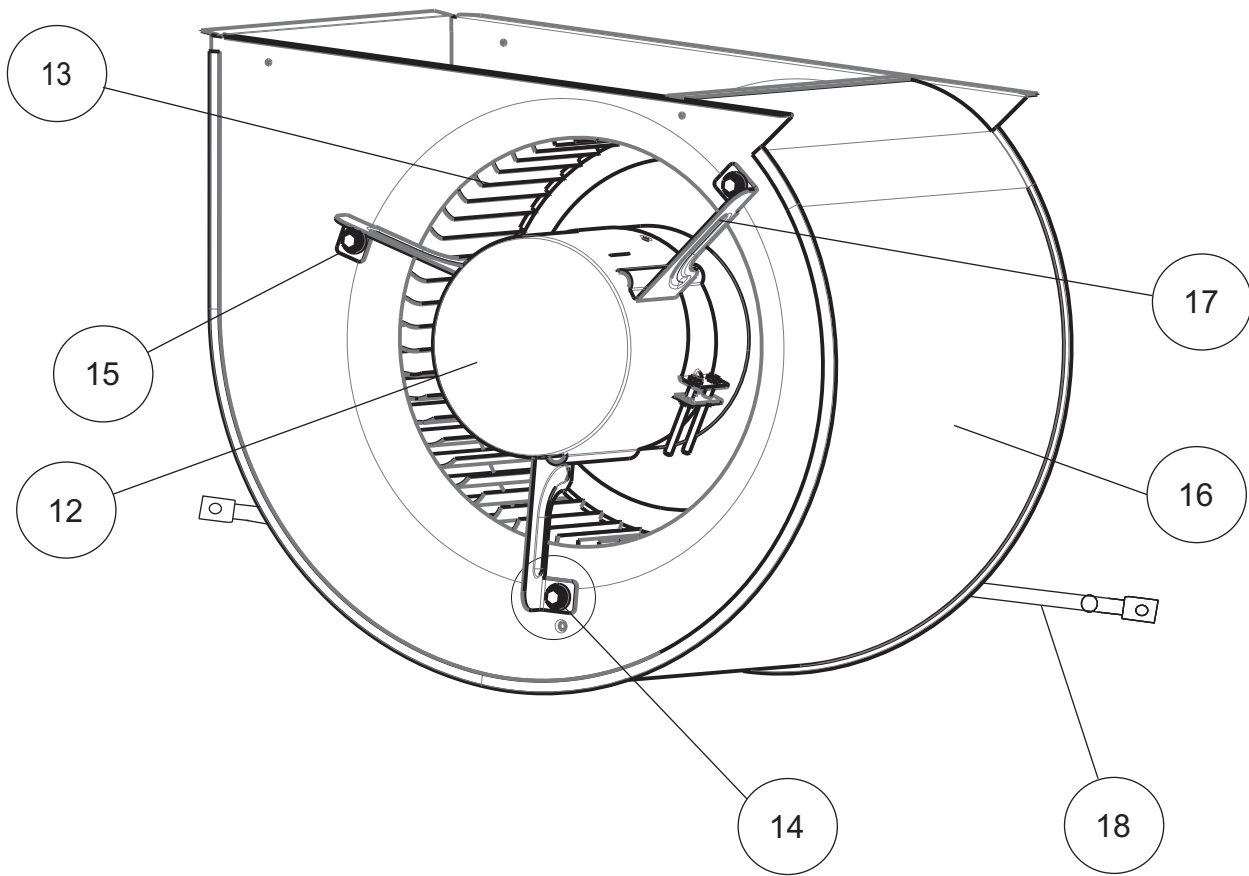
Fan Assembly \_ Figure 2

| ITEM   | FIG | DESCRIPTION    | PCE4A3631B     | PCE4B4831B     | PCE4B6031B     | < |
|--|-----|----------------|----------------|----------------|----------------|---|
| <b>Condenser Fan Motor &amp; Air Moving Components</b> |     |                |                |                |                |   |
| 6  | 2   | Motor, Fan     | S1-02436215000 | S1-02436216000 | S1-02436216000 |   |
| 7  | 2   | Blade, Fan     | S1-02642434000 | S1-02647782000 | S1-02647782000 |   |
| 8  | 2   | Guard, Fan     | S1-02647770000 | S1-02647771000 | S1-02647771000 |   |
| 9  | 2   | Wireway        | S1-02816469000 | S1-02816470000 | S1-02816470000 |   |
| 10   | 2   | Kit, Acorn Nut | S1-36390117700 | S1-36390117700 | S1-36390117700 |   |

| ITEM   | FIG | DESCRIPTION    | PCE4A3641B     | PCE4B4841B     | PCE4B6041B     | < |
|--|-----|----------------|----------------|----------------|----------------|---|
| <b>Condenser Fan Motor &amp; Air Moving Components</b> |     |                |                |                |                |   |
| 6  | 2   | Motor, Fan     | S1-02436314000 | S1-02436315000 | S1-02436315000 |   |
| 7  | 2   | Blade, Fan     | S1-02642434000 | S1-02647782000 | S1-02647782000 |   |
| 8  | 2   | Guard, Fan     | S1-02647770000 | S1-02647771000 | S1-02647771000 |   |
| 9  | 2   | Wireway        | S1-02816469000 | S1-02816470000 | S1-02816470000 |   |
| 10   | 2   | Kit, Acorn Nut | S1-36390117700 | S1-36390117700 | S1-36390117700 |   |

**NOTE:** \*Not Shown  
 New replacement parts shown in **bold** face type at the first printing of parts list dated 4/18.  
 Major components and suggested stocking items are shown with shaded item number.  
 "<" Across from row indicates a change in that row, changed part numbers are red.  
 --- Not applicable to specified model.





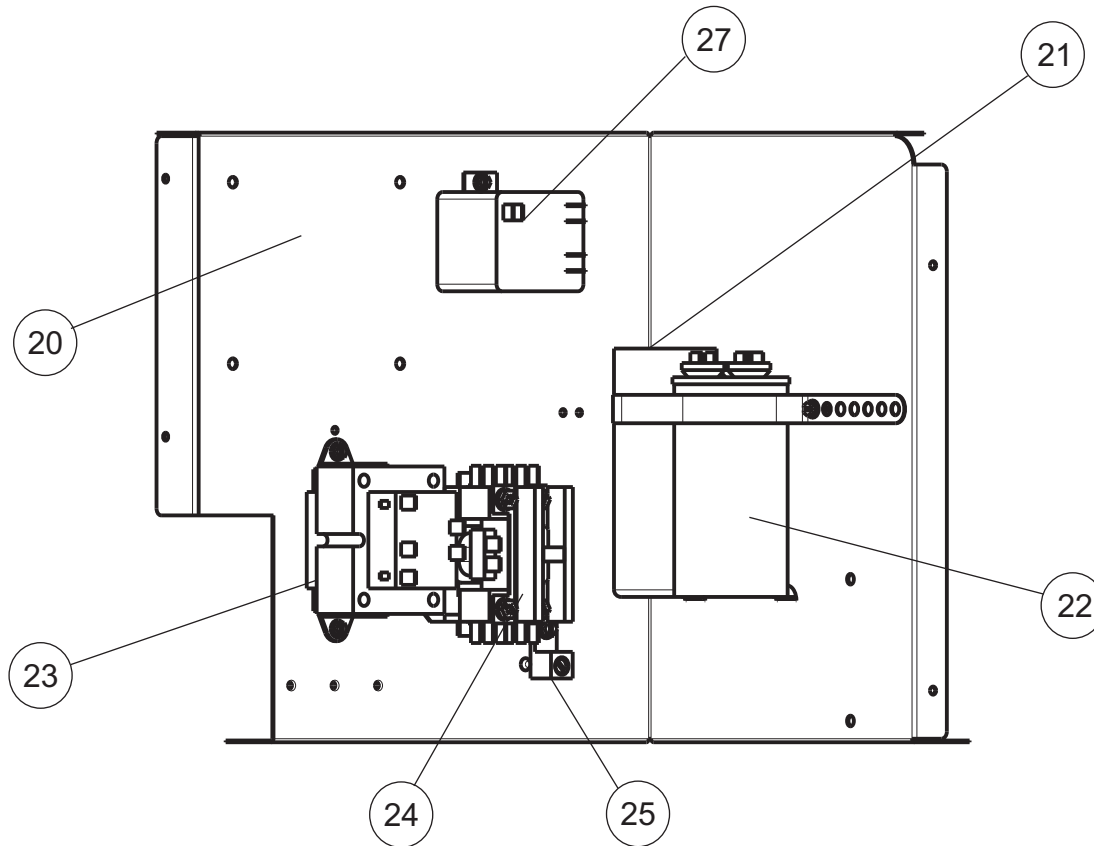
Indoor Blower Section \_ Figure 3

| ITEM   | FIG | DESCRIPTION                    | PCE4A3631B     | PCE4B4831B     | PCE4B6031B     | < |
|--|-----|--------------------------------|----------------|----------------|----------------|---|
| <b>Indoor Blower Motor &amp; Air Moving Components</b> |     |                                |                |                |                |   |
| 12   | 3   | Motor, Blower, Programmed      | S1-32436221513 | S1-32436222515 | S1-32436223516 |   |
| 13   | 3   | Wheel, Blower                  | S1-02647767000 | S1-02647767000 | S1-02647767000 |   |
| 14   | 3   | Grommet, Motor Mount (3 Req'd) | S1-02814740000 | S1-02814740000 | S1-02814740000 |   |
| 15   | 3   | Ferrule, Motor Mount (3 Req'd) | S1-02320541000 | S1-02320541000 | S1-02320541000 |   |
| 16   | 3   | Housing, Blower                | S1-37327996002 | S1-37327996002 | S1-37327996002 |   |
| 17   | 3   | Assembly, Motor Mount          | S1-37319831002 | S1-37319831002 | S1-37319831002 |   |
| 18   | 3   | Support, Blower                | S1-02647774000 | S1-02647774000 | S1-02647774000 |   |

| ITEM   | FIG | DESCRIPTION                    | PCE4A3641B     | PCE4B4841B     | PCE4B6041B     | < |
|--|-----|--------------------------------|----------------|----------------|----------------|---|
| <b>Indoor Blower Motor &amp; Air Moving Components</b> |     |                                |                |                |                |   |
| 12   | 3   | Motor, Blower, Programmed      | S1-32436316540 | S1-32436317541 | S1-32436317542 |   |
| 13   | 3   | Wheel, Blower                  | S1-02647767000 | S1-02647767000 | S1-02647767000 |   |
| 14   | 3   | Grommet, Motor Mount (3 Req'd) | S1-02814740000 | S1-02814740000 | S1-02814740000 |   |
| 15   | 3   | Ferrule, Motor Mount (3 Req'd) | S1-02320541000 | S1-02320541000 | S1-02320541000 |   |
| 16   | 3   | Housing, Blower                | S1-37327996002 | S1-37327996002 | S1-37327996002 |   |
| 17   | 3   | Assembly, Motor Mount          | S1-37319831002 | S1-37319831002 | S1-37319831002 |   |
| 18   | 3   | Support, Blower                | S1-02647774000 | S1-02647774000 | S1-02647774000 |   |

**NOTE:** \*Not Shown  
 New replacement parts shown in **bold** face type at the first printing of parts list dated 4/18.  
 Major components and suggested stocking items are shown with shaded item number.  
 "<" Across from row indicates a change in that row, changed part numbers are red.  
 --- Not applicable to specified model.





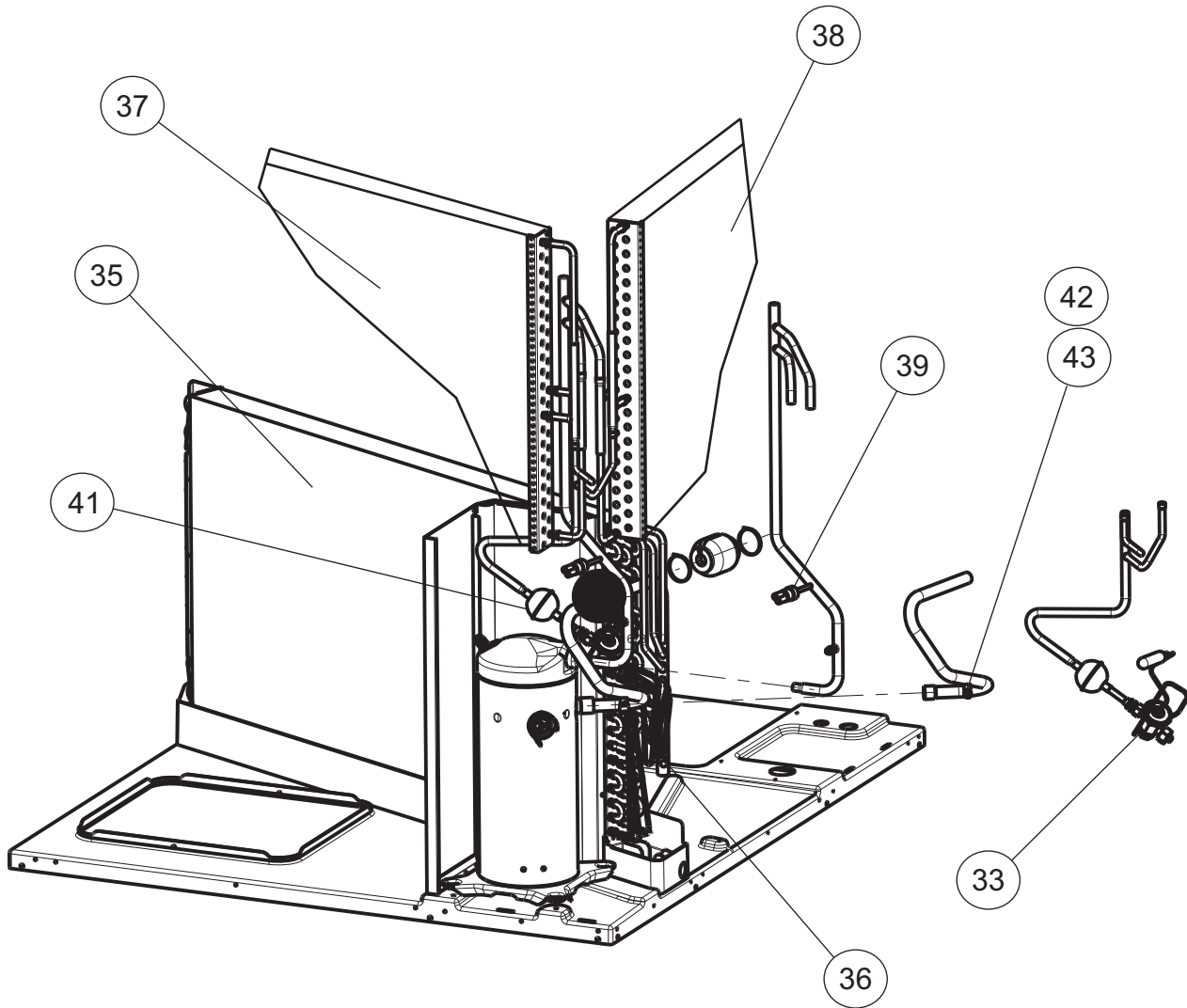
**Electric Box \_ Section 4**

| ITEM                | FIG | DESCRIPTION              | PCE4A3631B     | PCE4B4831B     | PCE4B6031B     | < |
|---------------------|-----|--------------------------|----------------|----------------|----------------|---|
| <b>Electric Box</b> |     |                          |                |                |                |   |
| 20                  | 4   | Panel, Control, Electric | S1-07339417001 | S1-07339417001 | S1-07339417001 |   |
| 21                  | 4   | Capacitor, Start         | ---            | ---            | ---            |   |
| 22                  | 4   | Capacitor, Run           | S1-02420043700 | S1-02435813000 | S1-02435813000 |   |
| 23                  | 4   | Transformer              | S1-02525973700 | S1-02525973700 | S1-02525973700 |   |
| 24                  | 4   | Contactor                | S1-02435803000 | S1-02435803000 | S1-02435803000 |   |
| 25                  | 4   | Lug, Electrical          | S1-02521798000 | S1-02521798000 | S1-02521798000 |   |
| 26                  | *   | Harness, Main Wiring     | S1-02547291000 | S1-02547291000 | S1-02547291000 |   |
| 27                  | 4   | Relay, Start             | ---            | ---            | ---            |   |
| 28                  | *   | Diagram, Wiring          | 5146413        | 5146413        | 5146413        |   |

| ITEM                | FIG | DESCRIPTION              | PCE4A3641B     | PCE4B4841B     | PCE4B6041B     | < |
|---------------------|-----|--------------------------|----------------|----------------|----------------|---|
| <b>Electric Box</b> |     |                          |                |                |                |   |
| 20                  | 4   | Panel, Control, Electric | S1-07339417001 | S1-07339417001 | S1-07339417001 |   |
| 21                  | 4   | Capacitor, Start         | ---            | ---            | ---            |   |
| 22                  | 4   | Capacitor, Run           | S1-02420062700 | S1-02435813000 | S1-02435813000 |   |
| 23                  | 4   | Transformer              | S1-02525974700 | S1-02525974700 | S1-02525974700 |   |
| 24                  | 4   | Contactor                | S1-02435803000 | S1-02435803000 | S1-02435803000 |   |
| 25                  | 4   | Lug, Electrical          | S1-02521798000 | S1-02521798000 | S1-02521798000 |   |
| 26                  | *   | Harness, Main Wiring     | S1-02547291000 | S1-02547291000 | S1-02547291000 |   |
| 27                  | 4   | Relay, Start             | ---            | ---            | ---            |   |
| 28                  | *   | Diagram, Wiring          | 5158116        | 5158116        | 5158116        |   |

**NOTE:** \*Not Shown  
 New replacement parts shown in **bold** face type at the first printing of parts list dated 4/18.  
 Major components and suggested stocking items are shown with shaded item number.  
 "<" Across from row indicates a change in that row, changed part numbers are red.  
 --- Not applicable to specified model.





Evaporator, Condenser Coil Section \_ Figure 5

| ITEM  | FIG | DESCRIPTION                | PCE4A3631B     | PCE4B4831B     | PCE4B6031B     | < |
|---|-----|----------------------------|----------------|----------------|----------------|---|
| <b>Evaporator Coil, Condenser Coil, and Piping Components</b> |     |                            |                |                |                |   |
| 33  | 5   | TXV, Liquid Line           | S1-02212968000 | S1-02212997000 | S1-02212971000 |   |
| 34*   | 5   | Stub, Inlet                | S1-02212972000 | S1-02212972000 | S1-02212972000 |   |
| 35  | 5   | Coil, Evaporator           | S1-37339393002 | S1-37339393003 | S1-37339393003 |   |
| 36  | 5   | Distributor (Evap)         | S1-02212974000 | S1-02212974000 | S1-02212974000 |   |
| 37  | 5   | Coil, Condenser, LH        | S1-37339381001 | S1-37339381003 | S1-37339381005 |   |
| 38  | 5   | Coil, Condenser, RH        | S1-37339381006 | S1-37339381008 | S1-37339381010 |   |
| 39  | 5   | Switch, High Pressure      | S1-02545253000 | S1-02545253000 | S1-02545253000 |   |
| 40*   | 5   | Washer, TXV                | S1-02131419000 | S1-02131419000 | S1-02131419000 |   |
| 41  | 5   | Filter Drier               | S1-400437      | S1-400437      | S1-400437      |   |
| 42  | 5   | Valve, Schraeder (2 Req'd) | S1-02202475700 | S1-02202475700 | S1-02202475700 |   |
| 43  | 5   | Cap, Seal (2 Req'd)        | S1-02310745000 | S1-02310745000 | S1-02310745000 |   |
| 44  |     |                            |                |                |                |   |

| ITEM  | FIG | DESCRIPTION                | PCE4A3641B     | PCE4B4841B     | PCE4B6041B     | < |
|---|-----|----------------------------|----------------|----------------|----------------|---|
| <b>Evaporator Coil, Condenser Coil, and Piping Components</b> |     |                            |                |                |                |   |
| 33  | 5   | TXV, Liquid Line           | S1-02527177000 | S1-02212997000 | S1-02212971000 |   |
| 34*   | 5   | Stub, Inlet                | S1-02212972000 | S1-02212972000 | S1-02212972000 |   |
| 35  | 5   | Coil, Evaporator           | S1-37339393002 | S1-37339393003 | S1-37339393003 |   |
| 36  | 5   | Distributor (Evap)         | S1-02212974000 | S1-02212974000 | S1-02212974000 |   |
| 37  | 5   | Coil, Condenser, LH        | S1-37339381001 | S1-37339381003 | S1-37339381005 |   |
| 38  | 5   | Coil, Condenser, RH        | S1-37339381006 | S1-37339381008 | S1-37339381010 |   |
| 39  | 5   | Switch, High Pressure      | S1-02545253000 | S1-02545253000 | S1-02545253000 |   |
| 40*   | 5   | Washer, TXV                | S1-02131419000 | S1-02131419000 | S1-02131419000 |   |
| 41  | 5   | Filter Drier               | S1-400437      | S1-400437      | S1-400437      |   |
| 42  | 5   | Valve, Schraeder (2 Req'd) | S1-02202475700 | S1-02202475700 | S1-02202475700 |   |
| 43  | 5   | Cap, Seal (2 Req'd)        | S1-02310745000 | S1-02310745000 | S1-02310745000 |   |
| 44  |     |                            |                |                |                |   |

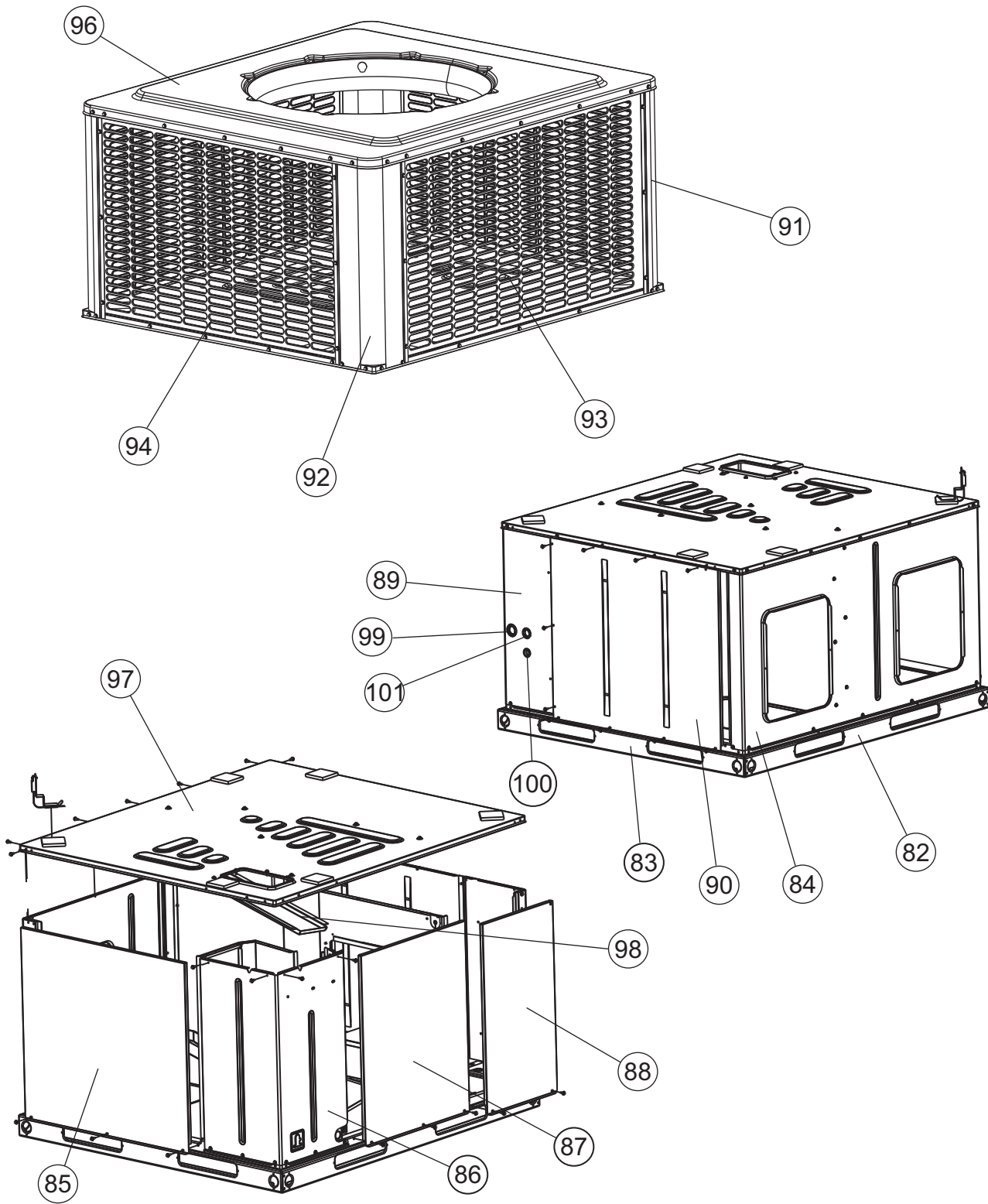
**NOTE:** \*Not ShownNew replacement parts shown in **bold** face type at the first printing of parts list dated 4/18.

Major components and suggested stocking items are shown with shaded item number.

"←" Across from row indicates a change in that row, changed part numbers are red.

--- Not applicable to specified model.





Outside Sheet Metal and Components \_ Figure 6

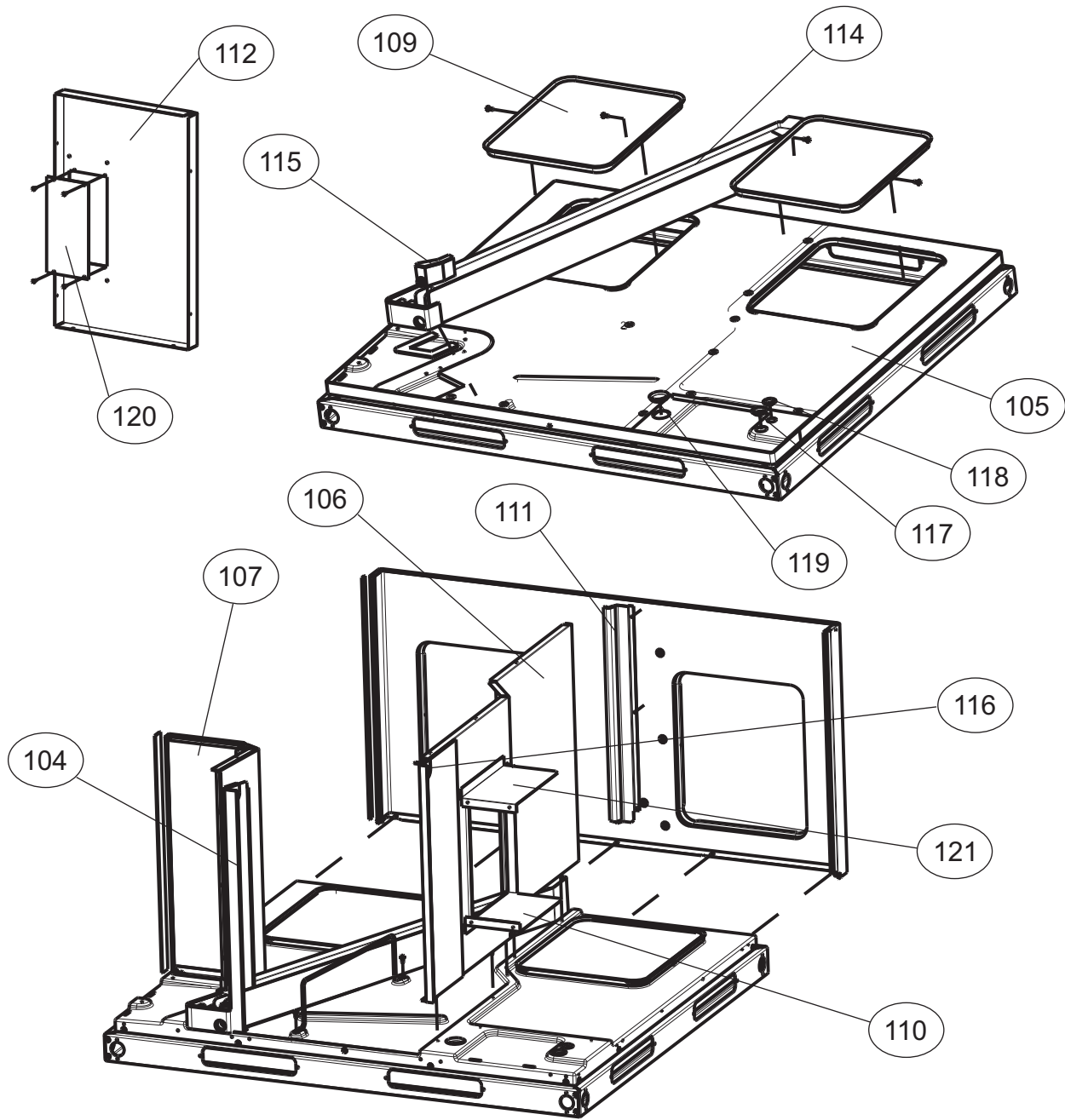


| ITEM                                    | FIG | DESCRIPTION                         | PCE4A3631B            | PCE4B4831B            | PCE4B6031B            |
|---|-----|-------------------------------------|-----------------------|-----------------------|-----------------------|
| <b>Outer Sheet Metal and Components</b> |     |                                     |                       |                       |                       |
| 82                                      | 6   | Base Rail, Front and Rear (2 Req'd) | S1-07327986001        | S1-07327986001        | S1-07327986001        |
| 83                                      | 6   | Base Rail, Side (2 Req'd)           | S1-07327986003        | S1-07327986002        | S1-07327986002        |
| 84                                      | 6   | Panel Assy, Rear Duct               | S1-37327989002        | S1-37327989001        | S1-37327989001        |
| 85                                      | 6   | Panel Assy, Coil/Filter Access      | S1-37327990001        | S1-37327990002        | S1-37327990002        |
| 86                                      | 6   | Panel, Compressor Access            | S1-07339375001        | S1-07339375001        | S1-07339375001        |
| 87                                      | 6   | Panel Assy, Blower Access           | <b>S1-07339498001</b> | <b>S1-07339498001</b> | <b>S1-07339498001</b> |
| 88                                      | 6   | Panel, Burner/Control Access        | <b>S1-07339498002</b> | <b>S1-07339498002</b> | <b>S1-07339498002</b> |
| 89                                      | 6   | Panel, Electric Utility             | S1-07339379001        | S1-07339379001        | S1-07339379001        |
| 90                                      | 6   | Panel Assy, Heat Exchger Access     | S1-37327992001        | S1-37327992002        | S1-37327992002        |
| 91                                      | 6   | Post, Corner, Small (2 Req'd)       | S1-07339377003        | S1-07339377006        | S1-07339377007        |
| 92                                      | 6   | Post, Corner, Large (2 Req'd)       | S1-07339376003        | S1-07339376006        | S1-07339376007        |
| 93                                      | 6   | Guard, Coil, Front & Rear (2 Req'd) | S1-07339371003        | S1-07339371006        | S1-07339371007        |
| 94                                      | 6   | Guard, Coil, Side (2 Req'd)         | S1-07339374003        | S1-07339372006        | S1-07339372007        |
| 95                                      | 6   |                                     |                       |                       |                       |
| 96                                      | 6   | Panel, Top                          | S1-07339378002        | S1-07339378001        | S1-07339378001        |
| 97                                      | 6   | Panel Assy, Mid                     | S1-37327993001        | S1-37327993002        | S1-37327993002        |
| 98                                      | 6   | Panel, Coil Block-off               | S1-07339388002        | S1-07339388001        | S1-07339388001        |
| 99                                      | 6   | Grommet, 1-3/8" Hole                | S1-02814791000        | S1-02814791000        | S1-02814791000        |
| 100                                     | 6   | Plug, Plastic, 1-3/32 Inch          | S1-02816466000        | S1-02816466000        | S1-02816466000        |
| 101                                     | 6   | Plug, Seal 7/8 Inch                 | S1-02815853000        | S1-02815853000        | S1-02815853000        |

| ITEM                                    | FIG | DESCRIPTION                         | PCE4A3641B            | PCE4B4841B            | PCE4B6041B            |
|---|-----|-------------------------------------|-----------------------|-----------------------|-----------------------|
| <b>Outer Sheet Metal and Components</b> |     |                                     |                       |                       |                       |
| 82                                      | 6   | Base Rail, Front and Rear (2 Req'd) | S1-07327986001        | S1-07327986001        | S1-07327986001        |
| 83                                      | 6   | Base Rail, Side (2 Req'd)           | S1-07327986003        | S1-07327986002        | S1-07327986002        |
| 84                                      | 6   | Panel Assy, Rear Duct               | S1-37327989002        | S1-37327989001        | S1-37327989001        |
| 85                                      | 6   | Panel Assy, Coil/Filter Access      | S1-37327990001        | S1-37327990002        | S1-37327990002        |
| 86                                      | 6   | Panel, Compressor Access            | S1-07339375001        | S1-07339375001        | S1-07339375001        |
| 87                                      | 6   | Panel Assy, Blower Access           | <b>S1-07339498001</b> | <b>S1-07339498001</b> | <b>S1-07339498001</b> |
| 88                                      | 6   | Panel, Burner/Control Access        | <b>S1-07339498002</b> | <b>S1-07339498002</b> | <b>S1-07339498002</b> |
| 89                                      | 6   | Panel, Electric Utility             | S1-07339379001        | S1-07339379001        | S1-07339379001        |
| 90                                      | 6   | Panel Assy, Heat Exchger Access     | S1-37327992001        | S1-37327992002        | S1-37327992002        |
| 91                                      | 6   | Post, Corner, Small (2 Req'd)       | S1-07339377003        | S1-07339377006        | S1-07339377007        |
| 92                                      | 6   | Post, Corner, Large (2 Req'd)       | S1-07339376003        | S1-07339376006        | S1-07339376007        |
| 93                                      | 6   | Guard, Coil, Front & Rear (2 Req'd) | S1-07339371003        | S1-07339371006        | S1-07339371007        |
| 94                                      | 6   | Guard, Coil, Side (2 Req'd)         | S1-07339374003        | S1-07339372006        | S1-07339372007        |
| 95                                      | 6   |                                     |                       |                       |                       |
| 96                                      | 6   | Panel, Top                          | S1-07339378002        | S1-07339378001        | S1-07339378001        |
| 97                                      | 6   | Panel Assy, Mid                     | S1-37327993001        | S1-37327993002        | S1-37327993002        |
| 98                                      | 6   | Panel, Coil Block-off               | S1-07339388002        | S1-07339388001        | S1-07339388001        |
| 99                                      | 6   | Grommet, 1-3/8" Hole                | S1-02814791000        | S1-02814791000        | S1-02814791000        |
| 100                                     | 6   | Plug, Plastic, 1-3/32 Inch          | S1-02816466000        | S1-02816466000        | S1-02816466000        |
| 101                                     | 6   | Plug, Seal 7/8 Inch                 | S1-02815853000        | S1-02815853000        | S1-02815853000        |

**NOTE:** \*Not Shown  
 New replacement parts shown in **bold** face type at the first printing of parts list dated 4/18.  
 Major components and suggested stocking items are shown with shaded item number.  
 "<" Across from row indicates a change in that row, changed part numbers are red.  
 --- Not applicable to specified model.





Inner Sheet Metal and Components \_ Figure 7

| ITEM                                    | FIG | DESCRIPTION                                | PCE4A3631B            | PCE4B4831B            | PCE4B6031B            | < |
|---|-----|--|-----------------------|-----------------------|-----------------------|---|
| <b>Inner Sheet Metal and Components</b> |     |  |                       |                       |                       |   |
| 104                                     | 7   | Block-off, Coil, Front                     | <b>S1-07339499001</b> | <b>S1-07339499001</b> | <b>S1-07339499001</b> |   |
| 105                                     | 7   | Base Pan Assy                              | S1-37327988002        | S1-37327988001        | S1-37327988001        |   |
| 106                                     | 7   | Deck, Blower                               | <b>S1-07339499001</b> | <b>S1-07339499003</b> | <b>S1-07339499003</b> |   |
| 107                                     | 7   | Panel Assy, Compressor Barrier             | S1-37339446001        | S1-37339446001        | S1-37339446001        |   |
| 108                                     |     |  |                       |                       |                       |   |
| 109                                     | 7   | Panel Assy, Duct Cover (2 Req'd)           | S1-37327995001        | S1-37327995002        | S1-37327995002        |   |
| 110                                     | 7   | Panel, Heater Chute, Bottom                | S1-07339419003        | ---                   | ---                   |   |
|   |     | Panel, Heater Chute                        | ---                   | S1-07339419001        | S1-07339419001        |   |
| 111                                     | 7   | Block-off, Coil, Rear                      | S1-07339386003        | S1-07339386003        | S1-07339386003        |   |
| 112                                     | 7   | Panel, Vestibule, Electric                 | S1-07339418001        | S1-07339418001        | S1-07339418001        |   |
| 113                                     |     |  |                       |                       |                       |   |
| 114                                     | 7   | Pan, Drain                                 | S1-03200223000        | S1-03200223000        | S1-03200223000        |   |
| 115                                     | 7   | Insert, Drain Pan                          | S1-02817076000        | S1-02817076000        | S1-02817076000        |   |
| 116                                     | 7   | Grommet, .5" Dia (Utility Panel) (2 Req'd) | S1-02530823000        | S1-02530823000        | S1-02530823000        |   |
| 117                                     | 7   | Plug, Plastic, 1-3/32 Inch                 | S1-02816466000        | S1-02816466000        | S1-02816466000        |   |
| 118                                     | 7   | Plug, Seal 7/8 Inch                        | S1-02815853000        | S1-02815853000        | S1-02815853000        |   |
| 119                                     | 7   | Grommet, 1-5/8"                            | S1-02814787000        | S1-02814787000        | S1-02814787000        |   |
| 120                                     | 7   | Cover, Heater                              | S1-07339412001        | S1-07339412001        | S1-07339412001        |   |
| 121                                     | 7   | Panel, Heater Chute, Top                   | S1-07339419002        | ---                   | ---                   |   |

| ITEM                                    | FIG | DESCRIPTION                                | PCE4A3641B            | PCE4B4841B            | PCE4B6041B            | < |
|---|-----|--|-----------------------|-----------------------|-----------------------|---|
| <b>Inner Sheet Metal and Components</b> |     |  |                       |                       |                       |   |
| 104                                     | 7   | Block-off, Coil, Front                     | <b>S1-07339499001</b> | <b>S1-07339499001</b> | <b>S1-07339499001</b> |   |
| 105                                     | 7   | Base Pan Assy                              | S1-37327988002        | S1-37327988001        | S1-37327988001        |   |
| 106                                     | 7   | Deck, Blower                               | <b>S1-07339499001</b> | <b>S1-07339499003</b> | <b>S1-07339499003</b> |   |
| 107                                     | 7   | Panel Assy, Compressor Barrier             | S1-37339446001        | S1-37339446001        | S1-37339446001        |   |
| 108                                     |     |  |                       |                       |                       |   |
| 109                                     | 7   | Panel Assy, Duct Cover (2 Req'd)           | S1-37327995001        | S1-37327995002        | S1-37327995002        |   |
| 110                                     | 7   | Panel, Heater Chute, Bottom                | S1-07339419003        | ---                   | ---                   |   |
|   |     | Panel, Heater Chute                        | ---                   | S1-07339419001        | S1-07339419001        |   |
| 111                                     | 7   | Block-off, Coil, Rear                      | S1-07339386003        | S1-07339386003        | S1-07339386003        |   |
| 112                                     | 7   | Panel, Vestibule, Electric                 | S1-07339418001        | S1-07339418001        | S1-07339418001        |   |
| 113                                     |     |  |                       |                       |                       |   |
| 114                                     | 7   | Pan, Drain                                 | S1-03200223000        | S1-03200223000        | S1-03200223000        |   |
| 115                                     | 7   | Insert, Drain Pan                          | S1-02817076000        | S1-02817076000        | S1-02817076000        |   |
| 116                                     | 7   | Grommet, .5" Dia (Utility Panel) (2 Req'd) | S1-02530823000        | S1-02530823000        | S1-02530823000        |   |
| 117                                     | 7   | Plug, Plastic, 1-3/32 Inch                 | S1-02816466000        | S1-02816466000        | S1-02816466000        |   |
| 118                                     | 7   | Plug, Seal 7/8 Inch                        | S1-02815853000        | S1-02815853000        | S1-02815853000        |   |
| 119                                     | 7   | Grommet, 1-5/8"                            | S1-02814787000        | S1-02814787000        | S1-02814787000        |   |
| 120                                     | 7   | Cover, Heater                              | S1-07339412001        | S1-07339412001        | S1-07339412001        |   |
| 121                                     | 7   | Panel, Heater Chute, Top                   | S1-07339419002        | ---                   | ---                   |   |

| ITEM         | FIG | DESCRIPTION     | ALL MODELS                 |
|--------------|-----|-----------------|----------------------------|
| <b>Misc.</b> |     |                 |                            |
| 125          | *   | Badge, Branding | <b>Consult S1 Acct Rep</b> |
| 126          | *   | Strap, Cable    | S1-02527642000             |

**NOTE:** \*Not Shown  
 New replacement parts shown in **bold** face type at the first printing of parts list dated 4/18.  
 Major components and suggested stocking items are shown with shaded item number.   
 "<" Across from row indicates a change in that row, changed part numbers are red.  
 --- Not applicable to specified model.

**TO ORDER AUTHORIZED FACTORY REPLACEMENT PARTS** - Contact your Source1 HVAC Parts Distributor or visit our website at **[www.Source1Parts.com](http://www.Source1Parts.com)** for a Distributor and Dealer listing.

Subject to change without notice. Published in U.S.A.  
Copyright © 2018 by Johnson Controls, Inc. All rights reserved.

035-26503-001 Rev. A (0418)  
Supersedes: Nothing

---

**York International Corp.**  
**5005 York Drive**  
**Norman, OK 73069**