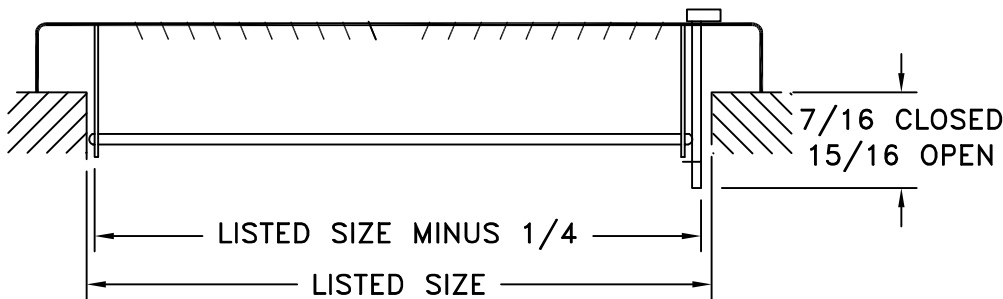
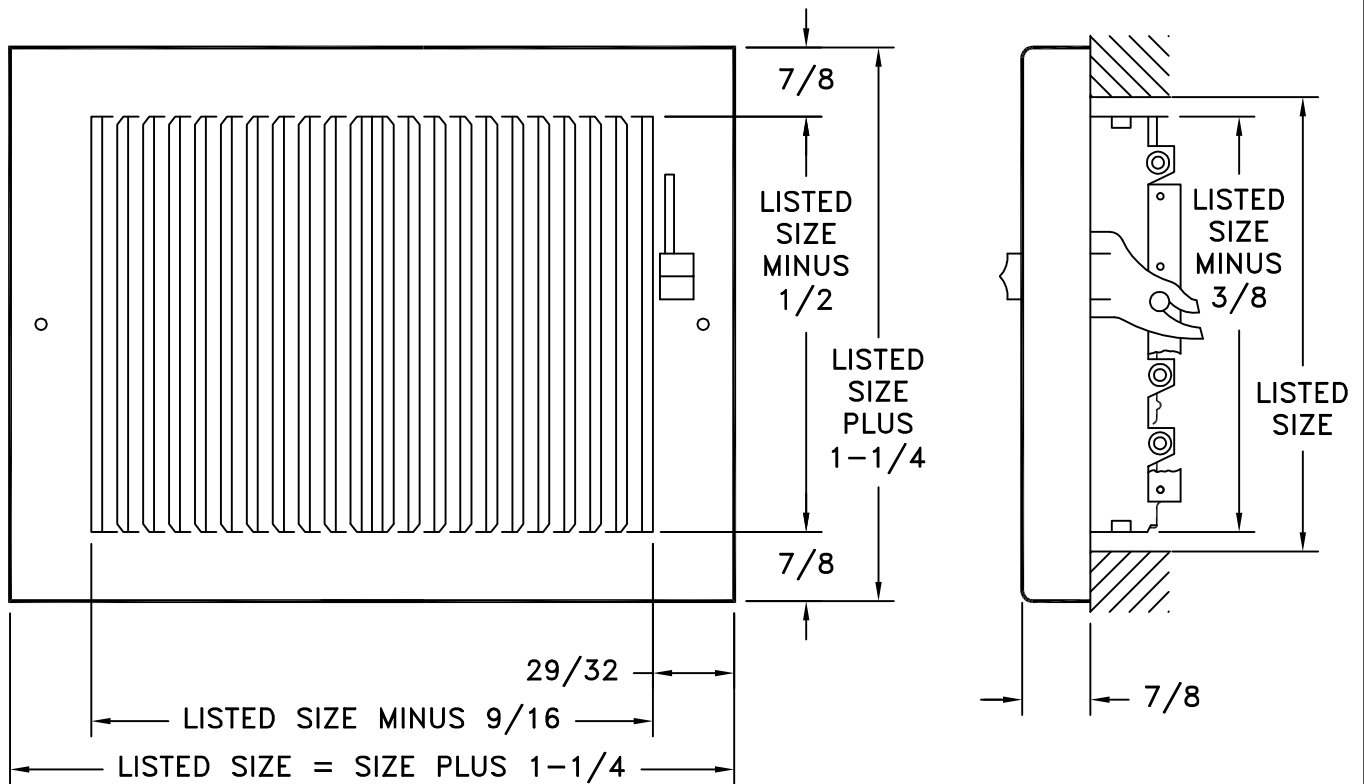


- STEEL CONSTRUCTION
- INTEGRAL MULTI-SHUTTER DAMPER
- 1/3 INCH SPACED FINS SET AT 20 DEGREES
- IDEAL FOR SHALLOW DUCT INSTALLATIONS
- MINIMUM SIZE = 8 X 6
- MAXIMUM SIZE = 14 X 6
- FINISH: WHITE (W) ENAMEL



JOB NAME: _____
 LOCATION: _____
 ARCHITECT: _____
 ENGINEER: _____
 CONTRACTOR: _____

SUBMITTED BY: _____

DATE: 08/15/2013 SD-2030

664
 Steel Baseboard
 2-Way Register