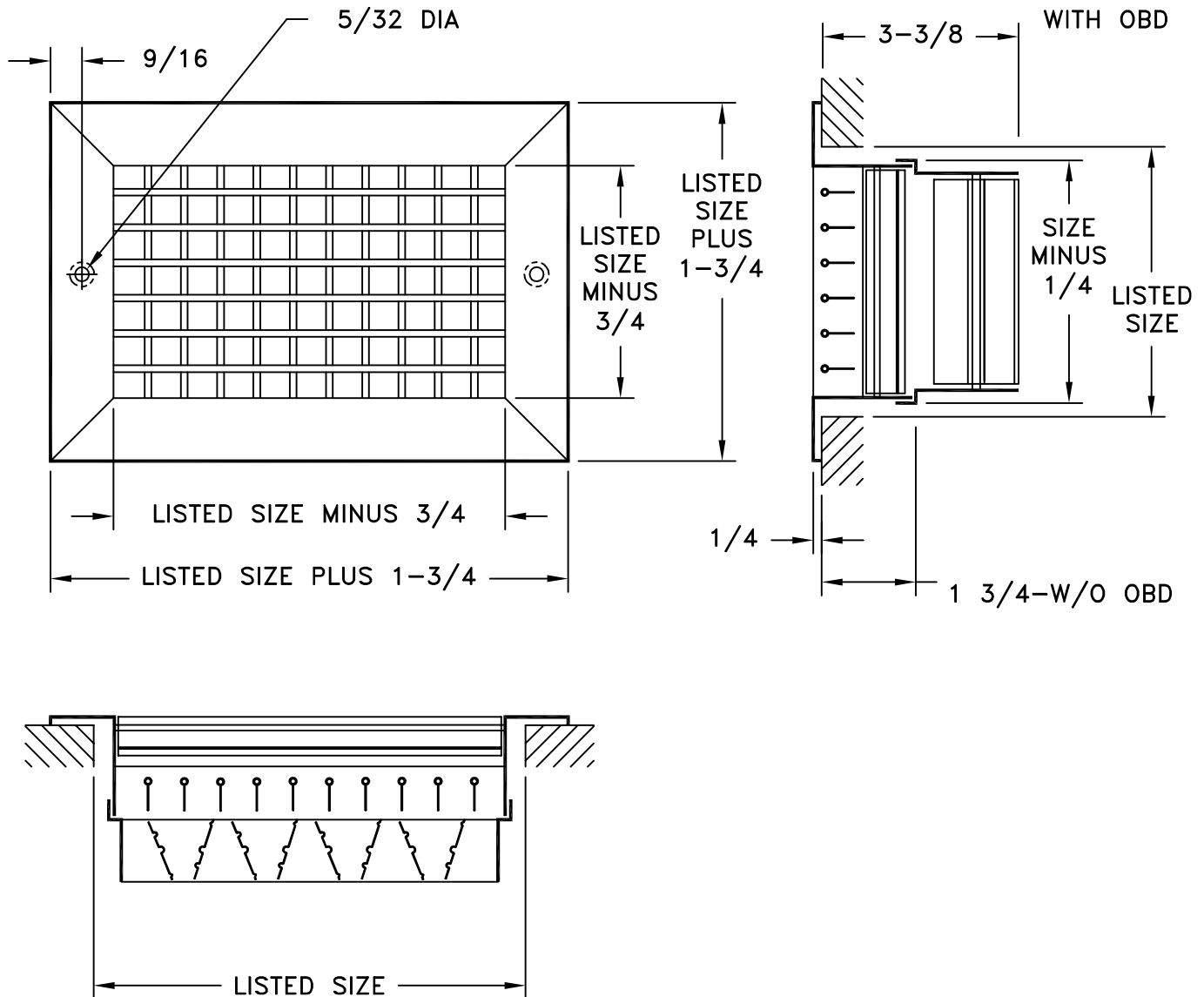


- ALL STEEL CONSTRUCTION
- ADJUSTABLE BARS ON 3/4 INCH CENTERS
- MINIMUM SIZE: 6 X 4
- MAXIMUM SIZE: 48 X 48 ONE PIECE CONSTRUCTION
- AVAILABLE IN 1 INCH INCREMENTS
- FINISH: WHITE (W) ENAMEL



| | | | |
|-------------------|---------------------|-----------------------|---------|
| JOB NAME: _____ | SUBMITTED BY: _____ | DATE: 04/15/2014 | SD-9006 |
| LOCATION: _____ | | 92HVO, 92HVV | |
| ARCHITECT: _____ | | Steel Supply Register | |
| ENGINEER: _____ | | Double Deflection | |
| CONTRACTOR: _____ | | Horizontal Front Bars | |