

Installer's Guide

Single Power Entry Kit

Models:

BAYSPEK060F BAYSPEK063F
 BAYSPEK061E BAYSPEK064E
 BAYSPEK062F BAYSPEK065E

Used With:

See Table 1

⚠ WARNING: HAZARDOUS VOLTAGE - DISCONNECT POWER BEFORE SERVICING

ALL phases of this installation must comply with NATIONAL, STATE AND LOCAL CODES

IMPORTANT — This Document is **customer property** and is to remain with this unit. Please return to service information pack upon completion of work.

Table 1. Used with Heater and Unit Models

SINGLE POWER ENTRY KIT	HEATER MODEL	UNIT MODEL
BAYSPEK060F	BAYHTRV105E	2WC*3024-048A1; 4WC*3018-036A1; 4TC*3018-048A1; 4TCY4024-060A1; 4WCY4024-036A1; 4WCZ6036A1
	BAYHTRV108E	2WC*3024-030A1; 4WC*3018-024A1; 4TC*3018-048A1; 4TCY4024-060A1; 4WCY4024A1
	BAYHTRV110E	4TC*3024-048A1; 4TCY4024-036A1
BAYSPEK061E	BAYHTRV305E	4WC*3036-060A3; 4TC*3036-060A3; 4TCY4036-060A3; 4WCY4036-060A3; 4WCZ6036-060A3
	BAYHTRV308E	4WC*3036-060A3; 4TC*3036-060A3; 4TCY4036-060A3; 4WCY4036-060A3; 4WCZ6036-060A3
	BAYHTRV310E	4WC*3036-048A3; 4TC*3036-060A3; 4TCY4036-060A3; 4WCY4036-048A3; 4WCZ6036-048A3
	BAYHTRV315E	4TC*3036-060A3; 4TCY4036-060A3
	BAYHTRV405E	4WC*3036-060A4; 4TC*3036-060A4; 4WCZ6036-060A4
	BAYHTRV408E	4WC*3036-060A4; 4TC*3036-060A4; 4WCZ6036-060A4
	BAYHTRV410E	4WC*3036-060A4; 4TC*3036-060A4; 4WCZ6036-060A4
	BAYHTRV415E	4WC*3036-060A4; 4TC*3036-060A4; 4WCZ6036-060A4
BAYSPEK062F	BAYHTRV105E	4WC*3042-060A1; 2WC*3060A1; 4TC*3060A1; 4WCY4042-060A1; 4WCZ6048-060A1
	BAYHTRV108E	4TC*3060A1; 2WC*3036-060A1; 4WC*3030-060A1; 4WCY4030-060A1; 4WCZ6036-060A1
	BAYHTRV110E	2WC*3024-060A1; 4WC*3024-060A1; 4TC*3060A1; 4TCY4042-060A1; 4WCY4024-060A1; 4WCZ6036-060A1
BAYSPEK063F	BAYHTRV115E	2WC*3030-060A1; 4WC*3030-060A1; 4TC*3030-060A1; 4TCY4030-060A1; 4WCY4030-060A1; 4WCZ6036-060A1
	BAYHTRV120E	2WC*3048-060A1; 4WC*3042-060A1; 4TC*3048-060A1; 4TCY4048-060A1; 4WCY4042-060A1; 4WCZ6042-060A1
BAYSPEK064E	BAYHTRV315E	4WC*3036-060A3; 4WCY4036-060A3; 4WCZ6036-060A3
	BAYHTRV320E	4WC*3048-060A3; 4TC*3048-060A3; 4TCY4048-060A3; 4WCY4048A-060A3; 4WCZ6048-060A3
BAYSPEK065E	BAYHTRV310E	4WC*3060A3; 4WCY4060A3; 4WCZ6060A3

General

Follow these instructions to install the Single-point Power Entry Kit (SPEK) in single package units described in Table 1 on page 1.

1. Check for any shipping damage, and if any, report it to the carrier immediately.
2. Check the single power entry kit nameplate and compare with Table 1 on page 1. Make certain that the available power supply complies with the particular single power entry kit, heater, and unit model being used.
3. The field electrical connections and wiring must be done in accordance with the "National Electrical Code" and must comply with local electrical codes.

⚠ WARNING

Electrical Shock Hazard! To prevent injury or death due to electrical shock or contact with moving parts, lock unit disconnect switch in open position before servicing unit.

Install Single Power Entry Kit

1. Remove the Control/Heat access panel.
2. Open the louvered Heater Control box door and mount the SPEK inside of the Heater Control box. Secure the SPEK with the screws provided in the kit. See pages 7,8,9,10 for illustrations and wiring diagrams.
3. Insert the included grommet in the hole in the Heater Control box base that leads to the unit Control/Heater compartment. The unit power wires provided with the SPEK will pass through this grommet and be routed up to the unit contactor.
4. Make all electrical connections to the unit and heater in accordance with the appropriate wiring diagram in this instruction and included with the specific SPEK.
5. Place the included SPEK wiring diagram on the inner surface of the Control/Heater access panel next to the unit wiring diagram and extra heater wiring diagram.

IMPORTANT: The two (2) nameplate labels included with the single power entry kit must be attached to the air conditioning unit or heat pump unit as illustrated below.

The smaller label **MUST** be placed over the unit rating nameplate to cover the unit only MIN CKT AMPS and Fuse/Circuit Breaker Size.

The “single power entry installed” nameplate **MUST** be placed over the “heater installed” nameplate.

Check the appropriate kit, heaters and unit combination using the table on page 1.

High Voltage Field Wiring

NOTE: All field wire to be rated 75°C minimum. Maximum field wire size is 2 / 0 AWG.

1. Check to make certain the proper size fuses are installed per the fuse table (located on the wiring diagram) and Tables 2 (page 3), 3 (page 3), and 4 (page 4) for the particular SPEK being used.
2. Remove the required electrical knockout from the unit conduit panel and route the field wires through the unit heater section (not the Control Box section).
3. Connect the power supply to the terminal block or fuse block (depending on SPEK kit being used) on the SPEK. See appropriate wiring diagram for hookup connections. Connect the power supply ground wire to the ground lug on the single power entry kit. The BAYSPEK060E and 061E wire terminals connect to the installed heater terminal block on the Heater Control box base to power the unit.
4. Close the Heater/SPEK control box cover.
5. Reinstall the Control/Heat access panel.
6. Apply power to unit.

Low Voltage Wiring (24 Volts)

All low voltage connections have been made to the heater via polarized plugs. The low voltage controls are connected to the room thermostat from the air conditioner or heat pump low voltage leads. See the field wiring diagram with the unit.

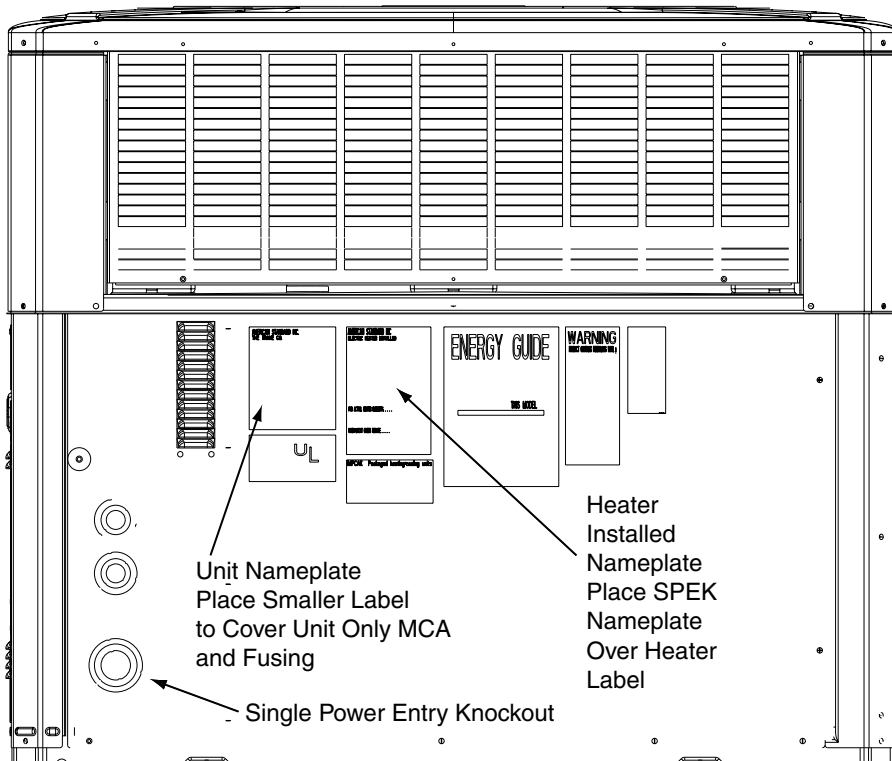


Figure 1. Single Point Power Entry Kit Label Positions

Table 2. BAYSPEK060F Ampacity and Max Fusing/Circuit Breakers

SINGLE POWER ENTRY KIT	HEATER MODEL	CHEC K	UNIT MODEL	MIN CKT. AMP.	MAX OVER CURRENT PROTECT DEVICE	
BAYSPEK060F	BAYHTRV105E		4TC*3018AI	27	30	
			4TC*3024AI	28	30	
			4TC*3030AI	29	35	
			4TC*3036AI	30	35	
			4TC*3042AI	29	45	
			4TC*3048AI	31	50	
			4TCY4024AI	31	35	
			4TCY4030AI	31	35	
			4TCY4036AI	31	40	
			4TCY4036BI	31	40	
			4TCY4042AI	35	50	
			4TCY4042BI	35	50	
			4TCY4048AI	35	50	
			4TCY4048BI	35	50	
			4TCY4060AI	42	60	
			2WC*3024AI	39	40	
			2WC*3030AI	43	45	
			2WC*3036AI	50	60	
			2WC*3042AI	51	60	
			2WC*3048AI	55	60	
			4WC*3018AI	37	40	
			4WC*3024AI	42	45	
			4WC*3024BI	40	40	
			4WC*3030AI	45	50	
			4WC*3036AI	52	60	
			4WCY4024AI	42	45	
			4WCY4030AI	45	50	
			4WCY4036AI	51	60	
		4WCY4036BI	51	60		
		4WCZ6036AI	52	60		
		BAYHTRV108E		4TC*3018AI	43	45
				4TC*3024AI	43	45
				4TC*3030AI	44	45
				4TC*3036AI	45	45
				4TC*3042AI	45	45
				4TC*3048AI	47	50
				4TCY4024AI	47	50
				4TCY4030AI	47	50
				4TCY4036AI	47	50
				4TCY4036BI	47	50
				4TCY4042AI	50	60
				4TCY4042BI	50	60
				4TCY4048AI	50	60
				4TCY4048BI	50	50
				4TCY4060AI	50	60
				2WC*3024AI	54	60
				2WC*3030AI	59	60
			4WC*3018AI	52	60	
			4WC*3024AI	58	60	
			4WC*3024BI	55	60	
		4WCY4024AI	58	60		
	BAYHTRV110E		4TC*3024AI	54	60	
			4TC*3030AI	55	60	
			4TC*3036AI	56	60	
			4TC*3042AI	55	60	
			4TC*3048AI	57	60	
			4TCY4024AI	58	60	
			4TCY4030AI	58	60	
		4TCY4036AI	58	60		
			4TCY4036BI	58	60	

INSTALLER OF THE SINGLE POWER ENTRY KIT MUST CHECK THE APPROPRIATE BOX ABOVE TO RECORD THE KIT, HEATER AND UNIT MODEL NUMBERS INSTALLED. POWER SUPPLY VOLTAGE TO UNIT AND HEATER MUST BE IDENTICAL. CHECK THE UNIT AND HEATER NAMEPLATES TO DETERMINE THE CORRECT POWER SUPPLY VOLTAGE. CHECK HEATER NAMEPLATE TO DETERMINE HEATER KW AND CURRENT RATING. MINIMUM INSTALLATION CLEARANCE TO COMBUSTIBLE MATERIAL WHEN ELECTRIC HEATERS ARE INSTALLED: UNIT CABINET-0", PLENUM-0" AND OUTLET DUCT- 0".
 * INDICATES AN ALPHA CHARACTER IN THE FOURTH DIGIT OF THE UNIT MODEL.

PLACE ABOVE LABEL OVER "ELECTRIC HEATER INSTALLED" NAMEPLATE ON UNIT

D932299P04

Table 3. BAYSPEK061E Ampacity and Max Fusing/Circuit Breakers

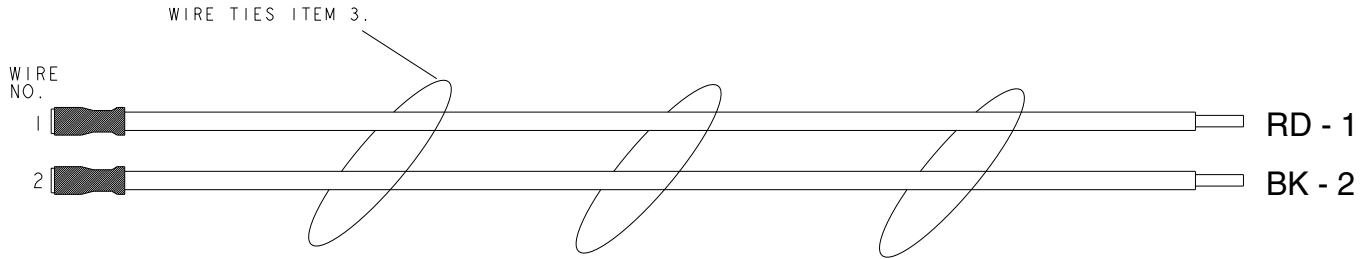
SINGLE POWER ENTRY KIT	HEATER MODEL	UNIT MODEL	MIN CKT. AMP.	MAX OVER CURRENT PROTECT DEVICE
BAYSPEK061E	BAYHTRV305E	4TC*3036A3	18	30
		4TC*3048A3	24	35
		4TC*3060A3	32	45
		4TCY4036A3	20	30
		4TCY4048A3	26	40
		4TCY4060A3	31	45
		4WC*3036A3	33	40
		4WC*3048A3	39	50
		4WC*3060A3	47	60
		4WCY4036A3	35	40
		4WCY4048A3	41	50
		4WCY4060A3	46	60
		4WCZ6036A3	34	40
		4WCZ6048A3	40	50
		4WCZ6060A3	45	60
	BAYHTRV308E	4TC*3036A3	27	30
		4TC*3048A3	29	35
		4TC*3060A3	34	45
		4TCY4036A3	29	30
		4TCY4048A3	33	40
		4TCY4060A3	33	45
		4WC*3036A3	42	45
		4WC*3048A3	48	50
		4WC*3060A3	56	60
		4WCY4036A3	44	50
		4WCY4048A3	50	60
		4WCY4060A3	55	60
		4WCZ6036A3	43	45
		4WCZ6048A3	49	50
		4WCZ6060A3	54	60
	BAYHTRV310E	4TC*3036A3	33	35
		4TC*3048A3	35	35
		4TC*3060A3	40	45
		4TCY4036A3	35	35
		4TCY4048A3	39	40
		4TCY4060A3	39	45
		4WC*3036A3	48	50
		4WC*3048A3	54	60
		4WCY4036A3	50	50
		4WCY4048A3	56	60
	BAYHTRV315E	4TC*3036A3	48	50
		4TC*3048A3	50	50
		4TC*3060A3	55	60
		4TCY4036A3	50	50
		4TCY4048A3	54	60
	4TCY4060A3	54	60	

SINGLE POWER ENTRY KIT	HEATER MODEL	UNIT MODEL	MIN CKT. AMP.	MAX OVER CURRENT PROTECT DEVICE
BAYSPEK061E	BAYHTRV405E	4TC*3036A4	10	15
		4TC*3048A4	12	15
		4TC*3060A4	20	25
		4WC*3036A4	16	20
		4WC*3048A4	19	25
		4WC*3060A4	27	30
		4WCZ6036A4	18	20
		4WCZ6048A4	23	25
		4WCZ6060A4	27	30
		4TC*3036A4	14	15
	BAYHTRV408E	4TC*3048A4	15	15
		4TC*3060A4	22	25
		4WC*3036A4	21	25
		4WC*3048A4	24	25
		4WC*3060A4	32	35
		4WCZ6036A4	22	25
		4WCZ6048A4	27	30
		4WCZ6060A4	31	35
		4TC*3036A4	17	20
		4TC*3048A4	18	20
	BAYHTRV410E	4TC*3060A4	25	25
		4WC*3036A4	24	25
		4WC*3048A4	27	30
		4WC*3060A4	35	40
		4WCZ6036A4	25	25
		4WCZ6048A4	30	30
		4WCZ6060A4	34	40
		4TC*3036A4	25	25
		4TC*3048A4	25	25
		4TC*3060A4	32	35
	BAYHTRV415E	4WC*3036A4	31	35
		4WC*3048A4	34	35
		4WC*3060A4	42	45
		4WCZ6036A4	33	35
		4WCZ6048A4	38	40
		4WCZ6060A4	42	45
		4TC*3048A4	33	35
		4TC*3060A4	40	40
		4WC*3048A4	42	45
		4WC*3060A4	50	50
	BAYHTRV420E	4WCZ6048A4	45	45
		4WCZ6060A4	49	50

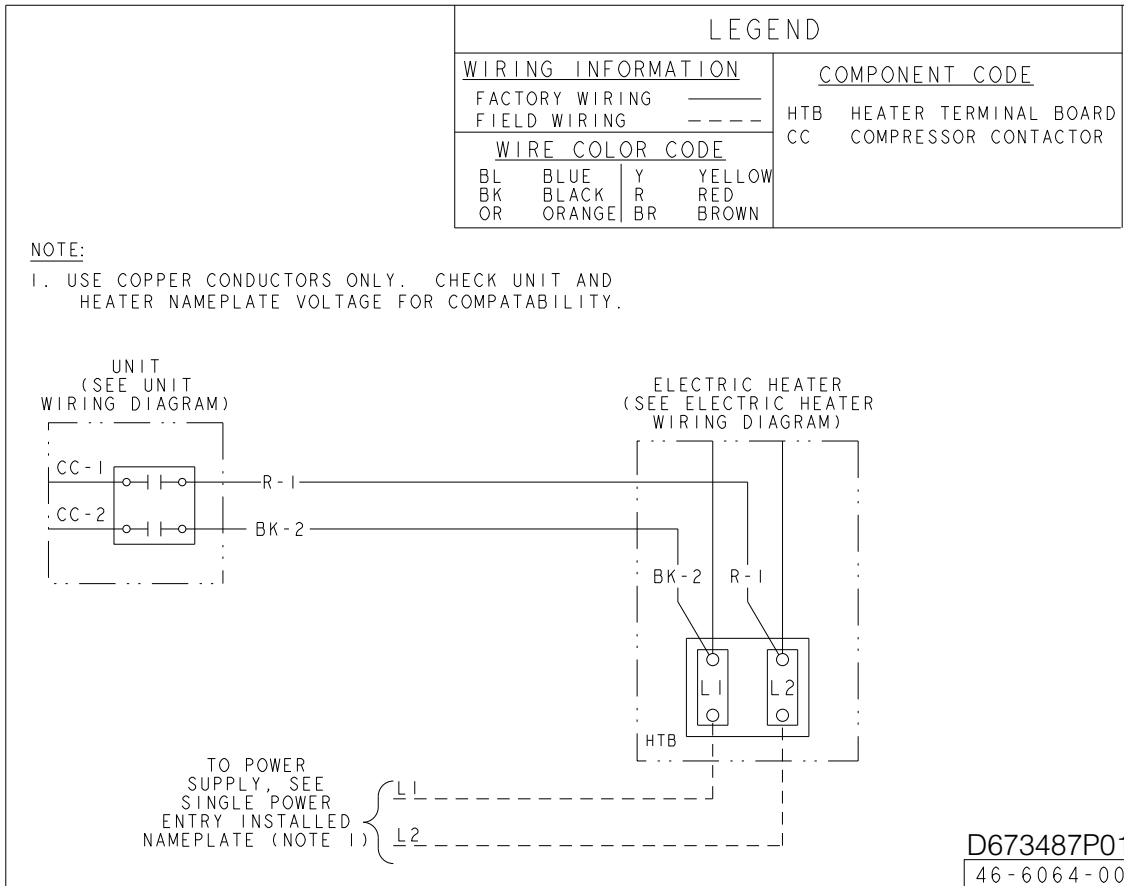
INSTALLER OF THE SINGLE POWER ENTRY KIT MUST CHECK THE APPROPRIATE BOX ABOVE TO RECORD THE KIT, HEATER AND UNIT MODEL NUMBERS INSTALLED. POWER SUPPLY VOLTAGE TO UNIT AND HEATER MUST BE IDENTICAL. CHECK THE UNIT AND HEATER NAMEPLATES TO DETERMINE THE CORRECT POWER SUPPLY VOLTAGE. CHECK HEATER NAMEPLATE TO DETERMINE HEATER KW AND CURRENT RATING. MINIMUM INSTALLATION CLEARANCE TO COMBUSTIBLE MATERIAL WHEN ELECTRIC HEATERS ARE INSTALLED: UNIT CABINET-0", PLENUM-0" AND OUTLET DUCT-0" EXCEPT FOR BAYHTRV415E AND BAYHTRV425E WHEN INSTALLED IN 4WCZ6060A4 UNIT ONLY. MINIMUM INSTALLATION CLEARANCE TO COMBUSTIBLE MATERIAL WHEN BAYHTRV415E AND BAYHTRV425E ARE INSTALLED IN 4WCZ6060A4 UNIT ONLY: UNIT CABINET - 1", PLENUM -1" AND OUTLET DUCT - 1".
* INDICATES AN ALPHA CHARACTER IN THE FOURTH DIGIT OF THE UNIT MODEL.

PLACE ABOVE LABEL OVER "ELECTRIC HEATER INSTALLED" NAMEPLATE ON UNIT D932299P02

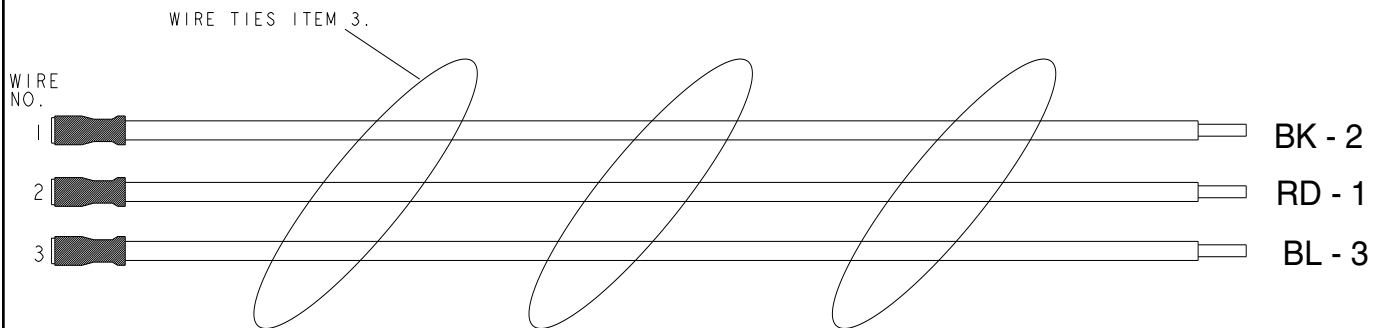
BAYSPEK060F



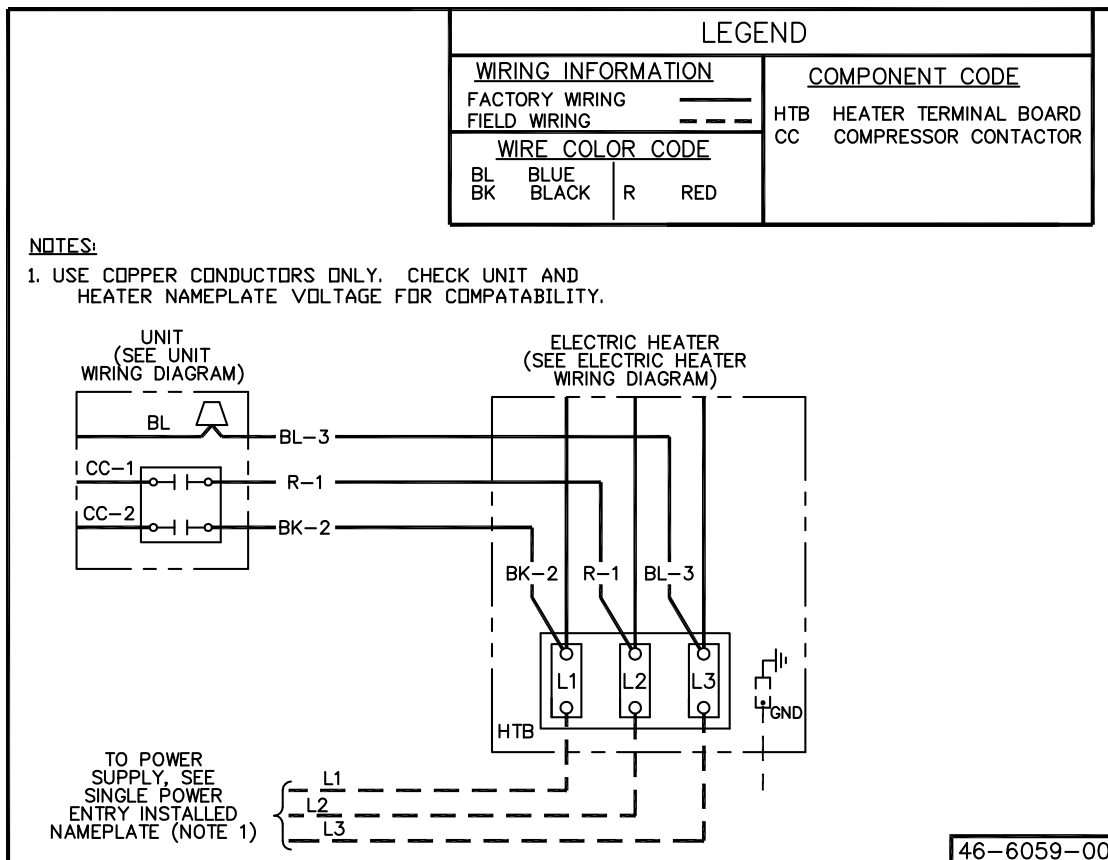
BAYSPEK060F



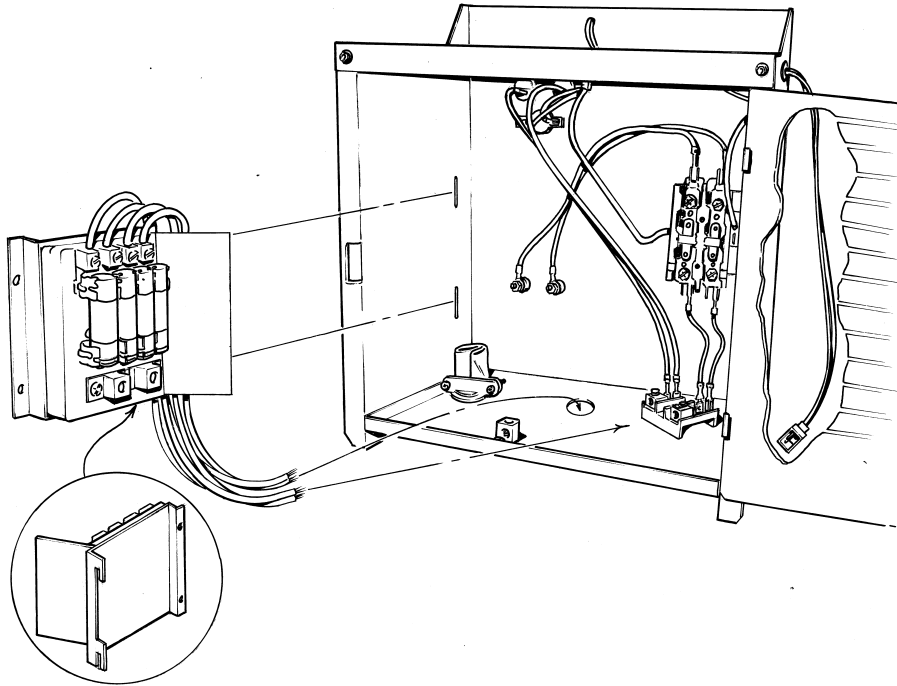
BAYSPEK061E



BAYSPEK061E



BAYSPEK062F



BAYSPEK062F

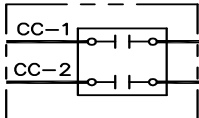
FUSE REPLACEMENT TABLE	
FH-1, FH-2	60A
USE CLASS K5 TYPE D, HRC FORM 1 FUSE ONLY.	
FU-1, FU-2	60A
USE CLASS RK5 DUAL ELEMENT TIME DELAY FUSE ONLY.	

WIRING INFORMATION		LEGEND	
FACTORY WIRING	——	HTB	HEATER TERMINAL BOARD
FIELD WIRING	- - -	FU	UNIT FUSE
WIRE COLOR CODE		FH	HEATER FUSE
BL	BLUE	CC	COMPRESSOR CONTACTOR
BK	BLACK		
Y	YELLOW		
R	RED		

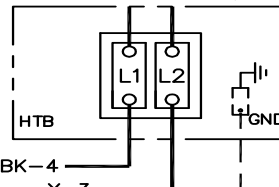
NOTES:

- USE COPPER CONDUCTORS ONLY. CHECK UNIT AND HEATER NAMEPLATE VOLTAGE FOR COMPATIBILITY.

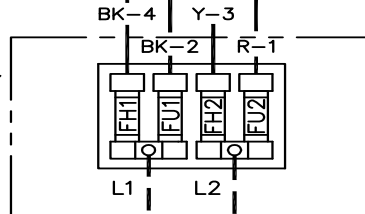
UNIT
(SEE UNIT
WIRING DIAGRAM)



ELECTRIC HEATER
(SEE ELECTRIC HEATER
WIRING DIAGRAM)



SINGLE POWER
ENTRY ACCESSORY

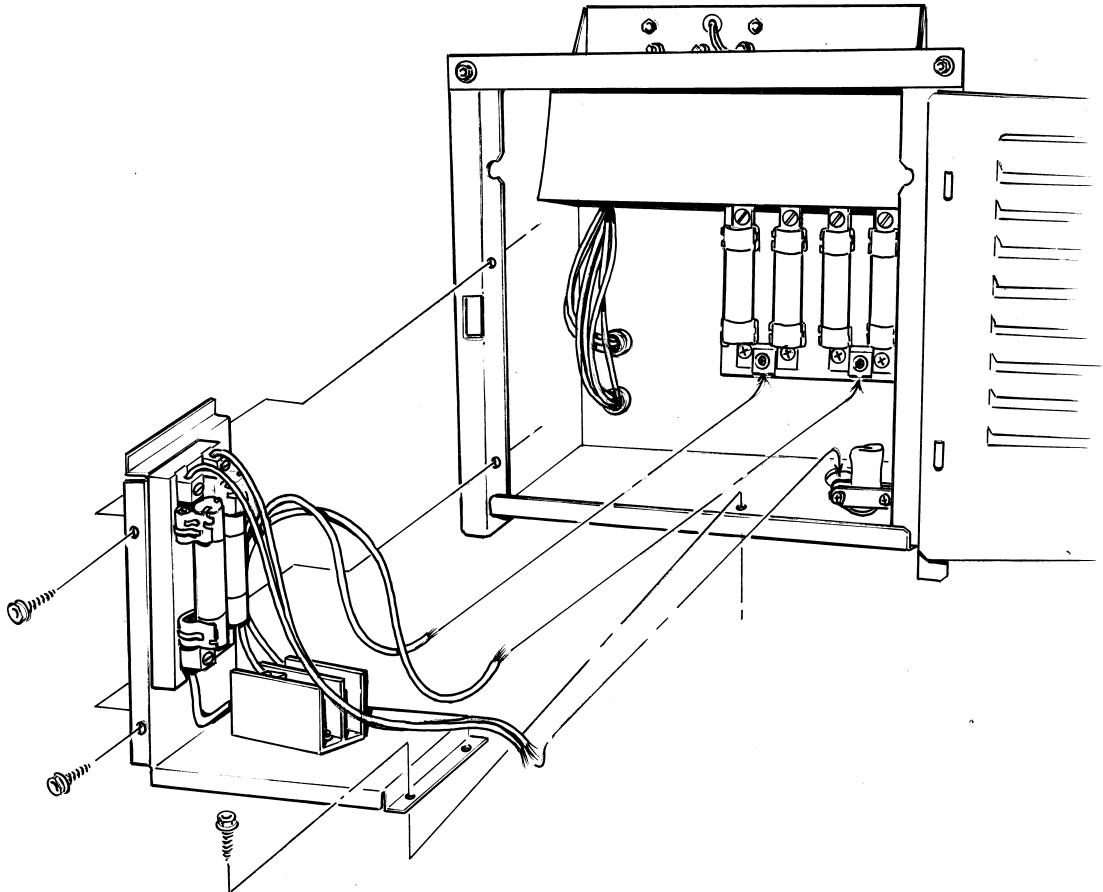


TO POWER
SUPPLY, SEE
SINGLE POWER
ENTRY INSTALLED
NAMEPLATE (NOTE 1)

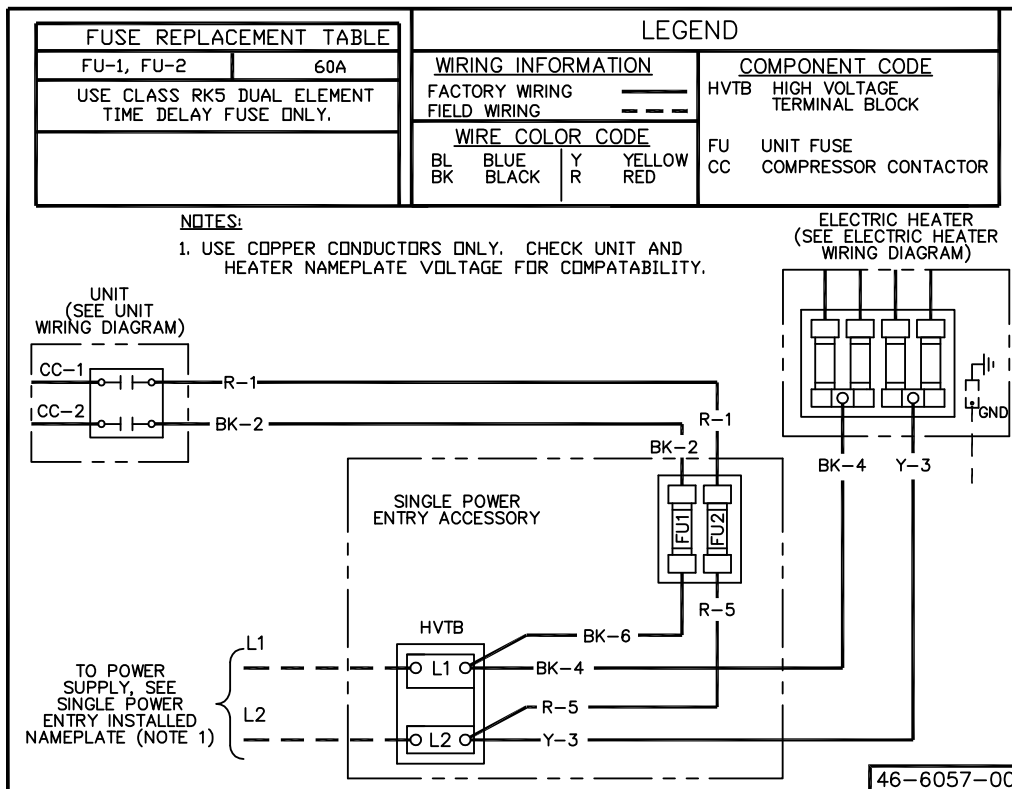


46-6055-00

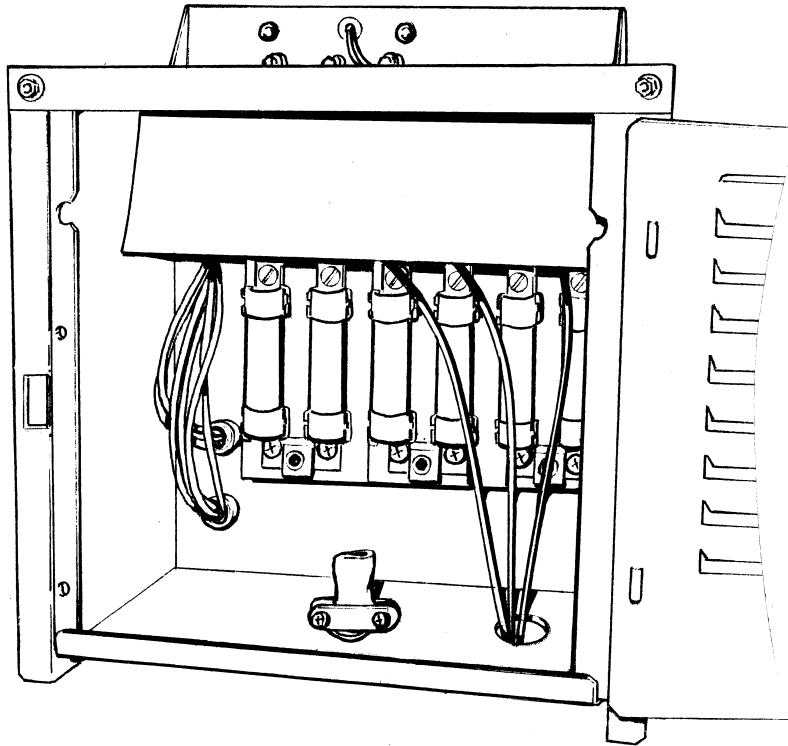
BAYSPEK063F



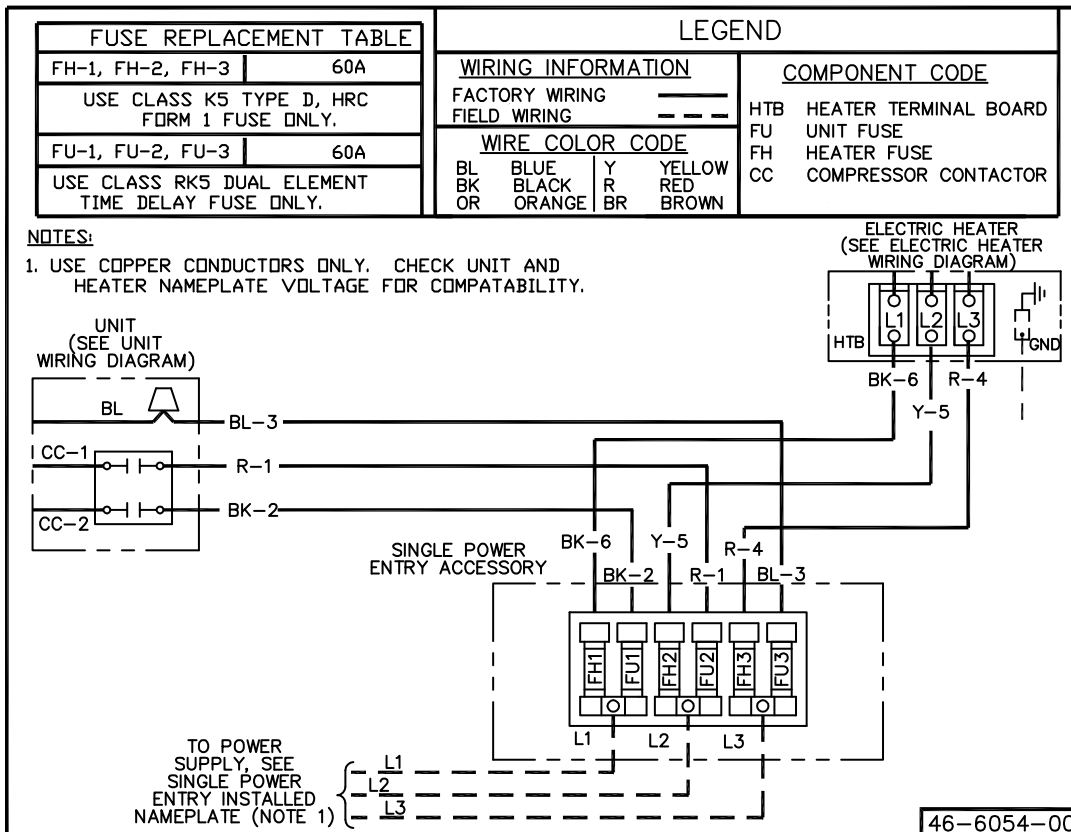
BAYSPEK063F



BAYSPEK064E

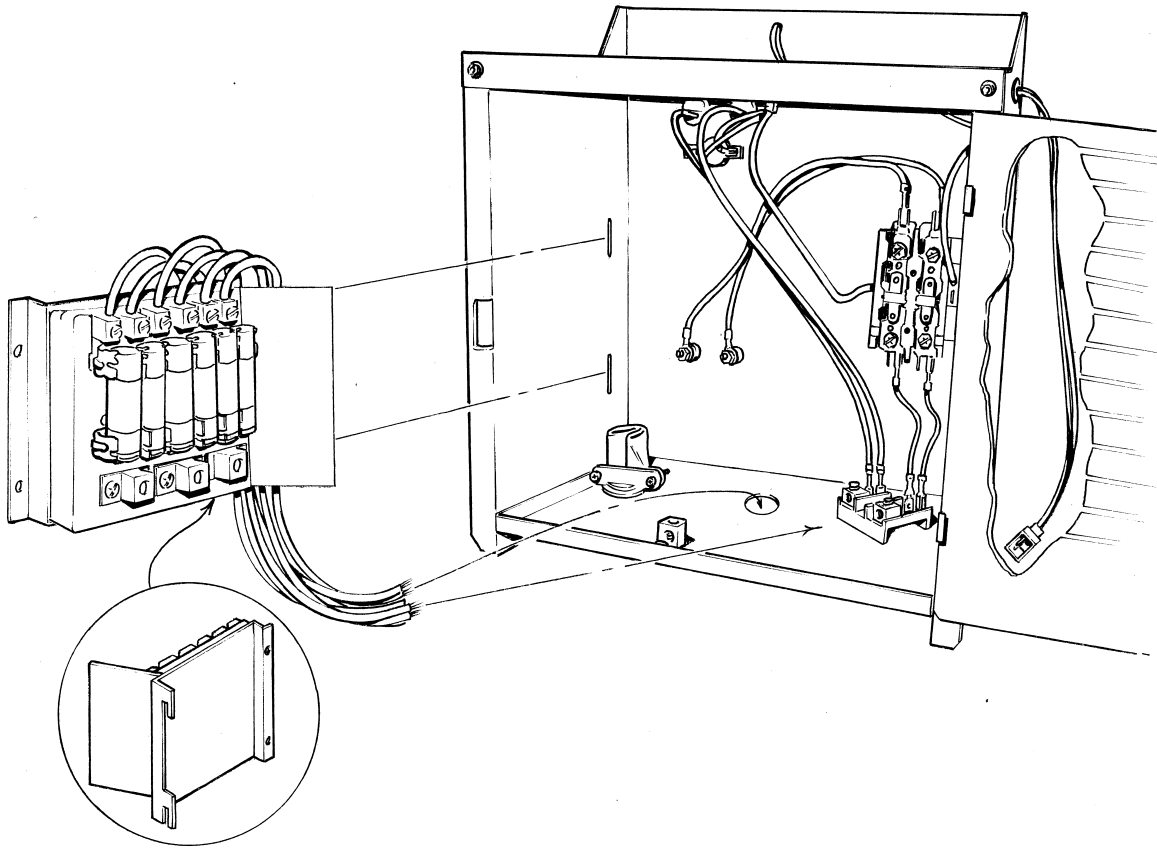


BAYSPEK064E

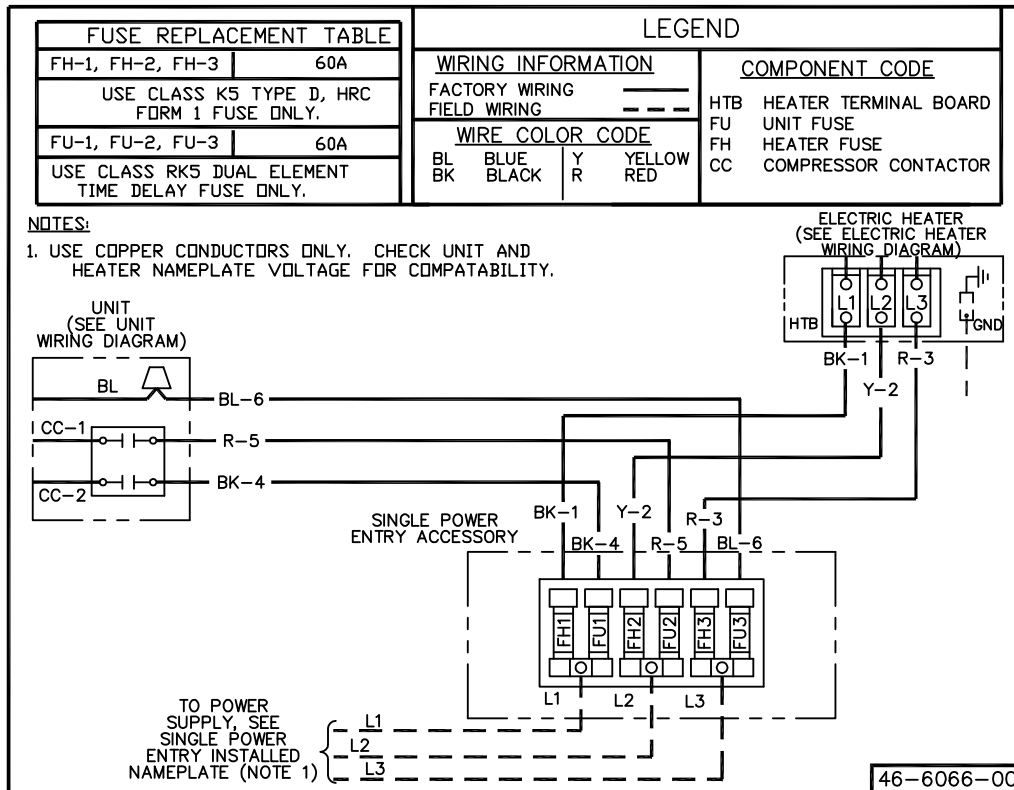


From Dwg. 21C756986P01

BAYSPEK065E



BAYSPEK065E



Installer's Guide