



CCA9

Product Specifications

HIGH EFFICIENCY 19 SEER TWO-STAGE AIR CONDITIONER WITH OBSERVER™ COMMUNICATING CONTROL SYSTEM

2 THRU 5 TONS SPLIT SYSTEM
208 / 230 Volt, 1-phase, 60 Hz
REFRIGERATION CIRCUIT

- Copeland Scroll® Ultratech™ compressors on all models
- Filter-drier supplied with every unit for field installation
- External high and low refrigerant service ports
- High and low pressure switches
- Copper tube / aluminum fin coil

PERFORMANCE

- Self-configuring installation capabilities with Observer Communicating Wall Control
- Outdoor temperature sensor factory installed
- Ball bearing ECM fan motors on all models
- High performance compressor sound shield standard
- Isolation compressor grommets

EASY TO INSTALL AND SERVICE

- Text based diagnostics with Observer Communicating Wall Control
- Only 2 control wires required from communicating indoor unit to condenser
- Easy access service valves on all models
- Innovative control box design
- Only two screws to access control panel
- Factory charged with R-410A refrigerant

BUILT TO LAST

- High gloss, baked-on powder coat finish over galvanized steel
- Post-painted (black) coil fins
- Coated, weather-resistant cabinet screws
- Coated inlet grille with 3/8" (10mm) spacing for extra protection
- Corner posts for extra strength and style

WARRANTY*

- 10 year No Hassle Replacement™ limited warranty
- 5 year parts limited warranty (including compressor and coil)
 - With timely registration, an additional 5 year parts limited warranty (including compressor and coil)

* Applies to original purchaser/homeowner, some limitations may apply. See Warranty certificate for complete details.



TSTAT0101SC



This product has been designed and manufactured to meet ENERGY STAR criteria for energy efficiency when matched with appropriate coil components. However, proper refrigerant charge and proper air flow are critical to achieve rated capacity and efficiency. Installation of this product should follow the manufacturer's refrigerant charging and air flow instructions. Failure to confirm proper charge and airflow may reduce energy efficiency and shorten equipment life.

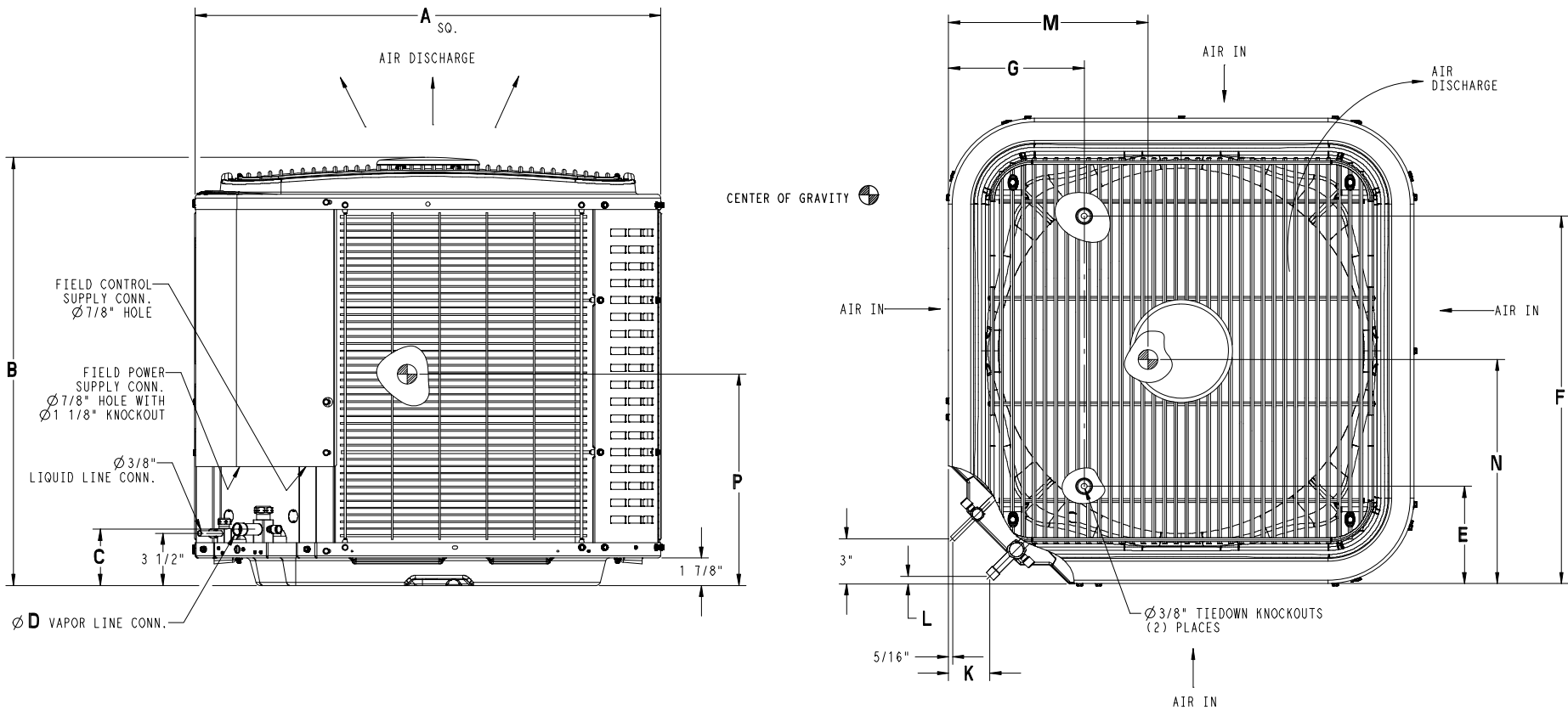


Use of the AHRI Certified™ Mark indicates a manufacturer's participation in the program. For verification of certification for individual products, go to www.ahridirectory.org.

Model Number	Size (tons)	Nominal Btu/hr	Min. Circuit Ampacity	Max. Fuse or Breaker	Operating Dimensions height x width x depth in. (mm)	Ship / Operating Weight lbs. (kg)
CCA924GKA	2	24,000	14.3	20	47-7/16 x 35 x 35 (1196 x 889 x 889)	368 / 323 (167 / 147)
CCA936GKA	3	36,000	22.6	35	47-7/16 x 35 x 35 (1196 x 889 x 889)	368 / 324 (167 / 148)
CCA948GKA	4	48,000	28.4	40	47-7/16 x 35 x 35 (1196 x 889 x 889)	370 / 325 (168 / 148)
CCA960GKA	5	60,000	30.7	50	47-7/16 x 35 x 35 (1196 x 889 x 889)	394 / 350 (179 / 159)

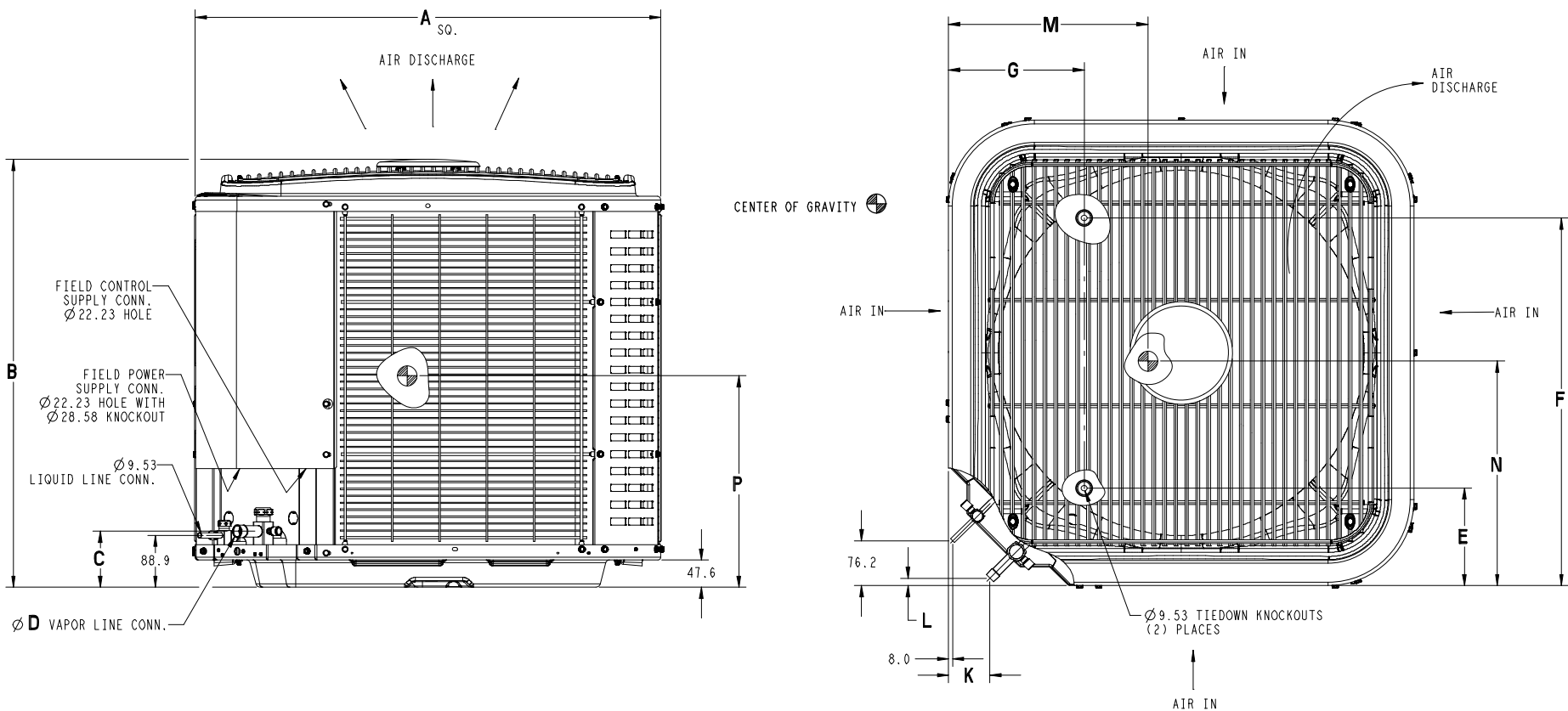
OUTDOOR UNIT MODEL NUMBER IDENTIFICATION GUIDE (single phase)											
Digit Position:	1	2	3	4	5, 6	7	8	9	10	11	12
Example Part Number:	C	C	A	9	24	G	K	A	1	0	0
C = Day & Night Mainline BRANDING											
C = Communicating KEY CHARACTERISTIC											
A = Air Conditioner H = Heat Pump TYPE											
6 = 16 SEER 7 = 17 SEER 8 = 18 SEER 9 = 19 SEER NOMINAL EFFICIENCY											
24 = 24,000 BTUH = 2 tons 36 = 36,000 BTUH = 3 tons 48 = 48,000 BTUH = 4 tons 60 = 60,000 BTUH = 5 tons NOMINAL CAPACITY											
G = Coil Guard Grille FEATURES											
K = 208/230-1-60 VOLTAGE											
Sales Code											
Engineering Revision											
Extra Digit											
Extra Digit											

ACCESSORIES PART NUMBER IDENTIFICATION GUIDE									
Digit Position:	1	2	3	4	5	6, 7	8, 9	10, 11	
Example Part Number:	N	A	S	A	0	01	01	CH	
N = Non-Branded PRODUCT GROUP									
A = Accessory PRODUCT GROUP									
S = Split System (AC & HP) KIT USAGE									
A = Original B = 2nd Generation MAJOR SERIES									
0 = Generic or Not Applicable 2 = R-22 4 = R-410A REFRIGERANT									
Product Identifier Number									
Package Quantity									
Type of Kit (Example: CH = Crankcase Heater)									



Dimensions Inches (English)

Model	Dimensions Inches (English)												Minimum Mounting Pad Size	Crated Dimensions L x W x H
	A	B	C	D	E	F	G	K	L	M	N	P		
CCA924GKA	35	47-1/16	3-7/8	7/8	6-9/16	28-7/16	9-1/8	2-15/16	5/8	18	17-1/2	21	35 x 35	36-1/8 x 39-1/4 x 51-13/16
CCA936GKA	35	47-1/16	3-7/8	7/8	6-9/16	28-7/16	9-1/8	2-15/16	5/8	17-3/4	17-1/4	20-3/4	35 x 35	36-1/8 x 39-1/4 x 51-13/16
CCA948GKA	35	47-1/16	3-7/8	7/8	6-9/16	28-7/16	9-1/8	2-15/16	5/8	18-1/4	18	21-1/2	35 x 35	36-1/8 x 39-1/4 x 51-13/16
CCA960GKA	35	47-1/16	3-7/8	7/8	6-9/16	28-7/16	9-1/8	2-15/16	5/8	18	16-3/4	21-3/4	35 x 35	36-1/8 x 39-1/4 x 51-13/16



Dimensions mm (SI Metric)

Model	Dimensions mm (SI Metric)												Minimum Mounting Pad Size	Crated Dimensions L x W x H
	A	B	C	D	E	F	G	K	L	M	N	P		
CCA924GKA	889	1196	99	22	167	722	232	75	16	457	445	533	889 x 889	918 x 998 x 1316
CCA936GKA	889	1196	99	22	167	722	232	75	16	451	438	527	889 x 889	918 x 998 x 1316
CCA948GKA	889	1196	99	22	167	722	232	75	16	464	457	546	889 x 889	918 x 998 x 1316
CCA960GKA	889	1196	99	22	167	722	232	75	16	457	426	553	889 x 889	918 x 998 x 1316

PHYSICAL DATA					
Model Size		24	36	48	60
Nominal Cooling Capacity (BTU/hr)		24,000	36,000	48,000	60,000
SEER Rating‡		19.0	19.0	18.0	16.7
Sound Rating**, High Stage (dBA)		74	74	74	73
Low Stage (dBA)		68	66	69	70
ECM Fan Motor HP		1/5	1/5	1/5	1/5
Fan RPM – Max.		752	689	765	828
Fan RPM – Min.		628	582	659	742
Fan CFM – Max.		3637	3700	4309	4668
Fan CFM – Min.		3040	3124	3703	4209
Coil Face Area ft ² (m ²)		30.14	30.14	30.14	30.14
Coil Rows – fins per inch		2–20	2–20	2–20	2–20
Low Pressure Switch	Open Pressure	50 ± 7 PSIG	50 ± 7 PSIG	50 ± 7 PSIG	50 ± 7 PSIG
	Close Pressure	95 ± 7 PSIG	95 ± 7 PSIG	95 ± 7 PSIG	95 ± 7 PSIG
Hi Pressure Switch	Open Pressure	670 ± 10 PSIG	670 ± 10 PSIG	670 ± 10 PSIG	670 ± 10 PSIG
	Close Pressure	470 ± 25 PSIG	470 ± 25 PSIG	470 ± 25 PSIG	470 ± 25 PSIG
Liquid Line Connection Size in. (mm)		3/8 (10)	3/8 (10)	3/8 (10)	3/8 (10)
Vapor Line Connection Size in. (mm)		7/8 (22)	7/8 (22)	7/8 (22)	7/8 (22)
Recommended Line Set Liquid Tube Diameter in. (mm)		3/8 (10)	3/8 (10)	3/8 (10)	3/8 (10)
Recommended Line Set Vapor Tube Diameter in. (mm)*		7/8 (22)*	7/8 (22)*	1–1/8 (29)*	1–1/8 (29)*
* Recommended Vapor Tube Line size is for standard installations. These recommendations may not apply to “Long Line” installations. When the total equivalent line length exceeds 80 feet (24.4m) or there is more than 20 feet (6.1m) vertical separation between indoor and outdoor units, consult the Long Line Application Guideline document before purchasing/ installing line sets.					
Factory Charge R-410A lbs. (kg)		14.45 (6.55)	13.83 (6.27)	14.45 (6.55)	14.83 (6.73)
Required Subcooling °F (°C)		9 (5)	10 (6)	14 (8)	16 (9)

ELECTRICAL DATA (208/230–1–60, voltage range 197V – 253V)					
Model Size		24	36	48	60
Minimum Circuit Ampacity – MCA (amps)		14.3	22.6	28.4	30.7
Maximum OverCurrent Protective device – MOCP (amps)		20	35	40	50
Compressor RLA (Rated Load Amps)		10.3	16.7	21.2	23.0
LRA (Locked Rotor Amps)		52	82	96	118
Fan Motor FLA (Full Load Amps)		1.4	1.7	1.9	1.9

‡ Highest sales volume tested combination.

**Sound Rating tested in accordance with AHRI Standard 270–95 (not listed with AHRI).

R-410A COOLING CAPACITY LOSS FOR VARIOUS LINE LENGTHS & TUBE DIAMETERS											
Unit Nominal Size (Btuh)	Maximum Liquid Line Diameter (OD) in.(mm)	Vapor Line Diameters (OD) in. (mm)	Cooling Capacity Loss (%) at Total Equivalent Line Length, feet (m)								
			26-50 (7.9-15.2)	51-80 (15.5-24.4)	81-100 (24.7-30.5)	101-125 (30.8-38.1)	126-150 (38.4-45.7)	151-175 (46.0-50.3)	176-200 (53.6-60.0)	201-225 (61.3-68.6)	226-250 (68.9-76.2)
24 2-Stage AC	3/8 (10)	5/8 (16)	0	1	1	2	3	3	4	4	5
		3/4 (19)	0	0	0	0	1	1	1	1	1
		7/8 (22)	0	0	-	-	-	-	-	-	-
36 2-Stage AC		5/8 (16)	1	2	4	5	6	7	9	10	11
		3/4 (19)	0	0	1	1	2	2	3	3	4
		7/8 (22)	0	0	0	0	1	1	1	1	2
48 2-Stage AC		3/4 (19)	1	2	2	3	4	5	6	7	7
		7/8 (22)	0	1	1	2	2	2	3	3	3
		1-1/8 (29)	0	0	-	-	-	-	-	-	-
60 2-Stage AC	3/4 (19)	1	2	4	5	6	7	9	10	10	
	7/8 (22)	0	1	2	2	2	3	4	4	5	
	1-1/8 (29)	0	0	0	0	1	1	1	1	1	

Applications in shaded area may be long line and may have height restrictions. See the AC & HP R410A Split System Long Line Applications Guideline.

- Applications in this area are not recommended due to insufficient oil return.

COOLING PERFORMANCE									
For complete ratings information, use the AHRI website directory search: www.AHRI.org .									
New ratings may be listed online before Specification Sheets are updated.									
Unit Size	Indoor Model	Furnace Model	AHRI STANDARD RATINGS						
			COOLING 95° F (35° C)						
			Capacity		SEER	EER	ID CFM		
			High	Low			High	Low	
CCA924GKA	*FCM4X48****		25400	22200	19	14.2	800	800	
	FCM4X24****		24800	21800	18	13.7	800	800	
	FCM4X36****		25000	21800	18.5	14	800	800	
	FVM4X24****		24400	20600	18	13.7	700	560	
	FVM4X36****		24400	20600	18.2	13.7	700	560	
	EA*4X24*14A*	*8MV*0701412**		24600	21400	17.5	13.5	800	800
	EA*4X24*14A*	*8MX*0451408**		24000	20400	17.5	13.2	710	580
	EA*4X24*14A*	*9MV*0401410A**		23800	20200	16.7	12.5	690	555
	EA*4X24*14A*			24000	20400	15.2	12	800	640
	EA*4X24*17A*	*8MV*0701412**		24600	21600	17.7	13.5	800	800
	EA*4X24*17A*	*8MV*0901716**		24600	21600	18	13.5	800	800
	EA*4X24*17A*	*8MX*0451408**		24200	20400	17.5	13.2	725	585
	EA*4X24*17A*	*9MA*0601714A**		24200	21200	17.2	13	747.5	747.5
	EA*4X24*17A*	*9MA*0801714A**		24200	21200	17.2	13.2	747.5	747.5
	EA*4X24*17A*	*9MV*0401410A**		23800	20200	16.7	12.5	700	560
	EA*4X24*17A*	*9MV*0601714A**		23800	20600	17.5	13.2	675	600
	EA*4X24*17A*	*9MV*0801716A**		24000	20600	17.7	13.2	690	620
	EA*4X24*17A*	*9MX*0401410A**		24000	20000	16.7	12.2	785	530
	EA*4X24*17A*	*9MX*0601714A**		24600	21000	17.5	13	905	705
	EA*4X24*17A*	MV08B15**B*		24200	20400	18	13.7	700	560
	EA*4X24*17A*	OLV098A12A		24600	20000	17.7	13	863	531
	EA*4X24*17A*	OMV098J12A		24200	20200	17.7	13.2	724	548
	EA*4X24*17A*	OMV112K14A		24800	21600	18	13.2	875	784
	EA*4X24*17A*			24000	20400	15.2	12	800	640
	EA*4X30*14A*	*8MV*0701412**		24800	21600	17.7	13.5	800	800
	EA*4X30*14A*	*8MX*0451408**		24200	20400	17.5	13.2	720	585
	EA*4X30*14A*	*9MV*0401410A**		23800	20200	16.7	12.5	695	560
	EA*4X30*14A*	*9MX*0401410A**		24200	20000	16.7	12.2	780	530
	EA*4X30*14A*			24200	20400	15.2	12	800	640
	EA*4X30*17A*	*8MV*0701412**		24800	21600	17.7	13.5	800	800
	EA*4X30*17A*	*8MV*0901716**		24800	21600	18	13.7	800	800
	EA*4X30*17A*	*8MX*0451408**		24400	20600	17.7	13.2	735	600
	EA*4X30*17A*	*9MA*0601714A**		24400	21200	17.2	13.2	747.5	747.5
	EA*4X30*17A*	*9MA*0801714A**		24400	21200	17.5	13.5	747.5	747.5
	EA*4X30*17A*	*9MV*0401410A**		24000	20200	16.7	12.5	710	570
	EA*4X30*17A*	*9MV*0601714A**		24200	20600	17.5	13.2	690	620
	EA*4X30*17A*	*9MV*0801716A**		24200	20800	17.7	13.5	710	645
	EA*4X30*17A*	*9MX*0401410A**		24200	20000	17	12.2	795	540
	EA*4X30*17A*	*9MX*0601714A**		25000	21200	17.5	13	920	720
	EA*4X30*17A*	MV08B15**B*		24400	20400	18	13.7	700	560
	EA*4X30*17A*	OLV098A12A		24800	20000	17.7	13.2	863	531
	EA*4X30*17A*	OMV098J12A		24400	20200	17.7	13.2	724	548
	EA*4X30*17A*	OMV112K14A		25000	21600	18.2	13.5	875	784
	EA*4X30*17A*			24200	20400	15.2	12	800	640
	EA*4X36*14A*	*8MV*0701412**		24800	21600	17.7	13.5	800	800
	EA*4X36*14A*	*8MX*0451408**		24400	20600	17.7	13.2	725	590
	EA*4X36*14A*	*9MV*0401410A**		24000	20200	16.7	12.5	700	565
	EA*4X36*14A*	*9MX*0401410A**		24400	20000	17	12.2	785	535
EA*4X36*14A*			24200	20400	15.2	12	800	640	
EA*4X36*17A*	*8MV*0701412**		24800	21600	18	13.7	800	800	
EA*4X36*17A*	*8MV*0901716**		24800	21600	18.2	13.7	800	800	
EA*4X36*17A*	*8MX*0451408**		24400	20600	17.7	13.5	740	600	

* Tested Combo

COOLING PERFORMANCE								
For complete ratings information, use the AHRI website directory search: www.AHRIdirectory.org .								
New ratings may be listed online before Specification Sheets are updated.								
Unit Size	Indoor Model	Furnace Model	AHRI STANDARD RATINGS					
			COOLING 95° F (35° C)					
			Capacity		SEER	EER	ID CFM	
			High	Low			High	Low
CCA924GKA	EA*4X36*17A*	*9MA*0601714A**	24400	21400	17.2	13.2	747.5	747.5
	EA*4X36*17A*	*9MA*0801714A**	24600	21400	17.7	13.5	747.5	747.5
	EA*4X36*17A*	*9MV*0401410A**	24000	20400	17	12.7	710	570
	EA*4X36*17A*	*9MV*0601714A**	24200	20800	17.7	13.2	695	630
	EA*4X36*17A*	*9MV*0801716A**	24400	21000	18	13.5	715	655
	EA*4X36*17A*	*9MX*0401410A**	24400	20200	17	12.2	800	540
	EA*4X36*17A*	*9MX*0601714A**	25000	21200	17.7	13	925	725
	EA*4X36*17A*	MV08B15**B*	24400	20400	18.2	13.7	700	560
	EA*4X36*17A*	OLV098A12A	25000	20200	17.7	13.2	863	531
	EA*4X36*17A*	OMV098J12A	24400	20400	18	13.2	724	548
	EA*4X36*17A*	OMV112K14A	25000	21600	18.2	13.7	875	784
	EA*4X36*17A*		24200	20400	15.2	12	800	640
	EA*4X36*21A*	*8MV*0901716**	24800	21800	18.2	13.7	800	800
	EA*4X36*21A*	*8MV*1102120**	24800	21800	18.2	13.7	800	800
	EA*4X36*21A*	*9MA*0601714A**	24600	21400	17.5	13.2	747.5	747.5
	EA*4X36*21A*	*9MA*0602120A**	24600	21400	17.7	13.5	747.5	747.5
	EA*4X36*21A*	*9MA*0801714A**	24600	21400	17.7	13.5	747.5	747.5
	EA*4X36*21A*	*9MA*0802120A**	24600	21400	18	13.7	747.5	747.5
	EA*4X36*21A*	*9MA*1002122A**	24600	21400	18	13.7	747.5	747.5
	EA*4X36*21A*	*9MV*0601714A**	24400	21000	17.7	13.5	710	650
	EA*4X36*21A*	*9MV*0801716A**	24600	21200	18	13.5	735	680
	EA*4X36*21A*	MV12F19**B*	24400	20400	18	13.7	700	560
	EA*4X36*21A*	OLV098A12A	25000	20200	18	13.2	863	531
	EA*4X36*21A*	OMV098J12A	24400	20400	18	13.5	724	548
	EA*4X36*21A*	OMV112K14A	25200	21600	18.5	13.7	875	784
	EA*4X36*21A*		24200	20400	15.2	12	800	640
	EHD4X24A**	*8MV*0701412**	24800	21800	17.5	13.5	800	800
	EHD4X24A**	*8MV*0901716**	24800	21800	17.7	13.5	800	800
	EHD4X24A**	*8MV*1102120**	24800	21800	17.5	13.5	800	800
	EHD4X24A**	*8MV*1352422**	24800	21800	17.7	13.5	800	800
	EHD4X24A**	*8MX*0451408**	24200	20400	17.5	13.2	685	555
	EHD4X24A**	*9MA*0601714A**	24400	21400	17	13	747.5	747.5
	EHD4X24A**	*9MA*0602120A**	24400	21400	17	13.2	747.5	747.5
	EHD4X24A**	*9MA*0801714A**	24600	21400	17.2	13.2	747.5	747.5
	EHD4X24A**	*9MA*0802120A**	24600	21600	17.2	13.2	747.5	747.5
	EHD4X24A**	*9MA*1002122A**	24600	21600	17.5	13.2	747.5	747.5
	EHD4X24A**	*9MA*1202422A**	24600	21600	17.2	13.2	747.5	747.5

COOLING PERFORMANCE								
For complete ratings information, use the AHRI website directory search: www.AHRIdirectory.org .								
New ratings may be listed online before Specification Sheets are updated.								
Unit Size	Indoor Model	Furnace Model	AHRI STANDARD RATINGS					
			COOLING 95° F (35° C)					
			Capacity		SEER	EER	ID CFM	
			High	Low			High	Low
CCA924GKA	EHD4X24A**	*9MV*0401410A**	23800	20200	16.7	12.5	665	530
	EHD4X24A**	*9MV*0601714A**	24000	20200	17.5	13.2	635	530
	EHD4X24A**	*9MV*0801716A**	24000	20400	17.5	13.2	645	550
	EHD4X24A**	*9MV*1202422A**	24000	20600	17.7	13.2	635	585
	EHD4X24A**	*9MX*0401410A**	24200	20000	16.7	12.2	755	505
	EHD4X24A**	*9MX*0601714A**	24800	21200	17.5	13	860	660
	EHD4X24A**	MV08B15**B*	24400	20600	18	13.7	700	560
	EHD4X24A**	MV12F19**B*	24400	20600	17.7	13.7	700	560
	EHD4X24A**	OLV098A12A	24800	20400	17.5	13	863	531
	EHD4X24A**	OMV098J12A	24400	20400	17.7	13	724	548
	EHD4X24A**	OMV112K14A	25000	21800	17.7	13	875	784
	EHD4X24A**		24400	20600	15.5	12	800	640
	EHD4X30A**	*8MV*0701412**	25000	21800	18	13.5	800	800
	EHD4X30A**	*8MV*0901716**	25000	22000	18	13.7	800	800
	EHD4X30A**	*8MV*1102120**	25000	21800	18	13.7	800	800
	EHD4X30A**	*8MV*1352422**	25000	22000	18	13.7	800	800
	EHD4X30A**	*8MX*0451408**	24400	20800	17.7	13.2	715	580
	EHD4X30A**	*9MA*0601714A**	24600	21600	17.2	13.2	747.5	747.5
	EHD4X30A**	*9MA*0602120A**	24600	21600	17.5	13.2	747.5	747.5
	EHD4X30A**	*9MA*0801714A**	24600	21600	17.5	13.5	747.5	747.5
	EHD4X30A**	*9MA*0802120A**	24600	21600	17.7	13.5	747.5	747.5
	EHD4X30A**	*9MA*1002122A**	24600	21600	17.7	13.5	747.5	747.5
	EHD4X30A**	*9MA*1202422A**	24600	21600	17.7	13.5	747.5	747.5
	EHD4X30A**	*9MV*0401410A**	24000	20400	17	12.7	690	555
	EHD4X30A**	*9MV*0601714A**	24200	20800	17.7	13.2	665	585
	EHD4X30A**	*9MV*0801716A**	24400	21000	18	13.5	680	605
	EHD4X30A**	*9MV*1202422A**	24400	21200	18	13.5	690	650
	EHD4X30A**	*9MX*0401410A**	24400	20200	17	12.2	780	530
	EHD4X30A**	*9MX*0601714A**	25000	21400	17.7	13	895	695
	EHD4X30A**	MV08B15**B*	24600	20600	18.2	13.7	700	560
	EHD4X30A**	MV12F19**B*	24600	20600	18	13.7	700	560
	EHD4X30A**	OLV098A12A	25000	20400	17.7	13	863	531
	EHD4X30A**	OMV098J12A	24600	20600	18	13.2	724	548
	EHD4X30A**	OMV112K14A	25200	21800	18.2	13.5	875	784
	EHD4X30A**		24400	20600	15.5	12	800	640
	EHD4X36A**	*8MV*0701412**	25200	22000	18	13.7	800	800
	EHD4X36A**	*8MV*0901716**	25200	22000	18.5	14	800	800
	EHD4X36A**	*8MV*1102120**	25200	22000	18.2	14	800	800
	EHD4X36A**	*8MV*1352422**	25200	22000	18.5	14	800	800
	EHD4X36A**	*8MX*0451408**	24800	20800	18	13.5	735	590
EHD4X36A**	*9MA*0601714A**	24800	21800	17.5	13.5	747.5	747.5	
EHD4X36A**	*9MA*0602120A**	24800	21800	17.7	13.5	747.5	747.5	
EHD4X36A**	*9MA*0801714A**	25000	21800	17.7	13.7	747.5	747.5	
EHD4X36A**	*9MA*0802120A**	25000	21800	18	13.7	747.5	747.5	
EHD4X36A**	*9MA*1002122A**	25000	21800	18	13.7	747.5	747.5	
EHD4X36A**	*9MA*1202422A**	25000	21800	18	13.7	747.5	747.5	
EHD4X36A**	*9MV*0401410A**	24400	20600	17	13	705	565	
EHD4X36A**	*9MV*0601714A**	24600	21000	18	13.5	685	610	

COOLING PERFORMANCE								
For complete ratings information, use the AHRI website directory search: www.AHRIdirectory.org .								
New ratings may be listed online before Specification Sheets are updated.								
Unit Size	Indoor Model	Furnace Model	AHRI STANDARD RATINGS					
			COOLING 95° F (35° C)					
			Capacity		SEER	EER	ID CFM	
			High	Low			High	Low
CCA924GKA	EHD4X36A**	*9MV*0801716A**	24800	21200	18	13.7	705	635
	EHD4X36A**	*9MV*1202422A**	25000	21600	18	13.7	740	705
	EHD4X36A**	*9MX*0401410A**	24800	20400	17.2	12.5	795	535
	EHD4X36A**	*9MX*0601714A**	25400	21600	18	13.2	925	715
	EHD4X36A**	MV08B15**B*	24800	20800	18.2	14	700	560
	EHD4X36A**	MV12F19**B*	24800	20600	18.2	14	700	560
	EHD4X36A**	OLV098A12A	25400	20400	18	13.5	863	531
	EHD4X36A**	OMV098J12A	24800	20600	18	13.5	724	548
	EHD4X36A**	OMV112K14A	25600	22000	18.5	13.7	875	784
	EHD4X36A**		24600	20800	15.5	12.2	800	640
	EN(A,D)4X24*14**	*8MV*0701412**	24600	21600	17.5	13.2	800	800
	EN(A,D)4X24*14**	*8MX*0451408**	24000	20400	17.5	13.2	695	565
	EN(A,D)4X24*14**	*9MX*0401410A**	24000	20000	16.7	12.2	765	520
	EN(A,D)4X24*14**		24000	20400	15.2	12	800	640
	EN(A,D)4X24*17**	*8MV*0701412**	24600	21600	17.5	13.2	800	800
	EN(A,D)4X24*17**	*8MV*0901716**	24600	21600	17.7	13.5	800	800
	EN(A,D)4X24*17**	*8MX*0451408**	24000	20400	17.5	13.2	695	565
	EN(A,D)4X24*17**	*9MA*0601714A**	24200	21200	16.7	13	747.5	747.5
	EN(A,D)4X24*17**	*9MA*0801714A**	24200	21200	17.2	13.2	747.5	747.5
	EN(A,D)4X24*17**	*9MV*0401410A**	23600	20000	16.7	12.5	675	545
	EN(A,D)4X24*17**	*9MV*0601714A**	23800	20400	17.2	13	650	560
	EN(A,D)4X24*17**	*9MV*0801716A**	23800	20400	17.5	13.2	660	580
	EN(A,D)4X24*17**	*9MX*0401410A**	24000	20000	16.7	12.2	765	520
	EN(A,D)4X24*17**	*9MX*0601714A**	24600	21000	17.2	12.7	865	670
	EN(A,D)4X24*17**	MV08B15**B*	24200	20400	18	13.5	700	560
	EN(A,D)4X24*17**	OLV098A12A	24600	20200	17.5	12.7	863	531
	EN(A,D)4X24*17**	OMV098J12A	24200	20200	17.7	13	724	548
	EN(A,D)4X24*17**	OMV112K14A	24600	21600	17.7	13	875	784
	EN(A,D)4X24*17**		24000	20400	15.2	12	800	640
	EN(A,D)4X30*14**	*8MV*0701412**	24800	21600	17.5	13.5	800	800
	EN(A,D)4X30*14**	*8MX*0451408**	24200	20400	17.5	13.2	705	580
	EN(A,D)4X30*14**	*9MV*0401410A**	23800	20200	16.7	12.5	685	560
	EN(A,D)4X30*14**	*9MX*0401410A**	24200	20000	17	12.2	770	530
	EN(A,D)4X30*14**		24200	20400	15.2	12	800	640
	EN(A,D)4X30*17**	*8MV*0701412**	24800	21600	17.7	13.5	800	800
	EN(A,D)4X30*17**	*8MV*0901716**	24800	21600	18	13.7	800	800
	EN(A,D)4X30*17**	*8MX*0451408**	24400	20600	17.7	13.2	730	595
	EN(A,D)4X30*17**	*9MA*0601714A**	24400	21200	17.2	13.2	747.5	747.5
	EN(A,D)4X30*17**	*9MA*0801714A**	24400	21400	17.5	13.2	747.5	747.5
	EN(A,D)4X30*17**	*9MV*0401410A**	24000	20200	16.7	12.5	705	570
	EN(A,D)4X30*17**	*9MV*0601714A**	24200	20600	17.5	13.2	685	615
	EN(A,D)4X30*17**	*9MV*0801716A**	24200	20800	17.7	13.5	705	640
	EN(A,D)4X30*17**	*9MX*0401410A**	24200	20000	17	12.2	790	540
	EN(A,D)4X30*17**	*9MX*0601714A**	25000	21200	17.5	13	910	715
	EN(A,D)4X30*17**	MV08B15**B*	24400	20400	18.2	13.7	700	560
	EN(A,D)4X30*17**	OLV098A12A	24800	20200	17.7	13.2	863	531
	EN(A,D)4X30*17**	OMV098J12A	24400	20200	17.7	13.2	724	548
	EN(A,D)4X30*17**	OMV112K14A	25000	21600	18	13.5	875	784
	EN(A,D)4X30*17**		24200	20400	15.2	12	800	640
	EN(A,D)4X31*17**	*8MV*0701412**	25200	22000	18.2	13.7	800	800
	EN(A,D)4X31*17**	*8MV*0901716**	25400	22200	18.5	14	800	800
	EN(A,D)4X31*17**	*8MX*0451408**	24800	21000	18	13.5	735	600
	EN(A,D)4X31*17**	*9MA*0601714A**	25000	21800	17.7	13.5	747.5	747.5

COOLING PERFORMANCE								
For complete ratings information, use the AHRI website directory search: www.AHRIdirectory.org .								
New ratings may be listed online before Specification Sheets are updated.								
Unit Size	Indoor Model	Furnace Model	AHRI STANDARD RATINGS					
			COOLING 95° F (35° C)					
			Capacity		SEER	EER	ID CFM	
			High	Low			High	Low
CCA924GKA	EN(A,D)4X31*17**	*9MA*0801714A**	25000	21800	18	13.7	747.5	747.5
	EN(A,D)4X31*17**	*9MV*0401410A**	24600	20600	17.2	13	710	570
	EN(A,D)4X31*17**	*9MV*0601714A**	24600	21200	18	13.5	690	625
	EN(A,D)4X31*17**	*9MV*0801716A**	24800	21400	18	13.7	710	650
	EN(A,D)4X31*17**	*9MX*0401410A**	24800	20400	17.2	12.5	795	540
	EN(A,D)4X31*17**	*9MX*0601714A**	25600	21600	18	13.2	920	720
	EN(A,D)4X31*17**	MV08B15**B*	24800	20800	18.5	14	700	560
	EN(A,D)4X31*17**	OLV098A12A	25400	20400	18	13.5	863	531
	EN(A,D)4X31*17**	OMV098J12A	24800	20600	18	13.5	724	548
	EN(A,D)4X31*17**	OMV112K14A	25600	22000	18.5	13.7	875	784
	EN(A,D)4X31*17**		24800	20800	15.5	12.2	800	640
	EN(A,D)4X36*21**	*8MV*0901716**	24800	21600	18	13.7	800	800
	EN(A,D)4X36*21**	*8MV*1102120**	24800	21600	18	13.7	800	800
	EN(A,D)4X36*21**	*9MA*0601714A**	24400	21200	17.2	13.2	747.5	747.5
	EN(A,D)4X36*21**	*9MA*0602120A**	24400	21400	17.5	13.2	747.5	747.5
	EN(A,D)4X36*21**	*9MA*0801714A**	24400	21400	17.5	13.5	747.5	747.5
	EN(A,D)4X36*21**	*9MA*0802120A**	24600	21400	17.7	13.5	747.5	747.5
	EN(A,D)4X36*21**	*9MA*1002122A**	24600	21400	17.7	13.5	747.5	747.5
	EN(A,D)4X36*21**	*9MV*0601714A**	24200	20600	17.7	13.2	685	620
	EN(A,D)4X36*21**	*9MV*0801716A**	24200	20800	17.7	13.5	705	640
	EN(A,D)4X36*21**	*9MX*0601714A**	25000	21200	17.5	13	915	715
	EN(A,D)4X36*21**	MV12F19**B*	24400	20400	18	13.7	700	560
	EN(A,D)4X36*21**	OLV098A12A	24800	20200	17.7	13.2	863	531
	EN(A,D)4X36*21**	OMV098J12A	24400	20200	18	13.2	724	548
	EN(A,D)4X36*21**	OMV112K14A	25000	21600	18.2	13.5	875	784
	EN(A,D)4X36*21**		24200	20400	15.2	12	800	640
	EN(A,D)4X37*17**	*8MV*0701412**	25600	22400	18.5	14	800	800
	EN(A,D)4X37*17**	*8MV*0901716**	25600	22400	18.7	14	800	800
	EN(A,D)4X37*17**	*8MX*0451408**	25200	21200	18.2	13.7	745	610
	EN(A,D)4X37*17**	*9MA*0601714A**	25200	22000	18	13.7	747.5	747.5
	EN(A,D)4X37*17**	*9MA*0801714A**	25200	22000	18	13.7	747.5	747.5
	EN(A,D)4X37*17**	*9MV*0401410A**	24800	21000	17.2	13	715	580
	EN(A,D)4X37*17**	*9MV*0601714A**	25000	21400	18	13.7	700	640
	EN(A,D)4X37*17**	*9MV*0801716A**	25200	21600	18.2	13.7	725	670
	EN(A,D)4X37*17**	*9MX*0401410A**	25000	20600	17.5	12.7	805	545
	EN(A,D)4X37*17**	*9MX*0601714A**	25800	22000	18	13.5	930	735
	EN(A,D)4X37*17**	MV08B15**B*	25000	21000	18.7	14.2	700	560
	EN(A,D)4X37*17**	OLV098A12A	25600	20600	18.2	13.7	863	531
	EN(A,D)4X37*17**	OMV098J12A	25000	20800	18.2	13.7	724	548
	EN(A,D)4X37*17**	OMV112K14A	25800	22400	19	14	875	784
	EN(A,D)4X37*17**		25000	21000	15.7	12.2	800	640
	EN(A,D,W)4X36*17**	*8MV*0701412**	24800	21600	17.7	13.5	800	800
EN(A,D,W)4X36*17**	*8MV*0901716**	24800	21600	18	13.7	800	800	
EN(A,D,W)4X36*17**	*8MX*0451408**	24400	20600	17.7	13.2	730	595	
EN(A,D,W)4X36*17**	*9MA*0601714A**	24400	21200	17.2	13.2	747.5	747.5	
EN(A,D,W)4X36*17**	*9MA*0801714A**	24400	21400	17.5	13.2	747.5	747.5	
EN(A,D,W)4X36*17**	*9MV*0401410A**	24000	20200	16.7	12.5	705	570	
EN(A,D,W)4X36*17**	*9MV*0601714A**	24200	20600	17.5	13.2	685	615	
EN(A,D,W)4X36*17**	*9MV*0801716A**	24200	20800	17.7	13.5	705	640	
EN(A,D,W)4X36*17**	*9MX*0401410A**	24200	20000	17	12.2	790	540	
EN(A,D,W)4X36*17**	*9MX*0601714A**	25000	21200	17.5	13	910	715	
EN(A,D,W)4X36*17**	MV08B15**B*	24400	20400	18.2	13.7	700	560	
EN(A,D,W)4X36*17**	OLV098A12A	24800	20200	17.7	13.2	863	531	

COOLING PERFORMANCE								
For complete ratings information, use the AHRI website directory search: www.AHRIdirectory.org .								
New ratings may be listed online before Specification Sheets are updated.								
Unit Size	Indoor Model	Furnace Model	AHRI STANDARD RATINGS					
			COOLING 95° F (35° C)					
			Capacity		SEER	EER	ID CFM	
			High	Low			High	Low
CCA924GKA	EN(A,D,W)4X36*17**	OMV098J12A	24400	20200	17.7	13.2	724	548
	EN(A,D,W)4X36*17**	OMV112K14A	25000	21600	18	13.5	875	784
	EN(A,D,W)4X36*17**		24200	20400	15.2	12	800	640
	ENH4X24*17**	*8MV*0701412**	24600	21600	17.5	13.2	800	800
	ENH4X24*17**	*8MV*0901716**	24600	21600	17.7	13.5	800	800
	ENH4X24*17**	*8MV*1102120**	24600	21600	17.2	13.2	800	800
	ENH4X24*17**	*8MV*1352422**	24600	21600	17.5	13.5	800	800
	ENH4X24*17**	*8MX*0451408**	24000	20400	17.5	13.2	695	565
	ENH4X24*17**	*9MA*0601714A**	24200	21200	16.7	13	747.5	747.5
	ENH4X24*17**	*9MA*0801714A**	24200	21200	17.2	13.2	747.5	747.5
	ENH4X24*17**	*9MA*1202422A**	24200	21200	17.2	13.2	747.5	747.5
	ENH4X24*17**	*9MV*0401410A**	23600	20000	16.7	12.5	675	545
	ENH4X24*17**	*9MV*0601714A**	23800	20400	17.2	13	650	560
	ENH4X24*17**	*9MV*0801716A**	23800	20400	17.5	13.2	660	580
	ENH4X24*17**	*9MV*1202422A**	23800	20600	17.5	13.2	655	615
	ENH4X24*17**	*9MX*0401410A**	24000	20000	16.7	12.2	765	520
	ENH4X24*17**	*9MX*0601714A**	24600	21000	17.2	12.7	865	670
	ENH4X24*17**	MV08B15**B*	24200	20400	18	13.5	700	560
	ENH4X24*17**	OLV098A12A	24600	20200	17.5	12.7	863	531
	ENH4X24*17**	OMV098J12A	24200	20200	17.7	13	724	548
	ENH4X24*17**	OMV112K14A	24600	21600	17.7	13	875	784
	ENH4X24*17**		24000	20400	15.2	12	800	640
	ENH4X30*17**	*8MV*0701412**	24800	21600	17.7	13.5	800	800
	ENH4X30*17**	*8MV*0901716**	24800	21600	18	13.7	800	800
	ENH4X30*17**	*8MV*1102120**	24800	21600	18	13.7	800	800
	ENH4X30*17**	*8MV*1352422**	24800	21600	18	13.7	800	800
	ENH4X30*17**	*8MX*0451408**	24400	20600	17.7	13.2	730	595
	ENH4X30*17**	*9MA*0601714A**	24400	21200	17.2	13.2	747.5	747.5
	ENH4X30*17**	*9MA*0801714A**	24400	21400	17.5	13.2	747.5	747.5
	ENH4X30*17**	*9MA*1202422A**	24400	21400	17.7	13.5	747.5	747.5
	ENH4X30*17**	*9MV*0401410A**	24000	20200	16.7	12.5	705	570
	ENH4X30*17**	*9MV*0601714A**	24200	20600	17.5	13.2	685	615
	ENH4X30*17**	*9MV*0801716A**	24200	20800	17.7	13.5	705	640
	ENH4X30*17**	*9MV*1202422A**	24400	21200	17.7	13.5	730	695
	ENH4X30*17**	*9MX*0401410A**	24200	20000	17	12.2	790	540
	ENH4X30*17**	*9MX*0601714A**	25000	21200	17.5	13	910	715
	ENH4X30*17**	MV08B15**B*	24400	20400	18.2	13.7	700	560
	ENH4X30*17**	OLV098A12A	24800	20200	17.7	13.2	863	531
	ENH4X30*17**	OMV098J12A	24400	20200	17.7	13.2	724	548
	ENH4X30*17**	OMV112K14A	25000	21600	18	13.5	875	784
	ENH4X30*17**		24200	20400	15.2	12	800	640
	ENH4X31*17**	*8MV*0701412**	25200	22000	18.2	13.7	800	800
ENH4X31*17**	*8MV*0901716**	25400	22200	18.5	14	800	800	
ENH4X31*17**	*8MV*1102120**	25400	22200	18.2	14	800	800	
ENH4X31*17**	*8MV*1352422**	25400	22200	18.5	14	800	800	
ENH4X31*17**	*8MX*0451408**	25000	21000	18	13.5	740	600	
ENH4X31*17**	*9MA*0601714A**	25000	21800	17.7	13.5	747.5	747.5	
ENH4X31*17**	*9MA*0801714A**	25000	21800	18	13.7	747.5	747.5	
ENH4X31*17**	*9MA*1202422A**	25000	21800	18	13.7	747.5	747.5	
ENH4X31*17**	*9MV*0401410A**	24600	20600	17.2	13	710	575	
ENH4X31*17**	*9MV*0601714A**	24600	21200	18	13.5	695	630	
ENH4X31*17**	*9MV*0801716A**	24800	21400	18	13.7	715	650	
ENH4X31*17**	*9MV*1202422A**	25000	21800	18.2	13.7	755	720	

COOLING PERFORMANCE								
For complete ratings information, use the AHRI website directory search: www.AHRIdirectory.org . New ratings may be listed online before Specification Sheets are updated.								
Unit Size	Indoor Model	Furnace Model	AHRI STANDARD RATINGS					
			COOLING 95° F (35° C)					
			Capacity		SEER	EER	ID CFM	
			High	Low			High	Low
CCA924GKA	ENH4X31*17**	*9MX*0401410A**	24800	20600	17.2	12.5	800	545
	ENH4X31*17**	*9MX*0601714A**	25600	21800	18	13.2	925	725
	ENH4X31*17**	MV08B15**B*	24800	20800	18.5	14	700	560
	ENH4X31*17**	OLV098A12A	25400	20600	18	13.5	863	531
	ENH4X31*17**	OMV098J12A	24800	20600	18.2	13.5	724	548
	ENH4X31*17**	OMV112K14A	25600	22200	18.7	13.7	875	784
	ENH4X31*17**		24800	20800	15.5	12.2	800	640
	ENH4X36*17**	*8MV*0701412**	24800	21600	17.7	13.5	800	800
	ENH4X36*17**	*8MV*0901716**	24800	21600	18	13.7	800	800
	ENH4X36*17**	*8MV*1102120**	24800	21600	18	13.7	800	800
	ENH4X36*17**	*8MV*1352422**	24800	21600	18	13.7	800	800
	ENH4X36*17**	*8MX*0451408**	24400	20600	17.7	13.2	730	595
	ENH4X36*17**	*9MA*0601714A**	24400	21200	17.2	13.2	747.5	747.5
	ENH4X36*17**	*9MA*0801714A**	24400	21400	17.5	13.2	747.5	747.5
	ENH4X36*17**	*9MA*1202422A**	24400	21400	17.7	13.5	747.5	747.5
	ENH4X36*17**	*9MV*0401410A**	24000	20200	16.7	12.5	705	570
	ENH4X36*17**	*9MV*0601714A**	24200	20600	17.5	13.2	685	615
	ENH4X36*17**	*9MV*0801716A**	24200	20800	17.7	13.5	705	640
	ENH4X36*17**	*9MV*1202422A**	24400	21200	17.7	13.5	730	695
	ENH4X36*17**	*9MX*0401410A**	24200	20000	17	12.2	790	540
	ENH4X36*17**	*9MX*0601714A**	25000	21200	17.5	13	910	715
	ENH4X36*17**	MV08B15**B*	24400	20400	18.2	13.7	700	560
	ENH4X36*17**	OLV098A12A	24800	20200	17.7	13.2	863	531
	ENH4X36*17**	OMV098J12A	24400	20200	17.7	13.2	724	548
	ENH4X36*17**	OMV112K14A	25000	21600	18	13.5	875	784
	ENH4X36*17**		24200	20400	15.2	12	800	640

ENERGY STAR compliance for combinations with both: SEER 14.50 or higher and EER 12.00 or higher.
 † For coils not listed with a matching furnace or blower, coil rating applies with any indoor blower device

COOLING PERFORMANCE									
For complete ratings information, use the AHRI website directory search: www.AHRIdirectory.org .									
New ratings may be listed online before Specification Sheets are updated.									
Unit Size	Indoor Model	Furnace Model	AHRI STANDARD RATINGS						
			COOLING 95° F (35° C)						
			Capacity		SEER	EER	ID CFM		
			High	Low			High	Low	
CCA936GKA	*FCM4X60****		37200	30200	19	14	1207	924	
	FCM4X24****		35000	28800	17.5	13	1121	858	
	FCM4X36****		35200	28800	17.7	13.2	1121	858	
	FCM4X48****		36400	29400	18.5	14	1121	858	
	FVM4X24****		34600	28600	17.2	13	1050	840	
	FVM4X36****		34800	28600	17.7	13.2	1050	840	
	FVM4X48****		36200	29400	18.2	14	1050	840	
	FVM4X60****		36600	29600	18.7	14	1050	840	
	EA*4X36*14A*	*8MV*0701412**		34800	28600	17.2	12.5	1121	858
	EA*4X36*14A*	*8MX*0451408**		34400	27800	17	12.2	1045	735
	EA*4X36*14A*			34400	28600	15.2	12	1100	925
	EA*4X36*17A*	*8MV*0701412**		34800	28600	17.2	12.7	1121	858
	EA*4X36*17A*	*8MV*0901716**		35000	28800	17.7	13	1121	858
	EA*4X36*17A*	*8MX*0451408**		34400	29200	15.5	12.2	1075	1075
	EA*4X36*17A*	*8MX*0701716**		35000	29000	16.7	12.2	1245	935
	EA*4X36*17A*	*9MA*0601714A**		34600	28600	16.7	12.2	1121	858
	EA*4X36*17A*	*9MA*0801714A**		34800	28600	17	12.5	1121	858
	EA*4X36*17A*	*9MV*0601714A**		34200	28200	16.7	12.7	940	785
	EA*4X36*17A*	*9MV*0801716A**		34400	28400	17	13	955	800
	EA*4X36*17A*	*9MX*0601714A**		34600	27800	17	12.7	1045	720
	EA*4X36*17A*	*9MX*0801716A**		34600	29000	16.7	12.7	1035	965
	EA*4X36*17A*	MV08B15**B*		34800	28600	17.7	13.2	1050	840
	EA*4X36*17A*	OMV112K14A		34600	28400	17.2	13	1034	823
	EA*4X36*17A*			34800	28600	15.2	12	1200	925
	EA*4X36*21A*	*8MV*0901716**		35000	28800	17.7	13.2	1121	858
	EA*4X36*21A*	*8MV*1102120**		35000	28800	17.7	13.2	1121	858
	EA*4X36*21A*	*8MX*0701716**		35200	29000	16.7	12.2	1270	955
	EA*4X36*21A*	*8MX*0902116**		35400	29200	17.2	13	1220	965
	EA*4X36*21A*	*8MX*1102120**		35400	29800	17.2	13.2	1225	1125
	EA*4X36*21A*	*9MA*0601714A**		34800	28600	17	12.5	1121	858
	EA*4X36*21A*	*9MA*0602120A**		34800	28600	17.2	12.7	1121	858
	EA*4X36*21A*	*9MA*0801714A**		34800	28600	17.2	12.7	1121	858
	EA*4X36*21A*	*9MA*0802120A**		35000	28600	17.5	13	1121	858
	EA*4X36*21A*	*9MA*1002122A**		35000	28600	17.7	13.2	1121	858
	EA*4X36*21A*	*9MV*0601714A**		34400	28400	16.7	12.7	955	800
	EA*4X36*21A*	*9MV*0801716A**		34400	28600	17	13	970	815
	EA*4X36*21A*	*9MV*0802120A**		34200	28600	17.5	13.2	930	830
	EA*4X36*21A*	*9MV*1002120A**		34000	28400	17.5	13.2	920	820
	EA*4X36*21A*	*9MX*0601714A**		34600	27800	17.2	12.7	1065	740
	EA*4X36*21A*	*9MX*0801716A**		34600	29200	16.7	13	1050	985
	EA*4X36*21A*	MV12F19**B*		34800	28600	18	13.5	1050	840
	EA*4X36*21A*	OLV112A16A		34800	28800	17.2	13	1083	881
EA*4X36*21A*	OMV112K14A		34600	28400	17.5	13	1034	823	
EA*4X36*21A*			34800	28600	15.2	12	1200	925	
EA*4X42*21A*	*8MV*0901716**		35400	29000	18	13.2	1121	858	
EA*4X42*21A*	*8MV*1102120**		35400	29000	18	13.2	1121	858	
EA*4X42*21A*	*8MX*0701716**		35400	29200	17	12.2	1265	950	
EA*4X42*21A*	*8MX*0902116**		35600	29400	17.5	13	1220	965	
EA*4X42*21A*	*8MX*1102120**		35800	30000	17.5	13.2	1225	1125	
EA*4X42*21A*	*9MA*0601714A**		35000	28800	17	12.5	1121	858	
EA*4X42*21A*	*9MA*0602120A**		35200	28800	17.2	13	1121	858	
EA*4X42*21A*	*9MA*0801714A**		35200	28800	17.2	12.7	1121	858	

* Tested Combo

COOLING PERFORMANCE								
For complete ratings information, use the AHRI website directory search: www.AHRI.org .								
New ratings may be listed online before Specification Sheets are updated.								
Unit Size	Indoor Model	Furnace Model	AHRI STANDARD RATINGS					
			COOLING 95° F (35° C)					
			Capacity		SEER	EER	ID CFM	
			High	Low			High	Low
CCA936GKA	EA*4X42*21A*	*9MA*0802120A**	35200	28800	17.7	13.2	1121	858
	EA*4X42*21A*	*9MA*1002122A**	35400	28800	17.7	13.2	1121	858
	EA*4X42*21A*	*9MV*0601714A**	34600	28600	17	13	955	800
	EA*4X42*21A*	*9MV*0801716A**	34600	28800	17.2	13	965	810
	EA*4X42*21A*	*9MX*0601714A**	34800	28000	17.2	12.7	1060	735
	EA*4X42*21A*	*9MX*0801716A**	34800	29400	17	13	1050	980
	EA*4X42*21A*	MV12F19**B*	35200	28800	18.2	13.5	1050	840
	EA*4X42*21A*	OLV112A16A	35000	29000	17.2	13	1083	881
	EA*4X42*21A*	OMV112K14A	35400	29400	17.2	12.7	1207	962
	EA*4X42*21A*		35000	28800	15.2	12	1200	925
	EA*4X42*24A*	*8MV*1102120**	35400	29000	18	13.2	1121	858
	EA*4X42*24A*	*8MV*1352422**	35400	29000	18	13.5	1121	858
	EA*4X42*24A*	*8MX*0902116**	35600	29400	17.5	13	1230	975
	EA*4X42*24A*	*8MX*1102120**	35800	30000	17.5	13.2	1240	1135
	EA*4X42*24A*	*9MA*0602120A**	35200	28800	17.2	13	1121	858
	EA*4X42*24A*	*9MA*0802120A**	35200	28800	17.7	13.2	1121	858
	EA*4X42*24A*	*9MA*1002122A**	35400	28800	17.7	13.2	1121	858
	EA*4X42*24A*	*9MA*1202422A**	35400	28800	17.7	13.2	1121	858
	EA*4X42*24A*	*9MV*0802120A**	34400	28800	17.7	13.2	935	835
	EA*4X42*24A*	*9MV*1002120A**	34400	28600	17.5	13.2	925	825
	EA*4X42*24A*	*9MV*1202422A**	34800	29200	17.7	13.2	960	880
	EA*4X42*24A*	MV16J22**B*	35200	28800	18	13.7	1050	840
	EA*4X42*24A*	MV20L24**B*	35200	28800	18	13.7	1050	840
	EA*4X42*24A*	OLV112A16A	35000	29000	17.2	13	1083	881
	EA*4X42*24A*	OLV154F20A	35800	29600	17.7	13.2	1248	1022
	EA*4X42*24A*		35000	28800	15.2	12	1200	925
	EA*4X48*17A*	*8MV*0701412**	36000	29400	17.7	13	1121	858
	EA*4X48*17A*	*8MV*0901716**	36200	29400	18.2	13.5	1121	858
	EA*4X48*17A*	*8MX*0451408**	35600	28600	17.5	12.7	1075	755
	EA*4X48*17A*	*8MX*0701716**	36200	29800	17.2	12.5	1245	940
	EA*4X48*17A*	*9MA*0601714A**	35800	29400	17.2	12.7	1121	858
	EA*4X48*17A*	*9MA*0801714A**	36000	29400	17.5	13	1121	858
	EA*4X48*17A*	*9MV*0601714A**	35200	29200	17.2	13	945	790
	EA*4X48*17A*	*9MV*0801716A**	35400	29200	17.5	13.2	955	805
	EA*4X48*17A*	*9MX*0601714A**	35600	28400	17.5	13	1050	725
	EA*4X48*17A*	*9MX*0801716A**	35600	30000	17.2	13	1040	970
	EA*4X48*17A*	MV08B15**B*	35800	29400	18.2	13.5	1050	840
	EA*4X48*17A*	OMV112K14A	35600	29200	18	13.2	1034	823
	EA*4X48*17A*		36000	29400	15.5	12.5	1200	925
	EA*4X48*21A*	*8MV*0901716**	35800	29200	18	13.2	1121	858
EA*4X48*21A*	*8MV*1102120**	36000	29200	18	13.5	1121	858	
EA*4X48*21A*	*8MX*0701716**	36000	29600	17	12.5	1260	945	
EA*4X48*21A*	*8MX*0902116**	36200	29800	17.7	13.2	1210	955	
EA*4X48*21A*	*8MX*1102120**	36200	30400	17.7	13.2	1210	1115	
EA*4X48*21A*	*9MA*0601714A**	35600	29200	17.2	12.7	1121	858	
EA*4X48*21A*	*9MA*0602120A**	35800	29200	17.5	13	1121	858	
EA*4X48*21A*	*9MA*0801714A**	35600	29200	17.5	13	1121	858	
EA*4X48*21A*	*9MA*0802120A**	35800	29200	17.7	13.2	1121	858	
EA*4X48*21A*	*9MA*1002122A**	35800	29200	18	13.2	1121	858	
EA*4X48*21A*	*9MV*0601714A**	35000	29000	17.2	13	950	795	
EA*4X48*21A*	*9MV*0801716A**	35200	29000	17.2	13.2	960	810	
EA*4X48*21A*	*9MV*0802120A**	34800	29000	17.7	13.2	920	825	
EA*4X48*21A*	*9MV*1002120A**	34800	29000	17.7	13.2	910	810	

COOLING PERFORMANCE								
For complete ratings information, use the AHRI website directory search: www.AHRIdirectory.org .								
New ratings may be listed online before Specification Sheets are updated.								
Unit Size	Indoor Model	Furnace Model	AHRI STANDARD RATINGS					
			COOLING 95° F (35° C)					
			Capacity		SEER	EER	ID CFM	
			High	Low			High	Low
CCA936GKA	EA*4X48*21A*	*9MX*0601714A**	35400	28400	17.5	13	1055	730
	EA*4X48*21A*	*9MX*0801716A**	35400	29800	17.2	13	1045	980
	EA*4X48*21A*	MV12F19**B*	35600	29200	18.2	13.7	1050	840
	EA*4X48*21A*	OLV112A16A	35600	29400	17.5	13	1083	881
	EA*4X48*21A*	OMV112K14A	35400	29000	17.7	13.2	1034	823
	EA*4X48*21A*		35000	28600	15.5	12.2	1050	840
	EA*4X48*24A*	*8MV*1102120**	36000	29200	18.2	13.5	1121	858
	EA*4X48*24A*	*8MV*1352422**	36000	29400	18.2	13.7	1121	858
	EA*4X48*24A*	*8MX*0902116**	36200	29800	17.7	13.2	1225	970
	EA*4X48*24A*	*8MX*1102120**	36400	30400	17.7	13.5	1235	1135
	EA*4X48*24A*	*9MA*0602120A**	35800	29200	17.5	13	1121	858
	EA*4X48*24A*	*9MA*0802120A**	35800	29200	18	13.2	1121	858
	EA*4X48*24A*	*9MA*1002122A**	36000	29200	18	13.5	1121	858
	EA*4X48*24A*	*9MA*1202422A**	35800	29200	18	13.2	1121	858
	EA*4X48*24A*	*9MV*0802120A**	34800	29000	17.7	13.5	930	835
	EA*4X48*24A*	*9MV*1002120A**	34800	29000	17.7	13.5	920	825
	EA*4X48*24A*	*9MV*1202422A**	35400	29600	18	13.5	960	880
	EA*4X48*24A*	MV16J22**B*	35800	29200	18.2	13.7	1050	840
	EA*4X48*24A*	MV20L24**B*	35800	29200	18.2	13.7	1050	840
	EA*4X48*24A*	OLV112A16A	36200	30000	17.2	12.7	1284	1009
	EA*4X48*24A*	OLV154F20A	36400	30000	18	13.2	1248	1022
	EA*4X48*24A*		35600	29200	15.5	12.2	1200	925
	EHD4X36A**	*8MV*0701412**	35800	29200	17.7	13	1121	858
	EHD4X36A**	*8MV*0901716**	35800	29400	18	13.2	1121	858
	EHD4X36A**	*8MV*1102120**	35800	29200	18	13.2	1121	858
	EHD4X36A**	*8MV*1352422**	36000	29400	18.2	13.5	1121	858
	EHD4X36A**	*8MX*0451408**	35400	28400	17.2	12.5	1075	745
	EHD4X36A**	*8MX*0701716**	35400	29400	17	13	1045	920
	EHD4X36A**	*8MX*0902116**	36200	29600	17.5	13.2	1195	935
	EHD4X36A**	*8MX*1102120**	36200	30400	17.7	13.2	1185	1095
	EHD4X36A**	*9MA*0601714A**	35600	29200	17	12.5	1121	858
	EHD4X36A**	*9MA*0602120A**	35600	29200	17.2	13	1121	858
	EHD4X36A**	*9MA*0801714A**	35600	29200	17.2	13	1121	858
	EHD4X36A**	*9MA*0802120A**	35800	29200	17.7	13.2	1121	858
	EHD4X36A**	*9MA*1002122A**	35800	29200	17.7	13.2	1121	858
	EHD4X36A**	*9MA*1202422A**	35800	29200	17.7	13.2	1121	858
	EHD4X36A**	*9MV*0601714A**	35000	28800	17	13	940	780
	EHD4X36A**	*9MV*0801716A**	35200	29000	17.2	13.2	950	795
	EHD4X36A**	*9MV*0802120A**	34800	28800	17.7	13.2	905	800
	EHD4X36A**	*9MV*1002120A**	34600	28800	17.7	13.2	885	775
	EHD4X36A**	*9MV*1202422A**	35000	29400	17.7	13.2	920	835
	EHD4X36A**	*9MX*0601714A**	35400	28200	17.2	13	1045	710
EHD4X36A**	*9MX*0801716A**	35400	29600	17	13	1035	965	
EHD4X36A**	MV08B15**B*	35600	29200	18	13.5	1050	840	
EHD4X36A**	MV12F19**B*	35600	29200	18.2	13.7	1050	840	
EHD4X36A**	MV16J22**B*	35600	29200	18.2	13.7	1050	840	
EHD4X36A**	MV20L24**B*	35600	29200	18	13.7	1050	840	
EHD4X36A**	OLV112A16A	35600	29400	17.5	13	1083	881	
EHD4X36A**	OLV154F20A	36400	30000	17.7	13.2	1248	1022	
EHD4X36A**	OMV112K14A	36000	29800	17.2	12.7	1207	962	
EHD4X36A**		35000	28800	15.5	12.2	1050	840	
EHD4X42A**	*8MV*0701412**	36000	29400	17.7	13	1121	858	

COOLING PERFORMANCE								
For complete ratings information, use the AHRI website directory search: www.AHRI.org .								
New ratings may be listed online before Specification Sheets are updated.								
Unit Size	Indoor Model	Furnace Model	AHRI STANDARD RATINGS					
			COOLING 95° F (35° C)					
			Capacity		SEER	EER	ID CFM	
			High	Low			High	Low
CCA936GKA	EHD4X42A**	*8MV*0901716**	36200	29400	18.2	13.5	1121	858
	EHD4X42A**	*8MV*1102120**	36200	29400	18.2	13.5	1121	858
	EHD4X42A**	*8MV*1352422**	36200	29400	18.2	13.7	1121	858
	EHD4X42A**	*8MX*0451408**	35600	28600	17.5	12.7	1080	750
	EHD4X42A**	*8MX*0701716**	35600	29600	17.2	13	1060	925
	EHD4X42A**	*8MX*0902116**	36400	29800	17.7	13.2	1205	950
	EHD4X42A**	*8MX*1102120**	36400	30600	17.7	13.5	1205	1110
	EHD4X42A**	*9MA*0601714A**	35800	29400	17.2	12.7	1121	858
	EHD4X42A**	*9MA*0602120A**	36000	29400	17.5	13	1121	858
	EHD4X42A**	*9MA*0801714A**	35800	29400	17.5	13	1121	858
	EHD4X42A**	*9MA*0802120A**	36000	29400	18	13.2	1121	858
	EHD4X42A**	*9MA*1002122A**	36200	29400	18	13.5	1121	858
	EHD4X42A**	*9MA*1202422A**	36000	29400	17.7	13.2	1121	858
	EHD4X42A**	*9MV*0601714A**	35200	29000	17.2	13	945	785
	EHD4X42A**	*9MV*0801716A**	35400	29200	17.5	13.2	960	800
	EHD4X42A**	*9MV*0802120A**	35000	29000	17.7	13.5	915	810
	EHD4X42A**	*9MV*1002120A**	34800	29000	17.7	13.5	900	790
	EHD4X42A**	*9MV*1202422A**	35400	29600	17.7	13.5	935	850
	EHD4X42A**	*9MX*0601714A**	35600	28400	17.5	13	1055	720
	EHD4X42A**	*9MX*0801716A**	35600	29800	17.2	13	1040	975
	EHD4X42A**	MV08B15**B*	35800	29400	18.2	13.5	1050	840
	EHD4X42A**	MV12F19**B*	35800	29400	18.5	13.7	1050	840
	EHD4X42A**	MV16J22**B*	35800	29400	18.2	13.7	1050	840
	EHD4X42A**	MV20L24**B*	35800	29400	18.2	13.7	1050	840
	EHD4X42A**	OLV112A16A	35800	29400	17.5	13	1083	881
	EHD4X42A**	OLV154F20A	36600	30200	18	13.2	1248	1022
	EHD4X42A**	OMV112K14A	35600	29200	17.7	13.2	1034	823
	EHD4X42A**		36000	29400	15.5	12.2	1200	925
	EHD4X48A**	*8MV*0701412**	36000	29600	18	13.2	1121	858
	EHD4X48A**	*8MV*0901716**	36200	29600	18.2	13.5	1121	858
	EHD4X48A**	*8MV*1102120**	36200	29600	18.2	13.5	1121	858
	EHD4X48A**	*8MV*1352422**	36400	29600	18.2	13.7	1121	858
	EHD4X48A**	*8MX*0451408**	35800	28800	17.5	12.7	1080	755
	EHD4X48A**	*8MX*0701716**	35800	29800	17.2	13	1060	930
	EHD4X48A**	*8MX*0902116**	36600	30000	17.7	13.2	1205	950
	EHD4X48A**	*8MX*1102120**	36600	30600	17.7	13.5	1200	1105
	EHD4X48A**	*9MA*0601714A**	35800	29400	17.2	12.7	1121	858
	EHD4X48A**	*9MA*0602120A**	36000	29400	17.7	13	1121	858
	EHD4X48A**	*9MA*0801714A**	36000	29400	17.7	13	1121	858
	EHD4X48A**	*9MA*0802120A**	36200	29600	18	13.2	1121	858
EHD4X48A**	*9MA*1002122A**	36200	29600	18	13.5	1121	858	
EHD4X48A**	*9MA*1202422A**	36200	29600	18	13.2	1121	858	
EHD4X48A**	*9MV*0601714A**	35400	29200	17.2	13	945	790	
EHD4X48A**	*9MV*0801716A**	35600	29400	17.5	13.2	960	805	
EHD4X48A**	*9MV*0802120A**	35200	29200	18	13.5	915	815	
EHD4X48A**	*9MV*1002120A**	35000	29200	18	13.5	900	800	
EHD4X48A**	*9MV*1202422A**	35400	29800	18	13.5	935	855	
EHD4X48A**	*9MX*0601714A**	35800	28600	17.7	13	1055	730	
EHD4X48A**	*9MX*0801716A**	35800	30000	17.2	13.2	1040	975	
EHD4X48A**	MV08B15**B*	36000	29400	18.2	13.7	1050	840	
EHD4X48A**	MV12F19**B*	36000	29400	18.5	13.7	1050	840	
EHD4X48A**	MV16J22**B*	36000	29400	18.5	13.7	1050	840	
EHD4X48A**	MV20L24**B*	36000	29400	18.2	13.7	1050	840	

COOLING PERFORMANCE									
For complete ratings information, use the AHRI website directory search: www.AHRIdirectory.org .									
New ratings may be listed online before Specification Sheets are updated.									
Unit Size	Indoor Model	Furnace Model	AHRI STANDARD RATINGS						
			COOLING 95° F (35° C)						
			Capacity		SEER	EER	ID CFM		
			High	Low			High	Low	
CCA936GKA	EHD4X48A**	OLV112A16A	36400	30200	17.2	12.7	1284	1009	
	EHD4X48A**	OLV154F20A	36800	30400	18	13.5	1248	1022	
	EHD4X48A**	OMV112K14A	35800	29400	18	13.2	1034	823	
	EHD4X48A**		36000	29400	15.7	12.5	1200	925	
	EN(A,D)4X36*21**	*8MV*0901716**		35000	28600	17.5	13	1121	858
	EN(A,D)4X36*21**	*8MV*1102120**		35000	28600	17.5	13	1121	858
	EN(A,D)4X36*21**	*8MX*0701716**		34400	28800	16.7	12.7	1035	910
	EN(A,D)4X36*21**	*8MX*0902116**		35200	29000	17	13	1175	925
	EN(A,D)4X36*21**	*8MX*1102120**		35200	29600	17	13	1160	1070
	EN(A,D)4X36*21**	*9MA*0601714A**		34600	28400	16.7	12.2	1121	858
	EN(A,D)4X36*21**	*9MA*0602120A**		34800	28600	17	12.5	1121	858
	EN(A,D)4X36*21**	*9MA*0801714A**		34800	28600	17	12.5	1121	858
	EN(A,D)4X36*21**	*9MA*0802120A**		35000	28600	17.2	13	1121	858
	EN(A,D)4X36*21**	*9MA*1002122A**		35000	28600	17.2	13	1121	858
	EN(A,D)4X36*21**	*9MV*0601714A**		34000	28200	16.7	12.7	930	775
	EN(A,D)4X36*21**	*9MV*0801716A**		34200	28200	16.7	13	945	790
	EN(A,D)4X36*21**	*9MV*0802120A**		33800	28200	17.2	13	895	795
	EN(A,D)4X36*21**	*9MV*1002120A**		33800	28000	17.2	13	875	765
	EN(A,D)4X36*21**	*9MX*0601714A**		34400	27600	17	12.5	1035	710
	EN(A,D)4X36*21**	*9MX*0801716A**		34400	29000	16.7	12.7	1025	955
	EN(A,D)4X36*21**	MV12F19**B*		34800	28600	17.7	13.2	1050	840
	EN(A,D)4X36*21**	OLV112A16A		34600	28600	17	12.5	1083	881
	EN(A,D)4X36*21**	OMV112K14A		34400	28400	17.2	12.7	1034	823
	EN(A,D)4X36*21**			34800	28400	15.2	12	1200	925
	EN(A,D)4X37*17**	*8MV*0701412**		36200	29600	18	13.2	1121	858
	EN(A,D)4X37*17**	*8MV*0901716**		36400	29600	18.2	13.5	1121	858
	EN(A,D)4X37*17**	*8MX*0451408**		35800	28800	17.5	12.7	1080	755
	EN(A,D)4X37*17**	*8MX*0701716**		36000	30000	17.2	13	1055	930
	EN(A,D)4X37*17**	*9MA*0601714A**		36000	29600	17.5	12.7	1121	858
	EN(A,D)4X37*17**	*9MA*0801714A**		36200	29600	17.7	13	1121	858
	EN(A,D)4X37*17**	*9MV*0601714A**		35400	29200	17.2	13.2	945	790
	EN(A,D)4X37*17**	*9MV*0801716A**		35600	29400	17.5	13.2	960	805
	EN(A,D)4X37*17**	*9MX*0601714A**		35800	28600	17.7	13	1050	730
	EN(A,D)4X37*17**	*9MX*0801716A**		35800	30200	17.2	13.2	1040	975
	EN(A,D)4X37*17**	MV08B15**B*		36200	29600	18.2	13.7	1050	840
	EN(A,D)4X37*17**	OMV112K14A		35800	29400	18	13.2	1034	823
	EN(A,D)4X37*17**			36200	29600	15.7	12.5	1200	925
	EN(A,D)4X43*24**	*8MV*1102120**		36600	29800	18.5	13.7	1121	858
	EN(A,D)4X43*24**	*8MV*1352422**		36600	29800	18.7	14	1121	858
	EN(A,D)4X43*24**	*8MX*0902116**		37000	30400	18	13.5	1240	990
EN(A,D)4X43*24**	*8MX*1102120**		37000	31000	18.2	13.7	1250	1150	
EN(A,D)4X43*24**	*9MA*0602120A**		36400	29600	18	13.2	1121	858	
EN(A,D)4X43*24**	*9MA*0802120A**		36400	29600	18.2	13.5	1121	858	
EN(A,D)4X43*24**	*9MA*1002122A**		36600	29600	18.2	13.7	1121	858	
EN(A,D)4X43*24**	*9MA*1202422A**		36400	29600	18.2	13.7	1121	858	
EN(A,D)4X43*24**	*9MV*1202422A**		36000	30200	18.2	13.7	980	910	
EN(A,D)4X43*24**	MV16J22**B*		36200	29600	18.7	14	1050	840	
EN(A,D)4X43*24**	MV20L24**B*		36200	29600	18.5	14	1050	840	
EN(A,D)4X43*24**	OLV112A16A		36200	29800	18	13.2	1083	881	
EN(A,D)4X43*24**	OLV154F20A		37000	30600	18.5	13.7	1248	1022	
EN(A,D)4X43*24**			36200	29600	15.7	12.5	1200	925	

COOLING PERFORMANCE									
For complete ratings information, use the AHRI website directory search: www.AHRIdirectory.org .									
New ratings may be listed online before Specification Sheets are updated.									
Unit Size	Indoor Model	Furnace Model	AHRI STANDARD RATINGS						
			COOLING 95° F (35° C)						
			Capacity		SEER	EER	ID CFM		
			High	Low			High	Low	
CCA936GKA	EN(A,D)4X48*24**	*8MV*1102120**	36000	29400	18.2	13.5	1121	858	
	EN(A,D)4X48*24**	*8MV*1352422**	36000	29400	18.2	13.7	1121	858	
	EN(A,D)4X48*24**	*8MX*0902116**	36400	30000	17.7	13.2	1230	975	
	EN(A,D)4X48*24**	*8MX*1102120**	36400	30600	17.7	13.5	1235	1135	
	EN(A,D)4X48*24**	*9MA*0602120A**	35800	29200	17.7	13	1121	858	
	EN(A,D)4X48*24**	*9MA*0802120A**	36000	29400	18	13.2	1121	858	
	EN(A,D)4X48*24**	*9MA*1002122A**	36000	29400	18	13.5	1121	858	
	EN(A,D)4X48*24**	*9MA*1202422A**	36000	29400	18	13.5	1121	858	
	EN(A,D)4X48*24**	*9MV*0802120A**	35000	29200	18	13.5	935	840	
	EN(A,D)4X48*24**	*9MV*1002120A**	35000	29200	18	13.5	925	830	
	EN(A,D)4X48*24**	*9MV*1202422A**	35400	29800	18	13.5	960	885	
	EN(A,D)4X48*24**	MV16J22**B*	35800	29200	18.2	13.7	1050	840	
	EN(A,D)4X48*24**	MV20L24**B*	35800	29200	18.2	13.7	1050	840	
	EN(A,D)4X48*24**	OLV112A16A	36200	30000	17.2	12.7	1284	1009	
	EN(A,D)4X48*24**	OLV154F20A	36400	30200	18.2	13.5	1248	1022	
	EN(A,D)4X48*24**		35200	28800	15.5	12.2	1050	840	
	EN(A,D,W)4X36*17**	*8MV*0701412**	34800	28600	17.2	12.7	1121	858	
	EN(A,D,W)4X36*17**	*8MV*0901716**	35000	28600	17.5	13	1121	858	
	EN(A,D,W)4X36*17**	*8MX*0451408**	34400	27800	17	12.2	1055	740	
	EN(A,D,W)4X36*17**	*8MX*0701716**	34400	28800	16.7	12.7	1030	905	
	EN(A,D,W)4X36*17**	*9MA*0601714A**	34600	28400	16.7	12.2	1121	858	
	EN(A,D,W)4X36*17**	*9MA*0801714A**	34800	28600	17	12.5	1121	858	
	EN(A,D,W)4X36*17**	*9MV*0601714A**	34000	28200	16.7	12.7	925	775	
	EN(A,D,W)4X36*17**	*9MV*0801716A**	34200	28200	16.7	13	940	790	
	EN(A,D,W)4X36*17**	*9MX*0601714A**	34400	27600	17	12.5	1030	710	
	EN(A,D,W)4X36*17**	*9MX*0801716A**	34400	29000	16.7	12.7	1020	955	
	EN(A,D,W)4X36*17**	MV08B15**B*	34800	28600	17.5	13.2	1050	840	
	EN(A,D,W)4X36*17**	OMV112K14A	34400	28400	17.2	12.7	1034	823	
	EN(A,D,W)4X36*17**		34800	28400	15.2	12	1200	925	
	EN(A,D,W)4X42*21**	*8MV*0901716**	35400	29000	17.7	13.2	1121	858	
	EN(A,D,W)4X42*21**	*8MV*1102120**	35400	29000	17.7	13.2	1121	858	
	EN(A,D,W)4X42*21**	*8MX*0701716**	34800	29000	16.7	12.7	1045	915	
	EN(A,D,W)4X42*21**	*8MX*0902116**	35600	29200	17.2	13	1190	935	
	EN(A,D,W)4X42*21**	*8MX*1102120**	35600	30000	17.2	13.2	1185	1090	
	EN(A,D,W)4X42*21**	*9MA*0601714A**	35000	28800	17	12.5	1121	858	
	EN(A,D,W)4X42*21**	*9MA*0602120A**	35200	28800	17.2	12.7	1121	858	
	EN(A,D,W)4X42*21**	*9MA*0801714A**	35200	28800	17.2	12.7	1121	858	
	EN(A,D,W)4X42*21**	*9MA*0802120A**	35400	28800	17.5	13	1121	858	
	EN(A,D,W)4X42*21**	*9MA*1002122A**	35400	29000	17.5	13.2	1121	858	
	EN(A,D,W)4X42*21**	*9MV*0601714A**	34400	28400	16.7	13	935	780	
EN(A,D,W)4X42*21**	*9MV*0801716A**	34600	28600	17	13	950	795		
EN(A,D,W)4X42*21**	*9MV*0802120A**	34200	28600	17.5	13.2	900	800		
EN(A,D,W)4X42*21**	*9MV*1002120A**	34200	28400	17.5	13.2	885	775		
EN(A,D,W)4X42*21**	*9MX*0601714A**	34800	27800	17.2	12.7	1045	715		
EN(A,D,W)4X42*21**	*9MX*0801716A**	34800	29400	16.7	13	1030	965		
EN(A,D,W)4X42*21**	MV12F19**B*	35200	28800	18	13.5	1050	840		
EN(A,D,W)4X42*21**	OLV112A16A	35000	29000	17.2	13	1083	881		

COOLING PERFORMANCE								
For complete ratings information, use the AHRI website directory search: www.AHRIdirectory.org .								
New ratings may be listed online before Specification Sheets are updated.								
Unit Size	Indoor Model	Furnace Model	AHRI STANDARD RATINGS					
			COOLING 95° F (35° C)					
			Capacity		SEER	EER	ID CFM	
			High	Low			High	Low
CCA936GKA	EN(A,D,W)4X42*21**	OMV112K14A	34800	28600	17.5	13	1034	823
	EN(A,D,W)4X42*21**		35200	28800	15.2	12.2	1200	925
	EN(A,D,W)4X48*21**	*8MV*0901716**	36000	29400	18.2	13.5	1121	858
	EN(A,D,W)4X48*21**	*8MV*1102120**	36000	29400	18.2	13.5	1121	858
	EN(A,D,W)4X48*21**	*8MX*0701716**	35600	29600	17.2	13	1080	945
	EN(A,D,W)4X48*21**	*8MX*0902116**	36400	30000	17.7	13.2	1230	975
	EN(A,D,W)4X48*21**	*8MX*1102120**	36400	30600	17.7	13.5	1235	1135
	EN(A,D,W)4X48*21**	*9MA*0601714A**	35600	29200	17.2	12.7	1121	858
	EN(A,D,W)4X48*21**	*9MA*0602120A**	35800	29200	17.7	13	1121	858
	EN(A,D,W)4X48*21**	*9MA*0801714A**	35800	29200	17.5	13	1121	858
	EN(A,D,W)4X48*21**	*9MA*0802120A**	36000	29400	18	13.2	1121	858
	EN(A,D,W)4X48*21**	*9MA*1002122A**	36000	29400	18	13.5	1121	858
	EN(A,D,W)4X48*21**	*9MV*0601714A**	35200	29000	17.2	13	960	805
	EN(A,D,W)4X48*21**	*9MV*0801716A**	35400	29200	17.5	13.2	970	820
	EN(A,D,W)4X48*21**	*9MV*0802120A**	35000	29200	18	13.5	935	840
	EN(A,D,W)4X48*21**	*9MV*1002120A**	35000	29200	18	13.5	925	830
	EN(A,D,W)4X48*21**	*9MX*0601714A**	35600	28400	17.5	13	1070	740
	EN(A,D,W)4X48*21**	*9MX*0801716A**	35600	29800	17.2	13	1055	990
	EN(A,D,W)4X48*21**	MV12F19**B*	35800	29400	18.5	13.7	1050	840
	EN(A,D,W)4X48*21**	OLV112A16A	35600	29400	17.7	13.2	1083	881
	EN(A,D,W)4X48*21**	OMV112K14A	36200	29800	17.7	13	1207	962
	EN(A,D,W)4X48*21**		35200	28800	15.5	12.2	1050	840
	END4X42*17**	*8MV*0701412**	35600	29200	17.5	13	1121	858
	END4X42*17**	*8MV*0901716**	35600	29200	18	13.2	1121	858
	END4X42*17**	*8MX*0451408**	35200	28400	17.2	12.5	1070	745
	END4X42*17**	*8MX*0701716**	35200	29400	17	13	1045	915
	END4X42*17**	*9MA*0601714A**	35400	29000	17	12.5	1121	858
	END4X42*17**	*9MA*0801714A**	35400	29000	17.2	12.7	1121	858
	END4X42*17**	*9MV*0601714A**	34800	28800	17	13	935	785
	END4X42*17**	*9MV*0801716A**	35000	28800	17.2	13	950	800
	END4X42*17**	*9MX*0601714A**	35200	28000	17.2	13	1040	715
	END4X42*17**	*9MX*0801716A**	35200	29600	17	13	1030	965
	END4X42*17**	MV08B15**B*	35400	29000	18	13.5	1050	840
	END4X42*17**	OMV112K14A	35200	29000	17.7	13	1034	823
	END4X42*17**		35000	28600	15.5	12.2	1050	840
	ENH4X36*17**	*8MV*0701412**	34800	28600	17.2	12.7	1121	858
	ENH4X36*17**	*8MV*0901716**	35000	28600	17.5	13	1121	858
	ENH4X36*17**	*8MV*1102120**	35000	28600	17.5	13	1121	858
	ENH4X36*17**	*8MV*1352422**	35000	28600	17.7	13	1121	858
	ENH4X36*17**	*8MX*0451408**	34400	27800	17	12.2	1055	740
	ENH4X36*17**	*8MX*0701716**	34400	28800	16.7	12.7	1030	905
	ENH4X36*17**	*8MX*0902116**	35000	28800	17	13	1165	920
	ENH4X36*17**	*8MX*1102120**	35000	29400	17	13	1150	1065
	ENH4X36*17**	*9MA*0601714A**	34600	28400	16.7	12.2	1121	858
	ENH4X36*17**	*9MA*0801714A**	34800	28600	17	12.5	1121	858
	ENH4X36*17**	*9MA*1202422A**	34800	28600	17.2	13	1121	858
	ENH4X36*17**	*9MV*0601714A**	34000	28200	16.7	12.7	925	775
	ENH4X36*17**	*9MV*0801716A**	34200	28200	16.7	13	940	790
	ENH4X36*17**	*9MV*1202422A**	34200	28600	17.2	13	905	815
	ENH4X36*17**	*9MX*0601714A**	34400	27600	17	12.5	1030	710
	ENH4X36*17**	*9MX*0801716A**	34400	29000	16.7	12.7	1020	955

COOLING PERFORMANCE								
For complete ratings information, use the AHRI website directory search: www.AHRI.org .								
New ratings may be listed online before Specification Sheets are updated.								
Unit Size	Indoor Model	Furnace Model	AHRI STANDARD RATINGS					
			COOLING 95° F (35° C)					
			Capacity		SEER	EER	ID CFM	
			High	Low			High	Low
CCA936GKA	ENH4X36*17**	MV08B15**B*	34800	28600	17.5	13.2	1050	840
	ENH4X36*17**	OLV112A16A	34600	28600	17	12.5	1083	881
	ENH4X36*17**	OLV154F20A	35400	29400	17.2	13	1248	1022
	ENH4X36*17**	OMV112K14A	34400	28400	17.2	12.7	1034	823
	ENH4X36*17**		34800	28400	15.2	12	1200	925
	ENH4X42*21**	*8MV*0701412**	35200	28800	17.5	13	1121	858
	ENH4X42*21**	*8MV*0901716**	35400	29000	17.7	13.2	1121	858
	ENH4X42*21**	*8MV*1102120**	35400	29000	17.7	13.2	1121	858
	ENH4X42*21**	*8MV*1352422**	35400	29000	18	13.2	1121	858
	ENH4X42*21**	*8MX*0451408**	34800	28200	17	12.5	1070	745
	ENH4X42*21**	*8MX*0701716**	34800	29000	16.7	12.7	1045	915
	ENH4X42*21**	*8MX*0902116**	35600	29200	17.2	13	1190	935
	ENH4X42*21**	*8MX*1102120**	35600	30000	17.2	13.2	1185	1090
	ENH4X42*21**	*9MA*0601714A**	35000	28800	17	12.5	1121	858
	ENH4X42*21**	*9MA*0602120A**	35200	28800	17.2	12.7	1121	858
	ENH4X42*21**	*9MA*0801714A**	35200	28800	17.2	12.7	1121	858
	ENH4X42*21**	*9MA*0802120A**	35400	28800	17.5	13	1121	858
	ENH4X42*21**	*9MA*1002122A**	35400	29000	17.5	13.2	1121	858
	ENH4X42*21**	*9MA*1202422A**	35400	28800	17.5	13	1121	858
	ENH4X42*21**	*9MV*0601714A**	34400	28400	16.7	13	935	780
	ENH4X42*21**	*9MV*0801716A**	34600	28600	17	13	950	795
	ENH4X42*21**	*9MV*0802120A**	34200	28600	17.5	13.2	900	800
	ENH4X42*21**	*9MV*1002120A**	34200	28400	17.5	13.2	885	775
	ENH4X42*21**	*9MV*1202422A**	34600	29000	17.5	13.2	920	835
	ENH4X42*21**	*9MX*0601714A**	34800	27800	17.2	12.7	1045	715
	ENH4X42*21**	*9MX*0801716A**	34800	29400	16.7	13	1030	965
	ENH4X42*21**	MV12F19**B*	35200	28800	18	13.5	1050	840
	ENH4X42*21**	OLV112A16A	35000	29000	17.2	13	1083	881
	ENH4X42*21**	OLV154F20A	35800	29800	17.5	13	1248	1022
	ENH4X42*21**	OMV112K14A	34800	28600	17.5	13	1034	823
	ENH4X42*21**		35200	28800	15.2	12.2	1200	925
	ENH4X43*21**	*8MV*0701412**	36400	29600	18	13.2	1121	858
	ENH4X43*21**	*8MV*0901716**	36400	29800	18.5	13.7	1121	858
	ENH4X43*21**	*8MV*1102120**	36400	29800	18.5	13.7	1121	858
	ENH4X43*21**	*8MV*1352422**	36600	29800	18.5	13.7	1121	858
	ENH4X43*21**	*8MX*0451408**	36000	29000	17.7	13	1095	765
	ENH4X43*21**	*8MX*0701716**	36000	30000	17.5	13.2	1070	940
	ENH4X43*21**	*8MX*0902116**	36800	30200	18	13.5	1220	970
	ENH4X43*21**	*8MX*1102120**	37000	31000	18	13.7	1225	1125
	ENH4X43*21**	*9MA*0601714A**	36200	29600	17.5	13	1121	858
ENH4X43*21**	*9MA*0602120A**	36200	29600	17.7	13.2	1121	858	
ENH4X43*21**	*9MA*0801714A**	36200	29600	17.7	13	1121	858	
ENH4X43*21**	*9MA*0802120A**	36400	29600	18.2	13.5	1121	858	
ENH4X43*21**	*9MA*1002122A**	36400	29600	18.2	13.7	1121	858	
ENH4X43*21**	*9MA*1202422A**	36400	29600	18.2	13.5	1121	858	
ENH4X43*21**	*9MV*0601714A**	35600	29400	17.5	13.2	955	800	
ENH4X43*21**	*9MV*0801716A**	35800	29600	17.7	13.2	970	815	
ENH4X43*21**	*9MV*0802120A**	35400	29600	18	13.5	930	835	
ENH4X43*21**	*9MV*1002120A**	35400	29400	18	13.5	920	825	
ENH4X43*21**	*9MV*1202422A**	35800	30000	18.2	13.7	955	875	
ENH4X43*21**	*9MX*0601714A**	36000	28800	17.7	13	1065	740	
ENH4X43*21**	*9MX*0801716A**	36000	30200	17.5	13.2	1050	985	
ENH4X43*21**	MV12F19**B*	36200	29600	18.7	14	1050	840	
ENH4X43*21**	OLV112A16A	36200	29800	17.7	13.2	1083	881	
ENH4X43*21**	OLV154F20A	37000	30600	18.2	13.5	1248	1022	

COOLING PERFORMANCE								
For complete ratings information, use the AHRI website directory search: www.AHRIdirectory.org .								
New ratings may be listed online before Specification Sheets are updated.								
Unit Size	Indoor Model	Furnace Model	AHRI STANDARD RATINGS					
			COOLING 95° F (35° C)					
			Capacity		SEER	EER	ID CFM	
			High	Low			High	Low
CCA936GKA	ENH4X43*21**	OMV112K14A	36600	30200	17.7	13	1207	962
	ENH4X43*21**		36200	29600	15.7	12.5	1200	925
	ENH4X48*21**	*8MV*0701412**	35800	29400	18	13.2	1121	858
	ENH4X48*21**	*8MV*0901716**	36000	29400	18.2	13.5	1121	858
	ENH4X48*21**	*8MV*1102120**	36000	29400	18.2	13.5	1121	858
	ENH4X48*21**	*8MV*1352422**	36000	29400	18.2	13.7	1121	858
	ENH4X48*21**	*8MX*0451408**	35600	28600	17.5	12.7	1100	765
	ENH4X48*21**	*8MX*0701716**	35600	29600	17.2	13	1080	945
	ENH4X48*21**	*8MX*0902116**	36400	30000	17.7	13.2	1230	975
	ENH4X48*21**	*8MX*1102120**	36400	30600	17.7	13.5	1235	1135
	ENH4X48*21**	*9MA*0601714A**	35600	29200	17.2	12.7	1121	858
	ENH4X48*21**	*9MA*0602120A**	35800	29200	17.7	13	1121	858
	ENH4X48*21**	*9MA*0801714A**	35800	29200	17.5	13	1121	858
	ENH4X48*21**	*9MA*0802120A**	36000	29400	18	13.2	1121	858
	ENH4X48*21**	*9MA*1002122A**	36000	29400	18	13.5	1121	858
	ENH4X48*21**	*9MA*1202422A**	36000	29400	18	13.5	1121	858
	ENH4X48*21**	*9MV*0601714A**	35200	29000	17.2	13	960	805
	ENH4X48*21**	*9MV*0801716A**	35400	29200	17.5	13.2	970	820
	ENH4X48*21**	*9MV*0802120A**	35000	29200	18	13.5	935	840
	ENH4X48*21**	*9MV*1002120A**	35000	29200	18	13.5	925	830
	ENH4X48*21**	*9MV*1202422A**	35400	29800	18	13.5	960	885
	ENH4X48*21**	*9MX*0601714A**	35600	28400	17.5	13	1070	740
	ENH4X48*21**	*9MX*0801716A**	35600	29800	17.2	13	1055	990
	ENH4X48*21**	MV12F19**B*	35800	29400	18.5	13.7	1050	840
	ENH4X48*21**	OLV112A16A	36200	30000	17.2	12.7	1284	1009
	ENH4X48*21**	OLV154F20A	36400	30200	18	13.5	1248	1022
	ENH4X48*21**	OMV112K14A	35400	29200	18	13.2	1034	823
	ENH4X48*21**		35200	28800	15.5	12.2	1050	840

ENERGY STAR compliance for combinations with both: SEER 14.50 or higher and EER 12.00 or higher.
 † For coils not listed with a matching furnace or blower, coil rating applies with any indoor blower device

COOLING PERFORMANCE								
For complete ratings information, use the AHRI website directory search: www.AHRIdirectory.org .								
New ratings may be listed online before Specification Sheets are updated.								
Unit Size	Indoor Model	Furnace Model	AHRI STANDARD RATINGS					
			COOLING 95° F (35° C)					
			Capacity		SEER	EER	ID CFM	
			High	Low			High	Low
CCA948GKA	*FCM4X60****		48000	39500	18	13.5	1400	1120
	FCM4X48****		47500	38500	17.5	13.2	1300	1040
	FVM4X48****		47500	39000	17.5	13.2	1400	1120
	FVM4X60****		48000	39500	18	13.5	1400	1120
	EA*4X48*17A*	*8MV*0901716**	46500	38500	17	12.7	1300	1040
	EA*4X48*17A*	*8MX*0701716**	46000	39000	15.2	11.7	1415	1245
	EA*4X48*17A*	*9MV*0801716A**	46000	38500	16.2	12.5	1255	1085
	EA*4X48*17A*	*9MX*0801716A**	46500	38000	16.2	12	1350	1045
	EA*4X48*17A*		46500	38000	15.2	12.2	1400	1120
	EA*4X48*21A*	*8MV*0901716**	46000	38000	16.7	12.7	1300	1040
	EA*4X48*21A*	*8MV*1102120**	46500	38000	17	12.7	1300	1040
	EA*4X48*21A*	*8MX*0701716**	45500	38000	16	11.7	1430	1080
	EA*4X48*21A*	*8MX*0902116**	46000	38500	16.7	12.5	1395	1090
	EA*4X48*21A*	*8MX*1102120**	46000	38500	17	13	1350	1110
	EA*4X48*21A*	*9MA*0602120A**	45500	38000	16.2	12.2	1300	1040
	EA*4X48*21A*	*9MA*0802120A**	46000	38000	16.7	12.5	1300	1040
	EA*4X48*21A*	*9MA*1002122A**	46000	38000	16.7	12.7	1300	1040
	EA*4X48*21A*	*9MV*0801716A**	45500	38000	16	12.2	1265	1095
	EA*4X48*21A*	*9MV*0802120A**	45500	38500	16.5	12.7	1230	1090
	EA*4X48*21A*	*9MV*1002120A**	45500	38000	16.5	12.7	1215	1075
	EA*4X48*21A*	*9MX*0801716A**	46000	38000	16.2	12	1365	1055
	EA*4X48*21A*	*9MX*0802120A**	46000	39000	16.2	12.5	1385	1240
	EA*4X48*21A*	*9MX*1002120A**	46000	39000	16.5	12.5	1360	1180
	EA*4X48*21A*	OLV112A16A	46000	38500	16	12	1449	1169
	EA*4X48*21A*		46000	38000	15	12	1400	1120
	EA*4X48*24A*	*8MV*1102120**	46500	38000	17	13	1300	1040
	EA*4X48*24A*	*8MV*1352422**	46500	38000	17	13	1300	1040
	EA*4X48*24A*	*8MX*0902116**	46500	38500	16.7	12.5	1415	1100
	EA*4X48*24A*	*8MX*1102120**	46500	38500	17	13	1375	1130
	EA*4X48*24A*	*8MX*1352420**	46500	39000	16.5	12.7	1400	1230
	EA*4X48*24A*	*9MA*0602120A**	45500	38000	16.2	12.5	1300	1040
	EA*4X48*24A*	*9MA*0802120A**	46000	38000	16.7	12.7	1300	1040
	EA*4X48*24A*	*9MA*1002122A**	46000	38000	17	13	1300	1040
	EA*4X48*24A*	*9MA*1202422A**	46500	38000	16.7	12.7	1300	1040
	EA*4X48*24A*	*9MV*0802120A**	45500	38500	16.7	12.7	1250	1110
	EA*4X48*24A*	*9MV*1002120A**	45500	38500	16.7	12.7	1230	1090
	EA*4X48*24A*	*9MV*1202422A**	46000	38500	16.7	13	1270	1115
	EA*4X48*24A*	*9MX*0802120A**	46500	39000	16.2	12.5	1405	1255
	EA*4X48*24A*	*9MX*1002120A**	46000	39000	16.5	12.7	1380	1200
	EA*4X48*24A*	*9MX*1202422A**	46500	39000	16.2	12.5	1410	1285
EA*4X48*24A*	MV16J22**B*	46500	38500	17.2	13.2	1400	1120	
EA*4X48*24A*	MV20L24**B*	46500	38500	17.2	13.2	1400	1120	
EA*4X48*24A*	OLV112A16A	46000	38500	16	12	1449	1169	
EA*4X48*24A*	OLV154F20A	46500	39000	17	12.7	1447	1171	
EA*4X48*24A*		46000	38000	15	12	1400	1120	
EA*4X60*21A*	*8MV*0901716**	47500	38500	17	13	1300	1040	
EA*4X60*21A*	*8MV*1102120**	47500	38500	17.2	13	1300	1040	
EA*4X60*21A*	*8MX*0701716**	47000	38500	16.2	12	1445	1090	
EA*4X60*21A*	*8MX*0902116**	47500	39000	17	13	1410	1100	
EA*4X60*21A*	*8MX*1102120**	47500	39000	17.2	13	1370	1125	
EA*4X60*21A*	*9MA*0602120A**	46500	38500	16.5	12.5	1300	1040	
* Tested Combo								

COOLING PERFORMANCE								
For complete ratings information, use the AHRI website directory search: www.AHRIdirectory.org .								
New ratings may be listed online before Specification Sheets are updated.								
Unit Size	Indoor Model	Furnace Model	AHRI STANDARD RATINGS					
			COOLING 95° F (35° C)					
			Capacity		SEER	EER	ID CFM	
			High	Low			High	Low
CCA948GKA	EA*4X60*21A*	*9MA*0802120A**	47000	38500	17	13	1300	1040
	EA*4X60*21A*	*9MA*1002122A**	47000	38500	17	13	1300	1040
	EA*4X60*21A*	*9MV*0801716A**	46500	38500	16.2	12.5	1280	1105
	EA*4X60*21A*	*9MV*0802120A**	46500	39000	16.7	13	1245	1105
	EA*4X60*21A*	*9MV*1002120A**	46500	38500	17	13	1230	1090
	EA*4X60*21A*	*9MX*0801716A**	47500	38500	16.2	12.2	1375	1065
	EA*4X60*21A*	*9MX*0802120A**	47500	39500	16.5	13	1400	1255
	EA*4X60*21A*	*9MX*1002120A**	47500	39500	16.7	13	1375	1205
	EA*4X60*21A*	OLV112A16A	47000	39000	16.2	12.2	1449	1169
	EA*4X60*21A*		47000	38500	15.2	12.2	1400	1120
	EA*4X60*24A*	*8MV*1102120**	47500	38500	17.2	13	1300	1040
	EA*4X60*24A*	*8MV*1352422**	47500	38500	17.2	13.2	1300	1040
	EA*4X60*24A*	*8MX*0902116**	47500	39000	17	13	1420	1100
	EA*4X60*24A*	*8MX*1102120**	47500	39000	17.2	13	1380	1130
	EA*4X60*24A*	*8MX*1352420**	47500	39500	17	13	1400	1235
	EA*4X60*24A*	*9MA*0602120A**	46500	38500	16.5	12.5	1300	1040
	EA*4X60*24A*	*9MA*0802120A**	47000	38500	17	13	1300	1040
	EA*4X60*24A*	*9MA*1002122A**	47000	38500	17	13	1300	1040
	EA*4X60*24A*	*9MA*1202422A**	47500	38500	17	13	1300	1040
	EA*4X60*24A*	*9MV*0802120A**	46500	39000	17	13	1250	1110
	EA*4X60*24A*	*9MV*1002120A**	46500	39000	17	13	1235	1095
	EA*4X60*24A*	*9MV*1202422A**	47000	39000	17	13	1270	1115
	EA*4X60*24A*	*9MX*0802120A**	47500	39500	16.5	13	1410	1260
	EA*4X60*24A*	*9MX*1002120A**	47500	39500	16.7	13	1385	1200
	EA*4X60*24A*	*9MX*1202422A**	47500	39500	16.5	13	1415	1290
	EA*4X60*24A*	MV16J22**B*	47500	39000	17.5	13.5	1400	1120
	EA*4X60*24A*	MV20L24**B*	47500	39000	17.5	13.5	1400	1120
	EA*4X60*24A*	OLV112A16A	47000	39000	16.2	12.2	1449	1169
	EA*4X60*24A*	OLV154F20A	47500	39500	17	13	1447	1171
	EA*4X60*24A*		47000	38500	15.2	12.2	1400	1120
	EHD4X48A**	*8MV*0901716**	47000	38500	17	13	1300	1040
	EHD4X48A**	*8MV*1102120**	47000	38500	17	13	1300	1040
	EHD4X48A**	*8MV*1352422**	47000	38500	17.2	13	1300	1040
	EHD4X48A**	*8MX*0701716**	46000	38500	16.2	11.7	1425	1075
	EHD4X48A**	*8MX*0902116**	47000	39000	17	12.7	1390	1080
	EHD4X48A**	*8MX*1102120**	46500	40000	16.5	13	1340	1340
	EHD4X48A**	*8MX*1352420**	46500	39500	16.7	12.7	1360	1200
	EHD4X48A**	*9MA*0602120A**	46000	38500	16.5	12.5	1300	1040
	EHD4X48A**	*9MA*0802120A**	46500	38500	16.7	12.7	1300	1040
	EHD4X48A**	*9MA*1002122A**	46500	38500	17	13	1300	1040
EHD4X48A**	*9MA*1202422A**	47000	38500	16.7	12.7	1300	1040	
EHD4X48A**	*9MV*0801716A**	46000	38500	16.2	12.5	1265	1090	
EHD4X48A**	*9MV*0802120A**	46000	38500	16.7	13	1225	1085	
EHD4X48A**	*9MV*1002120A**	46000	38500	16.7	13	1205	1070	
EHD4X48A**	*9MV*1202422A**	46000	39000	16.7	13	1240	1090	
EHD4X48A**	*9MX*0801716A**	46500	38500	16.2	12.2	1360	1050	
EHD4X48A**	*9MX*0802120A**	46500	39500	16.5	12.7	1380	1235	
EHD4X48A**	*9MX*1002120A**	46500	39000	16.7	12.7	1350	1175	
EHD4X48A**	*9MX*1202422A**	47000	39500	16.5	12.7	1375	1255	
EHD4X48A**	MV16J22**B*	47000	39000	17.5	13.2	1400	1120	
EHD4X48A**	MV20L24**B*	47000	39000	17.5	13.2	1400	1120	

COOLING PERFORMANCE								
For complete ratings information, use the AHRI website directory search: www.AHRIdirectory.org .								
New ratings may be listed online before Specification Sheets are updated.								
Unit Size	Indoor Model	Furnace Model	AHRI STANDARD RATINGS					
			COOLING 95° F (35° C)					
			Capacity		SEER	EER	ID CFM	
			High	Low			High	Low
CCA948GKA	EHD4X48A**	OLV112A16A	46500	39000	16	12	1449	1169
	EHD4X48A**	OLV154F20A	47000	39500	17	12.7	1447	1171
	EHD4X48A**		46500	38500	15.2	12.2	1400	1120
	EHD4X60A**	*8MV*0901716**	47500	39000	17.2	13	1300	1040
	EHD4X60A**	*8MV*1102120**	47500	39000	17.2	13.2	1300	1040
	EHD4X60A**	*8MV*1352422**	48000	39000	17.5	13.2	1300	1040
	EHD4X60A**	*8MX*0701716**	47000	39000	16.5	12	1465	1095
	EHD4X60A**	*8MX*0902116**	47500	39500	17.2	13	1430	1110
	EHD4X60A**	*8MX*1102120**	47500	39500	17.2	13.2	1395	1135
	EHD4X60A**	*8MX*1352420**	48000	40000	17	13	1420	1250
	EHD4X60A**	*9MA*0602120A**	47000	38500	16.7	12.7	1300	1040
	EHD4X60A**	*9MA*0802120A**	47000	39000	17	13	1300	1040
	EHD4X60A**	*9MA*1002122A**	47000	39000	17.2	13.2	1300	1040
	EHD4X60A**	*9MA*1202422A**	47500	39000	17	13	1300	1040
	EHD4X60A**	*9MV*0801716A**	47000	39000	16.5	12.5	1290	1110
	EHD4X60A**	*9MV*0802120A**	47000	39500	17	13	1260	1115
	EHD4X60A**	*9MV*1002120A**	47000	39000	17	13	1240	1100
	EHD4X60A**	*9MV*1202422A**	47000	39500	17	13	1280	1120
	EHD4X60A**	*9MX*0801716A**	47500	39000	16.5	12.5	1390	1070
	EHD4X60A**	*9MX*0802120A**	47500	40000	16.7	13	1420	1265
	EHD4X60A**	*9MX*1002120A**	47500	40000	17	13	1400	1210
	EHD4X60A**	*9MX*1202422A**	48000	40000	16.7	13	1430	1300
	EHD4X60A**	MV16J22**B*	48000	39500	17.7	13.5	1400	1120
	EHD4X60A**	MV20L24**B*	48000	39500	17.7	13.5	1400	1120
	EHD4X60A**	OLV112A16A	47500	39500	16.5	12.5	1449	1169
	EHD4X60A**	OLV154F20A	48000	39500	17.2	13	1447	1171
	EHD4X60A**		47000	38500	15.5	12.5	1400	1120
	EN(A,D)4X48*24**	*8MV*1102120**	46500	38000	17	13	1300	1040
	EN(A,D)4X48*24**	*8MV*1352422**	46500	38500	17.2	13	1300	1040
	EN(A,D)4X48*24**	*8MX*0902116**	46500	38500	17	12.7	1420	1105
	EN(A,D)4X48*24**	*8MX*1102120**	46500	39000	17	13	1380	1130
	EN(A,D)4X48*24**	*8MX*1352420**	46500	39000	16.7	12.7	1400	1235
	EN(A,D)4X48*24**	*9MA*0602120A**	45500	38000	16.2	12.5	1300	1040
	EN(A,D)4X48*24**	*9MA*0802120A**	46000	38000	16.7	12.7	1300	1040
	EN(A,D)4X48*24**	*9MA*1002122A**	46000	38000	17	13	1300	1040
	EN(A,D)4X48*24**	*9MA*1202422A**	46500	38000	16.7	12.7	1300	1040
	EN(A,D)4X48*24**	*9MV*0802120A**	46000	38500	16.7	13	1250	1110
	EN(A,D)4X48*24**	*9MV*1002120A**	45500	38500	16.7	13	1235	1095
	EN(A,D)4X48*24**	*9MV*1202422A**	46000	38500	16.7	13	1270	1120
	EN(A,D)4X48*24**	*9MX*0802120A**	46500	39000	16.5	12.5	1410	1260
	EN(A,D)4X48*24**	*9MX*1002120A**	46500	39000	16.5	12.7	1385	1205
	EN(A,D)4X48*24**	*9MX*1202422A**	46500	39500	16.5	12.5	1415	1290
	EN(A,D)4X48*24**	MV16J22**B*	47000	39000	17.5	13.2	1400	1120
	EN(A,D)4X48*24**	MV20L24**B*	47000	39000	17.5	13.2	1400	1120
	EN(A,D)4X48*24**	OLV112A16A	46000	38500	16	12	1449	1169
	EN(A,D)4X48*24**	OLV154F20A	46500	39000	17	12.7	1447	1171
	EN(A,D)4X48*24**		46000	38000	15	12	1400	1120
	EN(A,D)4X61*24**	*8MV*1102120**	48000	39000	17.5	13.2	1300	1040
	EN(A,D)4X61*24**	*8MV*1352422**	48000	39000	17.7	13.5	1300	1040
	EN(A,D)4X61*24**	*8MX*0902116**	48000	39500	17.5	13	1435	1125
EN(A,D)4X61*24**	*8MX*1102120**	48000	40000	17.5	13.2	1400	1160	
EN(A,D)4X61*24**	*8MX*1352420**	48000	40500	17.2	13.2	1425	1265	

COOLING PERFORMANCE								
For complete ratings information, use the AHRI website directory search: www.AHRIdirectory.org .								
New ratings may be listed online before Specification Sheets are updated.								
Unit Size	Indoor Model	Furnace Model	AHRI STANDARD RATINGS					
			COOLING 95° F (35° C)					
			Capacity		SEER	EER	ID CFM	
			High	Low			High	Low
CCA948GKA	EN(A,D)4X61*24**	*9MA*0602120A**	47000	39000	17	12.7	1300	1040
	EN(A,D)4X61*24**	*9MA*0802120A**	47500	39000	17.2	13.2	1300	1040
	EN(A,D)4X61*24**	*9MA*1002122A**	47500	39000	17.5	13.2	1300	1040
	EN(A,D)4X61*24**	*9MA*1202422A**	48000	39000	17.5	13.2	1300	1040
	EN(A,D)4X61*24**	*9MV*0802120A**	47500	39500	17.2	13.2	1270	1135
	EN(A,D)4X61*24**	*9MV*1002120A**	47500	39500	17.2	13.2	1255	1120
	EN(A,D)4X61*24**	*9MV*1202422A**	47500	39500	17.2	13.2	1295	1145
	EN(A,D)4X61*24**	*9MX*0802120A**	48000	40500	17	13	1425	1275
	EN(A,D)4X61*24**	*9MX*1002120A**	48000	40000	17.2	13	1405	1225
	EN(A,D)4X61*24**	*9MX*1202422A**	48500	40500	17	13	1435	1315
	EN(A,D)4X61*24**	MV16J22**B*	48500	39500	18	13.7	1400	1120
	EN(A,D)4X61*24**	MV20L24**B*	48500	40000	18	13.7	1400	1120
	EN(A,D)4X61*24**	OLV112A16A	47500	39500	16.5	12.5	1449	1169
	EN(A,D)4X61*24**	OLV154F20A	48000	40000	17.5	13.2	1447	1171
	EN(A,D)4X61*24**		47500	39000	15.5	12.5	1400	1120
	EN(A,D,W)4X48*21**	*8MV*0901716**	46500	38000	17	13	1300	1040
	EN(A,D,W)4X48*21**	*8MV*1102120**	46500	38000	17	13	1300	1040
	EN(A,D,W)4X48*21**	*8MX*0701716**	46000	38500	16	11.7	1455	1095
	EN(A,D,W)4X48*21**	*8MX*0902116**	46500	38500	17	12.7	1420	1105
	EN(A,D,W)4X48*21**	*8MX*1102120**	46500	39000	17	13	1380	1130
	EN(A,D,W)4X48*21**	*9MA*0602120A**	45500	38000	16.2	12.5	1300	1040
	EN(A,D,W)4X48*21**	*9MA*0802120A**	46000	38000	16.7	12.7	1300	1040
	EN(A,D,W)4X48*21**	*9MA*1002122A**	46000	38000	17	13	1300	1040
	EN(A,D,W)4X48*21**	*9MV*0801716A**	45500	38500	16.2	12.5	1280	1105
	EN(A,D,W)4X48*21**	*9MV*0802120A**	46000	38500	16.7	13	1250	1110
	EN(A,D,W)4X48*21**	*9MV*1002120A**	45500	38500	16.7	13	1235	1095
	EN(A,D,W)4X48*21**	*9MX*0801716A**	46000	38000	16.2	12	1380	1065
	EN(A,D,W)4X48*21**	*9MX*0802120A**	46500	39000	16.5	12.5	1410	1260
	EN(A,D,W)4X48*21**	*9MX*1002120A**	46500	39000	16.5	12.7	1385	1205
	EN(A,D,W)4X48*21**	OLV112A16A	46000	38500	16	12	1449	1169
	EN(A,D,W)4X48*21**		46000	38000	15	12	1400	1120
	EN(A,D,W)4X60*24**	*8MV*1102120**	47500	38500	17.2	13.2	1300	1040
	EN(A,D,W)4X60*24**	*8MV*1352422**	47500	38500	17.5	13.2	1300	1040
	EN(A,D,W)4X60*24**	*8MX*0902116**	47500	39000	17.2	13	1430	1115
	EN(A,D,W)4X60*24**	*8MX*1102120**	47500	39500	17.2	13.2	1395	1145
	EN(A,D,W)4X60*24**	*8MX*1352420**	47500	40000	17	13	1420	1255
	EN(A,D,W)4X60*24**	*9MA*0602120A**	46500	38500	16.5	12.5	1300	1040
	EN(A,D,W)4X60*24**	*9MA*0802120A**	47000	38500	17	13	1300	1040
	EN(A,D,W)4X60*24**	*9MA*1002122A**	47000	38500	17.2	13	1300	1040
	EN(A,D,W)4X60*24**	*9MA*1202422A**	47000	38500	17	13	1300	1040
	EN(A,D,W)4X60*24**	*9MV*0802120A**	46500	39000	17	13	1265	1125
	EN(A,D,W)4X60*24**	*9MV*1002120A**	46500	39000	17	13	1245	1110
	EN(A,D,W)4X60*24**	*9MV*1202422A**	47000	39000	17	13	1285	1130
	EN(A,D,W)4X60*24**	*9MX*0802120A**	47500	39500	16.7	13	1420	1270
	EN(A,D,W)4X60*24**	*9MX*1002120A**	47500	39500	17	13	1400	1215
	EN(A,D,W)4X60*24**	*9MX*1202422A**	47500	40000	16.7	13	1425	1305
	EN(A,D,W)4X60*24**	MV16J22**B*	47500	39500	17.7	13.5	1400	1120
	EN(A,D,W)4X60*24**	MV20L24**B*	47500	39500	17.7	13.5	1400	1120
	EN(A,D,W)4X60*24**	OLV112A16A	47000	39000	16.2	12.2	1449	1169
	EN(A,D,W)4X60*24**	OLV154F20A	47500	39500	17.2	13	1447	1171
	EN(A,D,W)4X60*24**		47000	38500	15.2	12.2	1400	1120
	ENH4X48*21**	*8MV*0901716**	46500	38000	17	13	1300	1040
	ENH4X48*21**	*8MV*1102120**	46500	38000	17	13	1300	1040
	ENH4X48*21**	*8MV*1352422**	46500	38500	17.2	13	1300	1040

COOLING PERFORMANCE								
For complete ratings information, use the AHRI website directory search: www.AHRIdirectory.org .								
New ratings may be listed online before Specification Sheets are updated.								
Unit Size	Indoor Model	Furnace Model	AHRI STANDARD RATINGS					
			COOLING 95° F (35° C)					
			Capacity		SEER	EER	ID CFM	
			High	Low			High	Low
CCA948GKA	ENH4X48*21**	*8MX*0701716**	46000	38500	16	11.7	1455	1095
	ENH4X48*21**	*8MX*0902116**	46500	38500	17	12.7	1420	1105
	ENH4X48*21**	*8MX*1102120**	46500	39000	17	13	1380	1130
	ENH4X48*21**	*8MX*1352420**	46500	39000	16.7	12.7	1400	1235
	ENH4X48*21**	*9MA*0602120A**	45500	38000	16.2	12.5	1300	1040
	ENH4X48*21**	*9MA*0802120A**	46000	38000	16.7	12.7	1300	1040
	ENH4X48*21**	*9MA*1002122A**	46000	38000	17	13	1300	1040
	ENH4X48*21**	*9MA*1202422A**	46500	38000	16.7	12.7	1300	1040
	ENH4X48*21**	*9MV*0801716A**	45500	38500	16.2	12.5	1280	1105
	ENH4X48*21**	*9MV*0802120A**	46000	38500	16.7	13	1250	1110
	ENH4X48*21**	*9MV*1002120A**	45500	38500	16.7	13	1235	1095
	ENH4X48*21**	*9MV*1202422A**	46000	38500	16.7	13	1270	1120
	ENH4X48*21**	*9MX*0801716A**	46500	38000	16.2	12	1380	1065
	ENH4X48*21**	*9MX*0802120A**	46500	39000	16.5	12.5	1410	1260
	ENH4X48*21**	*9MX*1002120A**	46500	39000	16.5	12.7	1385	1205
	ENH4X48*21**	*9MX*1202422A**	46500	39500	16.5	12.5	1415	1290
	ENH4X48*21**	OLV112A16A	46000	38500	16	12	1449	1169
	ENH4X48*21**	OLV154F20A	46500	39000	17	12.7	1447	1171
	ENH4X48*21**		46000	38000	15	12	1400	1120
	ENH4X60*24**	*8MV*0901716**	47000	38500	17.2	13	1300	1040
	ENH4X60*24**	*8MV*1102120**	47500	38500	17.2	13.2	1300	1040
	ENH4X60*24**	*8MV*1352422**	47500	38500	17.5	13.2	1300	1040
	ENH4X60*24**	*8MX*0701716**	47000	38500	16.2	12	1465	1100
	ENH4X60*24**	*8MX*0902116**	47500	39000	17.2	13	1430	1115
	ENH4X60*24**	*8MX*1102120**	47500	39500	17.2	13.2	1395	1145
	ENH4X60*24**	*8MX*1352420**	47500	40000	17	13	1420	1255
	ENH4X60*24**	*9MA*0602120A**	46500	38500	16.5	12.5	1300	1040
	ENH4X60*24**	*9MA*0802120A**	47000	38500	17	13	1300	1040
	ENH4X60*24**	*9MA*1002122A**	47000	38500	17.2	13	1300	1040
	ENH4X60*24**	*9MA*1202422A**	47000	38500	17	13	1300	1040
	ENH4X60*24**	*9MV*0801716A**	46500	39000	16.2	12.5	1290	1115
	ENH4X60*24**	*9MV*0802120A**	46500	39000	17	13	1265	1125
	ENH4X60*24**	*9MV*1002120A**	46500	39000	17	13	1245	1110
	ENH4X60*24**	*9MV*1202422A**	47000	39000	17	13	1285	1130
	ENH4X60*24**	*9MX*0801716A**	47500	38500	16.5	12.5	1390	1075
	ENH4X60*24**	*9MX*0802120A**	47500	39500	16.7	13	1420	1270
	ENH4X60*24**	*9MX*1002120A**	47500	39500	17	13	1400	1215
	ENH4X60*24**	*9MX*1202422A**	47500	40000	16.7	13	1425	1305
	ENH4X60*24**	MV16J22**B*	47500	39500	17.7	13.5	1400	1120
	ENH4X60*24**	MV20L24**B*	47500	39500	17.7	13.5	1400	1120
ENH4X60*24**	OLV112A16A	47000	39000	16.2	12.2	1449	1169	
ENH4X60*24**	OLV154F20A	47500	39500	17.2	13	1447	1171	
ENH4X60*24**		47000	38500	15.2	12.2	1400	1120	
ENH4X61*24**	*8MV*0901716**	47500	39000	17.2	13	1300	1040	
ENH4X61*24**	*8MV*1102120**	47500	39000	17.2	13.2	1300	1040	
ENH4X61*24**	*8MV*1352422**	48000	39000	17.5	13.2	1300	1040	
ENH4X61*24**	*8MX*0701716**	47000	39000	16.2	12	1445	1085	
ENH4X61*24**	*8MX*0902116**	47500	39000	17	13	1410	1095	
ENH4X61*24**	*8MX*1102120**	47500	39500	17.2	13.2	1370	1120	

COOLING PERFORMANCE								
For complete ratings information, use the AHRI website directory search: www.AHRIdirectory.org .								
New ratings may be listed online before Specification Sheets are updated.								
Unit Size	Indoor Model	Furnace Model	AHRI STANDARD RATINGS					
			COOLING 95° F (35° C)					
			Capacity		SEER	EER	ID CFM	
			High	Low			High	Low
CCA948GKA	ENH4X61*24**	*8MX*1352420**	47500	40000	17	13	1390	1220
	ENH4X61*24**	*9MA*0602120A**	47000	38500	16.5	12.5	1300	1040
	ENH4X61*24**	*9MA*0802120A**	47000	38500	17	13	1300	1040
	ENH4X61*24**	*9MA*1002122A**	47000	38500	17	13	1300	1040
	ENH4X61*24**	*9MA*1202422A**	47500	38500	17	13	1300	1040
	ENH4X61*24**	*9MV*0801716A**	46500	39000	16.2	12.5	1275	1100
	ENH4X61*24**	*9MV*0802120A**	47000	39000	17	13	1240	1100
	ENH4X61*24**	*9MV*1002120A**	46500	39000	17	13	1225	1080
	ENH4X61*24**	*9MV*1202422A**	47000	39000	17	13	1260	1105
	ENH4X61*24**	*9MX*0801716A**	47500	38500	16.5	12.5	1375	1060
	ENH4X61*24**	*9MX*0802120A**	47500	40000	16.7	13	1400	1250
	ENH4X61*24**	*9MX*1002120A**	47500	39500	17	13	1375	1190
	ENH4X61*24**	*9MX*1202422A**	48000	40000	16.7	13	1400	1275
	ENH4X61*24**	MV16J22**B*	48000	39500	17.7	13.5	1400	1120
	ENH4X61*24**	MV20L24**B*	48000	39500	17.7	13.5	1400	1120
	ENH4X61*24**	OLV112A16A	47500	39500	16.2	12.2	1449	1169
	ENH4X61*24**	OLV154F20A	48000	39500	17.2	13	1447	1171
	ENH4X61*24**		47000	38500	15.2	12.5	1400	1120

ENERGY STAR compliance for combinations with both: SEER 14.50 or higher and EER 12.00 or higher.

† For coils not listed with a matching furnace or blower, coil rating applies with any indoor blower device

COOLING PERFORMANCE								
For complete ratings information, use the AHRI website directory search: www.AHRIdirectory.org .								
New ratings may be listed online before Specification Sheets are updated.								
Unit Size	Indoor Model	Furnace Model	AHRI STANDARD RATINGS					
			COOLING 95° F (35° C)					
			Capacity		SEER	EER	ID CFM	
			High	Low			High	Low
CCA960GKA	*FCM4X60****		59000	48000	16.7	13	1750	1400
	FVM4X60****		59000	48000	16.5	13	1750	1400
	EA*4X60*21A*	*8MV*1102120**	57500	47000	16	12.5	1625	1300
	EA*4X60*21A*	*8MX*1102120**	57500	47500	16	12.5	1670	1400
	EA*4X60*21A*	*9MA*0602120A**	56500	46500	15	11.7	1578	1300
	EA*4X60*21A*	*9MA*0802120A**	57000	47000	15.5	12	1625	1300
	EA*4X60*21A*	*9MA*1002122A**	57500	47000	16	12.5	1625	1300
	EA*4X60*21A*	*9MV*0802120A**	56500	46500	15.5	12.2	1580	1275
	EA*4X60*21A*	*9MV*1002120A**	56500	46500	15.7	12.2	1555	1260
	EA*4X60*21A*	*9MX*0802120A**	57000	47500	15.2	12.2	1625	1420
	EA*4X60*21A*	*9MX*1002120A**	57500	47500	15.5	12	1720	1405
	EA*4X60*21A*		57500	46500	14.5	12	1750	1400
	EA*4X60*24A*	*8MV*1102120**	57500	47000	16	12.5	1625	1300
	EA*4X60*24A*	*8MV*1352422**	57500	47000	16.2	12.5	1625	1300
	EA*4X60*24A*	*8MX*1102120**	58000	47500	16	12.5	1685	1410
	EA*4X60*24A*	*8MX*1352420**	57500	47500	15.5	12.5	1650	1430
	EA*4X60*24A*	*9MA*0602120A**	56500	46500	15	11.7	1625	1300
	EA*4X60*24A*	*9MA*0802120A**	57000	47000	15.5	12.2	1625	1300
	EA*4X60*24A*	*9MA*1002122A**	57500	47000	16	12.5	1625	1300
	EA*4X60*24A*	*9MA*1202422A**	57000	47000	15.7	12.2	1625	1300
	EA*4X60*24A*	*9MV*0802120A**	56500	46500	15.5	12.2	1590	1280
	EA*4X60*24A*	*9MV*1002120A**	56500	46500	15.7	12.2	1565	1265
	EA*4X60*24A*	*9MV*1202422A**	57500	47000	15.7	12.2	1610	1305
	EA*4X60*24A*	*9MX*0802120A**	57500	47500	15.5	12.2	1635	1425
	EA*4X60*24A*	*9MX*1002120A**	57500	47500	15.5	12	1735	1415
	EA*4X60*24A*	*9MX*1202422A**	57500	47000	15.7	12.2	1640	1310
	EA*4X60*24A*	MV16J22**B*	58500	47500	16.2	12.7	1750	1400
	EA*4X60*24A*	MV20L24**B*	58500	47500	16.2	12.7	1750	1400
	EA*4X60*24A*	OLV154F20A	57500	47000	16	12.5	1669	1330
	EA*4X60*24A*		57500	46500	14.5	12	1750	1400
	EHD4X60A**	*8MV*1102120**	57500	47500	16	12.5	1625	1300
	EHD4X60A**	*8MV*1352422**	58000	47500	16.5	12.7	1625	1300
	EHD4X60A**	*8MX*1102120**	58000	48000	16	12.5	1710	1425
EHD4X60A**	*8MX*1352420**	58000	48000	15.7	12.5	1675	1450	
EHD4X60A**	*9MA*0602120A**	57000	47000	15.2	11.7	1625	1300	
EHD4X60A**	*9MA*0802120A**	57500	47000	16	12.2	1625	1300	
EHD4X60A**	*9MA*1002122A**	57500	47000	16	12.5	1625	1300	
EHD4X60A**	*9MA*1202422A**	57500	47000	16	12.5	1625	1300	
EHD4X60A**	*9MV*0802120A**	57000	47000	15.7	12.2	1610	1290	
	* Tested Combo							

COOLING PERFORMANCE								
For complete ratings information, use the AHRI website directory search: www.AHRIdirectory.org .								
New ratings may be listed online before Specification Sheets are updated.								
Unit Size	Indoor Model	Furnace Model	AHRI STANDARD RATINGS					
			COOLING 95° F (35° C)					
			Capacity		SEER	EER	ID CFM	
			High	Low			High	Low
CCA960GKA	EHD4X60A**	*9MV*1002120A**	57000	47000	16	12.5	1580	1275
	EHD4X60A**	*9MV*1202422A**	57000	47000	16	12.2	1635	1315
	EHD4X60A**	*9MX*0802120A**	57500	47500	15.5	12.2	1650	1440
	EHD4X60A**	*9MX*1002120A**	58000	48000	15.5	12.2	1755	1430
	EHD4X60A**	*9MX*1202422A**	58000	47500	16	12.5	1665	1325
	EHD4X60A**	MV16J22**B*	58500	48000	16.5	12.7	1750	1400
	EHD4X60A**	MV20L24**B*	58500	48000	16.5	12.7	1750	1400
	EHD4X60A**	OLV154F20A	58000	47500	16	12.5	1669	1330
	EHD4X60A**		58000	47000	14.7	12	1750	1400
	EN(A,D)4X61*24**	*8MV*1102120**	58000	47500	16.2	12.5	1625	1300
	EN(A,D)4X61*24**	*8MV*1352422**	58500	47500	16.5	13	1625	1300
	EN(A,D)4X61*24**	*8MX*1102120**	58500	48500	16.2	12.5	1710	1435
	EN(A,D)4X61*24**	*8MX*1352420**	58500	48500	16	12.5	1675	1455
	EN(A,D)4X61*24**	*9MA*0602120A**	57500	47000	15.5	11.7	1625	1300
	EN(A,D)4X61*24**	*9MA*0802120A**	58000	47500	16	12.5	1625	1300
	EN(A,D)4X61*24**	*9MA*1002122A**	58000	47500	16.2	12.5	1625	1300
	EN(A,D)4X61*24**	*9MA*1202422A**	58000	47500	16	12.5	1625	1300
	EN(A,D)4X61*24**	*9MV*0802120A**	57500	47000	16	12.5	1610	1300
	EN(A,D)4X61*24**	*9MV*1002120A**	57500	47000	16	12.5	1585	1285
	EN(A,D)4X61*24**	*9MV*1202422A**	58000	47500	16	12.5	1630	1325
	EN(A,D)4X61*24**	*9MX*0802120A**	58000	48000	15.5	12.5	1650	1445
	EN(A,D)4X61*24**	*9MX*1002120A**	58500	48000	15.7	12.2	1755	1435
	EN(A,D)4X61*24**	*9MX*1202422A**	58500	47500	16	12.5	1660	1335
	EN(A,D)4X61*24**	MV16J22**B*	59000	48500	16.7	12.7	1750	1400
	EN(A,D)4X61*24**	MV20L24**B*	59000	48500	16.7	12.7	1750	1400
	EN(A,D)4X61*24**	OLV154F20A	58500	47500	16.2	12.5	1669	1330
	EN(A,D)4X61*24**		58500	47500	15	12.2	1750	1400
	EN(A,D,W)4X60*24**	*8MV*1102120**	57500	47000	16	12.5	1625	1300
	EN(A,D,W)4X60*24**	*8MV*1352422**	57500	47000	16.2	12.5	1625	1300
	EN(A,D,W)4X60*24**	*8MX*1102120**	57500	47500	16	12.5	1700	1425
	EN(A,D,W)4X60*24**	*8MX*1352420**	57500	47500	15.7	12.5	1670	1450
	EN(A,D,W)4X60*24**	*9MA*0602120A**	56500	46500	15	11.7	1625	1300
	EN(A,D,W)4X60*24**	*9MA*0802120A**	57000	47000	15.7	12.2	1625	1300
	EN(A,D,W)4X60*24**	*9MA*1002122A**	57000	47000	16	12.5	1625	1300
	EN(A,D,W)4X60*24**	*9MA*1202422A**	57000	47000	16	12.2	1625	1300
	EN(A,D,W)4X60*24**	*9MV*0802120A**	56500	46500	15.7	12.2	1605	1290
	EN(A,D,W)4X60*24**	*9MV*1002120A**	56500	46500	15.7	12.2	1575	1280
	EN(A,D,W)4X60*24**	*9MV*1202422A**	57000	47000	16	12.5	1625	1320
	EN(A,D,W)4X60*24**	*9MX*0802120A**	57000	47500	15.5	12.2	1645	1440
	EN(A,D,W)4X60*24**	*9MX*1002120A**	57500	47500	15.5	12	1750	1430
EN(A,D,W)4X60*24**	*9MX*1202422A**	57500	47000	16	12.2	1655	1325	
EN(A,D,W)4X60*24**	MV16J22**B*	58000	47500	16.2	12.7	1750	1400	
EN(A,D,W)4X60*24**	MV20L24**B*	58000	47500	16.5	12.7	1750	1400	
EN(A,D,W)4X60*24**	OLV154F20A	57500	47000	16	12.5	1669	1330	
EN(A,D,W)4X60*24**		57500	47000	14.5	12	1750	1400	
ENH4X60*24**	*8MV*1102120**	57500	47000	16	12.5	1625	1300	
ENH4X60*24**	*8MV*1352422**	57500	47000	16.2	12.5	1625	1300	
ENH4X60*24**	*8MX*1102120**	57500	47500	16	12.5	1700	1425	
ENH4X60*24**	*8MX*1352420**	57500	47500	15.7	12.5	1670	1450	
ENH4X60*24**	*9MA*0602120A**	56500	46500	15	11.7	1625	1300	
ENH4X60*24**	*9MA*0802120A**	57000	47000	15.7	12.2	1625	1300	
ENH4X60*24**	*9MA*1002122A**	57000	47000	16	12.5	1625	1300	
ENH4X60*24**	*9MA*1202422A**	57000	47000	16	12.2	1625	1300	

COOLING PERFORMANCE								
For complete ratings information, use the AHRI website directory search: www.AHRI.org .								
New ratings may be listed online before Specification Sheets are updated.								
Unit Size	Indoor Model	Furnace Model	AHRI STANDARD RATINGS					
			COOLING 95° F (35° C)					
			Capacity		SEER	EER	ID CFM	
			High	Low			High	Low
CCA960GKA	ENH4X60*24**	*9MV*0802120A**	56500	46500	15.7	12.2	1605	1290
	ENH4X60*24**	*9MV*1002120A**	56500	46500	15.7	12.2	1575	1280
	ENH4X60*24**	*9MV*1202422A**	57000	47000	16	12.5	1625	1320
	ENH4X60*24**	*9MX*0802120A**	57000	47500	15.5	12.2	1645	1440
	ENH4X60*24**	*9MX*1002120A**	57500	47500	15.5	12	1750	1430
	ENH4X60*24**	*9MX*1202422A**	57500	47000	15.7	12.2	1655	1325
	ENH4X60*24**	MV16J22**B*	58000	47500	16.2	12.7	1750	1400
	ENH4X60*24**	MV20L24**B*	58000	47500	16.5	12.7	1750	1400
	ENH4X60*24**	OLV154F20A	57500	47000	16	12.5	1669	1330
	ENH4X60*24**		57500	47000	14.5	12	1750	1400
	ENH4X61*24**	*8MV*1102120**	57500	47000	16	12.5	1625	1300
	ENH4X61*24**	*8MV*1352422**	58000	47000	16.2	12.5	1625	1300
	ENH4X61*24**	*8MX*1102120**	58000	47500	16	12.5	1675	1400
	ENH4X61*24**	*8MX*1352420**	58500	48000	15.5	11.7	1965	1445
	ENH4X61*24**	*9MA*0602120A**	57000	46500	15	11.7	1625	1300
	ENH4X61*24**	*9MA*0802120A**	57500	47000	15.7	12.2	1625	1300
	ENH4X61*24**	*9MA*1002122A**	57500	47000	16	12.5	1625	1300
	ENH4X61*24**	*9MA*1202422A**	57500	47000	15.7	12.2	1625	1300
	ENH4X61*24**	*9MV*0802120A**	57000	46500	15.7	12.2	1585	1270
	ENH4X61*24**	*9MV*1002120A**	57000	46500	15.7	12.5	1555	1255
	ENH4X61*24**	*9MV*1202422A**	57000	47000	15.7	12.2	1605	1295
	ENH4X61*24**	*9MX*0802120A**	57500	47500	15.5	12.2	1625	1420
	ENH4X61*24**	*9MX*1002120A**	58000	47500	15.5	12.2	1725	1405
	ENH4X61*24**	*9MX*1202422A**	58000	47000	15.7	12.2	1630	1300
	ENH4X61*24**	MV16J22**B*	58500	48000	16.2	12.7	1750	1400
	ENH4X61*24**	MV20L24**B*	58500	48000	16.2	12.7	1750	1400
	ENH4X61*24**	OLV154F20A	58000	47500	16	12.5	1669	1330
	ENH4X61*24**		58000	47000	14.7	12	1750	1400

ENERGY STAR compliance for combinations with both: SEER 14.50 or higher and EER 12.00 or higher.

† For coils not listed with a matching furnace or blower, coil rating applies with any indoor blower device

ACCESSORY USAGE GUIDELINES

Accessory	REQUIRED FOR LONG LINE APPLICATIONS* (Over 80 ft. / 24.38 m)	Required for Sea Coast Application (within 2 miles/3.22 km)
Crankcase Heater	Yes, standard	No
Compressor Start Assist Capacitor and Relay	Yes	No
Liquid Line Solenoid Valve	See Long Line Applications Guide-line	No
Support Feet	No	Recommended

* For Line Set lengths between 80 and 200 ft (24.4 and 61m) horizontal, or more than 20 ft (6.1m) indoor-outdoor vertical separation, refer to the Long Line Application Guideline document.

ACCESSORIES

Part Number	Description	Used On Model Size
NASA401LS	Liquid Line Solenoid Valve, R-410A	ALL
NASA001TD	Time Delay Relay, Indoor Blower	ALL
NASA001SF	Support Feet, 4" (102mm) tall	ALL
NASA010SC	Hard Start Kit (Capacitor & Relay)	24
NASA011SC	Hard Start Kit (Capacitor & Relay)	36
NASA012SC	Hard Start Kit (Capacitor & Relay)	48
NASA013SC	Hard Start Kit (Capacitor & Relay)	60
WALL CONTROL		
TSTAT0101SC	Observer™ Self Configuring Communicating Wall Control	ALL