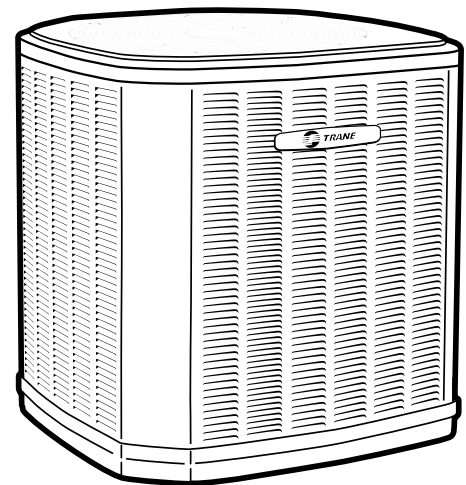




Product Data

Split System Cooling

- 4TTR4018L1000A
- 4TTR4024L1000A
- 4TTR4025L1000A
- 4TTR4030L1000A
- 4TTR4031L1000A
- 4TTR4036L1000A
- 4TTR4037L1000A
- 4TTR4042L1000A
- 4TTR4043L1000A
- 4TTR4048L1000A
- 4TTR4060L1000A



Note: "Graphics in this document are for representation only. Actual model may differ in appearance."



Product Specifications

| Model No. ^(a) | 4TTR4018L1000A | 4TTR4024L1000A 4TTR4025L1000A | 4TTR4030L1000A 4TTR4031L1000A | 4TTR4036L1000A 4TTR4037L1000A |
|--|-------------------|----------------------------------|----------------------------------|----------------------------------|
| POWER CONNS. — V/PH/HZ ^(b) | 208/230/1/60 | 208/230/1/60 | 208/230/1/60 | 208/230/1/60 |
| MIN. BRCH. CIR. AMPACITY | 12 | 14 | 17 | 18 |
| BR. CIR. PROT. RTG. — MAX. (AMPS) | 20 | 25 | 25 | 30 |
| COMPRESSOR | CLIMATUFF®-SCROLL | CLIMATUFF®-SCROLL | CLIMATUFF®-SCROLL | CLIMATAUFF®-SCROLL |
| RL AMPS — LR AMPS | 9 — 63 | 10.9 — 63 | 12.8 — 68 | 14.1 — 72 |
| Outdoor Fan FL AMPS | 0.60 | 0.60 | 0.77 | 0.77 |
| Fan HP | 1/15 | 1/15 | 1/8 | 1/8 |
| Fan Dia (inches) | 18.2 | 18.2 | 23.0 | 23.0 |
| Coil | SPINE FIN™ | SPINE FIN™ | SPINE FIN™ | SPINE FIN™ |
| Refrigerant R-410A | 4 LBS., 8 OZ | 4 LBS., 11 OZ | 5 LBS., 4 OZ | 6 LBS., 1 OZ |
| LINE SIZE — IN. O.D. GAS ^(c) | 3/4 | 3/4 | 3/4 | 3/4 |
| LINE SIZE — IN. O.D. LIQ. ^(c) | 3/8 | 3/8 | 3/8 | 3/8 |
| Charge Spec. Subcooling | 10°F | 10°F | 10°F | 10°F / (8°F on 037) |
| Dimensions H x W X D Crated (IN.) | 30.1 x 26.7 x 30 | 30.1 x 26.7 x 30 | 34 x 30.1 x 33 | 38 x 30.1 x 33 |
| Weight — Shipping (lbs.) | 153 | 153 | 183 | 183 |
| Weight — Net (lbs.) | 133 | 133 | 156 | 156 |
| Optional Accessories: | | | | |
| Anti-short Cycle Timer | TAYASCT501A | TAYASCT501A | TAYASCT501A | TAYASCT501A |
| Evaporator Defrost Control | AY28X079 | AY28X079 | AY28X079 | AY28X079 |
| Rubber Isolator Kit | BAYISLT101 | BAYISLT101 | BAYISLT101 | BAYISLT101 |
| Extreme Condition Mount Kit | BAYECMT023 | BAYECMT023 | BAYECMT023 | BAYECMT023 |
| Start Kit | BAYKSKT263 | BAYKSKT263 | BAYKSKT263 | BAYKSKT263 |
| Crankcase Heater Kit | BAYCCHT302 | BAYCCHT302 | BAYCCHT302 | BAYCCHT302 |
| Seacoast Kit | BAYSEAC001 | BAYSEAC001 | BAYSEAC001 | BAYSEAC001 |
| Low Ambient Kit | BAYLOAM103 | BAYLOAM103 | BAYLOAM103 | BAYLOAM103 |
| Refrigerant Lineset ^(d) | TAYREFLN950 | TAYREFLN950 | TAYREFLN7* | TAYREFLN7* |
| Service Valve Panel Cover | AAYSVPANL0022AA | AAYSVPANL0022AA | AAYSVPANL0032AA | AAYSVPANL3343AA |

^(a) Certified in accordance with the Unitary Air-conditioner equipment certification program which is based on AHRI standard 210/240.

^(b) Calculated in accordance with N.E.C. Only use HACR circuit breakers or fuses.

^(c) Standard line lengths — 60', Standard lift — 60' Suction and Liquid line. For Greater lengths and lifts refer to refrigerant piping software Pub#32-3312-0* (* denotes latest revision)..

^(d) * = 15, 20, 25, 30, 40 and 50 foot lineset available.



Product Specifications

| Model No. ^(a) | 4TTR4042L1000A 4TTR4043L1000A | 4TTR4048L1000A | 4TTR4060L1000A |
|--|----------------------------------|--------------------|--------------------|
| POWER CONNS. — V/PH/HZ ^(b) | 280/230/1/60 | 280/230/1/60 | 280/230/1/60 |
| MIN. BRCH. CIR. AMPACITY | 22 | 24 | 31 |
| BR. CIR. PROT. RTG. — MAX. (AMPS) | 35 | 40 | 50 |
| COMPRESSOR | CLIMATUFF®- SCROLL | CLIMATUFF®- SCROLL | CLIMATUFF®- SCROLL |
| RL AMPS — LR AMPS | 16.7 — 109 | 18.5 — 124 | 23.7 — 152.5 |
| Outdoor Fan FL AMPS | 0.93 | 0.95 | 0.95 |
| Fan HP | 1/5 | 1/5 | 1/5 |
| Fan Dia (inches) | 27.5 | 27.5 | 27.5 |
| Coil | SPINE FIN™ | SPINE FIN™ | SPINE FIN™ |
| Refrigerant R-410A | 6 LBS., 7 OZ | 6 LBS., 9 OZ | 7 LBS., 10 OZ |
| LINE SIZE — IN. O.D. GAS ^(c) | 7/8 | 7/8 | 7/8 |
| LINE SIZE — IN. O.D. LIQ. ^(c) | 3/8 | 3/8 | 3/8 |
| Charge Spec. Subcooling | 12°F | 10°F | 10°F |
| Dimensions H x W X D Crated (IN.) | 34.4 x 35.1 x 38.7 | 34.4 x 35.1 x 38.7 | 42.4 x 35.1 x 38.7 |
| Weight — Shipping (lbs.) | 216 | 212 | 246 |
| Weight — Net (lbs.) | 184 | 189 | 211 |
| Optional Accessories: | | | |
| Anti-short Cycle Timer | TAYASCT501A | TAYASCT501A | TAYASCT501A |
| Evaporator Defrost Control | AY28X079 | AY28X079 | AY28X079 |
| Rubber Isolator Kit | BAYISLT101 | BAYISLT101 | BAYISLT101 |
| Extreme Condition Mount Kit | BAYECMT004 | BAYECMT004 | BAYECMT004 |
| Start Kit | BAYKSKT263 | BAYKSKT263 | BAYKSKT263 |
| Crankcase Heater Kit | BAYCCHT301 | BAYCCHT301 | BAYCCHT301 |
| Seacoast Kit | BAYSEAC001 | BAYSEAC001 | BAYSEAC001 |
| Low Ambient Kit | BAYLOAM103 | BAYLOAM103 | BAYLOAM103 |
| Refrigerant Lineset ^(d) | TAYREFLN7* | TAYREFLN3* | TAYREFLN3* |
| Service Valve Panel Cover | | | AAYSVPANL0044AA |

- (a) Certified in accordance with the Unitary Air-conditioner equipment certification program which is based on AHRI standard 210/240.
- (b) Calculated in accordance with N.E.C. Only use HACR circuit breakers or fuses.
- (c) Standard line lengths — 60', Standard lift — 60' Suction and Liquid line. For Greater lengths and lifts refer to refrigerant piping software Pub#32-3312-0* (* denotes latest revision)..
- (d) * = 15, 20, 25, 30, 40 and 50 foot lineset available.

| MODEL | SOUND POWER LEVEL [dB(A)] | A-WEIGHTED FULL OCTAVE SOUND POWER LEVEL dB [dB(A)] | | | | | | | |
|--------------------------|---------------------------------|---|-----------|-----------|-----------|------------|------------|------------|------------|
| | | 63 Hz | 125 Hz | 250 Hz | 500 Hz | 1000 Hz | 2000 Hz | 4000 Hz | 8000 Hz |
| 4TTR4018L1 | 71 | 74 | 71 | 65 | 68 | 67 | 63 | 56 | 50 |
| 4TTR4024L1 4TTR4025L1 | 71 | 74 | 71 | 65 | 68 | 67 | 63 | 56 | 50 |
| 4TTR4030L1 4TTR4031L1 | 71 | 73 | 73 | 72 | 69 | 68 | 60 | 52 | 45 |
| 4TTR4036L1 4TTR4037L1 | 71 | 73 | 73 | 72 | 69 | 68 | 60 | 52 | 45 |
| 4TTR4042L1 4TTR4043L1 | 71 | 81 | 72 | 69 | 69 | 66 | 60 | 57 | 54 |
| 4TTR4048L1 | 71 | 81 | 72 | 69 | 69 | 66 | 60 | 57 | 54 |
| 4TTR4060L1 | 71 | 81 | 72 | 69 | 69 | 66 | 60 | 57 | 54 |



Accessory Description and Usage

Anti-Short Cycle Timer — Solid state timing device that prevents compressor recycling until five (5) minutes have elapsed after satisfying call or power interruptions. Use in area with questionable power delivery, commercial applications, long lineset, etc.

Evaporation Defrost Control — SPST Temperature actuated switch that cycles the condenser off as indoor coil reaches freeze-up conditions. Used for low ambient cooling to 30°F with TXV.

Rubber Isolators — Five (5) large rubber donuts to isolate condensing unit from transmitting energy into mounting frame or pad. Use on any application where sound transmission needs to be minimized.

Hard Start Kit — Start capacitor and relay to assist compressor motor startup. Use in areas with marginal power supply, on long linesets, low ambient conditions, etc.

Extreme Condition Mount Kit — Bracket kits to securely mount condensing unit to a frame or pad without removing any panels. Use in areas with high winds, or on commercial roof tops, etc.

AHRI Standard Capacity Rating Conditions

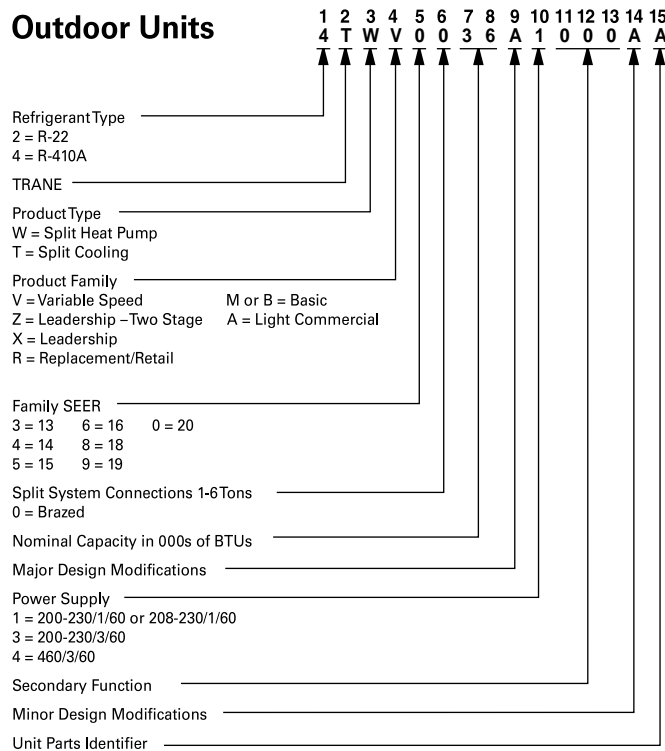
AHRI Standard 210/240 Rating Conditions

1. Cooling 80°F DB, 67°F WB air entering indoor coil, 95°F DB air entering outdoor coil.
2. High Temperature Heating 47°F DB, 43°F WB air entering outdoor coil, 70°F DB air entering indoor coil.
3. Low Temperature Heating 17°F DB air entering indoor coil.
4. Rated indoor airflow for heating is the same as for cooling.

AHRI Standard 270 Rating Conditions — (Noise rating numbers are determined with the unit in cooling operations.) Standard Noise Rating number is at 95°F outdoor air.

Model Nomenclature

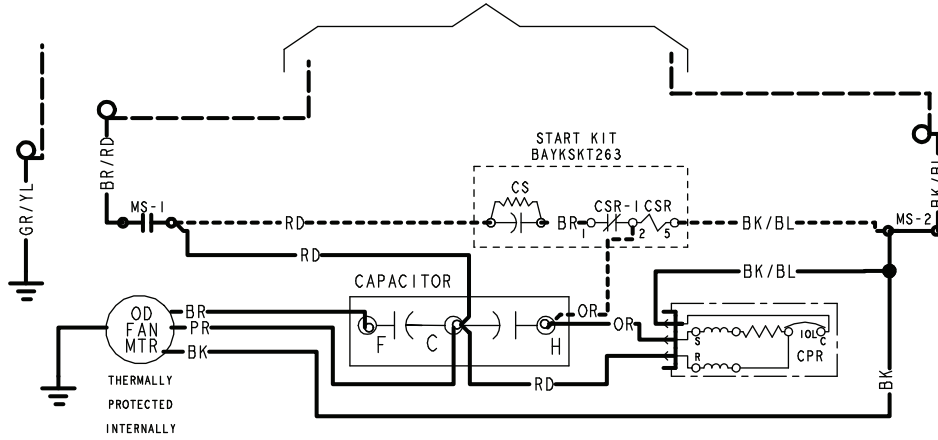
Outdoor Units



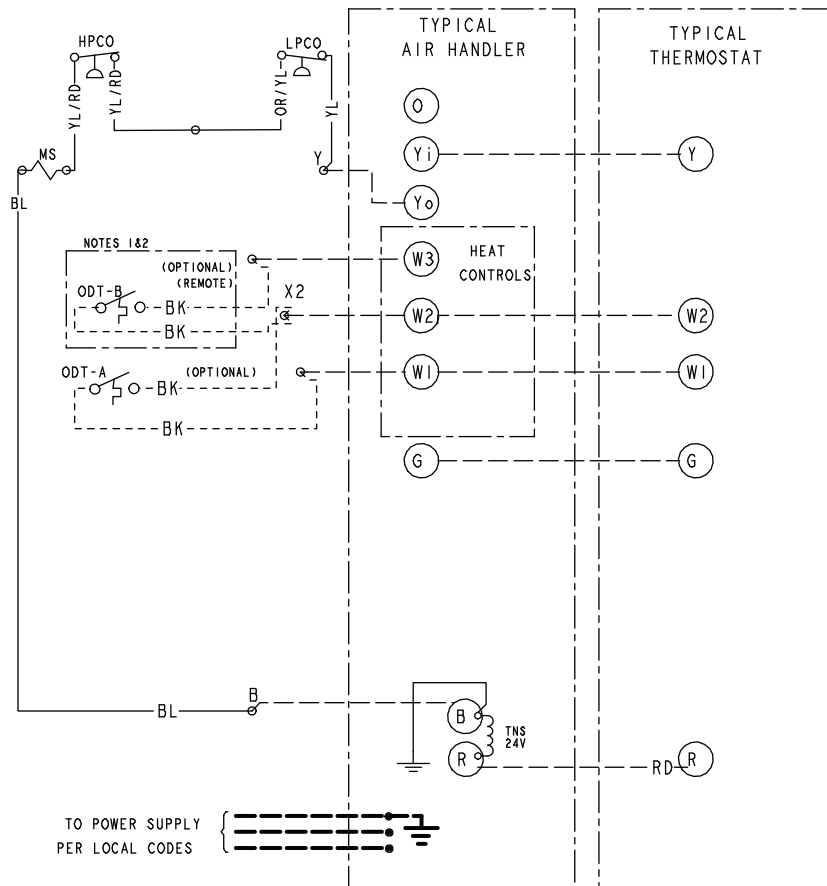
Schematic Diagrams

Figure 1. 1.5 — 4.0 Ton Models

TO POWER SUPPLY PER UNIT NAMEPLATE AND LOCAL CODES



- CF FAN CAPACITOR
- CN WIRECONNECTOR
- CPR COMPRESSOR
- CR RUN CAPACITOR
- CS STARTING CAPACITOR
- CSR CAPACITOR SWITCHING RELAY
- F INDOOR FAN RELAY
- HPCO HIGH PRESSURE CUTOOUT SWITCH
- LPCO LOW PRESSURE CUTOOUT SWITCH
- IOL INTERNAL OVERLOAD PROTECTOR
- SM SYSTEM ON-OFF SWITCH
- MS COMPRESSOR MOTOR CONTACTOR
- ODA OUTDOOR ANTICIPATOR
- OFT OUTDOOR FAN THERMOSTAT
- ODS OUTDOOR TEMPERATURE SENSOR
- ODT OUTDOOR THERMOSTAT
- SC SWITCH OVER VALVE SOLENOID
- TDL DISCHARGE LINE THERMOSTAT
- TNS TRANSFORMER



⚠ WARNING

HAZARDOUS VOLTAGE!
DISCONNECT ALL ELECTRICAL POWER INCLUDING REMOTE DISCONNECTS BEFORE SERVICING.

Failure to disconnect power before servicing can cause severe personal injury or death.

⚠ CAUTION

USE COPPER CONDUCTORS ONLY! UNIT TERMINALS ARE NOT DESIGNED TO ACCEPT OTHER TYPES OF CONDUCTORS. Failure to do so may cause damage to the equipment.

- COLOR OF WIRE
- BK/BL ← COLOR OF MARKER
- | | | |
|----------|-----------------|-----------|
| BK BLACK | RD RED | OR ORANGE |
| BL BLUE | WH WHITE | GR GREEN |
| BR BROWN | YL YELLOW | PR PURPLE |
| PK PINK | LTBL LIGHT BLUE | |

- NOTES:
- IF ODT-B IS NOT USED, ADD JUMPER BETWEEN W2 & W3 AT AIR HANDLER. IF USED, ODT-B MUST BE MOUNTED REMOTE OF CONTROL BOX IN AN APPROVED WEATHER PROOF ENCLOSURE.
 - IF ODT-A IS NOT USED, ADD JUMPER BETWEEN W1 & W2 AT AIR HANDLER.
 - LOW VOLTAGE (24 V) FIELD WIRING MUST BE 18 AWG MIN.

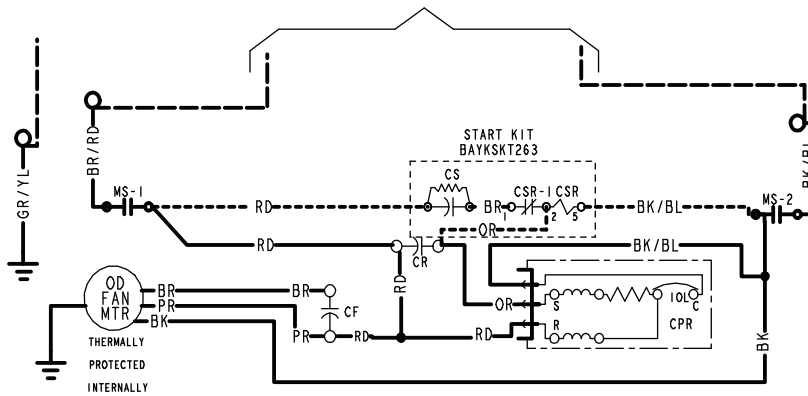
FOR CANADIAN INSTALLATIONS
POUR INSTALLATIONS CANADIENNES

CAUTION: NOT SUITABLE FOR USE ON SYSTEMS EXCEEDING 150V-TO-GROUND
ATTENTION: NE CONVIENT PAS AUX INSTALLATIONS DE PLUS DE 150 V A LA TERRE

PRINTED FROM D157362P03 REV00

Figure 2. 5.0 Ton Models

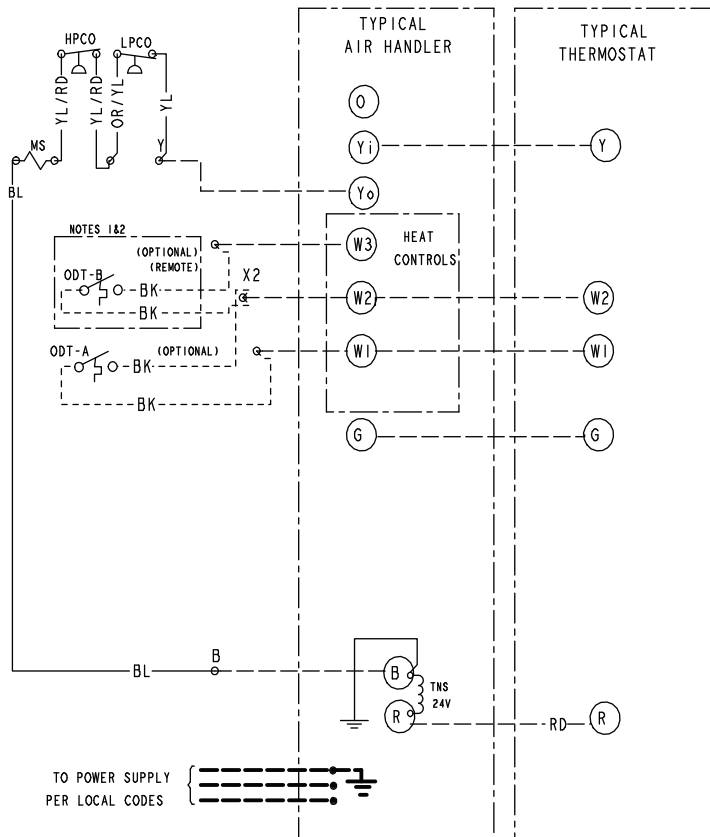
TO POWER SUPPLY PER UNIT NAMEPLATE AND LOCAL CODES



- CF FAN CAPACITOR
- CN WIRECONNECTOR
- CPR COMPRESSOR
- CR RUN CAPACITOR
- CS STARTING CAPACITOR
- CSR CAPACITOR SWITCHING RELAY
- F INDOOR FAN RELAY
- HPCO HIGH PRESSURE CUTOOUT SWITCH
- LPCO LOW PRESSURE CUTOOUT SWITCH
- IOL INTERNAL OVERLOAD PROTECTOR
- SN SYSTEM ON-OFF SWITCH
- MS COMPRESSOR MOTOR CONTACTOR
- ODA OUTDOOR ANTICIPATOR
- OFT OUTDOOR FAN THERMOSTAT
- ODS OUTDOOR TEMPERATURE SENSOR
- ODT OUTDOOR THERMOSTAT
- SC SWITCH OVER VALVE SOLENOID
- TDL DISCHARGE LINE THERMOSTAT
- TNS TRANSFORMER

← COLOR OF WIRE
 BK/BL ← COLOR OF MARKER

- BK BLACK RD RED OR ORANGE
- BL BLUE WH WHITE GR GREEN
- BR BROWN YL YELLOW PR PURPLE
- PK PINK



⚠ WARNING

HAZARDOUS VOLTAGE!
 DISCONNECT ALL ELECTRICAL POWER INCLUDING REMOTE DISCONNECTS BEFORE SERVICING.
 Failure to disconnect power before servicing can cause severe personal injury or death.

⚠ CAUTION

USE COPPER CONDUCTORS ONLY!
 UNIT TERMINALS ARE NOT DESIGNED TO ACCEPT OTHER TYPES OF CONDUCTORS.
 Failure to do so may cause damage to the equipment.

- NOTES:
1. IF ODT-B IS NOT USED, ADD JUMPER BETWEEN W2 & W3 AT AIR HANDLER. IF USED, ODT-B MUST BE MOUNTED REMOTE OF CONTROL BOX IN AN APPROVED WEATHER PROOF ENCLOSURE.
 2. IF ODT-A IS NOT USED, ADD JUMPER BETWEEN W1 & W2 AT AIR HANDLER.
 3. LOW VOLTAGE (24 V) FIELD WIRING MUST BE 18 AWG MIN.

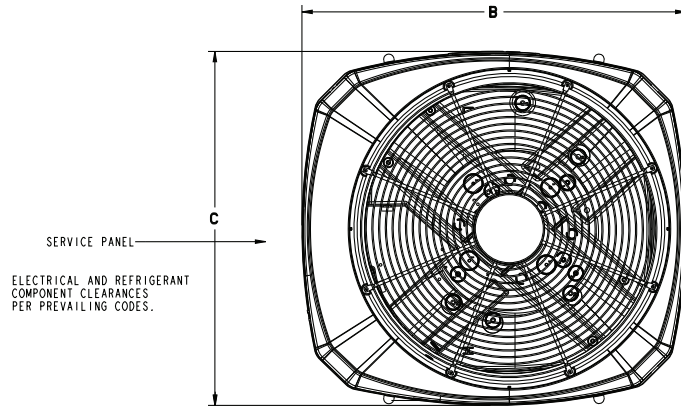
FOR CANADIAN INSTALLATIONS
 POUR INSTALLATIONS CANADIENNES

CAUTION: NOT SUITABLE FOR USE ON SYSTEMS EXCEEDING 150V-TO-GROUND
 ATTENTION: NE CONVIENT PAS AUX INSTALLATIONS DE PLUS DE 150 V A LA TERRE

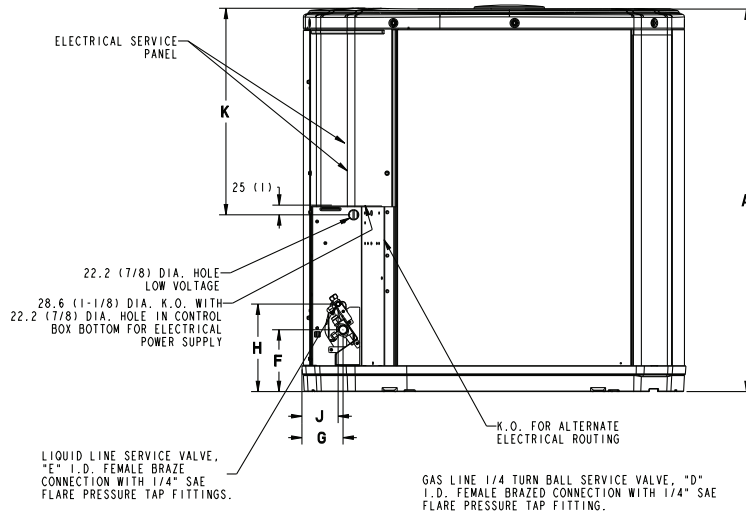
PRINTED FROM D157048P01



Outline Drawing



TOP DISCHARGE AREA SHOULD BE UNRESTRICTED FOR AT LEAST 1524 (5 FEET) ABOVE UNIT. UNIT SHOULD BE PLACED SO ROOF RUN-OFF WATER DOES NOT POUR DIRECTLY ON UNIT, AND SHOULD BE AT LEAST 305 (12") FROM WALL AND ALL SURROUNDING SHRUBBERY ON TWO SIDES. OTHER TWO SIDES UNRESTRICTED.



| Model | Base | A | B | C | D | E | F | G | H | J | K |
|------------------------|------|-----------------|-----------------|-----------------|-----|-----|----------------|---------------|----------------|---------------|-------------|
| 4TTR4018L | 2 | 730 (28-3/4) | 724 (28-1/2) | 651 (25-5/8) | 3/4 | 3/8 | 127 (5) | 57 (2-1/4) | 194 (7-5/8) | 38 (1-1/2) | 457 (18) |
| 4TTR4024L 4TTR4025L | 2 | 730 (28-3/4) | 724 (28-1/2) | 651 (25-5/8) | 3/4 | 3/8 | 127 (5) | 57 (2-1/4) | 194 (7-5/8) | 38 (1-1/2) | 457 (18) |
| 4TTR4030L 4TTR4031L | 3 | 730 (28-3/4) | 829 (32-5/8) | 756 (29-3/4) | 3/4 | 3/8 | 127 (5) | 76 (3) | 197 (7-3/4) | 60 (2-3/8) | 508 (20) |
| 4TTR4036L 4TTR4037L | 3 | 832 (32-3/4) | 829 (32-5/8) | 756 (29-3/4) | 3/4 | 3/8 | 127 (5) | 76 (3) | 197 (7-3/4) | 60 (2-3/8) | 508 (20) |
| 4TTR4042L 4TTR4043L | 4 | 741 (29-1/8) | 946 (37-1/4) | 870 (34-1/4) | 7/8 | 3/8 | 143 (5-5/8) | 83 (3-1-4) | 206 (8-1/8) | 70 (2-3/4) | 508 (20) |
| 4TTR4048L | 4 | 741 (29-1/8) | 946 (37-1/4) | 870 (34-1/4) | 7/8 | 3/8 | 143 (5-5/8) | 83 (3-1-4) | 206 (8-1/8) | 70 (2-3/4) | 508 (20) |
| 4TTR4060L | 4 | 943 (37-1/8) | 946 (37-1/4) | 870 (34-1/4) | 7/8 | 3/8 | 152 (6) | 98 (3-7/8) | 219 (8-5/8) | 86 (3-3/8) | 508 (20) |



Mechanical Specification Options

General

The Outdoor Units are fully charged from the factory for up to 15 feet of piping. This unit is designed to operate at outdoor ambient temperatures as high as 115°F. Cooling capacities are matched with a wide selection of air handlers and furnace coils that are AHRI certified. The unit is certified to UL 1995. Exterior is designed for outdoor application.

Casing

Unit casing is constructed of heavy gauge, G60 galvanized steel and painted with a weather-resistant powder paint on all louvered panels and prepaint on all other panels. Corrosion and weatherproof CMBP-G30 base.

Refrigerant Controls

Refrigeration system controls include condenser fan, compressor contactor and high pressure switch. High and low pressure controls are inherent to the compressor. A factory supplied liquid line drier is standard. Some models may require field installation.

Compressor

The compressor features internal over temperature, pressure protection and total dipped hermetic motor. Other features include: Centrifugal oil pump and low vibration and noise.

Condenser Coil

The outdoor coil provides low airflow resistance and efficient heat transfer. The coil is protected on all four sides by louvered panels.

Low Ambient Cooling

As manufactured, this system has a cooling capacity to 55°F. The addition of an evaporator defrost control permits operation to 40°F. The addition of an evaporator defrost control with TXV permits low ambient cooling to 30°F.

Thermostats—Cooling only and heat/cooling (manual and automatic change over). Sub-base to match thermostat and locking thermostat cover.

Evaporator Defrost Control — See Low Ambient Cooling.



Trane optimizes the performance of homes and buildings around the world. A business of Ingersoll Rand, the leader in creating and sustaining safe, comfortable and energy efficient environments, Trane offers a broad portfolio of advanced controls and HVAC systems, comprehensive building services, and parts. For more information, visit www.Trane.com.

Trane has a policy of continuous product and product data improvements and reserves the right to change design and specifications without notice.

©2014 Trane

22-1904-1C-EN 03 Nov 2014

Supersedes 22-1904-1B-EN (September 2014)

