

Job Name _____
 Purchaser _____
 Submitted to _____
 Unit Designation _____

Location _____
 Engineer _____
 Reference _____ Approval _____ Construction _____
 Schedule # _____

Specifications

Performance	Nominal Capacity	Cooling (Btu/h)	17,700
		Heating (Btu/h)	19,100
	Condensate	Pints/Hour	4.1
Power	Voltage (øV/Hz)		1 / 208-230 / 60
	Nominal Running Current (A)		0.53
Fan	Type		Turbo (1)
	Motor	Type	BLDC (1)
		FLA / Output	0.17A / 24 W
Airflow	CFM	L/M/H	260 / 320 / 380
Refrigerant	Type		R410A
	Control Method		Electronic Expansion Valve (at outdoor unit)
Piping Connections	Liquid (flare)	Inches	1/4
	Suction (flare)	Inches	1/2
	Drain	Inches	OD 1 1/4, ID 1
Unit Dimensions	W X H X D	Inches	22 5/8 X 10 X 22 5/8
	Weight	lbs.	25.79
Fascia Panel	Model Number		PC4SUSMB
	L X W X H	Inches	26 1/2 X 1 3/8 X 26 1/2
	Weight	lbs.	8
Sound Level	L / H	dB	32 / 39
Accessories	External Contact Control		MIM-B14
	Motion Occupancy Sensor		MCR-SMA
	Wireless Remote Controller		MR-EH00U
	Premium Wired Controller W/Scheduling		MWR-WE10
	Standard Wired Controller		MWR-WH02
	Line sets - insulated and flared, interconnect cables included		25' - ILS2507 50' - ILS5007
Safety Certifications		ETL & ETLc	



- Electro-static, washable, pleated filters as standard (included with fascia panel)
- The unit shall ship with a fascia panel (when ordered as a system)
- Built in condensate pump and check valve with maximum 29" lift
- Knock-out for outside air capability (with booster fan connection)
- Fascia panel shall have LED indicator lights, IR receiver, and 4 motorized louvers with independent control.
- High-voltage terminal block temperature sensor to disable unit in the event overheating of power connection.
- The indoor unit shall be powered by the outdoor unit

Construction

Galvanized steel frame with HIPS chassis and fascia panel certified to UL94 V0.

Heat Exchanger

The heat exchanger shall be mechanically bonded fin to copper tube

Indoor Fan

Indoor fan is a single turbo type

Three fan speed settings and auto setting

Controls

Control signal shall be a DDC type signal

Interconnect control wire between outdoor and indoor shall be 16AWG X 2 shielded

Controls shall integrate with a BMS system

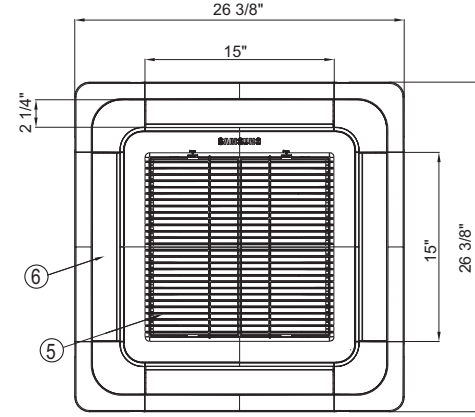
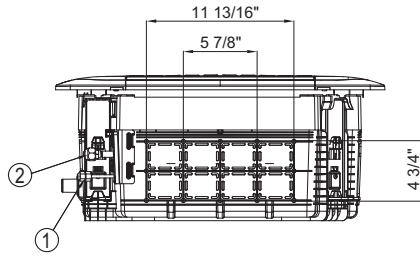
The system shall integrate with the Samsung Controls Solution.

Compatibility

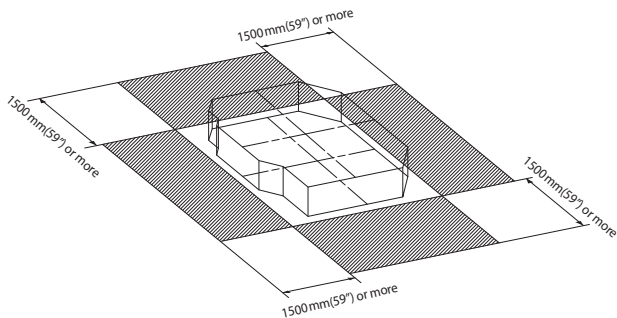
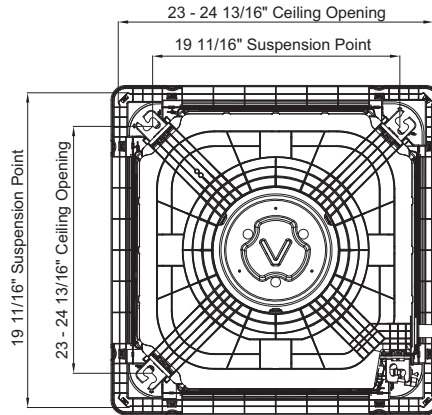
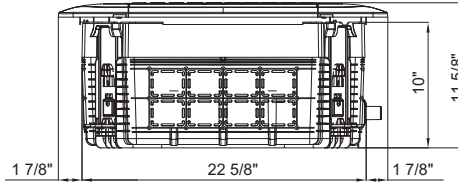
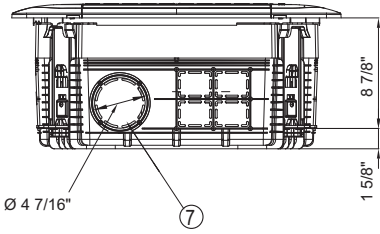
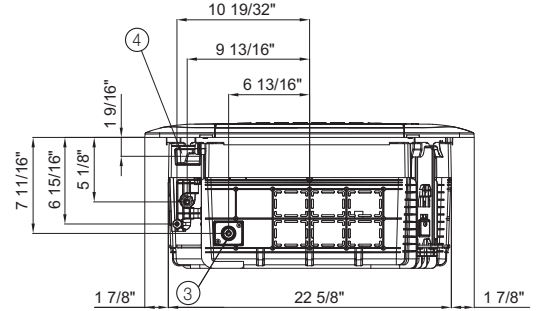
Will only operate with Samsung outdoor unit model numbers: AJ024JCJ3CH/AA, AJ036JCJ5CH/AA.

Nominal cooling capacities are based on: Indoor temperature: 80 °F DB, 67°F WB. Outdoor temperature: 95 °F DB, 75°F WB.
 Nominal heating capacities are based on: Indoor temperature: 70 °F DB, 60°F WB. Outdoor temperature: 47 °F DB, 43°F WB.
 Samsung and Quietside maintains a policy of ongoing development, specifications are subject to change without notice.

Samsung FJM Series, Mini 4-Way Cassette



PC4SUSMEN Panel



Proper clearance must be maintained around unit for proper operation.

No.	Name	Description
①	Liquid Pipe Connection	Ø 1/4" Flare
②	Gas Pipe Connection	Ø 1/2" Flare
③	Drain Pipe Connection	OD 1 1/4", ID 1"
④	Conduit for Power & Communication Wiring	-
⑤	Air Inlet Grille	-
⑥	Air Outlet Louver	-
⑦	Fresh Air Intake	Ø 4 7/16"