

SUBMITTAL DATA SHEET

FULL-CASED MULTI-POSITION ADD-ON COILS FOR USE WITH SPLIT-SYSTEM COOLING & HEAT PUMPS

MODELS: CM

JOB NAME:			LOCATION:	
PURCHASER:			ORDER NO:	
ENGINEER:				
SUBMITTED TO:	FOR:	REF:	APPROVAL:	CONSTRUCTION:
SUBMITTED BY:			DATE:	
UNIT DESIGNATION:			SCHEDULE NO.	MODEL NO.

PRODUCT DATA

Cooling Performance

Total Capacity* _____ MBH

Sensible Capacity* _____ MBH

Temperature of Air Entering
Indoor Coil _____ °F (DB/WB)

Supply Air Blower Performance

Total Supply Air _____ CFM

Total Resistance External To Unit _____ IWG

Blower Speed Tap _____ RPM

Motor Rating _____ HP

Unit Weight

Total Operating Weight _____ LBS
(Including field-installed accessories)

* Shown in Outdoor Unit Technical Guide

CLEARANCES

Front	24"
Rear	0"
Sides	0"

Recommended service clearance.



FIELD INSTALLED ACCESSORIES

- Capacity _____ MBH
- Filter Rack (# _____)
- Interconnecting Lines Length _____ Ft
- Thermal Expansion Valve Kit (# _____)

UV Light Kit _____

MATCHED INDOOR UNIT

Model Number (# _____)

Submittal Part Number (# _____)

MATCHED OUTDOOR UNIT

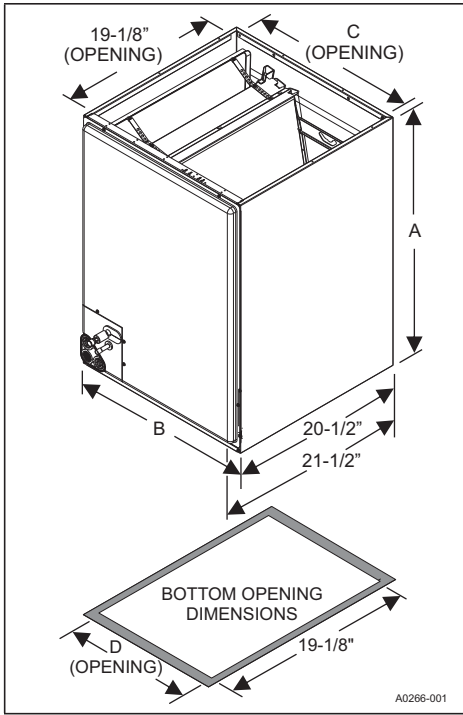
Model Number (# _____)

Submittal Part Number (# _____)

FEATURES

- **Rigid Case Construction** - An interior endoskeleton provides structural support eliminating screw heads protruding from the side of the cabinet that could damage property when being installed.
- **Cabinet** - Constructed of heavy gauge galvanized steel with a primer and finish coat providing a high quality corrosion resistant finish.
- **MaxAlloy™ Coil** - Long life aluminum coils built to deliver lasting performance, efficiency and reliability.
- **Foil faced insulation** - The entire cabinet is insulated with a single piece of cleanable foil faced insulation retained by the endoskeleton. The cabinet design is such that all edges of the insulation are contained.
- **Electronic Expansion Valve (EEV)** - Factory installed on select models and sized to match with specific high-efficiency variable capacity outdoor units.
- **Compact Cabinet** - With the coil and access door removed, the CM coil has a 20.5" casing depth in all models which provide ease of attic access and space constrained applications.
- **Thermoset Drain Pan** - Corrosion and UV resistant with a positive slope for proper drainage. Low water retention design maximizes indoor air quality and consumer comfort.
- **Low Leakage Cabinet Design** - Fully gasketed doors minimizes air leakage to no more than 2% when measured at 1.0" esp. minimizing conditioned air leakage and infiltration.
- **Duct Flange** - Duct flanges are supplied to be field installed when required.
- **Thermostatic Expansion Valves (TXV)** - Select factory installed and field installed models are available utilizing chatleff fittings (no brazing required).

DIMENSIONS - INCHES



CM MULTI-POSITION FULL CASED COILS

Model	Dimensions (inches)				Weight (lbs)		Metering Device	Refrigerant ¹ Connections		
	Tall	Wide	Opening Width		Ship	Operate		Line Size		
	A	B	C	D			Liquid	Vapor		
CM - Indoor Coil Multi-position MaxAlloy™ No Factory Installed Metering Device										
CM18AXA1	19-1/2	14-1/2	13-1/2	13-1/2	40	39	Flex	3/8	3/4	
CM18BXA1	19	17-1/2	16-1/2	16-1/2	42	41	Flex			
CM24AXA1	19-1/2	14-1/2	13-1/2	13-1/2	43	42	Flex			
CM24BXA1	19	17-1/2	16-1/2	16-1/2	44	43	Flex			
CM24CXA1	21	21	20	20	45	44	Flex			
CM30AXA1	25-1/2	14-1/2	13-1/2	13-1/2	49	48	Flex			
CM30BXA1	23	17-1/2	16-1/2	16-1/2	52	51	Flex			
CM30CXA1	23	21	20	20	53	52	Flex			
CM30DXA1	25	24-1/2	23-1/2	23-1/2	54	53	Flex			
CM36AXA1	25-1/2	14-1/2	13-1/2	13-1/2	53	52	Flex			
CM36BXA1	25-5/8	17-1/2	16-1/2	16-1/2	55	54	Flex			
CM36CXA1	25	21	20	20	56	55	Flex			
CM36DXA1	25	24-1/2	23-1/2	23-1/2	63	62	Flex	7/8		
CM42CXA1	27	21	20	20	61	60	Flex			
CM42DXA1	27	24-1/2	23-1/2	23-1/2	64	63	Flex			
CM48CXA1	33	21	20	20	65	64	Flex			
CM48DXA1	32-3/4	24-1/2	23-1/2	23-1/2	67	66	Flex			
CM50CXA1	37-1/4	21	20	20	81	80	Flex			
CM60DXA2	33	21	20	20	75	74	Flex			
CM60DXA2	32-3/4	24-1/2	23-1/2	23-1/2	77	76	Flex			
CM61DXA1	37-1/4	24-1/2	23-1/2	23-1/2	81	80	Flex			
CM64DXA1	32-3/4	24-1/2	23-1/2	23-1/2	83	82	Flex			
CM - Indoor Coil Multi-position MaxAlloy™ Factory Installed TXV Coils										
CM18ABAA1	19-1/2	14-1/2	13-1/2	13-1/2	42	41	FM TXV		3/8	3/4
CM18ABHA1	19-1/2	14-1/2	13-1/2	13-1/2	42	41	FM TXV			
CM24ABAA1	19-1/2	14-1/2	13-1/2	13-1/2	44	43	FM TXV			
CM24BBAA1	19	17-1/2	16-1/2	16-1/2	45	44	FM TXV			
CM24BBHA1	19	17-1/2	16-1/2	16-1/2	45	44	FM TXV			
CM30ABBA1	25-1/2	14-1/2	13-1/2	13-1/2	50	49	FM TXV			
CM30BBAA1	23	17-1/2	16-1/2	16-1/2	52	51	FM TXV			
CM30BBBA1	23	17-1/2	16-1/2	16-1/2	52	51	FM TXV			
CM30BBHA1	23	17-1/2	16-1/2	16-1/2	52	51	FM TXV			
CM36BBAA1	25-5/8	17-1/2	16-1/2	16-1/2	56	55	FM TXV			
CM36BBCA1	25-5/8	17-1/2	16-1/2	16-1/2	56	55	FM TXV			
CM36CBAA1	25	21	20	20	57	56	FM TXV	7/8		
CM42CBAA1	27	21	20	20	62	61	FM TXV			
CM42CBCA1	27	21	20	20	62	61	FM TXV			
CM48CBBA1	33	21	20	20	68	67	FM TXV			
CM48CBCA1	33	21	20	20	68	67	FM TXV			
CM48DBCA1	32-3/4	24-1/2	23-1/2	23-1/2	69	68	FM TXV			
CM60CBDA2	33	21	20	20	78	77	FM TXV			
CM60CBGA2	33	21	20	20	78	77	FM TXV			
CM60DBDA2	32-3/4	24-1/2	23-1/2	23-1/2	80	79	FM TXV			
CM - Indoor Coil Multi-position MaxAlloy™ Factory Installed EEV Coils										
CM25BE1A1	25-5/8	17-1/2	16-1/2	16-1/2	56	55	FM EEV		3/8	3/4
CM37BE2A1	25-5/8	17-1/2	16-1/2	16-1/2	57	56	FM EEV			
CM37CE2A1	25	21	20	20	57	56	FM EEV			
CM38CE2A1	25	21	20	20	57	56	FM EEV			
CM49CE3A1	33	21	20	20	76	75	FM EEV			
CM49DE3A1	32-3/4	24-1/2	23-1/2	23-1/2	78	77	FM EEV	7/8		
CM50CE3A1	37-1/4	21	20	20	81	80	FM EEV			
CM50DE3A1	27-1/4	24-1/2	23-1/2	23-1/2	81	80	FM EEV			
CM61CE4A1	37-1/4	21	20	20	81	80	FM EEV			
CM61DE4A1	37-1/4	24-1/2	23-1/2	23-1/2	81	80	FM EEV			

1. See outdoor unit technical guide for proper line set size.