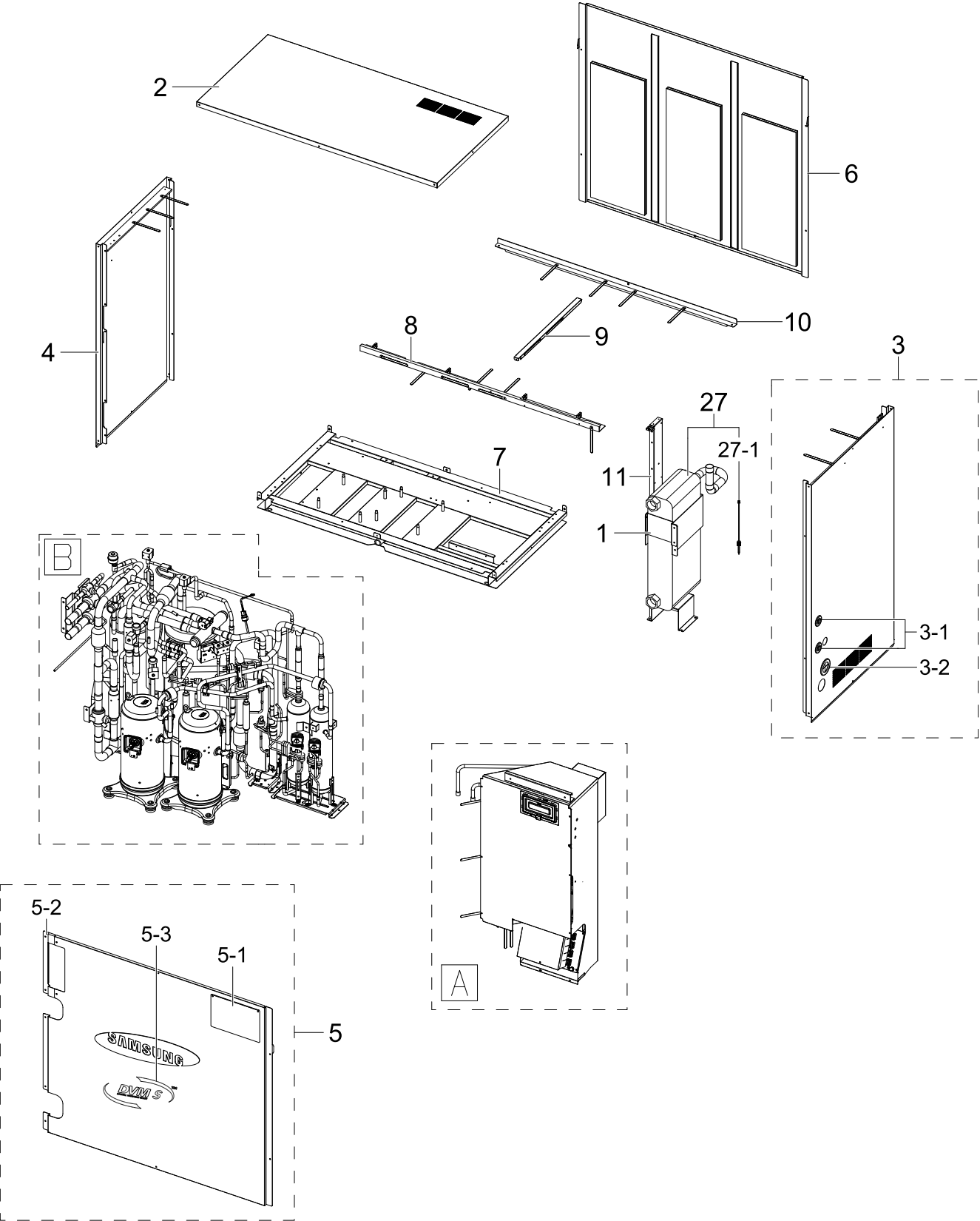


1. AM192HXWAFR/AA

Exploded View

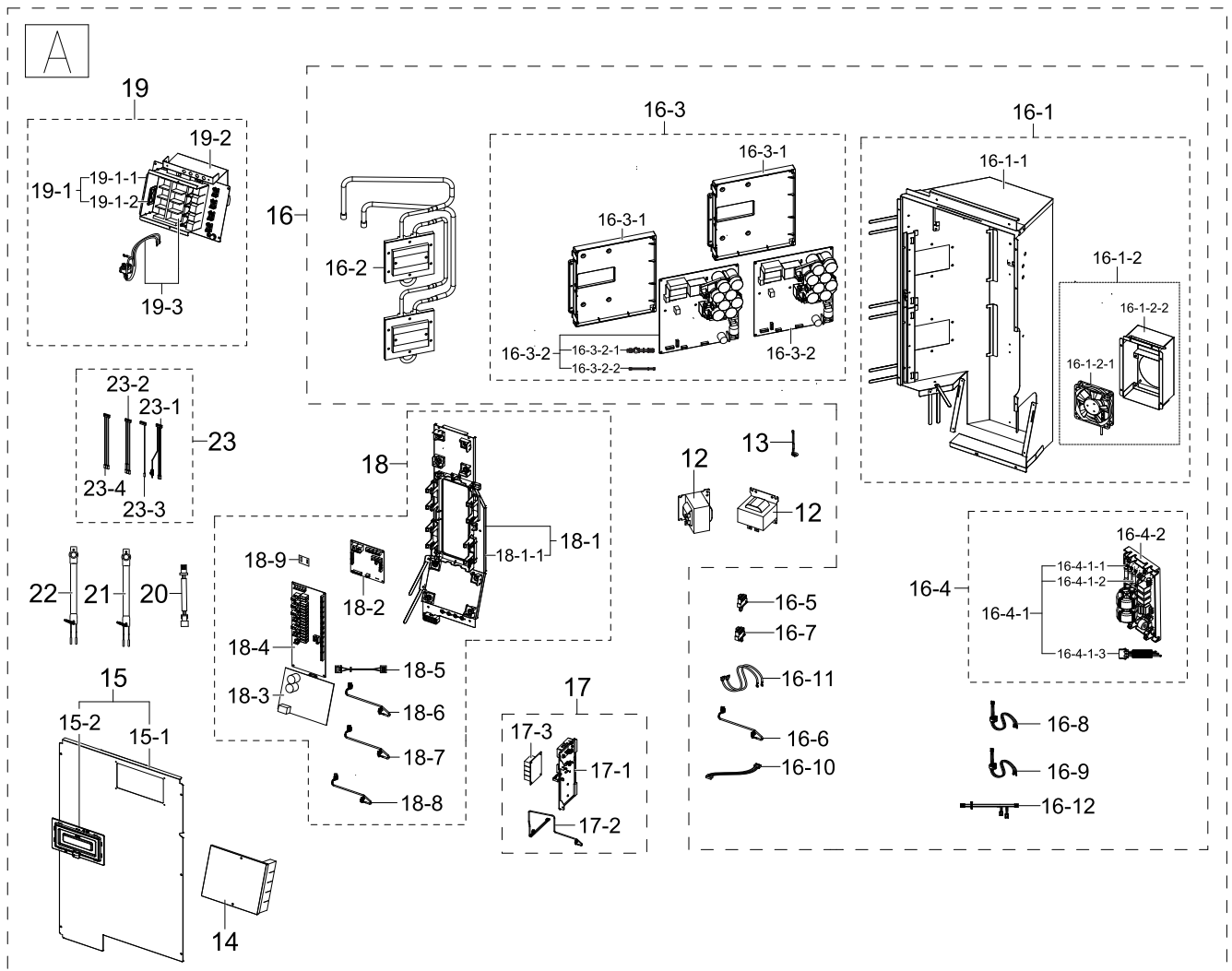


Parts List

| No. | Lvl. | Loc. | Material Code | Description & Specification | SNA | Qty. |
|------|------|-------|---------------|--|-----|------|
| 1 | 2 | | DB61-06028A | BRACKET COND-RIGHT; AM200FXWANR,GI-SGCC,T | SNA | 1 |
| 2 | 2 | | DB64-03058A | CABINET TOP; AM200FXWANR,EGI-SECC,T0.8,EA | SA | 1 |
| 3 | 2 | | DB90-07814A | ASSY CABI SIDE-RIGHT; AM100FXWANR,DVM S W | SA | 1 |
| 3-1 | 3 | | DB73-00369A | RUBBER-COVER WIRE; RWXDHN200H1,CR(RUBBER) | SA | 2 |
| 3-2 | 3 | | DB73-00370A | RUBBER-COVER WIRE; RWXDHN200H1,CR(RUBBER) | SA | 1 |
| 4 | 2 | | DB90-07815A | ASSY CABI SIDE-LEFT; AM100FXWANR,DVM S WA | SA | 1 |
| 5 | 2 | A0145 | DB90-07820A | ASSY CABI FRONT; AM200FXWANR,DVM S WATER | SA | 1 |
| 5-1 | 3 | | DB63-03550A | COVER-DISPLAY; EGI-SECC,T0.5,-,EARTH BROW | SA | 1 |
| 5-2 | 3 | | DB63-03562A | COVER-VALVE; AM200FXWANR,EGI-SECC,-,EARTH | SA | 1 |
| 5-3 | 3 | | DB98-26274B | LOGO; DVM S WATER,W350,L150,Midnight Blue | SA | 1 |
| 6 | 2 | A0140 | DB90-07821A | ASSY CABI BACK; AM200FXWANR,DVM S WATER | SA | 1 |
| 7 | 2 | A0092 | DB90-07822A | ASSY BASE OUT; AM200FXWANR,DVM S WATER | SNA | 1 |
| 8 | 2 | | DB90-07842A | ASSY FRAME-FRONT; AM200FXWANR,T1.6 | SA | 1 |
| 9 | 2 | | DB90-07843A | ASSY FRAME; AM200FXWANR,T0.8 | SA | 1 |
| 10 | 2 | | DB90-07844A | ASSY FRAME-REAR; AM200FXWANR,T1.6 | SA | 1 |
| 11 | 2 | | DB90-07847A | ASSY BRACKET COND-LEFT; AM200FXWANR,DVM S | SNA | 1 |
| 27 | 2 | | DB96-19161A | ASSY TUBE COND; AM200FXWANR,DVM S WATER | SA | 1 |
| 27-1 | 3 | | DB95-04823A | ASSY THEMISTOR-WATER TEMP; WATER TEMP,103 | SA | 1 |

2. ASSY CONTROL PART

Exploded View



Parts List

| No. | Lvl. | Loc. | Material Code | Description & Specification | SNA | Qty. |
|------|------|-------|---------------|--|-----|------|
| 12 | 2 | C0607 | DB27-00094A | COIL HARMONIC; 2mH,85.8*47.5 | SA | 2 |
| 13 | 2 | S0242 | DB81-00635A | SPRING ETC-SENSOR; DVM-SYSTEM,STS304,R2.5 | SA | 8 |
| 14 | 2 | | DB90-07288A | ASSY COVER-POWER TERMINAL; DVM PLUS S | SA | 1 |
| 15 | 2 | A2635 | DB90-07823A | ASSY COVER CONTROL; AM200FXWANR,DVM S WAT | SA | 1 |
| 15-1 | 3 | | DB63-03552A | COVER CONTROL; AM200FXWANR,GI-SGCC,T0.8,- | SNA | 1 |
| 15-2 | 3 | RB220 | DB90-03829B | ASSY-WINDOW DISPLAY; RD***HHXH2,DVM PLUS | SA | 1 |
| 16 | 2 | | DB90-08440A | ASSY CASE CONTROL-MAIN; AM192HXWAFR/AA,DV | SA | 1 |

Exploded Views and Parts List

| No. | Lvl. | Loc. | Material Code | Description & Specification | SNA | Qty. |
|----------|------|-------|---------------|---|-----|------|
| 16-1 | 3 | | DB90-07846A | ASSY CASE-MAIN; AM200FXWANR,DVM S WATER | SA | 1 |
| 16-1-1 | 4 | | DB61-06033A | PLATE-MAIN; AM200FXWANR,GI-SGCC,T0.8,- | SA | 1 |
| 16-1-2 | 4 | | DB90-07947A | ASSY CASE FAN; DVM S WATER | SA | 1 |
| 16-1-2-1 | 5 | M0039 | DB31-00625A | MOTOR FAN; F1225M12B2,DC12V | SA | 1 |
| 16-1-2-2 | 5 | | DB61-06018A | CASE FAN; AM100FXWANR,GI-SGCC,T0.8,-,,-,DV | SA | 1 |
| 16-2 | 3 | | DB96-19142A | ASSY TUBE; AM200FXWANR,COOLING 20HP | SA | 1 |
| 16-3 | 3 | | DB93-11807F | ASSY CONTROL-INVERTER; HP,INV,DVM S,230V, | SA | 2 |
| 16-3-1 | 4 | | DB61-04920A | CASE-INVERTER PCB; DVM INVERTER,ABS,T2.5, | SA | 2 |
| 16-3-2 | 4 | | DB92-02782C | ASSY PCB INVERTER; INVERTER,DVM S,240*260 | SA | 2 |
| 16-3-2-1 | 5 | | DB93-11492B | ASSY CONNECTOR WIRE-INVERTER POWER; 3,101 | SA | 2 |
| 16-3-2-2 | 5 | A2610 | DB93-12380A | ASSY CONNECTOR WIRE-REACTOR; 2,3321,12,WH | SA | 2 |
| 16-4 | 3 | | DB93-12089D | ASSY CONTROL-EMI; HP,INV,DVM TRANE,ASSY C | SA | 2 |
| 16-4-1 | 4 | A0694 | DB92-02806A | ASSY PCB SUB; EMI,DVM S USA,230*130,N,N,N | SA | 2 |
| 16-4-1-1 | 5 | | 3602-001074 | FUSE-BLOCK; 600V,30A | SA | 12 |
| 16-4-1-2 | 5 | | 3601-001816 | FUSE-ETC; 690VAC,40A,TIME-LAG,FIBER,77x17 | SA | 6 |
| 16-4-1-3 | 5 | A0664 | DB93-13976A | ASSY CONNECTOR WIRE-POWER; 4TVR0120B300NB | SA | 4 |
| 16-4-2 | 4 | | DB61-04921A | CASE-EMI PCB; DVM INVERTER,ABS,T2.5,BLACK | SA | 2 |
| 16-5 | 3 | | DB93-12405A | ASSY CONNECTOR WIRE-INVERTER SHORT; 1,156 | SA | 1 |
| 16-6 | 3 | | DB93-11520B | ASSY CONNECTOR WIRE-HUB INVERTER COMM; 4, | SA | 1 |
| 16-7 | 3 | A0626 | DB93-14253A | ASSY CONNECTOR WIRE; 1,1007,22,WHT,SMH250 | SA | 1 |
| 16-8 | 3 | A0630 | DB93-13282E | ASSY CONNECTOR WIRE-COMP; 3,3321,12,BLK,S | SA | 1 |
| 16-9 | 3 | A0630 | DB93-13282F | ASSY CONNECTOR WIRE-COMP; 3,3321,12,BLK,S | SA | 1 |
| 16-10 | 3 | | DB93-11522A | ASSY CONNECTOR WIRE-INV 220; 3,1015,18,BR | SA | 2 |
| 16-11 | 3 | | DB93-13226B | ASSY CONNECTOR WIRE-TOTAL POWER; 1,1015,1 | SA | 2 |
| 16-12 | 3 | | DB93-13412A | ASSY CONNECTOR WIRE-HUB HIGH PRESSURE; 4, | SA | 1 |

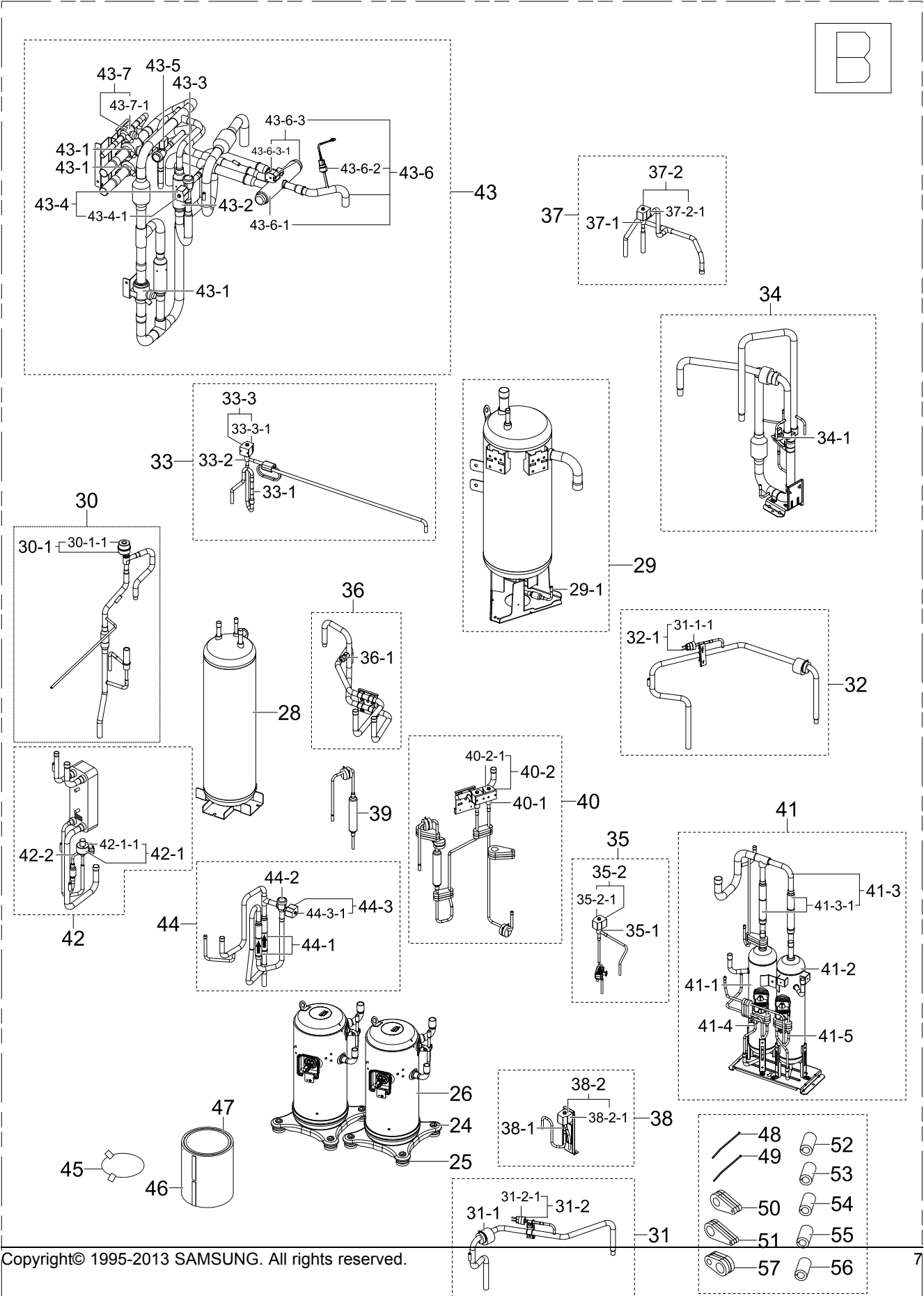
| No. | Lvl. | Loc. | Material Code | Description & Specification | SNA | Qty. |
|--------|------|-------|---------------|--|-----|------|
| 17 | 2 | | DB90-07854A | ASSY CASE CONTROL-SUB; AM100FXWANR,DVM S | SNA | 1 |
| 17-1 | 3 | | DB90-07841A | ASSY CASE-SUB; AM100FXWANR,DVM S WATER | SA | 1 |
| 17-2 | 3 | | DB93-13184A | ASSY CONNECTOR WIRE-OUTDOOR COMM; 7,1569, | SA | 1 |
| 17-3 | 3 | | DB93-13404A | ASSY PCB SUB-SUB; DVM PLUS S,ASSY PBA SUB | SA | 1 |
| 18 | 2 | | DB90-07942A | ASSY CASE CONTROL-FRONT; AM200FXWANR | SNA | 1 |
| 18-1 | 3 | | DB90-07943A | ASSY CASE-FRONT; AM200FXWANR | SA | 1 |
| 18-1-1 | 4 | | DB61-06103A | PLATE FRONT; AM200FXWANR,GI-SGCC,T0.8,- | SA | 1 |
| 18-2 | 3 | A2748 | DB92-02931A | ASSY PCB MAIN; Water Hub,AM-F900G,163X126 | SA | 1 |
| 18-3 | 3 | A2748 | DB92-02932A | ASSY PCB MAIN; DVM Water Main,AM-F900G,11 | SA | 1 |
| 18-4 | 3 | | DB93-11696B | ASSY PCB MAIN-HUB; DVM INV,380V,60HZ,Y,SM | SA | 1 |
| 18-5 | 3 | | DB93-05887B | ASSY CONNECTOR WIRE-PBA POWER; 2,1015,18, | SA | 1 |
| 18-6 | 3 | A2934 | DB93-11520D | ASSY CONNECTOR WIRE-COMM; 4,UL2095,26,RED | SA | 1 |
| 18-7 | 3 | A2934 | DB93-11520E | ASSY CONNECTOR WIRE-COMM; 4,2095,26,RED,S | SNA | 1 |
| 18-8 | 3 | | DB93-11521B | ASSY CONNECTOR WIRE-DC SIGNAL; 9,2095,26, | SA | 1 |
| 18-9 | 3 | | DB93-12483A | ASSY PCB SUB-EEPROM; DVM PLUS4UP,DVM WATE | SA | 1 |
| 19 | 2 | | DB90-08443A | ASSY CASE CONTROL-LOW; AM192HXWAJR/AA,DVM | SA | 1 |
| 19-1 | 3 | | DB90-07287A | ASSY CABINET-POWER TERMINAL; DVM PLUS S | SA | 1 |
| 19-1-1 | 4 | | DB64-02896A | CABINET-POWER TERMINAL; DVM S,SGCC-M,T0.6 | SNA | 1 |
| 19-1-2 | 4 | | DB73-00307B | RUBBER-WIRE HOLE; ADX100VAGHA/SC,RUBBER,5 | SA | 1 |
| 19-2 | 3 | | DB90-07946A | ASSY CASE-LOW; AM200FXWANR | SNA | 1 |
| 19-3 | 3 | A3088 | DB93-14002C | ASSY CONNECTOR WIRE-TERMINAL BLOCK; 6,101 | SA | 1 |
| 20 | 2 | | DB93-14344B | ASSY CONNECTOR WIRE-DC SIGNAL; 2,2095,24, | SNA | 1 |
| 21 | 2 | AA565 | DB95-00766V | ASSY COMP-HEATER; 230,62,1300,YDH236-02(W | SA | 1 |
| 22 | 2 | AA565 | DB95-00766W | ASSY COMP-HEATER; 230,62,1300,YDH236-02((| SA | 1 |

Exploded Views and Parts List

| No. | Lvl. | Loc. | Material Code | Description & Specification | SNA | Qty. |
|------|------|-------|---------------|--|-----|------|
| 23 | 2 | | DB95-05010H | ASSY THERMISTOR-TOTAL; DB95-04716H,DB95-0 | SA | 1 |
| 23-1 | 3 | | DB95-04716H | ASSY THERMISTOR-WIRE; 103AT,7P,2600,Duple | SA | 1 |
| 23-2 | 3 | | DB95-04718H | ASSY THERMISTOR-WIRE; 103AT,7P,2650,Duple | SA | 1 |
| 23-3 | 3 | A2554 | DB95-05125A | ASSY THEMISTOR; SUCTION2,103HW,7P,1500,Du | SA | 1 |
| 23-4 | 3 | | DB95-04717H | ASSY THERMISTOR-WIRE; 103AT,6P,1550,Duple | SA | 1 |

3. ASSY TUBE PART

Exploded View



Parts List

| No. | Lvl. | Loc. | Material Code | Description & Specification | SNA | Qty. |
|--------|------|-------|----------------|---|-----|------|
| 24 | 2 | S0018 | DB60-30028A | NUT-FLANGE; HWH,M8,ZPC(WHT),SWRCH18A,P1.2 | SA | 2 |
| 25 | 2 | | DB63-03269A | GROMMET-COMP INVERTER; NR | SNA | 8 |
| 26 | 2 | | DS-GB052FBVASG | SCP,63F(SCROLL),F,R410A; SCP,63F(SCROLL),F,R410A | | 2 |
| 28 | 2 | A1916 | DB96-12787A | ASSY-RECEIVER TANK; DVM WATER GEO | SA | 1 |
| 29 | 2 | | DB96-19068A | ASSY TUBE TANK-ACCUMULATOR; AM200FXWANR,D | SNA | 1 |
| 29-1 | 3 | T0128 | DB62-00541E | TUBE-FILTER; MXD-18K214A,C1220T-0,1,TUBE | SA | 1 |
| 30 | 2 | | DB96-19143A | ASSY TUBE EEV; AM200FXWANR,DVM S WATER | SA | 1 |
| 30-1 | 3 | | DB96-19261A | ASSY VALVE-EXPANSION; DVM S WATER,L2000,S | SA | 1 |
| 30-1-1 | 4 | | DB62-09643A | VALVE GEAR EXPAN; BRASS,8,2000,2500,8.0,2 | SA | 1 |
| 31 | 2 | A2757 | DB96-19144A | ASSY TUBE DISCHARGE; AM200FXWANR,DVM S WA | SA | 1 |
| 31-1 | 3 | | DB67-01292A | WEIGHT RUBBER; ADX200VGHHA1,NR,BLK,OD 15. | SNA | 1 |
| 31-1-1 | 4 | RJ101 | DB34-00071B | SWITCH PRESSURE; 4.24,1200 | SA | 1 |
| 31-2 | 3 | | DB95-04864C | ASSY-SWTICH PRESSURE; DVM INVERTER | SC | 1 |
| 31-2-1 | 4 | RJ101 | DB34-00071B | SWITCH PRESSURE; 4.24,1200 | SA | 1 |
| 32 | 2 | A2757 | DB96-19145A | ASSY TUBE DISCHARGE; AM200FXWANR,DVM S WA | SA | 1 |
| 32-1 | 3 | | DB95-04864D | ASSY-SWTICH PRESSURE; DVM INVERTER | SA | 1 |
| 33 | 2 | | DB96-19146A | ASSY TUBE-HOT GAS; AM200FXWANR,DVM S WATE | SA | 1 |
| 33-1 | 3 | V0020 | DB62-01400G | VALVE CHECK; „3/8", 1-1PASS | SA | 1 |
| 33-2 | 3 | V0038 | DB62-07588A | VALVE SOLENOID; „-,5.8 | SA | 2 |
| 33-3 | 3 | | DB96-19232A | ASSY VALVE-SOLENOID; DVM S WATER,L1900,YH | SA | 1 |
| 33-3-1 | 4 | V0039 | DB62-07589A | VALVE COIL-SOLENOID; AC220-240V,2000,Sol, | SA | 1 |
| 34 | 2 | A0045 | DB96-20237A | ASSY TUBE SUCTION; AM192HXWAJR/AA | SA | 1 |
| 34-1 | 3 | S0030 | DB32-00193B | SENSOR-REF PRESSURE; 5,UL1015 AWG 22,2000 | SA | 1 |
| 35 | 2 | | DB96-19148A | ASSY TUBE BYPASS-HOT GAS; AM200FXWANR,DVM | SA | 1 |
| 35-1 | 3 | V0038 | DB62-07588A | VALVE SOLENOID; „-,5.8 | SA | 2 |
| 35-2 | 3 | | DB96-19232C | ASSY VALVE-SOLENOID; DVM S WATER,L2000,YD | SA | 1 |
| 35-2-1 | 4 | V0039 | DB62-07589A | VALVE COIL-SOLENOID; AC220-240V,2000,Sol, | SA | 1 |

| No. | Lvl. | Loc. | Material Code | Description & Specification | SNA | Qty. |
|--------|------|-------|---------------|--|-----|------|
| 36 | 2 | | DB96-19149A | ASSY TUBE SUBCOOLER-IN; AM200FXWANR,DVM S | SA | 1 |
| 36-1 | 3 | | DB60-30010A | FASTENER-NUT FLARE; C3771 | SA | 1 |
| 37 | 2 | | DB96-19150A | ASSY TUBE BYPASS-EVI; AM200FXWANR,DVM S W | SA | 1 |
| 37-1 | 3 | V0038 | DB62-07588A | VALVE SOLENOID; .-,5.8 | SA | 2 |
| 37-2 | 3 | | DB96-19232E | ASSY VALVE-SOLENOID; DVM S WATER,L1800,YH | SA | 1 |
| 37-2-1 | 4 | V0039 | DB62-07589A | VALVE COIL-SOLENOID; AC220-240V,2000,Sol, | SA | 1 |
| 38 | 2 | | DB96-19151A | ASSY TUBE-ACCUM OIL; AM200FXWANR,DVM S WA | SA | 1 |
| 38-1 | 3 | V0038 | DB62-04149A | VALVE SOLENOID; .,1.9 | SC | 1 |
| 38-2 | 3 | | DB96-19258B | ASSY VALVE-SOLENOID; DVM S WATER,L2400,YH | SA | 1 |
| 38-2-1 | 4 | V0039 | DB62-04150A | VALVE COIL-SOLENOID; AC220-240V,2400,Sol, | SA | 1 |
| 39 | 2 | | DB96-19152A | ASSY TUBE VAPOR INJECTION-IN; AM200FXWANR | SA | 1 |
| 40 | 2 | | DB96-19153A | ASSY TUBE VAPOR INJECTION; AM200FXWANR,DV | SA | 1 |
| 40-1 | 3 | V0038 | DB62-07588A | VALVE SOLENOID; .-,5.8 | SA | 2 |
| 40-2 | 3 | | DB96-19259A | ASSY VALVE-SOLENOID; DVM S WATER,L1950,YH | SA | 1 |
| 40-2-1 | 4 | V0039 | DB62-07589A | VALVE COIL-SOLENOID; AC220-240V,2000,Sol, | SA | 1 |
| 41 | 2 | | DB96-19154A | ASSY TUBE-OIL SEPARATOR; AM200FXWANR,DVM | SA | 1 |
| 41-1 | 3 | | DB96-17639A | ASSY-OIL SEPARATOR C; DVM S | SA | 1 |
| 41-2 | 3 | | DB96-17640A | ASSY-OIL SEPARATOR D; DVM S | SA | 1 |
| 41-3 | 3 | | DB96-19155A | ASSY TUBE-OUT; AM200FXWANR,DVM S WATER | SA | 1 |
| 41-3-1 | 4 | V0020 | DB62-06188B | VALVE CHECK; .,5/8", 1-1 PASS,1-1 | SA | 2 |
| 41-4 | 3 | | DB96-19156A | ASSY TUBE RETURN-OIL GAS; AM200FXWANR,DVM | SA | 1 |
| 41-5 | 3 | | DB96-19157A | ASSY TUBE RETURN-OIL GAS; AM200FXWANR,DVM | SA | 1 |
| 42 | 2 | | DB96-19158A | ASSY TUBE SUBCOOLER; AM200FXWANR,DVM S WA | SNA | 1 |
| 42-1 | 3 | | DB96-19260A | ASSY VALVE-EXPANSION; DVM S WATER,L2800,S | SA | 1 |
| 42-1-1 | 4 | | DB62-04067H | VALVE COIL-EXPAN; 2000 | SA | 1 |
| 42-2 | 3 | V0001 | DB62-04065A | VALVE EXPAN-BODY; SUS,500,1.6 | SC | 1 |
| 43 | 2 | | DB96-20238A | ASSY TUBE 4WAY; AM192HXWAJR/AA | SA | 1 |
| 43-1 | 3 | A2865 | DB62-07613A | VALVE SERVICE-BALL; .,9/8",R410A, PIPE | SA | 3 |

Exploded Views and Parts List

| No. | Lvl. | Loc. | Material Code | Description & Specification | SNA | Qty. |
|----------|------|-------|---------------|---|-----|------|
| 43-2 | 3 | V0020 | DB62-07620A | VALVE CHECK; .,7/8", 1-1 PASS | SA | 2 |
| 43-3 | 3 | V0038 | DB62-09633A | VALVE SOLENOID; ., -,13 | SA | 2 |
| 43-4 | 3 | | DB96-19232D | ASSY VALVE-SOLENOID; DVM S WATER,L2000,YH | SA | 1 |
| 43-4-1 | 4 | V0039 | DB62-07589A | VALVE COIL-SOLENOID; AC220-240V,2000,Sol, | SA | 1 |
| 43-5 | 3 | | DB96-19232G | ASSY VALVE-SOLENOID; DVM S WATER,L1850,YH | SA | 1 |
| 43-6 | 3 | | DB96-20239A | ASSY TUBE 4WAY-VALVE; AM192HXWAJR/AA | SNA | 1 |
| 43-6-1 | 4 | V0010 | DB62-08209A | VALVE 4WAY; .,15HP,COMMON | SA | 1 |
| 43-6-2 | 4 | S0030 | DB32-00191D | SENSOR-REF PRESSURE; 5,UL1015 AWG 22,2000 | SA | 1 |
| 43-6-3 | 4 | A2855 | DB96-13291B | ASSY-4WAY VALVE COIL; DVM PLUS4,ASSY | SA | 1 |
| 43-6-3-1 | 5 | S0100 | DB33-00047B | VALVE COIL-SOLENOID; AC220-240V,2000,4way | SA | 1 |
| 43-7 | 3 | | DB96-19297A | ASSY TUBE SERVICE-VALVE; AM200FXWANR | SA | 1 |
| 43-7-1 | 4 | A2865 | DB62-07617A | VALVE SERVICE-BALL; .,5/8", R410A, PIPE | SA | 1 |
| 44 | 2 | | DB96-19160A | ASSY TUBE-LIQUID; AM200FXWANR,DVM S WATER | SNA | 1 |
| 44-1 | 3 | V0020 | DB62-06188B | VALVE CHECK; .,5/8", 1-1 PASS,1-1 | SA | 2 |
| 44-2 | 3 | V0038 | DB62-09633A | VALVE SOLENOID; ., -,13 | SA | 2 |
| 44-3 | 3 | | DB96-19232F | ASSY VALVE-SOLENOID; DVM S WATER,L1500,YH | SA | 1 |
| 44-3-1 | 4 | V0039 | DB62-07589B | VALVE COIL-SOLENOID; AC220-240V,1500,Sol, | SA | 1 |
| 45 | 2 | | DB97-21133A | ASSY-CLOTH COMP SOUND TOP; DVM+S | SNA | 2 |
| 46 | 2 | | DB97-21131A | ASSY-CLOTH COMP SOUND 52 OUTER; DVM+S | SNA | 2 |
| 47 | 2 | | DB97-21132A | ASSY-CLOTH COMP SOUND 52 INNER; DVM+S | SNA | 2 |
| 48 | 2 | | 6501-001107 | CABLE TIE; T1.5,4.8,368,BLK,NYLON66 | SNA | 4 |
| 49 | 2 | | 6501-001110 | CABLE TIE; T1.2,4.8,200,NYLON66 | SNA | 6 |
| 50 | 2 | | DB61-05571A | SUPPORT-RUBBER; CR(RUBBER),BLACK | SNA | 2 |
| 51 | 2 | | DB61-05574A | SUPPORT-RUBBER; ADX200VGHHA1,CR(RUBBER),5 | SNA | 1 |
| 52 | 2 | | DB62-03808A | INSULATION-HOLDER SENSOR; PE FOAM,12,28.5 | SNA | 1 |
| 53 | 2 | | DB62-03808C | INSULATION-HOLDER SENSOR; PE FOAM,12,ID 1 | SNA | 1 |
| 54 | 2 | | DB62-03808D | INSULATION-HOLDER SENSOR; PP+PE FOAM,T12, | SNA | 4 |
| 55 | 2 | | DB62-03808E | INSULATION-HOLDER SENSOR; PP+PE FOAM,T12, | SNA | 1 |

| No. | Lvl. | Loc. | Material Code | Description & Specification | SNA | Qty. |
|-----|------|------|---------------|---|-----|------|
| 56 | 2 | | DB62-04154A | INSULATION-HOLDER WIRE; DVM PLUS II,PP FO | SNA | 1 |
| 57 | 2 | | DB73-00518A | RUBBER-SUPPORT 28 15 40; DVM PLUS3 UP,CR, | SNA | 1 |