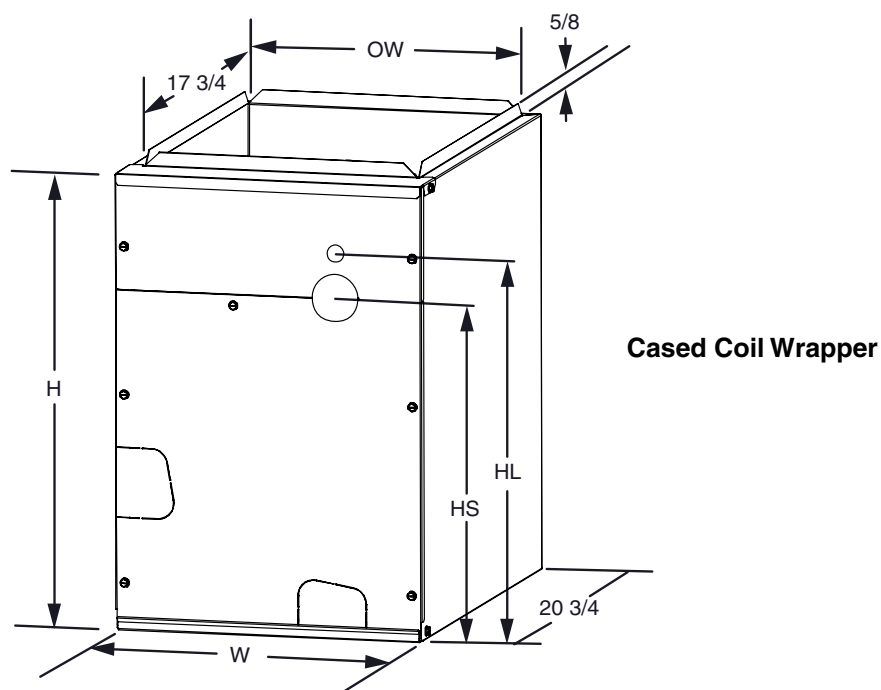
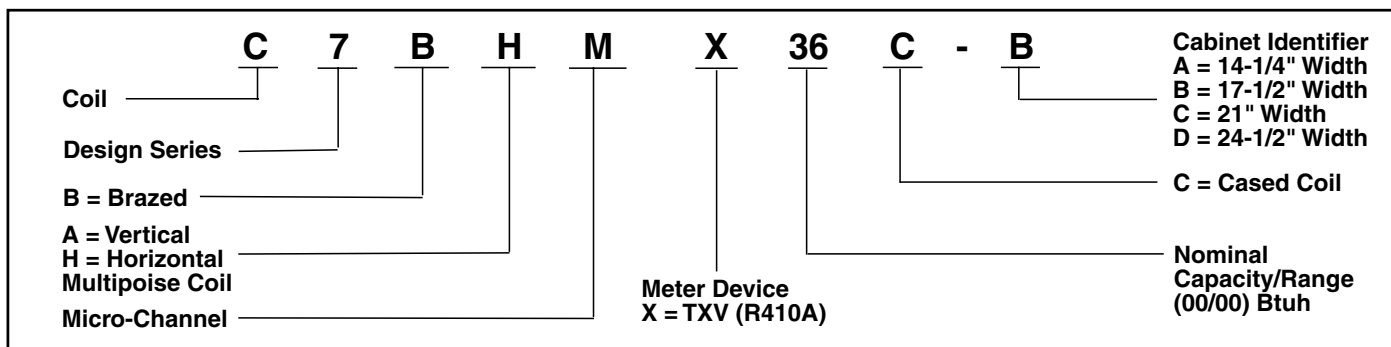


# TECHNICAL SPECIFICATIONS

## C7 Indoor Coils with TXV

### MODEL IDENTIFICATION CODE



### C7 CASED COIL WRAPPERS

SKU	Cabinet Identifier	Overall Width	Overall Height	Liquid Line Height	Suction Line Height	Opening Width
		W	H	HL	HS	OW
920256	A	14 1/4"	20 3/4"	17 1/2"	15 1/2"	12 7/8"
920257	A	14 1/4"	26 3/4"	23 1/2"	21 1/2"	12 7/8"
920258	B	17 1/2"	20 3/4"	17 1/2"	15 1/2"	16 1/8"
920259	B	17 1/2"	26 3/4"	23 1/2"	21 1/2"	16 1/8"
920260	C	21"	26 3/4"	23 1/2"	21 1/2"	19 5/8"
920261	C	21"	30 1/4"	27"	25"	19 5/8"
920262	D	24 1/2"	30 1/4"	27"	25"	23 1/8"

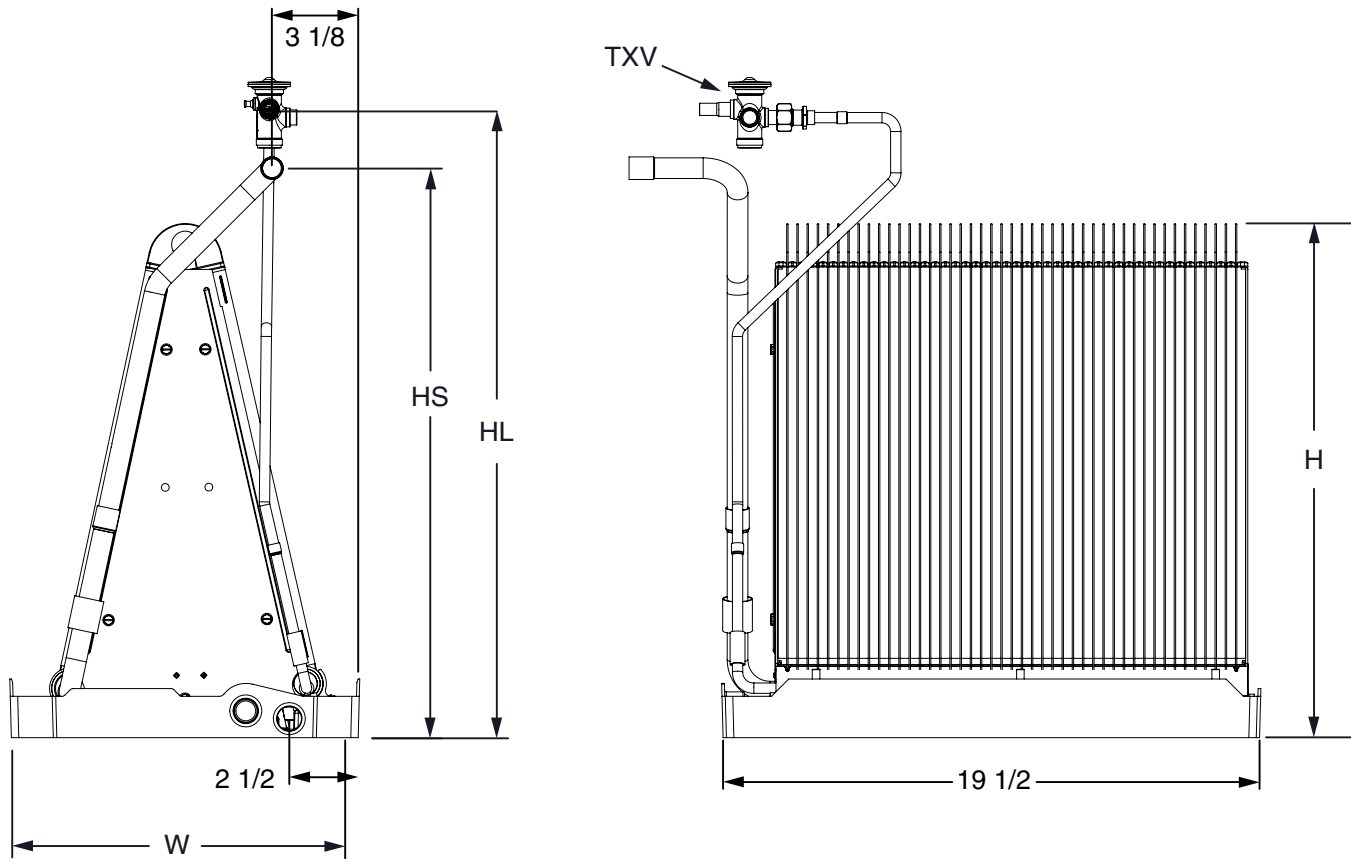


Figure 1. C7 Coil Dimensions (with TXV)

### C7 Coil Specifications (TXV Only)

	VERTICAL CASED COILS														
	A-CABINETS			B-CABINETS				C-CABINETS				D-CABINETS			
	X24C-A	X30C-A	X36C-A	X24C-B	X30C-B	X36C-B	X42C-B	X30C-C	X36C-C	X42C-C	X48C-C	X60C-C	X42C-D	X48C-D	X60C-D
METERING DEVICE	TXV	TXV	TXV	TXV	TXV	TXV	TXV	TXV	TXV	TXV	TXV	TXV	TXV	TXV	TXV
NOMINAL AIRFLOW (CFM)	800	1000	1200	800	1000	1200	1400	1000	1200	1400	1600	2000	1400	1600	2000
W - WIDTH OF CABINET (IN)	14.25	14.25	14.25	17.50	17.50	17.50	17.50	21.00	21.00	21.00	21.00	21.00	24.50	24.50	24.50
H - HEIGHT OF COIL (IN)	18.5	18.5	18.5	18	18	24.5	24.5	18	24.5	24.5	28.5	28.5	23.75	27.75	27.75
HL - HEIGHT OF LIQUID LINE (IN)	17.5	17.5	17.5	17.5	17.5	23.5	23.5	23.5	23.5	23.5	27	27	27	27	27
HS - HEIGHT OF SUCTION LINE (IN)	15.5	15.5	15.5	15.5	15.5	21.5	21.5	21.5	21.5	21.5	25	25	25	25	25
CONNECTION - LIQUID LINE (IN)	3/8	3/8	3/8	3/8	3/8	3/8	3/8	3/8	3/8	3/8	3/8	3/8	3/8	3/8	3/8
CONNECTION - SUCTION LINE (IN)	3/4	3/4	3/4	3/4	3/4	7/8	7/8	3/4	7/8	7/8	7/8	7/8	7/8	7/8	7/8
HORIZONTAL DRAIN PAN KIT	920265	920265	920265	920265	920265	920266	920266	920266	920266	920266	920267	920267	920267	920267	920267
PRESSURE DROP	0.17	0.26	0.27	0.15	0.26	0.27	0.28	0.26	0.24	0.26	0.29	0.30	0.26	0.31	0.30

**NOTES:**

1. Refer to sales specification sheets for Listed/Certified combinations of equipment and required accessories.
2. X in the model description designates factory installed TXV for R-410a refrigerant.
3. Refer to the current AHRI Directory for certified ratings of split systems.

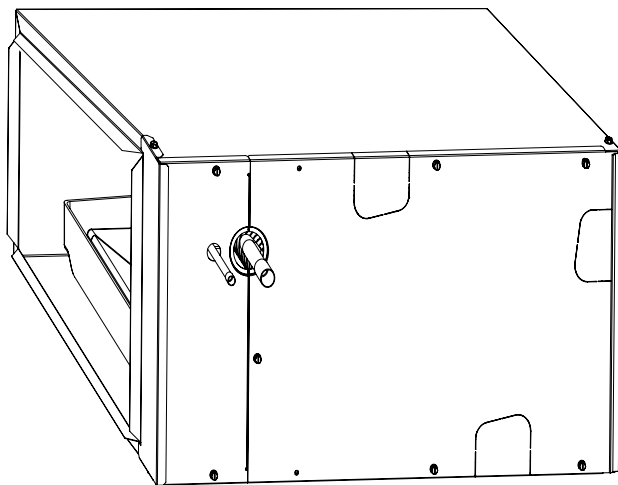
## C7 Coil Specifications (Continued)

	VERTICAL UNCASSED COILS														
	A-CABINETS			B-CABINETS				C-CABINETS				D-CABINETS			
	X24U-A	X30U-A	X36U-A	X24U-B	X30U-B	X36U-B	X42U-B	X30U-C	X36U-C	X42U-C	X48U-C	X60U-C	X42U-D	X48U-D	X60U-D
METERING DEVICE	TXV	TXV	TXV	TXV	TXV	TXV	TXV	TXV	TXV	TXV	TXV	TXV	TXV	TXV	TXV
NOMINAL AIRFLOW (CFM)	800	1000	1200	800	1000	1200	1400	1000	1200	1400	1600	2000	1400	1600	2000
W - WIDTH OF COIL (IN)	12.75	12.75	12.75	16	16	16	16	19.5	19.5	19.5	19.5	19.5	23	23	23
H - HEIGHT OF COIL (IN)	18.5	18.5	18.5	18	18	24.5	24.5	18	24.5	24.5	28.5	28.5	23.75	27.75	27.75
HL - HEIGHT OF LIQUID LINE (IN)	17.5	17.5	17.5	17.5	17.5	23.5	23.5	23.5	23.5	23.5	27	27	27	27	27
HS - HEIGHT OF SUCTION LINE (IN)	15.5	15.5	15.5	15.5	15.5	21.5	21.5	21.5	21.5	21.5	25	25	25	25	25
CONNECTION - LIQUID LINE (IN)	3/8	3/8	3/8	3/8	3/8	3/8	3/8	3/8	3/8	3/8	3/8	3/8	3/8	3/8	3/8
CONNECTION - SUCTION LINE (IN)	3/4	3/4	3/4	3/4	3/4	7/8	7/8	3/4	7/8	7/8	7/8	7/8	7/8	7/8	7/8
PRESSURE DROP	0.17	0.26	0.27	0.15	0.26	0.27	0.28	0.26	0.24	0.26	0.29	0.30	0.26	0.31	0.30

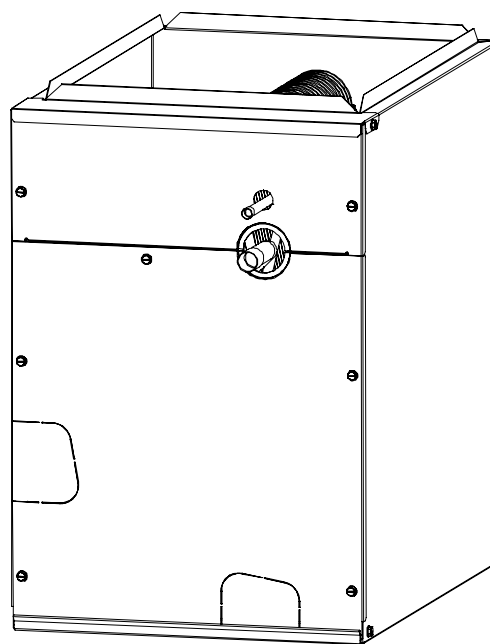
	HORIZONTAL CASSED COILS														
	A-CABINETS			B-CABINETS				C-CABINETS				D-CABINETS			
	X24C-A	X30C-A	X36C-A	X24C-B	X30C-B	X36C-B	X42C-B	X30C-C	X36C-C	X42C-C	X48C-C	X60C-C	X42C-D	X48C-D	X60C-D
METERING DEVICE	TXV	TXV	TXV	TXV	TXV	TXV	TXV	TXV	TXV	TXV	TXV	TXV	TXV	TXV	TXV
NOMINAL AIRFLOW (CFM)	800	1000	1200	800	1000	1200	1400	1000	1200	1400	1600	2000	1400	1600	2000
W - WIDTH OF CABINET (IN)	14.25	14.25	14.25	17.50	17.50	17.50	17.50	21.00	21.00	21.00	21.00	21.00	24.50	24.50	24.50
H - HEIGHT OF COIL (IN)	18.5	18.5	18.5	18	18	24.5	24.5	18	24.5	24.5	28.5	28.5	23.75	27.75	27.75
HL - HEIGHT OF LIQUID LINE (IN)	17.5	17.5	17.5	17.5	17.5	23.5	23.5	23.5	23.5	23.5	27	27	27	27	27
HS - HEIGHT OF SUCTION LINE (IN)	15.5	15.5	15.5	15.5	15.5	21.5	21.5	21.5	21.5	21.5	25	25	25	25	25
CONNECTION - LIQUID LINE (IN)	3/8	3/8	3/8	3/8	3/8	3/8	3/8	3/8	3/8	3/8	3/8	3/8	3/8	3/8	3/8
CONNECTION - SUCTION LINE (IN)	3/4	3/4	3/4	3/4	3/4	7/8	7/8	3/4	7/8	7/8	7/8	7/8	7/8	7/8	7/8
PRESSURE DROP	0.17	0.26	0.27	0.15	0.26	0.27	0.28	0.26	0.24	0.26	0.29	0.30	0.26	0.31	0.30

**NOTES:**

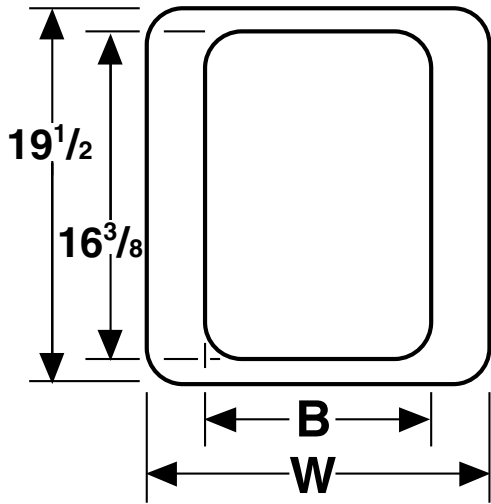
1. Refer to sales specification sheets for Listed/Certified combinations of equipment and required accessories.
2. X in the model description designates factory installed TXV for R-410a refrigerant.
3. Refer to the current AHRI Directory for certified ratings of split systems.



**Cased Coil (Horizontal Left)**



**Cased Coil**



Drain Pan—Bottom View

### DRAIN PAN DIMENSIONS

Dimension	A Cabinet	B Cabinet	C Cabinet	D Cabinet
<b>W</b>	12 3/4	16	19 1/2	23
<b>B</b>	6 5/8	9 7/8	12 3/8	16 7/8

### CASED COIL REPLACEMENT CABINET

SKU	Model Number	Cabinet SKU
922244	C7BHMx24C-A	920257
922245	C7BHMx24C-B	920259
922246	C7BHMx30C-A	920257
922247	C7BHMx30C-B	920259
922248	C7BHMx30C-C	920260
922256	C7BHMx36C-A	920257
922249	C7BHMx36C-B	920259
922250	C7BHMx36C-C	920260
922251	C7BHMx42C-C	920260
922252	C7BHMx48C-C	920261
922253	C7BHMx48C-D	920262
922254	C7BHMx60C-C	920261
922255	C7BHMx60C-D	920262



Before purchasing this appliance, read important energy cost and efficiency information available from your retailer. Specifications and illustrations subject to change without notice and without incurring obligations. Printed in U.S.A (10/2015)