

**Submittal Data: AUU12RLF
Inverter Driven Heat Pump**

12,000 BTU Compact Cassette

Job Name: _____

Date: _____

Location: _____

Approval: _____

Engineer: _____

Construction: _____

Submitted to: _____

Unit #: _____

Submitted by: _____

Drawing #: _____

Reference: _____

General Features

- Refrigerant Type R410A
- Wired and wireless remote controller
- Auto changeover
- Weekly timer
- Removable open panel
- Super quiet operation
- Removable intake grille
- Mildew-resistant filter
- Swing operation
- 5 years standard parts warranty
- Eligible for 10 year or 12 year parts warranty. See warranty statement for details.

Model Information

Evaporator..... AUU12RLF
 Condenser compatibility..... AOU18RLFC, AOU18RLXFZ, AOU18RLXFZH, AOU24RLXFZ, AOU24RLXFZH, AOU36RLXFZ, AOU36RLXFZ1, AOU36RLXFZH, AOU45RLXFZ, AOU48RLXFZ, AOU48RLXFZ1

Electrical

..... 208/230V AC 1ph-60Hz
 Available Voltage Range..... 208/230 +/- 10%
 Input Power
 Cooling..... 0.94 kW (rated) / 1.45 kW (max)
 Heating..... 1.44 kW (rated) / 2.00 kW (max)
 Current
 Cooling..... 4.4 A
 Heating..... 6.7 A

Capacity

Nominal Cooling..... 12,000 Btu/h
 Nominal Heating..... 16,600 Btu/h
 Cooling..... 3,100 – 13,600 Btu/h (Min - Max)
 Heating..... 3,100 – 19,400 Btu/h (Min - Max)

Fan Motor

Type: DC..... Turbo fan x1
 Motor Output..... 54 W
 Fan Motor Protection..... off: 268 +30°F -34°F (131 +17°C -19°C)
 on: 210 +38°F -34°F (99 +21°C -19°C)

Airflow Rate

Cooling (High / Medium / Low / Quiet)
 359 CFM (610 m3/h) / 312 CFM (530 m3/h) / 277 CFM (470 m3/h) / 241 CFM (410 m3/h)
 Heating (High / Medium / Low / Quiet)
 359 CFM (610 m3/h) / 312 CFM (530 m3/h) / 277 CFM (470 m3/h) / 241 CFM (410 m3/h)

Heat Exchanger

Dimensions
 (H x W x D) in. (mm)..... 8-9/32 x 51-9/16 x 17/32 + 8-9/32 x 49-7/32 x 17/32 (210x1310x13.3 + 210x1250x13.3)
 Fin Pitch..... 21 FPI
 Rows x Stages..... 2 x 10
 Pipe Type (Material)..... Copper
 Fin Type..... Aluminum



Temperature Setting Range

Cooling..... 64°F - 90°F (18°C - 32°C)
 Heating..... 60°F - 88°F (16°C - 30°C)

Enclosure

Material..... Galvanized Steel Sheet

Sound Pressure Level

Cooling
 High/Medium/Low/Quiet..... 37 dB (A) / 33 dB (A) / 31 dB (A) / 28 dB (A)
 Heating
 High/Medium/Low/Quiet..... 37 dB (A) / 33 dB (A) / 31 dB (A) / 28 dB (A)

Dimensions

H x W x D
 in. (mm)..... 9-21/32 x 22-7/16 x 22-7/16 (245x570x570)
 Cassette Grille..... UTG-CCGF (sold separately)
 H x W x D
 in. (mm)..... 1-15/16 x 27-9/16 x 27-9/16 (49x700x700)

Connection Pipe

Liquid..... 1/4" in. (6.35 mm)
 Gas..... 3/8" in. (9.52 mm)
 Method (Liquid/Gas)..... Flare
 Drain hose
 Material..... Hard PVC
 Size..... Ø3/4 (I.D.), Ø1-1/16 (O.D.) [Ø20.7 (I.D.), Ø26.6 (O.D.) mm]

Internal Drain Pump

Internal lift..... 27-9/16"

Weight

Net..... 33 lbs. (15 kg)
 Gross..... 40 lbs. (18 kg)
 Cassette Grille..... 5.7 lbs. (2.6 kg) Net / 10 lbs. (4.5 kg) Gross

Accessories

Wired Remote Controller..... UTY-RNNUM
 Backlit Display..... UTY-RVNUM
 Simple Remote Controller..... UTY-RSNUM
 Wireless Remote Controller..... UTY-LNHUM
 Dry Contact Wire Kit..... UTY-XWZX
 High Humidity Insulation Kit..... UTZ-KXGK
 Air Outlet Shutter Plate..... UTR-YDZB
 Fresh Air Intake..... UTZ-VXAA

Intertek®ETL Number

AUU12RLF..... 3170288

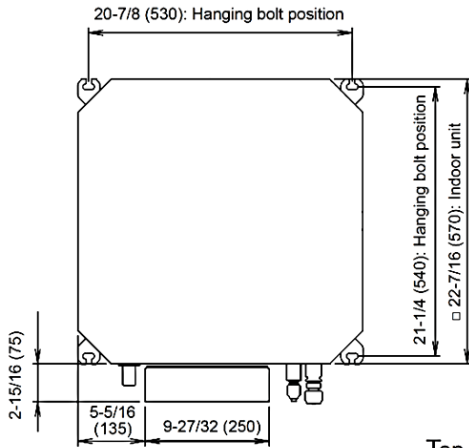
Note: Specifications are based on the following conditions.
 Cooling: Indoor temperature of 80°F (26.7°C) DB/67°F (19.44°C) WB, and outdoor temperature of 95°F (35°C) DB/75°F (23.9°C) WB.
 Heating: Indoor temperature of 70°F (21.1°C) DB/59°F (15°C) WB, and outdoor temperature of 47°F (8.33°C) DB/43°F (6.11°C) WB.
 Pipe length: 24ft. 7in. (7.5m), Height difference: 0ft. (0m) (Outdoor unit - indoor unit)



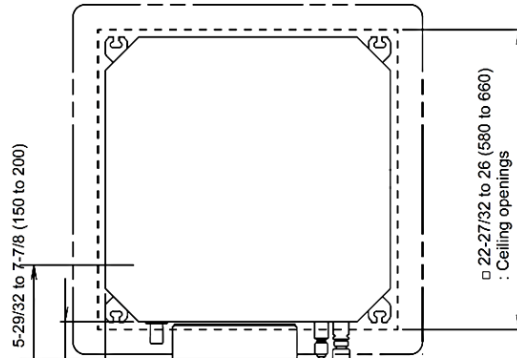
Dimensions: AUU12RLF

[Unit: in. (mm)]

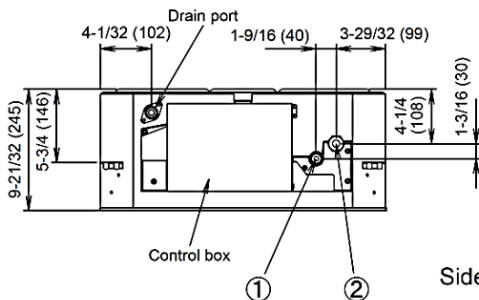
• Cassette grille mounting state



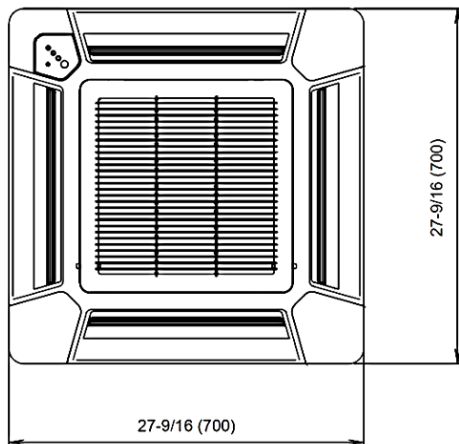
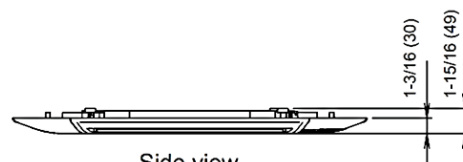
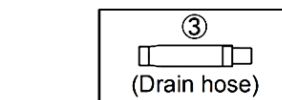
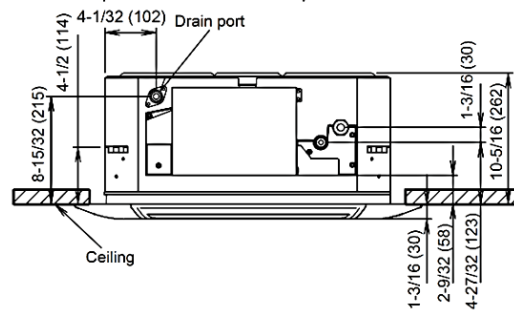
Top view



Be sure to leave maintenance space for future service at the designated position.



Side view



Bottom view

Dimensions: AUU12RLF

■ Installation Place

[Unit: in. (mm)]

