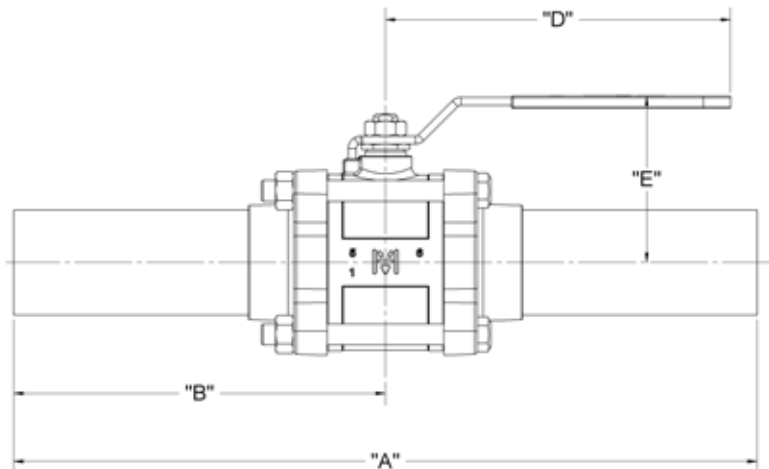
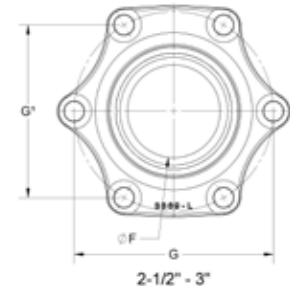
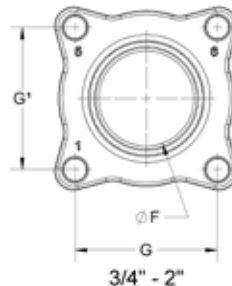
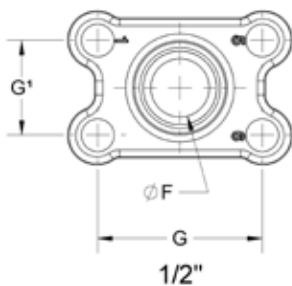


BA-350TE/350STE* 1/2" - 3"

*Not intended for use
in potable water.



Bronze Ball Valve
Three Piece
Full Port
600 WOG
Extended Tube Ends
Inline Repairable
Blow-Out Proof Stem
MSS SP-110



Dimensions

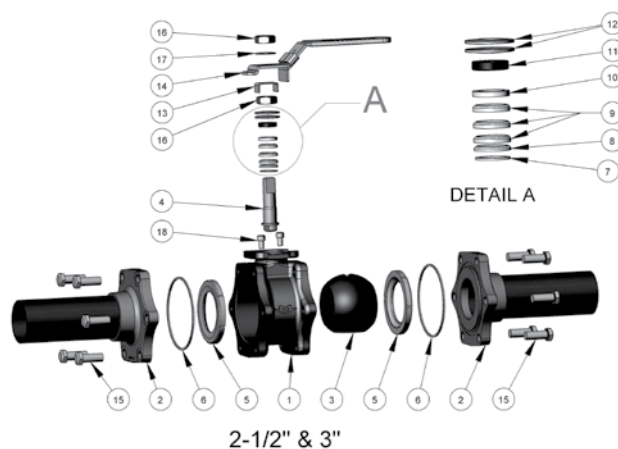
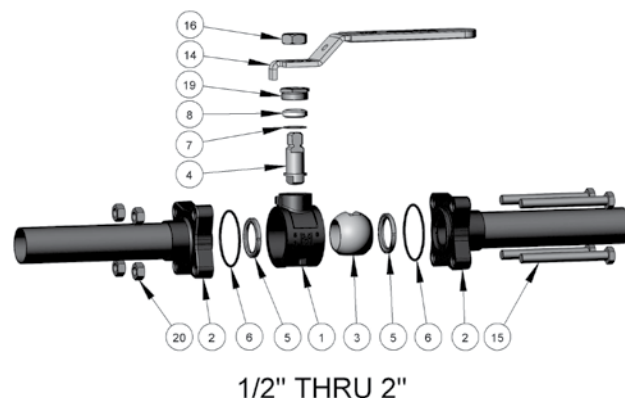
	Units	1/2"	3/4"	1"	1-1/4"	1-1/2"	2"	2-1/2"	3"
A	INCHES	13.86	13.92	14.09	14.82	15.12	15.46	19.00	19.00
	mm	352	354	358	377	384	393	483	483
B	INCHES	6.93	6.96	7.04	7.41	7.56	7.73	9.50	9.50
	mm	176	177	179	188	192	196	241	241
D	INCHES	3.75	4.50	6.25	6.25	6.25	7.13	8.00	8.00
	mm	95	114	159	159	159	181	203	203
E	INCHES	1.85	2.20	2.65	2.79	2.97	3.47	5.44	5.44
	mm	47	56	67	71	75	88	138	138
ØF	INCHES	0.50	0.75	1.00	1.25	1.50	2.00	2.50	2.50
	mm	13	19	25	32	38	51	64	64
G	INCHES	1.41	1.51	1.80	2.16	2.38	3.00	5.38	5.38
	mm	36	38	46	55	60	76	137	137
G1	INCHES	0.81	1.51	1.80	2.16	2.38	3.00	4.66	4.66
	mm	21	38	46	55	60	76	118	118

BA-350 Series

Material List			
	Part	Materials	ASTM Spec.
1	Body	Bronze	B584
2	Sil Brazed Tube	Bronze, Copper Tube	-
3	Ball	Chrome Plated Brass	B16
		316 Stainless Steel	A276
4	Stem	Brass	B16
		316 Stainless Steel	A276
5	Seat	15% Glass RPTFE	-
6	O-Ring	Viton	MIL-R-83248
7	Washer, Thrust	25% Glass RPTFE	-
8	Packing, Male	PTFE	-
	Packing "V"	PTFE	-
9	Packing, Female	PTFE	-
10	Packing Follower	Brass	B16
11	Washer, Belleville	17-7 PH S.S.	Commercial
12	Nut Locker	S.S. 301	Commercial
13	Handle Assy	Stainless Steel	A276
14	Hex Head Cap Screw	SAE, Grade 8	Commercial
15	Nut, Jam	Steel, Zinc Plating	Commercial
16	Washer, Internal Tooth	Stainless Steel	Commercial
17	Socket Head Cap Screw	Commercial Carbon Steel	Zinc Plated
18	Gland Nut	Brass	B16
19	Hex Nut	Commercial	SAE 5140

*Not intended for use in potable water.

Pressure temperature charts containing valve seat and body ratings are available from the factory. Please contact the factory for accurate application data.



Available Options

- Male Tube Ends - Type "K" (Standard)
- Female Tube Ends - Type "L" (-F) or Type "K" (-K) Cleaned For Oxygen Service In Accordance With NFPA 99C CSA-41 (-OC)
- Stainless-Steel Ball and Stem (-S)
- Stainless-Steel Locking Lever (-LD)
- Oval Handle (-OH)
- Oval Locking Handle (-LO)
- Stem Extension (-XH)
- Insulator/MS Handle (-TIH)
- Gauge Port (-G)
- Two Gauge Ports (-2G)

BA-350 Series

Specifications:

Approved valves shall be Milwaukee Valve BA-350 Series. Valves shall meet or exceed the requirements of MSS SP-110. Valves shall be 3-piece, bronze body, full-port design (1/2" - 2 1/2") 3" standard port and include flexible RPTFE seats and adjustable PTFE packing. Valves shall have a blow-out-proof stem. Valves shall be provided from the factory with Type "K" Male or Female or Type "L" Female end copper-tube extensions. When required, the valves shall be factory cleaned for oxygen service in conformance with MVES 60-02, NFPA 99C CSA-41. Each cleaned valve shall include protective caps on the copper-tube ends, and be sealed in protective bags to prevent contamination prior to installation.

BA-350 Series Medical Gas Valve Configurator

Series	Trim Material	End Connection	End Style	Gauge Ports	Handle Option	OC
BA-350	Blank - Brass	TE - Tube End	Blank - Male	Blank -None	Blank -Std	Oxygen Cleaned
	S- Stainless		F - Female	G -1 Port	LD - Locking Lever	
				2G - 2 Port		

Example: BA-350S-TE-F-G-LD-OC Stainless Steel trim, female ends, one gauge port, locking handle cleaned for oxygen