

BA-450/450S* 3/8"-2"

**Bronze Ball Valve
Two Piece
Full Port
600 WOG
Solder Ends
Blow-Out Proof Stem
MSS SP-110**

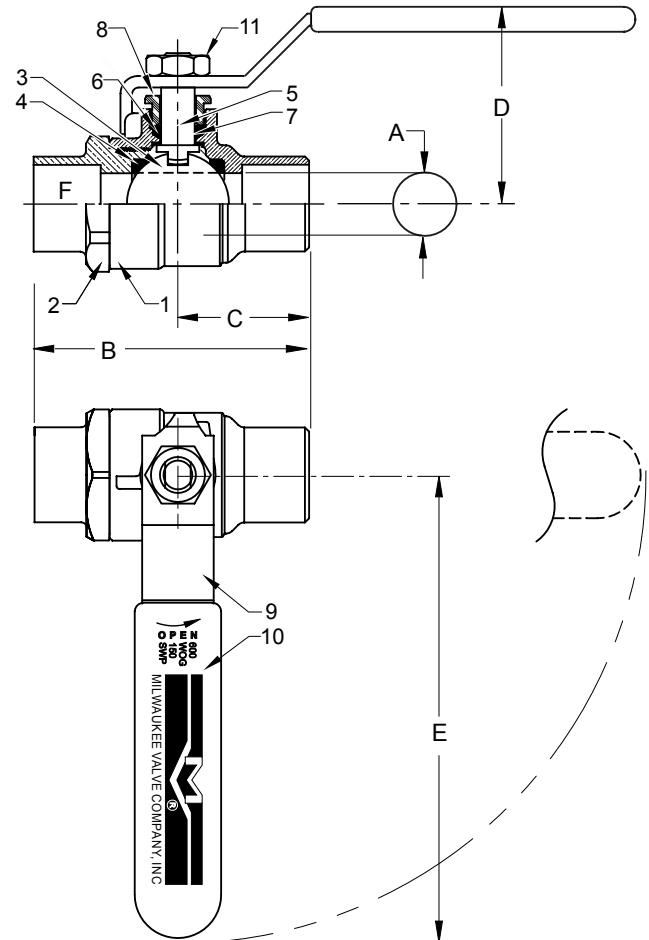
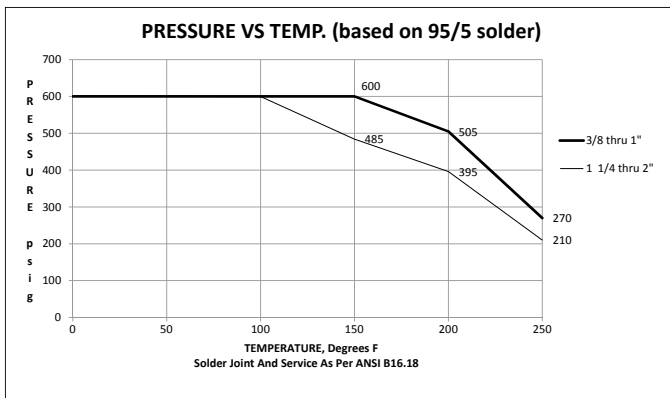
*Not intended for use in potable water.

MATERIALS LIST

ITEM	PART	MATERIALS	ASTM SPEC.
1	Body	Cast Bronze	B584
2	Tailpiece	Brass	B283
		Cast Bronze (1 1/4" & up)	B584
3	Ball	Brass w/Hard Chrome Plating	B16
		316 Stainless Steel (1)	A276
4	Seat	RPTFE, 15% Glass Filled	
5	Stem	Brass	B16
		316 Stainless Steel (1)	A276
6	Thrust Washer	RPTFE, 25% Glass Filled	
7	Packing	PTFE	
8	Packing Nut	Brass	B16
9	Handle	Steel w/Zinc Plating	Commercial
10	Hand Grip	Vinyl	Commercial
11	Handle Nut	Steel w/Zinc Plating	Commercial

(1) Ball and stem are stainless for 450S.

PRESSURE - TEMPERATURE DATA VALVES RATED FOR VACUUM SERVICE TO 29 INCHES Hg.



DIMENSIONS

	UNITS	3/8" DN10	1/2" DN15	3/4" DN20	1" DM25	1-1/4" DM32	1-1/2" DN40	2" DN50
A (DIA)	INCHES	0.38	0.50	0.76	1.06	1.31	1.56	2.00
	mm	10	13	19	27	32	40	51
B	INCHES	2.05	2.39	3.17	3.75	5.00	6.00	6.75
	mm	52	59	81	95	127	152	172
C	INCHES	0.91	1.07	1.50	1.79	2.49	3.00	3.37
	mm	23	27	38	46	63	76	86
D	INCHES	1.80	1.87	2.19	2.67	2.82	2.99	3.51
	mm	44	46	56	68	72	76	89
E	INCHES	3.80	3.80	4.56	6.31	6.31	6.31	7.19
	mm	97	97	116	160	160	160	183
F	TUBE SIZE Ø	0.51	0.63	0.88	1.13	1.38	1.63	2.13
Cv		7	15	35	60	110	185	360

Note: DN (Diameter Nominal) = Metric equivalent size.

The information presented on this sheet is correct at the time of publication. Milwaukee Valve reserves the right to change design, and/or material specifications without notice. For the Installation, Operation and Maintenance Manual (IOM) see the Technical/Service Information section on our website. For the most current information access www.milwaukeevalve.com

