

INSTALLER'S GUIDE

CURB-IN-33A
18-HE38D2-3

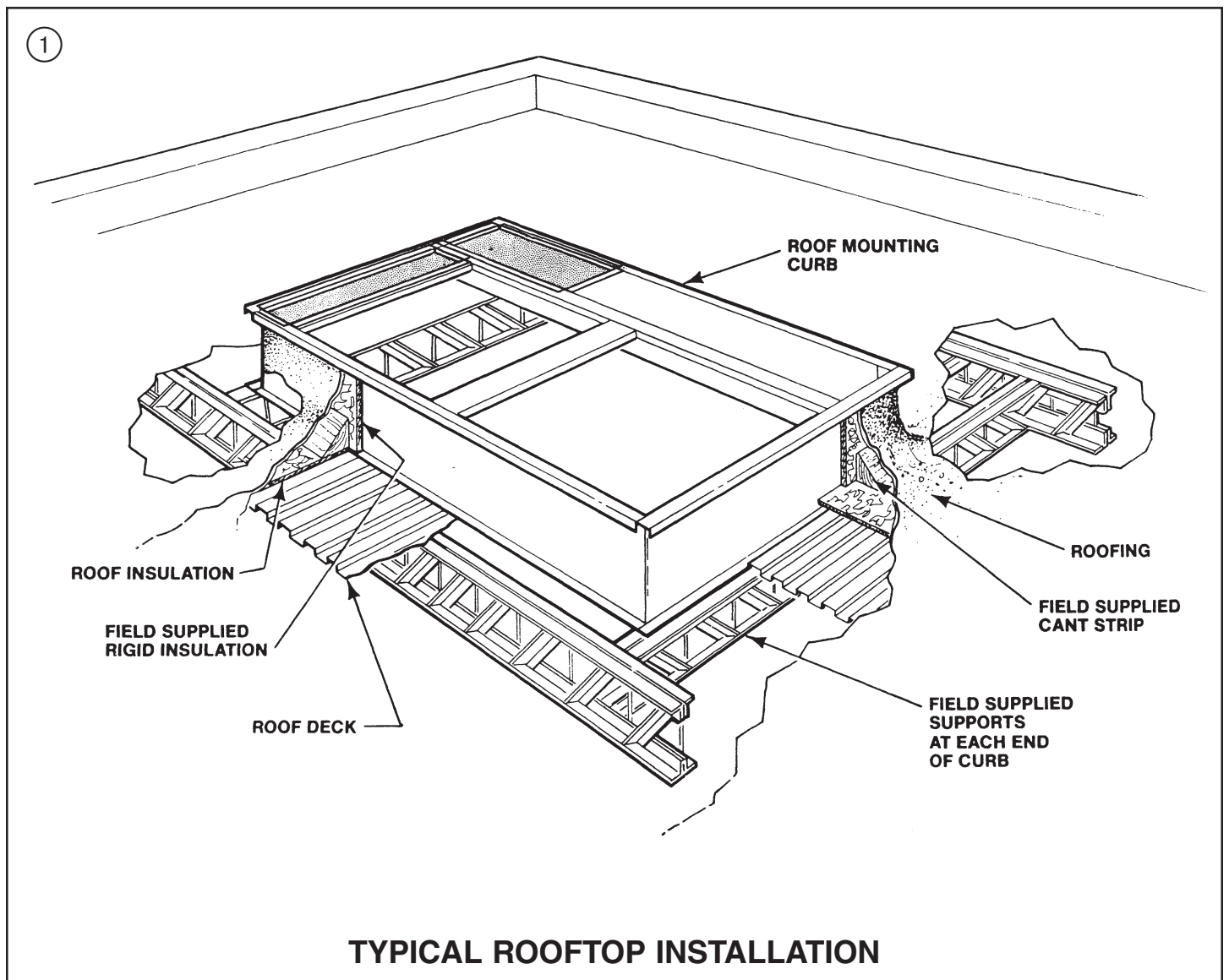
Library	Service Literature
Product Section	Unitary
Product	Unitary Accessory
Model	Roof Curbs, Ducts and Diffusers
Literature Type	Installation
Sequence	33A
Date	February 2001
File No.	SV-UN-ACC-CURB-IN-33A 2/01
Supersedes	CURB-IN-33

ALL phases of this installation must comply with
NATIONAL, STATE AND LOCAL CODES

Model:
BAYCURB033A

Used With:
YCC036F-H,042F-M,048F-M
YCX/P036F-M/H, 42F-M
YCY024-42G TCX042F
W/YCZ036F TCY036-42F
WCX036-42G DCY024-36F
WCY036-42G WCP036F

**Full Perimeter
Roof Mounting Curb
with Insulated Deck Panels**



Since the manufacturer has a policy of continuous product and product data improvement, it reserves the right to change design and specification without notice.

INSTALLER'S GUIDE

This booklet covers the rooftop curb listed for SINGLE PACKAGE UNITS.

These instructions are organized for an easy step-by-step procedure.

The BAYCURB033A ROOF MOUNTING CURB is to be field assembled with insulation on side and end rails. See page 1.

For instructions related to the Single Package Unit, refer to the instructions packaged with that unit.

NOTE: The roof mounting curb (frame) not only provides support for the unit, but permits easy penetration of the roof for the connecting ductwork. The roof mounting curb provides for proper flashing and sealing by the roofing contractor as approved by National Roofing Contractors Association.

GENERAL — LOCATIONS AND RECOMMENDATIONS

These instructions do not cover all variations in systems or every possible contingency with the installation. Should further information be desired or should particular problems arise which are not covered, please contact your distributor.

Check for transportation damage after kit is uncrated. Report promptly, to the carrier, any damage found to the kit.

1. Adequate support must be provided beneath the roof mounting curb for the entire length of the curb. The total weight of the unit, curb and duct plus any accessories must be considered when selecting and placing the curb on the roof.

2. Be sure the location of the roof mounting curb will allow needed service clearance around the unit when the unit is in place. (As illustrated.)

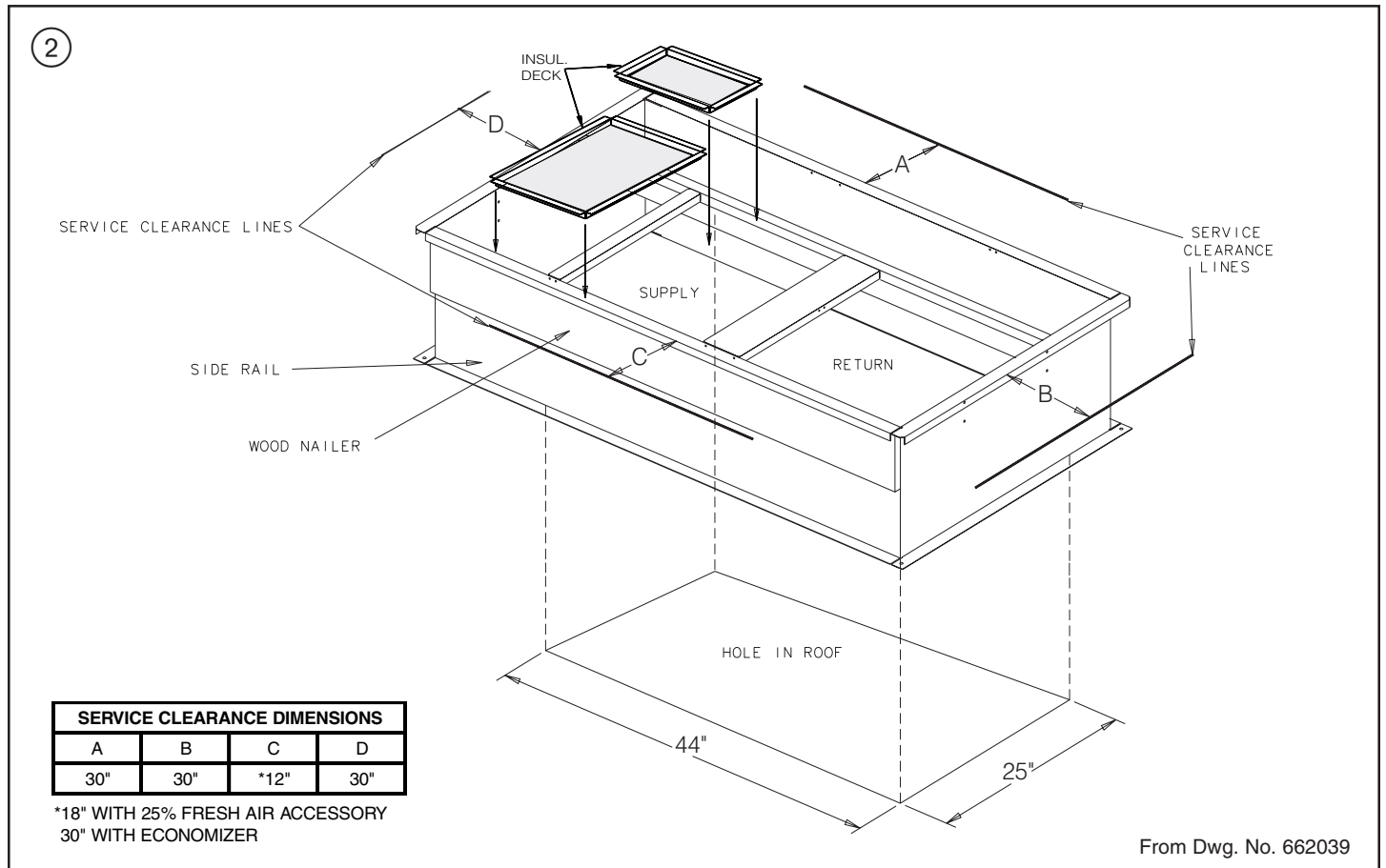
3. Roof Mounting Curb (frame) must be installed on a flat, level section of the roof (maximum of 1/4" per foot pitch), providing a level mounting surface for the unit, even though the roof is not level. If the pitch of the roof exceeds 1/4" per foot it will be necessary for the contractor to construct a subbase on which to install the roof mounting curb level.

4. Do not locate the mounting curb near exhaust vents or other sources of contaminated air that could enter unit air inlets. Although unit is water proof, guard against water run off from higher overhanging structures.

5. Field Fabricated Ductwork--Secure all ducts to building structure. Use flexible duct connectors between curb and ducts.

Ducts passing thru unconditioned space must be insulated and covered with a vapor barrier.

REQUIRED CLEARANCE FOR UNIT INSTALLATION AND ROOF PENETRATION HOLE SIZE REQUIRED FOR FULL PERIMETER CURB BAYCURB033A



**ROOF MOUNTING CURB AND SUPPLY/RETURN
SIZE REQUIRED AIR OPENING**

⚠ CAUTION: The opening must be covered temporarily to prevent anyone or anything from falling thru the opening. Follow this safety precaution when working in other areas of installation, and leaving the job site overnight or for any extended period of time.

1. All duct work must be installed in accordance with the National Fire Protection Association Standards No. 90A and 90B.

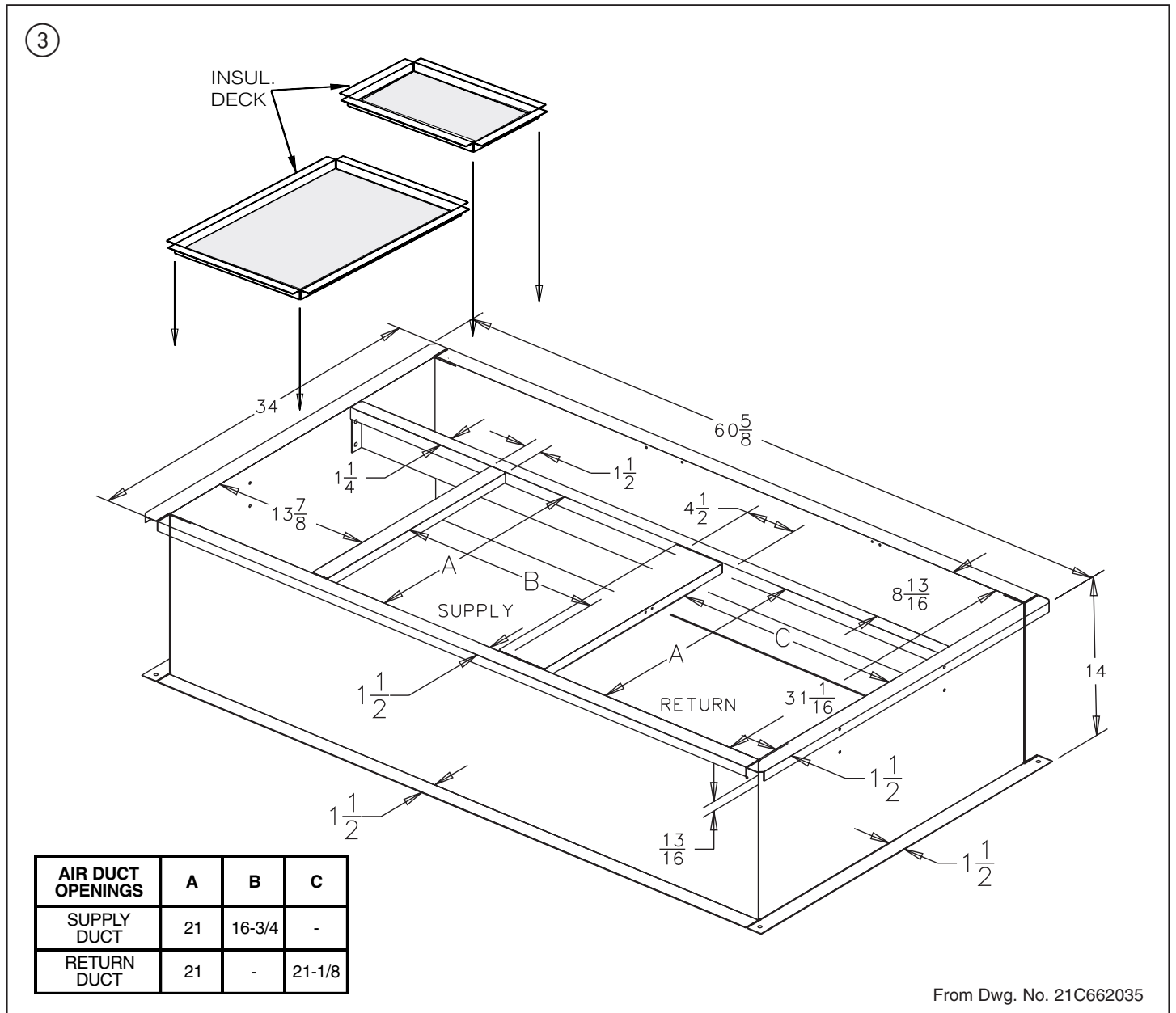
2. Remove only that portion of the roof deck required to permit the installation of field fabricated duct work.

Roof decking remaining beneath unit base pan will reduce sweating on bottom of unit base pan during high humidity conditions.

3. All components for BAYCURB033A are used to assemble roof curb for curb assembly dimensions and models listed in Figure 3.

See Figure 4 for components of curb.

**BAYCURB033A ROOF MOUNTING
CURB OUTLINE**



From Dwg. No. 21C662035

ROOF MOUNTING CURB

4. Place Mounting Curb assembly over hole cut in roof. Square the Curb by measuring from one corner diagonally to the opposite corner. Repeat this measurement of opposite corners and adjust the Curb until the measurements are the same.

NOTE: The top of the End Rails, Center Rail, Divider Baffle and Adjustable Duct Flanges must be flush with the top of the Side Rails to insure a good water and air seal against the bottom of the unit. Caulk ends of adjustable duct Flanges and Divider Baffle to prevent air leakage.

5. Secure Mounting Curb assembly to roof structure by welding or bolting.

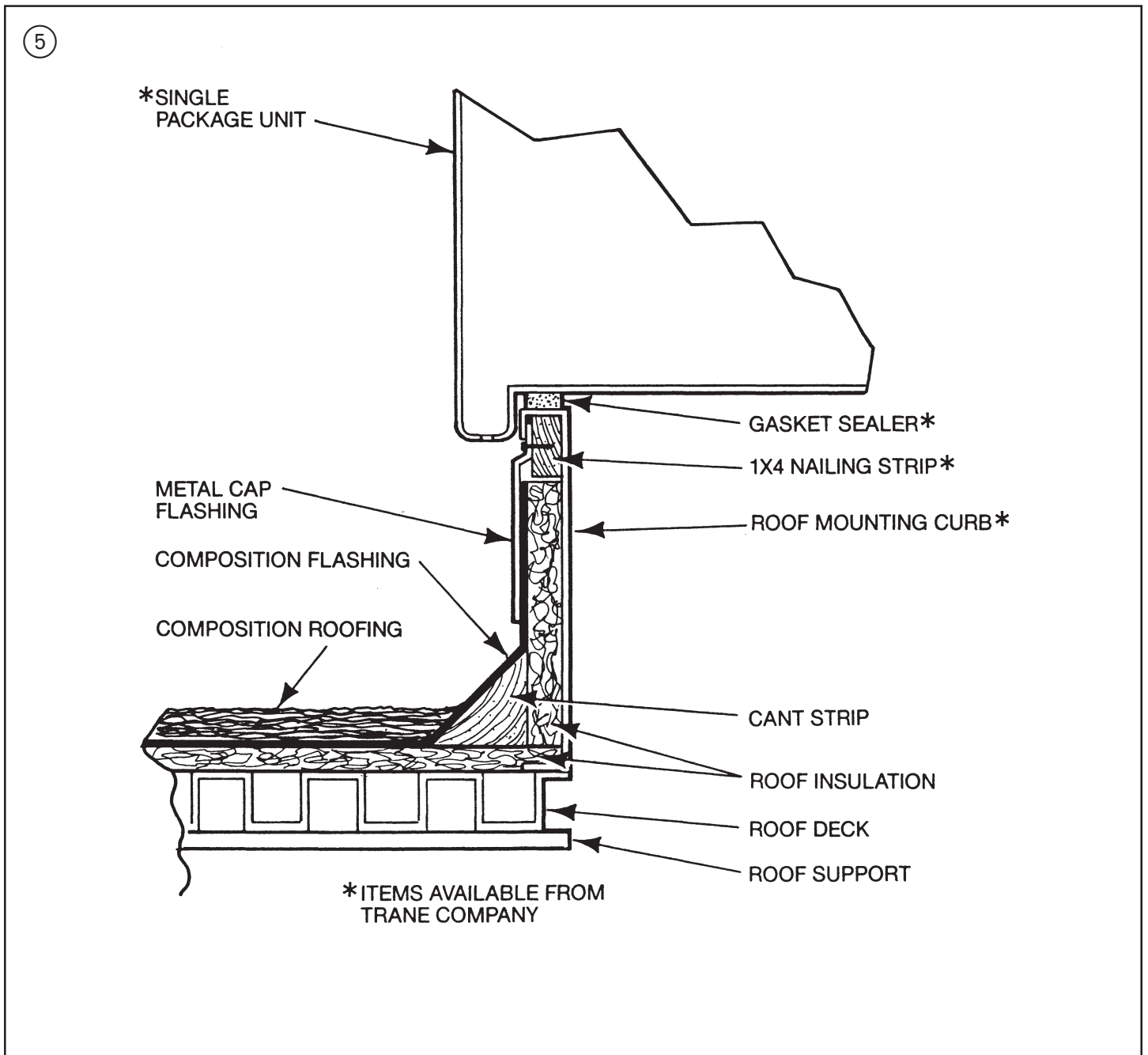
6. Install flashing and roofing as illustrated in accordance with local codes. A typical section of insulation, roof and mounting curb is shown below.

7. Leave the 2 Hold Down Brackets attached to the curb temporarily as they will not be needed until setting the unit.

NOTE: If unit is not ready to be set into position at this time, stop work on mounting curb at this point. When unit is ready to set into position, and just prior to setting unit, complete steps 10 thru 14.

8. Field Fabricated Ducts are to be installed from above mounting curb, they should be installed at this time. See Figures 6 and 7 for installation illustrations.

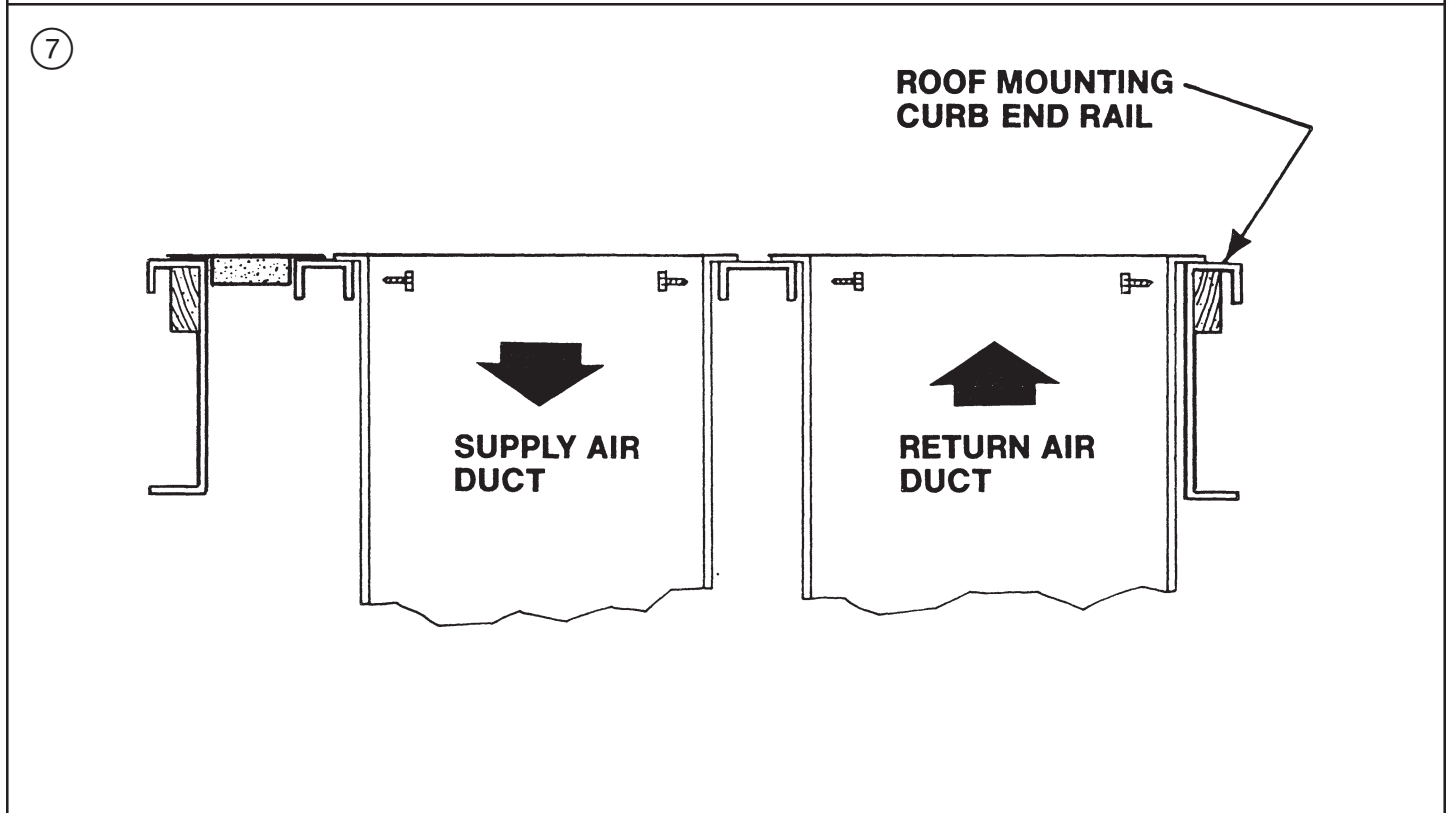
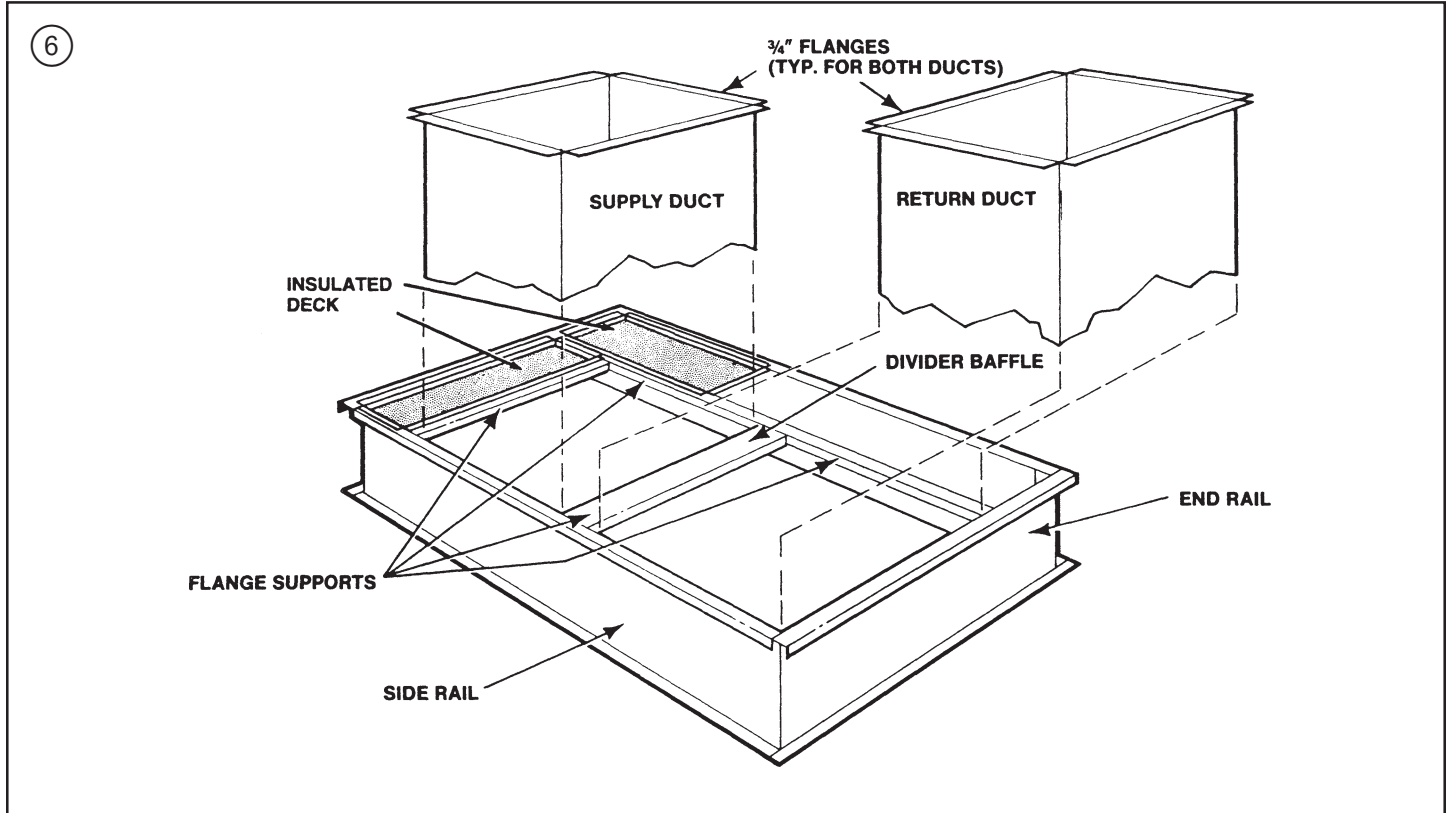
9. Apply a bead of architectural grade caulking (field supplied) at corners of curb to seal all voids, preventing water leaks.



ROOF MOUNTING CURB FIELD FABRICATED (SIDE X SIDE) DUCTS

SIDE X SIDE DUCTS INSTALLED FROM ABOVE MOUNTING CURB

Lower Field Fabricated Ducts into position on Duct Supports. See Figures 6 and 7. Make assembly secure with sheet metal screws. See Figure 7.



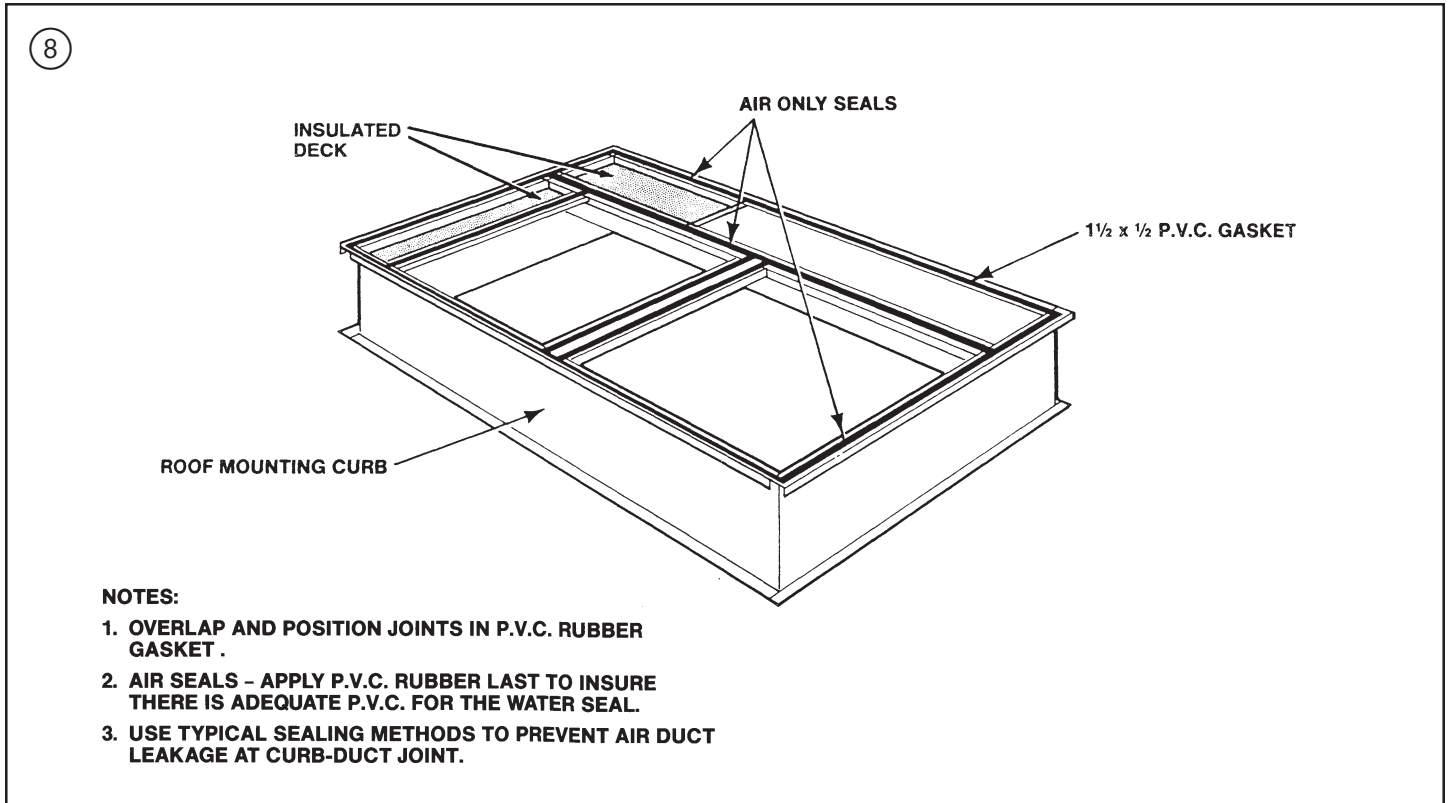
ROOF MOUNTING CURB (CONT.)

P.V.C. RUBBER GASKET

POSITION ON BAYCURB033A FOR UNIT PLACEMENT

1. Install the insulated deck pans on the curb before placing the 1-1/2" x 1/2" P.V.C. rubber tape (gasket) on mounting curb as illustrated. P.V.C. tape to be applied to curb as shown just prior to setting unit on mounting curb.

2. P.V.C. rubber tape (supplied with curb) must be applied in continuous strips of overlapped 1" minimum for complete watertight seal.



Since the manufacturer has a policy of continuous product and product data improvement, it reserves the right to change design and specification without notice.

Technical Literature - Printed in U.S.A.

American Standard Inc.

Troup Highway
Tyler, TX 75711-9010

Pub. No. 18-HE38D2-3
P.I.