



HIGH EFFICIENCY 17 SEER TWO-STAGE AIR CONDITIONER WITH OBSERVER™ COMMUNICATING CONTROL SYSTEM

2 THRU 5 TONS SPLIT SYSTEM

208 / 230 Volt, 1-phase, 60 Hz
REFRIGERATION CIRCUIT

- Copeland Scroll® Ultratech™ compressors on all models
- Filter-drier supplied with every unit for field installation
- External high and low refrigerant service ports
- High and low pressure switches
- Copper tube / aluminum fin coil

PERFORMANCE

- Self-configuring installation capabilities with Observer Communicating Wall Control
- Outdoor temperature sensor factory installed
- Ball Bearing PSC fan motors on all models
- High performance compressor sound shield standard
- Isolation compressor grommets

EASY TO INSTALL AND SERVICE

- Text based diagnostics with Observer Communicating Wall Control
- Only 2 control wires required from communicating indoor unit to condenser
- Easy access service valves on all models
- Innovative control box design
- Only two screws to access control panel
- Factory charged with R-410A refrigerant

BUILT TO LAST

- High gloss, baked-on powder coat finish over galvanized steel
- Post-painted (black) coil fins
- Coated, weather-resistant cabinet screws
- Coated inlet grille with 3/8" (10mm) spacing for extra protection
- Corner posts for extra strength and style

WARRANTY*

- 10 year No Hassle Replacement™ limited warranty
- 5 year parts limited warranty (including compressor and coil)
 - With timely registration, an additional 5 year parts limited warranty (including compressor and coil)

* Applies to original purchaser/homeowner, some limitations may apply. See Warranty certificate for complete details.



TSTAT0101SC



This product has been designed and manufactured to meet ENERGY STAR criteria for energy efficiency when matched with appropriate coil components. However, proper refrigerant charge and proper air flow are critical to achieve rated capacity and efficiency. Installation of this product should follow the manufacturer's refrigerant charging and air flow instructions. Failure to confirm proper charge and airflow may reduce energy efficiency and shorten equipment life.

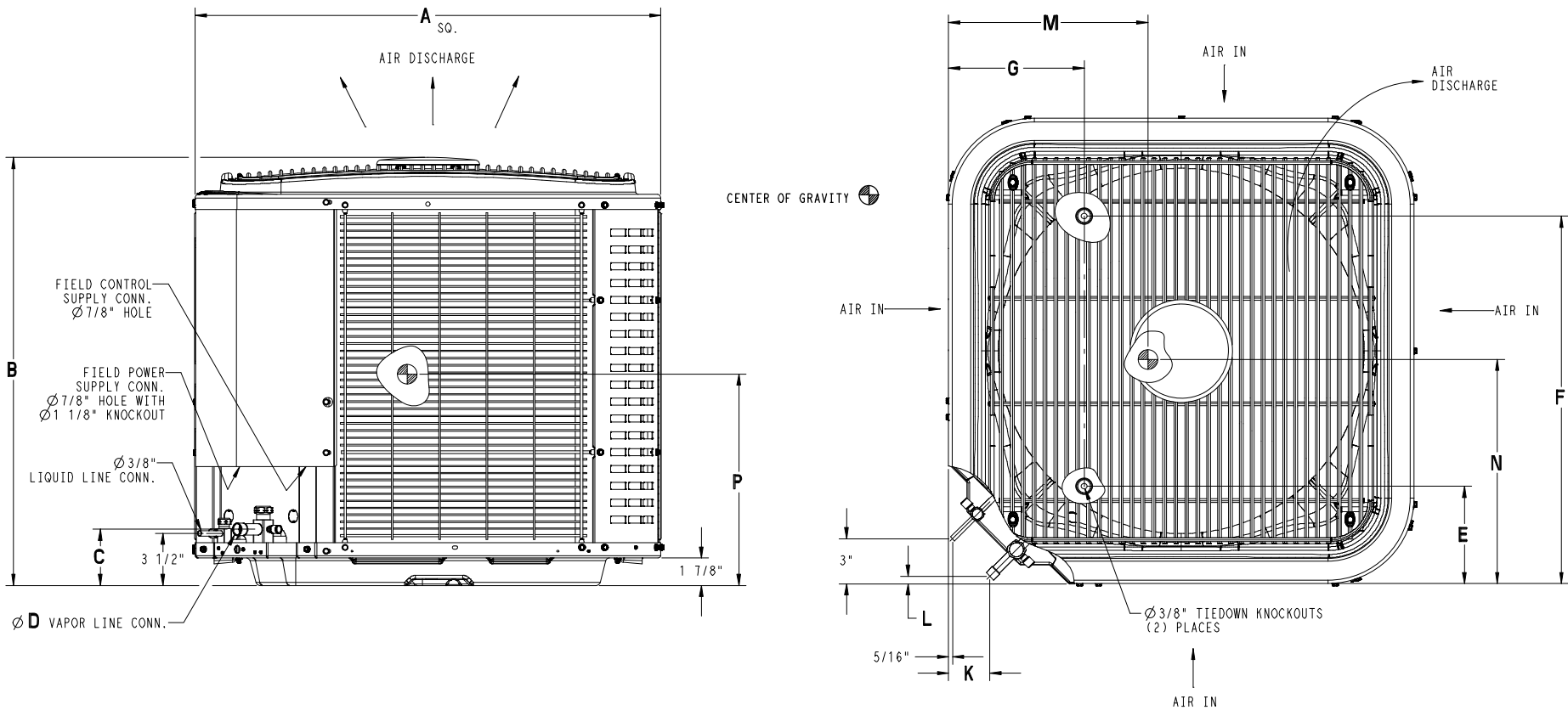


Use of the AHRI Certified TM Mark indicates a manufacturer's participation in the program. For verification of certification for individual products, go to www.ahridirectory.org.

Model Number	Size (tons)	Nominal Btu/hr	Min. Circuit Ampacity	Max. Fuse or Breaker	Operating Dimensions height x width x depth in. (mm)	Ship / Operating Weight lbs. (kg)
CCA724GKA	2	24,000	13.6	20	38-15/16 x 31-3/16 x 31-3/16 (988 x 792 x 792)	245 / 212 (111 / 96)
CCA736GKA	3	36,000	22.1	30	38-15/16 x 31-3/16 x 31-3/16 (988 x 792 x 792)	279 / 245 (127 / 111)
CCA748GKA	4	48,000	27.8	40	40-1/4 x 35 x 35 (1023 x 889 x 889)	325 / 280 (148 / 127)
CCA760GKA	5	60,000	30.1	50	47-1/16 x 35 x 35 (1196 x 889 x 889)	372 / 331 (169 / 150)

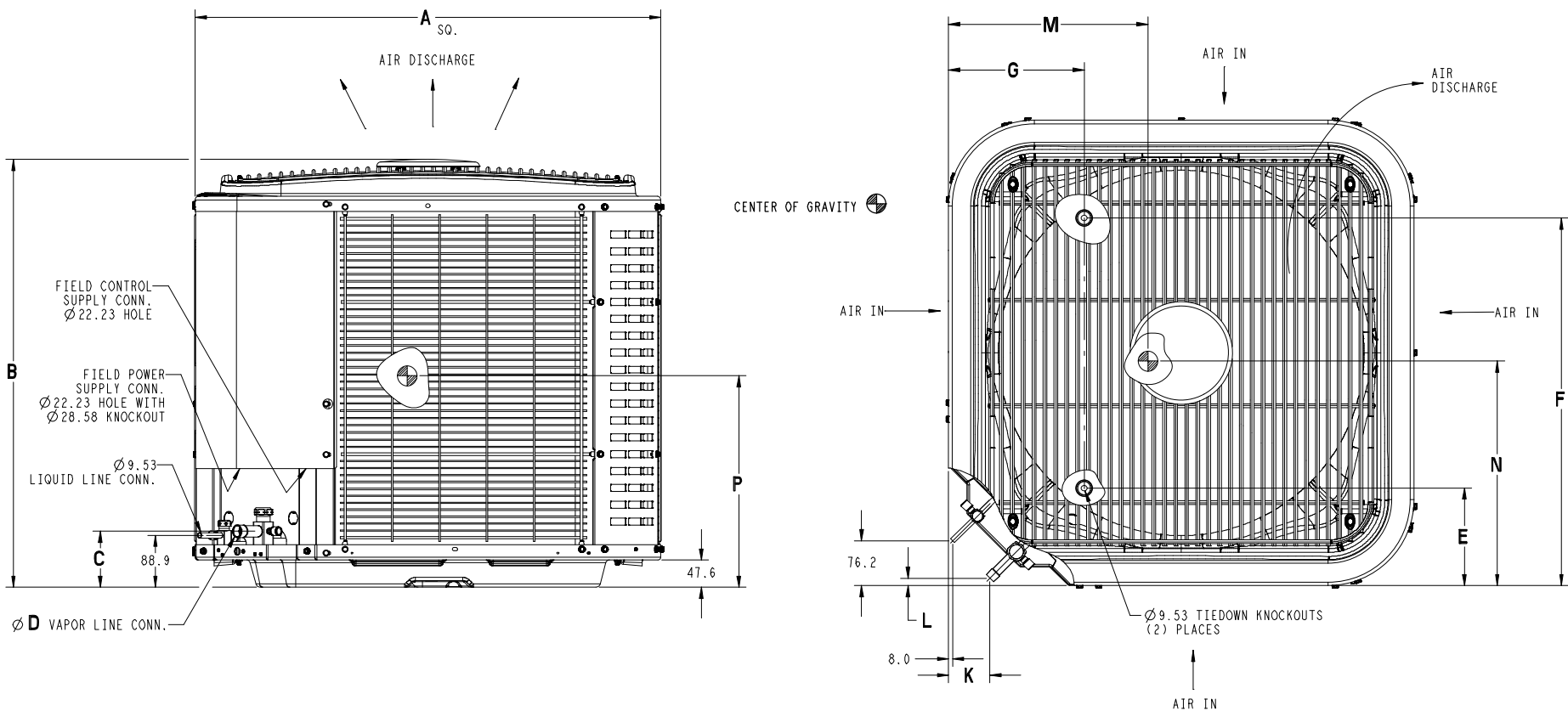
OUTDOOR UNIT MODEL NUMBER IDENTIFICATION GUIDE (single phase)											
Digit Position:	1	2	3	4	5, 6	7	8	9	10	11	12
Example Part Number:	C	C	A	7	24	G	K	A	1	0	0
C = Comfortmaker Mainline											
BRANDING											
C = Communicating		KEY CHARACTERISTIC									
A = Air Conditioner											
H = Heat Pump											
TYPE											
6 = 16 SEER											
7 = 17 SEER											
8 = 18 SEER											
9 = 19 SEER											
NOMINAL EFFICIENCY											
24 = 24,000 BTUH = 2 tons											
36 = 36,000 BTUH = 3 tons											
48 = 48,000 BTUH = 4 tons											
60 = 60,000 BTUH = 5 tons											
NOMINAL CAPACITY											
G = Coil Guard Grille						FEATURES					
K = 208/230-1-60						VOLTAGE					
Sales Code											
Engineering Revision											
Extra Digit											
Extra Digit											

ACCESSORIES PART NUMBER IDENTIFICATION GUIDE									
Digit Position:	1	2	3	4	5	6, 7	8, 9	10, 11	
Example Part Number:	N	A	S	A	0	01	01	CH	
N = Non-Branded									
A = Accessory		PRODUCT GROUP							
S = Split System (AC & HP)			KIT USAGE						
A = Original									
B = 2nd Generation									
MAJOR SERIES									
0 = Generic or Not Applicable									
2 = R-22									
4 = R-410A									
REFRIGERANT									
Product Identifier Number									
Package Quantity									
Type of Kit (Example: CH = Crankcase Heater)									



Dimensions Inches (English)

Model	Dimensions Inches (English)												Minimum Mounting Pad Size	Crated Dimensions L x W x H
	A	B	C	D	E	F	G	K	L	M	N	P		
CCA724GKA	31-3/16	38-15/16	3-3/4	3/4	6-9/16	24-11/16	9-1/8	2-13/16	1/2	16	16-5/8	16-3/4	31-1/2 x 31-1/2	32-5/16 x 35-1/2 x 42-3/4
CCA736GKA	31-3/16	38-15/16	3-7/8	7/8	6-9/16	24-11/16	9-1/8	2-15/16	5/8	16-3/8	15-5/8	19-1/4	31-1/2 x 31-1/2	32-5/16 x 35-1/2 x 42-3/4
CCA748GKA	35	40-1/4	3-7/8	7/8	6-9/16	28-7/16	9-1/8	2-15/16	5/8	16-1/2	17-5/8	18-1/2	35 x 35	36-1/8 x 39-1/4 x 46-1/8
CCA760GKA	35	47-1/16	3-7/8	7/8	6-9/16	28-7/16	9-1/8	2-15/16	5/8	17-1/2	17-1/2	20-1/2	35 x 35	36-1/8 x 39-1/4 x 50-13/16



Specifications subject to change without notice.

Model	Dimensions mm (SI Metric)												Minimum Mounting Pad Size	Crated Dimensions L x W x H
	A	B	C	D	E	F	G	K	L	M	N	P		
CCA724GKA	792	988	95	19	167	627	232	71	13	406	422	426	800 x 800	821 x 901 x 1086
CCA736GKA	792	988	99	22	167	627	232	75	16	416	399	489	800 x 800	821 x 901 x 1086
CCA748GKA	889	1023	99	22	167	722	232	75	16	419	448	470	889 x 889	918 x 998 x 1172
CCA760GKA	889	1196	99	22	167	722	232	75	16	445	445	521	889 x 889	918 x 998 x 1290

PHYSICAL DATA					
Model Size		24	36	48	60
Nominal Cooling Capacity (BTU/hr)		24,000	36,000	48,000	60,000
SEER Rating‡		16.0	17.7	17.0	16.5
Sound Rating**, High Stage (dBA)		72	72	73	73
Low Stage (dBA)		71	72	72	73
PSC Fan Motor HP		1/10	1/5	1/4	1/4
Fan RPM		825	810	825	825
Fan CFM		3008	3530	4650	4800
Coil Face Area ft ² (m ²)		21.53	21.53	25.12	30.14
Coil Rows – fins per inch		1–25	2–20	2–20	2–20
Low Pressure Switch	Open Pressure	50 ± 7 PSIG	50 ± 7 PSIG	50 ± 7 PSIG	50 ± 7 PSIG
	Close Pressure	95 ± 7 PSIG	95 ± 7 PSIG	95 ± 7 PSIG	95 ± 7 PSIG
Hi Pressure Switch	Open Pressure	670 ± 10 PSIG	670 ± 10 PSIG	670 ± 10 PSIG	670 ± 10 PSIG
	Close Pressure	470 ± 25 PSIG	470 ± 25 PSIG	470 ± 25 PSIG	470 ± 25 PSIG
Liquid Line Connection Size in. (mm)		3/8 (10)	3/8 (10)	3/8 (10)	3/8 (10)
Vapor Line Connection Size in. (mm)		3/4 (19)	7/8 (22)	7/8 (22)	7/8 (22)
Recommended Line Set Liquid Tube Diameter in. (mm)		3/8 (10)	3/8 (10)	3/8 (10)	3/8 (10)
Recommended Line Set Vapor Tube Diameter in. (mm)*		3/4 (19)*	7/8 (22)*	1–1/8 (29)*	1–1/8 (29)*
* Recommended Vapor Tube Line size is for standard installations. These recommendations may not apply to “Long Line” installations. When the total equivalent line length exceeds 80 feet (24.4m) or there is more than 20 feet (6.1m) vertical separation between indoor and outdoor units, consult the Long Line Application Guideline document before purchasing/ installing line sets.					
Factory Charge R-410A lbs. (kg)		6.63 (3.01)	10.83 (4.91)	12.20 (5.53)	15.13 (6.86)
Required Subcooling °F (°C)		8 (4)	13 (7)	11 (6)	12 (7)

ELECTRICAL DATA (208/230–1–60, voltage range 197V – 253V)					
Model Size		24	36	48	60
Minimum Circuit Ampacity – MCA (amps)		13.6	22.1	27.8	30.1
Maximum OverCurrent Protective device – MOCP (amps)		20	30	40	50
Compressor RLA (Rated Load Amps)		10.3	16.7	21.2	23.0
LRA (Locked Rotor Amps)		52	82	96	118
Fan Motor FLA (Full Load Amps)		0.7	1.2	1.2	1.3

‡ Highest sales volume tested combination.

**Sound Rating tested in accordance with AHRI Standard 270–95 (not listed with AHRI).

R-410A COOLING CAPACITY LOSS FOR VARIOUS LINE LENGTHS & TUBE DIAMETERS											
Unit Nominal Size (Btuh)	Maximum Liquid Line Diameter (OD) in.(mm)	Vapor Line Diameters (OD) in. (mm)	Cooling Capacity Loss (%) at Total Equivalent Line Length, feet (m)								
			26-50 (7.9-15.2)	51-80 (15.5-24.4)	81-100 (24.7-30.5)	101-125 (30.8-38.1)	126-150 (38.4-45.7)	151-175 (46.0-50.3)	176-200 (53.6-60.0)	201-225 (61.3-68.6)	226-250 (68.9-76.2)
24 2-Stage AC	3/8 (10)	5/8 (16)	0	1	1	2	3	3	4	4	5
		3/4 (19)	0	0	0	0	1	1	1	1	1
36 2-Stage AC		5/8 (16)	1	2	4	5	6	7	9	10	11
		3/4 (19)	0	0	1	1	2	2	3	3	4
		7/8 (22)	0	0	0	0	1	1	1	1	2
48 2-Stage AC		3/4 (19)	1	2	2	3	4	5	6	7	7
		7/8 (22)	0	1	1	2	2	2	3	3	3
		1-1/8 (29)	0	0	-	-	-	-	-	-	-
60 2-Stage AC		3/4 (19)	1	2	4	5	6	7	9	10	10
		7/8 (22)	0	1	2	2	2	3	4	4	5
		1-1/8 (29)	0	0	0	0	1	1	1	1	1

Applications in shaded area may be long line and may have height restrictions. See the AC & HP R410A Split System Long Line Applications Guideline.

- Applications in this area are not recommended due to insufficient oil return.

COOLING PERFORMANCE								
For complete ratings information, use the AHRI website directory search: www.AHRIdirectory.org .								
New ratings may be listed online before Specification Sheets are updated.								
Unit Size	Indoor Model	Furnace Model	AHRI STANDARD RATINGS					
			COOLING 95° F (35° C)					
			Capacity		SEER	EER	ID CFM	
			High	Low			HIGH	LOW
CCA724GKA	*END4X42*17**	*8MX*0451408**	24800	20600	16	13	715	585
	FCM4X24****		24600	20400	16.2	13	700	560
	FCM4X36****		24600	20200	16.5	13.2	700	560
	FVM4X24****		24600	20400	16.2	13	700	560
	FVM4X36****		24600	20200	16.2	13.2	700	560
	EA*4X24*14A*	*8MV*0701412**	24400	20200	16	13	700	560
	EA*4X24*14A*	*9MV*0401410A**	24000	20000	15	12	690	555
	EA*4X24*14A*	*9MX*0401410A**	24200	19800	15.2	11.7	775	525
	EA*4X24*14A*		23800	19600	14	11.7	700	560
	EA*4X24*17A*	*8MV*0701412**	24400	20200	16	13	700	560
	EA*4X24*17A*	*8MV*0901716**	24400	20200	16.2	13	700	560
	EA*4X24*17A*	*9MA*0601714A**	24000	20000	15.7	12.7	700	560
	EA*4X24*17A*	*9MA*0801714A**	24200	20000	15.7	12.7	700	560
	EA*4X24*17A*	*9MV*0401410A**	24000	20000	15	12	700	560
	EA*4X24*17A*	*9MV*0601714A**	23600	20400	16	12.7	675	600
	EA*4X24*17A*	*9MV*0801716A**	24200	20400	16	13	690	620
	EA*4X24*17A*	*9MX*0401410A**	24200	19800	15.2	12	785	530
	EA*4X24*17A*	*9MX*0601714A**	24200	20800	15.7	12.5	905	705
	EA*4X24*17A*	MV08B15**B*	24400	20200	16.2	13.2	700	560
	EA*4X24*17A*	OLV098A12A	24800	19800	16	12.5	863	531
	EA*4X24*17A*	OMV098J12A	24400	20000	16	12.7	724	548
	EA*4X24*17A*	OMV112K14A	24200	20200	16	13	689	580
	EA*4X24*17A*		23800	19600	14	11.7	700	560
	EA*4X30*14A*	*8MV*0701412**	24400	20200	16	13	700	560
	EA*4X30*14A*	*8MX*0451408**	24400	20200	16	12.7	720	585
	EA*4X30*14A*	*9MV*0401410A**	23600	20000	15	12	695	560
	EA*4X30*14A*	*9MX*0401410A**	24400	19800	15.2	12	780	530
	EA*4X30*14A*		24000	19600	14	11.7	700	560
	EA*4X30*17A*	*8MV*0701412**	24000	20200	16.2	13	700	560
	EA*4X30*17A*	*8MV*0901716**	24600	20200	16.2	13	700	560
	EA*4X30*17A*	*9MA*0601714A**	24400	20000	15.7	12.7	700	560
	EA*4X30*17A*	*9MA*0801714A**	24400	20000	16	13	700	560
	EA*4X30*17A*	*9MV*0401410A**	24200	20000	15.2	12.2	710	570
	EA*4X30*17A*	*9MV*0601714A**	24400	20400	16	13	690	620
	EA*4X30*17A*	*9MV*0801716A**	24000	20600	16	13	710	645
	EA*4X30*17A*	*9MX*0401410A**	24400	19800	15.2	12	795	540
	EA*4X30*17A*	*9MX*0601714A**	24600	21000	16	12.5	920	720
	EA*4X30*17A*	MV08B15**B*	24600	20200	16.2	13.2	700	560
	EA*4X30*17A*	OLV098A12A	25000	19800	16	12.7	863	531
	EA*4X30*17A*	OMV098J12A	24600	20000	16	12.7	724	548
	EA*4X30*17A*	OMV112K14A	24400	20200	16	13	689	580
	EA*4X30*17A*		24000	19600	14	11.7	700	560
	EA*4X36*14A*	*8MV*0701412**	24600	20200	16.2	13	700	560
	EA*4X36*14A*	*8MX*0451408**	24600	20400	16	13	725	590
	EA*4X36*14A*	*9MV*0401410A**	24200	20000	15.2	12.2	700	565
	EA*4X36*14A*	*9MX*0401410A**	24400	19800	15.2	12	785	535
	EA*4X36*14A*		24000	19800	14	11.7	700	560
	EA*4X36*17A*	*8MV*0701412**	24600	20200	16.2	13	700	560
	EA*4X36*17A*	*8MV*0901716**	24600	20200	16.2	13.2	700	560

* Tested Combo

COOLING PERFORMANCE								
For complete ratings information, use the AHRI website directory search: www.AHRIdirectory.org .								
New ratings may be listed online before Specification Sheets are updated.								
Unit Size	Indoor Model	Furnace Model	AHRI STANDARD RATINGS					
			COOLING 95° F (35° C)					
			Capacity		SEER	EER	ID CFM	
			High	Low			HIGH	LOW
CCA724GKA	EA*4X36*17A*	*9MA*0601714A**	24600	20200	16	13	700	560
	EA*4X36*17A*	*9MA*0801714A**	24600	20200	16	13	700	560
	EA*4X36*17A*	*9MV*0401410A**	24200	20200	15.2	12.2	710	570
	EA*4X36*17A*	*9MV*0601714A**	24400	20600	16	13	695	630
	EA*4X36*17A*	*9MV*0801716A**	24600	20800	16	13	715	655
	EA*4X36*17A*	*9MX*0401410A**	24600	20000	15.5	12	800	540
	EA*4X36*17A*	*9MX*0601714A**	25000	21000	16	12.5	925	725
	EA*4X36*17A*	MV08B15**B*	24600	20200	16.2	13.2	700	560
	EA*4X36*17A*	OLV098A12A	25200	20000	16	12.7	863	531
	EA*4X36*17A*	OMV098J12A	24600	20000	16	13	724	548
	EA*4X36*17A*	OMV112K14A	24600	20400	16.2	13	689	580
	EA*4X36*17A*		24000	19800	14	11.7	700	560
	EA*4X36*21A*	*8MV*0901716**	24600	20200	16.2	13.2	700	560
	EA*4X36*21A*	*8MV*1102120**	24600	21000	16.5	13.2	705	705
	EA*4X36*21A*	*9MA*0601714A**	24600	20200	16	13	700	560
	EA*4X36*21A*	*9MA*0602120A**	24600	20200	16	13	700	560
	EA*4X36*21A*	*9MA*0801714A**	24600	20200	16	13	700	560
	EA*4X36*21A*	*9MA*0802120A**	24600	20800	16.2	13	700	650
	EA*4X36*21A*	*9MA*1002122A**	24600	20800	16.2	13	700	650
	EA*4X36*21A*	*9MV*0601714A**	24600	20800	16	13	710	655
	EA*4X36*21A*	*9MV*0801716A**	24800	20800	16	13	735	680
	EA*4X36*21A*	*9MV*0802120A**	25000	21200	16.2	13	790	760
	EA*4X36*21A*	*9MV*1002120A**	25200	21400	16.2	13.2	840	810
	EA*4X36*21A*	*9MX*0601714A**	25400	21200	16	12.7	945	745
	EA*4X36*21A*	MV12F19**B*	24600	20200	16.2	13.2	700	560
	EA*4X36*21A*	OLV098A12A	25200	20000	16	13	863	531
	EA*4X36*21A*	OMV098J12A	24600	20200	16	13	724	548
	EA*4X36*21A*	OMV112K14A	24600	20400	16.2	13	689	580
	EA*4X36*21A*		24000	19800	14	11.7	700	560

COOLING PERFORMANCE

For complete ratings information, use the AHRI website directory search: www.AHRIdirectory.org.
 New ratings may be listed online before Specification Sheets are updated.

Unit Size	Indoor Model	Furnace Model	AHRI STANDARD RATINGS					
			COOLING 95° F (35° C)					
			Capacity		SEER	EER	ID CFM	
			High	Low			HIGH	LOW
CCA724GKA	EHD4X24A**	*8MV*0701412**	24600	20400	16.2	13	700	560
	EHD4X24A**	*8MV*0901716**	24600	20400	16.2	13	700	560
	EHD4X24A**	*8MV*1102120**	24600	21200	16	13	705	705
	EHD4X24A**	*8MV*1352422**	24600	21000	16	13	700	680
	EHD4X24A**	*8MX*0451408**	24400	20200	16	12.7	685	555
	EHD4X24A**	*9MA*0601714A**	24200	20400	15.7	12.7	700	560
	EHD4X24A**	*9MA*0602120A**	24600	20400	15.7	12.7	700	560
	EHD4X24A**	*9MA*0801714A**	24600	20400	15.7	12.7	700	560
	EHD4X24A**	*9MA*0802120A**	24600	20800	15.7	13	700	650
	EHD4X24A**	*9MA*1002122A**	24600	20800	16	13	700	650
	EHD4X24A**	*9MA*1202422A**	24600	21000	15.7	12.7	700	680
	EHD4X24A**	*9MV*0401410A**	24000	20000	15	12	665	530
	EHD4X24A**	*9MV*0601714A**	24600	20600	15.7	12.5	730	590
	EHD4X24A**	*9MV*0801716A**	24200	20200	16	12.7	645	550
	EHD4X24A**	*9MV*0802120A**	24000	20400	16	13	615	580
	EHD4X24A**	*9MV*1002120A**	24200	20600	16	13	625	590
	EHD4X24A**	*9MV*1202422A**	24800	21000	16	13	745	650
	EHD4X24A**	*9MX*0401410A**	24200	19800	15.2	12	755	505
	EHD4X24A**	*9MX*0601714A**	24400	21000	15.7	12.5	860	660
	EHD4X24A**	MV08B15**B*	24600	20400	16.2	13.2	700	560
	EHD4X24A**	MV12F19**B*	24600	20400	16	13.2	700	560
	EHD4X24A**	OLV098A12A	25000	20200	16	12.2	863	531
	EHD4X24A**	OMV098J12A	24600	20200	16	12.5	724	548
	EHD4X24A**	OMV112K14A	24000	20400	16	13	689	580
	EHD4X24A**		23600	20000	14	11.7	700	560
	EHD4X30A**	*8MV*0701412**	24200	20400	16.2	13	700	560
	EHD4X30A**	*8MV*0901716**	24800	20400	16.2	13.2	700	560
	EHD4X30A**	*8MV*1102120**	24800	21200	16.2	13	705	705
	EHD4X30A**	*8MV*1352422**	24800	21200	16.2	13.2	700	680
	EHD4X30A**	*8MX*0451408**	24600	20400	16	13	715	580
	EHD4X30A**	*9MA*0601714A**	24600	20400	16	13	700	560
	EHD4X30A**	*9MA*0602120A**	24600	20400	16	13	700	560
	EHD4X30A**	*9MA*0801714A**	24600	20400	16	13	700	560
	EHD4X30A**	*9MA*0802120A**	24600	21000	16	13	700	650
	EHD4X30A**	*9MA*1002122A**	24600	21000	16	13	700	650
	EHD4X30A**	*9MA*1202422A**	24600	21200	16	13	700	680
	EHD4X30A**	*9MV*0401410A**	23800	20200	15.2	12.2	690	555
	EHD4X30A**	*9MV*0601714A**	24400	20600	16	13	665	585
	EHD4X30A**	*9MV*0801716A**	24600	20800	16	13	680	605
	EHD4X30A**	*9MV*0802120A**	24600	21000	16	13	680	650
EHD4X30A**	*9MV*1002120A**	24200	21200	16	13	705	675	
EHD4X30A**	*9MV*1202422A**	24600	21000	16.2	13	690	650	
EHD4X30A**	*9MX*0401410A**	24400	20000	15.5	12	780	530	
EHD4X30A**	*9MX*0601714A**	24600	21200	16	12.5	895	695	
EHD4X30A**	MV08B15**B*	24800	20400	16.5	13.2	700	560	
EHD4X30A**	MV12F19**B*	24800	20400	16.2	13.2	700	560	

COOLING PERFORMANCE									
For complete ratings information, use the AHRI website directory search: www.AHRIdirectory.org .									
New ratings may be listed online before Specification Sheets are updated.									
Unit Size	Indoor Model	Furnace Model	AHRI STANDARD RATINGS						
			COOLING 95° F (35° C)						
			Capacity		SEER	EER	ID CFM		
High	Low	HIGH	LOW						
CCA724GKA	EHD4X30A**	OLV098A12A	25200	20200	16	12.5	863	531	
	EHD4X30A**	OMV098J12A	24200	20400	16	12.7	724	548	
	EHD4X30A**	OMV112K14A	24600	20600	16.2	13	689	580	
	EHD4X30A**		24000	19800	14	11.7	700	560	
	EHD4X36A**	*8MV*0701412**		25000	20600	16.5	13.2	700	560
	EHD4X36A**	*8MV*0901716**		25000	20600	16.5	13.2	700	560
	EHD4X36A**	*8MV*1102120**		25000	21400	16.5	13.2	705	705
	EHD4X36A**	*8MV*1352422**		25000	21200	16.5	13.2	700	680
	EHD4X36A**	*8MX*0451408**		25000	20600	16	13	735	590
	EHD4X36A**	*9MA*0601714A**		24600	20400	16	13	700	560
	EHD4X36A**	*9MA*0602120A**		24800	20400	16	13	700	560
	EHD4X36A**	*9MA*0801714A**		25000	20400	16	13	700	560
	EHD4X36A**	*9MA*0802120A**		25000	21000	16.2	13.2	700	650
	EHD4X36A**	*9MA*1002122A**		25000	21000	16.2	13.2	700	650
	EHD4X36A**	*9MA*1202422A**		25000	21200	16.2	13	700	680
	EHD4X36A**	*9MV*0401410A**		24600	20400	15.5	12.5	705	565
	EHD4X36A**	*9MV*0601714A**		24800	20800	16	13	685	610
	EHD4X36A**	*9MV*0801716A**		25000	21000	16.2	13	705	635
	EHD4X36A**	*9MV*0802120A**		24600	21400	16.2	13.2	730	695
	EHD4X36A**	*9MV*1002120A**		24800	21600	16.2	13.2	770	735
	EHD4X36A**	*9MV*1202422A**		25200	21400	16.2	13.2	740	700
	EHD4X36A**	*9MX*0401410A**		25000	20200	15.5	12	795	535
	EHD4X36A**	*9MX*0601714A**		25000	21400	16	12.7	925	715
	EHD4X36A**	MV08B15**B*		25000	20600	16.5	13.5	700	560
	EHD4X36A**	MV12F19**B*		25000	20400	16.2	13.5	700	560
	EHD4X36A**	OLV098A12A		25600	20200	16	13	863	531
	EHD4X36A**	OMV098J12A		25000	20400	16.2	13	724	548
	EHD4X36A**	OMV112K14A		24800	20600	16.2	13.2	689	580
	EHD4X36A**			24400	20000	14	12	700	560
	EN(A,D)4X24*14**	*8MV*0701412**		24400	20200	16	13	700	560
	EN(A,D)4X24*14**	*8MX*0451408**		24200	20200	15.7	12.5	695	565
	EN(A,D)4X24*14**	*9MV*0401410A**		23800	20000	15	12	675	545
	EN(A,D)4X24*14**	*9MX*0401410A**		24000	19800	15.2	11.7	765	520
	EN(A,D)4X24*14**			23800	19800	14	11.7	700	560
	EN(A,D)4X24*17**	*8MV*0701412**		24400	20200	16	13	700	560
	EN(A,D)4X24*17**	*8MV*0901716**		24400	20200	16	13	700	560
	EN(A,D)4X24*17**	*9MA*0601714A**		24000	20200	15.7	12.5	700	560
	EN(A,D)4X24*17**	*9MA*0801714A**		24200	20200	15.7	12.7	700	560
	EN(A,D)4X24*17**	*9MV*0401410A**		23800	20000	15	12	675	545
	EN(A,D)4X24*17**	*9MV*0601714A**		24000	20200	15.7	12.5	650	560
EN(A,D)4X24*17**	*9MV*0801716A**		24000	20200	16	12.7	660	575	
EN(A,D)4X24*17**	*9MX*0401410A**		24000	19800	15.2	11.7	765	520	
EN(A,D)4X24*17**	*9MX*0601714A**		24000	20800	15.5	12.5	865	670	
EN(A,D)4X24*17**	MV08B15**B*		24400	20200	16.2	13	700	560	
EN(A,D)4X24*17**	OLV098A12A		24800	20000	15.7	12.2	863	531	
EN(A,D)4X24*17**	OMV098J12A		24400	20000	16	12.5	724	548	
EN(A,D)4X24*17**	OMV112K14A		24200	20400	16	12.7	689	580	
EN(A,D)4X24*17**			23800	19800	14	11.7	700	560	

COOLING PERFORMANCE								
For complete ratings information, use the AHRI website directory search: www.AHRIdirectory.org .								
New ratings may be listed online before Specification Sheets are updated.								
Unit Size	Indoor Model	Furnace Model	AHRI STANDARD RATINGS					
			COOLING 95° F (35° C)					
			Capacity		SEER	EER	ID CFM	
			High	Low			HIGH	LOW
CCA724GKA	EN(A,D)4X30*14**	*8MV*0701412**	24000	20200	16	13	700	560
	EN(A,D)4X30*14**	*8MX*0451408**	24400	20200	15.7	12.7	705	580
	EN(A,D)4X30*14**	*9MV*0401410A**	24000	20000	15	12	685	560
	EN(A,D)4X30*14**	*9MX*0401410A**	24200	19800	15.2	12	770	530
	EN(A,D)4X30*14**		24000	19600	14	11.7	700	560
	EN(A,D)4X30*17**	*8MV*0701412**	24600	20200	16.2	13	700	560
	EN(A,D)4X30*17**	*8MV*0901716**	24600	20200	16.2	13	700	560
	EN(A,D)4X30*17**	*9MA*0601714A**	24200	20000	15.7	12.7	700	560
	EN(A,D)4X30*17**	*9MA*0801714A**	24400	20200	16	13	700	560
	EN(A,D)4X30*17**	*9MV*0401410A**	24200	20000	15.2	12.2	705	570
	EN(A,D)4X30*17**	*9MV*0601714A**	24400	20400	16	13	685	615
	EN(A,D)4X30*17**	*9MV*0801716A**	24000	20600	16	13	705	640
	EN(A,D)4X30*17**	*9MX*0401410A**	24400	19800	15.2	12	790	540
	EN(A,D)4X30*17**	*9MX*0601714A**	24600	21000	16	12.5	910	715
	EN(A,D)4X30*17**	MV08B15**B*	24600	20200	16.2	13.2	700	560
	EN(A,D)4X30*17**	OLV098A12A	25000	19800	16	12.7	863	531
	EN(A,D)4X30*17**	OMV098J12A	24600	20000	16	12.7	724	548
	EN(A,D)4X30*17**	OMV112K14A	24400	20200	16	13	689	580
	EN(A,D)4X30*17**		24000	19600	14	11.7	700	560
	EN(A,D)4X31*17**	*8MV*0701412**	25000	20600	16.5	13.2	700	560
	EN(A,D)4X31*17**	*8MV*0901716**	25000	20600	16.5	13.5	700	560
	EN(A,D)4X31*17**	*9MA*0601714A**	25000	20400	16	13	700	560
	EN(A,D)4X31*17**	*9MA*0801714A**	25000	20600	16.2	13	700	560
	EN(A,D)4X31*17**	*9MV*0401410A**	24800	20400	15.5	12.5	710	570
	EN(A,D)4X31*17**	*9MV*0601714A**	24800	21000	16	13	690	625
	EN(A,D)4X31*17**	*9MV*0801716A**	25000	21200	16.2	13.2	710	650
	EN(A,D)4X31*17**	*9MX*0401410A**	25000	20200	15.5	12	795	540
	EN(A,D)4X31*17**	*9MX*0601714A**	25200	21400	16	12.7	920	720
	EN(A,D)4X31*17**	MV08B15**B*	25000	20600	16.5	13.5	700	560
	EN(A,D)4X31*17**	OLV098A12A	25600	20200	16.2	13	863	531
	EN(A,D)4X31*17**	OMV098J12A	25000	20400	16.2	13	724	548
	EN(A,D)4X31*17**	OMV112K14A	25000	20800	16.5	13.2	689	580
	EN(A,D)4X31*17**		24400	20000	14	12	700	560
	EN(A,D)4X36*21**	*8MV*0901716**	24600	20200	16.2	13.2	700	560
	EN(A,D)4X36*21**	*8MV*1102120**	24600	21000	16.2	13	705	705
	EN(A,D)4X36*21**	*9MA*0601714A**	24200	20000	15.7	12.7	700	560
	EN(A,D)4X36*21**	*9MA*0602120A**	24400	20200	15.7	13	700	560
	EN(A,D)4X36*21**	*9MA*0801714A**	24400	20200	16	13	700	560
	EN(A,D)4X36*21**	*9MA*0802120A**	24400	20600	16	13	700	650
	EN(A,D)4X36*21**	*9MA*1002122A**	24600	20600	16	13	700	650
	EN(A,D)4X36*21**	*9MV*0601714A**	24400	20400	16	13	685	620
	EN(A,D)4X36*21**	*9MV*0801716A**	24000	20600	16	13	705	640
	EN(A,D)4X36*21**	*9MV*0802120A**	24600	21000	16	13	725	695
	EN(A,D)4X36*21**	*9MV*1002120A**	24800	21000	16	13	760	730
	EN(A,D)4X36*21**	*9MX*0601714A**	24600	21000	16	12.5	915	715
	EN(A,D)4X36*21**	MV12F19**B*	24600	20200	16.2	13.2	700	560
	EN(A,D)4X36*21**	OLV098A12A	25000	19800	16	12.7	863	531
	EN(A,D)4X36*21**	OMV098J12A	24600	20000	16	12.7	724	548

COOLING PERFORMANCE								
For complete ratings information, use the AHRI website directory search: www.AHRIdirectory.org .								
New ratings may be listed online before Specification Sheets are updated.								
Unit Size	Indoor Model	Furnace Model	AHRI STANDARD RATINGS					
			COOLING 95° F (35° C)					
			Capacity		SEER	EER	ID CFM	
High	Low	HIGH	LOW					
CCA724GKA	EN(A,D)4X36*21**	OMV112K14A	24400	20200	16.2	13	689	580
	EN(A,D)4X37*17**	*8MV*0701412**	25200	20800	16.7	13.5	700	560
	EN(A,D)4X37*17**	*8MV*0901716**	24800	20800	16.7	13.5	700	560
	EN(A,D)4X37*17**	*9MA*0601714A**	25200	20600	16.2	13	700	560
	EN(A,D)4X37*17**	*9MA*0801714A**	25200	20800	16.5	13.2	700	560
	EN(A,D)4X37*17**	*9MV*0401410A**	25000	20800	15.5	12.5	715	580
	EN(A,D)4X37*17**	*9MV*0601714A**	25200	21200	16.2	13	700	640
	EN(A,D)4X37*17**	*9MV*0801716A**	25400	21400	16.5	13.2	725	665
	EN(A,D)4X37*17**	*9MX*0401410A**	25400	20400	15.7	12.2	805	545
	EN(A,D)4X37*17**	*9MX*0601714A**	25400	21800	16.2	13	930	735
	EN(A,D)4X37*17**	MV08B15**B*	25400	20800	16.7	13.7	700	560
	EN(A,D)4X37*17**	OLV098A12A	25400	20400	16.2	13	863	531
	EN(A,D)4X37*17**	OMV098J12A	24800	20600	16.5	13.2	724	548
	EN(A,D)4X37*17**	OMV112K14A	26000	22200	17	13.5	875	784
	EN(A,D)4X37*17**		24600	20200	14.5	12	700	560
	EN(A,D,W)4X36*17**	*8MV*0701412**	24600	20200	16.2	13	700	560
	EN(A,D,W)4X36*17**	*8MV*0901716**	24600	20200	16.2	13	700	560
	EN(A,D,W)4X36*17**	*9MA*0601714A**	24200	20000	15.7	12.7	700	560
	EN(A,D,W)4X36*17**	*9MA*0801714A**	24400	20200	16	13	700	560
	EN(A,D,W)4X36*17**	*9MV*0401410A**	24200	20000	15.2	12.2	705	570
	EN(A,D,W)4X36*17**	*9MV*0601714A**	24400	20400	16	13	685	615
	EN(A,D,W)4X36*17**	*9MV*0801716A**	24000	20600	16	13	705	640
	EN(A,D,W)4X36*17**	*9MX*0401410A**	24400	19800	15.2	12	790	540
	EN(A,D,W)4X36*17**	*9MX*0601714A**	25200	21000	15.7	12.5	910	715
	EN(A,D,W)4X36*17**	MV08B15**B*	24600	20200	16.2	13.2	700	560
	EN(A,D,W)4X36*17**	OLV098A12A	25000	19800	16	12.7	863	531
	EN(A,D,W)4X36*17**	OMV098J12A	24600	20000	16	12.7	724	548
	EN(A,D,W)4X36*17**	OMV112K14A	24400	20200	16	13	689	580
	EN(A,D,W)4X36*17**		24000	19600	14	11.7	700	560
	ENH4X24*17**	*8MV*0701412**	24400	20200	16	13	700	560
	ENH4X24*17**	*8MV*0901716**	24400	20200	16	13	700	560
	ENH4X24*17**	*8MV*1102120**	24400	21000	16	13	705	705
	ENH4X24*17**	*8MV*1352422**	24400	20800	16	13	700	680
	ENH4X24*17**	*8MX*0451408**	24200	20200	15.7	12.5	695	565
	ENH4X24*17**	*9MA*0601714A**	24000	20200	15.7	12.5	700	560
	ENH4X24*17**	*9MA*0801714A**	24200	20200	15.7	12.7	700	560
	ENH4X24*17**	*9MA*1202422A**	24000	20800	15.7	12.7	700	680
	ENH4X24*17**	*9MV*0401410A**	23800	20000	15	12	675	545
	ENH4X24*17**	*9MV*0601714A**	24000	20200	15.7	12.5	650	560
	ENH4X24*17**	*9MV*0801716A**	24000	20200	16	12.7	660	575
	ENH4X24*17**	*9MV*1202422A**	24000	20400	15.7	12.7	655	615
	ENH4X24*17**	*9MX*0401410A**	24000	19800	15.2	11.7	765	520
	ENH4X24*17**	*9MX*0601714A**	24000	20800	15.5	12.5	865	670
	ENH4X24*17**	MV08B15**B*	24400	20200	16.2	13	700	560
	ENH4X24*17**	OLV098A12A	24800	20000	15.7	12.2	863	531
	ENH4X24*17**	OMV098J12A	24400	20000	16	12.5	724	548
	ENH4X24*17**	OMV112K14A	24200	20400	16	12.7	689	580
	ENH4X24*17**		23800	19800	14	11.7	700	560
	ENH4X30*17**	*8MV*0701412**	24600	20200	16.2	13	700	560
	ENH4X30*17**	*8MV*0901716**	24600	20200	16.2	13	700	560
	ENH4X30*17**	*8MV*1102120**	24600	21000	16.2	13	705	705

COOLING PERFORMANCE

For complete ratings information, use the AHRI website directory search: www.AHRIdirectory.org.
 New ratings may be listed online before Specification Sheets are updated.

Unit Size	Indoor Model	Furnace Model	AHRI STANDARD RATINGS					
			COOLING 95° F (35° C)					
			Capacity		SEER	EER	ID CFM	
			High	Low			HIGH	LOW
CCA724GKA	ENH4X30*17**	*8MV*1352422**	24600	20800	16.2	13.2	700	680
	ENH4X30*17**	*8MX*0451408**	24600	20400	16	13	730	595
	ENH4X30*17**	*9MA*0601714A**	24200	20000	15.7	12.7	700	560
	ENH4X30*17**	*9MA*0801714A**	24400	20200	16	13	700	560
	ENH4X30*17**	*9MA*1202422A**	24200	20800	16	13	700	680
	ENH4X30*17**	*9MV*0401410A**	24200	20000	15.2	12.2	705	570
	ENH4X30*17**	*9MV*0601714A**	24400	20400	16	13	685	615
	ENH4X30*17**	*9MV*0801716A**	24000	20600	16	13	705	640
	ENH4X30*17**	*9MV*1202422A**	24600	21000	16	13	730	695
	ENH4X30*17**	*9MX*0401410A**	24400	19800	15.2	12	790	540
	ENH4X30*17**	*9MX*0601714A**	24600	21000	16	12.5	910	715
	ENH4X30*17**	MV08B15**B*	24600	20200	16.2	13.2	700	560
	ENH4X30*17**	OLV098A12A	25000	19800	16	12.7	863	531
	ENH4X30*17**	OMV098J12A	24600	20000	16	12.7	724	548
	ENH4X30*17**	OMV112K14A	24400	20200	16	13	689	580
	ENH4X30*17**		24000	19600	14	11.7	700	560
	ENH4X31*17**	*8MV*0701412**	25000	20600	16.5	13.2	700	560
	ENH4X31*17**	*8MV*0901716**	25000	20600	16.5	13.5	700	560
	ENH4X31*17**	*8MV*1102120**	25000	21400	16.5	13.2	705	705
	ENH4X31*17**	*8MV*1352422**	25000	21400	16.7	13.5	700	680
	ENH4X31*17**	*9MA*0601714A**	25000	20600	16	13	700	560
	ENH4X31*17**	*9MA*0801714A**	25000	20600	16.2	13	700	560
	ENH4X31*17**	*9MA*1202422A**	25000	21200	16.2	13.2	700	680
	ENH4X31*17**	*9MV*0401410A**	24800	20600	15.5	12.5	710	575
	ENH4X31*17**	*9MV*0601714A**	24400	21000	16	13	695	630
	ENH4X31*17**	*9MV*0801716A**	25000	21200	16.2	13.2	715	650
	ENH4X31*17**	*9MV*1202422A**	25200	21600	16.2	13.2	755	720
	ENH4X31*17**	*9MX*0401410A**	25000	20400	15.5	12.2	800	545
	ENH4X31*17**	*9MX*0601714A**	25800	21600	16.2	13	925	725
	ENH4X31*17**	MV08B15**B*	25000	20600	16.5	13.5	700	560
	ENH4X31*17**	OLV098A12A	25600	20200	16.2	13	863	531
	ENH4X31*17**	OMV098J12A	25000	20400	16.2	13	724	548
	ENH4X31*17**	OMV112K14A	25000	20800	16.5	13.2	689	580
	ENH4X36*17**	*8MV*0701412**	24600	20200	16.2	13	700	560
	ENH4X36*17**	*8MV*0901716**	24600	20200	16.2	13	700	560
	ENH4X36*17**	*8MV*1102120**	24600	21000	16.2	13	705	705
	ENH4X36*17**	*8MV*1352422**	24600	20800	16.2	13.2	700	680
	ENH4X36*17**	*8MX*0451408**	24600	20400	16	13	730	595
	ENH4X36*17**	*9MA*0601714A**	24200	20000	15.7	12.7	700	560
	ENH4X36*17**	*9MA*0801714A**	24400	20200	16	13	700	560
ENH4X36*17**	*9MA*1202422A**	24200	20800	16	13	700	680	
ENH4X36*17**	*9MV*0401410A**	24200	20000	15.2	12.2	705	570	
ENH4X36*17**	*9MV*0601714A**	24400	20400	16	13	685	615	
ENH4X36*17**	*9MV*0801716A**	24000	20600	16	13	705	640	
ENH4X36*17**	*9MV*1202422A**	24600	21000	16	13	730	695	
ENH4X36*17**	*9MX*0401410A**	24400	19800	15.2	12	790	540	
ENH4X36*17**	*9MX*0601714A**	24600	21000	16	12.5	910	715	
ENH4X36*17**	MV08B15**B*	24600	20200	16.2	13.2	700	560	
ENH4X36*17**	OLV098A12A	25000	19800	16	12.7	863	531	
ENH4X36*17**	OMV098J12A	24600	20000	16	12.7	724	548	
ENH4X36*17**	OMV112K14A	24400	20200	16	13	689	580	
ENH4X36*17**		24000	19600	14	11.7	700	560	

ENERGY STAR compliance for combinations with both: SEER 14.50 or higher and EER 12.00 or higher.

† For coils not listed with a matching furnace or blower, coil rating applies with any indoor blower device

COOLING PERFORMANCE									
For complete ratings information, use the AHRI website directory search: www.AHRIdirectory.org .									
New ratings may be listed online before Specification Sheets are updated.									
Unit Size	Indoor Model	Furnace Model	AHRI STANDARD RATINGS						
			COOLING 95° F (35° C)						
			Capacity		SEER	EER	ID CFM		
			High	Low			HIGH	LOW	
CCA736GKA	*FVM4X60****		37200	30200	17.7	13.5	1050	840	
	FCM4X24****		35200	29200	16.5	12.5	1050	840	
	FCM4X36****		35400	29200	16.7	13	1050	840	
	FCM4X48****		36800	29800	17.2	13.5	1050	840	
	FCM4X60****		37200	30200	17.5	13.5	1050	840	
	FVM4X24****		35200	29000	16.2	12.5	1050	840	
	FVM4X36****		35400	29200	16.7	13	1050	840	
	FVM4X48****		36800	29800	17.2	13.5	1050	840	
	EA*4X36*14A*	*8MV*0701412**		35000	29000	16.2	12.2	1050	840
	EA*4X36*14A*			34600	28400	14.5	11.7	1050	840
	EA*4X36*17A*	*8MV*0701412**		35200	29000	16.2	12.5	1050	840
	EA*4X36*17A*	*8MV*0901716**		35200	29000	16.5	12.7	1050	840
	EA*4X36*17A*	*9MA*0601714A**		34600	28600	16	12.2	975	780
	EA*4X36*17A*	*9MA*0801714A**		34800	28600	16	12.5	975	780
	EA*4X36*17A*	*9MV*0601714A**		34800	27800	16	12.2	1035	710
	EA*4X36*17A*	*9MV*0801716A**		35000	28000	16	12.5	1040	730
	EA*4X36*17A*	*9MX*0601714A**		35000	28200	16	12.2	1045	720
	EA*4X36*17A*	*9MX*0801716A**		35000	29400	15.7	12.5	1035	965
	EA*4X36*17A*	MV08B15**B*		35200	29000	16.7	12.7	1050	840
	EA*4X36*17A*	OMV112K14A		35000	29000	16.2	12.5	1034	823
	EA*4X36*17A*			34600	28400	14.5	11.7	1050	840
	EA*4X36*21A*	*8MV*0901716**		35400	29200	16.7	13	1050	840
	EA*4X36*21A*	*8MV*1102120**		35400	29000	16.7	13	1050	840
	EA*4X36*21A*	*8MX*0902116**		35400	29600	16.2	12.7	1085	955
	EA*4X36*21A*	*9MA*0601714A**		34600	28600	16	12.5	975	780
	EA*4X36*21A*	*9MA*0602120A**		34800	28600	16	12.5	975	780
	EA*4X36*21A*	*9MA*0801714A**		34800	28600	16.2	12.5	975	780
	EA*4X36*21A*	*9MA*0802120A**		35000	28600	16.5	12.7	975	780
	EA*4X36*21A*	*9MA*1002122A**		35000	28600	16.5	12.7	975	780
	EA*4X36*21A*	*9MV*0601714A**		35000	28000	16	12.2	1055	725
	EA*4X36*21A*	*9MV*0801716A**		35200	28200	16.2	12.5	1060	755
	EA*4X36*21A*	*9MV*0802120A**		34600	29000	16.5	12.7	930	835
	EA*4X36*21A*	*9MV*1002120A**		34600	28800	16.2	12.7	920	820
	EA*4X36*21A*	*9MX*0601714A**		35200	28400	16	12.2	1065	740
	EA*4X36*21A*	*9MX*0801716A**		35000	29600	15.7	12.5	1050	985
	EA*4X36*21A*	MV12F19**B*		35400	29200	17	13	1050	840
	EA*4X36*21A*	OLV112A16A		35200	29200	16.2	12.5	1083	881
	EA*4X36*21A*	OMV112K14A		35000	29000	16.5	12.5	1034	823
	EA*4X36*21A*			34600	28400	14.5	11.7	1050	840
	EA*4X42*21A*	*8MV*0901716**		35600	29400	17	13	1050	840
	EA*4X42*21A*	*8MV*1102120**		35600	29400	16.7	13	1050	840
	EA*4X42*21A*	*8MX*0902116**		35800	29800	16.5	13	1085	950
	EA*4X42*21A*	*9MA*0601714A**		35000	28800	16	12.5	975	780
	EA*4X42*21A*	*9MA*0602120A**		35000	28800	16.2	12.5	975	780
	EA*4X42*21A*	*9MA*0801714A**		35000	28800	16.2	12.5	975	780
	EA*4X42*21A*	*9MA*0802120A**		35200	28800	16.5	12.7	975	780
	EA*4X42*21A*	*9MA*1002122A**		35200	28800	16.5	13	975	780
	EA*4X42*21A*	*9MV*0601714A**		35200	28000	16	12.2	1055	720

* Tested Combo

COOLING PERFORMANCE

For complete ratings information, use the AHRI website directory search: www.AHRIdirectory.org.
 New ratings may be listed online before Specification Sheets are updated.

Unit Size	Indoor Model	Furnace Model	AHRI STANDARD RATINGS					
			COOLING 95° F (35° C)					
			Capacity		SEER	EER	ID CFM	
			High	Low			HIGH	LOW
CCA736GKA	EA*4X42*21A*	*9MV*0801716A**	35400	28400	16.2	12.5	1055	750
	EA*4X42*21A*	*9MV*0802120A**	34800	29200	16.5	12.7	925	830
	EA*4X42*21A*	*9MV*1002120A**	34800	29000	16.5	12.7	915	815
	EA*4X42*21A*	*9MX*0601714A**	35400	28400	16.2	12.5	1060	735
	EA*4X42*21A*	*9MX*0801716A**	35400	29800	16	12.5	1050	980
	EA*4X42*21A*	MV12F19**B*	35800	29400	17	13	1050	840
	EA*4X42*21A*	OLV112A16A	35600	29400	16.2	12.5	1083	881
	EA*4X42*21A*	OMV112K14A	35400	29200	16.5	12.5	1034	823
	EA*4X42*21A*		35000	28600	14.5	12	1050	840
	EA*4X42*24A*	*8MV*1102120**	35600	29400	17	13	1050	840
	EA*4X42*24A*	*8MV*1352422**	35600	29400	17	13	1050	840
	EA*4X42*24A*	*9MA*0602120A**	35000	28800	16.2	12.5	975	780
	EA*4X42*24A*	*9MA*0802120A**	35200	28800	16.5	12.7	975	780
	EA*4X42*24A*	*9MA*1002122A**	35200	28800	16.5	13	975	780
	EA*4X42*24A*	*9MA*1202422A**	35200	28800	16.5	13	975	780
	EA*4X42*24A*	*9MV*0802120A**	35000	29200	16.5	12.7	935	835
	EA*4X42*24A*	*9MV*1002120A**	34800	29200	16.5	12.7	925	825
	EA*4X42*24A*	*9MV*1202422A**	35400	29400	16.7	13	960	880
	EA*4X42*24A*	MV16J22**B*	35800	29400	17	13.2	1050	840
	EA*4X42*24A*	MV20L24**B*	35800	29400	16.7	13.2	1050	840
	EA*4X42*24A*	OLV112A16A	35600	29400	16.2	12.5	1083	881
	EA*4X42*24A*	OLV154F20A	36200	30200	16.7	12.7	1248	1022
	EA*4X42*24A*		35000	28600	14.5	12	1050	840
	EA*4X48*17A*	*8MV*0701412**	36200	29800	16.7	12.7	1050	840
	EA*4X48*17A*	*8MV*0901716**	36400	29800	17	13	1050	840
	EA*4X48*17A*	*9MA*0601714A**	35800	29400	16.5	12.5	975	780
	EA*4X48*17A*	*9MA*0801714A**	35800	29400	16.5	12.7	975	780
	EA*4X48*17A*	*9MV*0601714A**	36000	28600	16.5	12.5	1040	715
	EA*4X48*17A*	*9MV*0801716A**	36200	28800	16.5	12.7	1045	740
	EA*4X48*17A*	*9MX*0601714A**	36200	29000	16.5	12.5	1050	725
	EA*4X48*17A*	*9MX*0801716A**	36200	30400	16.2	12.7	1040	970
	EA*4X48*17A*	MV08B15**B*	36400	29800	17.2	13	1050	840
	EA*4X48*17A*	OMV112K14A	36200	29800	16.7	12.7	1034	823
	EA*4X48*17A*		35800	29200	15	12	1050	840
	EA*4X48*21A*	*8MV*0901716**	36200	29600	17	13	1050	840
	EA*4X48*21A*	*8MV*1102120**	36200	29600	17	13	1050	840
	EA*4X48*21A*	*9MA*0601714A**	35400	29200	16.2	12.5	975	780
	EA*4X48*21A*	*9MA*0602120A**	35600	29200	16.5	12.7	975	780
	EA*4X48*21A*	*9MA*0801714A**	35600	29200	16.5	12.7	975	780
	EA*4X48*21A*	*9MA*0802120A**	35800	29200	16.7	13	975	780
EA*4X48*21A*	*9MA*1002122A**	35800	29200	16.7	13	975	780	
EA*4X48*21A*	*9MV*0601714A**	35800	28400	16.2	12.5	1050	720	
EA*4X48*21A*	*9MV*0801716A**	36000	28600	16.5	12.5	1050	745	
EA*4X48*21A*	*9MV*0802120A**	35400	29600	16.7	13	920	825	
EA*4X48*21A*	*9MV*1002120A**	35200	29400	16.7	13	910	810	
EA*4X48*21A*	*9MX*0601714A**	35800	28800	16.5	12.5	1055	730	
EA*4X48*21A*	*9MX*0801716A**	35800	30200	16	12.5	1045	975	
EA*4X48*21A*	MV12F19**B*	36200	29800	17.2	13.2	1050	840	
EA*4X48*21A*	OLV112A16A	36000	29800	16.5	12.5	1083	881	

COOLING PERFORMANCE								
For complete ratings information, use the AHRI website directory search: www.AHRIdirectory.org .								
New ratings may be listed online before Specification Sheets are updated.								
Unit Size	Indoor Model	Furnace Model	AHRI STANDARD RATINGS					
			COOLING 95° F (35° C)					
			Capacity		SEER	EER	ID CFM	
			High	Low			HIGH	LOW
CCA736GKA	EA*4X48*21A*	OMV112K14A	35800	29600	16.7	12.7	1034	823
	EA*4X48*21A*		35400	29000	14.5	12	1050	840
	EA*4X48*24A*	*8MV*1102120**	36200	29600	17	13	1050	840
	EA*4X48*24A*	*8MV*1352422**	36200	29800	17.2	13.2	1050	840
	EA*4X48*24A*	*9MA*0602120A**	35600	29200	16.5	12.7	975	780
	EA*4X48*24A*	*9MA*0802120A**	35800	29200	16.7	13	975	780
	EA*4X48*24A*	*9MA*1002122A**	35800	29200	16.7	13	975	780
	EA*4X48*24A*	*9MA*1202422A**	35800	29200	16.7	13	975	780
	EA*4X48*24A*	*9MV*0802120A**	35400	29600	16.7	13	930	835
	EA*4X48*24A*	*9MV*1002120A**	35400	29600	16.7	13	920	825
	EA*4X48*24A*	*9MV*1202422A**	35600	29800	17	13	960	880
	EA*4X48*24A*	MV16J22**B*	36200	29800	17.2	13.2	1050	840
	EA*4X48*24A*	MV20L24**B*	36200	29600	17	13.2	1050	840
	EA*4X48*24A*	OLV112A16A	36200	29800	16.5	12.7	1083	881
	EA*4X48*24A*	OLV154F20A	37000	30600	17	13	1248	1022
	EA*4X48*24A*		35400	29000	14.5	12	1050	840
	EHD4X36A**	*8MV*0701412**	35600	29200	16.7	12.7	975	780
	EHD4X36A**	*8MV*0901716**	36200	29600	17	13	1050	840
	EHD4X36A**	*8MV*1102120**	36200	29600	16.7	13	1050	840
	EHD4X36A**	*8MV*1352422**	36200	29800	17	13	1050	840
	EHD4X36A**	*8MX*0701716**	35800	30000	16	12.5	1045	920
	EHD4X36A**	*8MX*0902116**	36200	30000	16.5	13	1060	925
	EHD4X36A**	*9MA*0601714A**	35400	29200	16.2	12.5	975	780
	EHD4X36A**	*9MA*0602120A**	35600	29200	16.5	12.7	975	780
	EHD4X36A**	*9MA*0801714A**	35600	29200	16.5	12.7	975	780
	EHD4X36A**	*9MA*0802120A**	35600	29200	16.5	13	975	780
	EHD4X36A**	*9MA*1002122A**	35600	29200	16.7	13	975	780
	EHD4X36A**	*9MA*1202422A**	35600	29200	16.5	13	975	780
	EHD4X36A**	*9MV*0601714A**	35800	28200	16.2	12.5	1035	700
	EHD4X36A**	*9MV*0801716A**	35800	28600	16.5	12.5	1040	725
	EHD4X36A**	*9MV*0802120A**	35200	29400	16.5	13	905	800
	EHD4X36A**	*9MV*1002120A**	35000	29200	16.5	13	885	775
	EHD4X36A**	*9MV*1202422A**	35400	29600	16.7	13	920	835
	EHD4X36A**	*9MX*0601714A**	35800	28600	16.2	12.5	1045	710
	EHD4X36A**	*9MX*0801716A**	35800	30200	16	12.5	1035	965
	EHD4X36A**	MV08B15**B*	36200	29600	17	13	1050	840
	EHD4X36A**	MV12F19**B*	36200	29800	17.2	13.2	1050	840
	EHD4X36A**	MV16J22**B*	36200	29800	17	13.2	1050	840
	EHD4X36A**	MV20L24**B*	36200	29600	17	13.2	1050	840
	EHD4X36A**	OLV112A16A	36000	29800	16.5	12.5	1083	881
	EHD4X36A**	OLV154F20A	36800	30600	16.7	12.7	1248	1022
	EHD4X36A**	OMV112K14A	35800	29600	16.5	12.5	1034	823
	EHD4X36A**		35400	29000	14.5	12	1050	840
	EHD4X42A**	*8MV*0701412**	36200	29800	16.7	12.7	1050	840
	EHD4X42A**	*8MV*0901716**	36400	29800	17	13	1050	840
	EHD4X42A**	*8MV*1102120**	36400	29800	17	13	1050	840
	EHD4X42A**	*8MV*1352422**	36400	29800	17.2	13.2	1050	840
	EHD4X42A**	*8MX*0902116**	36400	30200	16.5	13	1070	935
	EHD4X42A**	*9MA*0601714A**	35600	29200	16.2	12.5	975	780
	EHD4X42A**	*9MA*0602120A**	35800	29400	16.5	12.7	975	780
	EHD4X42A**	*9MA*0801714A**	35800	29400	16.5	12.7	975	780
	EHD4X42A**	*9MA*0802120A**	35800	29400	16.7	13	975	780

COOLING PERFORMANCE								
For complete ratings information, use the AHRI website directory search: www.AHRIdirectory.org .								
New ratings may be listed online before Specification Sheets are updated.								
Unit Size	Indoor Model	Furnace Model	AHRI STANDARD RATINGS					
			COOLING 95° F (35° C)					
			Capacity		SEER	EER	ID CFM	
			High	Low			HIGH	LOW
CCA736GKA	EHD4X42A**	*9MA*1002122A**	36000	29400	16.7	13	975	780
	EHD4X42A**	*9MA*1202422A**	35800	29400	16.7	13	975	780
	EHD4X42A**	*9MV*0601714A**	36000	28400	16.2	12.5	1045	710
	EHD4X42A**	*9MV*0801716A**	36200	28600	16.5	12.7	1050	730
	EHD4X42A**	*9MV*0802120A**	35600	29600	16.7	13	915	810
	EHD4X42A**	*9MV*1002120A**	35400	29400	16.7	13	900	790
	EHD4X42A**	*9MV*1202422A**	35800	29800	17	13	935	850
	EHD4X42A**	*9MX*0601714A**	36000	28800	16.5	12.5	1055	720
	EHD4X42A**	*9MX*0801716A**	36000	30400	16.2	12.7	1040	975
	EHD4X42A**	MV08B15**B*	36400	29800	17.2	13	1050	840
	EHD4X42A**	MV12F19**B*	36400	30000	17.2	13.2	1050	840
	EHD4X42A**	MV16J22**B*	36400	29800	17.2	13.2	1050	840
	EHD4X42A**	MV20L24**B*	36400	29800	17	13.2	1050	840
	EHD4X42A**	OLV112A16A	36200	30000	16.5	12.7	1083	881
	EHD4X42A**	OLV154F20A	37200	30800	17	13	1248	1022
	EHD4X42A**	OMV112K14A	36000	29600	16.7	12.7	1034	823
	EHD4X42A**		35600	29200	14.5	12	1050	840
	EHD4X48A**	*8MV*0701412**	36400	30000	17	13	1050	840
	EHD4X48A**	*8MV*0901716**	36400	30000	17	13.2	1050	840
	EHD4X48A**	*8MV*1102120**	36400	30000	17	13.2	1050	840
	EHD4X48A**	*8MV*1352422**	36600	30000	17.2	13.2	1050	840
	EHD4X48A**	*8MX*0902116**	36600	30400	16.7	13	1070	940
	EHD4X48A**	*9MA*0601714A**	35800	29400	16.5	12.5	975	780
	EHD4X48A**	*9MA*0602120A**	36000	29400	16.5	12.7	975	780
	EHD4X48A**	*9MA*0801714A**	36000	29400	16.5	12.7	975	780
	EHD4X48A**	*9MA*0802120A**	36000	29400	16.7	13	975	780
	EHD4X48A**	*9MA*1002122A**	36000	29400	17	13	975	780
	EHD4X48A**	*9MA*1202422A**	36000	29400	17	13	975	780
	EHD4X48A**	*9MV*0601714A**	36200	28600	16.5	12.5	1045	715
	EHD4X48A**	*9MV*0801716A**	36200	28800	16.5	12.7	1050	740
	EHD4X48A**	*9MV*0802120A**	35600	29800	16.7	13	915	815
	EHD4X48A**	*9MV*1002120A**	35600	29600	16.7	13	900	800
	EHD4X48A**	*9MV*1202422A**	35800	30000	17	13	935	855
	EHD4X48A**	*9MX*0601714A**	36200	29000	16.5	12.5	1055	730
	EHD4X48A**	*9MX*0801716A**	36200	30400	16.2	12.7	1040	975
	EHD4X48A**	MV08B15**B*	36400	30000	17.2	13.2	1050	840
	EHD4X48A**	MV12F19**B*	36600	30000	17.2	13.2	1050	840
	EHD4X48A**	MV16J22**B*	36600	30000	17.2	13.2	1050	840
	EHD4X48A**	MV20L24**B*	36600	30000	17.2	13.2	1050	840
	EHD4X48A**	OLV112A16A	36400	30000	16.5	12.7	1083	881
	EHD4X48A**	OLV154F20A	37200	30800	17	13	1248	1022
	EHD4X48A**	OMV112K14A	36200	29800	17	12.7	1034	823
EHD4X48A**		35800	29400	15	12	1050	840	
EN(A,D)4X36*21**	*8MV*0901716**	35200	29000	16.5	12.7	1050	840	
EN(A,D)4X36*21**	*8MV*1102120**	35200	29000	16.5	12.5	1050	840	
EN(A,D)4X36*21**	*8MX*0902116**	35200	29200	16	12.5	1045	910	
EN(A,D)4X36*21**	*9MA*0601714A**	34600	28400	16	12.2	975	780	
EN(A,D)4X36*21**	*9MA*0602120A**	34600	28400	16	12.5	975	780	
EN(A,D)4X36*21**	*9MA*0801714A**	34600	28600	16	12.2	975	780	

COOLING PERFORMANCE								
For complete ratings information, use the AHRI website directory search: www.AHRIdirectory.org .								
New ratings may be listed online before Specification Sheets are updated.								
Unit Size	Indoor Model	Furnace Model	AHRI STANDARD RATINGS					
			COOLING 95° F (35° C)					
			Capacity		SEER	EER	ID CFM	
High	Low	HIGH	LOW					
CCA736GKA	EN(A,D)4X36*21**	*9MA*0802120A**	34800	28600	16.2	12.5	975	780
	EN(A,D)4X36*21**	*9MA*1002122A**	34800	28600	16.2	12.5	975	780
	EN(A,D)4X36*21**	*9MV*0601714A**	34800	27600	15.7	12	1025	700
	EN(A,D)4X36*21**	*9MV*0801716A**	35000	27800	16	12.2	1030	720
	EN(A,D)4X36*21**	*9MV*0802120A**	34400	28600	16.2	12.5	895	795
	EN(A,D)4X36*21**	*9MV*1002120A**	34200	28400	16.2	12.5	875	765
	EN(A,D)4X36*21**	*9MX*0601714A**	34800	28000	16	12.2	1035	710
	EN(A,D)4X36*21**	*9MX*0801716A**	34800	29400	15.7	12.2	1025	955
	EN(A,D)4X36*21**	MV12F19**B*	35400	29000	16.7	12.7	1050	840
	EN(A,D)4X36*21**	OLV112A16A	35000	29000	16	12.2	1083	881
	EN(A,D)4X36*21**	OMV112K14A	35000	28800	16.2	12.5	1034	823
	EN(A,D)4X36*21**		34600	28400	14.5	11.7	1050	840
	EN(A,D)4X37*17**	*8MV*0701412**	36600	30000	17	13	1050	840
	EN(A,D)4X37*17**	*8MV*0901716**	36600	30000	17.2	13.2	1050	840
	EN(A,D)4X37*17**	*9MA*0601714A**	36000	29600	16.5	12.5	975	780
	EN(A,D)4X37*17**	*9MA*0801714A**	36000	29600	16.7	12.7	975	780
	EN(A,D)4X37*17**	*9MV*0601714A**	36200	28800	16.5	12.5	1040	715
	EN(A,D)4X37*17**	*9MV*0801716A**	35800	29000	16.7	12.7	1045	740
	EN(A,D)4X37*17**	*9MX*0601714A**	36400	29200	16.5	12.5	1050	730
	EN(A,D)4X37*17**	*9MX*0801716A**	36400	30600	16.5	12.7	1040	970
	EN(A,D)4X37*17**	MV08B15**B*	36600	30000	17.2	13.2	1050	840
	EN(A,D)4X37*17**	OMV112K14A	36400	30000	17	13	1034	823
	EN(A,D)4X37*17**		36000	29400	15	12	1050	840
	EN(A,D)4X43*24**	*8MV*1102120**	36800	30200	17.5	13.2	1050	840
	EN(A,D)4X43*24**	*8MV*1352422**	36800	30200	17.5	13.5	1050	840
	EN(A,D)4X43*24**	*9MA*0602120A**	36200	29600	16.7	13	975	780
	EN(A,D)4X43*24**	*9MA*0802120A**	36200	29600	17	13.2	975	780
	EN(A,D)4X43*24**	*9MA*1002122A**	36200	29600	17	13.2	975	780
	EN(A,D)4X43*24**	*9MA*1202422A**	36200	29600	17	13.2	975	780
	EN(A,D)4X43*24**	*9MV*0802120A**	36200	30200	17	13.2	950	865
	EN(A,D)4X43*24**	*9MV*1002120A**	36000	30200	17	13.2	945	865
	EN(A,D)4X43*24**	*9MV*1202422A**	36000	30400	17.2	13.2	980	910
	EN(A,D)4X43*24**	MV16J22**B*	36800	30200	17.5	13.5	1050	840
	EN(A,D)4X43*24**	MV20L24**B*	36800	30200	17.5	13.5	1050	840
	EN(A,D)4X43*24**	OLV112A16A	36800	30200	17	13	1083	881
	EN(A,D)4X43*24**	OLV154F20A	37600	31200	17.2	13.2	1248	1022
	EN(A,D)4X48*24**	*8MV*1102120**	36200	29800	17	13.2	1050	840
	EN(A,D)4X48*24**	*8MV*1352422**	36400	29800	17.2	13.2	1050	840
	EN(A,D)4X48*24**	*9MA*0602120A**	35600	29200	16.5	12.7	975	780
	EN(A,D)4X48*24**	*9MA*0802120A**	35800	29400	16.7	13	975	780
	EN(A,D)4X48*24**	*9MA*1002122A**	35800	29400	17	13	975	780
	EN(A,D)4X48*24**	*9MA*1202422A**	35800	29200	16.7	13	975	780
	EN(A,D)4X48*24**	*9MV*0802120A**	35600	29800	16.7	13	935	840
	EN(A,D)4X48*24**	*9MV*1002120A**	35400	29600	16.7	13	925	830
	EN(A,D)4X48*24**	*9MV*1202422A**	35800	30200	17	13	1120	910
	EN(A,D)4X48*24**	MV16J22**B*	36400	29800	17.2	13.2	1050	840
	EN(A,D)4X48*24**	MV20L24**B*	36400	29800	17.2	13.2	1050	840
	EN(A,D)4X48*24**	OLV112A16A	36200	30000	16.5	12.7	1083	881
	EN(A,D)4X48*24**	OLV154F20A	37000	30600	17	13	1248	1022
	EN(A,D)4X48*24**		35600	29200	14.5	12	1050	840

COOLING PERFORMANCE

For complete ratings information, use the AHRI website directory search: www.AHRIdirectory.org.
New ratings may be listed online before Specification Sheets are updated.

Unit Size	Indoor Model	Furnace Model	AHRI STANDARD RATINGS					
			COOLING 95° F (35° C)					
			Capacity		SEER	EER	ID CFM	
			High	Low			HIGH	LOW
CCA736GKA	EN(A,D,W)4X36*17**	*8MV*0701412**	35000	29000	16.2	12.5	1050	840
	EN(A,D,W)4X36*17**	*8MV*0901716**	35200	29000	16.5	12.5	1050	840
	EN(A,D,W)4X36*17**	*9MA*0601714A**	34600	28400	16	12.2	975	780
	EN(A,D,W)4X36*17**	*9MA*0801714A**	34600	28600	16	12.2	975	780
	EN(A,D,W)4X36*17**	*9MV*0601714A**	34800	27600	15.7	12	1020	700
	EN(A,D,W)4X36*17**	*9MV*0801716A**	35000	27800	16	12.2	1025	720
	EN(A,D,W)4X36*17**	*9MX*0601714A**	34800	28000	16	12.2	1030	710
	EN(A,D,W)4X36*17**	*9MX*0801716A**	34800	29400	15.7	12.2	1020	950
	EN(A,D,W)4X36*17**	MV08B15**B*	35200	29000	16.5	12.7	1050	840
	EN(A,D,W)4X36*17**	OMV112K14A	35000	28800	16	12.2	1034	823
	EN(A,D,W)4X36*17**		34600	28400	14.5	11.7	1050	840
	EN(A,D,W)4X42*21**	*8MV*0901716**	35600	29400	16.7	13	1050	840
	EN(A,D,W)4X42*21**	*8MV*1102120**	35600	29400	16.5	13	1050	840
	EN(A,D,W)4X42*21**	*9MA*0601714A**	35000	28800	16	12.5	975	780
	EN(A,D,W)4X42*21**	*9MA*0602120A**	35000	28800	16.2	12.5	975	780
	EN(A,D,W)4X42*21**	*9MA*0801714A**	35000	28800	16.2	12.5	975	780
	EN(A,D,W)4X42*21**	*9MA*0802120A**	35200	28800	16.5	12.7	975	780
	EN(A,D,W)4X42*21**	*9MA*1002122A**	35200	28800	16.5	12.7	975	780
	EN(A,D,W)4X42*21**	*9MV*0601714A**	35200	28000	16	12.2	1035	705
	EN(A,D,W)4X42*21**	*9MV*0801716A**	35400	28200	16.2	12.5	1040	725
	EN(A,D,W)4X42*21**	*9MV*0802120A**	34800	29000	16.5	12.7	900	800
	EN(A,D,W)4X42*21**	*9MV*1002120A**	34600	28800	16.5	12.7	885	775
	EN(A,D,W)4X42*21**	*9MX*0601714A**	35400	28400	16	12.2	1045	715
	EN(A,D,W)4X42*21**	*9MX*0801716A**	35400	29800	16	12.5	1030	965
	EN(A,D,W)4X42*21**	MV12F19**B*	35800	29400	17	13	1050	840
	EN(A,D,W)4X42*21**	OLV112A16A	35600	29400	16.2	12.5	1083	881
	EN(A,D,W)4X42*21**	OMV112K14A	35400	29200	16.5	12.5	1034	823
	EN(A,D,W)4X42*21**		35000	28600	14.5	12	1050	840
	EN(A,D,W)4X48*21**	*8MV*0901716**	36200	29800	17	13	1050	840
	EN(A,D,W)4X48*21**	*8MV*1102120**	36200	29800	17	13.2	1050	840
	EN(A,D,W)4X48*21**	*8MX*0902116**	36400	30400	16.7	13	1090	960
	EN(A,D,W)4X48*21**	*9MA*0601714A**	35600	29200	16.5	12.5	975	780
	EN(A,D,W)4X48*21**	*9MA*0602120A**	35600	29200	16.5	12.7	975	780
	EN(A,D,W)4X48*21**	*9MA*0801714A**	35600	29200	16.5	12.7	975	780
	EN(A,D,W)4X48*21**	*9MA*0802120A**	35800	29200	16.5	13	975	780
	EN(A,D,W)4X48*21**	*9MA*1002122A**	35800	29200	16.7	13	975	780
	EN(A,D,W)4X48*21**	*9MV*0601714A**	36000	28600	16.5	12.5	1060	730
	EN(A,D,W)4X48*21**	*9MV*0801716A**	36000	28800	16.5	12.7	1065	760
	EN(A,D,W)4X48*21**	*9MV*0802120A**	35600	29800	16.7	13	935	840
	EN(A,D,W)4X48*21**	*9MV*1002120A**	35400	29600	16.7	13	925	830
EN(A,D,W)4X48*21**	*9MX*0601714A**	36000	29000	16.5	12.5	1070	740	
EN(A,D,W)4X48*21**	*9MX*0801716A**	36000	30400	16.2	12.7	1055	990	
EN(A,D,W)4X48*21**	MV12F19**B*	36400	29800	17.2	13.2	1050	840	
EN(A,D,W)4X48*21**	OLV112A16A	36200	30000	16.5	12.7	1083	881	
EN(A,D,W)4X48*21**	OMV112K14A	36000	29600	17	13	1034	823	
EN(A,D,W)4X48*21**		35600	29200	14.5	12	1050	840	
END4X42*17**	*8MV*0701412**	35400	29200	16.5	12.7	975	780	
END4X42*17**	*8MV*0901716**	36000	29600	16.7	13	1050	840	
END4X42*17**	*9MA*0601714A**	35200	29000	16	12.5	975	780	
END4X42*17**	*9MA*0801714A**	35400	29000	16.2	12.5	975	780	
END4X42*17**	*9MV*0601714A**	35600	28200	16.2	12.2	1035	705	
END4X42*17**	*9MV*0801716A**	35600	28400	16.5	12.5	1035	730	
END4X42*17**	*9MX*0601714A**	35600	28600	16.2	12.5	1040	715	
END4X42*17**	*9MX*0801716A**	35600	30000	16	12.5	1030	965	

COOLING PERFORMANCE								
For complete ratings information, use the AHRI website directory search: www.AHRIdirectory.org .								
New ratings may be listed online before Specification Sheets are updated.								
Unit Size	Indoor Model	Furnace Model	AHRI STANDARD RATINGS					
			COOLING 95° F (35° C)					
			Capacity		SEER	EER	ID CFM	
			High	Low			HIGH	LOW
CCA736GKA	END4X42*17**	MV08B15**B*	36000	29600	17	13	1050	840
	END4X42*17**	OMV112K14A	35600	29400	16.5	12.5	1034	823
	END4X42*17**		35400	29000	14.5	12	1050	840
	ENH4X36*17**	*8MV*0701412**	35000	29000	16.2	12.5	1050	840
	ENH4X36*17**	*8MV*0901716**	35200	29000	16.5	12.5	1050	840
	ENH4X36*17**	*8MV*1102120**	35200	29000	16.5	12.5	1050	840
	ENH4X36*17**	*8MV*1352422**	35200	29000	16.5	12.7	1050	840
	ENH4X36*17**	*8MX*0902116**	35200	29200	16	12.5	1035	905
	ENH4X36*17**	*9MA*0601714A**	34600	28400	16	12.2	975	780
	ENH4X36*17**	*9MA*0801714A**	34600	28600	16	12.2	975	780
	ENH4X36*17**	*9MA*1202422A**	34800	28600	16	12.5	975	780
	ENH4X36*17**	*9MV*0601714A**	34800	27600	15.7	12	1020	700
	ENH4X36*17**	*9MV*0801716A**	35000	27800	16	12.2	1025	720
	ENH4X36*17**	*9MV*1202422A**	34600	28800	16.2	12.5	905	815
	ENH4X36*17**	*9MX*0601714A**	34800	28000	16	12.2	1030	710
	ENH4X36*17**	*9MX*0801716A**	34800	29400	15.7	12.5	1020	950
	ENH4X36*17**	MV08B15**B*	35200	29000	16.5	12.7	1050	840
	ENH4X36*17**	OLV112A16A	35000	29000	16	12.2	1083	881
	ENH4X36*17**	OLV154F20A	35800	29800	16.2	12.5	1248	1022
	ENH4X36*17**	OMV112K14A	35000	28800	16	12.5	1034	823
	ENH4X36*17**		34600	28400	14.5	11.7	1050	840
	ENH4X42*21**	*8MV*0701412**	35400	29200	16.5	12.5	1050	840
	ENH4X42*21**	*8MV*0901716**	35600	29400	16.7	13	1050	840
	ENH4X42*21**	*8MV*1102120**	35600	29400	16.5	12.7	1050	840
	ENH4X42*21**	*8MV*1352422**	35600	29400	17	13	1050	840
	ENH4X42*21**	*8MX*0902116**	35600	29600	16.2	12.7	1055	925
	ENH4X42*21**	*9MA*0601714A**	35000	28800	16	12.5	975	780
	ENH4X42*21**	*9MA*0602120A**	35000	28800	16.2	12.5	975	780
	ENH4X42*21**	*9MA*0801714A**	35000	28800	16.2	12.5	975	780
	ENH4X42*21**	*9MA*0802120A**	35200	28800	16.5	12.7	975	780
	ENH4X42*21**	*9MA*1002122A**	35200	28800	16.5	12.7	975	780
	ENH4X42*21**	*9MA*1202422A**	35200	28800	16.5	12.7	975	780
	ENH4X42*21**	*9MV*0601714A**	35200	28000	16	12.2	1035	705
	ENH4X42*21**	*9MV*0801716A**	35400	28200	16.2	12.5	1040	725
	ENH4X42*21**	*9MV*0802120A**	34800	29000	16.5	12.7	900	800
	ENH4X42*21**	*9MV*1002120A**	34600	28800	16.5	12.7	885	775
	ENH4X42*21**	*9MV*1202422A**	35200	29200	16.5	12.7	920	835
	ENH4X42*21**	*9MX*0601714A**	35400	28400	16	12.5	1045	715
	ENH4X42*21**	*9MX*0801716A**	35400	29800	16	12.5	1030	965
	ENH4X42*21**	MV12F19**B*	35800	29400	17	13	1050	840
	ENH4X42*21**	OLV112A16A	35600	29400	16.2	12.5	1083	881
	ENH4X42*21**	OLV154F20A	36400	30200	16.5	12.7	1248	1022
	ENH4X42*21**	OMV112K14A	35400	29200	16.5	12.5	1034	823
	ENH4X42*21**		35000	28600	14.5	11.7	1050	840
	ENH4X43*21**	*8MV*0701412**	36600	30000	17	13	1050	840
	ENH4X43*21**	*8MV*0901716**	36800	30200	17.2	13.2	1050	840
	ENH4X43*21**	*8MV*1102120**	36800	30200	17.2	13.2	1050	840
	ENH4X43*21**	*8MV*1352422**	36800	30200	17.5	13.5	1050	840
ENH4X43*21**	*9MA*0601714A**	36000	29600	16.5	12.7	975	780	
ENH4X43*21**	*9MA*0602120A**	36200	29600	16.7	13	975	780	
ENH4X43*21**	*9MA*0801714A**	36200	29600	16.7	13	975	780	
ENH4X43*21**	*9MA*0802120A**	36200	29600	17	13.2	975	780	
ENH4X43*21**	*9MA*1002122A**	36200	29600	17	13.2	975	780	
ENH4X43*21**	*9MA*1202422A**	36200	29600	17	13	975	780	

COOLING PERFORMANCE								
For complete ratings information, use the AHRI website directory search: www.AHRIdirectory.org . New ratings may be listed online before Specification Sheets are updated.								
Unit Size	Indoor Model	Furnace Model	AHRI STANDARD RATINGS					
			COOLING 95° F (35° C)					
			Capacity		SEER	EER	ID CFM	
			High	Low			HIGH	LOW
CCA736GKA	ENH4X43*21**	*9MV*0601714A**	36400	28800	16.5	12.5	1055	725
	ENH4X43*21**	*9MV*0801716A**	36600	29200	16.7	12.7	1060	755
	ENH4X43*21**	*9MV*0802120A**	36000	30000	17	13.2	930	835
	ENH4X43*21**	*9MV*1002120A**	35800	30000	17	13.2	920	825
	ENH4X43*21**	*9MV*1202422A**	35800	30200	17	13	955	875
	ENH4X43*21**	*9MX*0601714A**	36400	29200	16.7	12.7	1065	740
	ENH4X43*21**	*9MX*0801716A**	36400	30600	16.5	12.7	1050	985
	ENH4X43*21**	MV12F19**B*	36800	30200	17.5	13.5	1050	840
	ENH4X43*21**	OLV112A16A	36600	30200	16.7	13	1083	881
	ENH4X43*21**	OLV154F20A	37600	31000	17.2	13	1248	1022
	ENH4X43*21**	OMV112K14A	36400	30000	17	13	1034	823
	ENH4X48*21**	*8MV*0701412**	36000	29800	16.7	13	1050	840
	ENH4X48*21**	*8MV*0901716**	36200	29800	17	13	1050	840
	ENH4X48*21**	*8MV*1102120**	36200	29800	17	13.2	1050	840
	ENH4X48*21**	*8MV*1352422**	36400	29800	17.2	13.2	1050	840
	ENH4X48*21**	*9MA*0601714A**	35600	29200	16.5	12.5	975	780
	ENH4X48*21**	*9MA*0602120A**	35600	29200	16.5	12.7	975	780
	ENH4X48*21**	*9MA*0801714A**	35600	29200	16.5	12.7	975	780
	ENH4X48*21**	*9MA*0802120A**	35800	29400	16.7	13	975	780
	ENH4X48*21**	*9MA*1002122A**	35800	29400	17	13	975	780
	ENH4X48*21**	*9MA*1202422A**	35800	29200	16.7	13	975	780
	ENH4X48*21**	*9MV*0601714A**	36000	28600	16.5	12.5	1060	730
	ENH4X48*21**	*9MV*0801716A**	36000	28800	16.5	12.7	1065	760
	ENH4X48*21**	*9MV*0802120A**	35600	29800	16.7	13	935	840
	ENH4X48*21**	*9MV*1002120A**	35400	29600	16.7	13	925	830
	ENH4X48*21**	*9MV*1202422A**	35600	30000	17	13	960	885
	ENH4X48*21**	*9MX*0601714A**	36000	29000	16.5	12.5	1070	740
	ENH4X48*21**	*9MX*0801716A**	36000	30400	16.2	12.7	1055	990
	ENH4X48*21**	MV12F19**B*	36400	29800	17.2	13.2	1050	840
	ENH4X48*21**	OLV112A16A	36200	30000	16.5	12.7	1083	881
	ENH4X48*21**	OLV154F20A	37000	30600	17	13	1248	1022
	ENH4X48*21**	OMV112K14A	36000	29600	17	13	1034	823
ENH4X48*21**		35600	29200	14.5	12	1050	840	

ENERGY STAR compliance for combinations with both: SEER 14.50 or higher and EER 12.00 or higher.
† For coils not listed with a matching furnace or blower, coil rating applies with any indoor blower device

COOLING PERFORMANCE								
For complete ratings information, use the AHRI website directory search: www.AHRIdirectory.org .								
New ratings may be listed online before Specification Sheets are updated.								
Unit Size	Indoor Model	Furnace Model	AHRI STANDARD RATINGS					
			COOLING 95° F (35° C)					
			Capacity		SEER	EER	ID CFM	
			High	Low			HIGH	LOW
CCA748GKA	*EN(A,D)4X61*24**	*8MV*1352422**	49000	40500	17	13.2	1400	1120
	FCM4X48****		48500	40000	16.7	13	1400	1120
	FCM4X60****		49000	40500	17.2	13.2	1400	1120
	FVM4X48****		48500	40000	16.7	13	1400	1120
	FVM4X60****		49000	40500	17.2	13.2	1400	1120
	EA*4X48*17A*	*8MV*0901716**	47500	39500	16.2	12.5	1400	1120
	EA*4X48*17A*	*9MV*0801716A**	47000	39000	15.7	12	1365	1055
	EA*4X48*17A*	*9MX*0801716A**	47000	39000	15.5	12	1350	1045
	EA*4X48*17A*		47500	39000	14.7	12	1400	1120
	EA*4X48*21A*	*8MV*0901716**	47000	39000	16	12.5	1400	1120
	EA*4X48*21A*	*8MV*1102120**	47000	39000	16.2	12.5	1400	1120
	EA*4X48*21A*	*8MX*1102120**	47000	39000	16.2	12.5	1350	1110
	EA*4X48*21A*	*9MA*0602120A**	46500	38500	15.5	12	1300	1040
	EA*4X48*21A*	*9MA*0802120A**	46500	38500	16	12.5	1300	1040
	EA*4X48*21A*	*9MA*1002122A**	47000	38500	16.2	12.5	1300	1040
	EA*4X48*21A*	*9MV*0801716A**	46500	38500	15.5	12	1380	1065
	EA*4X48*21A*	*9MX*0801716A**	46500	38500	15.5	12	1365	1055
	EA*4X48*21A*	*9MX*0802120A**	47000	39500	15.7	12.5	1385	1240
	EA*4X48*21A*	*9MX*1002120A**	47000	39500	16	12.5	1360	1180
	EA*4X48*21A*	OLV112A16A	47000	39000	15.2	11.7	1449	1169
	EA*4X48*21A*		47500	38500	14.5	12	1600	1120
	EA*4X48*24A*	*8MV*1102120**	47500	39000	16.2	12.5	1400	1120
	EA*4X48*24A*	*8MV*1352422**	47500	39500	16.5	12.7	1400	1120
	EA*4X48*24A*	*8MV*0902116**	47500	39000	16.2	12.5	1415	1100
	EA*4X48*24A*	*8MX*1102120**	47500	39500	16.2	12.7	1375	1130
	EA*4X48*24A*	*9MA*0602120A**	46500	38500	15.7	12.2	1300	1040
	EA*4X48*24A*	*9MA*0802120A**	46500	38500	16	12.5	1300	1040
	EA*4X48*24A*	*9MA*1002122A**	47000	38500	16.2	12.5	1300	1040
	EA*4X48*24A*	*9MA*1202422A**	47000	38500	16	12.5	1300	1040
	EA*4X48*24A*	*9MV*1202422A**	46500	39000	16	12.5	1270	1115
	EA*4X48*24A*	*9MX*0802120A**	47000	39500	15.7	12.5	1405	1255
	EA*4X48*24A*	*9MX*1002120A**	47000	39500	16	12.5	1380	1200
	EA*4X48*24A*	*9MX*1202422A**	47000	40000	15.7	12.5	1410	1285
	EA*4X48*24A*	MV16J22**B*	47500	39500	16.7	13	1400	1120
	EA*4X48*24A*	MV20L24**B*	47500	39500	16.7	13	1400	1120
	EA*4X48*24A*	OLV112A16A	47000	39000	15.5	12	1449	1169
	EA*4X48*24A*	OLV154F20A	47500	39500	16.2	12.5	1447	1171
	EA*4X48*24A*		47000	38500	14.5	12	1400	1120
	EA*4X60*21A*	*8MV*0901716**	48000	39500	16.2	12.5	1400	1120
	EA*4X60*21A*	*8MV*1102120**	48500	39500	16.5	12.7	1400	1120
	EA*4X60*21A*	*8MX*0902116**	48500	39500	16.5	12.7	1410	1100
	EA*4X60*21A*	*8MX*1102120**	48500	39500	16.5	13	1370	1125
	EA*4X60*21A*	*9MA*0602120A**	47500	39000	16	12.5	1300	1040
	EA*4X60*21A*	*9MA*0802120A**	48000	39000	16.2	12.7	1300	1040
	EA*4X60*21A*	*9MA*1002122A**	48000	39000	16.5	13	1300	1040
	EA*4X60*21A*	*9MV*0801716A**	47500	38500	16	12.5	1280	980
	EA*4X60*21A*	*9MX*0801716A**	47500	39000	15.7	12	1375	1065
	EA*4X60*21A*	*9MX*0802120A**	48000	40000	16	12.5	1400	1255
	EA*4X60*21A*	*9MX*1002120A**	48000	40000	16.2	12.7	1375	1195
	EA*4X60*21A*	OLV112A16A	48000	39500	15.5	12	1449	1169
	EA*4X60*21A*		48000	39000	14.7	12	1400	1120
	EA*4X60*24A*	*8MV*1102120**	48500	39500	16.5	12.7	1400	1120
	EA*4X60*24A*	*8MV*1352422**	48500	39500	16.7	13	1400	1120

* Tested Combo

COOLING PERFORMANCE

For complete ratings information, use the AHRI website directory search: www.AHRIdirectory.org.
 New ratings may be listed online before Specification Sheets are updated.

Unit Size	Indoor Model	Furnace Model	AHRI STANDARD RATINGS					
			COOLING 95° F (35° C)					
			Capacity		SEER	EER	ID CFM	
			High	Low			HIGH	LOW
CCA748GKA	EA*4X60*24A*	*8MX*1102120**	48500	39500	16.5	13	1380	1130
	EA*4X60*24A*	*8MX*1352420**	48500	40000	16.2	12.7	1400	1235
	EA*4X60*24A*	*9MA*0602120A**	47500	39000	16	12.5	1300	1040
	EA*4X60*24A*	*9MA*0802120A**	48000	39000	16.2	12.7	1300	1040
	EA*4X60*24A*	*9MA*1002122A**	48000	39000	16.5	13	1300	1040
	EA*4X60*24A*	*9MA*1202422A**	48000	39000	16.2	12.7	1300	1040
	EA*4X60*24A*	*9MV*1202422A**	47500	39500	16.2	13	1270	1115
	EA*4X60*24A*	*9MX*0802120A**	48500	40500	16	12.5	1410	1260
	EA*4X60*24A*	*9MX*1002120A**	48000	40000	16.2	12.7	1385	1200
	EA*4X60*24A*	*9MX*1202422A**	48500	40500	16	12.7	1415	1290
	EA*4X60*24A*	MV16J22**B*	48500	40000	16.7	13.2	1400	1120
	EA*4X60*24A*	MV20L24**B*	48500	40000	16.7	13.2	1400	1120
	EA*4X60*24A*	OLV112A16A	48000	39500	15.7	12	1449	1169
	EA*4X60*24A*	OLV154F20A	48500	40000	16.5	12.7	1447	1171
	EHD4X48A**	*8MV*0901716**	47500	39500	16.2	12.5	1400	1120
	EHD4X48A**	*8MV*1102120**	48000	39500	16.2	12.5	1400	1120
	EHD4X48A**	*8MV*1352422**	48000	39500	16.5	12.7	1400	1120
	EHD4X48A**	*8MX*0902116**	47500	39500	16.2	12.5	1390	1080
	EHD4X48A**	*8MX*1102120**	47500	39500	16.5	12.7	1340	1105
	EHD4X48A**	*8MX*1352420**	47500	40000	16	12.5	1360	1200
	EHD4X48A**	*9MA*0602120A**	47000	39000	15.7	12.2	1300	1040
	EHD4X48A**	*9MA*0802120A**	47500	39000	16.2	12.5	1300	1040
	EHD4X48A**	*9MA*1002122A**	47500	39000	16.2	12.7	1300	1040
	EHD4X48A**	*9MA*1202422A**	47500	39000	16.2	12.5	1300	1040
	EHD4X48A**	*9MV*0801716A**	47500	39000	15.7	12	1375	1060
	EHD4X48A**	*9MV*1202422A**	47000	39500	16.2	12.7	1240	1090
	EHD4X48A**	*9MX*0801716A**	47000	39000	15.7	12	1360	1050
	EHD4X48A**	*9MX*0802120A**	47500	40000	16	12.5	1380	1235
	EHD4X48A**	*9MX*1002120A**	47500	40000	16	12.5	1350	1175
	EHD4X48A**	*9MX*1202422A**	47500	40000	15.7	12.5	1375	1255
	EHD4X48A**	MV16J22**B*	48000	40000	16.7	13	1400	1120
	EHD4X48A**	MV20L24**B*	48000	40000	16.7	13	1400	1120
	EHD4X48A**	OLV112A16A	47500	39500	15.5	12	1449	1169
	EHD4X48A**	OLV154F20A	48000	40000	16.2	12.5	1447	1171
EHD4X48A**		47500	39000	14.7	12	1400	1120	
EHD4X60A**	*8MV*0901716**	48500	40000	16.5	12.7	1400	1120	
EHD4X60A**	*8MV*1102120**	48500	40000	16.7	13	1400	1120	
EHD4X60A**	*8MV*1352422**	49000	40000	17	13	1400	1120	
EHD4X60A**	*8MX*0902116**	48500	40000	16.5	12.7	1430	1110	
EHD4X60A**	*8MX*1102120**	48500	40000	16.7	13	1395	1135	
EHD4X60A**	*8MX*1352420**	48500	41000	16.5	13	1420	1250	
EHD4X60A**	*9MA*0602120A**	48000	39500	16	12.5	1300	1040	
EHD4X60A**	*9MA*0802120A**	48000	39500	16.5	13	1300	1040	
EHD4X60A**	*9MA*1002122A**	48000	39500	16.5	13	1300	1040	
EHD4X60A**	*9MA*1202422A**	48000	39500	16.5	13	1300	1040	
EHD4X60A**	*9MV*0801716A**	47500	39000	16	12.5	1290	980	
EHD4X60A**	*9MV*1202422A**	48000	40000	16.5	13	1280	1120	
EHD4X60A**	*9MX*0801716A**	48000	39500	16	12.2	1390	1070	
EHD4X60A**	*9MX*0802120A**	48500	40500	16.2	12.7	1420	1265	
EHD4X60A**	*9MX*1002120A**	48500	40500	16.5	12.7	1400	1210	
EHD4X60A**	*9MX*1202422A**	48500	41000	16.2	12.7	1430	1300	

COOLING PERFORMANCE									
For complete ratings information, use the AHRI website directory search: www.AHRIdirectory.org .									
New ratings may be listed online before Specification Sheets are updated.									
Unit Size	Indoor Model	Furnace Model	AHRI STANDARD RATINGS						
			COOLING 95° F (35° C)						
			Capacity		SEER	EER	ID CFM		
			High	Low			HIGH	LOW	
CCA748GKA	EHD4X60A**	MV16J22**B*	49000	40000	17	13.2	1400	1120	
	EHD4X60A**	MV20L24**B*	49000	40000	17	13.2	1400	1120	
	EHD4X60A**	OLV112A16A	48500	40000	16	12.2	1449	1169	
	EHD4X60A**	OLV154F20A	49000	40500	16.7	13	1447	1171	
	EHD4X60A**		48000	39500	14.7	12.2	1400	1120	
	EN(A,D)4X48*24**	*8MV*1102120**		47500	39500	16.2	12.5	1400	1120
	EN(A,D)4X48*24**	*8MV*1352422**		47500	39500	16.5	12.7	1400	1120
	EN(A,D)4X48*24**	*8MX*1102120**		47500	39500	16.5	12.7	1380	1130
	EN(A,D)4X48*24**	*8MX*1352420**		47500	40000	16	12.5	1400	1235
	EN(A,D)4X48*24**	*9MA*0602120A**		46500	38500	15.7	12.2	1300	1040
	EN(A,D)4X48*24**	*9MA*0802120A**		47000	39000	16.2	12.5	1300	1040
	EN(A,D)4X48*24**	*9MA*1002122A**		47000	39000	16.2	12.7	1300	1040
	EN(A,D)4X48*24**	*9MA*1202422A**		47000	39000	16.2	12.5	1300	1040
	EN(A,D)4X48*24**	*9MX*0802120A**		47500	40000	15.7	12.5	1410	1260
	EN(A,D)4X48*24**	*9MX*1002120A**		47500	39500	16	12.5	1385	1205
	EN(A,D)4X48*24**	*9MX*1202422A**		47500	40000	15.7	12.5	1415	1290
	EN(A,D)4X48*24**	MV16J22**B*		47500	39500	16.7	13	1400	1120
	EN(A,D)4X48*24**	MV20L24**B*		48000	39500	16.7	13	1400	1120
	EN(A,D)4X48*24**	OLV112A16A		47000	39500	15.5	12	1449	1169
	EN(A,D)4X48*24**	OLV154F20A		47500	39500	16.2	12.5	1447	1171
	EN(A,D)4X48*24**			47000	38500	14.5	12	1400	1120
	EN(A,D)4X61*24**	*8MV*1102120**		48500	40000	17	13	1301	1040
	EN(A,D)4X61*24**	*8MX*0902116**		49000	40500	16.7	13	1435	1125
	EN(A,D)4X61*24**	*8MX*1102120**		49000	40500	17	13	1400	1160
	EN(A,D)4X61*24**	*8MX*1352420**		49000	41000	16.5	13	1425	1265
	EN(A,D)4X61*24**	*9MA*0602120A**		48000	39500	16.2	12.5	1300	1040
	EN(A,D)4X61*24**	*9MA*0802120A**		48500	39500	16.7	13	1300	1040
	EN(A,D)4X61*24**	*9MA*1002122A**		48500	39500	16.7	13	1300	1040
	EN(A,D)4X61*24**	*9MA*1202422A**		48500	39500	16.7	13	1300	1040
	EN(A,D)4X61*24**	*9MV*1202422A**		48500	40500	16.7	13	1295	1145
	EN(A,D)4X61*24**	*9MX*0802120A**		49000	41000	16.2	12.7	1425	1275
	EN(A,D)4X61*24**	*9MX*1002120A**		49000	41000	16.5	13	1405	1225
	EN(A,D)4X61*24**	*9MX*1202422A**		49000	41000	16.2	13	1435	1315
	EN(A,D)4X61*24**	MV16J22**B*		49000	40500	17.2	13.2	1400	1120
	EN(A,D)4X61*24**	MV20L24**B*		49500	40500	17.2	13.2	1400	1120
	EN(A,D)4X61*24**	OLV112A16A		48500	40500	16	12.2	1449	1169
	EN(A,D)4X61*24**	OLV154F20A		49000	40500	16.7	13	1447	1171
	EN(A,D)4X61*24**			48500	39500	15	12.2	1400	1120
	EN(A,D,W)4X48*21**	*8MV*0901716**		47500	39500	16.2	12.5	1400	1120
	EN(A,D,W)4X48*21**	*8MV*1102120**		47500	39500	16.2	12.5	1400	1120
	EN(A,D,W)4X48*21**	*8MX*1102120**		47500	39500	16.5	12.7	1380	1130
	EN(A,D,W)4X48*21**	*9MA*0602120A**		46500	38500	15.7	12.2	1300	1040
	EN(A,D,W)4X48*21**	*9MA*0802120A**		47000	39000	16.2	12.5	1300	1040
	EN(A,D,W)4X48*21**	*9MA*1002122A**		47000	39000	16.2	12.7	1300	1040
	EN(A,D,W)4X48*21**	*9MV*0801716A**		46500	38000	15.7	12.2	1280	980
	EN(A,D,W)4X48*21**	*9MX*0801716A**		47000	39000	15.5	12	1380	1065
	EN(A,D,W)4X48*21**	*9MX*0802120A**		47500	40000	15.7	12.5	1410	1260
	EN(A,D,W)4X48*21**	*9MX*1002120A**		47500	39500	16	12.5	1385	1205
EN(A,D,W)4X48*21**	OLV112A16A		47000	39500	15.5	12	1449	1169	
EN(A,D,W)4X48*21**			47000	38500	14.5	12	1400	1120	

COOLING PERFORMANCE

For complete ratings information, use the AHRI website directory search: www.AHRIdirectory.org.
 New ratings may be listed online before Specification Sheets are updated.

Unit Size	Indoor Model	Furnace Model	AHRI STANDARD RATINGS					
			COOLING 95° F (35° C)					
			Capacity		SEER	EER	ID CFM	
			High	Low			HIGH	LOW
CCA748GKA	EN(A,D,W)4X60*24**	*8MV*1102120**	48500	40000	16.5	13	1400	1120
	EN(A,D,W)4X60*24**	*8MV*1352422**	48500	40000	16.7	13	1400	1120
	EN(A,D,W)4X60*24**	*8MX*1102120**	48500	40000	16.5	13	1395	1145
	EN(A,D,W)4X60*24**	*8MX*1352420**	48500	40500	16.2	12.7	1420	1255
	EN(A,D,W)4X60*24**	*9MA*0602120A**	47500	39000	16	12.5	1300	1040
	EN(A,D,W)4X60*24**	*9MA*0802120A**	47500	39000	16.5	12.7	1300	1040
	EN(A,D,W)4X60*24**	*9MA*1002122A**	48000	39000	16.5	13	1300	1040
	EN(A,D,W)4X60*24**	*9MA*1202422A**	48000	39000	16.5	12.7	1300	1040
	EN(A,D,W)4X60*24**	*9MV*1202422A**	47500	40000	16.5	13	1285	1130
	EN(A,D,W)4X60*24**	*9MX*1002120A**	48000	40000	16.2	12.7	1400	1215
	EN(A,D,W)4X60*24**	*9MX*1202422A**	48500	40500	16	12.7	1425	1305
	EN(A,D,W)4X60*24**	MV16J22**B*	48500	40000	17	13.2	1400	1120
	EN(A,D,W)4X60*24**	MV20L24**B*	48500	40000	17	13.2	1400	1120
	EN(A,D,W)4X60*24**	OLV112A16A	48000	40000	15.7	12	1449	1169
	EN(A,D,W)4X60*24**	OLV154F20A	48500	40000	16.5	12.7	1447	1171
	EN(A,D,W)4X60*24**		47500	39000	14.7	12	1400	1120
	ENH4X48*21**	*8MV*0901716**	47500	39500	16.2	12.5	1400	1120
	ENH4X48*21**	*8MV*1102120**	47500	39500	16.2	12.5	1400	1120
	ENH4X48*21**	*8MV*1352422**	47500	39500	16.5	12.7	1400	1120
	ENH4X48*21**	*8MX*0902116**	47500	39000	16.2	12.5	1420	1105
	ENH4X48*21**	*8MX*1102120**	47500	39500	16.5	12.7	1380	1130
	ENH4X48*21**	*9MA*0602120A**	46500	38500	15.7	12.2	1300	1040
	ENH4X48*21**	*9MA*0802120A**	47000	39000	16.2	12.5	1300	1040
	ENH4X48*21**	*9MA*1002122A**	47000	39000	16.2	12.7	1300	1040
	ENH4X48*21**	*9MA*1202422A**	47000	39000	16.2	12.5	1300	1040
	ENH4X48*21**	*9MV*0801716A**	46500	38000	15.7	12.2	1280	980
	ENH4X48*21**	*9MV*1202422A**	47000	39500	16.2	12.7	1270	1120
	ENH4X48*21**	*9MX*0801716A**	47000	39000	15.5	12	1380	1065
	ENH4X48*21**	*9MX*0802120A**	47500	40000	15.7	12.5	1410	1260
	ENH4X48*21**	*9MX*1002120A**	47500	39500	16	12.5	1385	1205
	ENH4X48*21**	*9MX*1202422A**	47500	40000	15.7	12.5	1415	1290
	ENH4X48*21**	OLV112A16A	47000	39500	15.5	12	1449	1169
	ENH4X48*21**	OLV154F20A	47500	39500	16.2	12.5	1447	1171
ENH4X48*21**		47000	38500	14.5	12	1400	1120	
ENH4X60*24**	*8MV*0901716**	48000	39500	16.5	12.7	1400	1120	
ENH4X60*24**	*8MV*1102120**	48500	40000	16.5	13	1400	1120	
ENH4X60*24**	*8MV*1352422**	48500	40000	16.7	13	1400	1120	
ENH4X60*24**	*8MX*1102120**	48500	40000	16.5	13	1395	1145	
ENH4X60*24**	*8MX*1352420**	48500	40500	16.2	12.7	1420	1255	
ENH4X60*24**	*9MA*0602120A**	47500	39000	16	12.5	1300	1040	
ENH4X60*24**	*9MA*0802120A**	47500	39000	16.5	12.7	1300	1040	
ENH4X60*24**	*9MA*1002122A**	48000	39000	16.5	13	1300	1040	
ENH4X60*24**	*9MA*1202422A**	48000	39000	16.5	12.7	1300	1040	
ENH4X60*24**	*9MV*0801716A**	47500	38500	16	12.5	1290	990	
ENH4X60*24**	*9MV*1202422A**	47500	40000	16.5	13	1285	1130	
ENH4X60*24**	*9MX*0801716A**	47500	39000	16	12.2	1390	1075	
ENH4X60*24**	*9MX*0802120A**	48000	40500	16	12.7	1420	1270	
ENH4X60*24**	*9MX*1002120A**	48000	40000	16.2	12.7	1400	1215	
ENH4X60*24**	*9MX*1202422A**	48500	40500	16	12.7	1425	1305	
ENH4X60*24**	MV16J22**B*	48500	40000	17	13.2	1400	1120	
ENH4X60*24**	MV20L24**B*	48500	40000	17	13.2	1400	1120	

COOLING PERFORMANCE								
For complete ratings information, use the AHRI website directory search: www.AHRIdirectory.org .								
New ratings may be listed online before Specification Sheets are updated.								
Unit Size	Indoor Model	Furnace Model	AHRI STANDARD RATINGS					
			COOLING 95° F (35° C)					
			Capacity		SEER	EER	ID CFM	
			High	Low			HIGH	LOW
CCA748GKA	ENH4X60*24**	OLV112A16A	48000	40000	15.7	12	1449	1169
	ENH4X60*24**	OLV154F20A	48500	40000	16.5	12.7	1447	1171
	ENH4X60*24**		47500	39000	14.7	12	1400	1120
	ENH4X61*24**	*8MV*0901716**	48500	40000	16.5	12.7	1400	1120
	ENH4X61*24**	*8MV*1102120**	48000	39500	16.5	13	1301	1040
	ENH4X61*24**	*8MV*1352422**	48500	40000	16.7	13	1400	1120
	ENH4X61*24**	*8MX*0902116**	48500	40000	16.5	12.7	1410	1095
	ENH4X61*24**	*8MX*1102120**	48500	40000	16.5	13	1370	1120
	ENH4X61*24**	*8MX*1352420**	48500	40500	16.2	12.7	1390	1220
	ENH4X61*24**	*9MA*0602120A**	47500	39000	16	12.5	1300	1040
	ENH4X61*24**	*9MA*0802120A**	48000	39500	16.2	12.7	1300	1040
	ENH4X61*24**	*9MA*1002122A**	48000	39500	16.5	13	1300	1040
	ENH4X61*24**	*9MA*1202422A**	48000	39500	16.2	12.7	1300	1040
	ENH4X61*24**	*9MV*0801716A**	48000	39500	16	12.2	1390	1065
	ENH4X61*24**	*9MV*1202422A**	48000	40000	16.5	13	1260	1105
	ENH4X61*24**	*9MX*0801716A**	48000	39500	16	12.2	1375	1060
	ENH4X61*24**	*9MX*0802120A**	48500	40500	16	12.7	1400	1250
	ENH4X61*24**	*9MX*1002120A**	48500	40500	16.2	12.7	1375	1190
	ENH4X61*24**	*9MX*1202422A**	48500	40500	16	12.7	1400	1275
	ENH4X61*24**	MV16J22**B*	49000	40000	17	13.2	1400	1120
	ENH4X61*24**	MV20L24**B*	49000	40000	17	13.2	1400	1120
	ENH4X61*24**	OLV112A16A	48000	40000	15.7	12	1449	1169
	ENH4X61*24**	OLV154F20A	49000	40500	16.5	12.7	1447	1171

ENERGY STAR compliance for combinations with both: SEER 14.50 or higher and EER 12.00 or higher.

† For coils not listed with a matching furnace or blower, coil rating applies with any indoor blower device

COOLING PERFORMANCE								
For complete ratings information, use the AHRI website directory search: www.AHRIdirectory.org .								
New ratings may be listed online before Specification Sheets are updated.								
Unit Size	Indoor Model	Furnace Model	AHRI STANDARD RATINGS					
			COOLING 95° F (35° C)					
			Capacity		SEER	EER	ID CFM	
			High	Low			HIGH	LOW
CCA760GKA	*ENH4X61*24**	*8MX*1102120**	58000	46000	16.5	13	1675	1245
	FCM4X60****		59000	47000	16.5	13.2	1750	1400
	FVM4X60****		59000	47000	16.7	13.2	1750	1400
	EA*4X60*21A*	*8MV*1102120**	57500	46000	16	12.5	1626	1300
	EA*4X60*21A*	*8MX*1102120**	58000	45500	16.2	12.7	1670	1250
	EA*4X60*21A*	*9MA*0602120A**	57000	45500	15	12	1625	1300
	EA*4X60*21A*	*9MA*0802120A**	57500	45500	15.7	12.5	1625	1300
	EA*4X60*21A*	*9MA*1002122A**	57500	46000	15.7	12.5	1625	1300
	EA*4X60*21A*	*9MV*0802120A**	57500	45500	16	12.5	1580	1275
	EA*4X60*21A*	*9MV*1002120A**	57500	45500	16	12.7	1555	1260
	EA*4X60*21A*	*9MX*0802120A**	57500	46500	15.5	12.5	1625	1420
	EA*4X60*21A*	*9MX*1002120A**	58000	46000	15.5	12.2	1720	1405
	EA*4X60*21A*		58000	45500	14.7	12.5	1750	1400
	EA*4X60*24A*	*8MV*1102120**	58000	46500	15.7	12.5	1750	1400
	EA*4X60*24A*	*8MV*1352422**	58000	46000	16.2	13	1626	1300
	EA*4X60*24A*	*8MX*1352420**	58000	45500	16	12.7	1650	1260
	EA*4X60*24A*	*9MA*0602120A**	57000	45500	15.2	12	1625	1300
	EA*4X60*24A*	*9MA*0802120A**	57500	45500	15.7	12.5	1625	1300
	EA*4X60*24A*	*9MA*1002122A**	57500	46000	16	12.7	1625	1300
	EA*4X60*24A*	*9MA*1202422A**	57500	46000	15.7	12.5	1625	1300
	EA*4X60*24A*	*9MV*0802120A**	57500	45500	16	12.5	1590	1280
	EA*4X60*24A*	*9MV*1002120A**	57500	45500	16	12.7	1565	1265
	EA*4X60*24A*	*9MV*1202422A**	57500	46000	16	12.7	1610	1305
	EA*4X60*24A*	*9MX*0802120A**	57500	46500	15.5	12.5	1635	1425
	EA*4X60*24A*	*9MX*1002120A**	58000	46500	15.5	12.5	1735	1415
	EA*4X60*24A*	*9MX*1202422A**	57500	46000	16	12.5	1640	1310
	EA*4X60*24A*	MV16J22**B*	58000	46500	16.2	13	1750	1400
	EA*4X60*24A*	MV20L24**B*	58000	46500	16.5	13	1750	1400
	EA*4X60*24A*	OLV154F20A	58500	47000	15	11.5	2109	1677
	EA*4X60*24A*		58000	45500	14.7	12.5	1750	1400
	EHD4X60A**	*8MV*1102120**	58000	46500	16.2	12.7	1626	1300
	EHD4X60A**	*8MV*1352422**	58500	46500	16.5	13	1626	1300
	EHD4X60A**	*8MX*1102120**	58500	46000	16.5	13	1710	1270
	EHD4X60A**	*8MX*1352420**	58500	46000	16.2	12.7	1675	1275
	EHD4X60A**	*9MA*0602120A**	57500	46000	15.2	12	1625	1300
	EHD4X60A**	*9MA*0802120A**	58000	46000	15.7	12.5	1625	1300
	EHD4X60A**	*9MA*1002122A**	58000	46000	16	12.7	1625	1300
	EHD4X60A**	*9MA*1202422A**	58000	46000	16	12.7	1625	1300
	EHD4X60A**	*9MV*0802120A**	58000	46000	16	12.7	1610	1290
	EHD4X60A**	*9MV*1002120A**	58000	46000	16	13	1580	1275
EHD4X60A**	*9MV*1202422A**	58000	46500	16	12.7	1635	1320	
EHD4X60A**	*9MX*0802120A**	58000	46500	15.5	12.5	1650	1440	

* Tested Combo

COOLING PERFORMANCE									
For complete ratings information, use the AHRI website directory search: www.AHRIdirectory.org .									
New ratings may be listed online before Specification Sheets are updated.									
Unit Size	Indoor Model	Furnace Model	AHRI STANDARD RATINGS						
			COOLING 95° F (35° C)						
			Capacity		SEER	EER	ID CFM		
High	Low	HIGH	LOW						
CCA760GKA	EHD4X60A**	*9MX*1002120A**	58500	47000	15.7	12.5	1755	1430	
	EHD4X60A**	*9MX*1202422A**	58000	46500	16	12.7	1665	1325	
	EHD4X60A**	MV16J22**B*	58500	47000	16.5	13.2	1750	1400	
	EHD4X60A**	MV20L24**B*	58500	47000	16.7	13.2	1750	1400	
	EHD4X60A**	OLV154F20A	59000	47500	15.2	11.7	2109	1677	
	EHD4X60A**		58500	46000	15	12.5	1750	1400	
	EN(A,D)4X61*24**	*8MV*1102120**		58500	46500	16.5	13	1626	1300
	EN(A,D)4X61*24**	*8MV*1352422**		58500	46500	16.5	13	1626	1300
	EN(A,D)4X61*24**	*8MX*1102120**		59000	47500	16.2	13	1710	1435
	EN(A,D)4X61*24**	*8MX*1352420**		58500	46500	16.5	13	1675	1290
	EN(A,D)4X61*24**	*9MA*0602120A**		58000	46000	15.5	12	1625	1300
	EN(A,D)4X61*24**	*9MA*0802120A**		58500	46500	16	12.7	1625	1300
	EN(A,D)4X61*24**	*9MA*1002122A**		58500	46500	16.2	13	1625	1300
	EN(A,D)4X61*24**	*9MA*1202422A**		58500	46500	16.2	12.7	1625	1300
	EN(A,D)4X61*24**	*9MV*0802120A**		58500	46500	16	12.7	1610	1300
	EN(A,D)4X61*24**	*9MV*1002120A**		58500	46500	16.2	13	1585	1285
	EN(A,D)4X61*24**	*9MV*1202422A**		58500	46500	16.2	13	1630	1325
	EN(A,D)4X61*24**	*9MX*0802120A**		58500	47000	15.7	12.7	1650	1445
	EN(A,D)4X61*24**	*9MX*1002120A**		59000	47000	16	12.5	1755	1435
	EN(A,D)4X61*24**	*9MX*1202422A**		58500	46500	16.2	12.7	1660	1335
	EN(A,D)4X61*24**	MV16J22**B*		59000	47500	16.7	13.2	1750	1400
	EN(A,D)4X61*24**	MV20L24**B*		59000	47500	16.7	13.2	1750	1400
	EN(A,D)4X61*24**	OLV154F20A		59500	48000	15.5	11.7	2109	1677
	EN(A,D)4X61*24**			59000	46500	15	12.5	1750	1400
	EN(A,D,W)4X60*24**	*8MV*1102120**		57500	46000	16	12.7	1626	1300
	EN(A,D,W)4X60*24**	*8MV*1352422**		58000	46000	16.2	13	1626	1300
	EN(A,D,W)4X60*24**	*8MX*1102120**		58000	46500	16	12.7	1700	1425
	EN(A,D,W)4X60*24**	*8MX*1352420**		58000	46000	16	12.7	1670	1280
	EN(A,D,W)4X60*24**	*9MA*0602120A**		57000	45500	15.2	12	1625	1300
	EN(A,D,W)4X60*24**	*9MA*0802120A**		57500	46000	15.7	12.5	1625	1300
	EN(A,D,W)4X60*24**	*9MA*1002122A**		57500	46000	16	12.7	1625	1300
	EN(A,D,W)4X60*24**	*9MA*1202422A**		57500	46000	16	12.5	1625	1300
	EN(A,D,W)4X60*24**	*9MV*0802120A**		57500	46000	16	12.5	1605	1290
	EN(A,D,W)4X60*24**	*9MV*1002120A**		57500	45500	16	12.7	1575	1280
	EN(A,D,W)4X60*24**	*9MV*1202422A**		57500	46000	16	12.7	1625	1320
	EN(A,D,W)4X60*24**	*9MX*0802120A**		57500	46500	15.5	12.5	1645	1440
	EN(A,D,W)4X60*24**	*9MX*1002120A**		58000	46500	15.7	12.5	1750	1430
	EN(A,D,W)4X60*24**	*9MX*1202422A**		57500	46000	16	12.5	1655	1325
	EN(A,D,W)4X60*24**	MV16J22**B*		58000	46500	16.5	13	1750	1400
	EN(A,D,W)4X60*24**	MV20L24**B*		58000	46500	16.5	13	1750	1400
EN(A,D,W)4X60*24**	OLV154F20A		58500	47000	15	11.5	2109	1677	
EN(A,D,W)4X60*24**			58000	45500	14.7	12.5	1750	1400	
ENH4X60*24**	*8MV*1102120**		57500	46000	16	12.7	1626	1300	
ENH4X60*24**	*8MV*1352422**		58000	46000	16.2	13	1626	1300	
ENH4X60*24**	*8MX*1102120**		58000	46000	16.2	12.7	1700	1275	
ENH4X60*24**	*8MX*1352420**		58000	46000	16	12.7	1670	1280	
ENH4X60*24**	*9MA*0602120A**		57000	45500	15.2	12	1625	1300	
ENH4X60*24**	*9MA*0802120A**		57500	46000	15.7	12.5	1625	1300	
ENH4X60*24**	*9MA*1002122A**		57500	46000	16	12.7	1625	1300	
ENH4X60*24**	*9MA*1202422A**		57500	46000	16	12.5	1625	1300	
ENH4X60*24**	*9MV*0802120A**		57500	46000	16	12.5	1605	1290	
ENH4X60*24**	*9MV*1002120A**		57500	45500	16	12.7	1575	1280	
ENH4X60*24**	*9MV*1202422A**		57500	46000	16	12.7	1625	1320	

COOLING PERFORMANCE								
For complete ratings information, use the AHRI website directory search: www.AHRIdirectory.org . New ratings may be listed online before Specification Sheets are updated.								
Unit Size	Indoor Model	Furnace Model	AHRI STANDARD RATINGS					
			COOLING 95° F (35° C)					
			Capacity		SEER	EER	ID CFM	
			High	Low			HIGH	LOW
CCA760GKA	ENH4X60*24**	*9MX*1002120A**	58000	46500	15.7	12.5	1750	1430
	ENH4X60*24**	*9MX*1202422A**	57500	46000	16	12.5	1655	1325
	ENH4X60*24**	MV16J22**B*	58000	46500	16.5	13	1750	1400
	ENH4X60*24**	MV20L24**B*	58000	46500	16.5	13	1750	1400
	ENH4X60*24**	OLV154F20A	58500	47000	15	11.5	2109	1677
	ENH4X60*24**		58000	45500	14.7	12.5	1750	1400
	ENH4X61*24**	*8MV*1102120**	58000	46000	16	12.7	1626	1300
	ENH4X61*24**	*8MV*1352422**	58000	46000	16.2	13	1626	1300
	ENH4X61*24**	*8MX*1352420**	58000	46000	16	12.7	1640	1245
	ENH4X61*24**	*9MA*0602120A**	57500	45500	15.2	12	1625	1300
	ENH4X61*24**	*9MA*0802120A**	58000	46000	15.7	12.5	1625	1300
	ENH4X61*24**	*9MA*1002122A**	58000	46000	16	12.7	1625	1300
	ENH4X61*24**	*9MA*1202422A**	58000	46000	15.7	12.5	1625	1300
	ENH4X61*24**	*9MV*0802120A**	58000	46000	16	12.5	1585	1270
	ENH4X61*24**	*9MV*1002120A**	57500	46000	16	12.7	1555	1255
	ENH4X61*24**	*9MV*1202422A**	58000	46000	16	12.7	1605	1295
	ENH4X61*24**	*9MX*0802120A**	58000	46500	15.5	12.5	1625	1420
	ENH4X61*24**	*9MX*1002120A**	58500	46500	15.7	12.5	1725	1405
	ENH4X61*24**	*9MX*1202422A**	58000	46000	16	12.5	1630	1300
	ENH4X61*24**	MV16J22**B*	58500	47000	16.5	13	1750	1400
	ENH4X61*24**	MV20L24**B*	58500	47000	16.5	13	1750	1400
	ENH4X61*24**	OLV154F20A	59000	47500	15	11.5	2109	1677
	ENH4X61*24**		58500	46000	14.7	12.5	1750	1400

ENERGY STAR compliance for combinations with both: SEER 14.50 or higher and EER 12.00 or higher.

† For coils not listed with a matching furnace or blower, coil rating applies with any indoor blower device

ACCESSORY USAGE GUIDELINES

Accessory	REQUIRED FOR LONG LINE APPLICATIONS* (Over 80 ft. / 24.38 m)	Required for Sea Coast Application (within 2 miles/3.22 km)
Crankcase Heater	Yes, standard on some units	No
Compressor Start Assist Capacitor and Relay	Yes	No
Liquid Line Solenoid Valve	See Long Line Applications Guide-line	No
Support Feet	No	Recommended

* For Line Set lengths between 80 and 200 ft (24.4 and 61m) horizontal, or more than 20 ft (6.1m) indoor-outdoor vertical separation, refer to the Long Line Application Guideline document.

ACCESSORIES

Part Number	Description	Used On Model Size
NASA401LS	Liquid Line Solenoid Valve, R-410A	ALL
NASA001TD	Time Delay Relay, Indoor Blower	ALL
NASA001SF	Support Feet, 4" (102mm) tall	ALL
NASA010SC	Hard Start Kit (Capacitor & Relay)	24
NASA011SC	Hard Start Kit (Capacitor & Relay)	36
NASA012SC	Hard Start Kit (Capacitor & Relay)	48
NASA013SC	Hard Start Kit (Capacitor & Relay)	60
NASA0100CH	Crankcase Heater Kit (Factory installed on 48 & 60)	24, 36
WALL CONTROL		
TSTAT0101SC	Observer™ Self Configuring Communicating Wall Control	ALL