



# Reference Guide

## Scroll Compressor Cross Reference Guide





# Table of Contents

Cross Reference: Trane-SF-Danfoss-Copeland . . . . .	3
Cross Reference: Alliance-Copeland: R22 Scroll Compressors . . . . .	4
Cross Reference: Alliance-Copeland: R410-A Scroll Compressors . . . . .	5
Trane Scroll Compressors . . . . .	6
SF Model Number Nomenclature . . . . .	8
SF Compressors . . . . .	9
Copeland Model Number Nomenclature . . . . .	10
Copeland R-22 . . . . .	11
Copeland R410-A . . . . .	14
Copeland Accessories . . . . .	16
Danfoss Model Number Nomenclature . . . . .	18
Danfoss R22 scrolls. . . . .	19



# Cross Reference: Trane-SF-Danfoss-Copeland

\*SF Compressors available April 2016

Voltage	Tonnage	Trane OEM COM #	*SF COM #	Danfoss COM #	Copeland COM #s		
230-3	6	COM08294	SFCOM072-23020C		COM11175		
	7	COM08288	SFCOM084-23020C	COM10205	COM11176	COM11303	
	8	COM08305	SFCOM096-23020C	COM11158	COM11445	COM08725	COM11176
	9	COM08290	SFCOM108-23020C	COM11159	COM11445	COM08725	COM11447
	9	COM06425	SFCOM110-23020A	COM08952	COM11445	COM08725	COM11447
	10	COM08292	SFCOM120-23020C	COM11160	COM08727	COM11447	
	10	COM06429	SFCOM125-23020A	COM08954	COM08727	COM11447	
	12.5	COM08364	SFCOM144-23020A	COM09320			
	14	COM06433	SFCOM168-23020A	COM08956	COM11451	COM11483	
	15	COM06437	SFCOM180-23020A	COM08958	COM11451	COM11483	

Voltage	Tonnage	Trane OEM COM #	*SF COM #	Danfoss COM #	Copeland COM #s		
460-3	6	COM08295	SFCOM072-46020C	COM11161	COM11181		
	7	COM08289	SFCOM084-46020C	COM09276	COM10923	COM11182	
	8	COM08307	SFCOM096-46020C	COM11162	COM11182	COM11446	COM11317
	9	COM08291	SFCOM108-46020C	COM11163	COM11448	COM11317	COM11446
	9	COM06426	SFCOM110-46020A	COM08953	COM11448	COM11317	COM11446
	10	COM08293	SFCOM120-46020C	COM11164	COM11448	COM08734	
	10	COM06430	SFCOM125-46020A	COM08955	COM11448	COM08734	
	12.5	COM08365	SFCOM144-46020A	COM09639			
	14	COM06434	SFCOM168-46020A	COM08957	COM11484	COM11485	
	15	COM06438	SFCOM180-46020A	COM08959	COM11484	COM11485	

Voltage	Tonnage	Trane OEM COM #	*SF COM #	Danfoss COM #	Copeland COM #s		
575-3	6	COM08296	SFCOM072-57520C		COM11330		
	7	COM08303	SFCOM084-57520C		COM11332		
	8	COM08308	SFCOM096-57520C		COM11332	COM11333	
	9	COM08315	SFCOM108-57520C		COM11819	COM11333	
	9	COM06427	SFCOM110-57520A		COM11819	COM11333	
	10	COM08323	SFCOM120-57520C		COM11819	COM11334	
	10	COM06431	SFCOM125-57520A		COM11819	COM11334	
	12.5	COM08366	SFCOM144-57520A				
	14	COM06435	SFCOM168-57520A				
	15	COM06439	SFCOM180-57520A				



# Cross Reference: Alliance-Copeland: R22 Scroll Compressors

## 208-230Volt 1ph R-22

Size	COM #	Alliance Description	P/N	Copeland Model	Description
2.0 TON	COM10023	2TON ROTOLock SCROLL	COM11165	ZR25K5E-PFV-800	2TON SWEAT SCROLL
2.5 TON	COM10025	2.5 TON ROTOLock SCROLL	COM11166	ZR32K5E-PFV-800	2.5 TON SWEAT SCROLL
3.0 TON	COM10026	3.0 TON ROTOLock SCROLL	COM11167	ZR38K5E-PFV-800	3.0 TON SWEAT SCROLL
3.5 TON	COM08153	3.5 TON SWEAT SCROLL	COM11168	ZR42K5E-PFV-800	3.5 TON SWEAT SCROLL
3.9 TON	COM10252	3.9 TON SWEAT SCROLL	COM11169	ZR48K5E-PFV-800	3.9 TON SWEAT SCROLL
4.5 TON	COM10258	4.5 TON SWEAT SCROLL	COM11290	ZR54K5E-PFV-800	4.5 TON SWEAT SCROLL
5.1 TON	COM08258	5.1 TON SWEAT SCROLL	COM11171	ZR61K3E-PFV-930	5.1 TON SWEAT SCROLL

## 208-230Volt 3ph R-22

Size	COM #	Alliance Description	P/N	Copeland Model	Description
2.33 TON	COM10237	2.33 TON ROTOLock SCROLL	COM11295	ZR28K5E-TF5-800	2.33 TON SWEAT SCROLL
2.5 TON	COM10240	2.5 TON ROTOLock SCROLL	COM11296	ZR32K5E-TF5-800	2.5 TON SWEAT SCROLL
3.0 TON	COM10244	3.0 TON ROTOLock SCROLL	COM11297	ZR38K5E-TF5-800	3.0 TON SWEAT SCROLL
3.5 TON	COM10247	3.5 TON SWEAT SCROLL	COM11298	ZR42K5E-TF5-800	3.5 TON SWEAT SCROLL
3.9 TON	COM10253	3.9 TON SWEAT SCROLL	COM11172	ZR48K5E-TF5-800	3.9 TON SWEAT SCROLL
4.5 TON	COM10259	4.5 TON SWEAT SCROLL	COM11299	ZR54K5E-TF5-800	4.5 TON SWEAT SCROLL
5.1 TON	COM07161	5.1 TON SWEAT SCROLL	COM11174	ZR61K3E-TF5-930	5.1 TON SWEAT SCROLL
6.0 TON	COM07145	6.0 TON SWEAT SCROLL	COM11175	ZR72KCE-TF5-950	6.0 TON SWEAT SCROLL
6.8 TON	COM07173	6.8 TON SWEAT SCROLL	COM07363	ZR81KCE-TF5-950	6.8 TON SWEAT SCROLL

## 460Volt 3ph R-22

Size	COM #	Alliance Description	P/N	Copeland Model	Description
2.33 TON	COM06942	2.33 TON ROTOLock SCROLL	COM11310	ZR28K5E-TFD-800	2.33 TON SWEAT SCROLL
3.0 TON	COM10245	3.0 TON ROTOLock SCROLL	COM11312	ZR38K5E-TFD-800	3.0 TON SWEAT SCROLL
3.5 TON	COM10249	3.5 TON SWEAT SCROLL	COM11313	ZR42K5E-TFD-800	3.5 TON SWEAT SCROLL
4.0 TON	COM10255	4.0 TON SWEAT SCROLL	COM11177	ZR48K5E-TFD-800	4.0 TON SWEAT SCROLL
4.5 TON	COM09949	4.5 TON SWEAT SCROLL	COM10632	ZR54K5E-TFD-800	4.5 TON SWEAT SCROLL
5.1 TON	COM07160	5.1 TON SWEAT SCROLL	COM11179	ZR61K3E-TFD-930	5.1 TON SWEAT SCROLL
6.0 TON	COM07144	6.0 TON SWEAT SCROLL	COM11181	ZR72KCE-TFD-950	6.0 TON SWEAT SCROLL
6.8 TON	COM07172	6.8 TON SWEAT SCROLL	COM07364	ZR81KCE-TFD-950	6.8 TON SWEAT SCROLL



# Cross Reference: Alliance-Copeland: R410-A Scroll Compressors

## 208-230Volt 1ph R-410

Size	COM #	Description	P/N	Copeland Model	Description
2 TON	COM09574	2 TON SWEAT SCROLL	COM10608	ZP25K5E-PFV-830	2 TON SWEAT SCROLL
2.5 TON	COM10032	2.5 TON SWEAT SCROLL	COM10612	ZP31K5E-PFV-830	2.5 TON SWEAT SCROLL
3 TON	COM10048	3 TON SWEAT SCROLL	COM10640	ZP36K5E-PFV-830	3 TON SWEAT SCROLL
3.5 TON	COM09756	3.5 TON SWEAT SCROLL	COM11574	ZP42K5E-PFV-830	3.5 TON SWEAT SCROLL
4.25 TON	COM10071	4.25 TON SWEAT SCROLL	COM11575	ZP49K5E-PFV-830	4.25 TON SWEAT SCROLL
4.5 TON	COM09757	4.5 TON SWEAT SCROLL	COM10609	ZP54K5E-PFV-830	4.5 TON SWEAT SCROLL

## 208-230Volt 3ph R-410

Size	COM #	Description	P/N	Copeland Model	Description
2.5 TON	COM10033	2.5 TON SWEAT SCROLL	COM10618	ZP31K5E-TF5-830	2.5 TON SWEAT SCROLL
3 TON	COM10049	3 TON SWEAT SCROLL	COM11577	ZP38K5E-TF5-830	3 TON SWEAT SCROLL
3.5 TON	COM10275	3.5 TON SWEAT SCROLL	COM11578	ZP42K5E-TF5-830	3.5 TON SWEAT SCROLL
4.5 TON	COM09012	4.5 TON ROTOLock SCROLL	COM10603	ZP54K5E-TF5-830	4.5 TON SWEAT SCROLL
5.1 TON	COM10212	5.1 TON SWEAT SCROLL	COM11478	ZP61K5E-TF5-830	5.1 TON SWEAT SCROLL
6.0 TON	COM09769	6 TON SWEAT SCROLL	COM11580	ZP72KCE-TF5-950	6 TON SWEAT SCROLL
6.9 TON	COM08846	6.9 TON SWEAT SCROLL	COM09081	ZP83KCE-TF5-950	6.9 TON SWEAT SCROLL

## 460Volt 3ph R-410

Size	COM #	Description	P/N	Copeland Model	Description
2.33 TON	COM10034	2.33 TON SCROLL	COM10605	ZP31K5E-TFD-830	2.33 TON SWEAT SCROLL
3 TON	COM10050	3 TON SWEAT SCROLL	COM11582	ZP38K5E-TFD-830	3 TON SWEAT SCROLL
3.5 TON	COM09704	3.5 TON SWEAT SCROLL	COM11583	ZP42K5E-TFD-830	3.5 TON SWEAT SCROLL
4.5 TON	COM09013	4.5 TON ROTOLock SCROLL	COM10610	ZP54K5E-TFD-830	4.5 TON SWEAT SCROLL
5.1 TON	COM09766	5.1 TON SWEAT SCROLL	COM11479	ZP61K5E-TFD-830	5.1 TON SWEAT SCROLL
6.0 TON	COM09657	6 TON SWEAT SCROLL	COM11585	ZP72KCE-TFD-950	6 TON SWEAT SCROLL
6.9 TON	COM08847	6.9 TON SWEAT SCROLL	COM09082	ZP83KCE-TFD-950	6.9 TON SWEAT SCROLL



# Trane Scroll Compressors

## 230/60/3

Capacity (Tons)	R22	R134-A, R404-A, R407-C	R410-A	R410-A
6	COM08294	COM08326		
7.5	COM08288	COM08331	COM09845	
8	COM08305	COM08335		
9	COM08290	COM08340	COM09120	
9	COM06425	COM07232		
10	COM08292	COM08346	COM09856	
10	COM06429	COM07254		
12.5	COM08364	COM09739		
14	COM06433	COM07555	COM09870	COM09873
15	COM06437	COM07557	COM09867	COM09170
20			COM09462	COM09045
25			COM09051	
30			COM09057	

## 460/60/3

Capacity (Tons)	R22	R134-A, R404-A, R407-C	R410-A	R410-A
6	COM08295	COM08327		
7.5	COM08289	COM08332	COM09846	
8	COM08307	COM08336		
9	COM08291	COM08341	COM09121	
9	COM06426	COM07253		
10	COM08293	COM08347	COM09857	
10	COM06430	COM07257		
12.5	COM08365	COM09740		
14	COM06434	COM07556	COM09871	COM09443
15	COM06438	COM07558	COM09868	COM09171
20			COM09463	COM09839
25			COM09841	
30			COM09843	

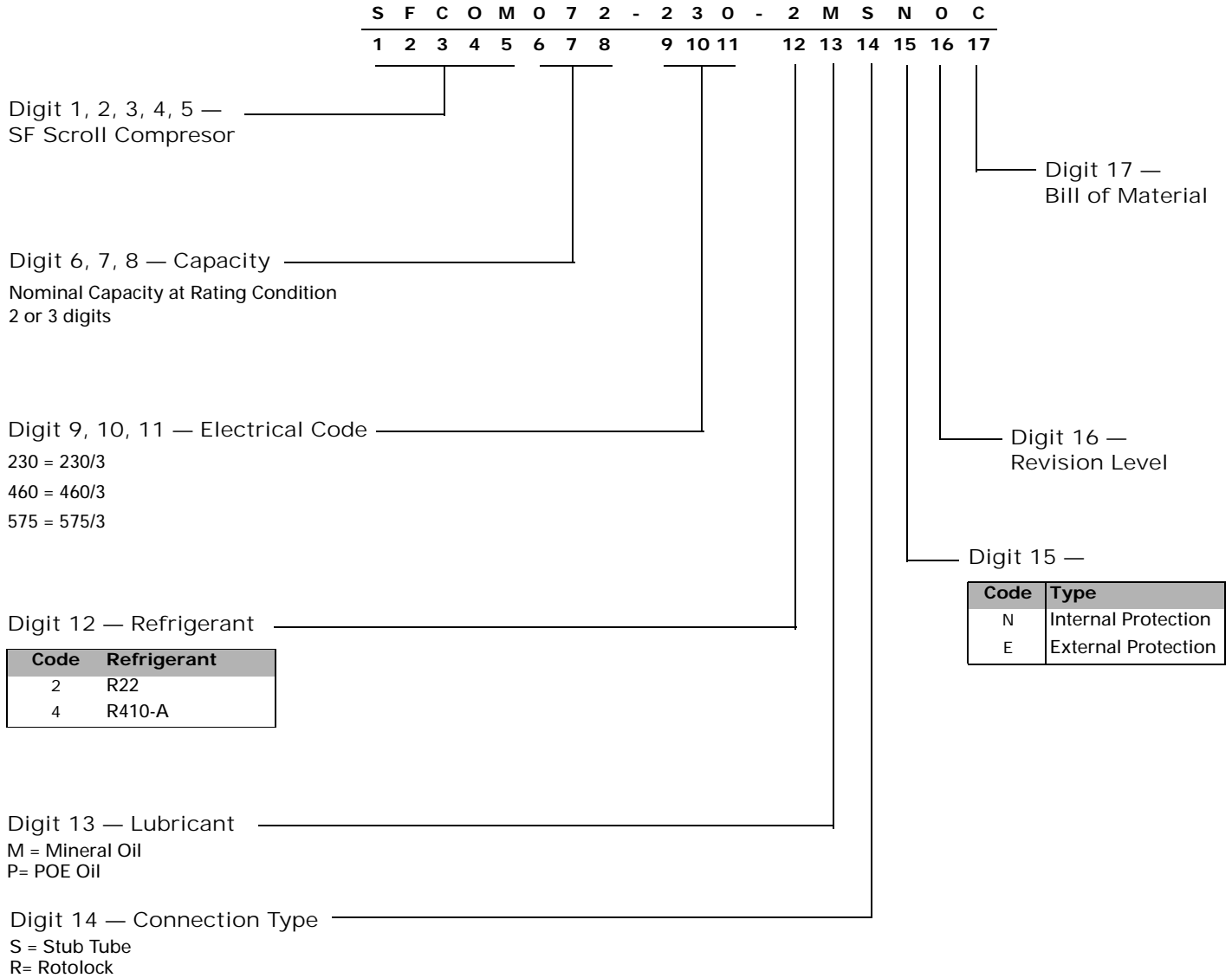
**575/60/3**

Capacity (Tons)	R22	R134-A, R404-A, R407-C	R410-A	R410-A
6	COM08296	COM08328		
7.5	COM08303	COM08333	COM09847	
8	COM08308	COM08337		
9	COM08315	COM08342	COM09123	
9	COM06427	COM09737		
10	COM08323	COM08350	COM09858	
10	COM06431	COM08010		
12.5	COM08366			
14	COM06435	COM09738	COM09872	COM09445
15	COM06439	COM08011	COM09869	COM09173
20			COM09465	COM09840
25			COM09842	
30			COM09844	



# SF Model Number Nomenclature

\*SF Compressors available April 2016







# SF Compressors

R22 scrolls with Mineral Oil and Stub Tube connections

\*SF Compressors available April 2016

Voltage	COM #	Model #	Tonnage	BTU	Shell Diameter	Suction Diameter	Discharge Diameter	Baseplate Footprint
230-3	SFCOM072-23020C	SFCOM072-230-2MSNOC	6	71,780	8.4"	1-1/8"	5/8"	8.5" x 8.5"
	SFCOM084-23020C	SFCOM084-230-2MSNOC	7	87,300	8.4"	1-1/8"	5/8"	8.5" x 8.5"
	SFCOM096-23020C	SFCOM096-230-2MSNOC	8	97,000	9"	1-3/8"	7/8"	8.5" x 8.5"
	SFCOM108-23020C	SFCOM108-230-2MSNOC	9	113,975	9"	1-3/8"	7/8"	8.5" x 8.5"
	SFCOM110-23020A	SFCOM110-230-2MSNOA	9	113,975	10"	1-3/8"	7/8"	8.5" x 12"
	SFCOM120-23020C	SFCOM120-230-2MSNOC	10	121,250	9"	1-3/8"	7/8"	8.5" x 8.5"
	SFCOM125-23020A	SFCOM125-230-2MSNOA	10	121,250	10"	1-3/8"	7/8"	8.5" x 12"
	SFCOM144-23020A	SFCOM144-230-2MSNOA	12.5	148,895	12.5"	1-5/8"	1-1/8"	11" x 12"
	SFCOM168-23020A	SFCOM168-230-2MSNOA	14	168,780	12.5"	1-5/8"	1-1/8"	11" x 12"
	SFCOM180-23020A	SFCOM180-230-2MSNOA	15	179,450	12.5"	1-5/8"	1-1/8"	11" x 12"

460-3	SFCOM072-46020C	SFCOM072-460-2MSNOC	6	71,780	8.4"	1-1/8"	5/8"	8.5" x 8.5"
	SFCOM084-46020C	SFCOM084-460-2MSNOC	7	87,300	8.4"	1-1/8"	5/8"	8.5" x 8.5"
	SFCOM096-46020C	SFCOM096-460-2MSNOC	8	97,000	9"	1-3/8"	7/8"	8.5" x 8.5"
	SFCOM108-46020C	SFCOM108-460-2MSNOC	9	113,975	9"	1-3/8"	7/8"	8.5" x 8.5"
	SFCOM110-46020A	SFCOM110-460-2MSNOA	9	113,975	10"	1-3/8"	7/8"	8.5" x 12"
	SFCOM120-46020C	SFCOM120-460-2MSNOC	10	121,250	9"	1-3/8"	7/8"	8.5" x 8.5"
	SFCOM125-46020A	SFCOM125-460-2MSNOA	10	121,250	10"	1-3/8"	7/8"	8.5" x 12"
	SFCOM144-46020A	SFCOM144-460-2MSNOA	12.5	148,895	12.5"	1-5/8"	1-1/8"	11" x 12"
	SFCOM168-46020A	SFCOM168-460-2MSNOA	14	168,780	12.5"	1-5/8"	1-1/8"	11" x 12"
	SFCOM180-46020A	SFCOM180-460-2MSNOA	15	179,450	12.5"	1-5/8"	1-1/8"	11" x 12"

575-3	SFCOM072-57520C	SFCOM072-575-2MSNOC	6	71,780	8.4"	1-1/8"	5/8"	8.5" x 8.5"
	SFCOM084-57520C	SFCOM084-575-2MSNOC	7	87,300	8.4"	1-1/8"	5/8"	8.5" x 8.5"
	SFCOM096-57520C	SFCOM096-575-2MSNOC	8	97,000	9"	1-3/8"	7/8"	8.5" x 8.5"
	SFCOM108-57520C	SFCOM108-575-2MSNOC	9	113,975	9"	1-3/8"	7/8"	8.5" x 8.5"
	SFCOM110-57520A	SFCOM110-575-2MSNOA	9	113,975	10"	1-3/8"	7/8"	8.5" x 12"
	SFCOM120-57520C	SFCOM120-575-2MSNOC	10	121,250	9"	1-3/8"	7/8"	8.5" x 8.5"
	SFCOM125-57520A	SFCOM125-575-2MSNOA	10	121,250	10"	1-3/8"	7/8"	8.5" x 12"
	SFCOM144-57520A	SFCOM144-575-2MSNOA	12.5	148,895	12.5"	1-5/8"	1-1/8"	11" x 12"
	SFCOM168-57520A	SFCOM168-575-2MSNOA	14	168,780	12.5"	1-5/8"	1-1/8"	11" x 12"
	SFCOM180-57520A	SFCOM180-575-2MSNOA	15	179,450	12.5"	1-5/8"	1-1/8"	11" x 12"



# Copeland Model Number Nomenclature

**Z R 1 2 0 K 5 E - T F D - 8 0 0**  
**1 2 3 4 5 6 7 8 9 10 11 12 13 14 15**

Digit 1 — Family Series

Z = Scroll  
C = Reciprocating

Digit 2 — Refrigerant

Code	Refrigerant
P	R-410A
R	R22/R407-C

Digit 3 — Modulation (optional)

T=Even Tandum  
D= Digital

Digit 4, 5, 6 — Capacity

Nominal Capacity at Rating Condition  
2 or 3 digits

Digit 7 — Capacity Multiplier

K=1,000  
M=10,000

Digit 8 — Model Variation

1  
2  
3  
4  
5  
A

Digit 9 —

E= POE Oil

Digit 13,14,15 —  
Bill of Material Product  
Variation

- 800 - molded plug w/ power cable & mounting kit
- 830 - molded plug & mounting kit
- 855 - molded plug & mounting kit
- 930 - push on terminal block & mounting kit
- 950 - screw on terminal block & mounting kit
- 965 - Rotalock, screw on terminal block & mounting kit
- 965 - Rotalock, 24V module & mounting kit
- 966 - Rotalock, 115/240V module & mounting kit

Digit 12 —  
Typical Electrical Codes

Code	60 Hz	50 Hz
V	208-230/1	---
5	200-230/3	200-230/3
C	208-230/3	200/3
D	460/3	380-420/3
E	575/3	---
W	---	200-220/3
7	380/3	---
J	265/1	220-240/1
M	---	380-420/3
Q	265/1	---

Digit 11 — Motor Protection

Code	Type
F	Internal Protection
W or E	External Protection

Digit 10 — Motor Types

Code	Phase
P	1
T	3

# Copeland R-22

PFV: 208-230V / 60 / 1

R22 Copeland Model #	COM #	Tonnage	BTU	Shell Diam.	Crankcase Heater	Suction Diam.	Discharge Diam.	Start Cap MFD/Volts	MNE Start Cap	Run Cap MFD/ Volts	MNE Run cap	MNE Relay
ZR18K5E-PFV-800	COM11262	1.5	18,000	5.5"	HTR14969	3/4"	1/2"	88/330	CPT00086	30/370	CPT00202	RLY03393
ZR21K5E-PFV-800	COM11263	1.75	21,000	5.5"	HTR14969	3/4"	1/2"	88/330	CPT00086	35/370	CPT00105	RLY03393
ZR25K5E-PFV-800	COM11165	2	25,300	5.5"	HTR14969	3/4"	1/2"	88/330	CPT00086	40/370	CPT00201	RLY03393
ZR28K5E-PFV-800	COM11264	2.25	28,400	5.5"	HTR14969	3/4"	1/2"	88/330	CPT00086	45/370	CPT00760	RLY03393
ZR32K5E-PFV-800	COM11166	2.5	32,600	5.5"	HTR14969	3/4"	1/2"	88/330	CPT00086	50/370	CPT00761	RLY03393
ZR38K5E-PFV-800	COM11167	3	38,000	6.5"	HTR14973	7/8"	1/2"	88/330	CPT00086	55/370	CPT00939	RLY03393
ZR42K5E-PFV-800	COM11168	3.5	42,200	6.5"	HTR14973	7/8"	1/2"	88/330	CPT00086	55/370	CPT00939	RLY03393
ZR48K5E-PFV-800	COM11169	4.0	48,200	6.5"	HTR14973	7/8"	1/2"	88/330	CPT00086	60/440	CPT00780	RLY03393
ZR54K5E-PFV-800	COM11290	4.5	53,500	6.5"	HTR14973	7/8"	1/2"	88/330	CPT00086	80/370	CPT00937	RLY03393
ZR57K3E-PFV-930	COM11170	4.75	58,000	7.3"	HTR14977	7/8"	1/2"	270-324/330	CPT01156	80/370	CPT00937	RLY03393
ZR61K3E-PFV-930	COM11171	5	62,000	7.3"	HTR14977	7/8"	1/2"	270-324/330	CPT01156	80/370	CPT00937	RLY03393
ZR68KCE-PFV-950	COM11293	5.5	68,000	7.3"	HTR14977	7/8"	1/2"					



## Copeland R-22

### TF5: 200-230V / 60 / 3

R22 Copeland Model #	COM #	Tonnage	BTU	Shell Diameter	Crankcase Heater	Suction Diameter	Discharge Diameter	Suction Rotolock Thread Size	Discharge Rotolock Thread Size
ZR25K5E-TF5-800	COM11294	2	25,300	5.5"	HTR14969	3/4"	1/2"		
ZR28K5E-TF5-800	COM11295	2.25	28,400	5.5"	HTR14969	3/4"	1/2"		
ZR32K5E-TF5-800	COM11296	2.5	32,600	5.5"	HTR14969	3/4"	1/2"		
ZR38K5E-TF5-800	COM11297	3	38,000	6.5"	HTR14973	7/8"	1/2"		
ZR42K5E-TF5-800	COM11298	3.5	42,200	6.5"	HTR14973	7/8"	1/2"		
ZR48K5E-TF5-800	COM11172	4	48,200	6.5"	HTR14973	7/8"	1/2"		
ZR54K5E-TF5-800	COM11299	4.5	53,500	6.5"	HTR14973	7/8"	1/2"		
ZR57K3E-TF5-930	COM11173	4.75	58,000	7.3"	HTR14977	7/8"	1/2"		
ZR61K3E-TF5-930	COM11174	5	62,000	7.3"	HTR14977	7/8"	1/2"		
ZR68KCE-TF5-930	COM08728	5.5	68,000	7.3"	HTR14977	7/8"	1/2"		
ZR72KCE-TF5-950	COM11175	6	73,500	7.3"	HTR14977	7/8"	1/2"		
ZR81KCE-TF5-950	COM07363	6.75	82,000	7.3"	HTR14977	7/8"	3/4"		
ZR84KCE-TF5-950	COM11303	7	84,000	9.14"	HTR14980	1-1/8"	7/8"		
ZR94-KCE-TF5-950	COM11176	8	94,000	9.14"	HTR14980	1-1/8"	7/8"		
ZR108KCE-TF5-950	COM08725	9	108,900	9.14"	HTR14980	1-3/8"	7/8"		
ZR125KCE-TF5-950	COM08727	10	126,400	9.14"	HTR14980	1-3/8"	7/8"		
ZR144KCE-TF5-950	COM11304	12	142,000	9.14"	HTR14980	1-3/8"	7/8"		
ZR190KCE-TE5-950	COM11483	15	181,000	9.14"	HTR14980	1-3/8"	7/8"		
ZR250KCE-TEC-951	COM11486	20	250,000	11.38"	HTR14984	1-5/8"	1-3/8"		
ZR300KCE-TEC-965	COM11488	25	293,000	13.03"	HTR14986			2.25"-12	1.75"-12

### TFD: 460V / 60 / 3

R22 Copeland Model #	COM #	Tonnage	BTU	Shell Diameter	Crankcase Heater	Suction Diameter	Discharge Diameter	Suction Rotolock Thread Size	Discharge Rotolock Thread Size
ZR25K5E-TFD-800	COM11309	2	25,300	5.5"	HTR14970	3/4"	1/2"		
ZR28K5E-TFD-800	COM11310	2.25	28,400	5.5"	HTR14970	3/4"	1/2"		
ZR32K5E-TFD-800	COM11311	2.5	32,600	5.5"	HTR14970	3/4"	1/2"		
ZR38K5E-TFD-800	COM11312	3	38,000	6.5"	HTR14974	7/8"	1/2"		
ZR42K5E-TFD-800	COM11313	3.5	42,200	6.5"	HTR14974	7/8"	1/2"		
ZR48K5E-TFD-800	COM11177	4	48,200	6.5"	HTR14974	7/8"	1/2"		
ZR54K5E-TFD-800	COM10632	4.5	53,500	6.5"	HTR14974	7/8"	1/2"		
ZR57K3E-TFD-930	COM11178	4.75	58,000	7.3"	HTR14978	7/8"	1/2"		
ZR61K3E-TFD-930	COM11179	5	62,000	7.3"	HTR14978	7/8"	1/2"		
ZR68KCE-TFD-930	COM11180	5.5	68,000	7.3"	HTR14978	7/8"	1/2"		
ZR72KCE-TFD-950	COM11181	6	73,500	7.3"	HTR14978	7/8"	1/2"		
ZR81KCE-TFD-950	COM07364	6.75	82,000	7.3"	HTR14978	7/8"	3/4"		
ZR84KCE-TFD-950	COM10923	7	84,000	9.14"	HTR14981	1-1/8"	7/8"		
ZR94KCE-TFD-950	COM11182	8	94,000	9.14"	HTR14981	1-1/8"	7/8"		
ZR108KCE-TFD-950	COM11317	9	108,900	9.14"	HTR14981	1-3/8"	7/8"		

**TFD: 460V / 60 / 3 (continued)**

R22 Copeland Model #	COM #	Tonnage	BTU	Shell Diameter	Crankcase Heater	Suction Diameter	Discharge Diameter	Suction Rotolock Thread Size	Discharge Rotolock Thread Size
ZR125KCE-TFD-950	COM08734	10	126,400	9.14"	HTR14981	1-3/8"	7/8"		
ZR144KCE-TFD-950	COM11183	12	142,000	9.14"	HTR14981	1-3/8"	7/8"		
ZR16M3E-TWD-961	COM11184	13	154,000	11.14"	HTR14983			1.75"-12	1.25"-12
ZR19M3E-TWD-961	COM11185	15	185,000	11.14"	HTR14983			2.25"-12	1.75"-12
ZR190KCE-TED-950	COM11484	15	181,000	9.14"	HTR14981	1-3/8"	7/8"		
ZR250KCE-TED-951	COM11487	20	250,000	11.38"	HTR14985	1-5/8"	1-3/8"		
ZR300KCE-TED-965	COM11489	25	293,000	13.03"	HTR14987			2.25"-12	1.75"-12
ZR380KCE-TED-965	COM09553	30	363,000	13.03"	HTR14987			2.25"-12	1.75"-12

**TFE: 575V / 60 / 3**

R22 Copeland Model #	COM #	Tonnage	BTU	Shell Diameter	Crankcase Heater	Suction Diameter	Discharge Diameter
ZR42K5E-TFE-800	COM11324	3.5	42,200	6.5"	HTR14975	7/8"	1/2"
ZR48K5E-TFE-800	COM11325	4	48,200	6.5"	HTR14975	7/8"	1/2"
ZR54K5E-TFE-800	COM11326	4.5	53,500	6.5"	HTR14975	7/8"	1/2"
ZR57K3E-TFE-930	COM11327	4.75	58,000	7.3"	HTR14979	7/8"	1/2"
ZR61K3E-TFE-930	COM11328	5	62,000	7.3"	HTR14979	7/8"	1/2"
ZR68KCE-TFE-930	COM11329	5.5	68,000	7.3"	HTR14979	7/8"	1/2"
ZR72KCE-TFE-930	COM11330	6	73,500	7.3"	HTR14979	7/8"	1/2"
ZR81KCE-TFE-950	COM11331	6.75	82,000	7.3"	HTR14979	7/8"	3/4"
ZR94KCE-TFE-950	COM11332	8	94,000	9.14"	HTR14982	1-1/8"	7/8"
ZR108KCE-TFE-950	COM11333	9	108,900	9.14"	HTR14982	1-3/8"	7/8"
ZR125KCE-TFE-950	COM11334	10	126,400	9.14"	HTR14982	1-3/8"	7/8"
ZR144KCE-TFE-950	COM11335	12	142,000	9.14"	HTR14982	1-3/8"	7/8"



# Copeland R410-A

## PFV: 208-230V / 60 / 1

R410-A Copeland Model #	COM #	Tonnage	BTU	Shell Diameter	Crankcase Heater	Suction Diameter	Discharge Diameter
ZP20K5E-PFV-830	COM09572	1.75	20,000	5.5"	HTR14968	3/4"	1/2"
ZP24K5E-PFV-830	COM09574	2	24,000	5.5"	HTR14968	3/4"	1/2"
ZP31K5E-PFV-830	COM10612	2.5	31,100	5.5"	HTR14968	3/4"	1/2"
ZP34K5E-PFV-830	COM09580	2.75	34,500	6.5"	HTR14972	7/8"	1/2"
ZP38K5E-PFV-830	COM11573	3	37,500	6.5"	HTR14972	7/8"	1/2"
ZP42K5E-PFV-830	COM11574	3.5	42,000	6.5"	HTR14972	7/8"	1/2"
ZP49K5E-PFV-830	COM11575	4	49,400	6.5"	HTR14972	7/8"	1/2"
ZP54K5E-PFV-830	COM10609	4.5	54,000	6.5"	HTR14972	7/8"	1/2"
ZP57K5E-PFV-830	COM10722	4.75	57,000	6.5"	HTR14972	7/8"	1/2"
ZP61K5E-PFV-830	COM11477	5	61,500	6.5"	HTR14972	7/8"	1/2"

## TF5: 200-230V / 60 / 3

R410-A Copeland Model #	COM #	Tonnage	BTU	Shell Diameter	Crankcase Heater	Suction Diameter	Discharge Diameter	Suction Rotolock Thread Size	Discharge Rotolock Thread Size
ZP20K5E-TF5-830	COM10624	1.75	20,000	5.5"	HTR14969	3/4"	1/2"		
ZP24K5E-TF5-830	COM11475	2	24,000	5.5"	HTR14969	3/4"	1/2"		
ZP31K5E-TF5-830	COM10618	2.5	31,100	5.5"	HTR14969	3/4"	1/2"		
ZP34K5E-TF5-830	COM09581	2.75	34,500	6.5"	HTR14973	7/8"	1/2"		
ZP38K5E-TF5-830	COM11577	3	37,500	6.5"	HTR14973	7/8"	1/2"		
ZP42K5E-TF5-830	COM11578	3.5	42,000	6.5"	HTR14973	7/8"	1/2"		
ZP49K5E-TF5-830	COM11579	4	49,400	6.5"	HTR14973	7/8"	1/2"		
ZP54K5E-TF5-830	COM10603	4.5	54,000	6.5"	HTR14973	7/8"	1/2"		
ZP57K5E-TF5-830	COM10723	4.75	57,000	6.5"	HTR14973	7/8"	1/2"		
ZP61K5E-TF5-830	COM11478	5	61,500	6.5"	HTR14973	7/8"	1/2"		
ZP72KCE-TF5-950	COM11580	6	72,000	7.3"	HTR14977	7/8"	1/2"		
ZP83KCE-TF5-950	COM09081	7	83,000	7.3"	HTR14977	7/8"	1/2"		
ZP90KCE-TF5-950	COM11581	8	90,500	9.14"	HTR14980	1-1/8"	7/8"		
ZP103KCE-TF5-950	COM08840	9	105,000	9.14"	HTR14980	1-3/8"	7/8"		
ZP120KCE-TF5-950	COM08831	10	123,000	9.14"	HTR14980	1-3/8"	7/8"		
ZP137KCE-TF5-950	COM08849	11	135,000	9.14"	HTR14980	1-3/8"	7/8"		
ZP154KCE-TE5-950	COM11801	13	155,000	9.14"	HTR14980	1-3/8"	7/8"		
ZP182KCE-TE5-950	COM11480	15	183,000	9.14"	HTR14980	1-3/8"	7/8"		
ZP235KCE-TEC-951	COM11481	20	235,000	11.38"	HTR14984	1-5/8"	1-3/8"		
ZP285KCE-TEC-951	COM11587	24	278,000	13.03"	HTR14986	2-1/8"	1-3/8"		
ZP295KCE-TEC-951	COM11588	25	294,000	13.03"	HTR14986	1-5/8"	1-3/8"		
ZP385KCE-TEC-966	COM10882	32	385,000	13.03"	HTR14986			2.25"-12	1.75"-12



**Copeland R410-A**

**TFD: 460V / 60 / 3**

R410-A Copeland Model #	COM #	Tonnage	BTU	Shell Diameter	Crankcase Heater	Suction Diameter	Discharge Diameter	Suction Rotolock Thread Size	Discharge Rotolock Thread Size
ZP20K5E-TFD-830	COM10617	1.75	20,000	5.5"	HTR14970	3/4"	1/2"		
ZP24K5E-TFD-830	COM11476	2	24,000	5.5"	HTR14970	3/4"	1/2"		
ZP31K5E-TFD-830	COM10633	2.5	31,100	5.5"	HTR14970	3/4"	1/2"		
ZP34K5E-TFD-830	COM09582	2.75	34,500	6.5"	HTR14974	7/8"	1/2"		
ZP38K5E-TFD-830	COM11582	3	37,500	6.5"	HTR14974	7/8"	1/2"		
ZP42K5E-TFD-830	COM11583	3.5	42,000	6.5"	HTR14974	7/8"	1/2"		
ZP49K5E-TFD-830	COM11584	4	49,400	6.5"	HTR14974	7/8"	1/2"		
ZP54K5E-TFD-830	COM10610	4.5	54,000	6.5"	HTR14974	7/8"	1/2"		
ZP57K5E-TFD-930	COM10595	4.75	57,000	6.5"	HTR14974	7/8"	1/2"		
ZP61K5E-TFD-930	COM11479	5	61,500	6.5"	HTR14974	7/8"	1/2"		
ZP72KCE-TFD-950	COM11585	6	72,000	7.3"	HTR14978	7/8"	1/2"		
ZP83KCE-TFD-950	COM09082	7	83,000	7.3"	HTR14978	7/8"	1/2"		
ZP90KCE-TFD-950	COM08991	8	90,500	9.14"	HTR14981	1-1/8"	7/8"		
ZP103KCE-TFD-950	COM08841	9	105,000	9.14"	HTR14981	1-3/8"	7/8"		
ZP120KCE-TFD-950	COM08844	10	123,000	9.14"	HTR14981	1-3/8"	7/8"		
ZP137KCE-TFD-950	COM08850	11	135,000	9.14"	HTR14981	1-3/8"	7/8"		
ZP154KCE-TED-950	COM11804	13	155,000	9.14"	HTR14981	1-3/8"	7/8"		
ZP182KCE-TED-965	COM11482	15	183,000	9.14"	HTR14981			1.75"-12	1.25"-12
ZP235KCE-TED-951	COM11589	20	235,000	11.38"	HTR14985	1-5/8"	1-3/8"		
ZP285KCE-TED-951	COM11590	24	278,000	13.03"	HTR14987	2-1/8"	1-3/8"		
ZP295KCE-TED-951	COM11591	25	294,000	13.03"	HTR14987	1-5/8"	1-3/8"		
ZP385KCE-TED-966	COM11538	32	385,000	13.03"	HTR14987			2.25"-12	1.75"-12

**TFE: 575V / 60 / 3**

R410-A Copeland Model #	COM #	Tonnage	BTU	Shell Diameter	Crankcase Heater	Suction Diameter	Discharge Diameter
ZP31K5E-TFE-830	COM10638	2.5"	31,100	5.5"	HTR14971	3/4"	1/2"
ZP54K5E-TFE-830	COM10625	4.5"	54,000	6.5"	HTR14975	7/8"	1/2"
ZP57K5E-TFE-830	COM10620	4.75"	57,000	6.5"	HTR14975	7/8"	1/2"
ZP83KCE-TFE-950	COM09083	7"	83,000	7.3"	HTR14979	7/8"	1/2"
ZP103KCE-TFE-950	COM08842	9"	105,000	9.14"	HTR14982	1-3/8"	7/8"
ZP120KCE-TFE-950	COM08833	10"	123,000	9.14"	HTR14982	1-3/8"	7/8"
ZP137KCE-TFE-950	COM08851	11"	135,000	9.14"	HTR14982	1-3/8"	7/8"
ZP154KCE-TEE-950	COM11807	13"	155,000	9.14"	HTR14982	1-3/8"	7/8"



# Copeland Accessories

## Rotolocks

### Stub Tube Compressor to Rotolock

Mne	
KIT16852	KIT; STUB TUBE COMPRESSOR TO ROTOLOCK; 3/8 IN STUB TUBE SIZE; 1.00-14 ROTOLOCK THREAD SIZE
KIT16853	KIT; STUB TUBE COMPRESSOR TO ROTOLOCK; 1/2 IN STUB TUBE SIZE; 1.00-14 ROTOLOCK THREAD SIZE
KIT16854	KIT; STUB TUBE COMPRESSOR TO ROTOLOCK; 5/8 IN STUB TUBE SIZE; 1.00-14 ROTOLOCK THREAD SIZE
KIT16855	KIT; STUB TUBE COMPRESSOR TO ROTOLOCK; 3/4 IN STUB TUBE SIZE; 1.25-12 ROTOLOCK THREAD SIZE
KIT16856	KIT; STUB TUBE COMPRESSOR TO ROTOLOCK; 7/8 IN STUB TUBE SIZE; 1.25-12 ROTOLOCK THREAD SIZE
KIT16857	KIT; STUB TUBE COMPRESSOR TO ROTOLOCK; 1-1/8 IN STUB TUBE SIZE; 1.75-12 ROTOLOCK THREAD SIZE
KIT16858	KIT; STUB TUBE COMPRESSOR TO ROTOLOCK; 1-3/8 IN STUB TUBE SIZE; 1.75-12 ROTOLOCK THREAD SIZE
KIT16859	KIT; STUB TUBE COMPRESSOR TO ROTOLOCK; 1-5/8 IN STUB TUBE SIZE; 2.25-12 ROTOLOCK THREAD SIZE

### Rotolock Compressor to Stub Tube

Mne	
KIT01159	KIT; ROTOLOCK COMPRESSOR TO BRAZED; 1.00-14 THREAD SIZE ; 1/2 IN TUBE SIZE
KIT01161	KIT; ROTOLOCK COMPRESSOR TO BRAZED; 1.00-14 THREAD SIZE ; 5/8 IN TUBE SIZE
KIT01164	KIT; ROTOLOCK COMPRESSOR TO BRAZED; 1.25-12 THREAD SIZE ; 3/4 IN TUBE SIZE
KIT01165	KIT; ROTOLOCK COMPRESSOR TO BRAZED; 1.25-12 THREAD SIZE ; 7/8 IN TUBE SIZE
KIT16848	KIT; ROTOLOCK COMPRESSOR TO BRAZED; 1.25-12 THREAD SIZE ; 1-1/8 IN TUBE SIZE
KIT01170	KIT; ROTOLOCK COMPRESSOR TO BRAZED; 1.75-12 THREAD SIZE ; 1-1/8 IN TUBE SIZE
KIT16849	KIT; ROTOLOCK COMPRESSOR TO BRAZED; 1.75-12 THREAD SIZE ; 1-3/8 IN TUBE SIZE
KIT16850	KIT; ROTOLOCK COMPRESSOR TO BRAZED; 2.25-12 THREAD SIZE ; 1-3/8 IN TUBE SIZE
KIT16851	KIT; ROTOLOCK COMPRESSOR TO BRAZED; 2.25-12 THREAD SIZE ; 1-5/8 IN TUBE SIZE

## Oil

OIL00196	POE Oil
OIL00094	POE Oil
OIL00027	Mineral Oil

## Crank Case Heaters

Volts	Mne	Watts	Compressor Shell Diameter	Lead Length	Copeland Models
120V	HTR14968	40W	5.5"	48"	ZR16K5E - ZR32K5E ZP14K5E - ZP31K5E
	HTR14972		6.5"		ZR38K5E - ZR54K5E ZP34K5E - ZP61K5E
	HTR14976	70W	7.3"		ZR57K3E - ZR61K3E ZR61KCE - ZR81KCE ZP61KCE - ZP83KCE



Volts	Mne	Watts	Compressor Shell Diameter	Lead Length	Copeland Models
240V	HTR14969	40W	5.5"	48"	ZR16K5E - ZR32K5E ZP14K5E - ZP31K5E
	HTR14973		6.5"		ZR38K5E - ZR54K5E ZP34K5E - ZP61K5E
	HTR14977	70W	7.3"		ZR57K3E - ZR61K3E ZR61KCE - ZR81KCE ZP61KCE - ZP83KCE
	HTR14980	90W	9.14"		ZR84KCE - ZR190KCE ZP90KCE - ZP182KCE
	HTR14984	120W	11.38"	28"	ZR250KCE
	HTR14986	150W	13.03"		ZR300KCE - ZR380KCE ZP385KCE

Volts	Mne	Watts	Compressor Shell Diameter	Lead Length	Copeland Models
480V	HTR14970	40W	5.5"	48"	ZR16K5E - ZR32K5E ZP14K5E - ZP31K5E
	HTR14974		6.5"		ZR38K5E - ZR54K5E ZP34K5E - ZP61K5E
	HTR14978	70W	7.3"		ZR57K3E - ZR61K3E ZR61KCE - ZR81KCE ZP61KCE - ZP83KCE
	HTR14981	90W	9.14"		ZR84KCE - ZR190KCE ZP90KCE - ZP182KCE
	HTR14983	70W	11.14"	28"	ZR11M3E - ZR19M3E
	HTR14985	120W	11.38"		ZR250KCE
	HTR14987	150W	13.03"		ZR300KCE - ZR380KCE ZP385KCE

Volts	Mne	Watts	Compressor Shell Diameter	Lead Length	Copeland Models
575V	HTR14971	40W	5.5"	48"	ZR16K5E - ZR32K5E ZP14K5E - ZP31K5E
	HTR14975		6.5"		ZR38K5E - ZR54K5E ZP34K5E - ZP61K5E
	HTR14979	70W	7.3"		ZR57K3E - ZR61K3E ZR61KCE - ZR81KCE ZP61KCE - ZP83KCE
	HTR14982	90W	9.14"		ZR84KCE - ZR190KCE ZP90KCE - ZP182KCE



# Danfoss Model Number Nomenclature

**S M    1 1 5    S    4    C    C**  
**1 2    3 4 5    6    7    8    9**

Digit 1, 2 — Refrigerant and Lubricant  
 SM = R-22, Mineral oil

Digit 3, 4, 5 — Nominal Capacity  
 Nominal Capacity in thousand Btu/h at 60 Hz,  
 ARI conditions

Digit 7 — Motor Voltage Code

3	200-230V/3~/60Hz
4	380-400V/3~/50HZ and 460V/3 /60Hz

Digit 8 —

Digit 9 — Evolution Index

Version	Motor protection module	Connection	Applies to
V	Internal overload protector	brazed	090
C	Internal thermostat, external protector needed		115, 125, 160, 175, 185
Q			



# Danfoss R22 scrolls

Voltage	Danfoss Part #	COM #	Tonnage	BTU	Shell Diameter	Suction Diameter	Discharge Diameter	Suction Rotolock	Discharge Rotolock	Baseplate Footprint
230-3	SM090-3VI	COM10205	7.5	90,000	10"	1-1/8"	3/4"			8.66" x 8.66"
	SM100-3VI	COM11158	8	94,000	10"	1-1/8"	3/4"			8.66" x 8.66"
	SM110-3VI	COM11159	9	107,800	10"	1-3/8"	7/8"			8.66" x 8.66"
	SM115-3QAI	COM08952	9	115,215	10"	1-3/8"	7/8"			8.5" x 12"
	SM120-3VI	COM11160	10	125,300	10"	1-3/8"	7/8"			8.66" x 8.66"
	SM125-3QAI	COM08954	10	126,423	10"	1-3/8"	7/8"			8.5" x 12"
	SM160-3CBI	COM09320	12.5	163,008	10.5"	1-5/8"	1-1/8"			8.5" x 12"
	SM175-3QAI	COM08956	14	174,355	12.5"	1-5/8"	1-1/8"			11" x 12"
	SM185-3QAI	COM08958	15	185,474	12.5"	1-5/8"	1-1/8"			11" x 12"

460-3	SM084-4VI	COM11161	7	84,000	10"	1-1/8"	3/4"			8.66" x 8.66"
	SM090S4VC	COM09276	7.5	90,000	10"	1-1/8"	3/4"			8.66" x 8.66"
	SM100-4VI	COM11162	8	94,000	10"	1-1/8"	3/4"			8.66" x 8.66"
	SM110-4VI	COM11163	9	107,800	10"	1-3/8"	7/8"			8.66" x 8.66"
	SM115-4QAI	COM08953	9	115,215	10"	1-3/8"	7/8"			8.5" x 12"
	SM115-4RI	COM09831	9	115,215	10"			1-3/4"	1-1/4"	8.5" x 12"
	SM120-4VI	COM11164	10	125,300	10"	1-3/8"	7/8"			8.66" x 8.66"
	SM125-4QAI	COM08955	10	126,423	10"	1-3/8"	7/8"			8.5" x 12"
	SM160-4CBI	COM09639	12.5	163,008	10.5"	1-5/8"	1-1/8"			8.5" x 12"
	SM160-4RAI	COM09356	12.5	163,008	10.5"			2-1/4"	1-3/4"	8.5" x 12"
	SM175-4QAI	COM08957	14	174,355	12.5"	1-5/8"	1-1/8"			11" x 12"
	SM185-4QAI	COM08959	15	185,474	12.5"	1-5/8"	1-1/8"			11" x 12"
	SM185S4RC	COM10016	15	185,474	12.5"			2-1/4"	1-3/4"	11" x 12"



Trane optimizes the performance of homes and buildings around the world. A business of Ingersoll Rand, the leader in creating and sustaining safe, comfortable and energy efficient environments, Trane offers a broad portfolio of advanced controls and HVAC systems, comprehensive building services, and parts. For more information, visit [www.Trane.com](http://www.Trane.com).

Trane has a policy of continuous product and product data improvement and reserves the right to change design and specifications without notice.