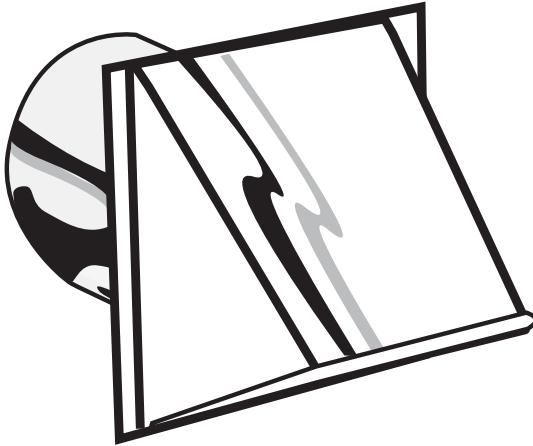


Aluminum Vents - all Aluminum with 3" (75 mm) tail piece, 4" (102mm), 5" (127mm), 6" (152mm), 7" (178mm) & 8" (203mm) dia.



DAHC4, DAHC5, DAHC6, DAHC7 & DAHC8

Model No.	Description	Color
DAHC4	4" dia. w/3" tail piece	Silver
DAHC5	5" dia. w/3" tail piece	Silver
DAHC6	6" dia. w/3" tail piece	Silver
DAHC7	7" dia. w/3" tail piece	Silver
DAHC8	8" dia. w/3" tail piece	Silver

### Performance Data

for aluminum vent hoods

#### Hood

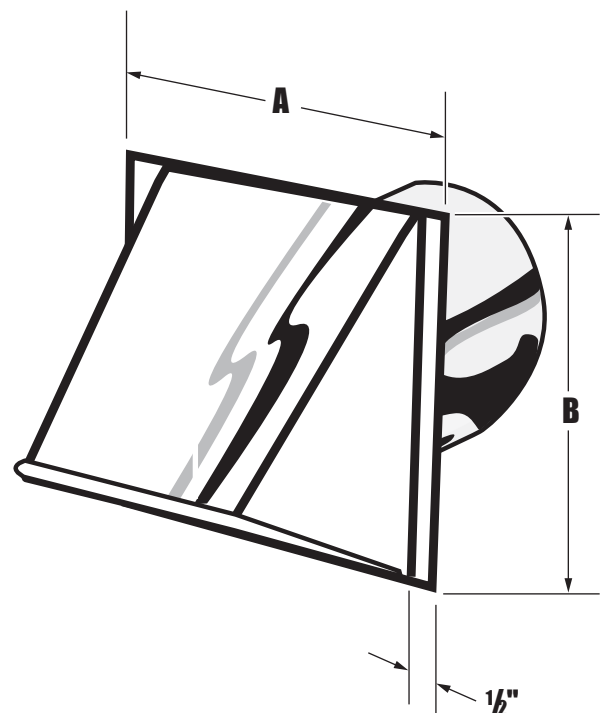
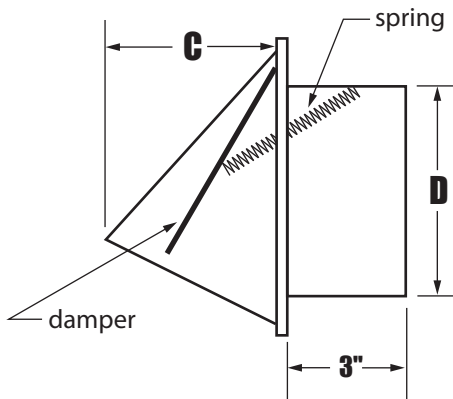
- aluminum
- aluminum spring loaded damper

#### Pipe

- aluminum

### General Information

- 4", 5", 6", 7" and 8" dia. aluminum vents
- light gauge most commonly used in general venting
- 3" metal tail piece for easy attachment of duct
- no screen - standard
- min fan specification of 40 cfm required to open the damper (door pressure)



Model No.	Free Air	A	B	C	D	
DAHC4	30 sq. inches	8"	9 1/2"	4 3/8"	4"	.014"-.016" Alum.
DAHC5	30 sq. inches	8"	9 1/2"	4 3/8"	5"	.014"-.016" Alum.
DAHC6	30 sq. inches	8"	9 1/2"	4 3/8"	6"	.016"-.020" Alum.
DAHC7	38.25 sq. inches	10"	11"	4"	7"	.016"-.020" Alum.
DAHC8	39 sq. inches	10"	11"	4"	8"	.016"-.020" Alum.