

P Series

SUBMITTAL DATA SHEET

DHP09NWB21S/DHP09CSB21S

9,000 BTU/H Wall Mounted Heat Pump System

Job Name:

Location:

Purchaser:

Order No.:

Engineer:

Submitted To:

For:

Ref:

Approval:

Construction:

Submitted By:

Date:

Unit Designation:

Schedule No.:

Model No.:

FEATURES

- Compact and Quiet Design
- High Efficiency DC Inverter Technology
- Wireless Remote with LCD Display
- Low Ambient Cool to 0 deg F
- Vertical Swing Louver



DRCPX
(Standard)



CS532AH
(Optional)



DHP09NWB21S



DHP09CSB21S

ACCESSORIES

- Wired Controller DWCPX2
- Wired Controller DWUNI
- Wi-Fi Module CS532AH



DWUNI
(Optional)



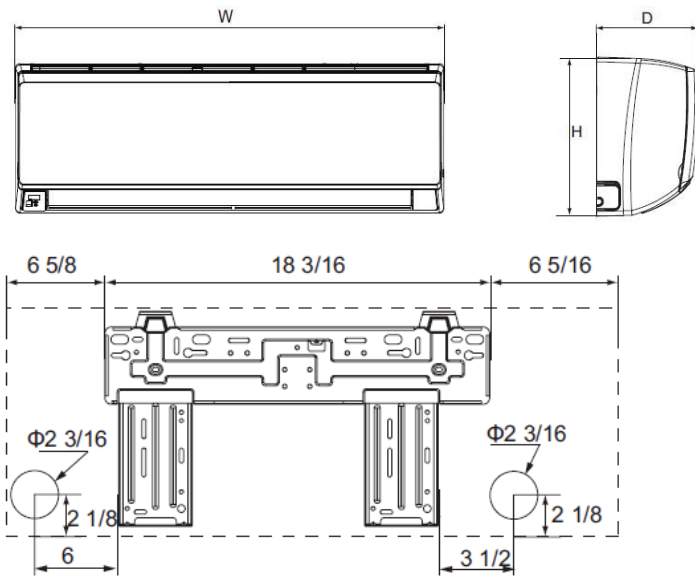
DWCPX2
(Optional)

System Rating		
System Type		Heat Pump
Rated Cooling Capacity	Btu/h	9,000
Cooling Capacity (Min-Max)	Btu/h	3,100-9,600
Rated Heating Capacity	Btu/h	9,500
Heating Capacity (Min-Max)	Btu/h	3,100-12,000
EER		10
SEER		16
HSPF		9
Rated Voltage	V-PH-Hz	208/230-1-60
Rated Cooling Current	Amps	4
Rated Heating Current	Amps	3.6
MCA	Amps	9
MOCP	Amps	15
Max. Total Piping Length	ft. (m)	50 (15)
Max. Piping Height	ft. (m)	33 (10)
Piping Connection - Liquid (O.D.)	in.	1/4
Piping Connection - Gas (O.D.)	in.	3/8
Indoor Model number		DHP09NWB21S
Set Temperature Range	°F (°C)	61~86 (16~30)
Airflow High to Low	CFM	318/288/241/171
Sound Pressure Level High to Low	dB(A)	42/38/34/28
Unit Dimension (WxDxH)	in. (mm)	31.10x11.37x7.87 (790x275x200)
Net Weight / Gross Weight	lbs (kg)	19.4/24.254 (9/11)
Outdoor Model number		DHP09CSB21S
Operation Range - Cool/Heat	°F (°C)	0~115 (-18~46)/ -4~75 (-20~24)
Refrigerant		R410A
Refrigerant Charge	oz (kg)	24.7 (0.7)
Unit Dimension (WxDxH)	in. (mm)	30.55x21.25x12.59 (776x540x320)
Net Weight / Gross Weight	lbs (kg)	65/70 (29/32)
Sound Pressure Level dB(A)	dB(A)	52

DHP09NWB21S/DHP09CSB21S

Unit: inch

Indoor Unit Dimensions

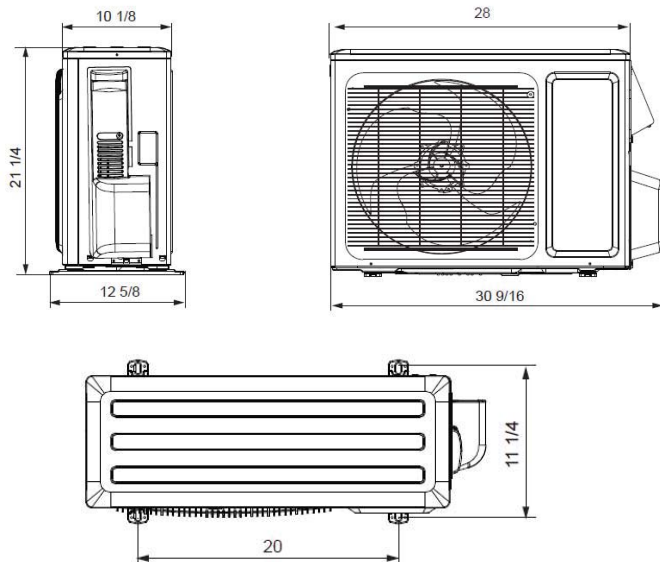


Dimensions	
W	31 1/8
H	10 7/8
D	7 7/8

Drain Connector	5/8-in OD
-----------------	-----------

Outdoor Unit Dimensions

Unit: inch



Notes:

1. Recommended cable type between Outdoor and Indoor Unit, 14-4 AWG Stranded Copper THHN 600V Wire
2. Power wiring cable size must comply with applicable national and local codes
3. Test conditions are based on AHRI 210/240

