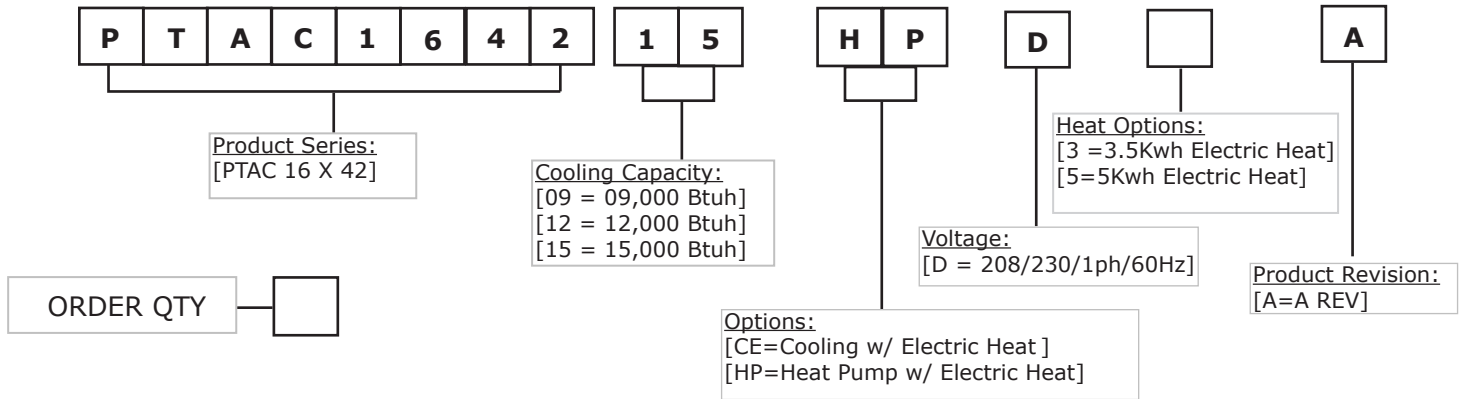


Specifications & Submittal

PTAC SERIES



FIELD INSTALLED ACCESSORIES		
Order QTY	Accessory	Part Number
	Wired Controller	17317100A01441
	Wall Sleeve PTAC 16x42	12020300A00011
	Aluminum Rear Grille	12020300A00080
	Louvered Grille	12020300A00061

PERFORMANCE DATA		
Power Supply	Ph-V-Hz	230/208V-,60Hz
Cooling		
Capacity	Btu/h	14700/14500
Input	Watts	1531/1510
Current	Amps	6.66/7.26
EER	Btu/w	9.6
Heating (Heat Pump)		
Capacity	Btu/h	13500/13200
Input	Watts	1323/1294
Current	Amps	5.74/6.2
COP	W/W	3.0
Heating (Electric)		
		3.5k 5k
Capacity	Btu/h	10900/8900 15000/12200
Input	Watts	3519/2850 4769/3953
Current	Amps	15.3/13.7 22/19.7
Minimum Circuit Ampacity	Amps	20 28



To: _____
 Date: _____
 From: _____
 Contact: _____

Project: _____
 Customer: _____
 Location: _____
 Engineer: _____
 Unit Tag# _____

For Your: Reference

Approval

PTAC SERIES Technical DATA - Continued

PERFORMANCE DATA - conti.

Compressor & Electrical			
Type	Rotary		
Input	1310		
Rated Current (RLA)	6.35		
Locked rotor Amp (LRA)	34.5		
Thermal Protector Position	N/A		
Connection Wiring	12AWGx3	12AWGx3	
Plug Type	LCDI 6-20P	LCDI 6-30P	
Thermostat Type	Unit Mounted Electronic Control		

SYSTEM DATA

Design Pressure	PSIG	540/300
Refrigerant Type	oz	R410A/37.04ozs
Application Area (Cooling EPA)	sq.ft.	550-700
Application Area (Cooling Standard)	m ²	20-29

UNIT DIMENSION

Dimension (W*D*H) (without wall sleeve)	inch	42x21x16
Packing (W*D*H)	inch	45x25.4x18.7
Net/Gross Weight	Kg	54.5/66
	lbs	120/145.5

INDOOR SIDE DATA

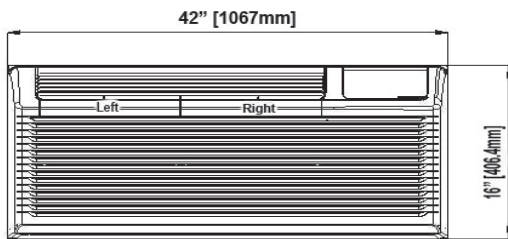
Indoor Side Fan Motor		
FLA / Output	Amps/Watts	0.155/21
Speed (Hi/Mi/Lo)	rpm	1110/1070/1040
Air Flow & Noise Level		
Indoor Side Air flow (Hi/Mi/Lo)	m ³ /h	740/690/670
Indoor Side Air flow (Hi/Mi/Lo)	CFM	423/405/394
Indoor Side Noise Level (Hi/Mi/Lo)	dB(A)	53/50/45

OUTDOOR SIDE DATA

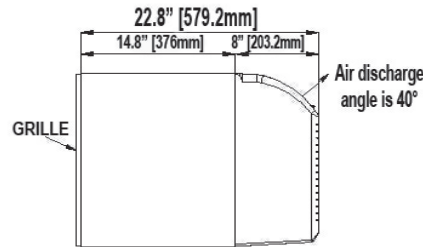
Outdoor Side Fan Motor		
FLA / Output	Amps/Watts	0.41/58
Speed	rpm	1590
Air Flow & Noise Level		
Outdoor Side Noise Level	dB(A)	66

OPERATION TEMPERATURE

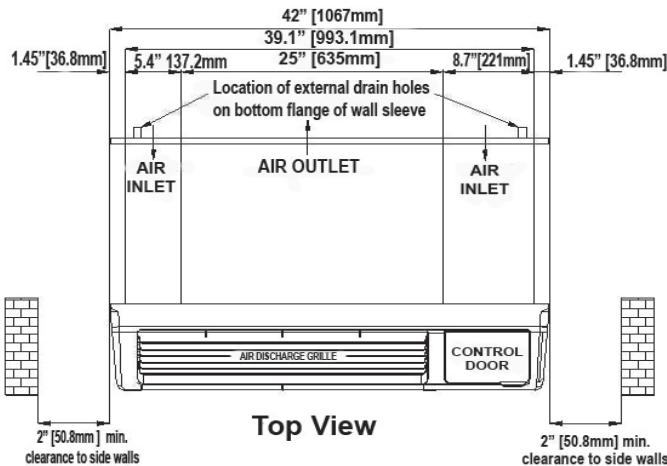
Indoor Cooling/Heating)	°C	17-32/0-27
	°F	62°F-90°F/32°F-80°F
Outdoor (Cooling/Heating)	°C	18-43/5-24
	°F	64°F-109°F/23°F-76°F



Front View



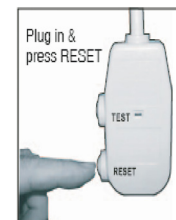
SIDE VIEW



Top View

Unit includes plug and cord:

Power Card			
Power Supply	230V,15A	230V,20A	230V,30A



NOTE: Some plugs have buttons on the top.

NOTICE: Due to ongoing product development; design, specification and performance data listed within this submittal document are subject to change without notice. For the most current unit/system performance data, please refer to the product literature on our website, www.enviromaster.com, or consult the factory.