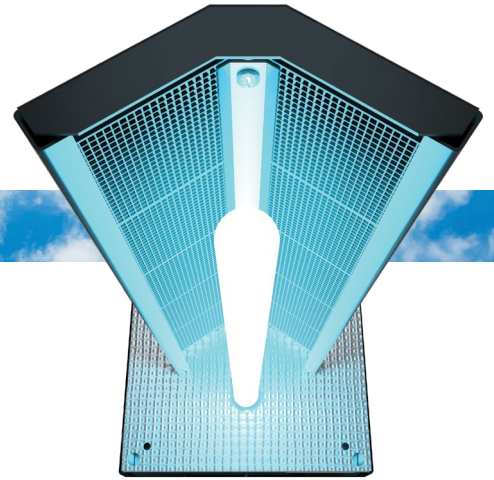


APCO-X

AIR TREATMENT SYSTEM



APCO-X is our most advanced whole-house air treatment system yet. It is the result of ten years of APCO development and has revolutionized indoor air quality with significantly improved performance, functionality, and reliability.

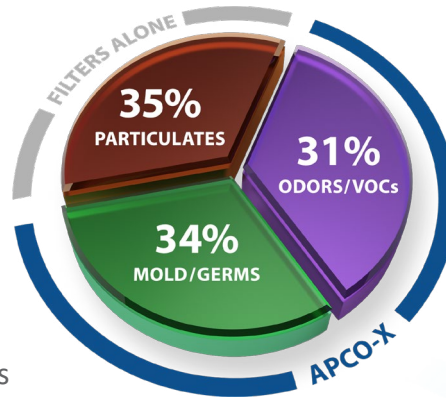
FEATURES

- 33% more effective than previous model in laboratory tests
- V-Twin carbon element with 65% more effective surface area
- EverCarbon™ cells with antimicrobial nanotechnology
- Face-plate rotates for 90° installation
- LED status and lamp fault indicator
- Translucent polycarbonate housing
- 3 year UV-C lamp

APCO-X features an entirely new V-Twin EverCarbon Matrix™ with an antimicrobial nanotech coating and 65% more effective carbon surface area. The result is a 33% improvement in performance compared to the original APCO.

THE OTHER TWO THIRDS

Conventional filters are only effective against particulates, like dust. Carbon UV is proven to safely reduce both VOCs and biological contaminants inside the air system and throughout the home.



Coil with UV Light



Coil with Mold

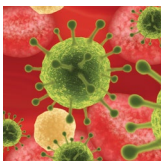
BENEFITS

- Whole-house air purification
- Neutralizes odors & toxic VOCs
- Kills viruses, mold, & bacteria
- Improves indoor air quality
- Inhibits HVAC mold growth

APCO-X

KILLS VIRUSES & NEUTRALIZES VOCs

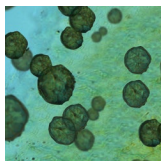
Reduce Microbes & Odor Causing VOCs



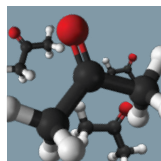
VIRUSES



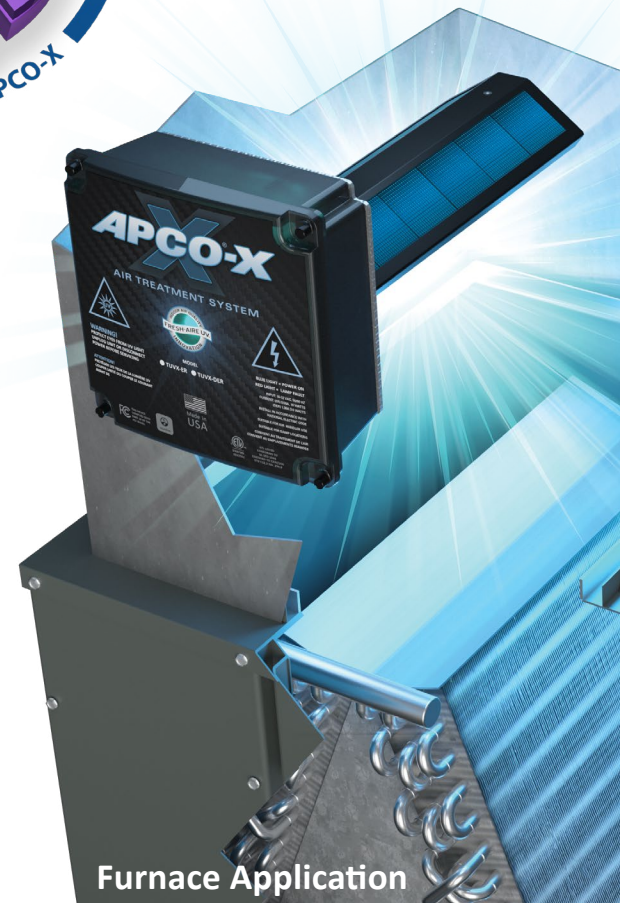
BACTERIA



MOLD



VOCs



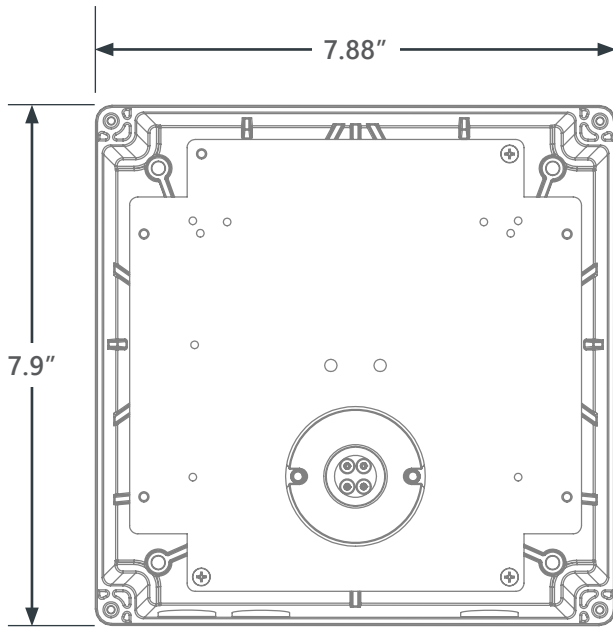
Furnace Application

APCO-X

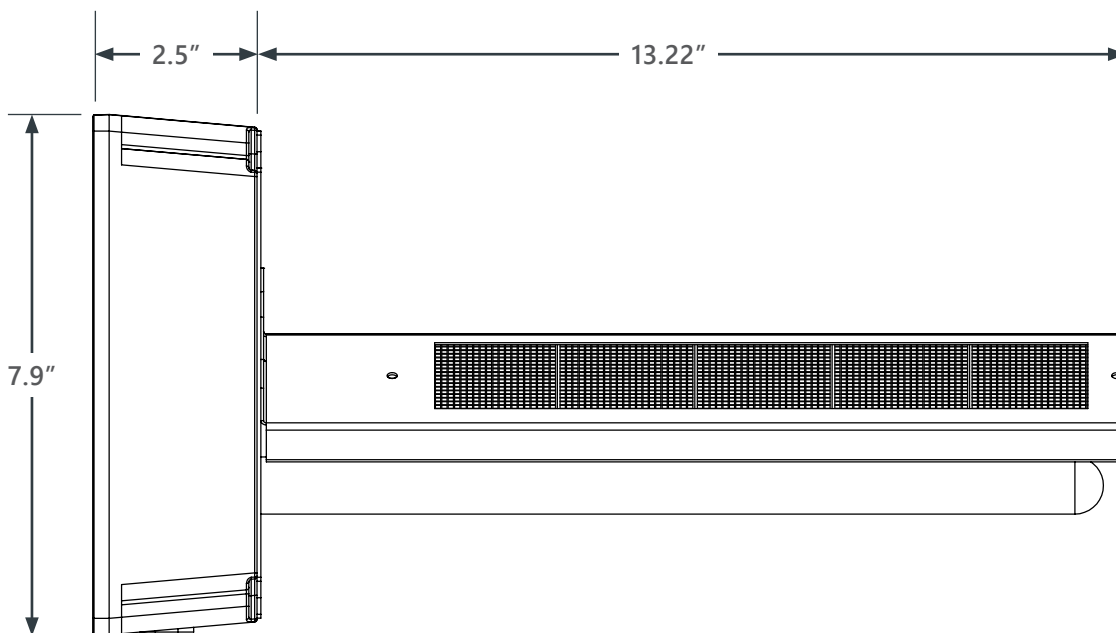
AIR TREATMENT SYSTEM



SPECS



APCO-X Specs		
UV Lamp	254 nm germicidal UV-C, quartz hot filament	
Dimensions	Cell & Lamp: 5.8"W x 3.25"H x 13.2"D Enclosure: 7.6"L x 7.6"W x 2.2"D	
ER models Electrical	18-32 VAC, 60 Hz, 0.68 Amps, 16 VA	
SI DI models Electrical	120-277 VAC, 50/60 Hz, 0.51 Amps/120V Thru 0.22 Amps/277V	
Pressure Drop	<0.01" w.c. @ 400 FPM	
Warranty	Lifetime for all parts except lamp	
Part Numbers		
18-32 VAC		Replacement Lamp
TUV-APCOX-ER3	3 Year Lamp	TUUVL-315
18-32 VAC with 2nd UV Lamp for Coil		Replacement Lamps
TUV-APCOX-DER3	3 Year Lamp (2)	TUUVL-315
120-277 VAC		Replacement Lamp
TUV-APCOX-SI3P	3 Year Lamp	TUUVL-315
120-277 VAC with 2nd UV Lamp for Coil		Replacement Lamps
TUV-APCOX-DI3P	3 Year Lamp (2)	TUUVL-315



EPA
Est. Reg. No.
075179-FL-002



WWW.FRESH-AIREUV.COM

SALES@FRESH-AIREUV.COM 800-741-1195

DESIGNED &
ASSEMBLED
IN THE U.S.A.

TUV-APCOX-SPECS 070921