

# **HIGH CAPACITY BASEBOARD**

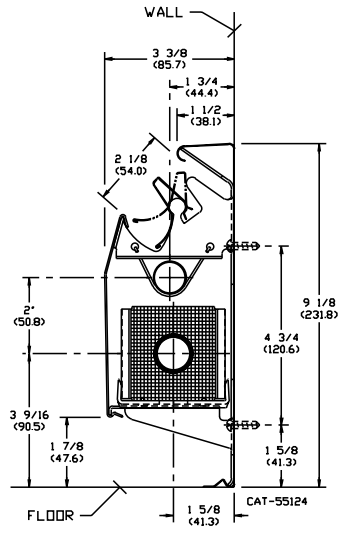


***FLOORLEVEL 1011***

***HydroTherm®***

# Floorlevel® Model 1011

## Dimensions



## Ratings

MODEL	GPM	AVERAGE HOT WATER TEMPERATURE °F - BTU/HR./LIN. FT.								
		140°	150°	160°	170°	180°	190°	200°	210°	220°
3/4"	4	470	560	650	750	850	940	1040	1140	1240
	1	445	530	620	710	800	890	980	1080	1170
1"	4	455	540	630	730	820	920	1010	1120	1220
	1	430	510	600	690	780	870	960	1060	1150

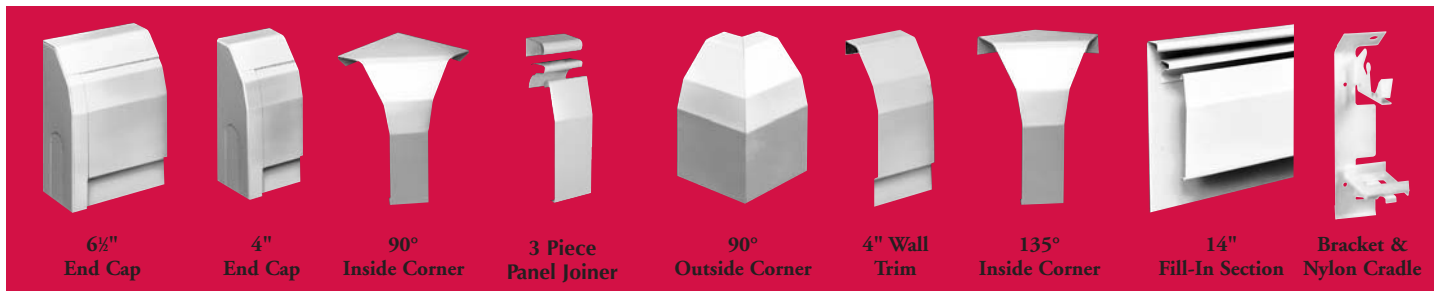
## Correction Factors

If the calculated water flow rate through a baseboard is greater than the standard flow rate (1 GPM), the rating of that unit may be increased by multiplying the standard water rating at 1 GPM by the factor shown for the actual flow rate. All ratings based on 65°F entering air temperature.

G.P.M.	Heat Factor	Pres. Drop. (Millinches/Ft.)	
		3/4" Element	1" Element
1.0	1.000	47	13
1.5	1.016	96	26
2.0	1.028	157	43
2.5	1.038	230	63
3.0	1.045	320	87

G.P.M.	Heat Output Factor	Pres. Drop. (Millinches/Ft.)	
		3/4" Element	1" Element
3.5	1.051	420	114
4.0	1.057	525	145
4.5	1.062	650	178
5.0	1.067	775	216
6.0	1.074	1060	290

## Accessories



## Packaging

COMPLETE UNIT (3/4" TUBE)	COMPLETE UNIT (1" TUBE)	ENCLOSURE ONLY	ELEMENT ONLY (3/4" TUBE)	ELEMENT ONLY (1" TUBE)	LENGTH	NO. OF ELEMENT BRACKETS
1011CU75-8	1011CU100-8	1011CO-8	1011-E75-8	1011-E100-8	8'	4
1011CU75-7	1011CU100-7	1011CO-7	1011-E75-7	1011-E100-7	7'	3
1011CU75-6	1011CU100-6	1011CO-6	1011-E75-6	1011-E100-6	6'	3
1011CU75-5	1011CU100-5	1011CO-5	1011-E75-5	1011-E100-5	5'	3
1011CU75-4	1011CU100-4	1011CO-4	1011-E75-4	1011-E100-4	4'	2
1011CU75-3	1011CU100-3	1011CO-3	1011-E75-3	1011-E100-3	3'	2
1011CU75-2	1011CU100-2	1011CO-2	1011-E75-2	1011-E100-2	2'	2

Standard assembly includes one length each of back panel, 18 GA. front panel, damper, 3/4" or 1" element, plus required support brackets and element slide cradles. Joining piece set included with lengths of 5', 6' and 8' assemblies.

## Standard Accessories

CATALOG NUMBER	DESCRIPTION	QTY.	CATALOG NUMBER	DESCRIPTION	QTY.	CATALOG NUMBER	DESCRIPTION	QTY.
1011-REC	4" Hinged End Cap, Right	12	1011-OC	90° Outside Corner	10	1011-BR	Support Bracket & Nylon Cradle	AO
1011-LEC	4" Hinged End Cap, Left	12	1011-OCB	135° Outside Corner	AO	1011-STH	Supply Tubing Lower Hanger	AO
1011-VECR	6 1/2" Hinged End Cap, Right	8	1011-WJ	4" Wall Trim To Floor	12	1011-RTH	Return Tubing Upper Hanger	AO
1011-VECL	6 1/2" Hinged End Cap, Left	8	1011-PJ3	2" Panel Joiner (3 pcs.)	24	1011-TUP	Touch-Up Spray Paint	6
1011-IC	90° Inside Corner	12	1011-FIS	14" Telescoping Ext. Set (3 pcs.)	AO	B-TUPL	Touch-Up Liquid Paint	6
1011-ICB	135° Inside Corner	AO				1011-ESC	Element Slide Cradle	12

NOTE: AO = Quantity As Ordered

260 North Elm Street  
Westfield, MA 01085  
tel. (413) 564-5515 fax (413) 562-8437

**HydroTherm®**

http://www.mestek.com

5211 Creekbank Road  
Mississauga, Ontario L4W 1R3, Canada  
tel. (905) 625-2991 fax (905) 625-6610