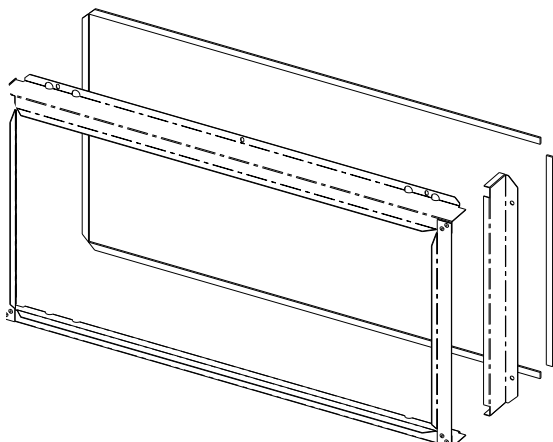
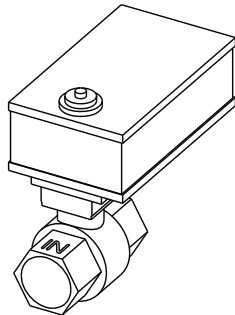
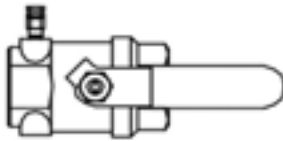
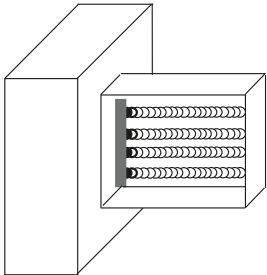
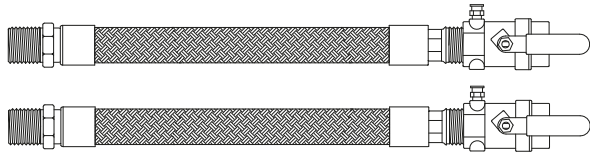


ACCESSORIES

SUBMITTAL DATA

ENGLISH LANGUAGE/I-P UNITS



Revised: 26 November, 2012

ClimateMaster works continually to improve its products. As a result, the design and specifications of each product at the time of order may be changed without notice and may not be as described herein. Please contact ClimateMaster's Customer Service Department at 1-405-745-6000 for specific information on the current design and specifications. Statements and other information contained herein are not express warranties and do not form the basis of any bargain between the parties, but are merely ClimateMaster's opinion or commendation of its products. The latest version of this document is available at climatemaster.com.



LC294

Revised: 26 November, 2012



SUBMITTAL DATA

Unit Designation: _____

Job Name: _____

Architect: _____

Engineer: _____

Contractor: _____

This Page Intentionally Left Blank

Table of Contents

	*PAGE NUMBER
HOSE KIT NOMENCLATURE	4
AHK**** 1/2" TO 1-1/4" STAINLESS STEEL BRAIDED HOSE KIT	5
AHK**** 1-1/2" TO 2-1/2" STAINLESS STEEL BRAIDED HOSE KIT	6
AHA**** 1/2" TO 1-1/4" STAINLESS STEEL BRAIDED HOSE KIT WITH BALL VALVES	7
AHA**** 1-1/2" TO 2" STAINLESS STEEL BRAIDED HOSE KIT WITH BALL VALVES	8
AHB****-**** 1/2" TO 1-1/4" STAINLESS STEEL BRAIDED HOSE KIT WITH AUTOMATIC BALANCING VALVE AND BALL VALVES	9
AHB****-**** 1/2" TO 1-1/4" STAINLESS STEEL BRAIDED HOSE KIT AND BALL VALVES	10
AHB****-**** 1-1/2" TO 2" STAINLESS STEEL BRAIDED HOSED KIT WITH AUTOMATIC BALANCING VALVE AND BALL VALVES	11
AHB****-**** 1-1/2" TO 2" STAINLESS STEEL BRAIDED HOSED KIT WITH AUTOMATIC BALANCING VALVE AND BALL VALVES	12
AHC****-**** 1/2" TO 1-1/4" STAINLESS STEEL BRAIDED HOSE KIT WITH AUTOMATIC BALANCING VALVE, "Y" STRAINER AND BALL VALVES	13
AHC****-**** 1/2" TO 1-1/4" STAINLESS STEEL BRAIDED HOSE KIT WITH AUTOMATIC BALANCING VALVE, "Y" STRAINER AND BALL VALVES	14
AHC****-**** 1-1/2" TO 2" STAINLESS STEEL BRAIDED HOSE KIT WITH AUTOMATIC BALANCING VALVE, "Y" STRAINER AND BALL VALVES	15
AHC****-**** 1-1/2" TO 2" STAINLESS STEEL BRAIDED HOSE KIT WITH AUTOMATIC BALANCING VALVE, "Y" STRAINER AND BALL VALVES	16
AHS****-**** 1/2" TO 1-1/4" STAINLESS STEEL BRAIDED HOSE KIT WITH "Y" STRAINER AND BALL VALVES	17
AHS****-**** 1-1/2" TO 2" STAINLESS STEEL BRAIDED HOSE KIT WITH "Y" STRAINER AND BALL VALVES	18
AHH**** 1/2", 3/4" AND 1" (TRM/816 SERIES ONLY) STAINLESS STEEL BRAIDED HOSE KIT	19
WATER VALVES AND STRAINERS	20
ALCP LOOP CONTROL PANEL	22
ACCESSORY ELECTRIC HEATER	23
AFF----- 1" AND 2" AIR FILTER FRAME	25
ACCESSORY FILTER FRAMES	26
ACCESSORY SECONDARY DRAIN PANS	27
REVISION HISTORY	28

*Document page number is shown next to part number (e.g. LC294 - 3 = page 3). Since not all pages are typically used in the submittals process, the page number in the lower right corner can still be used (page ___ of ___).

ClimateMaster works continually to improve its products. As a result, the design and specifications of each product at the time of order may be changed without notice and may not be as described herein. Please contact ClimateMaster's Customer Service Department at 1-405-745-6000 for specific information on the current design and specifications. Statements and other information contained herein are not express warranties and do not form the basis of any bargain between the parties, but are merely ClimateMaster's opinion or commendation of its products. The latest version of this document is available at climatemaster.com.

Hose Kit Nomenclature

1 2 3 4 5 6 7 8 9 10 11 12

AHK **075** **2 - * * * ***

Hose Kit Type
 AHK = Hoses Only
 AHA = Hose Assembly w/Ball Valve
 AHB = AutoFlow Hose Assembly
 AHC = AutoFlow w/Strainer & Blowdown Assembly
 AHS = Y Strainer and Ball Valve

Diameter
 0.50" = 050
 0.75" = 075
 1.00" = 100
 1.25" = 125
 1.50" = 150
 2.00" = 200
 2.50" = 250

Length
 1 = One Foot - AHK Only
 2 = Two Feet

Flow Rate - AutoFlow Only
 4 Digit Flow Rate for AutoFlow
 Hose Kits Only (AHB & AHC)
 Flow Rates Available - See Tables
 With Kits

Flow Rate Example

GPM number
 0.75 = -0075
 4.50 = -0450
 18.00 = -1800

AHK0752
 3/4" kit

AHB0752-0450
 3/4" kit, 4.5 gpm

AHB1002-1200
 1" kit, 12.0 gpm

All hose kit part numbers contain 2 hoses

Unit Water Connection Sizes

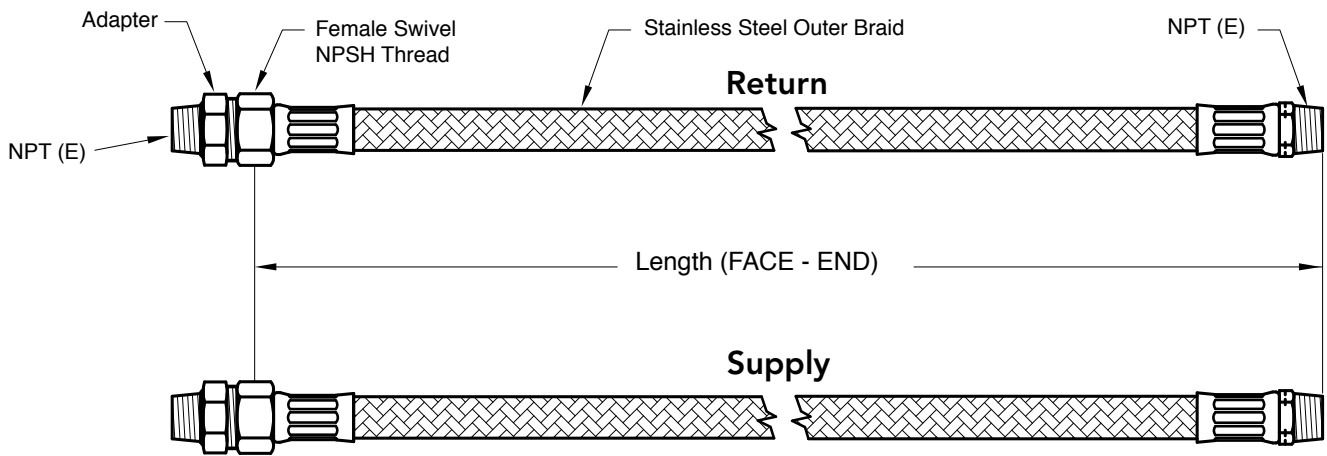
Unit Size	Water Connection Diameter Table										Typical Autoflow Flow Rate Range (gpm)		
	TRC	TC	TR	TS	TT	TY	TZ	TMW	TL	TRE			
006		0.50	0.50	0.50							1.25	1.50	
009	0.50	0.50	0.50	0.50							1.75	2.25	
012	0.50	0.50	0.50	0.50							2.25	3	
015	0.50	0.50	0.50								3	4	
018	0.75	0.50	0.50	0.75							3.50	4.50	
024 / 026		0.75	0.75	0.75	0.75	0.75	0.75				4.50	6	
030		0.75	0.75	0.75		0.75	0.75				6	8	
036 / 038		0.75	0.75	0.75	0.75	0.75	0.75	0.75		0.75	7	9	
041 / 042		0.75	0.75	1.00			1.00	1.00			8	11	
048 / 049		1.00	1.00	1.00	1.00	1.00	1.00			0.75	9	12	
060 / 064		1.00	1.00	1.00	1.00	1.00	1.00	1.00		1.00	12	15	
070 / 072		1.25		1.00	1.00					1.25	14	18	
084										1.50	15	20	
096		1.25								1.50	1.50	18	24
120		1.50						1.5		1.50	1.50	23	30
144										1.50	30	40	
150										2.00	30	40	
160		2.00									30	40	
168		2.00									30	40	
192										2.00	40	50	
240		2.00								2.00	2.00	45	60
300		2.50								2.50	60	75	
170								2.00			18	35	
340								2.00			35	70	
360								2.00			45	90	
600								2.50			75	150	
840								2.50			105	210	

ClimateMaster works continually to improve its products. As a result, the design and specifications of each product at the time of order may be changed without notice and may not be as described herein. Please contact ClimateMaster's Customer Service Department at 1-405-745-6000 for specific information on the current design and specifications. Statements and other information contained herein are not express warranties and do not form the basis of any bargain between the parties, but are merely ClimateMaster's opinion or commendation of its products. The latest version of this document is available at climatemaster.com.

AHK**** 1/2" to 1-1/4" Stainless Steel Braided Hose Kit

Specifications:

- Designed for water source heat pump applications.
- Kevlar® reinforced EPDM core with ANSI 302/304 stainless steel outer braid.
- Fire rated materials per ASTM E 84-00 (NFPA 255, ANSI/UL 723 & UBC 8-1).
- NPT (External Pipe Thread) fitting at one end; swivel connector and adapter with NPT (External Pipe Thread) at the other end (swivel to adapter connection via fiber or EPDM gasket).
- Swivel connection provides union between heat pump and piping system.
- Brass fittings, stainless steel ferrules for 1/2" to 1", aluminum ferrules for 1-1/4".
- FluidTemperature range of 15°F [9°C] to 180°F [82°C] (Operation below 32°F requires antifreeze).
- Max. working pressure of 400 psi [2756 kPa] for 1/2", 3/4" and 1" hose kits; max. working pressure of 300 psi [2067 kPa] 1-1/4" hose kits.
- Min. burst pressure of four times working pressure.



Physical Data

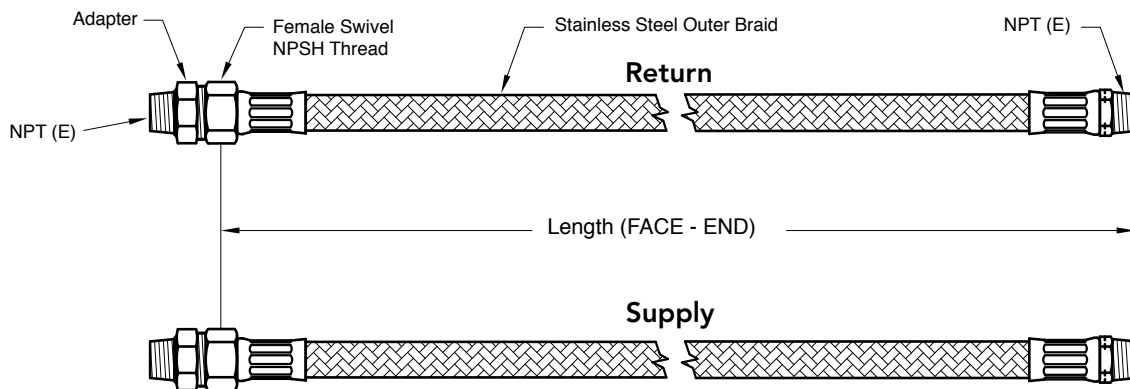
Part #	Hose Size inches [mm]	Length feet [cm]	Working Pressure psi [kPa]	Min. Burst Pressure psi [kPa]	Min. Bend Radius inches [mm]	Cv
AHK0501	0.50 [12.7]	1 [30.5]	400 [2756]	1600 [11024]	2.5 [63.5]	3.9
AHK0502	0.50 [12.7]	2 [61]	400 [2756]	1600 [11024]	2.5 [63.5]	3.5
AHK0752	0.75 [19.1]	2 [61]	400 [2756]	1600 [11024]	4.5 [114.3]	12.8
AHK1002	1.00 [25.4]	2 [61]	400 [2756]	1600 [11024]	5.5 [139.7]	21.5
AHK1252	1.25 [31.8]	2 [61]	300 [2067]	1200 [8268]	7 [177.8]	29.0

*1 ft. (30.5 cm) hose kit is typically used for console units.

AHK**** 1-1/2" to 2-1/2" Stainless Steel Braided Hose Kit

Specifications:

- Designed for water source heat pump applications.
- Kevlar® reinforced EPDM core with ANSI 302/304 stainless steel outer braid.
- Fire rated materials per ASTM E 84-00 (NFPA 255, ANSI/UL 723 & UBC 8-1).
- NPT (External Pipe Thread) fitting at one end; swivel connector and adapter with NPT (External Pipe Thread) at the other end.
- Swivel connection provides union between heat pump and piping system.
- Brass fittings aluminum ferrules.
- Fluid Temperature range of 15°F [9°C] to 180°F [82°C] (Operation below 32°F requires antifreeze).
- Max. working pressure of 300 psi [2067 kPa].
- Min. burst pressure of four times working pressure.



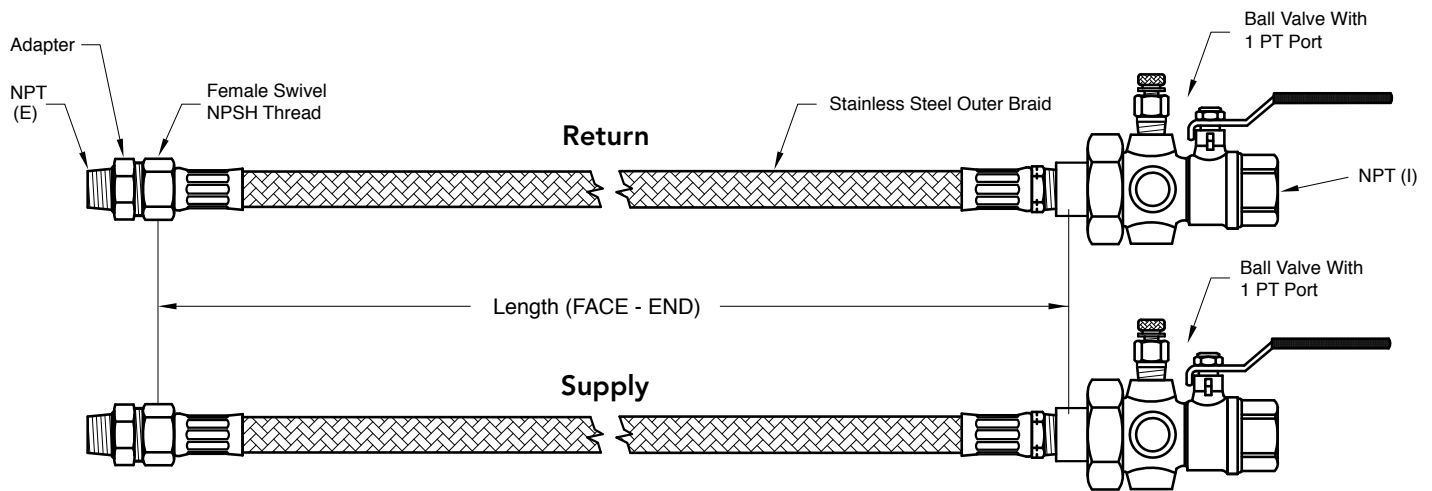
Physical Data

Part #	Hose Size inches [mm]	Length feet [cm]	Working Pressure psi [kPa]	Min. Burst Pressure psi [kPa]	Min. Bend Radius inches [mm]	Cv
AHK1502	1.5 [38.1]	2 [61]	300 [2067]	1200 [8268]	8.5 [216]	54.0
AHK2002	2.0 [50.8]	2 [61]	300 [2067]	1200 [8268]	9.5 [241.3]	68.0
AHK2502	2.5 [63.5]	2 [61]	300 [2067]	1200 [8268]	16.0 [406.4]	200.0

AHA**** 1/2" to 1-1/4" Stainless Steel Braided Hose Kit with Ball Valves

Specifications:

- Designed for water source heat pump applications.
- Kevlar® reinforced EPDM core with ANSI 302/304 stainless steel outer braid.
- Fire rated materials per ASTM E 84-00 (NFPA 255, ANSI/UL 723 & UBC 8-1).
- NPT (Internal Pipe Thread) Ball valve at one end; swivel connector and adapter with NPT (External Pipe Thread) at the other end (swivel to adapter connection via fiber or EPDM gasket).
- Swivel connection provides union between heat pump and piping system.
- Brass fittings, stainless steel ferrules.
- Full port ball valve with integral P/T (pressure/temperature) ports.
- Fluid Temperature range of 15°F [9°C] to 180°F [82°C] (Operation below 32°F requires antifreeze).
- Max. working pressure of 400 psi [2756 kPa] for 1/2", 3/4", and 1" hose kits; max. working pressure of 300 psi [2067 kPa] for 1-1/4" hose kits.
- Min. burst pressure of four times working pressure.



Physical Data

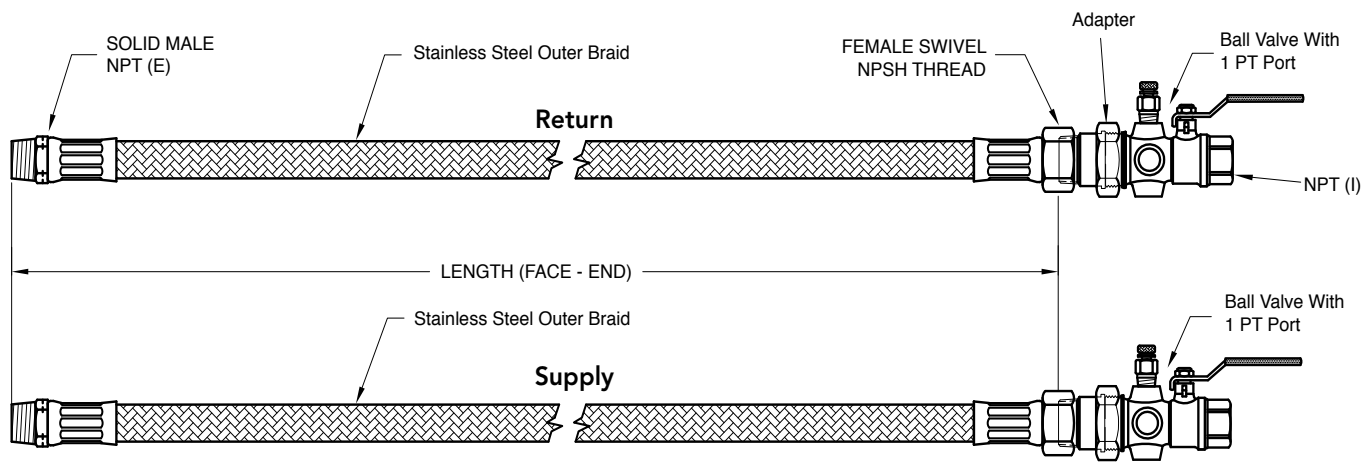
Part #	Hose Size inches [mm]	Length feet [cm]	Working Pressure psi [kPa]	Min. Burst Pressure psi [kPa]	Min. Bend Radius inches [mm]
AHA0502	0.50 [12.7]	2 [61]	400 [2756]	1600 [11024]	2.5 [63.5]
AHA0752	0.75 [19.1]	2 [61]	400 [2756]	1600 [11024]	4.5 [114.3]
AHA1002	1.00 [25.4]	2 [61]	400 [2756]	1600 [11024]	5.5 [139.7]
AHA1252	1.25 [31.8]	2 [61]	300 [2067]	1200 [8268]	7 [177.8]

ClimateMaster works continually to improve its products. As a result, the design and specifications of each product at the time of order may be changed without notice and may not be as described herein. Please contact ClimateMaster's Customer Service Department at 1-405-745-6000 for specific information on the current design and specifications. Statements and other information contained herein are not express warranties and do not form the basis of any bargain between the parties, but are merely ClimateMaster's opinion or commendation of its products. The latest version of this document is available at climatemaster.com.

AHA** 1-1/2" to 2" Stainless Steel Braided Hose Kit with Ball Valves**

Specifications:

- Designed for water source heat pump applications.
- Kevlar® reinforced EPDM core with ANSI 302/304 stainless steel outer braid.
- Fire rated materials per ASTM E 84-00 (NFPA 255, ANSI/UL 723 & UBC 8-1).
- NPT (Internal Pipe Thread) Ball valve at one end with hose swivel connector; with NPT (External Pipe Thread) connection at the other end.
- Swivel connection provides union between heat pump and piping system.
- Brass fittings; aluminum ferrules.
- Full port ball valve with integral P/T (pressure/temperature) ports.
- Fluid Temperature range of 15°F [9°C] to 180°F [82°C] (Operation below 32°F requires antifreeze).
- Max. working pressure of 300 psi [2067 kPa].
- Min. burst pressure of four times working pressure.



Physical Data

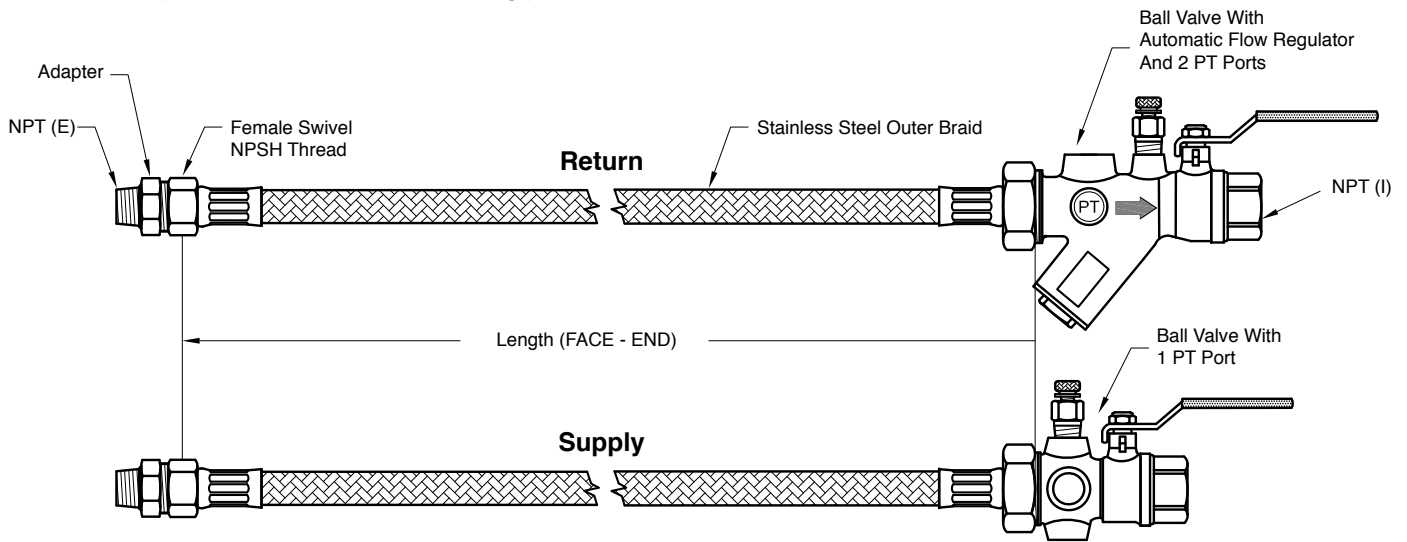
Part #	Hose Size inches [mm]	Length feet [cm]	Working Pressure psi [kPa]	Min. Burst Pressure psi [kPa]	Min. Bend Radius inches [mm]
AHA1502	1.5 [38.1]	2 [61]	300 [2067]	1200 [8268]	8.5 [216]
AHA2002	2.0 [50.8]	2 [61]	300 [2067]	1200 [8268]	9.5 [241.3]

ClimateMaster works continually to improve its products. As a result, the design and specifications of each product at the time of order may be changed without notice and may not be as described herein. Please contact ClimateMaster's Customer Service Department at 1-405-745-6000 for specific information on the current design and specifications. Statements and other information contained herein are not express warranties and do not form the basis of any bargain between the parties, but are merely ClimateMaster's opinion or commendation of its products. The latest version of this document is available at climatemaster.com.

AHB**-**** 1/2" to 1-1/4" Stainless Steel Braided Hose Kit with Automatic Balancing Valve and Ball Valves**

Specifications:

- Designed for water source heat pump applications.
- Kevlar® reinforced EPDM core with ANSI 302/304 stainless steel outer braid.
- Fire rated materials per ASTM E 84-00 (NFPA 255, ANSI/UL 723 & UBC 8-1).
- NPT (Internal Pipe Thread) Ball valve at one end; swivel connector and adapter with NPT (External Pipe Thread) at the other end (swivel to adapter connection via fiber or EPDM gasket).
- Swivel connection provides union between heat pump and piping system.
- Brass fittings, stainless steel ferrules for 1/2" to 1", aluminum ferrules for 1-1/4".
- Full port ball valve with integral P/T (pressure/temperature) port on supply hose.
- Automatic balancing valve with integral P/T ports and full port ball valve on return hose.
- Fluid Temperature range of 15°F [9°C] to 180°F [82°C] (Operation below 32°F requires antifreeze).
- Max. working pressure of 400 psi [2756 kPa] for 1/2", 3/4", and 1" hose kits; max. working pressure of 300 psi [2067 kPa] for 1-1/4" hose kits.
- Min. burst pressure of four times working pressure.



Physical Data

Part #	Hose Size inches [mm]	Length feet [cm]	Working Pressure psi [kPa]	Min. Burst Pressure psi [kPa]	Min. Bend Radius inches [mm]	Typ. Flow Rate Range U.S. GPM [l/s]
AHB0502-****	0.50 [12.7]	2 [61]	400 [2756]	1600 [11024]	2.5 [63.5]	See Table
AHB0752-****	0.75 [19.1]	2 [61]	400 [2756]	1600 [11024]	4.5 [114.3]	See Table
AHB1002-****	1.00 [25.4]	2 [61]	400 [2756]	1600 [11024]	5.5 [139.7]	See Table
AHB1252-****	1.25 [31.8]	2 [61]	300 [2067]	1200 [8268]	7.0 [177.8]	See Table

ClimateMaster works continually to improve its products. As a result, the design and specifications of each product at the time of order may be changed without notice and may not be as described herein. Please contact ClimateMaster's Customer Service Department at 1-405-745-6000 for specific information on the current design and specifications. Statements and other information contained herein are not express warranties and do not form the basis of any bargain between the parties, but are merely ClimateMaster's opinion or commendation of its products. The latest version of this document is available at climatemaster.com.

AHB**_**** 1/2" to 1-1/4" Stainless Steel Braided Hose Kit and Ball Valves**

Available Flow Rates

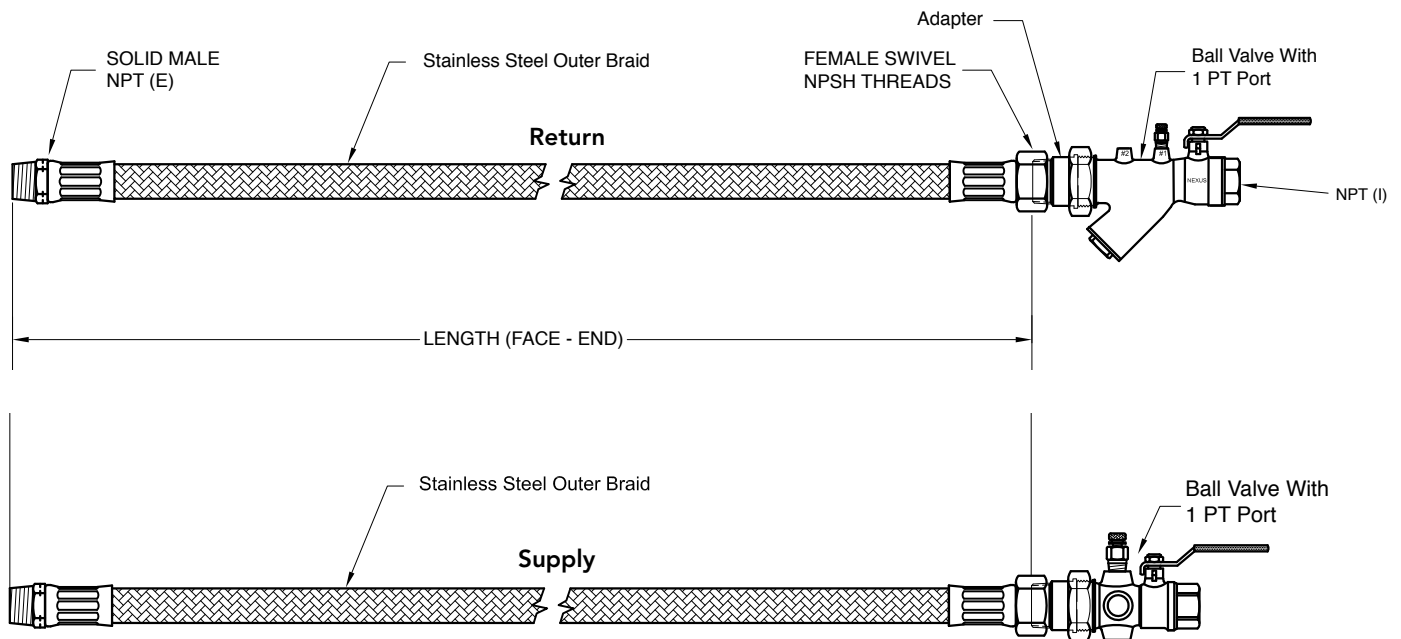
Model Suffix _****	Flow Rate U.S. GPM [l/s]	Hose Kit Diam. inches	Operating Differential PSI [xPa]
-0050	0.50 [0.032]	1/2" & 3/4"	2 - 45 [13.8 - 310]
-0100	1.00 [0.063]	1/2" & 3/4"	2 - 45 [13.8 - 310]
-0150	1.50 [0.095]	1/2" & 3/4"	2 - 45 [13.8 - 310]
-0200	2.00 [0.126]	1/2" & 3/4"	2 - 45 [13.8 - 310]
-0250	2.50 [0.158]	1/2" & 3/4"	2 - 45 [13.8 - 310]
-0300	3.00 [0.189]	1/2" & 3/4"	2 - 45 [13.8 - 310]
-0350	3.50 [0.221]	1/2" & 3/4"	2 - 45 [13.8 - 310]
-0400	4.00 [0.252]	1/2" & 3/4"	2 - 45 [13.8 - 310]
-0500	5.00 [0.315]	1/2" & 3/4"	2 - 45 [13.8 - 310]
-0600	6.00 [0.378]	1/2" & 3/4"	2 - 45 [13.8 - 310]
-0650	6.50 [0.410]	1/2" & 3/4"	2 - 45 [13.8 - 310]
-0700	7.00 [0.441]	1/2" & 3/4"	2 - 45 [13.8 - 310]
-0800	8.00 [0.504]	1/2" & 3/4" & 1"	2 - 45 [13.8 - 310]
-0900	9.00 [0.567]	3/4" & 1"	5 - 50 [34.5 - 344.5]
-1050	10.5 [0.663]	3/4"	5 - 50 [34.5 - 344.5]
-1100	11.0 [0.693]	1" & 1 1/4"	2 - 45 [13.8 - 310]
-1200	12.0 [0.756]	1" & 1 1/4"	2 - 45 [13.8 - 310]
-1300	13.0 [0.819]	1" & 1 1/4"	2 - 45 [13.8 - 310]
-1400	14.0 [0.882]	1" & 1 1/4"	2 - 45 [13.8 - 310]
-1500	15.0 [0.945]	1" & 1 1/4"	2 - 45 [13.8 - 310]
-1600	16.0 [1.008]	1" & 1 1/4"	2 - 45 [13.8 - 310]
-1800	18.0 [1.134]	1" & 1 1/4"	2 - 45 [13.8 - 310]
-2000	20.0 [1.260]	1" & 1 1/4"	2 - 45 [13.8 - 310]
-2100	21.0 [1.323]	1" & 1 1/4"	2 - 45 [13.8 - 310]
-2200	22.0 [1.386]	1" & 1 1/4"	2 - 45 [13.8 - 310]
-2500	25.0 [1.575]	1 1/4"	2 - 45 [13.8 - 310]
-3000	30.0 [1.890]	1 1/4"	2 - 45 [13.8 - 310]

ClimateMaster works continually to improve its products. As a result, the design and specifications of each product at the time of order may be changed without notice and may not be as described herein. Please contact ClimateMaster's Customer Service Department at 1-405-745-6000 for specific information on the current design and specifications. Statements and other information contained herein are not express warranties and do not form the basis of any bargain between the parties, but are merely ClimateMaster's opinion or commendation of its products. The latest version of this document is available at climatemaster.com.

AHB**-**** 1-1/2" to 2" Stainless Steel Braided Hosed Kit with Automatic Balancing Valve and Ball Valves**

Specifications:

- Designed for water source heat pump applications.
- Kevlar® reinforced EPDM core with ANSI 302/304 stainless steel outer braid.
- Fire rated materials per ASTM E 84-00 (NFPA 255, ANSI/UL 723 & UBC 8-1).
- NPT (Internal Pipe Thread) Ball valve at one end with hose swivel connector; with NPT (External Pipe Thread) connection at the other end.
- Swivel connection provides union between heat pump and piping system.
- Brass fittings; aluminum ferrules.
- Full port ball valve with integral P/T (pressure/temperature) port on supply hose.
- Automatic balancing valve with integral P/T ports and full port ball valve on return hose.
- Fluid Temperature range of 15°F [9°C] to 180°F [82°C] (Operation below 32°F requires antifreeze).
- Max. working pressure of 300 psi [2067 kPa].
- Min. burst pressure of four times working pressure.



Physical Data

Part #	Hose Size inches [mm]	Length feet [cm]	Working Pressure psi [kPa]	Min. Burst Pressure psi [kPa]	Min. Bend Radius inches [mm]	Typ. Flow Rate Range U.S. GPM [l/s]
AHB1502-****	1.50 [38.1]	2 [61]	300 [2067]	1200 [8268]	8.5 [216.0]	See Table
AHB2002-****	2.00 [50.8]	2 [61]	300 [2067]	1200 [8268]	9.5 [241.3]	See Table

ClimateMaster works continually to improve its products. As a result, the design and specifications of each product at the time of order may be changed without notice and may not be as described herein. Please contact ClimateMaster's Customer Service Department at 1-405-745-6000 for specific information on the current design and specifications. Statements and other information contained herein are not express warranties and do not form the basis of any bargain between the parties, but are merely ClimateMaster's opinion or commendation of its products. The latest version of this document is available at climatemaster.com.

ACCESSORIES SUBMITTAL DATA ENG/I-P

AHB****_**** 1-1/2" to 2" Stainless Steel Braided Hosed Kit with Automatic Balancing Valve and Ball Valves

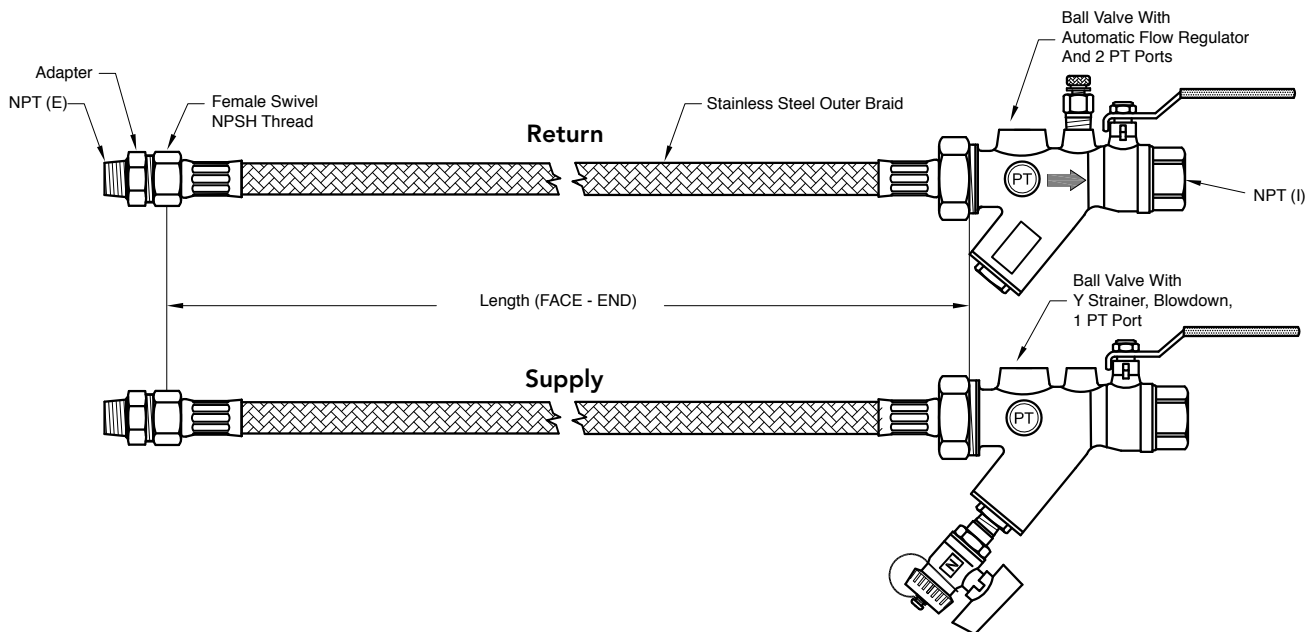
Available Flow Rates

Model Suffix _****	Flow Rate U.S. GPM [l/s]	Hose Kit Diam. inches	Operating Differential PSI [kPa]
-1500	15.0 [0.945]	1-1/2" & 2"	2 - 45 [13.8 - 310]
-2000	20.0 [1.260]	1-1/2" & 2"	2 - 45 [13.8 - 310]
-2500	25.0 [1.575]	1-1/2" & 2"	2 - 45 [13.8 - 310]
-3000	30.0 [1.890]	1-1/2" & 2"	2 - 45 [13.8 - 310]
-3500	35.0 [2.205]	1-1/2" & 2"	2 - 45 [13.8 - 310]
-4000	40.0 [2.520]	1-1/2" & 2"	2 - 45 [13.8 - 310]
-4500	45.0 [2.835]	1-1/2" & 2"	2 - 45 [13.8 - 310]
-5000	50.0 [3.150]	1-1/2" & 2"	2 - 45 [13.8 - 310]
-6000	60.0 [3.780]	1-1/2" & 2"	2 - 45 [13.8 - 310]
-6500	65.0 [4.095]	1-1/2" & 2"	2 - 45 [13.8 - 310]
-7000	70.0 [4.410]	1-1/2" & 2"	2 - 45 [13.8 - 310]
-9000	90.0 [5.670]	2"	2 - 45 [13.8 - 310]

AHC****-**** 1/2" to 1-1/4" Stainless Steel Braided Hose Kit with Automatic Balancing Valve, "Y" Strainer and Ball Valves

Specifications:

- Designed for water source heat pump applications.
- Kevlar® reinforced EPDM core with ANSI 302/304 stainless steel outer braid.
- Fire rated materials per ASTM E 84-00 (NFA 255, ANSI/UL 723 & UBC 8-1).
- NPT (Internal Pipe Thread) Ball valve at one end; swivel connector and adapter with NPT (External Pipe Thread) at the other end (swivel to adapter connection via fiber or EPDM gasket).
- Swivel connection provides union between heat pump and piping system.
- Brass fittings; stainless steel ferrules for 1/2" to 1", aluminum ferrules for 1-1/4".
- Full port ball valve with integral P/T (pressure/temperature) port and 20 mesh "Y" strainer/blowdown valve on supply hose.
- Automatic balancing valve with integral P/T ports and full port ball valve on return hose.
- Fluid Temperature range of 15°F [9°C] to 180°F [82°C] (Operation below 32°F requires antifreeze).
- Max. working pressure of 400 psi [2756 kPa] for 1/2", 3/4", and 1" hose kits; max. working pressure of 300 psi [2412 kPa] for 1-1/4" hose kits.
- Min. burst pressure of four times working pressure.



Physical Data

Part #	Hose Size inches [mm]	Length feet [cm]	Working Pressure psi [kPa]	Min. Burst Pressure psi [kPa]	Min. Bend Radius inches [mm]	Typ. Flow Rate Range U.S. GPM [l/s]
AHC0502-****	0.50 [12.7]	2 [61]	400 [2756]	1600 [11024]	2.5 [63.5]	See Table
AHC0752-****	0.75 [19.1]	2 [61]	400 [2756]	1600 [11024]	4.5 [114.3]	See Table
AHC1002-****	1.00 [25.4]	2 [61]	400 [2756]	1400 [9646]	5.5 [139.7]	See Table
AHC1252-****	1.25 [31.8]	2 [61]	300 [2067]	1200 [8268]	7.0 [177.8]	See Table

ClimateMaster works continually to improve its products. As a result, the design and specifications of each product at the time of order may be changed without notice and may not be as described herein. Please contact ClimateMaster's Customer Service Department at 1-405-745-6000 for specific information on the current design and specifications. Statements and other information contained herein are not express warranties and do not form the basis of any bargain between the parties, but are merely ClimateMaster's opinion or commendation of its products. The latest version of this document is available at climatemaster.com.

AHC**-**** 1/2" to 1-1/4" Stainless Steel Braided Hose Kit with Automatic Balancing Valve, "Y" Strainer and Ball Valves**

Available Flow Rates

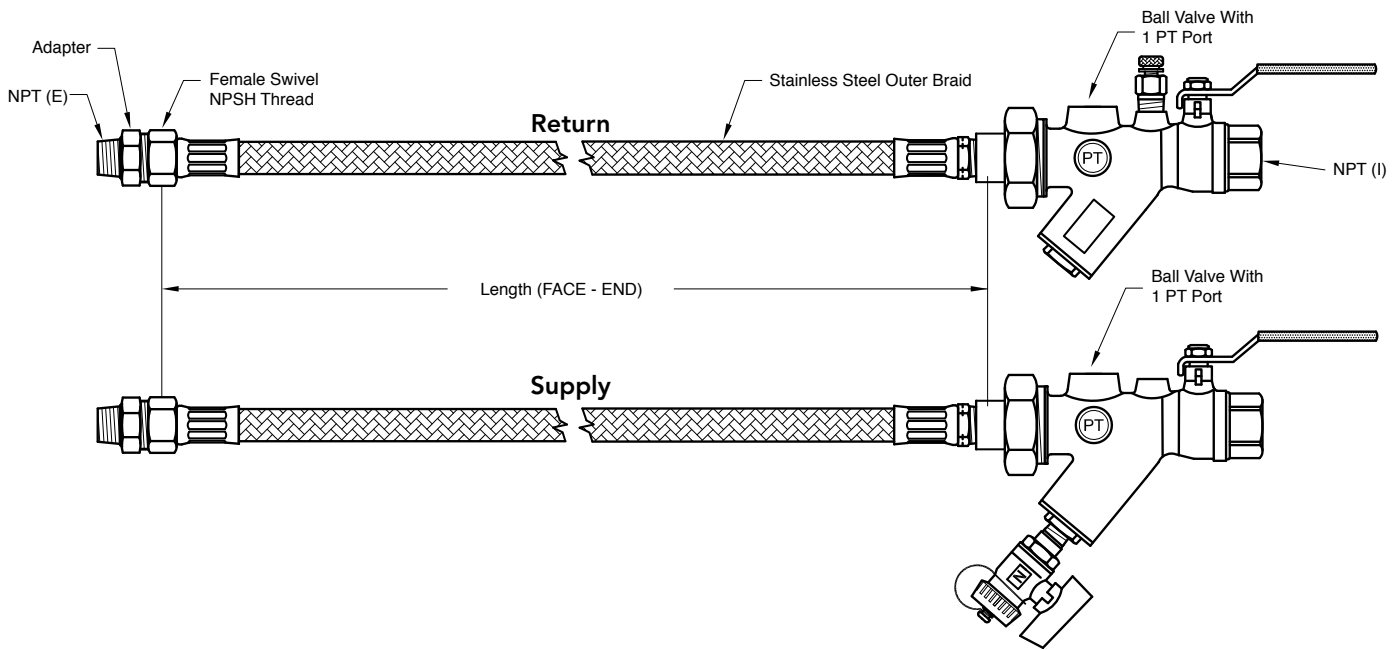
Model Suffix _****	Flow Rate U.S. GPM [l/s]	Hose Kit Diam. inches	Operating Differential PSI [kPa]
-0050	0.50 [0.032]	1/2" & 3/4"	2 - 45 [13.8 - 310]
-0100	1.00 [0.063]	1/2" & 3/4"	2 - 45 [13.8 - 310]
-0150	1.50 [0.095]	1/2" & 3/4"	2 - 45 [13.8 - 310]
-0200	2.00 [0.126]	1/2" & 3/4"	2 - 45 [13.8 - 310]
-0250	2.50 [0.158]	1/2" & 3/4"	2 - 45 [13.8 - 310]
-0300	3.00 [0.189]	1/2" & 3/4"	2 - 45 [13.8 - 310]
-0350	3.50 [0.221]	1/2" & 3/4"	2 - 45 [13.8 - 310]
-0400	4.00 [0.252]	1/2" & 3/4"	2 - 45 [13.8 - 310]
-0500	5.00 [0.315]	1/2" & 3/4"	2 - 45 [13.8 - 310]
-0600	6.00 [0.378]	1/2" & 3/4"	2 - 45 [13.8 - 310]
-0650	6.50 [0.410]	1/2" & 3/4"	2 - 45 [13.8 - 310]
-0700	7.00 [0.441]	1/2" & 3/4"	2 - 45 [13.8 - 310]
-0800	8.00 [0.504]	1/2" & 3/4" & 1"	2 - 45 [13.8 - 310]
-0900	9.00 [0.567]	3/4" & 1"	5 - 50 [34.5 - 344.5]
-1050	10.5 [0.663]	3/4"	5 - 50 [34.5 - 344.5]
-1100	11.0 [0.693]	1" & 1 1/4"	2 - 45 [13.8 - 310]
-1200	12.0 [0.756]	1" & 1 1/4"	2 - 45 [13.8 - 310]
-1300	13.0 [0.819]	1" & 1 1/4"	2 - 45 [13.8 - 310]
-1400	14.0 [0.882]	1" & 1 1/4"	2 - 45 [13.8 - 310]
-1500	15.0 [0.945]	1" & 1 1/4"	2 - 45 [13.8 - 310]
-1600	16.0 [1.008]	1" & 1 1/4"	2 - 45 [13.8 - 310]
-1800	18.0 [1.134]	1" & 1 1/4"	2 - 45 [13.8 - 310]
-2000	20.0 [1.260]	1" & 1 1/4"	2 - 45 [13.8 - 310]
-2100	21.0 [1.323]	1" & 1 1/4"	2 - 45 [13.8 - 310]
-2200	22.0 [1.386]	1" & 1 1/4"	2 - 45 [13.8 - 310]
-2500	25.0 [1.575]	1 1/4"	2 - 45 [13.8 - 310]
-3000	30.0 [1.890]	1 1/4"	2 - 45 [13.8 - 310]

ClimateMaster works continually to improve its products. As a result, the design and specifications of each product at the time of order may be changed without notice and may not be as described herein. Please contact ClimateMaster's Customer Service Department at 1-405-745-6000 for specific information on the current design and specifications. Statements and other information contained herein are not express warranties and do not form the basis of any bargain between the parties, but are merely ClimateMaster's opinion or commendation of its products. The latest version of this document is available at climatemaster.com.

AHC**-**** 1-1/2" to 2" Stainless Steel Braided Hose Kit with Automatic Balancing Valve, "Y" Strainer and Ball Valves**

Specifications:

- Designed for water source heat pump applications.
- Kevlar® reinforced EPDM core with ANSI 302/304 stainless steel outer braid.
- Fire rated materials per ASTM E 84-00 (NFPA 255, ANSI/UL 723 & UBC 8-1).
- NPT (Internal Pipe Thread) Ball valve at one end; swivel connector and adapter with NPT (External Pipe Thread) fitting at the other end.
- Swivel connection provides union between heat pump and piping system.
- Brass fittings; aluminum ferrules.
- Full port ball valve with integral P/T (pressure/temperature) port and 20 mesh "Y" strainer/blowdown valve on supply hose.
- Automatic balancing valve with integral P/T ports and full port ball valve on return hose.
- Fluid Temperature range of 15°F [9°C] to 180°F [82°C] (Operation below 32°F requires antifreeze).
- Max. working pressure of 300 psi [2067 kPa].
- Min. burst pressure of four times working pressure.



Physical Data

Part #	Hose Size inches [mm]	Length feet [cm]	Working Pressure psi [kPa]	Min. Burst Pressure psi [kPa]	Min. Bend Radius inches [mm]	Typ. Flow Rate Range U.S. GPM [l/s]
AHC1502-****	1.50 [38.1]	2 [61]	300 [2067]	1200 [8268]	8.5 [229]	See Table
AHC2002-****	2.00 [50.8]	2 [61]	300 [2067]	1200 [8268]	9.5 [254]	See Table

ClimateMaster works continually to improve its products. As a result, the design and specifications of each product at the time of order may be changed without notice and may not be as described herein. Please contact ClimateMaster's Customer Service Department at 1-405-745-6000 for specific information on the current design and specifications. Statements and other information contained herein are not express warranties and do not form the basis of any bargain between the parties, but are merely ClimateMaster's opinion or commendation of its products. The latest version of this document is available at climatemaster.com.

ACCESSORIES SUBMITTAL DATA ENG/I-P

AHC****_**** 1-1/2" to 2" Stainless Steel Braided Hose Kit with Automatic Balancing Valve, "Y" Strainer and Ball Valves

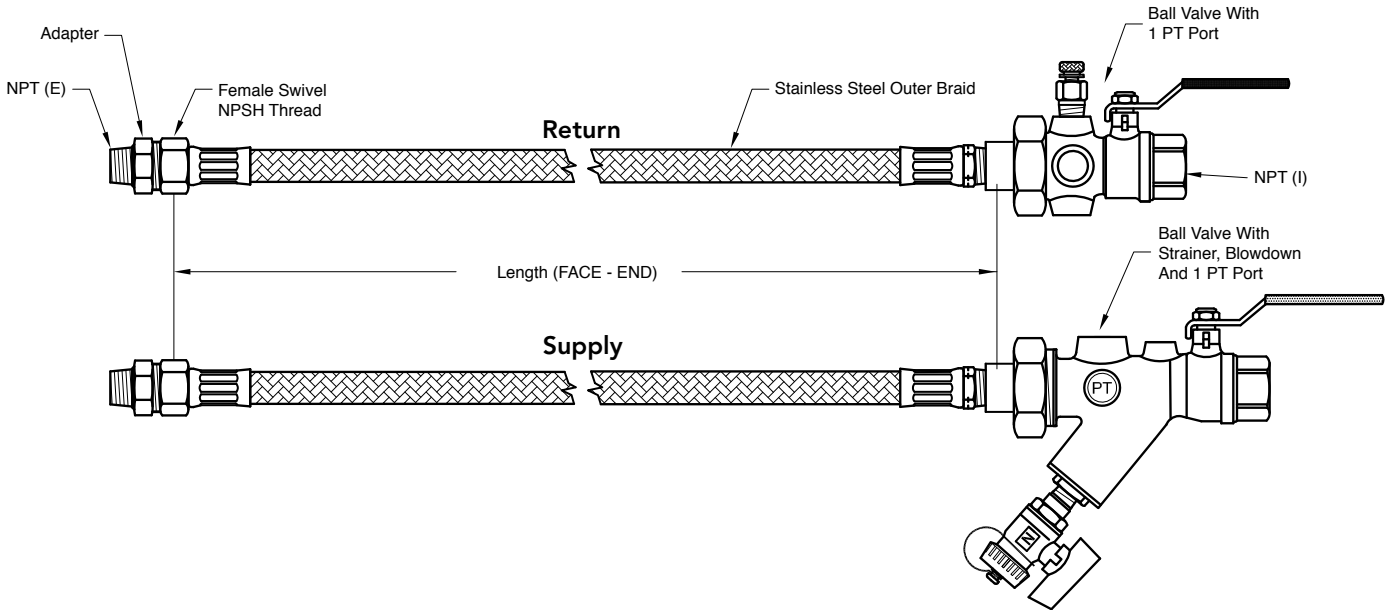
Available Flow Rates

Model Suffix _****	Flow Rate U.S. GPM [l/s]	Hose Kit Diam. inches	Operating Differential PSI [kPa]
-2500	25.0 [1.575]	1-1/2" & 2"	2 - 45 [13.8 - 310]
-3000	30.0 [1.890]	1-1/2" & 2"	2 - 45 [13.8 - 310]
-3500	35.0 [2.205]	1-1/2" & 2"	2 - 45 [13.8 - 310]
-4000	40.0 [2.520]	1-1/2" & 2"	2 - 45 [13.8 - 310]
-4500	45.0 [2.835]	1-1/2" & 2"	2 - 45 [13.8 - 310]
-5000	50.0 [3.150]	1-1/2" & 2"	2 - 45 [13.8 - 310]
-6000	60.0 [3.780]	1-1/2" & 2"	2 - 45 [13.8 - 310]
-6500	65.0 [4.095]	1-1/2" & 2"	2 - 45 [13.8 - 310]
-7000	70.0 [4.410]	1-1/2" & 2"	2 - 45 [13.8 - 310]
-9000	90.0 [5.670]	2"	2 - 45 [13.8 - 310]

AHS**.**** 1/2" to 1-1/4" Stainless Steel Braided Hose Kit with "Y" Strainer and Ball Valves**

Specifications:

- Designed for water source heat pump applications.
- Kevlar® reinforced EPDM core with ANSI 302/304 stainless steel outer braid.
- Fire rated materials per ASTM E 84-00 (NFPA 255, ANSI/UL 723 & UBC 8-1).
- NPT (Internal Pipe Thread) Ball valve at one end; swivel connector and adapter with NPT (External Pipe Thread) at the other end (swivel to adapter connection via fiber or EPDM gasket).
- Swivel connection provides union between heat pump and piping system.
- Brass fittings; stainless steel ferrules for 1/2" to 1", aluminum ferrules for 1-1/4".
- Full port ball valve with integral P/T (pressure/temperature) port and 20 mesh "Y" strainer/blowdown valve on supply hose.
- Fluid Temperature range of 15°F [9°C] to 180°F [82°C] (Operation below 32°F requires antifreeze).
- Max. working pressure of 400 psi [2756 kPa] for 1/2", and 3/4" and 1" hose kits; max. working pressure of 300 psi [2067 kPa] for 1-1/4" hose kits.
- Min. burst pressure of four times working pressure.



Physical Data

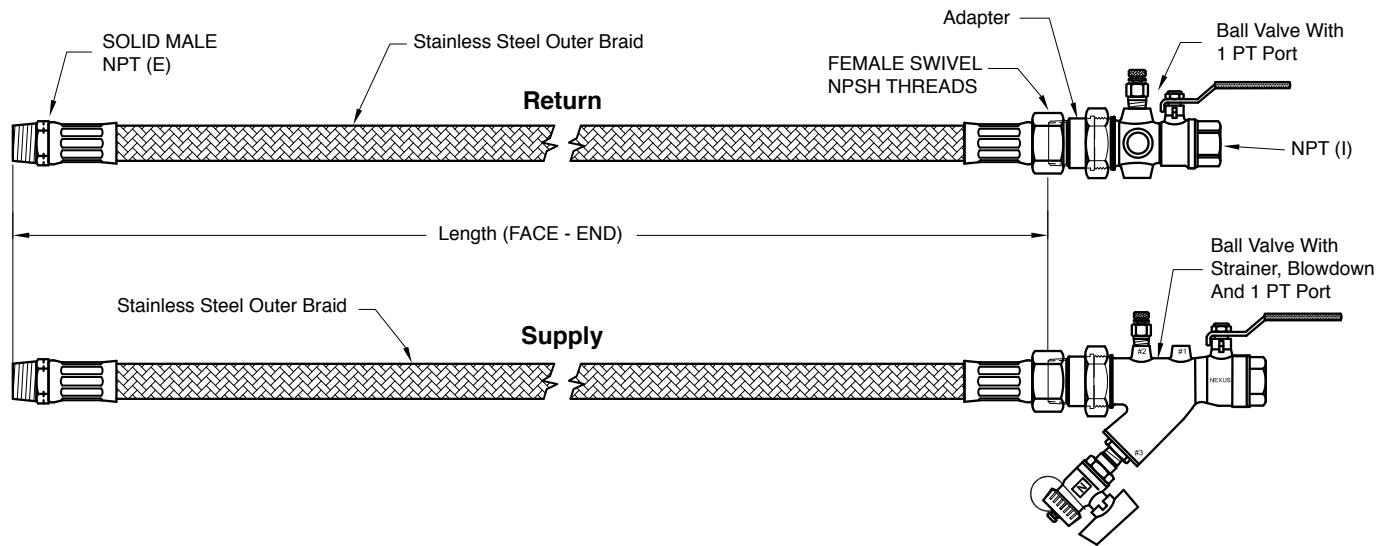
Part #	Hose Size inches [mm]	Length feet [cm]	Working Pressure psi [kPa]	Min. Burst Pressure psi [kPa]	Min. Bend Radius inches [mm]
AHS0502	0.50 [12.7]	2 [61]	400 [2756]	1600 [11024]	2.5 [63.5]
AHS0752	0.75 [19.1]	2 [61]	400 [2756]	1600 [11024]	4.5 [114.3]
AHS1002	1.00 [25.4]	2 [61]	400 [2756]	1600 [11024]	5.5 [139.7]
AHS1252	1.25 [31.8]	2 [61]	300 [2067]	1200 [8268]	7.0 [177.8]

ClimateMaster works continually to improve its products. As a result, the design and specifications of each product at the time of order may be changed without notice and may not be as described herein. Please contact ClimateMaster's Customer Service Department at 1-405-745-6000 for specific information on the current design and specifications. Statements and other information contained herein are not express warranties and do not form the basis of any bargain between the parties, but are merely ClimateMaster's opinion or commendation of its products. The latest version of this document is available at climatemaster.com.

AHS**_**** 1-1/2" to 2" Stainless Steel Braided Hose Kit with "Y" Strainer and Ball Valves**

Specifications:

- Designed for water source heat pump applications.
- Kevlar® reinforced EPDM core with ANSI 302/304 stainless steel outer braid.
- Fire rated materials per ASTM E 84-00 (NFPA 255, ANSI/UL 723 & UBC 8-1).
- NPT (Internal Pipe Thread) Ball valve at one end with hose swivel connector; with NPT (External Pipe Thread) connection at the other end.
- Swivel connection provides union between heat pump and piping system.
- Brass fittings; aluminum ferrules.
- Full port ball valve with integral P/T (pressure/temperature) port and 20 mesh "Y" strainer/blowdown valve on supply hose.
- Temperature range of 15°F [9°C] to 180°F [82°C] (Operation below 32°F requires antifreeze).
- Max. working pressure of 300 psi [2067 kPa].
- Min. burst pressure of four times working pressure.



Physical Data

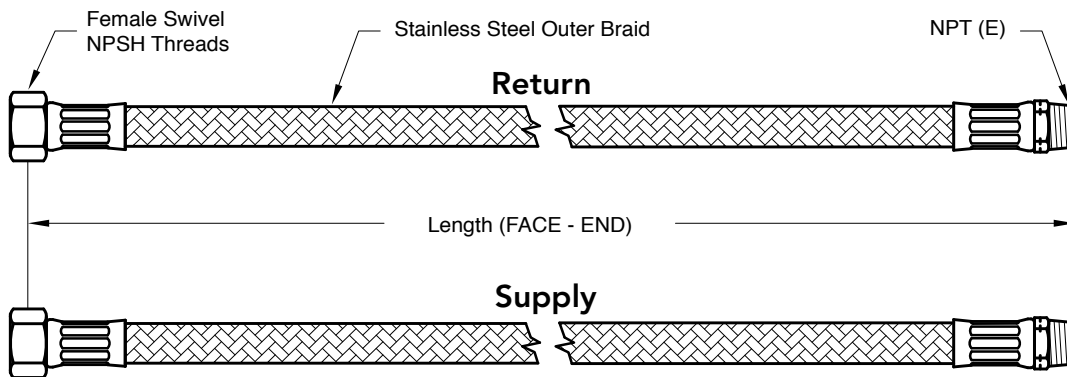
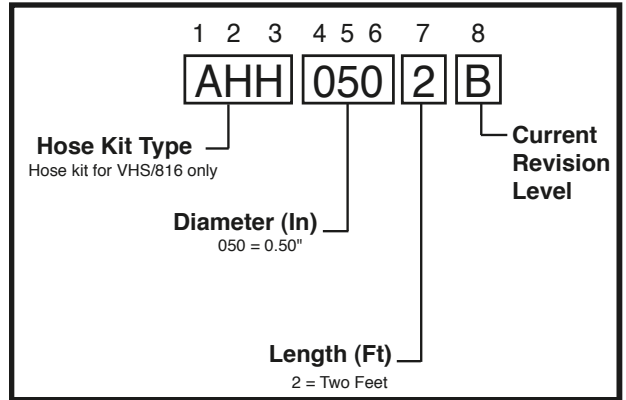
Part #	Hose Size inches [mm]	Length feet [cm]	Working Pressure psi [kPa]	Min. Burst Pressure psi [kPa]	Min. Bend Radius inches [mm]
AHS1502	1.50 [38.1]	2 [61]	300 [2067]	1200 [8268]	8.5 [229]
AHS2002	2.00 [50.8]	2 [61]	300 [2067]	1200 [8268]	9.5 [254]

ClimateMaster works continually to improve its products. As a result, the design and specifications of each product at the time of order may be changed without notice and may not be as described herein. Please contact ClimateMaster's Customer Service Department at 1-405-745-6000 for specific information on the current design and specifications. Statements and other information contained herein are not express warranties and do not form the basis of any bargain between the parties, but are merely ClimateMaster's opinion or commendation of its products. The latest version of this document is available at climatemaster.com.

AHH**** 1/2", 3/4" and 1" (TRM/816 series only)
Stainless Steel Braided Hose Kit

Specifications:

- Designed for water source heat pump applications.
 - Kevlar® reinforced EPDM core with ANSI 302/304 stainless steel outer braid.
 - Fire rated materials per ASTM E 84-00 (NFPA 255, ANSI/UL 723 & UBC 8-1).
 - NPT (E) (External Pipe Thread) connection at one end; swivel connector with NPSH* Thread with fiber or EPDM washer, shipped inside connection.
 - Swivel connection provides union between chassis and risers.
 - Brass fittings, stainless steel ferrules.
 - Fluid Temperature range of 15°F [9°C] to 180°F [82°C] (Operation below 32°F [0°C] requires antifreeze).
 - Max. working pressure of 400 psi [2756 kPa].
 - Min. burst pressure of four times working pressure.
- * - Compatible with BSPPM fitting in TRM/816 chassis.



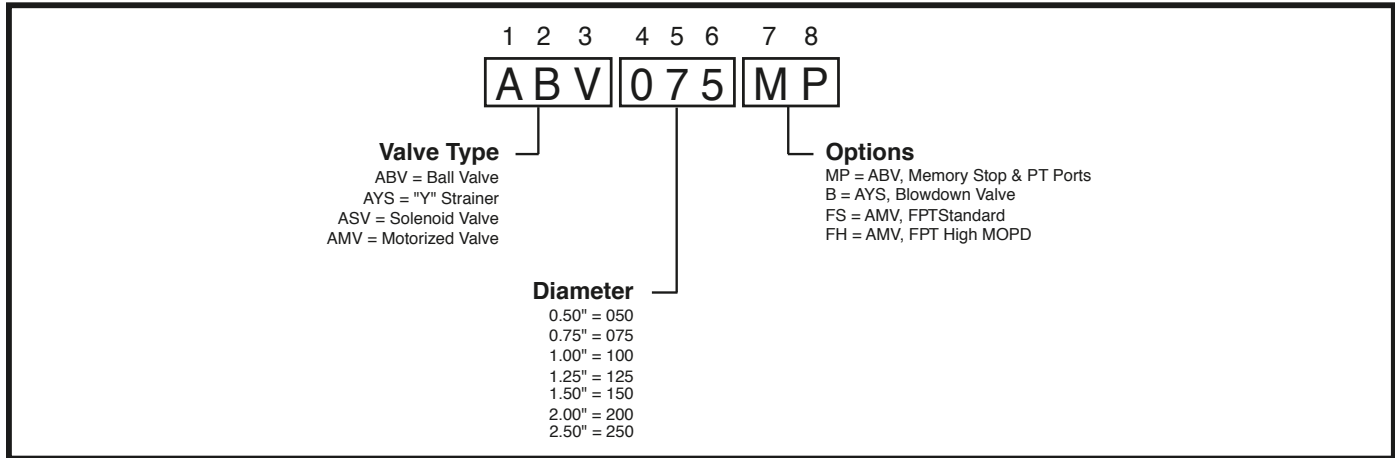
Unit Size	Water Connection Diameter Table (inches)	
	TRM	816
015 - 020	0.75	0.50
024-036	1.00	0.75

Physical Data

Part #	Hose Size inches [mm]	Length feet [cm]	Working Pressure psi [kPa]	Min. Burst Pressure psi [kPa]	Min. Bend Radius inches [mm]
AHH0502B	0.50 [12.7]	2 [61]	400 [2756]	1600 [11024]	2.5 [63.5]
AHH0753B	0.75 [19.1]	3 [91]	400 [2756]	1600 [11024]	4.5 [114.3]
AHH1003B	1.00 [25.4]	3 [91]	400 [2756]	1600 [11024]	5.5 [139.7]

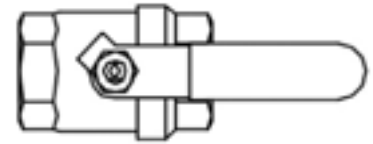
ClimateMaster works continually to improve its products. As a result, the design and specifications of each product at the time of order may be changed without notice and may not be as described herein. Please contact ClimateMaster's Customer Service Department at 1-405-745-8000 for specific information on the current design and specifications. Statements and other information contained herein are not express warranties and do not form the basis of any bargain between the parties, but are merely ClimateMaster's opinion or commendation of its products. The latest version of this document is available at climatemaster.com.

Water Valves and Strainers



ABV* Bronze Ball Valve**

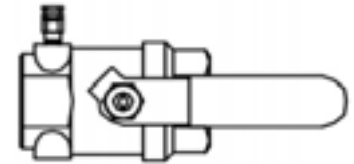
- IPT x IPT with Bronze material
- Designed for water source heat pump applications.
- Temperature range of -40° to 200°F [-40° to 93°C].
- Full flow ball valve Class 125 (400 psig [2763 kPa] WOG @ 150°F [66°C])



Model	Diameter inch	Cv
ABV050	0.50"	24
ABV075	0.75"	44
ABV100	1.00"	68
ABV120	1.25"	137
ABV150	1.50"	257
ABV200	2.00"	342
ABV250	2.50"	428

ABV*MP Bronze Ball Valve with P/T Port and Memory Stop**

- IPT x IPT with Bronze material
- Designed for water source heat pump applications.
- Temperature range of -40° to 200°F [-40° to 93°C].
- Full flow ball valve Class 125 (400 psig [2763 kPa] WOG @ 150°F [66°C] with integral pressure/temperature (P/T) plug and memory stop.



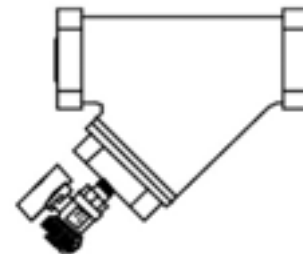
Model	Diameter inch	Cv
ABV050MP	0.50"	24
ABV075MP	0.75"	44
ABV100MP	1.00"	68
ABV120MP	1.25"	137
ABV150MP	1.50"	257
ABV200MP	2.00"	342
ABV250MP	2.50"	428

ClimateMaster works continually to improve its products. As a result, the design and specifications of each product at the time of order may be changed without notice and may not be as described herein. Please contact ClimateMaster's Customer Service Department at 1-405-745-6000 for specific information on the current design and specifications. Statements and other information contained herein are not express warranties and do not form the basis of any bargain between the parties, but are merely ClimateMaster's opinion or commendation of its products. The latest version of this document is available at climatemaster.com.

Water Valves and Strainers

AYS*B "Y" Strainer w/ Blowdown**

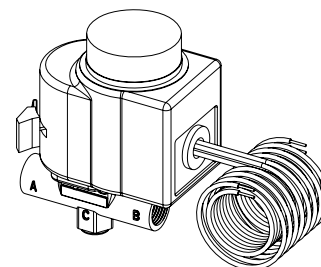
- IPT x IPT with Bronze material
- Designed for water source heat pump applications.
- Temperature range of -40° to 200°F [-40° to 93°C].
- Strainer includes #20 stainless steel wire mesh
- Class 125 working pressure (400 psig [2763 kPa] WOG @ 150°F [66°C])



Model	Diameter inch
AYS050B	0.50"
AYS075B	0.75"
AYS100B	1.00"
AYS120B	1.25"
AYS150B	1.50"
AYS200B	2.00"
AYS250B	2.50"

AMV*F* "Motorized Water Valve Kit**

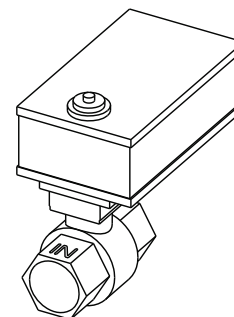
- IPT x IPT with brass body material
- Slow Closing Quiet operation - 24VAC with 60" [152 cm] leads
- Temperature range of 32° to 240°F [0° to 115°C].
- Working pressure (300 psig [2072 kPa] WOG @ 150°F [66°C])



Model	Diameter inch	MOPD	Cv
AMV050FHS	0.50"	150	4.9
AMV075FHS	0.75"	150	10.3
AMV100FHS	1.00"	150	8.9

AMV*F* "Motorized Water Valve Kit**

- IPT x IPT with brass body material
- Full Port Stainless Steel ball, spring return.
- Slow Closing Quiet operation - 24VAC with 36" [91 cm] leads
- Temperature range of -40° to 200°F [-40° to 93°C].
- Working pressure (400 psig [2763 kPa] WOG @ 150°F [66°C])



Model	Diameter inch	MOPD	Cv
23B0040N01	1.25"	150	19
23B0041N01	1.50"	150	37
23B0042N01	2.00"	150	57

ClimateMaster works continually to improve its products. As a result, the design and specifications of each product at the time of order may be changed without notice and may not be as described herein. Please contact ClimateMaster's Customer Service Department at 1-405-745-6000 for specific information on the current design and specifications. Statements and other information contained herein are not express warranties and do not form the basis of any bargain between the parties, but are merely ClimateMaster's opinion or commendation of its products. The latest version of this document is available at climatemaster.com.

ALCP Loop Control Panel

Description

The Micro Temp Controller is completely programmable loop control panel. Each output may operate based upon time and day, water temperature, or both, for a total of 12 control outputs. Three additional outputs are supplied for time and day programming for auxiliary equipment, i.e. lighting. The main loop pumps are programmable for lead/lag control and time and day on/off with a dry contact input to override the schedule and bring pumps on.

Application

Boiler/Cooling tower loop control. Not for geothermal units.

Standard Control Features

- Dimensions 16.5" H x 15" W x 6.5" D [41.9cm x 38.1cm x 16.5cm]
- Input Power 120Vac -1-60.
- Microprocessor based control.
- Lock code to protect against unauthorized use.
- Time out so user cannot leave in program mode.
- Indicator lights display pump, alarm and output status.
- Solid state relays.
- LCD displays - temperatures, flow time & programming data.
- Seven day timer with provisions for Mon. - Fri., Sat. & Sun.
- Automatic pump switch-over in the event of flow loss.
- Outputs can be programmed to operate on time and/or temperature.
- Alarm initiated by high temp, low temp, or no flow.
- Range - Low temp alarm (35F to 75F) low temp shutdown (33F to 90F); high temp alarm (75F to 120F) high temp shutdown (75F to 120F)
- Of the 16 outputs, 4 are dedicated to pumps 1 & 2, alarm and shutdown. The remaining 12 outputs available to control your system requirements. The ALCP2004-20 has eight additional outputs available.
- Dry contacts are rated for 2.0 A @ 14 to 240 VAC.
- Relays connections are made through screw type terminal block.
- Simulator provided to test program prior to start-up.
- Outdoor air temperature sensor with 50 feet of cable
- Water temperature sensor with 50 feet of cable
- The enclosure shall be CSA and UL listed.
- Optional Flow Switch



ALCP Controller



Outdoor Air Sensor, Water Temperature Sensor and Simulator (Included)



Flow Switch (Optional)

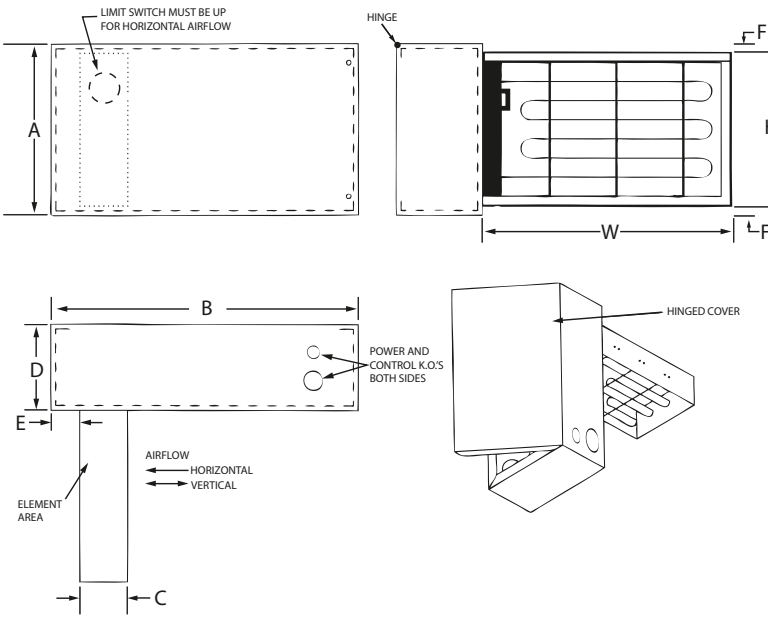
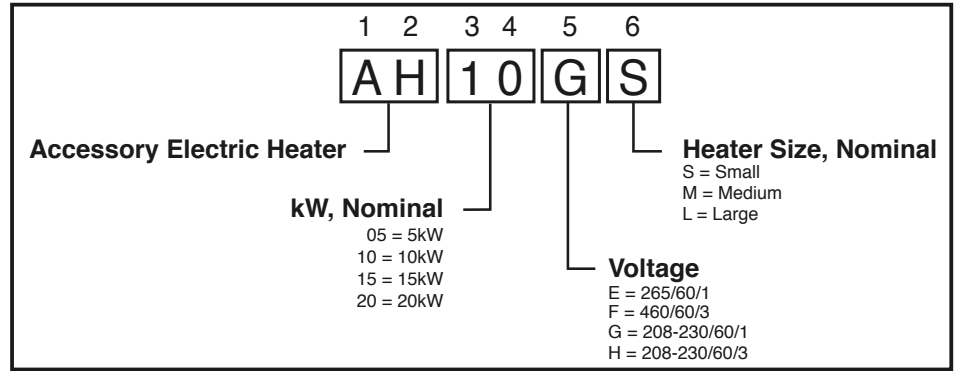
Model	Description
ALCP2004	2 Pump with 14 programmable outputs
ALCP2004-20	2 Pump with 22 programmable outputs
68263800	Flow Switch

ClimateMaster works continually to improve its products. As a result, the design and specifications of each product at the time of order may be changed without notice and may not be as described herein. Please contact ClimateMaster's Customer Service Department at 1-405-745-6000 for specific information on the current design and specifications. Statements and other information contained herein are not express warranties and do not form the basis of any bargain between the parties, but are merely ClimateMaster's opinion or commendation of its products. The latest version of this document is available at climatemaster.com.

Accessory Electric Heater - AH

Description

- UL and CSA Listed
- Integral control box
- "Stab in" configuration
- Primary and secondary limit protection
- Recessed terminal connection
- Magnetic de-energizing contactors
- Fan relay control
- UL/NEC circuit fusing
- Hinged control box door
- Leaving air temperature should not exceed 135°F (57°C), auto reset limit switch is 145°F (62°C).



Electrical Data

Model	Voltage	Hz	Phase	*kW	Amps	Steps	Minimum Air Velocity Ft/Min.
5	208	60	1	3.6	17.3	1	420
	240	60	1	4.8	20.0		520
	208	60	3	3.8	10.4		480
	240	60	3	5.0	12.0		480
	277	60	1	5.0	18.1		480
	480	60	3	5.0	6.0		530
10	208	60	1	7.2	34.6	2	500
	240	60	1	9.6	40.0	2	680
	208	60	3	7.4	20.7	2	500
	240	60	3	9.9	23.9	2	650
	277	60	1	10.0	36.1	2	640
	480	60	3	10.0	12.0	1	640
15	208	60	1	10.0	51.9	3	600
	240	60	1	14.4	60.0	3	900
	208	60	3	11.2	31.0	2	800
	240	60	3	15.0	36.0	2	900
	277	60	1	15.0	54.2	3	870
	480	60	3	15.0	18.1	1	900
20	208	60	1	14.4	69.2	4	900
	240	60	1	19.2	80.0	4	970
	208	60	3	14.8	41.3	3	900
	240	60	3	19.8	47.7	3	970
	277	60	1	20.0	72.2	4	870
	480	60	3	20.0	24.1	2	910

*Maximum kW if all steps are wired in.

Heater Dimensions

Model	A	B	C	D	E	F	W	H	Element Area (Sq. Ft)
AH05-S	14	10	3	4	2	1	11.5	12	1.0
AH10-M	16	14	3	4	2	1	12.5	14	1.2
AH10-L	17	10	3	4	2	1	15.5	15	1.6
AH15-M	16	16	6	4	2	1	12.5	14	1.2
AH15-L	17	15	3	4	2	1	15.5	15	1.6
AH20-L	17	15	3	4	2	1	15.5	15	1.6

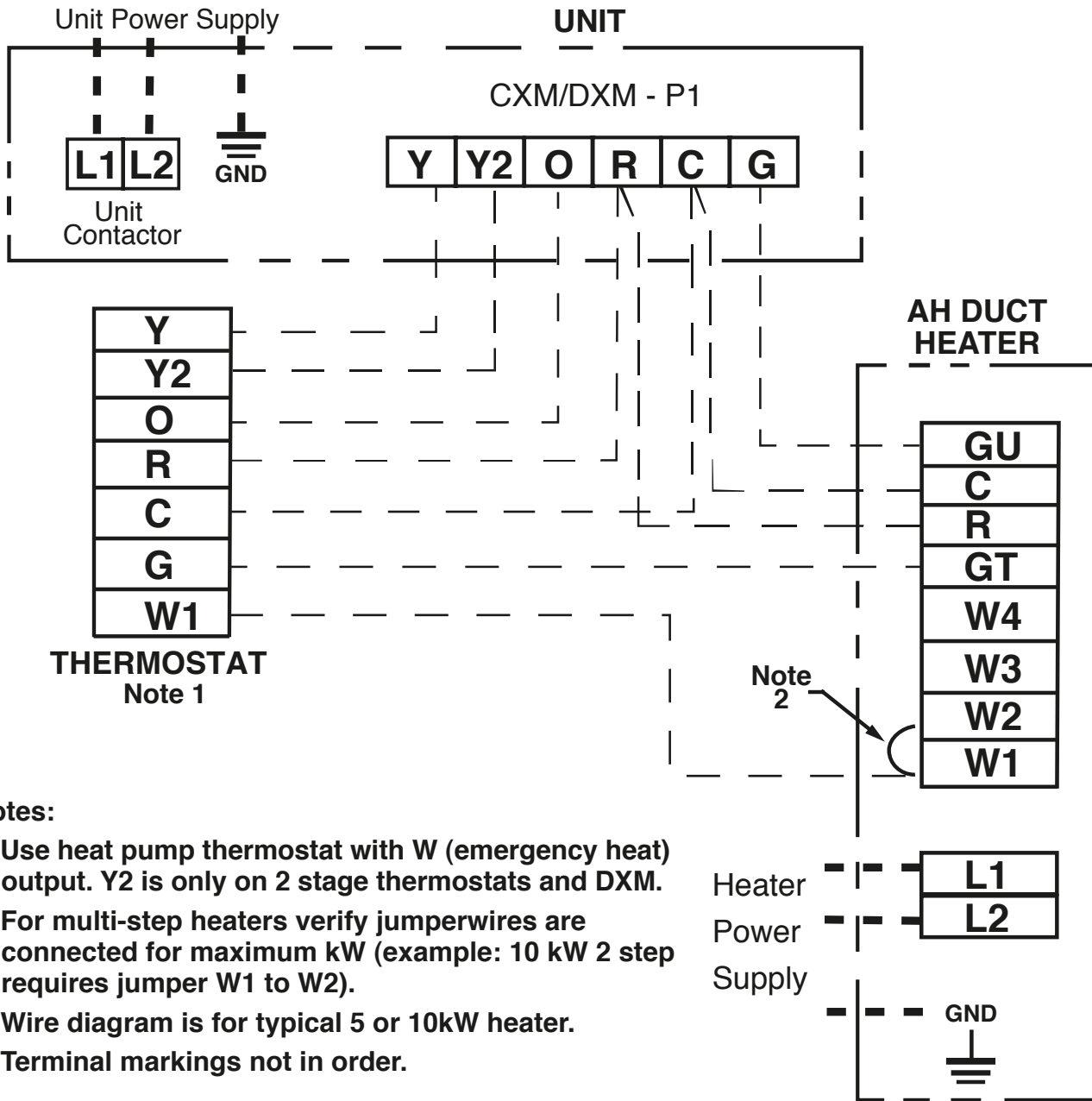
All Dimensions are ± 1/4"

NOTES:

1. For electric heat in boilerless applications, unit must have DXM option or electric heat with MPC; must also order ASKHTR - Relay kit, (see 97B0012N07 IOM for wiring and DIP settings).
2. For 3 and 4 step heaters, use pilot duty relay part number 13B0004N01 (see 97B0012N07 IOM for wiring).

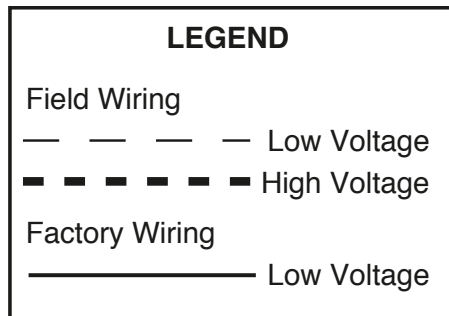
ClimateMaster works continually to improve its products. As a result, the design and specifications of each product at the time of order may be changed without notice and may not be as described herein. Please contact ClimateMaster's Customer Service Department at 1-405-745-6000 for specific information on the current design and specifications. Statements and other information contained herein are not express warranties and do not form the basis of any bargain between the parties, but are merely ClimateMaster's opinion or commendation of its products. The latest version of this document is available at climatemaster.com.

Accessory Electric Heater - AH



Notes:

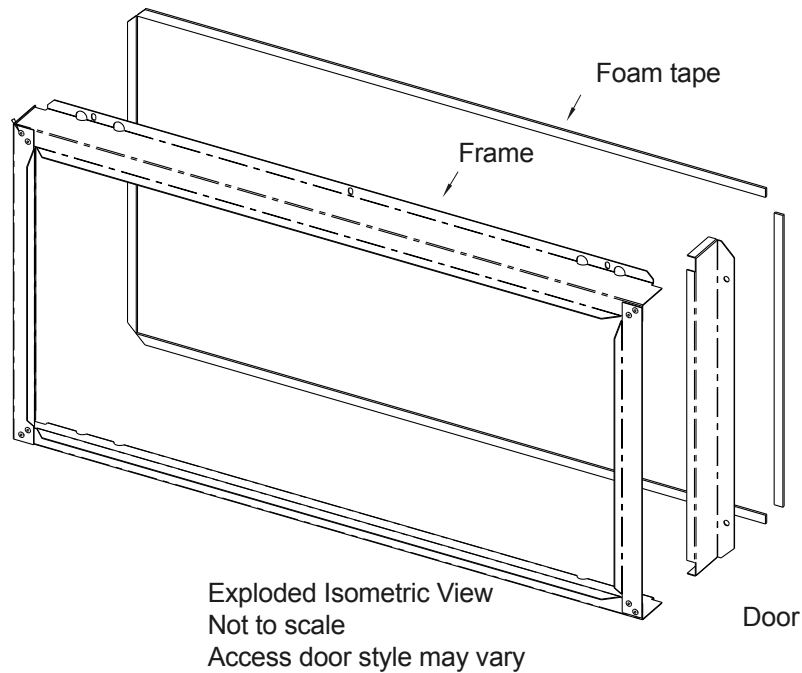
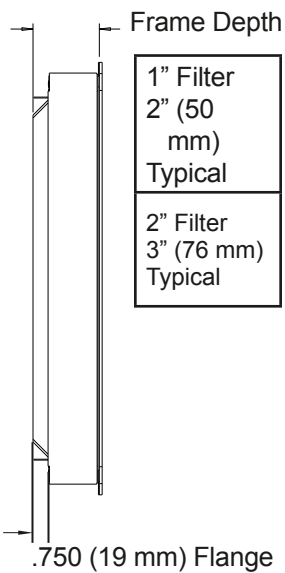
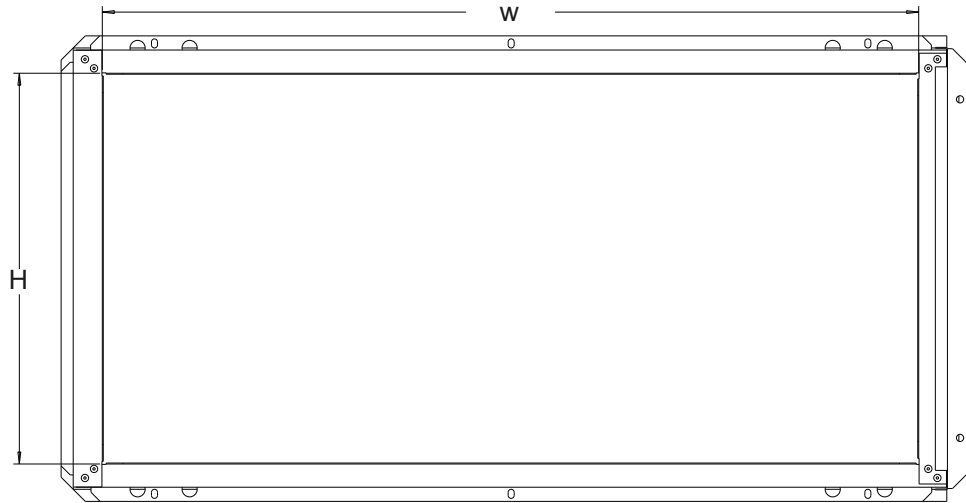
1. Use heat pump thermostat with W (emergency heat) output. Y2 is only on 2 stage thermostats and DXM.
2. For multi-step heaters verify jumperwires are connected for maximum kW (example: 10 kW 2 step requires jumper W1 to W2).
3. Wire diagram is for typical 5 or 10kW heater.
4. Terminal markings not in order.



AFF----- 1" and 2" Air Filter Frame

Description:

- Air filter frame with filter access door.
- Integral flanges for air duct connection
- Field installed.
- Galvanized steel painted or unpainted to match heat pump cabinet.
- Select frame from Table 1.



ClimateMaster works continually to improve its products. As a result, the design and specifications of each product at the time of order may be changed without notice and may not be as described herein. Please contact ClimateMaster's Customer Service Department at 1-405-745-6000 for specific information on the current design and specifications. Statements and other information contained herein are not express warranties and do not form the basis of any bargain between the parties, but are merely ClimateMaster's opinion or commendation of its products. The latest version of this document is available at climatemaster.com.

Accessory Filter Frames - Table 1

Unit Series	Unit Size	Part Number 1" (25mm)	Flange Dimension " (cm)		Part Number 2" (50mm)	Flange Dimension " (cm)	
			H	W		H	W
TCH TRH TYH TZH	006 - 012	AFF10181NRS	8.1 (21)	15.6 (40)	AFF10182NRS	8.1 (21)	15.6 (40)
	015 - 018	AFF16251NRS	14.1 (36)	22.7 (55)	AFF16252NRS	14.1 (36)	22.7 (55)
	024 - 030	AFF18251NRS	15.9 (41)	22.7 (55)	AFF18252NRS	15.9 (41)	22.7 (55)
	036 - 042	AFF20281NRS	18.1 (46)	25.8 (60)	AFF20282NRS	18.1 (46)	25.8 (60)
	048 - 060	AFF20381NRS	18.1 (46)	35.8 (86)	AFF20382NRS	18.1 (46)	35.8 (86)
TCV TRV TYV TZV	006 - 012	AFF10181NRS	8.1 (21)	15.6 (40)	AFF10182NRS	8.1 (21)	15.6 (40)
	015 - 030,041	AFF20201NRS	18.1 (46)	18.1 (46)	AFF20202NRS	18.1 (46)	18.1 (46)
	036 - 042	AFF24241NRS	22.1 (56)	22.6 (55)	AFF24242NRS	22.1 (56)	22.6 (55)
TRV/TZV	048 - 060	AFF28281NRS	26.1 (66)	25.8 (66)	AFF28282NRS	26.1 (66)	25.8 (66)
TCV/TYV		AFF32241NRS	22.1 (56)	29.1 (74)	AFF32242NRS	22.1 (56)	29.1 (74)
TCV	072-120	AFF20651NRS	18.0 (46)	59.9 (152)	AFF20652NRS	18.0 (46)	59.9 (152)
TSH	006 - 012	AFF16201BRS	14.2 (36)	17.7 (45)	AFF16202BRS	14.2 (36)	17.7 (45)
	018 - 030	AFF18361BRS	16.2 (41)	33.8 (86)	AFF18362BRS	16.2 (41)	33.8 (86)
	036	AFF20371BRS	18.2 (46)	34.8 (88)	AFF20372BRS	18.2 (46)	34.8 (88)
	042 - 048	AFF20421BRS	18.2 (46)	39.8 (101)	AFF20422BRS	18.2 (46)	39.8 (101)
	060 - 070	AFF20481BRS	18.2 (46)	44.8 (114)	AFF20482BRS	18.2 (46)	44.8 (114)
TSV	006 - 012	AFF16201BRS	14.2 (36)	17.7 (45)	AFF16202BRS	14.2 (36)	17.7 (45)
	018	AFF24241BRS	22.2 (56)	22.2 (56)	AFF24242BRS	22.2 (56)	22.2 (56)
	024-030	AFF28241BRS	26.2 (67)	22.2 (57)	AFF28242BRS	26.2 (67)	22.2 (57)
	036	AFF28301BRS	26.2 (67)	27.2 (69)	AFF28302BRS	26.2 (67)	27.2 (69)
	042 - 048	AFF32301BRS	30.2 (77)	27.2 (69)	AFF32302BRS	30.2 (77)	27.2 (69)
	060 - 070	AFF36301BRS	34.2 (87)	27.2 (69)	AFF36302BRS	34.2 (87)	27.2 (69)
TTH	026	AFF18361BRS	16.2 (41)	33.8 (86)	AFF18362BRS	16.2 (41)	33.8 (86)
	038	AFF20371BRS	18.2 (46)	34.8 (88)	AFF20372BRS	18.2 (46)	34.8 (88)
	049	AFF20421BRS	18.2 (46)	39.8 (101)	AFF20422BRS	18.2 (46)	39.8 (101)
	064	AFF20481BRS	18.2 (46)	44.8 (114)	AFF20482BRS	18.2 (46)	44.8 (114)
	072	AFF20481BRS	18.2 (46)	44.8 (114)	AFF20482BRS	18.2 (46)	44.8 (114)
TTV	026	AFF28241BRS	26.2 (67)	22.2 (56)	AFF28242BRS	26.2 (67)	22.2 (56)
	038	AFF28301BRS	26.2 (67)	27.2 (69)	AFF28302BRS	26.2 (67)	27.2 (69)
	049	AFF32301BRS	30.2 (77)	27.2 (69)	AFF32302BRS	30.2 (77)	27.2 (69)
	064	AFF36301BRS	34.2 (87)	27.2 (69)	AFF36302BRS	34.2 (87)	27.2 (69)
	072	AFF36301BRS	34.2 (87)	27.2 (69)	AFF36302BRS	34.2 (87)	27.2 (69)

All Dimensions +/- .2 in. (5 mm)

Accessory Secondary Drain Pans

TS & TT Secondary Drain Pan

Model	Part Number (Carton of 10)	Width W	Length L	Depth D	Overall Height H	
					Min.	Max.
018 - 030	ASDPADBSC	27.1	66.5	1.9"	4.125"	6.5"
036 - 038	ASDPACBSC	30.0	75.5	1.9"	4.125"	6.5"
042 - 049	ASDPABBSC	30.0	80.5	1.9"	4.125"	6.5"
060 - 072	ASDPAABSC	30.0	85.5	1.9"	4.125"	6.5"

1 2 3 4 5 6 7 8 9

ASDP A A B S C

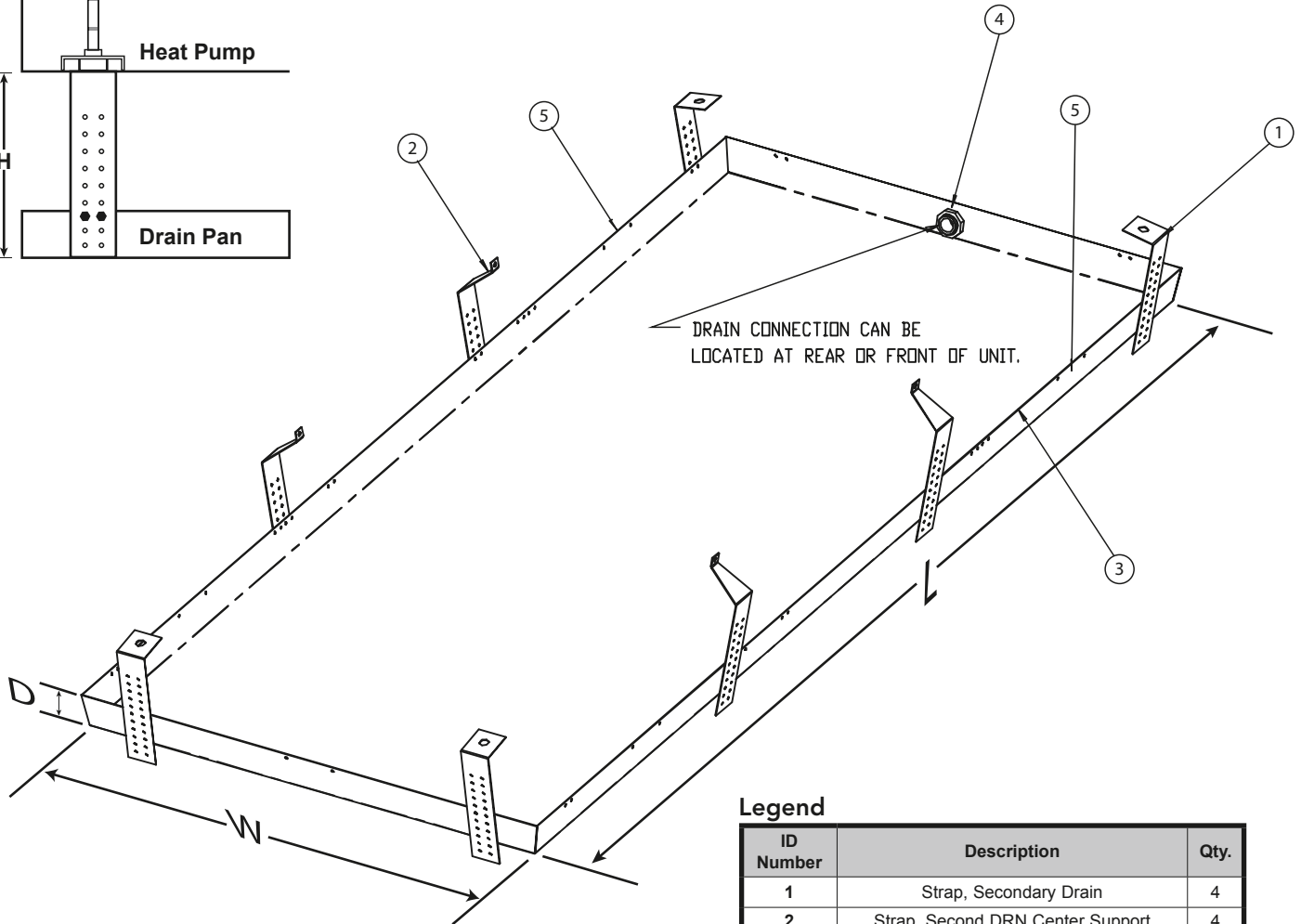
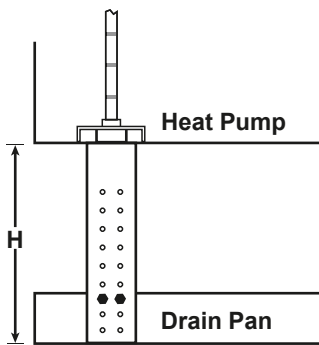
ACCESSORY SECONDARY DRAIN PAN

REVISION LEVEL
A = Current

COLOR
B = Black

SIZE
A = 85.5"
B = 80.5"
C = 75.5"
D = 66.5"

C = COMMERCIAL
S = STANDARD



Legend

ID Number	Description	Qty.
1	Strap, Secondary Drain	4
2	Strap, Second DRN Center Support	4
3	Secondary Drain	1
4	ADPTR PVC 3/4MPT x 3/4 FPT	1
5	Condensate Sensor Possible Locations	2

ClimateMaster works continually to improve its products. As a result, the design and specifications of each product at the time of order may be changed without notice and may not be as described herein. Please contact ClimateMaster's Customer Service Department at 1-405-745-6000 for specific information on the current design and specifications. Statements and other information contained herein are not express warranties and do not form the basis of any bargain between the parties, but are merely ClimateMaster's opinion or commendation of its products. The latest version of this document is available at climatemaster.com.

Revision History

Date:	Item:	Action:
11/26/12	Accessory Secondary Drain Pan	Added
08/31/12	Accessory Electric Heater	Updated
04/30/12	Pages 4, 25	Added TZ/TY Updated TRV/TCV filter frames
01/23/12	Pages 4, 25	Added TCV041 to tables
10/03/11	Accessory Filter Frame Table	Updated
06/22/11	R-22 Products AH Heaters	Removed Updated Dimensions
01/03/11	Format - All Pages	Updated
06/11/10	Format - All Pages	Updated
07/22/09	Accessory Electric Heater	Electrical Data Table Updated
07/01/09	Filter Frame Table	TSH006-012 Added, Flange Dimensions Corrected
06/16/09	AMV050FHS Water Valve	Information and Drawing Updated
06/10/09	Stand-Alone and Big Book Submittals	Consolidated
06/04/09	Air Filter Frame Table	TCH and TCV Added
04/23/09	Unit Water Connection Sizes Table	Updated
08/21/08	AHB, AHC	Verbiage Updated
08/21/08	Flow Rate Tables	Added Operating Differential Information
06/18/08	ALCP Loop Control Panel	Updated Verbiage, added sensor and simulator photos
05/30/08	AHA, AHB, AHK, AHC, AHH, AHS	Updated Verbiage
05/30/08	AHA, AHB, AHK, AHC, AHH, AHS	Updated Drawings
05/16/08	AFF Information	Created
05/12/08	All	Updated Verbiage
05/12/08	AHS Pages	Edited hose graphics
05/12/08	AHH Hose Page	Created
05/12/08	Decoder	Added 'AHS' hose kit type
10/17/07	All	Minor formatting updates
10/17/07	Electric Heaters	Updated dimensional data
10/17/07	Decoders	Updated all accessory decoders
10/17/07	Change Log	Added
01/01/07	Thermostat	Replaced With New Thermostat Line
01/01/06	First Published	