

Rotary Compressor for Air Conditioning



LG Electronics Inc.

World Best Compressor Supply through Global Production

LG provides extensive product line for air conditioning through over 17.5 million units of manufacturing capacity globally.

Global Plants

- TianJin Factory, China



Rotary Compressor

- 2008. production capacity : 7.0M sets
- 2009. production capacity : 8.0M sets
- 2010. production capacity : 9.0M sets

- Changwon Factory, Korea



Rotary & Scroll Compressor

- 2008. production capacity : 4.5M sets
- 2009. production capacity : 5.0M sets
- 2010. production capacity : 5.5M sets

- Rayong Factory, Thailand

- Rayong Factory, Thailand



Rotary Compressor

- 2008. production capacity : 2.0M sets
- 2009. production capacity : 2.5M sets
- 2010. production capacity : 3.0M sets

Rotary Compressor for Air Conditioning



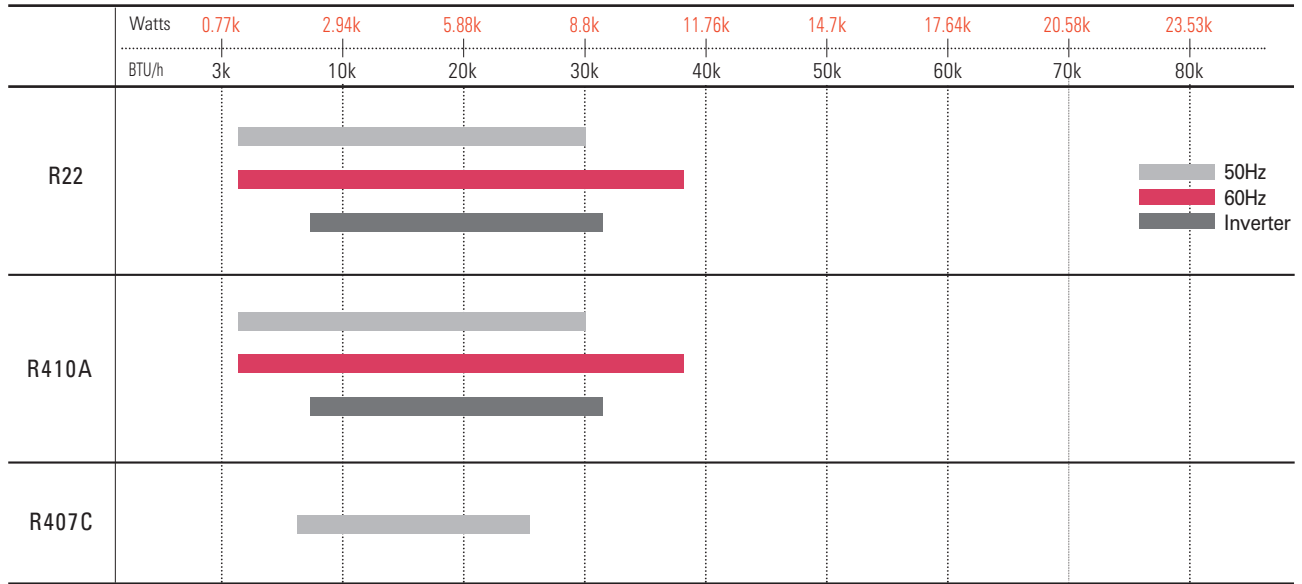
● Product Line-up Range	7
● Model Name code : Engineering Code	7
● Rotary Compressor	
- Inverter Rotary	8
- Inverter Rotary for ATW (Air to Water) Heat Pump	9
- Rotary [R410A 60Hz] for North America	10
- Rotary [R410A 50Hz] for Europe	14
- Rotary [R22 50Hz] for Asia / Latin America	17
- Rotary [R22 60Hz] for Asia / Latin America	22
- Rotary [R22 50Hz] for Tropical	26
- Rotary [R22 60Hz] for Tropical	28
- Rotary [R410A 50Hz / 60Hz] for Tropical	29
- IRotary [R134a 50Hz / 60Hz]	31
- Wide Range Rotary [R22/50Hz]	33

Brief History

- 1990** Started Rotary Compressor Production (QA & QK series)
- 1994** Developed 20 frame Compressor (QJ series)
ISO 9001 Certification from BSI-QA
- 1996** Developed Rotary Compressor
ISO 14001 Certification from BSI-QA
- 1997** Developed R407C Rotary Compressor
Developed 30 frame Compressor (QP series)
- 1998** Started Rotary Compressor Production in Tianjin, China
Developed R410A Rotary Compressor
- 1999** Accomplished Accumulated Production 10 million
- 2001** Accomplished Accumulated Production 20 million
- 2002** Increased Global Production Capacity to 10 million
Accomplished Accumulated Production 30 million
- 2003** Started Rotary Compressor Production in Rayong, Thailand
Developed Twin Rotary Compressor
- 2005** Developed DC Inverter Rotary Compressor
- 2006** Developed Modulation Rotary Compressor
- 2009** A/C Compressor Cumulative Production reaches 120 million
Developed BLDC Rotary Compressor
- 2010** Developed 15RT Large Scroll
Developed R410A

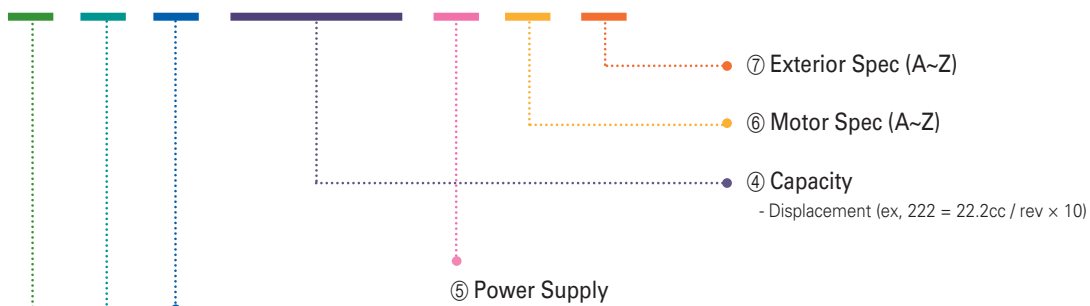


Product Range



Model Name Code

Q J T 2 2 2 K A A



③ Generation Code

- D : 2-Stage Twin Rotary
- M : Modulation
- S : Super EER
- T : Twin Rotary
- U : Ultra EER
- Empty Space

② Comp Size

- A : φ101
- K : φ112
- J : φ122
- P : φ139

① Refrigerant

- Q : R22
- N : R407C
- G : R410A

Series	Ph	Power Source(V)	Hz	Series	Ph	Power Source(V)	Hz
C	1	115	60	P	1	220~240	50
D	3	BLDC Inv.	—	M	3	BLDC Inv.	—
H	1	220	50	Q	1	265	60
J	1	200~220	50	R	3	220	60
K	1	208~230	60	U	3	380	60
N	3	SynRM Inv.	—	Y	3	380~420	50

Inverter Rotary

High Efficiency Design

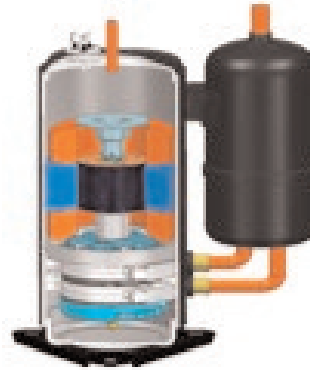
- High Efficiency Motor
- Optimize Compression & Mechanical Efficiency

High Reliability

- Minimize Oil Circulation by Oil Separation System
- PVE / POE Oil both available

Low Vibration & Noise

- Optimize Motor Core Design
- Twin Cylinder Mechanism for Wide Range Operation



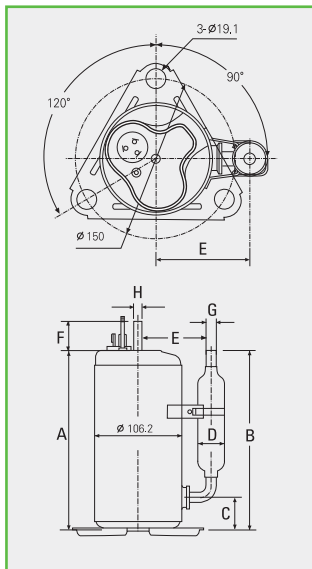
Distributed Winding



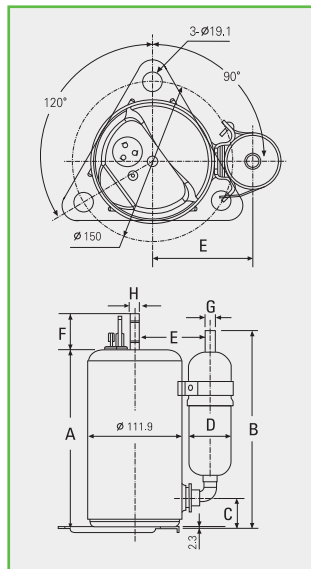
Concentrated Winding

Ref.	Series	Model	Power Source	Cooling Capacity		Motor Input (Watts)	EER (Btu/W.hr)	COP (W/W)	Dimensions							
				(Btu/hr)	(Watts)				A	B	C	D	E	F	G	H
R410A	GA	GA092MA	3PH DC280V	10095	2958	887	11.4	3.33	197.2	245.7	47.2	65	102.0	35	12.8	8.06
		GA102DB	3PH DC 280V	11000	3223	1000	11.0	3.22	227.6	256	46.3	75	102.0	35	12.8	8.06
		GA102MA	3PH DC280V	11000	3223	965	11.4	3.34	197.2	267.2	47.2	75	102.0	35	12.8	8.06
	GKT	GKT141D	3PH DC 280V	14500	4249	1343	10.8	3.16	302.6	353.4	61.4	90	118.2	35	12.8	9.70
		GKT141M	3PH DC 280V	14800	4337	1320	11.2	3.29	302.6	341.0	85.0	75	109.6	35	12.8	9.70
		GKT176D	3PH DC 380V	18700	5480	1700	11.0	3.22	302.3	347.5	49.1	75	109.6	35	16.0	9.70
		GKT176M	3PH DC 280V	19000	5568	1670	11.4	3.33	302.3	348.0	73.0	75	109.6	35	16.0	9.70
	GJT	GJT240DA	3PH DC 380V	25100	7355	2320	10.8	3.17	320.1	356.0	65.5	75	113.0	33	16.0	9.70
		GJT240DB	3PH DC 380V	25300	7414	2325	10.9	3.19	320.1	356.0	65.5	75	113.0	33	16.0	9.70
	GPT	GPT330DA	3PH DC 380V	26700	7824	2405	11.1	3.25	399.2	367.3	75.8	75	124.0	33	18.0	12.70
		GPT425DA	3PH DC 520V	48000	14066	4250	11.3	3.31	399.2	367.3	75.8	75	124.0	33	18.0	12.70
		GPT425DB	3PH DC 520V	48000	14066	4325	11.1	3.25	399.2	367.3	75.8	75	124.0	33	18.0	12.70

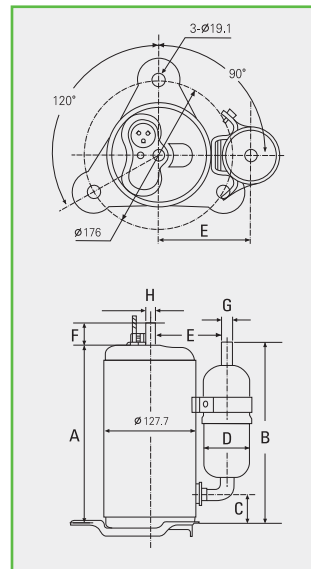
GA



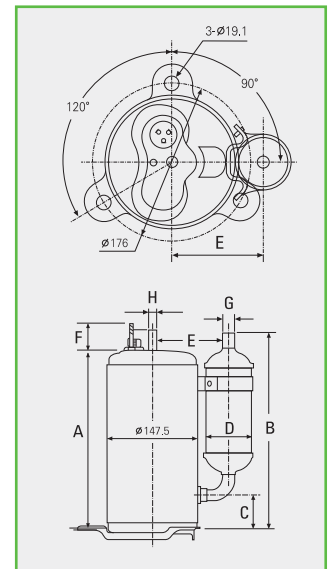
GKT



GJT



GPT

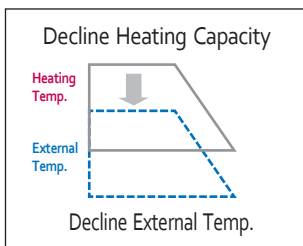


■ 2-Stage Inverter Rotary

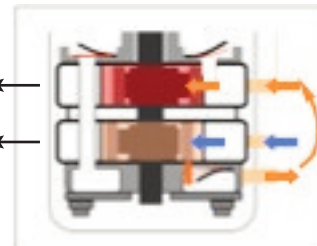
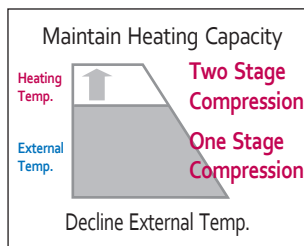
- Maximize Heating Capacity
- Low Ambient Temp. Operation



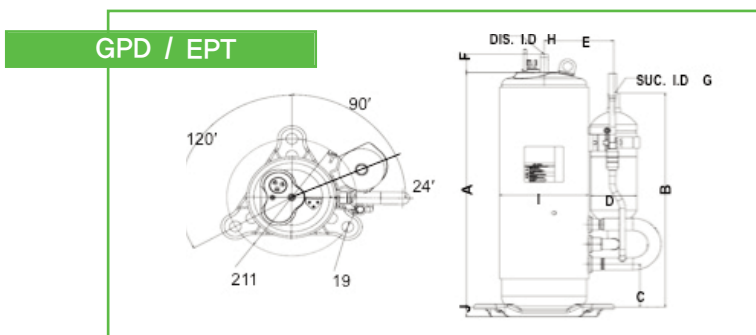
Before



Two Stage Compression



Ref.	Series	Model	Power Source	Cooling Capacity		Motor Input (Watts)	EER (Btu/W.hr)	COP (W/W)	Dimensions							
				(Btu/hr)	(Watts)				A	B	C	D	E	F	G	H
R410A	GPD	GPD420DA	3PH DC 520V	47000	13773	4352	10.8	3.16	422.2	385.2	113.2	75	113.7	40	18	12.7
		GPD420DB	3PH DC 380V	46700	13685	4400	10.6	3.11	422.2	385.2	113.2	75	113.7	40	18	12.7
		GPD330DB	3PH DC 380V	31400	9201	2830	11.1	3.25	422.2	385.2	113.2	75	113.7	40	18	12.7
R407C	NPT	NPT525DA	3PH DC 520V	42850	12557	3600	11.9	3.49	398.3	366.4	75.0	75	124.0	33	18	12.7
	NPT	NPT525DB	3PH DC 380V	43700	12806	3642	12.0	3.52	398.3	366.4	75.0	75	124.0	33	18	12.7
R134A	EPT	EPT525DB	3PH DC 380V	26062	7637	2287	11.4	3.34	398.3	366.4	75.0	75	124.0	33	18	12.7



Rotary [R410A 60Hz] for North America

■ Features

- Full Line-up with various efficiency : Standard, Super, Ultra EER
- World Highest Efficiency in non-inverter Rotary
- Single and Twin Cylinder available



■ High Efficiency

Optimized design for High Efficiency
Maximize Motor Efficiency

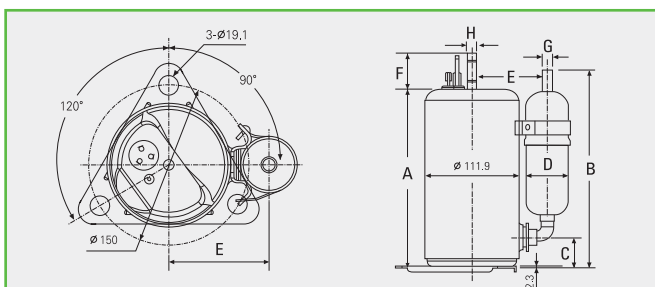
■ Reliability Excellence

New Design by two supporting structure
Maintain optimized oil circulation

Ultra EER

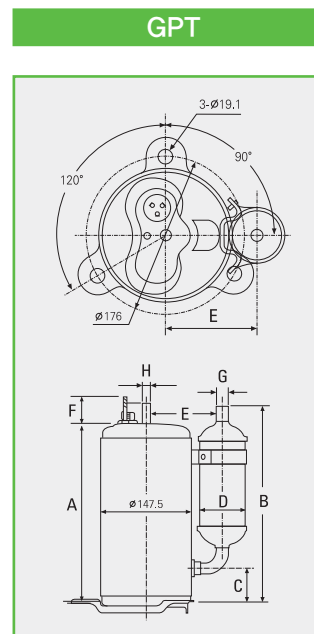
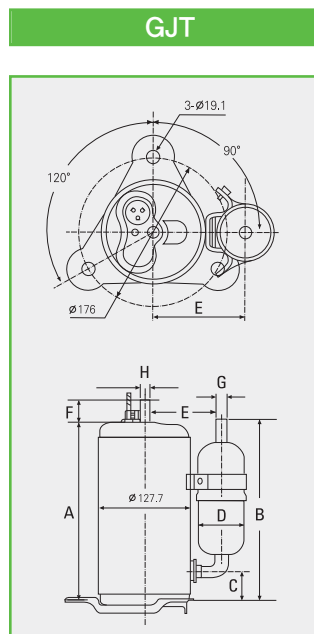
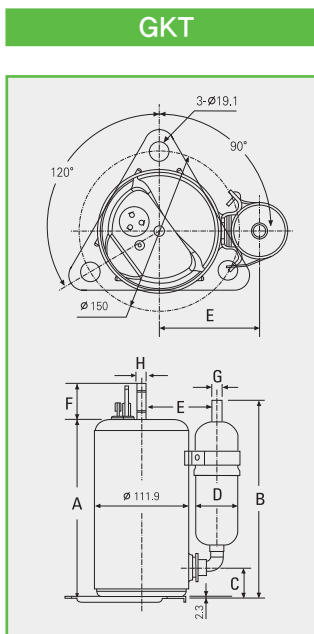
Power Source	Series	Model	Cooling Capacity		Motor Input (Watts)	EER (Btu/W.hr)	COP (W/W)	Dimensions							
			(Btu/hr)	(Watts)				A	B	C	D	E	F	G	H
1PH, 208-230V	GK	GKU080K	8050	2359	739	10.9	3.19	224	265.9	43.6	50.8	93	35	9.7	8.06
		GKU086K	8700	2550	798	10.9	3.19	224.3	251.6	31.6	65.0	103	35	12.8	8.06
		GKU094K	9400	2755	862	10.9	3.19	224.3	251.6	31.6	65.0	103	35	12.8	8.06
		GKU108K	10650	3121	986	10.8	3.17	219.3	253.6	33.6	65.0	103	35	12.8	8.06
		GKU113K	11250	3297	1042	10.8	3.17	224.3	251.6	31.6	65.0	103	35	12.8	8.06
		GKS120K	12100	3546	1120	10.8	3.17	224.3	251.6	31.6	65.0	103	35	12.8	8.06
		GKS134K	13500	3957	1262	10.7	3.14	228.0	253.6	33.6	65.0	103	35	12.8	8.06
		GKS141K	14100	4132	1318	10.7	3.14	228.0	245.6	33.6	75.0	109	45	12.8	9.70
1PH, 260V	GK	GKU080Q	8050	2359	739	10.9	3.19	224.0	265.9	43.6	50.8	93	35	9.7	8.06
		GKU086Q	8800	2579	807	10.9	3.19	224.3	251.6	31.6	65.0	103	35	12.8	8.06
		GKU094Q	9400	2755	862	10.9	3.19	224.3	251.6	31.6	65.0	103	35	12.8	8.06
		GKU102Q	10100	2960	935	10.8	3.17	219.3	253.6	33.6	65.0	103	35	12.8	8.06
		GKU113Q	11250	3297	1042	10.8	3.17	224.3	251.6	31.6	65.0	103	35	12.8	8.06
		GKU120Q	12100	3546	1120	10.8	3.17	224.3	251.6	31.6	65.0	103	35	12.8	8.06
		GKU134Q	13500	3957	1262	10.7	3.14	228.0	253.6	33.6	65.0	103	35	12.8	8.06
		GKU141Q	14200	4162	1327	10.7	3.14	228.0	245.6	33.6	75.0	109	45	12.8	9.70
1PH, 115V	GK	GKU080C	8050	2359	745	10.8	3.17	224.0	265.9	43.6	50.8	93	35	9.7	8.06
		GKU086C	8700	2550	806	10.8	3.17	224.3	251.6	31.6	65.0	103	35	12.8	8.06
		GKU094C	9400	2755	870	10.8	3.17	224.3	251.6	31.6	65.0	103	35	12.8	8.06
		GKU102C	10100	2960	935	10.8	3.17	219.3	253.6	33.6	65.0	103	35	12.8	8.06
		GKU113C	11200	3283	1037	10.8	3.17	224.3	251.6	31.6	65.0	103	35	12.8	8.06
		GKU120C	12100	3546	1120	10.8	3.17	224.3	251.6	31.6	65.0	103	35	12.8	8.06
		GKU134C	13300	3898	1243	10.7	3.14	228.0	253.6	33.6	65.0	103	35	12.8	8.06
		GKU141C	14100	4132	1318	10.7	3.14	228.0	245.6	33.6	75.0	109	45	12.8	9.70
		GKU151C	15400	4513	1439	10.7	3.14	254.6	289.2	37.2	65.0	108	33	12.8	9.70

GK



Super EER

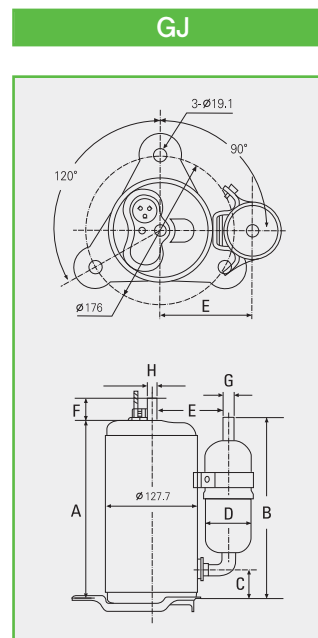
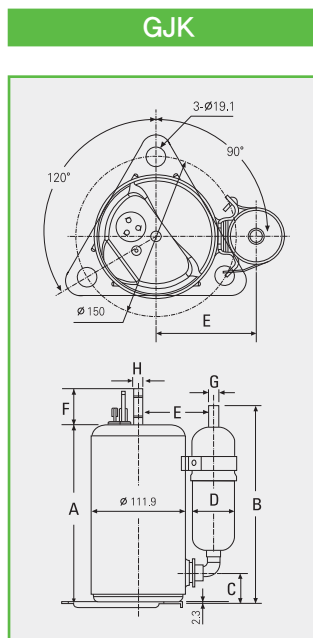
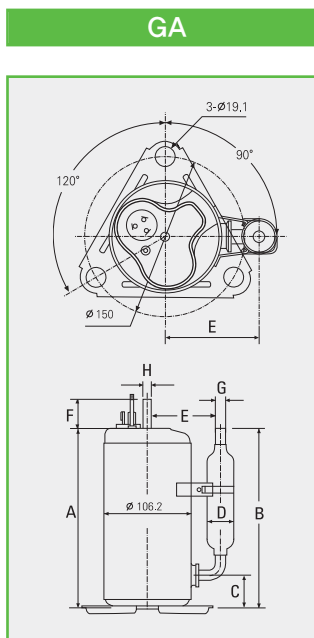
Power Source	Series	Model	Cooling Capacity		Motor Input (Watts)	EER (Btu/W.hr)	COP (W/W)	Dimensions							
			(Btu/hr)	(Watts)				A	B	C	D	E	F	G	H
1PH, 208-230V	GK	GKS086K	8750	2565	858	10.2	2.99	224.3	251.6	31.6	65.0	103.0	35	12.8	8.06
		GKS094K	9100	2667	919	9.9	2.90	224.3	251.6	31.6	65.0	103.0	35	12.8	8.06
		GKS108K	10700	3136	1038	10.3	3.02	224.3	251.6	31.6	65.0	103.0	45	12.8	8.06
		GKS113K	11050	3239	1094	10.1	2.96	224.3	251.6	31.6	65.0	103.0	35	12.8	8.06
		GKS120K	12100	3546	1163	10.4	3.05	224.3	251.6	31.6	65.0	103.0	35	12.8	8.06
		GKS134K	13500	3957	1337	10.1	2.96	228.0	253.6	33.6	65.0	103.0	35	12.8	8.06
		GKS141K	14100	4132	1396	10.1	2.96	228.0	245.6	33.6	75.0	109.0	45	12.8	9.70
		GKS151K	15100	4426	1510	10.0	2.93	254.6	289.2	37.2	65.0	108.0	33	12.8	9.70
	GJ	GJS151K	15400	4513	1495	10.3	3.02	254.6	289.2	37.2	65.0	108.0	33	12.8	9.70
		GJS176K	18200	5334	1733	10.5	3.08	254.6	226.0	37.2	75.0	109.0	33	12.8	9.70
		GJS208K	20800	6096	2019	10.3	3.02	264.6	266.0	37.2	75.0	113.0	33	12.8	9.70
	GP	GPS270K	27500	8060	2619	10.5	3.08	295.0	345.3	53.3	75.0	123.4	33	16.0	9.70
		GPS280K	28500	8353	2714	10.5	3.08	295.0	345.0	53.3	75.0	123.4	33	16.0	9.70
		GPS290K	29500	8646	2810	10.5	3.08	320.0	406.4	78.4	90.0	132.5	33	16.0	9.70
		GPS330K	33500	9818	3190	10.5	3.08	364.2	369.2	73.9	41.0	116.4	33	16.0	9.70
1PH, 260V	GK	GKS080Q	8050	2359	782	10.3	3.02	224.0	265.9	43.6	50.8	93.0	35	9.7	8.06
		GKS086Q	8800	2579	846	10.4	3.05	224.3	251.6	31.6	65.0	103.0	35	12.8	8.06
		GKS094Q	9400	2755	913	10.3	3.02	224.3	251.6	31.6	65.0	103.0	35	12.8	8.06
		GKS102Q	10100	2960	981	10.3	3.02	219.3	253.6	33.6	65.0	103.0	35	12.8	8.06
		GKS113Q	11250	3297	1103	10.2	2.99	224.3	251.6	31.6	65.0	103.0	35	12.8	8.06
		GKS120Q	12100	3546	1175	10.3	3.02	224.3	251.6	31.6	65.0	103.0	35	12.8	8.06
		GKS134Q	13500	3957	1311	10.3	3.02	228.0	253.6	33.6	65.0	103.0	35	12.8	8.06
		GKS141Q	14200	4162	1406	10.1	2.96	228.0	262.6	33.6	75.0	109.0	35	12.8	8.06
	GKS151Q	15400	4513	1495	10.3	3.02	232.3	262.6	33.6	75.0	109.0	42	12.8	9.70	
	GJ	GJS151Q	15400	4513	1495	10.3	3.02	254.6	289.2	37.2	65.0	108.0	33	12.8	9.70
1PH, 115V	GK	GKS080C	8050	2359	797	10.1	2.96	224.0	265.9	43.6	50.8	93.0	35	9.7	8.06
		GKS086C	8700	2550	845	10.3	3.02	224.3	251.6	31.6	65.0	103.0	35	12.8	8.06
		GKS094C	9400	2755	931	10.1	2.96	224.3	251.6	31.6	65.0	103.0	35	12.8	8.06
		GKS102C	10100	2960	1000	10.1	2.96	219.3	253.6	33.6	65.0	103.0	35	12.8	8.06
		GKS113C	11200	3283	1098	10.2	2.99	224.3	251.6	31.6	65.0	103.0	35	12.8	8.06
		GKS120C	12100	3546	1198	10.1	2.96	224.3	251.6	31.6	65.0	103.0	35	12.8	8.06
		GKS134C	13300	3898	1317	10.1	2.96	228.0	253.6	33.6	65.0	103.0	35	12.8	8.06
		GKS141C	14100	4132	1396	10.1	2.96	228.0	262.6	33.6	75.0	109.0	35	12.8	8.06
		GKS151C	15400	4513	1525	10.1	2.96	232.3	262.6	33.6	75.0	109.0	42	12.8	9.70



Rotary [R410A 60Hz] for North America

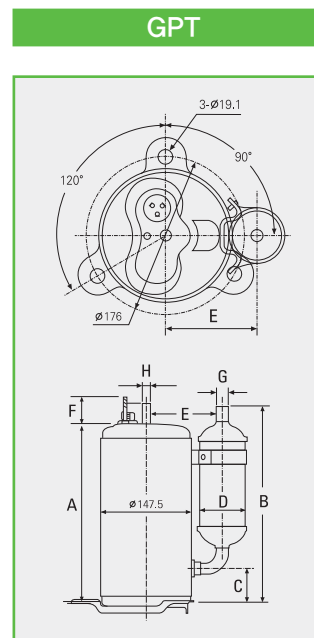
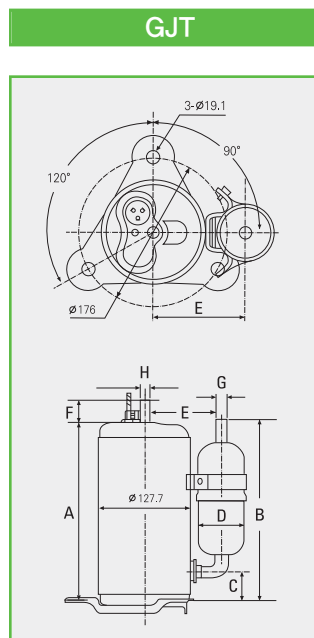
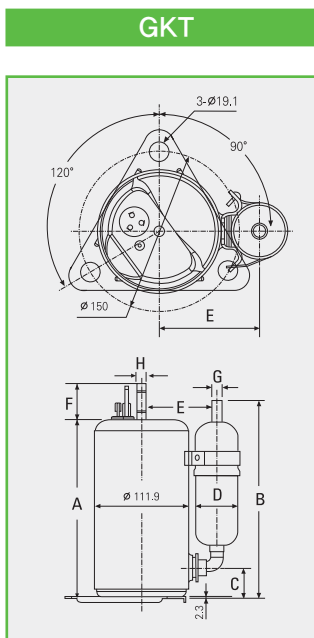
Standard EER

Power Source	Series	Model	Cooling Capacity		Motor Input (Watts)	EER (Btu/W.hr)	COP (W/W)	Dimensions							
			(Btu/hr)	(Watts)				A	B	C	D	E	F	G	H
1PH, 208-230V	GA	GA066K	6400	1876	665	9.6	2.82	224.0	265.9	43.6	50.8	93	35	9.7	8.06
		GA080K	7900	2315	814	9.7	2.84	224.0	265.9	43.6	50.8	93	35	9.7	8.06
	GK	GK080K	8050	2359	805	10.0	2.93	219.3	253.6	33.6	65.0	103	35	12.8	8.06
		GK094K	9400	2755	949	9.9	2.90	229.3	259.6	43.6	65.0	101	35	12.8	8.06
		GK102K	10150	2975	1015	9.8	2.93	219.3	253.6	33.6	65.0	103	35	12.8	8.06
		GK113K	11100	3253	1120	9.9	2.90	229.3	259.6	43.6	65.0	101	35	12.8	8.06
		GK120K	12100	3546	1222	9.9	2.90	237.3	259.6	43.6	65.0	101	35	12.8	8.06
		GK134K	13250	3884	1338	9.9	2.90	227.3	262.6	33.6	75.0	109	35	12.8	8.06
		GK141K	14200	4162	1434	9.9	2.90	237.3	259.6	43.6	75.0	101	35	12.8	8.06
	GJ	GK151K	15400	4513	1556	9.9	2.90	232.3	262.6	33.6	75.0	109	42	12.8	9.70
		GJ151K	15400	4514	1556	9.9	2.90	275.6	277.9	61.9	75.0	103	33	12.8	9.70
		GJ176K	18200	5334	1820	10.0	2.93	259.6	258.2	42.2	75.0	103	33	12.8	9.70
		GJ208K	21700	6360	2170	10.0	2.93	259.6	257.9	41.9	75.0	103	33	12.8	9.70
		GJ230K	24000	7034	2400	10.0	2.93	282.3	237.9	57.9	75.0	103	33	12.8	9.70
GA		GA052C	5150	1509	535	9.6	2.82	220.0	260.0	43.6	50.8	93	35	9.7	8.06
		GA056C	5500	1612	573	9.6	2.81	224.0	265.9	43.6	50.8	93	35	9.7	8.06
		GA060C	5850	1715	622	9.4	2.76	224.0	265.9	43.6	50.8	93	35	9.7	8.06
	GA066C	6500	1905	677	9.6	2.81	226.7	285.9	45.9	50.8	89	35	9.7	8.06	
	GA070C	7000	2052	722	9.7	2.84	266.7	207.0	45.9	41.3	84	35	9.7	8.06	
	GA072C	7100	2081	725	9.8	2.87	226.7	246.0	36.0	50.8	89	35	9.7	8.06	
	GA088C	8550	2506	855	10.0	2.93	219.3	253.6	33.6	50.8	93	45	12.8	8.06	
GK	GK086C	8600	2521	886	9.7	2.84	227.3	253.6	33.6	65.0	103	35	12.8	8.06	
	GK113C	11150	3268	1126	9.9	2.90	227.3	283.6	33.6	75.0	109	35	12.8	8.06	
	GK134C	13700	4015	1384	9.9	2.90	227.3	233.6	33.6	50.8	93	30	9.7	8.06	
	GK141C	14200	4162	1449	9.8	2.87	232.3	253.6	33.6	50.8	93	45	12.8	8.06	



Twin Cylinder

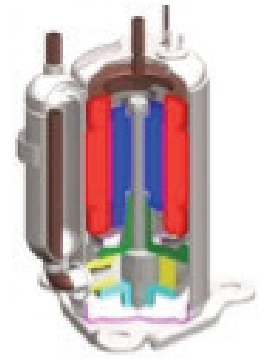
Power Source	Series	Model	Cooling Capacity		Motor Input (Watts)	EER (Btu/W.hr)	COP (W/W)	Dimensions							
			(Btu/hr)	(Watts)				A	B	C	D	E	F	G	H
1PH, 115V	GKT	GKT086C	8600	2520	869	9.9	2.90	224.3	251.6	31.6	65.0	103.0	35	12.8	8.06
		GKT094C	9400	2755	940	10.0	2.93	224.3	251.6	31.6	65.0	103.0	35	12.8	8.06
		GKT113C	11150	3268	1126	9.9	2.90	224.3	251.6	31.6	65.0	103.0	35	12.8	8.06
		GKT120C	12000	3517	1237	9.7	2.84	224.3	251.6	31.6	65.0	103.0	35	12.8	8.06
		GKT134C	13400	3927	1381	9.7	2.84	228.0	253.6	33.6	65.0	103.0	35	12.8	8.06
		GKT141C	14100	4132	1454	9.7	2.84	228.0	245.6	33.6	75.0	109.0	45	12.8	9.70
1PH, 208-230V	GKT	GKT080K	8050	2359	805	10.0	2.93	224.0	265.9	43.6	50.8	93.0	35	9.7	8.06
		GKT086K	8600	2520	869	9.9	2.90	224.3	251.6	31.6	65.0	103.0	35	12.8	8.06
		GKT094K	9400	2755	949	9.9	2.90	224.3	251.6	31.6	65.0	103.0	35	12.8	8.06
		GKT102K	10100	2960	1010	10.0	2.93	219.3	253.6	33.6	65.0	103.0	35	12.8	8.06
		GKT113K	11100	3253	1120	9.9	2.90	224.3	251.6	31.6	65.0	103.0	35	12.8	8.06
		GKT120K	12100	3546	1222	9.9	2.90	224.3	251.6	31.6	65.0	103.0	35	12.8	8.06
		GKT134K	13500	3956	1364	9.9	2.90	228.0	253.6	33.6	65.0	103.0	35	12.8	8.06
		GKT141K	14200	4162	1434	9.9	2.90	228.0	245.6	33.6	75.0	109.0	45	12.8	9.70
	GJT	GKT151K	15400	4513	1556	9.9	2.90	254.6	289.2	37.2	65.0	108.0	33	12.8	9.70
		GJT176K	18200	5334	1820	10.0	2.93	254.6	226.0	37.2	75.0	109.0	33	12.8	9.70
		GJT196K	19800	5802	2020	9.8	2.87	264.6	266.0	37.2	75.0	113.0	33	12.8	9.70
		GJT208K	21450	6286	2145	10.0	2.93	274.6	306.0	37.2	75.0	117.0	33	12.8	9.70
		GJT230K	24600	7210	2460	10.0	2.93	284.6	346.0	37.2	75.0	121.0	33	12.8	9.70
	GPT	GPT270K	27500	8059	2750	10.0	2.93	295.0	345.3	53.3	75.0	123.4	33	16.0	9.70
		GPT280K	28500	8353	2850	10.0	2.93	295.0	345.0	53.3	75.0	123.4	33	16.0	9.70
		GPT290K	29500	8646	2950	10.0	2.93	320.0	406.4	78.4	90.0	132.5	33	16.0	9.70
		GPT330K	33500	9818	3350	10.0	2.93	364.2	369.2	73.9	41.0	116.4	33	16.0	9.70



Rotary [R410A 50Hz] for Europe

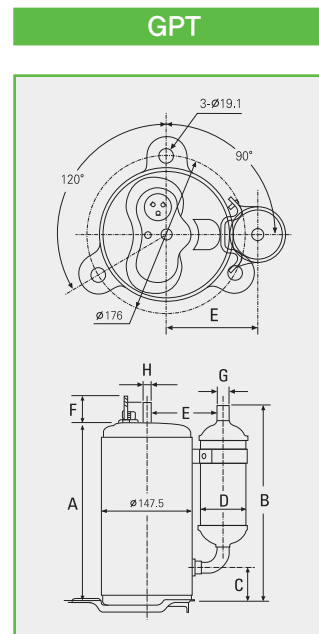
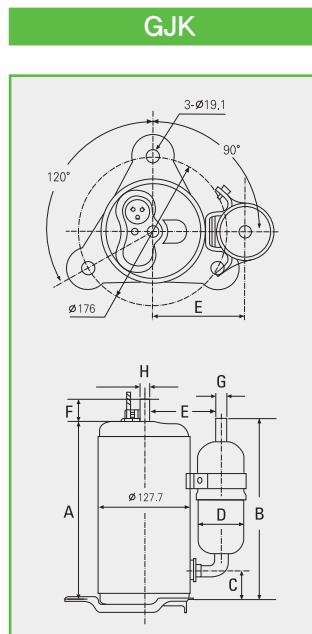
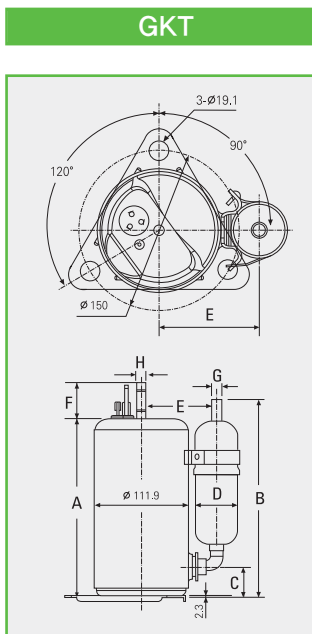
■ Features

- R410A Full Capacity Coverage : 5KBtu~25KBtu
- Various Efficiency Models : Standard and Super EER
- Single and Twin Cylinder available



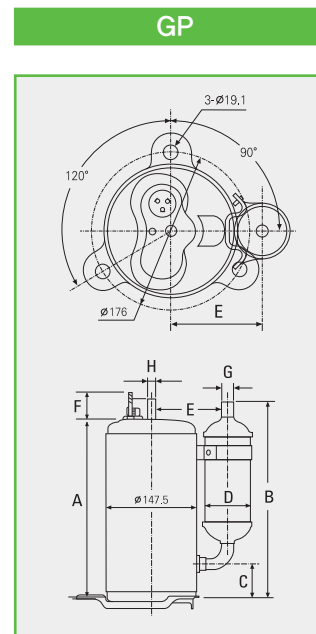
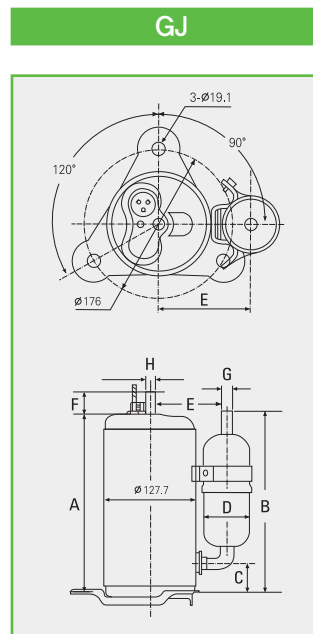
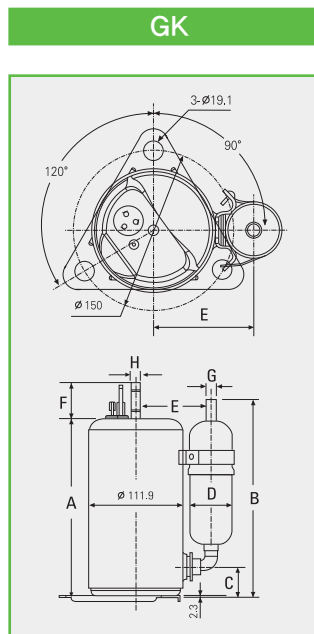
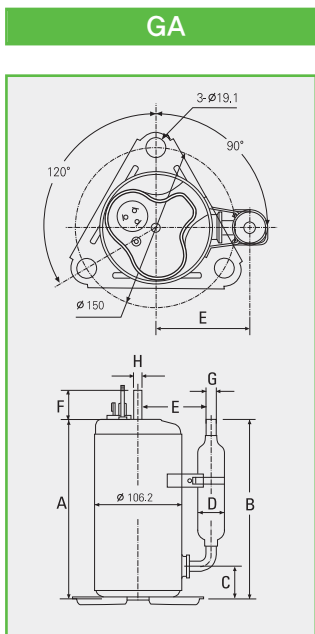
Super EER

Power Source	Series	Model	Cooling Capacity				Motor Input		EER		COP		Dimensions							
			(Btu/hr)		(Watts)		(Watts)		(Btu/W.hr)		(W/W)		A	B	C	D	E	F	G	H
1PH, 220-240V	GK	GKS080P	6550	6600	1920	1934	636	647	10.3	10.2	3.02	2.99	224.0	265.9	43.6	50.8	93.0	35	9.7	8.06
		GKS086P	6900	7000	2022	2052	670	686	10.3	10.2	3.02	2.99	224.3	251.6	31.6	65.0	103.0	35	12.8	8.06
		GKS094P	7700	7750	2257	2271	748	760	10.3	10.2	3.02	2.99	224.3	251.6	31.6	65.0	103.0	35	12.8	8.06
		GKS102P	8250	8350	2418	2447	801	819	10.3	10.2	3.02	2.99	219.3	253.6	33.6	65.0	103.0	35	12.8	8.06
		GKS113P	9000	9100	2638	2667	874	892	10.3	10.2	3.02	2.99	224.3	251.6	31.6	65.0	103.0	35	12.8	8.06
		GKS120P	9700	9800	2843	2872	933	951	10.4	10.3	3.05	3.02	224.3	251.6	31.6	65.0	103.0	35	12.8	8.06
		GKS134P	10750	10850	3151	3180	1034	1053	10.4	10.3	3.05	3.02	228.0	253.6	33.6	65.0	103.0	35	12.8	8.06
		GKS141P	11450	11600	3356	3400	1101	1126	10.4	10.3	3.05	3.02	228.0	262.6	33.6	75.0	109.0	35	12.8	8.06
	GKS151P	12200	12400	3576	3634	1184	1216	10.3	10.2	3.02	2.99	228.0	262.6	33.6	75.0	109.0	35	12.8	8.10	
	GJ	GJS160P	13150	13300	3854	3898	1264	1291	10.4	10.3	3.05	3.02	254.6	257.2	37.2	65.0	109.0	33	12.8	9.70
		GJS176P	14400	14500	4220	4250	1385	1408	10.4	10.3	3.05	3.02	254.6	320.2	37.2	75.0	113.0	33	12.8	9.70
		GJS189P	15500	15700	4543	4601	1490	1524	10.4	10.3	3.05	3.02	259.6	271.2	42.2	75.0	113.0	33	12.8	9.70
		GJS208P	17500	17700	5129	5188	1683	1718	10.4	10.3	3.05	3.02	282.3	340.9	57.9	75.0	113.0	33	12.8	9.70
		GJS222P	18500	18700	5422	5481	1779	1816	10.4	10.3	3.05	3.02	264.2	320.0	37.2	75.0	113.0	33	12.8	9.70
		GJS230P	19100	19300	5598	5657	1819	1856	10.5	10.4	3.08	3.05	266.3	229.0	41.9	75.0	113.0	33	12.8	9.70
	GP	GPS270P	23100	23400	6770	6858	2200	2250	10.5	10.4	3.08	3.05	295.0	345.3	53.3	75.0	123.4	33	16.0	9.70
		GPS280P	23700	23900	6946	7005	2257	2298	10.5	10.4	3.08	3.05	295.0	345.3	53.3	75.0	123.4	33	16.0	9.70
		GPS290P	24700	24900	7239	7298	2352	2394	10.5	10.4	3.08	3.05	295.0	328.0	53.3	90.0	132.5	33	16.0	9.70



Standard EER

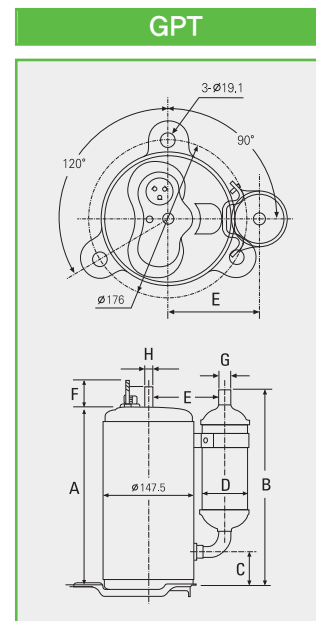
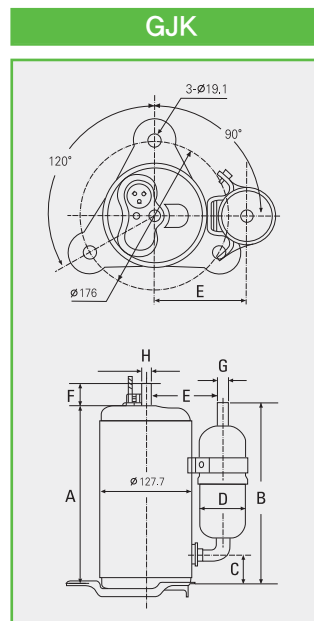
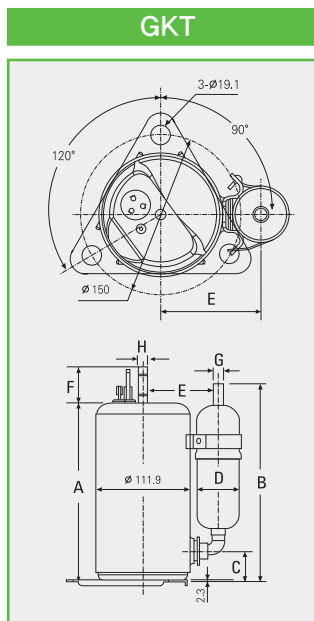
Power Source	Series	Model	Cooling Capacity				Motor Input		EER		COP		Dimensions							
			(Btu/hr)		(Watts)		(Watts)		(Btu/W.hr)		(W/W)		A	B	C	D	E	F	G	H
1PH, 220-240V	GA	GA066P	5270	5330	1544	1562	555	570	9.5	9.4	2.78	2.74	225.1	273.9	38.9	50.8	89.0	35	9.7	8.06
		GA086P	6900	6950	2022	2037	734	781	9.4	8.9	2.75	2.61	232.2	280.9	45.9	50.8	89.0	35	9.7	8.06
	GK	GK080P	6550	6600	1919	1934	682	702	9.6	9.4	2.81	2.76	229.3	243.6	43.6	50.8	93.0	45	9.7	8.06
		GK086P	6900	7000	2022	2051	726	736	9.5	9.5	2.79	2.79	230.0	243.6	43.6	50.8	93.0	45	9.7	8.06
		GK094P	7700	7750	2256	2271	794	824	9.7	9.4	2.84	2.76	229.3	243.6	43.6	50.8	93.0	35	9.7	8.06
		GK102P	8250	8350	2418	2447	841	870	9.8	9.6	2.87	2.81	227.3	262.6	33.6	75.0	109.0	45	12.8	8.06
		GK113P	9000	9100	2637	2667	914	938	9.8	9.7	2.89	2.84	219.3	235.6	33.6	65.0	103.0	45	9.7	8.06
		GK120P	9700	9800	2842	2872	1010	1043	9.6	9.4	2.81	2.75	227.3	253.6	33.6	50.8	93.0	45	9.7	8.06
		GK134P	10750	10850	3150	3179	1132	1154	9.5	9.4	2.78	2.76	227.3	262.6	33.6	75.0	109.0	45	12.8	8.06
		GK141P	11450	11600	3355	3399	1180	1221	9.7	9.5	2.84	2.78	227.3	253.6	33.6	65.0	103.0	45	12.8	8.06
		GK151P	12200	12400	3575	3634	1245	1292	9.8	9.6	2.87	2.81	232.3	285.6	33.6	65.0	103.0	45	9.7	8.06
	GJ	GJ151P	12500	12650	3663	3707	1269	1304	9.9	9.7	2.89	2.84	252.0	229.0	37.2	75.0	113.0	33	12.8	9.70
		GJ160P	13150	13300	3853	3897	1328	1371	9.9	9.7	2.90	2.84	254.6	257.2	37.2	65.0	109.0	33	12.8	9.70
		GJ176P	14400	14500	4220	4249	1485	1526	9.7	9.5	2.84	2.78	254.6	320.2	37.2	75.0	113.0	33	12.8	9.70
		GJ189P	15500	15700	4542	4601	1581	1635	9.8	9.6	2.87	2.81	259.6	271.2	42.2	75.0	113.0	33	12.8	9.70
		GJ208P	17500	17700	5128	5187	1750	1823	10.0	9.7	2.93	2.85	282.3	340.9	57.9	75.0	113.0	33	12.8	9.70
		GJ222P	18500	18700	5421	5480	1867	1928	9.9	9.7	2.90	2.84	266.3	324.9	41.9	75.0	114.0	33	12.8	9.70
		GJ230P	19100	19300	5597	5656	1949	2010	9.8	9.6	2.87	2.81	261.3	320.2	37.2	75.0	114.0	33	12.8	9.70
	GP	GP270P	23100	23400	6769	6857	2347	2392	9.9	9.7	2.88	2.87	295.0	345.3	53.3	75.0	123.4	33	16.0	9.70
		GP280P	23700	23900	6945	7004	2370	2439	10.0	9.8	2.93	2.87	295.0	345.0	53.3	75.0	123.4	33	16.0	9.70
GP290P		24700	24900	7238	7297	2470	2541	10.0	9.8	2.93	2.87	320.0	406.4	78.4	90.0	132.5	33	16.0	9.70	



Rotary [R410A 50Hz] for Europe

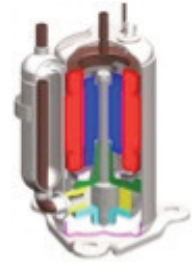
Twin Cylinder

Power Source	Series	Model	Cooling Capacity				Motor Input		EER		COP		Dimensions							
			(Btu/hr)	(Watts)	(Btu/hr)	(Watts)	(Watts)	(Watts)	(Btu/W.hr)	(Btu/W.hr)	(W/W)	(W/W)	A	B	C	D	E	F	G	H
1PH, 220-240V	GKT	GKT094P	7700	7750	2256	2271	794	824	9.7	9.4	3.41	9.41	224.3	251.6	31.6	65	103.0	35	12.8	8.06
		GKT102P	8250	8350	2418	2447	841	870	9.8	9.6	3.41	9.60	219.3	253.6	33.6	65	103.0	35	12.8	8.06
		GKT113P	9000	9100	2637	2667	914	938	9.8	9.7	3.41	9.70	224.3	251.6	31.6	65	103.0	35	12.8	8.06
		GKT120P	9700	9800	2842	2872	1000	1032	9.7	9.5	3.41	9.50	224.3	251.6	31.6	65	103.0	35	12.8	8.06
		GKT134P	10750	10850	3150	3178	1131	1154	9.5	9.4	3.41	9.40	228.0	253.6	33.6	65	103.0	35	12.8	8.06
		GKT141P	11450	11600	3355	3399	1180	1221	9.7	9.5	3.41	9.50	228.0	262.6	33.6	75	109.0	35	12.8	8.06
	GJT	GJT208P	17300	17500	5070	5128	1784	1842	9.7	9.5	2.84	2.78	282.0	340.9	57.9	75	113.0	33	12.8	9.70
		GJT230P	19100	19300	5597	5656	1969	2032	9.7	9.5	2.84	2.78	264.0	320.0	37.2	75	113.0	33	12.8	9.70
		GJT250P	20700	21000	6066	6154	2134	2211	9.7	9.5	2.84	2.78	266.0	229.0	41.9	75	113.0	33	12.8	9.70
	GPT	GPT270P	23000	23200	6740	6800	2300	2367	10.0	9.8	2.93	2.87	295.0	345.3	53.3	75	123.4	33	16.0	9.70
		GPT280P	23700	23900	6945	7005	2370	2439	10.0	9.8	2.93	2.87	295.0	345.3	53.3	75	123.4	33	16.0	9.70
		GPT290P	24700	24900	7238	7298	2470	2541	10.0	9.8	2.93	2.87	295.0	328.0	53.3	90	132.5	33	16.0	9.70
		GPT330P	28000	28200	8205	8265	2800	2878	10.0	9.8	2.93	2.87	355.0	416.6	106.6	90	132.0	42	16.0	9.70
		GPT407P	35000	35200	10256	10317	3535	3629	9.9	9.7	2.90	2.84	355.0	340.5	73.9	90	132.0	33	16.0	9.70
	3PH, 380-420V	GPT	GPT330Y	27200	27600	7971	8089	2776	2845	9.8	9.7	2.87	2.84	364.0	369.2	73.9	41	116.4	33	16.0



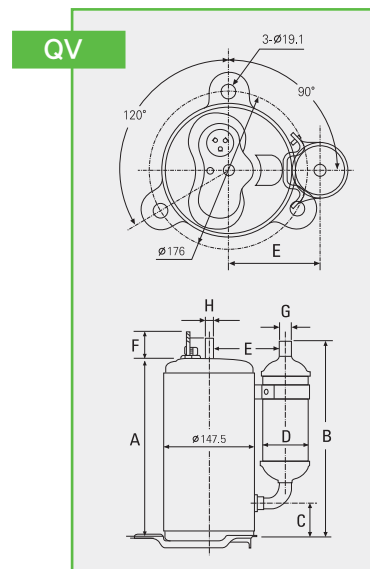
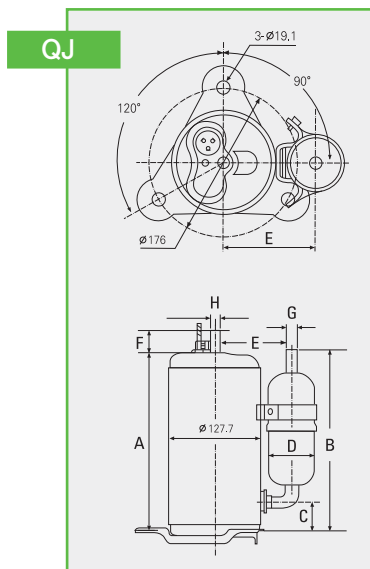
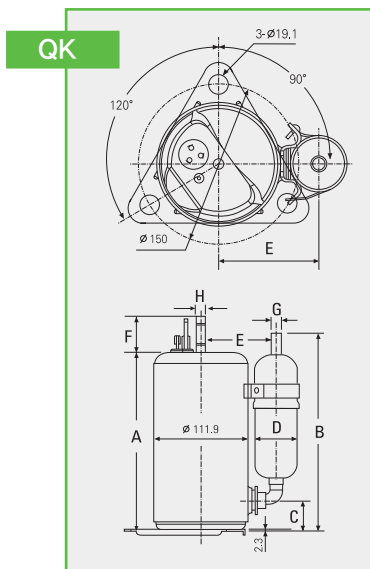
■ Features

- Various Efficiency : Standard and Super EER
- Market Oriented compressor : QV series for low voltage market (India, China)
- World Smallest compressor for Dehumidifier : QS series



Super EER

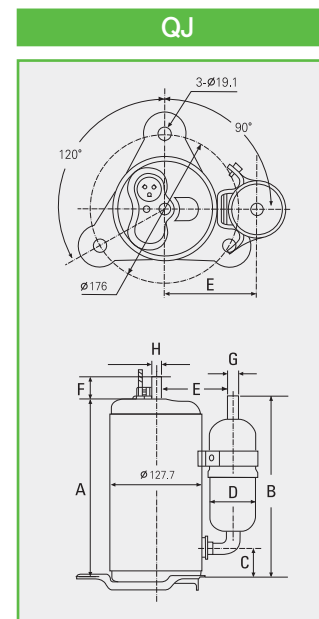
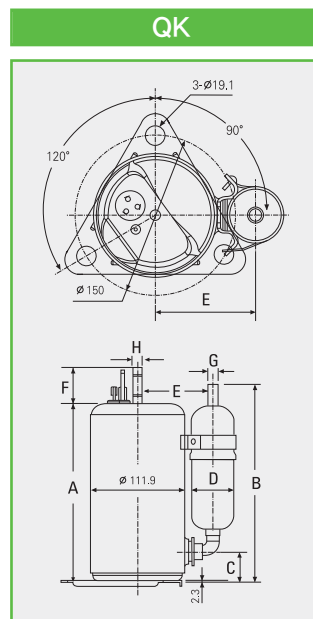
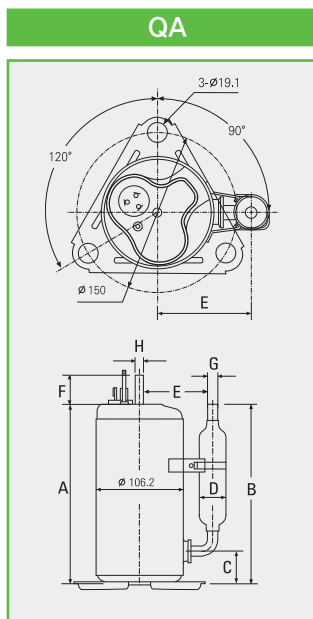
Power Source	Series	Model	Cooling Capacity				Motor Input		EER		COP		Dimensions							
			(Btu/hr)		(Watts)		(Watts)		(Btu/W.hr)		(W/W)		A	B	C	D	E	F	G	H
1PH, 220-240V	QK	QKS114P	6480	6540	1899	1917	573	589	11.3	11.1	3.31	3.25	240.0	246.0	45.9	50.8	93.0	45.0	9.7	8.06
		QKS125P	7100	7150	2081	2096	628	644	11.3	11.1	3.31	3.25	219.3	253.6	33.6	50.8	93.0	45.0	12.8	8.06
		QKS134P	7550	7650	2213	2242	662	683	11.4	11.2	3.34	3.28	229.3	264.0	43.6	50.8	93.0	45.0	12.8	8.06
		QKS141P	8050	8150	2359	2389	706	728	11.4	11.2	3.34	3.28	227.3	253.6	33.6	65.0	103.0	45.0	9.7	8.06
		QKS145P	8250	8300	2418	2433	724	741	11.4	11.2	3.34	3.28	219.3	253.6	33.6	50.8	93.0	45.0	12.8	8.06
		QKS156P	8850	8950	2594	2623	770	792	11.5	11.3	3.37	3.31	238.2	244.5	44.5	50.8	93.0	45.0	9.7	8.06
		QKS164P	9300	9400	2726	2755	809	832	11.5	11.3	3.37	3.31	227.3	233.6	33.6	50.8	93.0	45.0	9.7	8.06
		QKS173P	10000	11000	2931	3224	885	991	11.3	11.1	3.31	3.25	256.0	280.0	43.6	75.0	103.0	45.0	12.8	8.06
	QJ	QJS208P	11800	12000	3458	3517	1044	1081	11.3	11.1	3.31	3.25	254.8	257.4	37.4	65.0	109.0	33.0	12.8	9.70
		QJS222P	12750	12850	3737	3766	1159	1190	11.0	10.8	3.22	3.17	264.6	266.2	37.2	75.0	113.0	33.0	12.8	9.70
QJS236P		13600	13700	3986	4015	1183	1212	11.5	11.3	3.37	3.31	255.8	283.1	43.1	65.0	109.0	33.0	12.8	9.70	
1PH, 200-220V	QK	QKS125J	7100		2081		628		11.3		3.31		219.3	253.6	33.6	50.8	93.0	45.0	12.8	8.06
		QKS134J	7800		2286		684		11.4		3.34		229.3	264	43.6	50.8	93.0	45.0	12.8	8.06
		QKS145J	8400		2462		737		11.4		3.34		227.3	253.6	33.6	65.0	103.0	45.0	9.7	8.06
		QKS156J	9000		2638		783		11.5		3.37		219.3	253.6	33.6	50.8	93.0	45.0	12.8	8.06
		QKS164J	9550		2799		830		11.5		3.37		238.2	244.5	44.5	50.8	93.0	45.0	9.7	8.06
		QKS175J	10000		2931		885		11.3		3.31		227.3	233.6	33.6	50.8	93.0	45.0	9.7	8.06
	QJ	QJS208J	11950		3502		1048		11.4		3.34		254.8	257.4	37.4	65.0	109.0	33.0	12.8	9.70
		QJS222J	12700		3722		1104		11.5		3.37		264.6	266.2	37.2	75.0	113.0	33.0	12.8	9.70
		QJS236J	13550		3971		1189		11.4		3.34		255.8	283.1	43.1	65.0	109.0	33.0	12.8	9.70
		1PH, 220V	QK	QKS145H	8400		2462		737		11.4		3.34		238.7	295.0	43.6	75.0	114.0	35.0
QKS156H	9000				2638		783		11.5		3.37		238.0	295.0	44.5	75.0	114.0	35.0	12.8	8.06
QKS164H	9550				2799		830		11.5		3.37		227.3	253.6	33.6	50.8	93.0	45.0	9.7	8.06
QKS175H	10000				2931		885		11.3		3.31		227.3	233.6	33.6	50.8	93.0	45.0	9.7	8.06
QJ	QJS208H		12000		3517		1062		11.3		3.31		254.8	257.4	37.4	65.0	109.0	33.0	12.8	9.70
	QJS222H		12950		3795		1126		11.5		3.37		264.6	266.2	37.2	75.0	113.0	33.0	12.8	9.70
	QJS236H		13818		4050		1212		11.4		3.34		255.8	283.1	43.1	65.0	109.0	33.0	12.8	9.70
QV	QV286HB		17200		5041		1495		11.5		3.37		283.3	297.3	38.3	75.0	113.0	33.0	12.8	9.70
	QV295HB		17590		5155		1530		11.5		3.37		284.0	312	53.3	75.0	123.4	33.0	12.8	9.70
	QV306HB		18400		5407		1605		11.5		3.37		330.8	339.3	47.4	75.0	120.0	33.0	16.0	9.70
	QV325HB	19585		5740		1703		11.5		3.37		284.0	312	53.3	75.0	123.4	33.0	12.8	9.70	
	QV336HB	20420		5985		1775		11.5		3.37		295.0	345	53.3	75.0	123.4	33.0	12.8	9.70	



Rotary [R22 50Hz] for Asia / Latin America

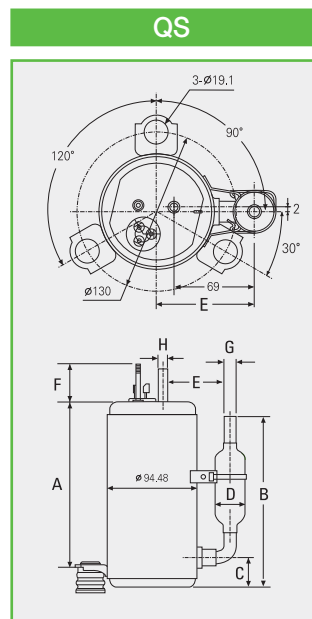
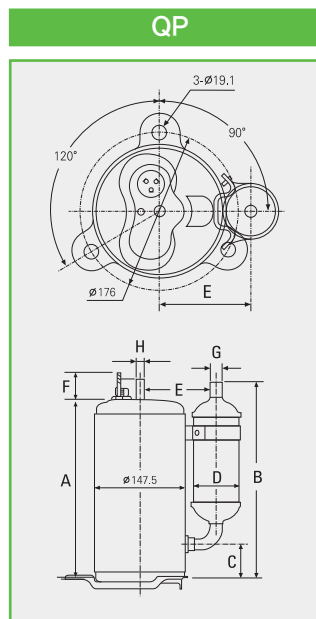
Standard EER

Power Source	Series	Model	Cooling Capacity				Motor Input		EER		COP		Dimensions							
			(Btu/hr)		(Watts)		(Watts)		(Btu/W.hr)		(W/W)		A	B	C	D	E	F	G	H
1PH, 220-240V	QA	QA075P	4110	4150	1204	1216	410	430	10.0	9.7	2.94	2.83	223.9	265.9	45.9	50.8	86.4	35	9.7	8.06
		QA096P	5470	5530	1603	1620	512	537	10.7	10.3	3.14	3.02	230.0	246.8	46.8	50.8	86.2	35	9.7	6.53
		QA114P	6468	6540	1895	1916	625	654	10.3	10.0	3.02	2.93	230.0	245.9	45.9	50.8	89.0	35	9.7	8.06
		QA125P	7100	7150	2081	2094	670	694	10.6	10.3	3.11	3.02	226.7	246.0	36.0	50.8	89.0	35	9.7	8.06
	QK	QK114P	6480	6540	1900	1917	611	629	10.6	10.4	3.11	3.05	224.3	238.6	38.6	50.8	93.0	45	9.7	8.06
		QK125P	7100	7150	2081	2095	670	687	10.6	10.4	3.11	3.07	229.3	243.6	43.6	50.8	93.0	45	9.7	8.06
		QK134P	7550	7650	2213	2242	719	742	10.5	10.3	3.08	3.02	229.3	243.6	43.6	50.8	93.0	45	9.7	8.06
		QK141P	8050	8150	2359	2388	770	795	10.5	10.3	3.08	3.02	240.0	246.0	45.9	50.8	93.0	45	9.7	8.06
		QK145P	8250	8300	2418	2432	778	798	10.6	10.4	3.10	3.05	219.3	253.6	33.6	50.8	93.0	45	12.8	8.06
		QK156P	8850	8950	2594	2623	835	860	10.6	10.4	3.10	3.05	229.3	264.0	43.6	50.8	93.0	45	12.8	8.06
		QK164P	9300	9400	2825	2755	877	895	10.6	10.5	3.11	3.08	227.3	253.6	33.6	65.0	103.0	45	9.7	8.06
		QK173P	9800	9900	2872	2901	933	952	10.5	10.4	3.08	3.05	246.0	267.0	47.0	50.8	93.0	35	12.8	8.06
		QK175P	9700	9800	2843	2872	950	970	10.2	10.1	2.99	2.96	240.0	290.9	45.9	50.8	93.0	45	9.7	8.06
		QK185P	10500	10650	3077	3121	1000	1029	10.5	10.3	3.08	3.03	230.0	262.6	33.6	75.0	109.0	45	12.8	6.53
		QK191P	11150	11250	3267	3297	1062	1082	10.5	10.4	3.08	3.05	232.3	220.0	43.6	65.0	103.0	45	12.8	6.53
		QK196P	11000	11050	3224	3238	1067	1093	10.3	10.1	3.02	2.96	240.0	266.0	45.9	65.0	103.0	45	12.8	8.06
		QK208P	11800	12000	3458	3516	1103	1143	10.7	10.5	3.14	3.08	240.3	253.6	33.6	50.8	94.5	45	12.8	8.06
		QK222P	12800	12900	3751	3780	1219	1265	10.5	10.2	3.08	2.99	241.6	289.8	37.8	65.0	103.0	45	12.8	8.06
	QK230P	13200	13400	3869	3927	1245	1288	10.6	10.4	3.10	3.04	236.9	220.0	45.9	75.0	109.0	33	12.8	9.70	
	QK236P	13300	13400	3897	3927	1267	1314	10.5	10.2	3.08	2.99	232.3	220.0	43.6	65.0	103.0	33	12.8	9.70	
	QJ	QJ208P	11800	12000	3458	3516	1093	1121	10.8	10.7	3.16	3.14	238.6	266.2	37.2	75.0	113.0	33	12.8	9.70
		QJ222P	12900	130000	3780	3808	1183	1203	10.9	10.8	3.20	3.16	244.6	315.2	42.2	57.2	101.9	33	12.8	9.70
		QJ236P	13600	13700	3985	4013	1308	1356	10.4	10.1	3.05	2.96	255.8	275.0	47.0	75.0	109.0	33	12.8	9.70
		QJ250P	14500	14650	4249	4291	1355	1382	10.7	10.6	3.14	3.10	254.6	220.0	37.2	65.0	109.0	33	12.8	9.70
		QJ264P	15100	15200	4426	4452	1411	1434	10.7	10.6	3.14	3.10	266.3	259.3	43.3	65.0	104.8	33	16.0	9.70
		QJ282P	16600	16700	4864	4894	1523	1561	10.9	10.7	3.19	3.13	266.3	302.5	43.3	75.0	113.0	33	12.8	9.70
		QJ292P	16700	16900	4894	4950	1575	1625	10.6	10.4	3.11	3.05	261.3	267.3	38.3	75.0	113.0	33	12.8	9.70
		QJ306P	18300	18500	5360	5419	1710	1760	10.7	10.5	3.13	3.08	291.5	292.0	58.3	75.0	113.0	33	12.8	9.70
		QJ311P	18650	18800	5463	5507	1743	1880	10.7	10.0	3.13	2.93	291.5	292.0	58.3	75.0	113.0	33	12.8	9.70
		QJ330P	19900	20000	5829	5858	1877	2040	10.6	9.8	3.10	2.87	283.3	297.3	38.3	75.0	113.0	33	12.8	9.70
QP	QP325P	19200	19300	5626	5656	1778	1856	10.8	10.4	3.16	3.05	284.0	312.0	53.3	75.0	123.4	33	12.8	9.70	
	QP348P	20500	20600	6007	6037	1884	1967	10.9	10.5	3.19	3.07	295.0	345.0	53.3	75.0	123.4	33	12.8	9.70	



Standard EER

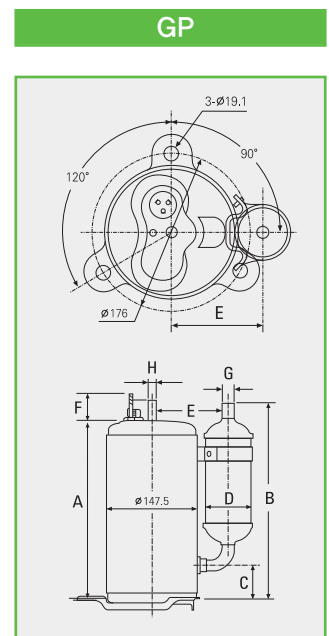
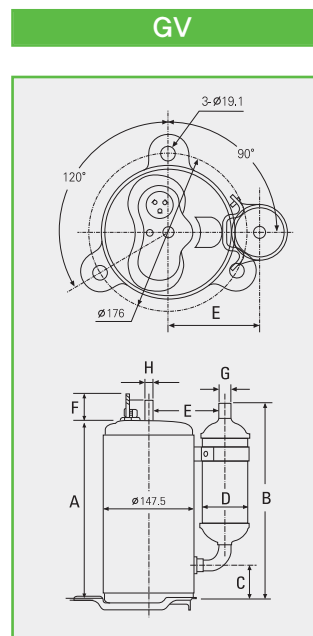
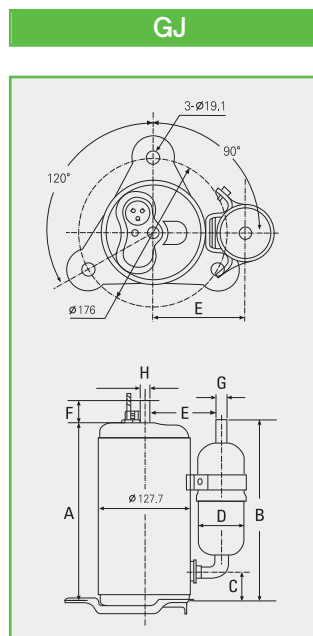
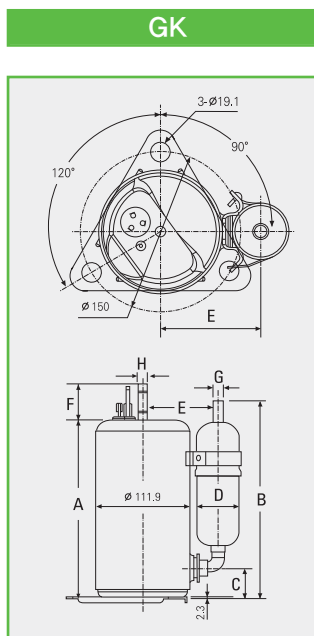
Power Source	Series	Model	Cooling Capacity		Motor Input		EER		COP		Dimensions									
			(Btu/hr)	(Watts)	(Watts)	(Watts)	(Btu/W.hr)	(W/W)	A	B	C	D	E	F	G	H				
1PH, 220-240V	QP	QP376P	22600	22700	6623	6652	2112	2183	10.7	10.4	3.14	3.05	295.0	312.0	53.3	75.0	123.4	33	16.0	9.70
		QP390P	23000	23200	6740	6799	2130	2188	10.8	10.6	3.16	3.11	295.0	325.0	53.3	75.0	123.4	33	16.0	9.70
		QP407P	24050	24300	7048	7121	2227	2314	10.8	10.5	3.16	3.08	295.0	312.3	53.3	75.0	123.4	33	16.0	9.70
		QP425P	25000	25100	7326	7355	2404	2535	10.4	9.9	3.05	2.90	295.0	381.0	53.3	90.0	132.5	33	16.0	9.70
		QP442P	26000	26100	7619	7648	2430	2534	10.7	10.3	3.14	3.02	295.0	345.0	53.3	75.0	123.4	33	16.0	9.70
		QP464P	27600	27700	8088	8117	2654	2885	10.4	9.6	3.05	2.81	295.0	345.0	53.3	75.0	123.4	33	16.0	9.70
1PH, 200-220V	QS	QS064J	4060		1190		441		9.2		2.70		224.0	265.9	43.6	50.8	93.0	35	9.7	8.06
	QA	QA134J	7700		2256		740		10.4		3.05		232.6	266.0	36.0	50.8	87.0	35	9.7	8.06
	QK	QK125J	7000	7100	2052	2082	667	680	10.5	10.6	3.08	3.11	229.3	243.6	43.6	50.8	93.0	45	9.7	8.06
		QK134J	7800		2286		765		10.2		2.99		230.2	264.5	44.5	50.8	93.0	45	12.8	8.06
		QK145J	8400		2462		820		10.25		3.00		230.2	244.5	44.5	50.8	93.0	45	9.7	8.06
		QK156J	9000		2637		900		10.0		2.93		230.0	244.5	35.9	50.8	93.0	45	12.8	8.06
		QK164J	9550		2799		946		10.1		2.96		230.2	244.5	44.5	50.8	93.0	45	9.7	8.06
		QK175J	10000		2930		952		10.5		3.08		229.3	243.6	33.6	65.0	93.0	45	12.8	8.06
		QK185J	10750		3150		1064		10.1		2.96		233.2	261.5	32.3	65.0	105.0	45	16.0	8.06
		QK191J	11100		3253		1099		10.1		2.96		230.2	244.5	44.5	50.8	93.0	45	12.8	8.06
	QK222J	12950		3795		1257		10.3		3.02		244.0	259.5	39.5	65.0	103.0	45	12.8	8.06	
	QJ	QJ164J	9550		2799		946		10.1		2.96		254.6	257.2	37.2	65.0	109.0	33	12.8	9.70
		QJ208J	11950		3502		1149		10.4		3.05		255.8	272.3	37.2	65.0	109.0	45	12.8	8.06
		QJ222J	12700		3722		1176		10.8		3.16		254.6	257.2	37.2	65.0	109.0	33	12.8	9.70
		QJ236J	13550		3971		1316		10.3		3.02		255.8	283.1	43.1	65.0	109.0	33	12.8	9.70
		QJ250J	14500		4249		1436		10.1		2.96		252.0	259.5	39.5	65.0	109.0	33	12.8	9.70
		QJ264J	15300		4484		1485		10.3		3.02		251.3	258.3	38.3	65.0	109.0	33	12.8	9.70
		QJ264J	15300		4484		1515		10.1		2.96		256.0	282.4	53.4	75.0	113.0	33	12.8	9.70
		QJ292J	16800		4923		1555		10.8		3.17		261.3	258.3	38.3	65.0	109.0	33	12.8	9.70
		QJ325J	18800		5509		1773		10.6		3.11		278.3	315.3	43.3	75.0	114.0	33	12.8	9.70
QJ325J		19000		5569		1827		10.4		3.04		291.5	292.0	58.3	75.0	113.0	33	12.8	9.70	
QJ348J	20700		6067		2010		10.3		3.02		291.5	292.0	58.3	75.0	113.0	33	12.8	9.70		
QP	QP325J	19200		5626		1829		10.5		3.08		284.0	312.0	53.3	75.0	123.4	33	12.8	9.70	
	QP376J	22500		6594		2102		10.7		3.14		284.0	345.0	53.3	75.0	123.4	33	16.0	9.70	
	QP407J	24700		7239		2287		10.8		3.17		284.0	341.6	49.6	75.0	123.4	33	16.0	9.70	
	QP442J	26860		7872		2633		10.2		2.99		295.0	345.0	53.3	75.0	123.4	33	16.0	9.70	
	QP425J	25860		7579		2370		10.9		3.19		266.3	259.3	43.3	75.0	104.8	33	16.0	9.70	



Rotary [R22 50Hz] for Asia / Latin America

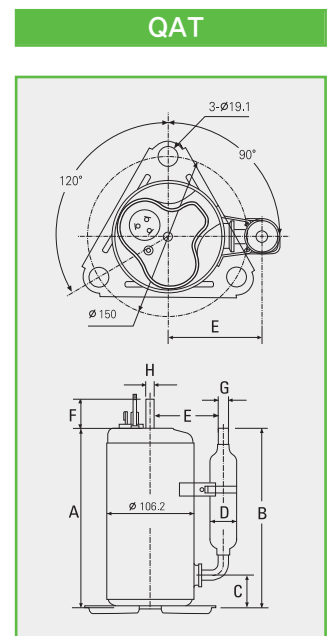
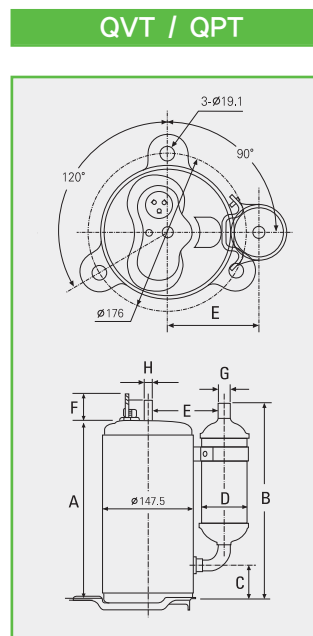
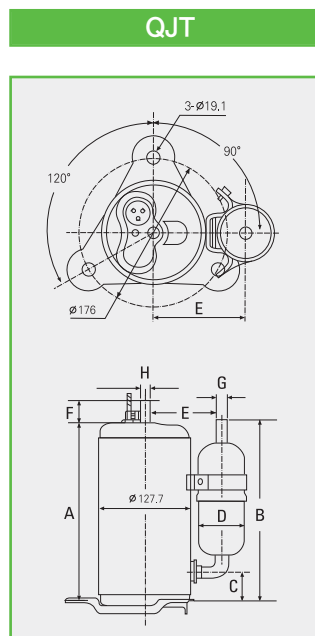
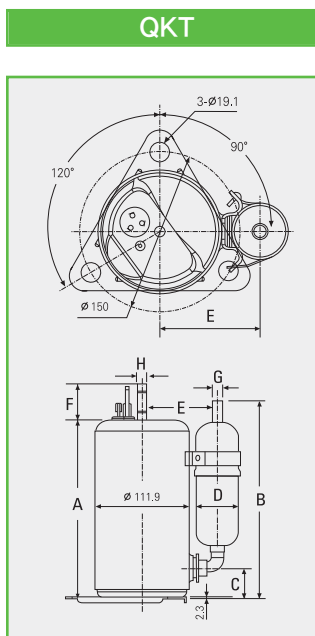
Standard EER

Power Source	Series	Model	Cooling Capacity		Motor Input (Watts)	EER (Btu/W.hr)	COP (W/W)	Dimensions													
			(Btu/hr)	(Watts)				A	B	C	D	E	F	G	H						
1PH, 220V	QK	QK145HA	8400	2462	785	10.7	3.14	227.3	233.6	33.6	50.8	93.0	45	9.7	8.06						
		QK145HC	8400	2462	800	10.5	3.08	219.3	253.6	33.6	50.8	93.0	45	12.8	8.06						
		QK156H	9000	2637	841	10.7	3.14	238.2	244.5	44.5	50.8	93.0	45	9.7	8.06						
		QK164HA	9550	2799	893	10.7	3.14	227.3	233.6	33.6	50.8	93.0	45	9.7	8.06						
		QK164HC	9550	2799	910	10.5	3.08	230.2	244.5	44.5	50.8	93.0	45	9.7	8.06						
		QK175H	10000	2930	952	10.5	3.08	240.3	243.6	43.6	50.8	93.0	45	9.7	8.06						
		QK222H	12950	3795	1210	10.7	3.14	238.7	295	44.5	75.0	114.0	35	12.8	8.06						
		QKS156H	9000	2637	818	11.0	3.22	238.7	295	44.5	75.0	114.0	35	12.8	8.06						
		QKS164H	9600	2813	873	11.0	3.22	227.3	235.6	33.6	50.8	93.0	45	9.7	8.06						
		QKS185H	10800	3165	1000	10.8	3.16	230.0	262.6	33.6	75.0	103.0	45	9.7	8.06						
	QJ	QJ208H	12000	3516	1121	10.7	3.14	254.8	257.4	37.4	65.0	109.0	33	12.8	9.70						
		QJ222H	12950	3795	1210	10.7	3.14	247.3	257.4	37.2	65.0	109.0	33	12.8	9.70						
		QJ236H	13818	4052	1316	10.5	3.08	247.8	257.4	43.1	65.0	109.0	33	12.8	9.70						
		QJ250H	14450	4234	1350	10.7	3.14	281.5	279.5	39.5	65.0	109.0	33	12.8	9.70						
		QJ306H	17373	5091	1670	10.4	3.05	291.5	292	58.3	75.0	113.0	33	12.8	9.70						
		QJ336H	19700	5773	1894	10.4	3.05	291.5	292	58.3	75.0	113.0	33	12.8	9.70						
	QV	QV286HA	17195	5040	1563	11.0	3.22	283.3	297.3	38.3	75.0	113.0	33	12.8	9.70						
		QV295HA	17550	5144	1595	11.0	3.22	284.0	312	53.3	75.0	123.4	33	12.8	9.70						
		QV306HA	18400	5393	1672	11.0	3.22	330.8	339.3	47.4	75.0	120.0	33	16.0	9.70						
		QV325HA	19542	5728	1776	11.0	3.22	284.0	312	53.3	75.0	123.4	33	12.8	9.70						
		QV336HA	20400	5979	1856	11.0	3.22	295.0	345	53.3	75.0	123.4	33	12.8	9.70						
		QV357HA	21460	6290	1951	11.0	3.22	295.0	312	53.3	75.0	123.4	33	16.0	9.70						
		QV362HA	21767	6380	1979	11.0	3.22	295.0	325	53.3	75.0	123.4	33	16.0	9.70						
	3PH, 380-420V	QP	QP325Y	19200	19400	5626	5685	1778	1796	10.8	10.8	3.16	3.17	339.5	312	53.3	75.0	123.4	33	16.0	9.70
			QP425Y	25000	25400	7326	7443	2380	2419	10.5	10.5	3.08	3.08	320.0	345	53.3	75.0	123.4	33	16.0	9.70
			QP425Y	24500	24800	7179	7267	2311	2367	10.6	10.5	3.11	3.08	320.0	345	53.3	75.0	123.4	33	16.0	9.70
			QP442Y	26000	26300	7619	7707	2430	2500	10.7	10.5	3.14	3.08	147.0	328	90.0	381.0	132.5	33	16.0	9.70



Twin EER

Power Source	Series	Model	Cooling Capacity				Motor Input		EER		COP		Dimensions							
			(Btu/hr)		(Watts)		(Watts)		(Btu/W.hr)		(W/W)		A	B	C	D	E	F	G	H
1PH, 220-240V	QKT	QKT134P	7550	7650	2213	2242	719	742	10.5	10.3	3.41	10.31	224.0	200.0	38.6	65.0	103.0	118.3	12.8	8.06
		QKT164P	9300	9400	2725	2755	877	895	10.6	10.5	3.41	10.50	224.0	200.0	38.6	65.0	103.0	118.3	12.8	8.06
		QKT173P	9800	9900	2872	2901	933	952	10.5	10.4	3.41	10.40	232.0	220.0	43.6	65.0	109.0	118.3	12.8	8.06
		QKT191P	11150	11250	3267	3297	1062	1082	10.5	10.4	3.41	10.40	232.0	220.0	43.6	65.0	109.0	118.3	12.8	8.06
		QKT208P	11800	12000	3458	3516	1103	1143	10.7	10.5	3.41	10.50	237.0	220.0	45.9	65.0	109.0	118.3	12.8	8.06
		QKT222P	12800	12900	3751	3780	1219	1265	10.5	10.2	3.41	10.20	255.5	289.2	39.8	75.0	109.0	45.0	12.8	8.06
	QJT	QJT264P	15200	15300	4454	4484	1407	1443	10.8	10.6	3.17	3.11	287.0	229.0	40.8	75.0	127.7	127.7	12.8	8.06
		QJT282P	16250	16350	4762	4792	1519	1557	10.7	10.5	3.13	3.08	287.0	229.0	40.8	75.0	127.7	127.7	12.8	8.06
	QVT	QVT407P	24050	24300	7048	7121	2226	2314	10.8	10.5	3.16	3.08	284.0	341.6	49.6	75.0	123.4	33.0	16.0	9.70
		QVT425P	24500	24800	7179	7267	2311	2367	10.6	10.5	3.11	3.08	320.0	345.0	53.3	75.0	123.4	33.0	16.0	9.70
		QVT442P	26000	26300	7619	7707	2430	2500	10.7	10.5	3.14	3.08	320.0	345.0	53.3	75.0	123.4	33.0	16.0	9.70
	QPT	QPT330P	19900	20000	5829	5858	1877	2040	10.6	9.8	3.10	2.87	283.3	297.3	38.3	75.0	113.0	33.0	12.8	9.70
		QPT442P	26000	26300	7619	7707	2430	2500	10.7	10.5	3.14	3.08	326.9	337.3	78.3	75.0	123.4	33.0	16.0	9.70
		QPT464P	26000	26300	7619	7707	2430	2500	10.7	10.5	3.14	3.08	326.9	368.3	78.3	90.0	132.0	33.0	16.0	9.70
		QPT488P	29500	29600	8645	8675	2731	2792	10.8	10.6	3.16	3.11	355.2	414.4	73.9	90.0	132.0	33.0	16.0	9.70
		QPT525P	32000	32100	9377	9408	3048	3117	10.5	10.3	3.08	3.02	355.2	414.4	73.9	90.0	132.0	33.0	16.0	9.70
1PH, 200-220V	QAT	QAT134J	7800		2286		743		10.5		3.05		224.0	200.0	38.6	65.0	103.0	118.3	12.8	8.06
		QAT164J	9300		2726		903		10.3		3.02		224.0	200.0	38.6	65.0	103.0	118.3	12.8	8.06
	QPT	QPT442J	26880		7877		2400		11.2		3.28		336.4	398.4	55.6	90.0	133.4	33.0	16.0	9.70
		QPT525J	32000		9377		2963		10.8		3.16		353.2	414.4	73.9	90.0	132.0	33.0	16.0	9.70
1PH, 220V	QKT	QKT164H	9600		2813		906		10.6		3.11		224.0	200.0	38.6	65.0	103.0	118.3	12.8	8.06
		QKT185H	10800		3165		1020		10.6		3.10		230.0	262.6	33.6	75.0	109.0	45.0	12.8	6.53
		QKT208H	11875		3480		1120		10.6		3.22		237.0	220.0	45.9	65.0	109.0	118.3	12.8	8.06
	QJT	QJT325H	19000		5568		1727		11.0		3.22		284.0	312	53.3	75.0	123.4	33.0	12.8	9.70
QJT365H		21200		6212		2019		10.5		3.08		295.0	345	53.3	75.0	123.4	33.0	12.8	9.70	
3PH, 380-420V	QPT	QPT330Y	19500		5714		1806		10.8		3.16		283.3	297.3	38.3	75.0	113.0	33.0	12.8	9.70
		QPT425Y	25000		7326		2381		10.5		3.08		353.3	369.2	73.9	75.0	116.4	33.0	16.0	9.70
		QPT442Y	26000		7619		2360		11.0		3.22		355.2	340.5	73.9	90.0	147.0	147.5	16.0	9.70
		QPT525Y	30780		9020		2850		10.8		3.16		353.2	414.4	73.9	90.0	132.0	33.0	16.0	9.70

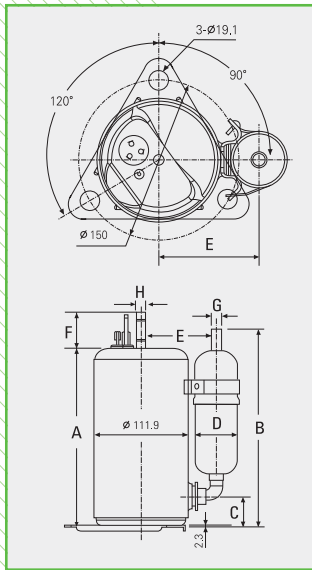


Rotary [R22 60Hz] for Asia / Latin America

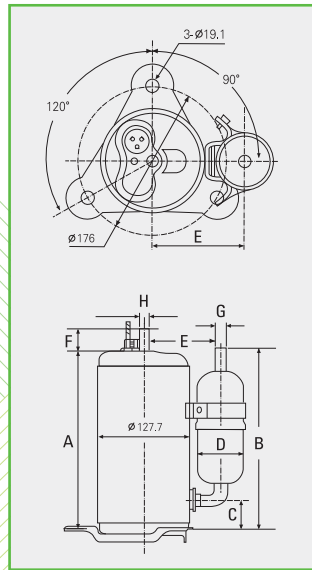
Super EER

Power Source	Series	Model	Cooling Capacity		Motor Input (Watts)	EER (Btu/W.hr)	COP (W/W)	Dimensions							
			(Btu/hr)	(Watts)				A	B	C	D	E	F	G	H
1PH, 208-230V	QK	QKS104K	7250	2125	642	11.3	3.31	226.7	285.9	45.9	50.8	89.0	35	9.7	8.06
		QKS125K	8700	2550	763	11.4	3.34	242.3	263.6	43.6	50.8	93.0	45	12.8	8.06
		QKS134K	9400	2755	817	11.5	3.37	242.3	259.6	43.6	50.8	101.0	35	12.8	8.06
		QKS141K	9800	2872	860	11.4	3.34	259.3	248.6	28.6	50.8	93.0	45	12.8	8.06
		QKS145K	10200	2989	879	11.6	3.40	243.3	259.6	43.6	50.8	101.0	35	12.8	8.06
		QKS151K	10550	3092	925	11.4	3.34	227.3	262.6	45.0	75.0	109.0	45	12.8	8.06
		QKS156K	11000	3224	957	11.5	3.37	214.3	248.6	28.6	50.8	93.0	45	12.8	8.06
		QKS164K	11500	3370	1009	11.4	3.34	233.0	249.6	33.6	50.8	101.0	35	12.8	8.06
		QKS173K	12100	3546	1061	11.4	3.34	237.3	263.6	43.6	65.0	103.0	45	12.8	8.06
	QJ	QJS196K	13900	4074	1230	11.3	3.31	239.6	266.2	37.2	75.0	113.0	33	12.8	9.70
		QJS208K	14850	4352	1303	11.4	3.34	264.6	216	37.2	75.0	104.8	33	12.8	9.70
		QJS222K	15700	4601	1365	11.5	3.37	244.6	266.2	37.2	75.0	113.0	33	12.8	9.70
		QJS230K	16300	4777	1430	11.4	3.34	254.6	257.2	37.2	65.0	109.0	33	12.8	9.70
		QJS250K	17850	5232	1594	11.2	3.28	278.7	253.2	37.2	65.0	104.8	33	16.0	9.70

QK

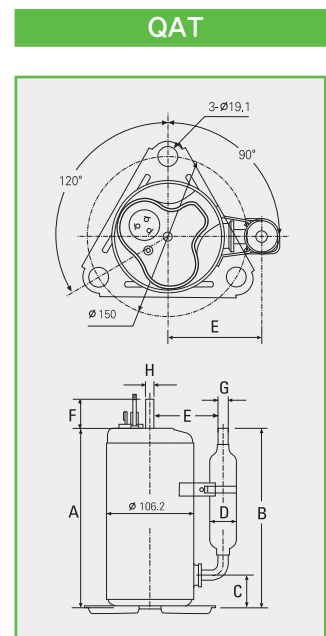
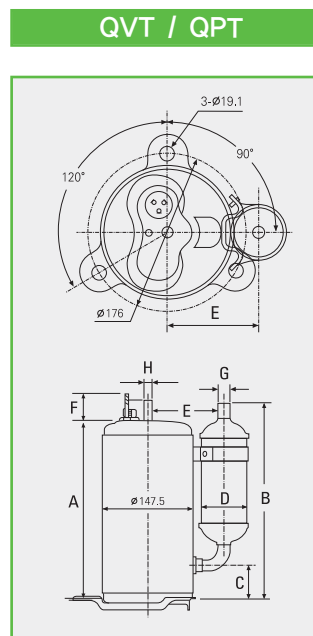
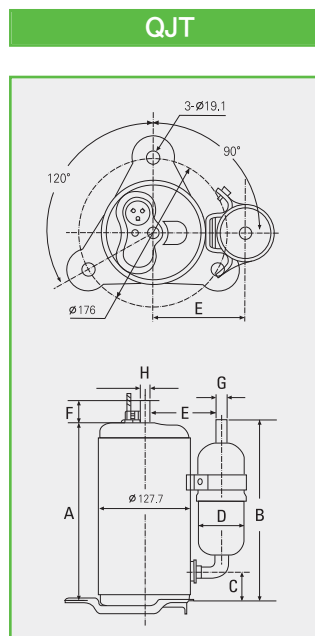
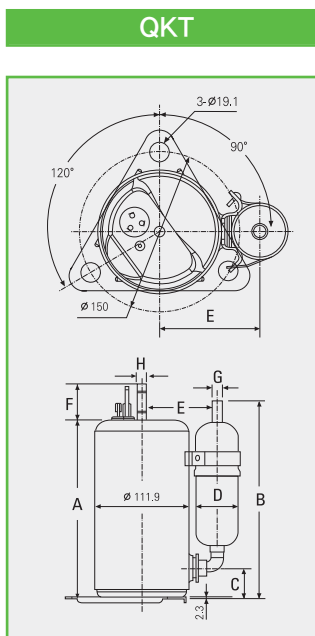


QJ



Standard EER

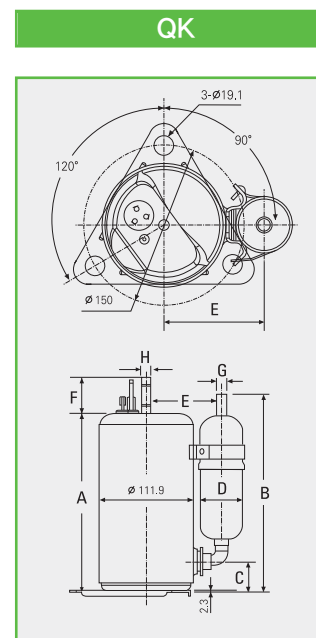
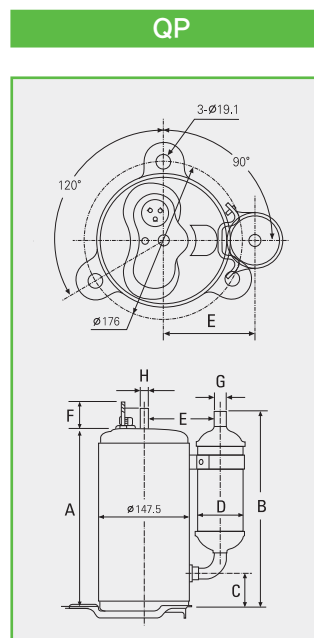
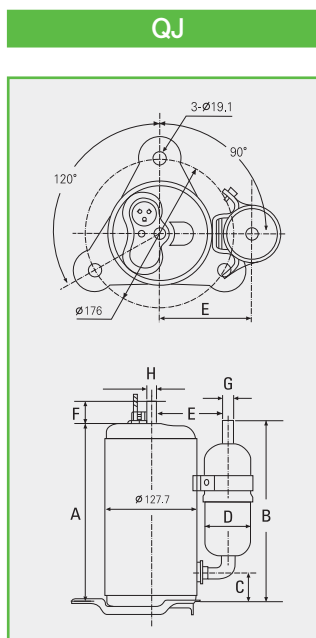
Power Source	Series	Model	Cooling Capacity		Motor Input (Watts)	EER (Btu/W.hr)	COP (W/W)	Dimensions							
			(Btu/hr)	(Watts)				A	B	C	D	E	F	G	H
1PH, 208-230V	QS	QS050K	3440	1008	351	9.8	2.87	220.0	260	43.6	50.8	93	35	9.7	8.06
	QA	QA075K	5180	1518	493	10.5	3.08	224.0	265.9	43.6	50.8	93	35	9.7	8.06
		QA096K	6600	1934	629	10.5	3.08	224.0	265.9	43.6	50.8	93	35	9.7	8.06
		QA104K	7250	2125	671	10.8	3.16	226.7	285.9	45.9	50.8	89	35	9.7	8.06
		QA110K	7600	2227	704	10.8	3.16	266.7	207.0	45.9	41.3	84	35	9.7	8.06
		QA114K	7890	2312	731	10.8	3.16	226.7	246.0	36.0	50.8	89	35	9.7	8.06
		QA125K	8600	2520	804	10.7	3.14	219.3	253.6	33.6	50.8	93	45	12.8	8.06
	QK	QK104K	7250	2125	671	10.8	3.17	207.3	248.6	28.6	50.8	93	45	9.7	8.06
		QK125K	8700	2549	805	10.8	3.17	219.3	253.6	33.6	50.8	93	45	12.8	8.06
		QK134K	9350	2740	874	10.7	3.13	224.3	263.6	43.6	50.8	93	45	9.7	6.53
		QK141K	9800	2872	907	10.8	3.17	259.3	248.6	28.6	50.8	93	45	12.8	8.06
		QK145K	10100	2960	935	10.8	3.17	214.3	248.6	28.6	50.8	93	45	12.8	8.06
		QK147K	10200	2989	945	10.8	3.16	230.0	256.0	45.0	50.8	93	45	12.8	8.06
		QK151K	10550	3092	981	10.8	3.15	227.3	262.6	45.0	75.0	109	45	12.8	8.06
		QK156K	11000	3223	1028	10.7	3.14	214.3	248.6	28.6	50.8	93	45	12.8	8.06
		QK164K	11500	3370	1045	11.0	3.22	227.3	253.6	33.6	65.0	103	45	12.8	8.06
		QK173K	12100	3546	1141	10.6	3.11	237.3	263.6	43.6	65.0	103	45	12.8	8.06
		QK175K	12100	3546	1130	10.7	3.14	232.3	300.0	35.9	75.0	109	33	12.8	8.06
		QK178K	12500	3663	1179	10.6	3.11	232.3	258.6	43.6	50.8	93	45	12.8	8.06
		QK182K	12600	3696	1211	10.4	3.05	230.0	256.0	43.6	50.8	93	45	12.8	8.06
		QK185K	13000	3810	1215	10.7	3.14	240.0	266.0	45.9	50.8	93	45	12.8	8.06
		QK191K	13400	3927	1252	10.7	3.14	230.3	253.6	33.6	65.0	103	35	12.8	8.06
		QK196K	13900	4073	1287	10.8	3.16	241.6	257.8	37.8	50.8	96	45	12.8	9.70
	QK208K	14800	4337	1383	10.7	3.14	241.6	257.8	37.8	65.0	109	45	12.8	9.70	
	QK222K	15900	4659	1458	10.9	3.20	241.6	257.8	37.8	65.0	109	45	12.8	9.70	
	QK230K	16300	4777	1523	10.7	3.14	252.0	298.5	48.5	75.0	109	45	12.8	9.70	
	QJ	QJ196K	13900	4073	1275	10.9	3.19	244.6	257.2	37.2	65.0	109	33	12.8	9.70
		QJ208K	14650	4293	1356	10.8	3.17	244.6	266.2	37.2	75.0	113	33	12.8	9.70
		QJ222K	15700	4601	1440	10.9	3.19	244.6	266.2	37.2	75.0	113	33	12.8	9.70



Rotary [R22 60Hz] for Asia / Latin America

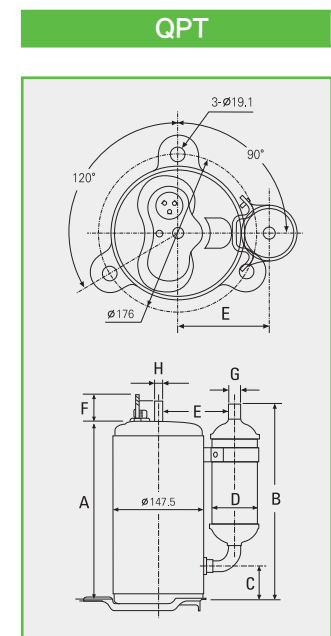
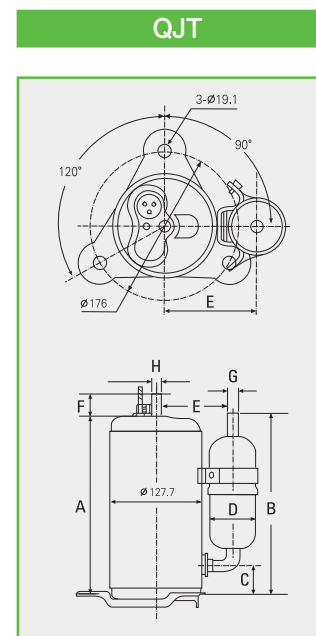
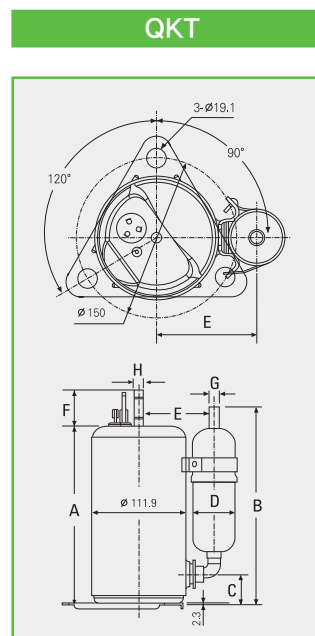
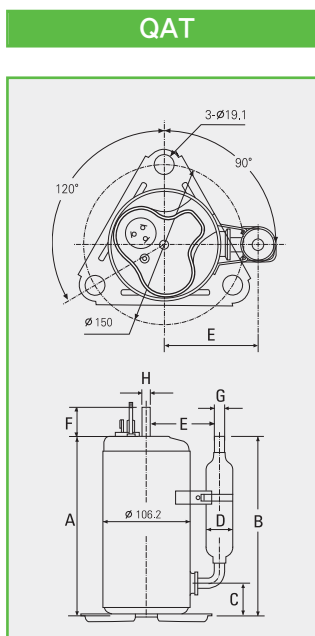
Standard EER

Power Source	Series	Model	Cooling Capacity		Motor Input (Watts)	EER (Btu/W.hr)	COP (W/W)	Dimensions							
			(Btu/hr)	(Watts)				A	B	C	D	E	F	G	H
1PH, 208-230V	QJ	QJ230K	16300	4777	1495	10.9	3.20	254.6	257.2	37.2	65.0	109.0	33	12.8	9.70
		QJ250K	17700	5187	1606	11.0	3.23	261.3	258.3	38.3	65.0	109.0	33	16.0	9.70
		QJ250K	17600	5158	1630	10.8	3.16	251.3	257.2	37.2	65.0	109.0	33	12.8	9.70
		QJ258K	18000	5275	1667	10.8	3.16	261.3	258.3	38.3	65.0	109.0	33	16.0	9.70
		QJ264K	18650	5465	1710	10.9	3.20	256.3	272.3	43.3	75.0	113.0	33	12.8	9.70
		QJ264K	18650	5465	1727	10.8	3.16	256.3	272.3	43.3	75.0	113.0	33	16.0	9.70
		QJ278K	19600	5744	1815	10.8	3.16	266.3	302.3	43.3	75.0	113.0	33	12.8	9.70
		QJ282K	19850	5817	1838	10.8	3.16	251.3	296.2	37.2	75.0	113.0	33	16.0	9.70
		QJ282K	20100	5890	1896	10.6	3.11	266.3	272.3	43.3	75.0	113.0	33	12.8	9.70
		QJ306K	22200	6505	2094	10.6	3.11	294.3	318.6	59.3	75.0	104.8	33	16.0	9.70
	QJ325K	23100	6769	2200	10.5	3.08	278.3	315.3	43.3	75.0	114.0	33	12.8	9.70	
	QJ348K	24650	7223	2370	10.4	3.05	295.0	345.0	53.3	75.0	123.4	33	16.0	9.70	
	QP	QP306K	22600	6623	2055	11.0	3.22	284.0	345.0	53.3	75.0	123.4	33	16.0	9.70
		QP325K	24000	7033	2162	11.1	3.25	295.0	345.0	53.3	75.0	123.4	33	12.8	9.70
		QP348K	25900	7590	2312	11.2	3.28	295.0	345.0	53.3	75.0	123.4	33	16.0	9.70
		QP362K	27000	7912	2571	10.5	3.08	284.0	345.0	53.3	75.0	123.4	33	16.0	9.70
		QP376K	27700	8117	2541	10.9	3.19	295.0	345.0	53.3	75.0	123.4	33	12.8	9.70
		QP390K	28700	8410	2707	10.6	3.11	284.0	345.0	53.3	75.0	123.4	33	16.0	9.70
		QP407K	30100	8821	2736	11.0	3.22	295.0	325.0	53.3	75.0	123.4	33	16.0	9.70
		QP425K	31900	9348	2927	10.9	3.19	295.0	345.0	53.3	75.0	123.4	33	16.0	9.70
QP442K		32500	9524	3037	10.7	3.14	295.0	345.0	53.3	75.0	123.4	33	16.0	9.70	
QK		QK125Q	8650	2535	801	10.8	3.08	284.0	345.0	53.3	75.0	123.4	33	16.0	9.70
	QK134Q	9350	2740	866	10.8	3.19	295.0	345.0	53.3	75.0	123.4	33	12.8	9.70	
	QK141Q	9800	2872	907	10.8	3.11	284.0	345.0	53.3	75.0	123.4	33	16.0	9.70	
	QK164Q	11500	3370	1075	10.7	3.22	295.0	345.0	53.3	75.0	123.4	33	16.0	9.70	
	QK173Q	12100	3546	1142	10.6	3.19	295.0	345.0	53.3	75.0	123.4	33	16.0	9.70	
QJ	QJ222Q	15800	4630	1463	10.8	3.14	295.0	345.0	53.3	75.0	123.4	33	16.0	9.70	
3PH, 220V	QP	QP348R	25900	7590	2344	11.0	3.24	331.6	386.4	78.4	90.0	132.5	33	16.0	9.70
3PH, 380V	QP	QP348U	25200	7385	2400	10.5	3.08	314.0	337.0	78.0	75.0	123.4	33	16.0	9.70
		QP407U	30100	8821	2787	10.8	3.16	320.0	345.0	53.3	75.0	123.4	33	16.0	9.70



Twin EER

Power Source	Series	Model	Cooling Capacity		Motor Input (Watts)	EER (Btu/W.hr)	COP (W/W)	Dimensions								
			(Btu/hr)	(Watts)				A	B	C	D	E	F	G	H	
1PH, 115V	QAT	QAT156C	10800	2756	1060	10.2	2.60	254.2	288.1	61.5	50.8	85.4	35	9.7	8.06	
	QKT	QKT134C	9400	2756	854	11.0	3.22	242.3	259.6	43.6	50.8	101.0	35	12.8	8.06	
		QKT164C	11500	3370	1065	10.8	3.16	233.0	249.6	33.6	50.8	101.0	35	12.8	8.06	
		QKT173C	12300	3604	1153	10.7	3.13	237.3	263.6	43.6	65.0	103.0	45	12.8	8.06	
		QKT191C	13600	3985	1259	10.8	3.17	230.3	253.6	33.6	65.0	103.0	35	12.8	8.06	
		QKT208C	15000	4396	1415	10.6	3.11	264.6	216.0	37.2	65.0	104.8	33	12.8	9.70	
1PH, 208-230V	QKT	QKT134K	9350	2740	874	10.7	3.13	242.3	259.6	43.6	65.0	101.0	35	12.8	8.06	
		QKT164K	11500	3370	1045	11.0	3.22	233.0	249.6	33.6	65.0	101.0	35	12.8	8.06	
		QKT173K	12100	3546	1141	10.6	3.11	237.3	263.6	43.6	65.0	103.0	45	12.8	8.06	
		QKT191K	13200	3868	1245	10.6	3.11	255.5	260.8	39.8	65.0	101.0	35	12.8	8.06	
		QKT208K	14800	4337	1370	10.8	3.17	264.6	216.0	37.2	65.0	104.8	33	12.8	9.70	
		QKT222K	15700	4601	1465	10.7	3.14	244.6	266.2	37.2	75.0	113.0	33	12.8	9.70	
	QJT	QJT230K	16500	4835	1530	10.8	3.16	278.7	253.2	37.2	75.0	104.8	33	12.8	9.70	
		QJT250K	17600	5158	1630	10.8	3.16	261.3	258.3	38.3	65.0	109.0	33	16.0	9.70	
		QJT264K	18650	5465	1710	10.9	3.20	251.3	257.2	37.2	65.0	109.0	33	12.8	9.70	
		QJT278K	19300	5656	1787	10.8	3.16	261.3	258.3	38.3	65.0	109.0	33	16.0	9.70	
	QPT	QJT282K	19700	5773	1876	10.5	3.08	294.2	311.3	78.0	65.0	109.0	33	12.8	9.70	
		QPT330K	24400	7150	2198	11.1	3.25	255.5	240.9	45.6	65.0	147.0	33	16.0	9.70	
		QPT407K	30100	8821	2736	11.0	3.22	355.2	369.2	73.9	41.0	116.4	33	16.0	9.70	
		QPT425K	31500	9231	2971	10.6	3.11	295.0	345.0	53.3	75.0	123.4	33	16.0	9.70	
		QPT442K	32400	9495	2972	10.9	3.19	334.1	346.8	76.5	90.0	133.4	33	16.0	9.70	
		QPT488K	36500	10696	3380	10.8	3.16	364.2	414.4	73.9	90.0	147.0	33	16.0	9.70	
	3PH, 380-420V	QPT	QPT525K	38700	11341	3651	10.6	3.11	364.2	414.4	73.9	90.0	132.0	33	16.0	9.70
			QPT330U	24400	7150	2259	10.8	3.16	255.5	240.9	45.6	90.0	147.0	33	16.0	9.70
QPT442U			32500	9524	2955	11.0	3.22	364.2	414.4	73.9	90.0	132.0	33	16.0	9.70	
3PH, 220V	QPT	QPT525U	38700	11341	3617	10.7	3.14	364.2	414.4	73.9	90.0	132.0	33	16.0	9.70	
		QPT442R	32500	9524	2955	11.0	3.22	364.2	414.4	73.9	90.0	132.0	33	16.0	9.70	
		QPT525R	38700	11341	3583	10.8	3.16	364.2	414.4	73.9	90.0	132.0	33	16.0	9.70	



Rotary [R22 50Hz] for Tropical

■ Features

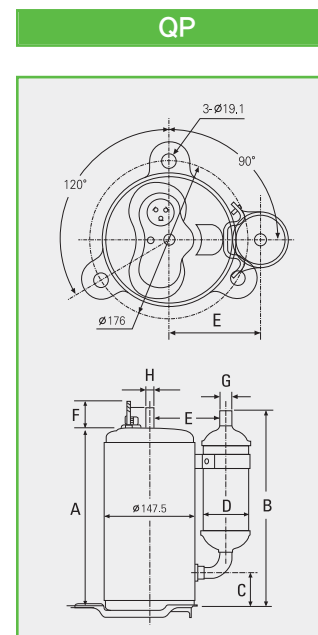
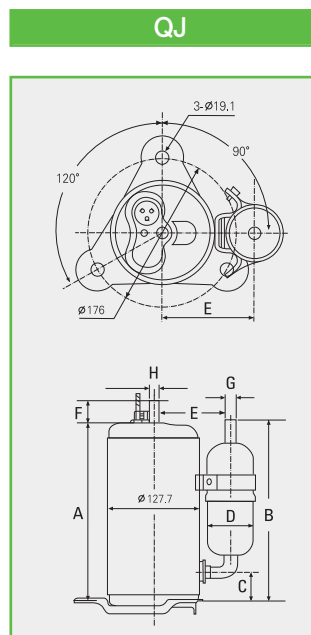
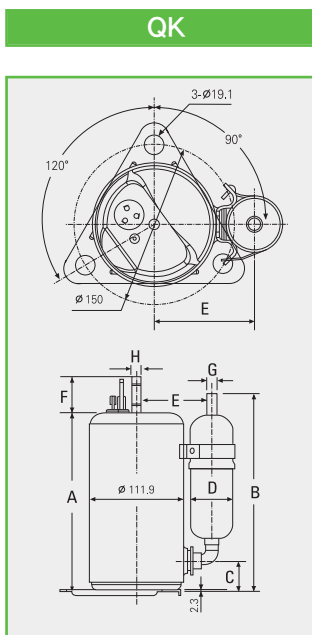
- High Reliability : Tropical Reliable Design (Motor / Mechanism)
- Various Efficiency Models : Standard and Super EER
- Single and Twin Cylinder available
- R410A models are available

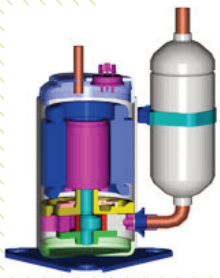
Super EER

Power Source	Series	Model	Cooling Capacity				Motor Input		EER		COP		Dimensions							
			(Btu/hr)		(Watts)		(Watts)		(Btu/W.hr)		(W/W)		A	B	C	D	E	F	G	H
1PH, 220-240V	QK	QKS125P	7110	7200	2084	2110	646	195	11.0	10.7	3.22	3.14	229.3	243.9	33.6	50.8	101.0	45	9.7	8.06
		QKS145P	8050	8100	2359	2374	732	220	11.0	10.7	3.22	3.14	242.3	259.6	43.6	-	101.0	35	12.8	8.06
		QKS164P	9300	9400	2725	2755	845	879	11.0	10.7	3.22	3.14	227.3	253.6	33.6	65	103.0	45	12.8	8.06
	QJ	QJS208P	11900	12000	3487	3516	1082	1121	11.0	10.7	3.22	3.14	251.6	267.8	47.8	65	103.0	45	12.8	8.06
		QJS222P	12800	12900	3751	3780	1164	1206	11.0	10.7	3.22	3.14	264.6	266.2	37.2	75	113.3	33	12.8	9.70
		QPS325P	19200	19300	5626	5656	1745	1787	11.0	10.8	3.22	3.16	256.0	345.3	53.3	75	123.4	33	16.0	9.70

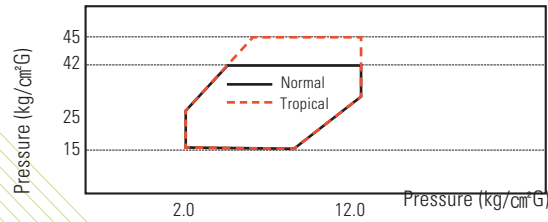
Twin Cylinder

Power Source	Series	Model	Cooling Capacity				Motor Input		EER		COP		Dimensions							
			(Btu/hr)		(Watts)		(Watts)		(Btu/W.hr)		(W/W)		A	B	C	D	E	F	G	H
1PH, 220-240V	QK	QKT222P	12500	7200	3663	2110	1190	359	10.5	10.2	3.08	2.99	255.5	289.2	39.8	75	109.0	45	12.8	8.06
	QJ	QJT325P	19300	12000	5656	3516	1771	1121	10.9	10.7	3.19	3.14	299.0	345.0	81.9	-	114.0	33	12.8	9.70
		QJT348P	20500	12900	6007	3780	1881	1206	10.9	10.7	3.19	3.14	309.0	345.0	81.9	75	113.0	33	12.8	9.70
	QP	QPT442P	26400	19300	7736	5656	2538	1787	10.4	10.8	3.05	3.16	326.9	337.3	78.3	75	123.4	33	16.0	9.70
		QPT464P	28500	19300	8352	5656	2740	1787	10.4	10.8	3.05	3.16	326.9	368.3	78.3	90	132.0	33	16.0	9.70
		QPT525P	31800	19300	9319	5656	3087	1787	10.3	10.8	3.02	3.16	281.9	434.4	73.9	90	132.0	33	16.0	9.70





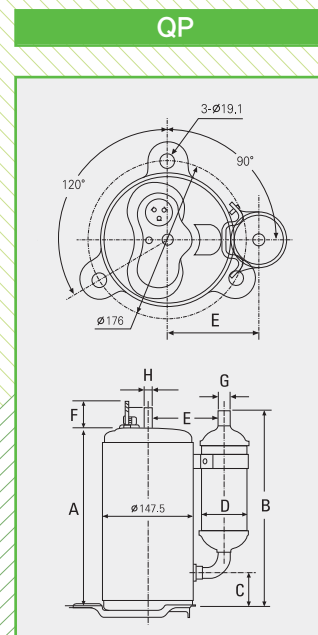
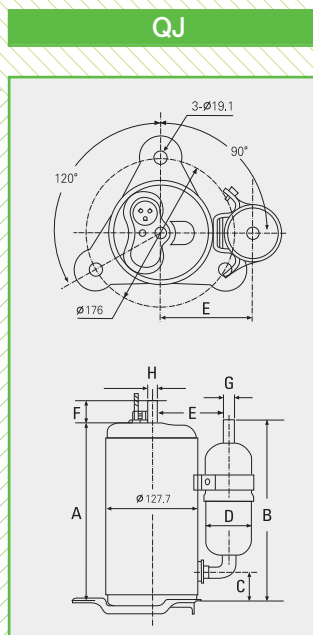
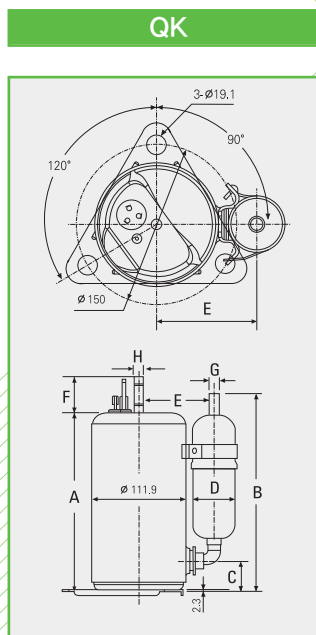
■ Operation Envelope for R410A



- ☑ High Load operation by 54℃ ambient
 - : High Torque and Efficiency motor design
- ☑ Pump part stress
 - Anti-wear coating for shaft
 - Special coating at Vane
- ☑ Optimized Over Load Protector specification

Standard EER

Power Source	Series	Model	Cooling Capacity				Motor Input		EER		COP		Dimensions							
			(Btu/hr)	(Watts)	(Watts)	(Watts)	(Btu/W.hr)	(Btu/W.hr)	(W/W)	(W/W)	A	B	C	D	E	F	G	H		
1PH, 220-240V	QK	QK125P	7150	7200	2095	2110	681	727	10.5	9.9	3.08	2.90	229.3	243.9	33.6	50.8	103	45	9.7	8.06
		QK208P	12100	12200	3546	3575	1163	1245	10.4	9.8	3.05	2.87	251.6	267.8	47.8	65.0	103	45	12.8	8.06
	QJ	QJ264P	15400	15500	4513	4542	1457	1529	10.6	10.1	3.10	2.97	266.3	216.0	43.3	-	104.8	33	16.0	9.70
		QJ325P	18700	19000	5480	5568	1815	1938	10.3	9.8	3.02	2.87	256.0	345.3	53.3	75.0	123.4	33	16.0	9.70
	QP	QP325P	19200	19300	5626	5656	1778	1856	10.8	10.4	3.16	3.05	284.0	345.0	53.3	75.0	123.4	33	16.0	9.70
		QP325P	19350	19400	5670	5685	1878	2000	10.3	9.7	3.02	2.84	256.0	345.3	53.3	75.0	123.4	33	16.0	9.70
		QP348P	20500	20600	6007	6037	1884	1967	10.9	10.5	3.19	3.08	295.0	345.0	53.3	75.0	123.4	33	12.8	9.70
		QP376P	22500	22600	6593	6623	2143	2282	10.5	9.9	3.08	2.90	295.0	312.0	53.3	75.0	123.4	33	16.0	9.70
		QP407PA	24100	24200	7062	7092	2317	2420	10.4	10.0	3.05	2.93	295.0	312.3	53.3	75.0	123.4	33	16.0	9.70
		QP407PD	24050	24300	7048	7121	2227	2303	10.8	10.6	3.16	3.09	284.0	312.3	53.3	75.0	123.4	33	16.0	9.70
		QP442P	26000	26200	7619	7678	2549	2758	10.2	9.5	2.99	2.78	295.0	345.0	53.3	75.0	123.4	33	16.0	9.70
		QP464P	27600	27700	8088	8117	2654	2885	10.4	9.6	3.05	2.81	295.0	345.0	53.3	75.0	123.4	33	16.0	9.70
		QP442J	26860	27700	7871	8117	2633	2885	10.2	9.6	2.99	2.81	295.0	345.0	53.3	75.0	123.4	33	16.0	9.70



Rotary [R22 60Hz] for Tropical

Super EER

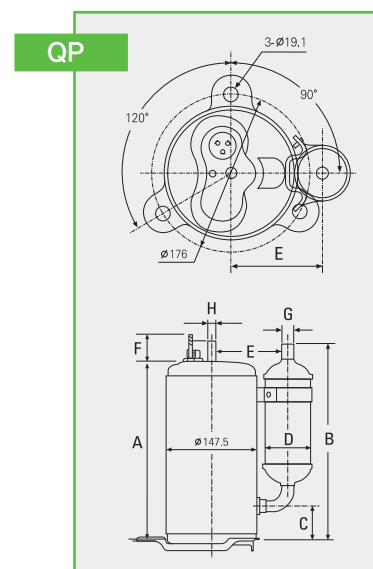
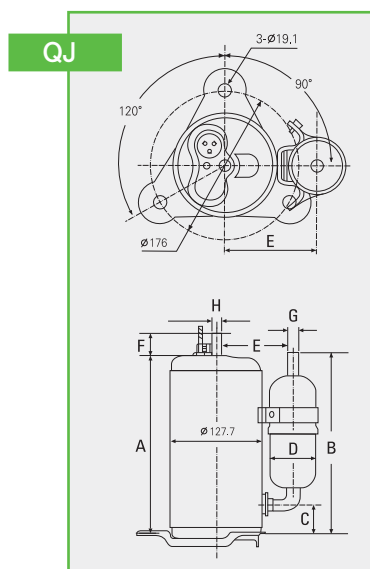
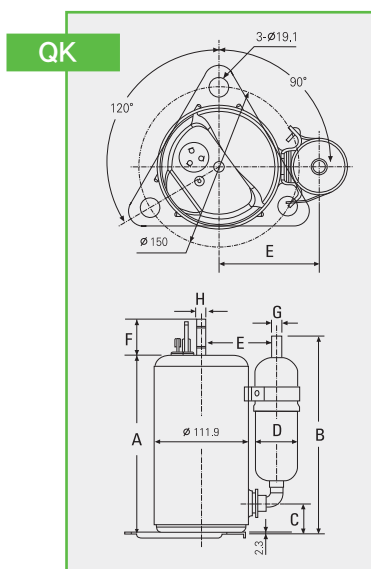
Power Source	Series	Model	Cooling Capacity		Motor Input (Watts)	EER (Btu/W.hr)	COP (W/W)	Dimensions							
			(Btu/hr)	(Watts)				A	B	C	D	E	F	G	H
1PH, 208-230V	QK	QKS145K	9150	2681	832	11.0	3.22	242.3	259.6	43.6	-	101	35	12.8	8.06
		QKS173K	12400	3634	1127	11.0	3.22	237.3	263.9	43.6	65	103	45	12.8	8.06
	QJ	QJS230K	16500	4835	1500	11.0	3.22	254.6	257.2	37.2	65	109	33	12.8	9.70
		QJS250K	17800	5216	1618	11.0	3.22	278.7	266.2	37.2	75	113	33	12.8	9.70
		QJS282K	20100	5890	1827	11.0	3.22	251.3	262.2	37.2	75	113	33	16.0	9.70
	QP	QPS306K	22600	6623	2055	11.0	3.22	284.0	345.0	53.3	75	123.4	33	16.0	9.70
		QPS325K	23700	6945	2155	11.0	3.22	295.0	345.0	53.3	75	123.4	33	12.8	9.70
		QPS348K	25700	7531	2336	11.0	3.22	295.0	345.0	53.3	75	123.4	33	16.0	9.70
		QPS362K	27000	7912	2455	11.0	3.22	284.0	345.0	53.3	75	123.4	33	16.0	9.70

Standard EER

Power Source	Series	Model	Cooling Capacity		Motor Input (Watts)	EER (Btu/W.hr)	COP (W/W)	Dimensions							
			(Btu/hr)	(Watts)				A	B	C	D	E	F	G	H
1PH, 208-230V	QK	QK173K	12400	3634	1205	10.30	3.02	237.3	263.9	43.6	65	103.0	45	12.8	8.06
	QJ	QJ250K	17800	5216	1703	10.45	3.06	251.3	257.2	37.2	65	109.0	33	12.8	9.70
		QJ258K	18400	5392	1736	10.60	3.11	261.3	258.3	38.3	65	109.0	33	16.0	9.70
		QJ258K	18300	5363	1777	10.30	3.02	261.3	258.3	38.3	65	109.0	33	16.0	9.70
		QJ278K	19600	5744	1885	10.40	3.05	266.3	302.3	43.3	75	113.0	33	12.8	9.70
		QJ278K	19600	5744	1867	10.50	3.08	266.3	302.3	43.3	75	113.0	33	12.8	9.70
		QJ282K	20100	5890	1897	10.60	3.11	251.3	262.2	37.2	75	113.0	33	16.0	9.70
	QP	QP306K	22600	6623	2055	10.50	3.08	284.0	345.0	53.3	75	123.4	33	16.0	9.70
		QP325K	23700	6945	2257	10.50	3.08	295.0	345.0	53.3	75	123.4	33	12.8	9.70
		QP348K	25700	7531	2424	10.60	3.11	295.0	345.0	53.3	75	123.4	33	16.0	9.70
		QP362K	27000	7912	2571	10.50	3.08	284.0	345.0	53.3	75	123.4	33	16.0	9.70
		QP390K	28700	8410	2707	10.60	3.11	284.0	345.0	53.3	75	123.4	33	16.0	9.70
		QP407K	30100	8821	2840	10.60	3.11	295.0	325.0	53.3	75	123.4	33	16.0	9.70
		QP425K	31500	9231	2930	10.75	3.15	295.0	345.0	53.3	75	123.4	33	16.0	9.70

Twin Cylinder

Power Source	Series	Model	Cooling Capacity		Motor Input (Watts)	EER (Btu/W.hr)	COP (W/W)	Dimensions							
			(Btu/hr)	(Watts)				A	B	C	D	E	F	G	H
1PH, 208-230V	QJ	QJT348K	25000	7326	2294	10.9	3.19	309.0	332.0	81.9	-	114	33	16	9.7
	QP	QPT464K	33300	9758	3142	10.6	3.11	355.2	434.6	106.6	90	132	33	16	9.7
		QPT525K	38400	11253	3840	10.0	2.93	364.2	434.4	73.9	90	132	33	16	9.7

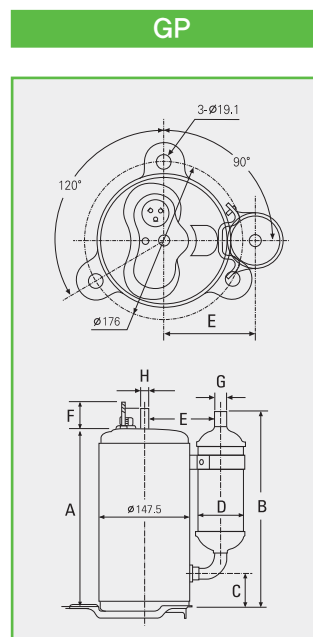
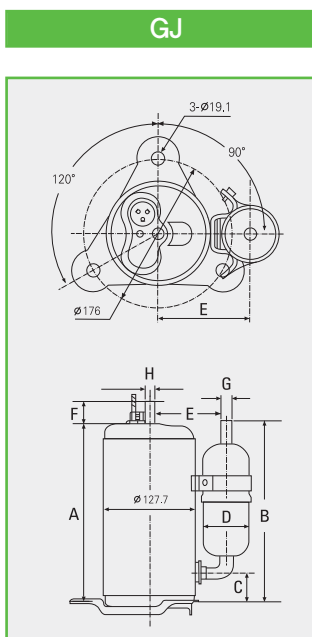
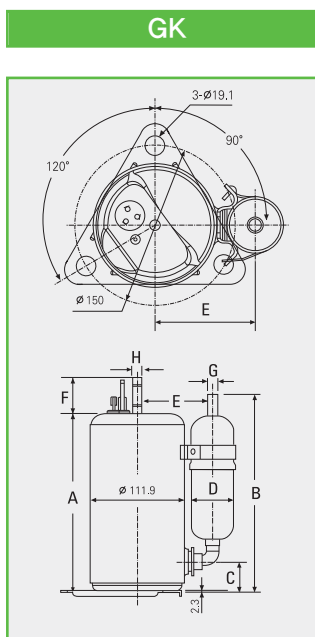


Standard EER

Power Source	Series	Model	Cooling Capacity				Motor Input		EER		COP		Dimensions							
			(Btu/hr)	(Watts)	(Btu/hr)	(Watts)	(Watts)	(Watts)	(Btu/W.hr)	(Btu/W.hr)	(W/W)	(W/W)	A	B	C	D	E	F	G	H
1PH, 220-240V	GK	GK141P	11450	11600	3355	3399	1180	1221	9.7	9.5	2.84	2.78	227.3	253.6	33.6	65.0	103.0	45	12.8	8.06
		GK151P	12200	12400	3575	3634	1245	1292	9.8	9.6	2.87	2.81	232.3	285.6	33.6	65.0	103.0	45	9.7	8.06
	GJ	GJ151P	12500	12650	3663	3707	1269	1304	9.9	9.7	2.89	2.84	266.3	320.2	37.0	50.8	93.0	33	12.8	9.70
		GJ208P	17500	17700	5128	5187	1750	1823	10.0	9.7	2.93	2.85	282.3	340.9	57.9	75.0	113.0	33	12.8	9.70
		GJ222P	18500	18700	5421	5480	1867	1928	9.9	9.7	2.90	2.84	266.3	324.9	41.9	75.0	114.0	33	12.8	9.70
		GJ230P	19100	19300	5597	5656	1949	2010	9.8	9.6	2.87	2.81	261.3	320.2	37.2	75.0	114.0	33	12.8	9.70
	GP	GP280P	23700	23900	6945	7004	2370	2439	10.0	9.8	2.93	2.87	295.0	345.0	53.3	75.0	123.4	33	16.0	9.70
		GP290P	24700	24900	7238	7297	2470	2541	10.0	9.8	2.93	2.87	320.1	406.4	78.4	90.0	132.5	33	16.0	9.70

Twin Cylinder

Power Source	Series	Model	Cooling Capacity				Motor Input		EER		COP		Dimensions							
			(Btu/hr)	(Watts)	(Btu/hr)	(Watts)	(Watts)	(Watts)	(Btu/W.hr)	(Btu/W.hr)	(W/W)	(W/W)	A	B	C	D	E	F	G	H
1PH, 220-240V	GKT	GKT141P	11450	11600	3355	3399	1180	1221	9.7	9.5	3.41	9.50	227	253.6	33.6	65.0	103.0	45	12.8	8.06
	GJT	GJT208P	17300	17500	5070	5128	1784	1842	9.7	9.5	2.84	2.78	282	340.9	57.9	75.0	113.0	33	12.8	9.70
		GJT230P	19100	19300	5597	5656	1969	2032	9.7	9.5	2.84	2.78	261	320.2	37.2	75.0	114.0	33	12.8	9.70
	GPT	GPT280P	23700	23900	6945	7005	2370	2439	10.0	9.8	2.93	2.87	295	345.0	53.3	75.0	123.4	33	16.0	9.70
		GPT290P	24700	24900	7238	7298	2470	2541	10.0	9.8	2.93	2.87	320	406.4	78.4	90.0	132.5	33	16.0	9.70
		GPT330P	28000	28200	8205	8265	2800	2878	10.0	9.8	2.93	2.87	355	414.6	106.6	90.0	132.0	33	16.0	9.70
		GPT407P	35000	35200	10256	10317	3535	3629	9.9	9.7	2.90	2.84	355	434.4	73.9	90.0	132.0	33	16.0	9.70



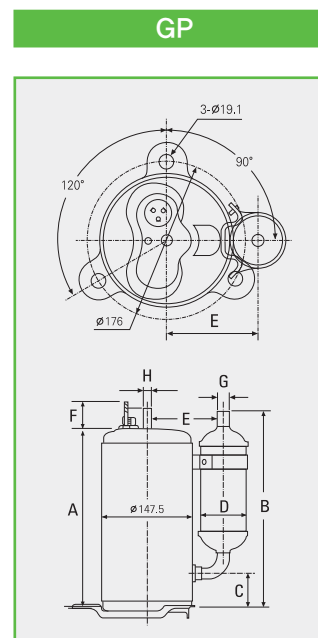
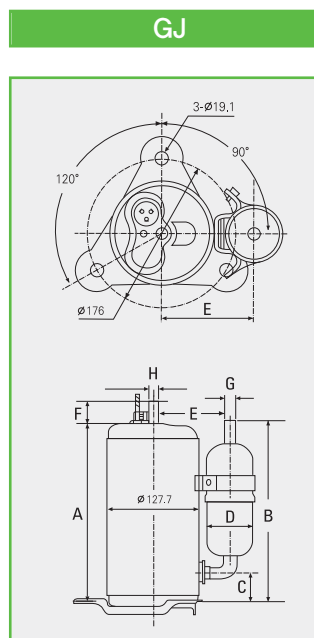
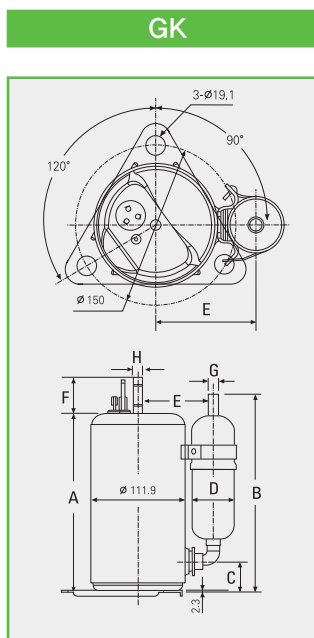
Rotary [R410A 60Hz] for Tropical

Standard EER

Power Source	Series	Model	Cooling Capacity		Motor Input (Watts)	EER (Btu/W.hr)	COP (W/W)	Dimensions							
			(Btu/hr)	(Watts)				A	B	C	D	E	F	G	H
1PH, 208-230V	GK	GK113K	11100	3253	1120	9.9	2.90	229.3	259.6	43.6	65	101	35	12.8	8.06
		GJ176K	18200	5334	1820	10.0	2.93	259.6	258.2	42.2	65	103	33	12.8	9.70
	GJ	GJ208K	21700	6360	2170	10.0	2.93	259.6	257.9	41.9	65	103	33	12.8	9.70
		GJ230K	24000	7034	2400	10.0	2.93	282.3	273.9	57.9	65	103	33	12.8	9.70

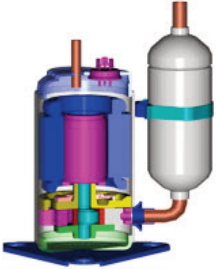
Twin Cylinder

Power Source	Series	Model	Cooling Capacity		Motor Input (Watts)	EER (Btu/W.hr)	COP (W/W)	Dimensions							
			(Btu/hr)	(Watts)				A	B	C	D	E	F	G	H
1PH, 208-230V	GKT	GKT113K	11100	3253	1120	9.9	2.90	229	259.6	43.6	65.0	101.0	35	12.8	8.06
		GKT120K	12100	3546	1222	9.9	2.90	224	251.6	31.6	65.0	103.0	35	12.8	8.06
	GJT	GJT176K	18200	5334	1820	10.0	2.93	260	258.2	42.2	65.0	103.0	33	12.8	9.70
		GJT196K	19800	5802	2020	9.8	2.87	254	258.2	42.2	65.0	109.0	33	12.8	9.70
		GJT208K	21450	6286	2145	10.0	2.93	260	257.9	41.9	65.0	103.0	33	12.8	9.70
		GJT230K	24600	7210	2460	10.0	2.93	282	273.9	57.9	65.0	103.0	33	12.8	9.70
	GPT	GPT270K	27500	8059	2750	10.0	2.93	295	345.3	53.3	75.0	123.4	33	16.0	9.70
		GPT280K	28500	8353	2850	10.0	2.93	295	345.0	53.3	75.0	123.4	33	16.0	9.70
		GPT290K	29500	8646	2950	10.0	2.93	320	406.4	78.4	90.0	132.5	33	16.0	9.70
		GPT330K	33500	9818	3350	10.0	2.93	364.2	369.2	73.9	41.0	116.4	33	16.0	9.70

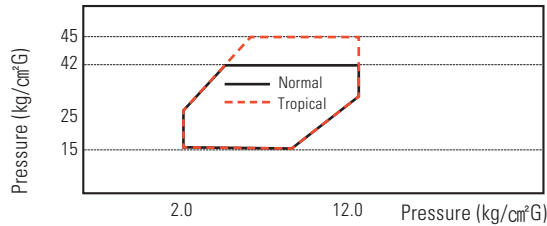


■ Features

- High Reliability : Tropical Reliable Design (Motor / Mechanism)
- Various Efficiency Models : Standard and Super EER
- Single and Twin Cylinder available
- R410A models are available



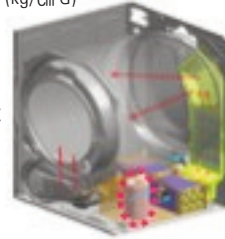
■ Operation Envelope for R410A



- High Load operation by 54 ambient
- High Torque and Efficiency motor design
- Pump part stress
- Anti-wear coating for shaft
- Special coating at Vane
- Optimized Over Load Protector specification

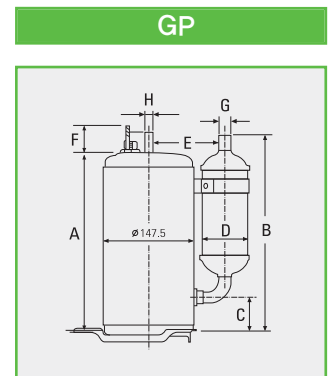
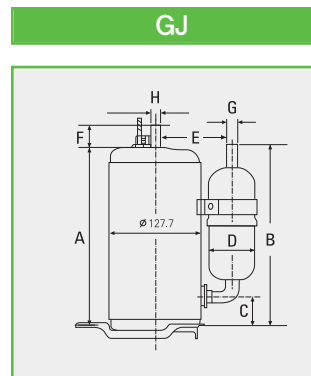
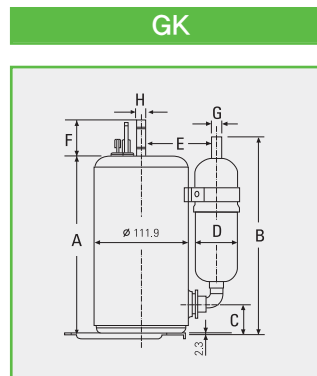
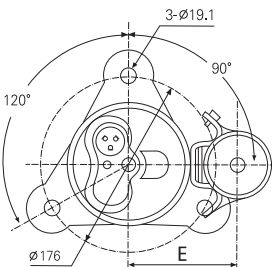
■ R134a Rotary for Dryer

- High Temp & Anti-Wear Design : New Material & Surface Treatment
- High Torque Motor



50Hz

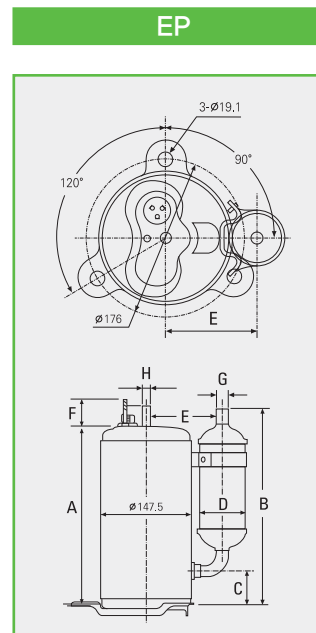
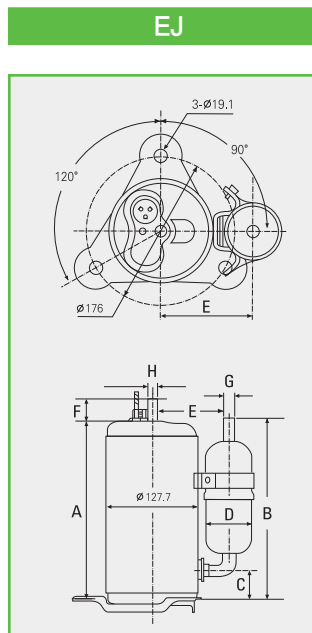
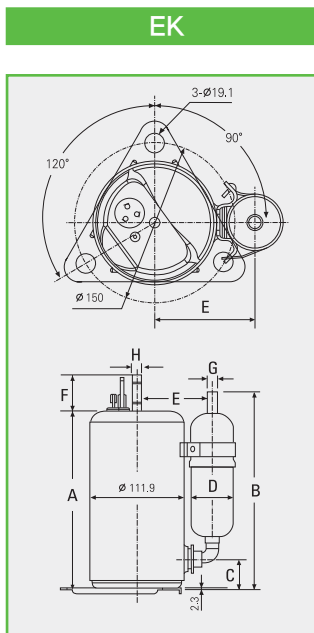
Power Source	Series	Model	Cooling Capacity				Motor Input		EER		COP		Dimensions							
			(Btu/hr)	(Watts)	(Watts)	(Watts)	(Btu/W.hr)	(Btu/W.hr)	(W/W)	(W/W)	A	B	C	D	E	F	G	H		
1PH, 220-240V	EK	EK086P	3200	3250	938	953	364	374	8.8	8.7	2.58	2.55	221.0	200.0	38.6	50.8	93.0	35	12.8	8.1
		EK094P	3500	3550	1026	1040	393	403	8.9	8.8	2.61	2.58	221.0	200.0	38.6	50.8	93.0	35	12.8	8.1
		EK102P	3800	3850	1114	1128	432	443	8.8	8.7	2.58	2.55	221.0	200.0	38.6	50.8	93.0	45	12.8	8.1
		EK108P	4000	4050	1172	1187	455	466	8.8	8.7	2.58	2.55	221.0	200.0	38.6	50.8	93.0	35	12.8	8.1
		EK113P	4200	4250	1231	1246	477	489	8.8	8.7	2.58	2.55	221.0	200.0	38.6	50.8	93.0	35	12.8	8.1
		EK120P	4450	4500	1304	1319	506	517	8.8	8.7	2.58	2.55	221.0	200.0	38.6	50.8	93.0	35	12.8	8.1
		EK134P	5000	5050	1465	1480	562	574	8.9	8.8	2.61	2.58	221.0	200.0	38.6	50.8	93.0	35	12.8	8.1
		EK141P	5250	5300	1539	1553	597	609	8.8	8.7	2.58	2.55	221.0	200.0	38.6	50.8	93.0	45	12.8	9.7
1PH, 220-240V	EJ	EJ208P	7080	7130	2075	2090	761	775	9.3	9.2	2.73	2.70	266.3	229.0	41.9	75.0	113.0	33	12.8	9.7
		EJ222P	7740	7790	2268	2283	832	847	9.3	9.2	2.73	2.70	266.3	229.0	41.9	75.0	113.0	33	12.8	9.7
		EJ250P	8700	8750	2550	2564	935	951	9.3	9.2	2.73	2.70	266.3	229.0	41.9	75.0	113.0	33	12.8	9.7
		EJ282P	9750	9800	2858	2872	1048	1065	9.3	9.2	2.73	2.70	266.3	229.0	41.9	75.0	113.0	33	16.0	9.7
1PH, 220-240V	EP	EP306P	10800	10850	3165	3180	1137	1154	9.5	9.4	2.78	2.75	295.0	318.6	59.3	75.0	123.4	33	16.0	9.7
		EP325P	11220	11270	3288	3303	1181	1199	9.5	9.4	2.78	2.75	295.0	315.3	43.3	75.0	123.4	33	12.8	9.7
		EP348P	12300	12350	3605	3620	1295	1314	9.5	9.4	2.78	2.75	295.0	345.0	53.3	75.0	123.4	33	16.0	9.7
		EP390P	13800	13850	4045	4059	1453	1473	9.5	9.4	2.78	2.75	295.0	325.0	53.3	75.0	123.4	33	16.0	9.7
		EP407P	14400	14450	4220	4235	1516	1537	9.5	9.4	2.78	2.75	295.0	325.0	53.3	75.0	123.4	33	16.0	9.7
		EP425P	15000	15050	4396	4411	1579	1601	9.5	9.4	2.78	2.75	295.0	312.3	53.3	75.0	123.4	33	16.0	9.7
		EP442P	16560	16610	4853	4868	1743	1767	9.5	9.4	2.78	2.75	295.0	381.0	53.3	75.0	123.4	33	16.0	9.7



Rotary [R134a 60Hz]

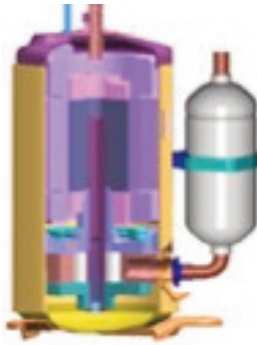
60Hz

Power Source	Series	Model	Cooling Capacity		Motor Input (Watts)	EER (Btu/W.hr)	COP (W/W)	Dimensions							
			(Btu/hr)	(Watts)				A	B	C	D	E	F	G	H
1PH, 208-230V	EK	EK086K	3850	1128	438	8.8	2.58	221.0	200.0	38.6	50.8	93.0	35.0	12.8	8.1
		EK094K	4200	1231	472	8.9	2.61	221.0	200.0	38.6	50.8	93.0	35.0	12.8	8.1
		EK102K	4550	1334	517	8.8	2.58	221.0	200.0	38.6	50.8	93.0	45.0	12.8	8.1
		EK108K	4850	1421	551	8.8	2.58	221.0	200.0	38.6	50.8	93.0	35.0	12.8	8.1
		EK113K	5050	1480	574	8.8	2.58	221.0	200.0	38.6	50.8	93.0	35.0	12.8	8.1
		EK120K	5350	1568	601	8.9	2.61	221.0	200.0	38.6	50.8	93.0	35.0	12.8	8.1
		EK134K	6000	1758	682	8.8	2.58	221.0	200.0	38.6	50.8	93.0	35.0	12.8	8.1
		EK141K	6300	1846	716	8.8	2.58	221.0	200.0	38.6	50.8	93.0	45.0	12.8	9.7
1PH, 208-230V	EJ	EJ196K	8896	2607	936	9.5	2.78	266.3	229.0	41.9	75.0	113.0	33	12.8	9.7
		EJ208K	9376	2748	987	9.5	2.78	266.3	229.0	41.9	75.0	113.0	33	12.8	9.7
		EJ230K	10432	3057	1098	9.5	2.78	266.3	229.0	41.9	75.0	113.0	33	12.8	9.7
		EJ250K	11264	3301	1186	9.5	2.78	266.3	229.0	41.9	75.0	113.0	33	12.8	9.7
		EJ282K	12864	3770	1354	9.5	2.78	266.3	229.0	41.9	75.0	113.0	33	16.0	9.7
1PH, 208-230V	EP	EP306K	14464	4239	1476	9.8	2.87	294.3	318.6	59.3	75.0	104.8	33	16.0	9.7
		EP325K	15360	4502	1567	9.8	2.87	278.3	315.3	43.3	75.0	114.0	33	12.8	9.7
		EP348K	16576	4858	1691	9.8	2.87	295.0	345.0	53.3	75.0	123.4	33	16.0	9.7
		EP362K	18368	5383	1874	9.8	2.87	295.0	325.0	53.3	75.0	123.4	33	16.0	9.7
		EP390K	17728	5196	1809	9.8	2.87	295.0	325.0	53.3	75.0	123.4	33	16.0	9.7
		EP407K	19264	5646	1966	9.8	2.87	295.0	312.3	53.3	75.0	123.4	33	16.0	9.7
		EP425K	20416	5984	2083	9.8	2.87	295.0	381.0	53.3	90.0	132.5	33	16.0	9.7
		EP442K	20800	6096	2122	9.8	2.87	295.0	345.0	53.3	75.0	123.4	33	16.0	9.7



■ Features

- Wide Range Operation
: Running Voltage without Stabilizer : 135 ~ 285V
- High Torque Motor & High Performance Mechanism



■ Operating range

Normal condition(35°C)

187V	Standard	276V
135V	W-Range	285V

Running Voltage

Tropical condition(54°C)

198V	Standard	264V
150V	W-Range	275V

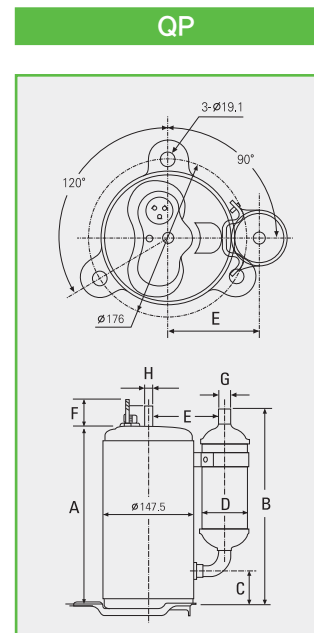
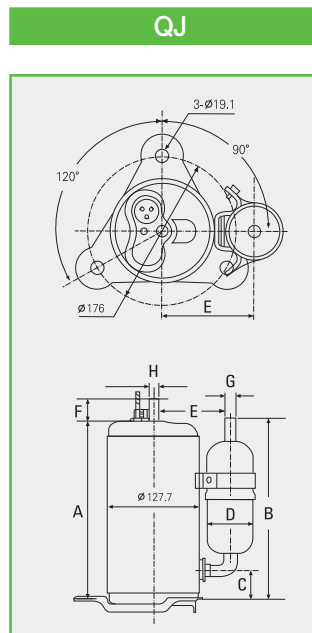
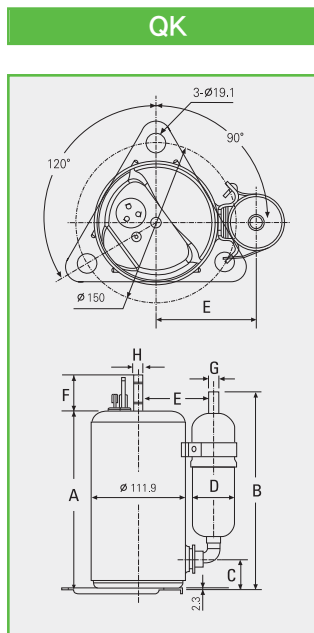
Running Voltage

- New Motor design
: High Torque & Efficiency
- High Efficiency Pump Design
- Optimized Over Load Protector
: Low & High Voltage

R22 50Hz

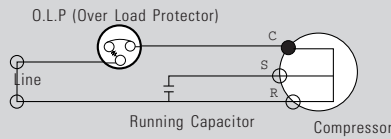
Power Source	Series	Model	Cooling Capacity				Motor Input		EER		COP		Dimensions							
			(Btu/hr)	(Watts)	(Watts)	(Watts)	(Btu/W.hr)	(Btu/W.hr)	(W/W)	(W/W)	A	B	C	D	E	F	G	H		
1PH, 220-240V	QK	QK164P	9300	9400	2825	2755	877	895	10.6	10.0	3.11	2.93	238.7	295.0	44.5	75.0	114.0	35	12.8	8.06
	QJ	QJ208P	11800	12000	3458	3516	1093	1121	10.7	10.0	3.14	2.93	244.6	315.2	42.2	57.2	101.9	33	12.8	9.70
	QP	QP348P	20500	20600	6007	6037	1916	2060	10.7	10.0	3.14	2.93	305.0	361.3	53.3	90.0	132.5	33	16.0	9.70

Power Source	Series	Model	Cooling Capacity		Motor Input (Watts)	EER (Btu/W.hr)	COP (W/W)	Dimensions							
			(Btu/hr)	(Watts)				A	B	C	D	E	F	G	H
1PH, 208-230V	QK	QK145K	9150	2681	863	10.6	3.11	238.7	295.0	44.5	75	114	35	12.8	8.06
		QK173K	12400	3634	1170	10.6	3.11	241.7	296.5	46.0	75	114	35	12.8	8.06
	QJ	QJ282K	20100	5890	1897	10.6	3.10	251.3	296.2	37.2	75	113	33	16.0	9.70
	QP	QP348K	25700	7531	2424	10.6	3.11	305.0	361.3	53.3	90	132.5	33	16.0	9.70



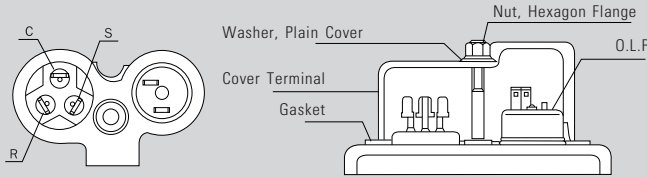
Wiring Diagram Rotary Compressor

for External OLP Wiring Diagram

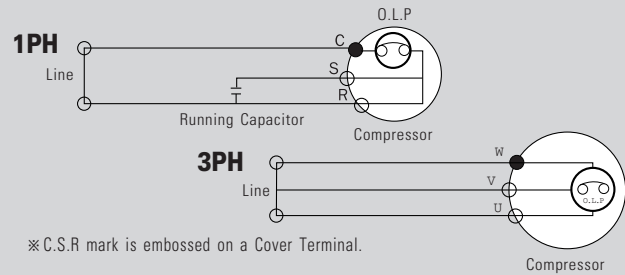


※ C.S.R mark is embossed on a Cover Terminal.

Cover Terminal Fitting

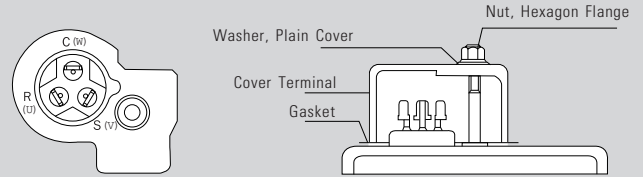


for Internal OLP Wiring Diagram



※ C.S.R mark is embossed on a Cover Terminal.

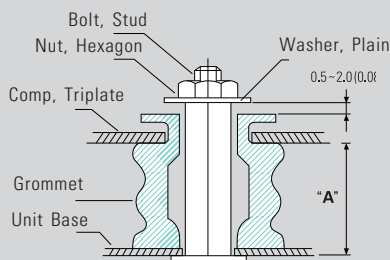
Cover Terminal Fitting



Mountings Rotary Compressor

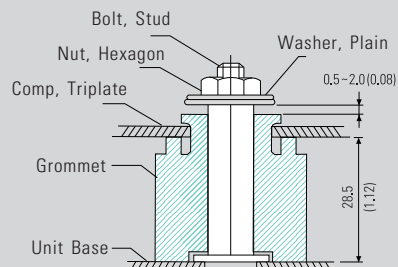
Adimension - For QA series : 14mm (0.55 inch) - For QK ~ QJ series : 28mm (1.10 inch)

Mounting for QA~QJ(196~292) Series



Mounting for QJ(306~348)~QP Series

unit : mm (inch)



Accessory Parts For Rotary Compressor

unit : mm (inch)

Series	OLP Type	Standard Accessory					Optional Accessory		
		Cover Terminal	Gasket	Washer Plain Cover	Nut, Hexagon Flange	Grommet	Bolt Stud.	Washer Plain	Nut, Hexagon
QA/GA	External (7)	(1)	(3)	(5)	(6)	(8)	(11)	(12)	(13)
QK/QJ(196~292)	External (7)	(1)	(3)	(5)	(6)	(9)	(11)	(12)	(13)
	Internal	(2)	(4)	(5)	(6)	(9)	(11)	(12)	(13)
QJ(306~348)/QP	Internal	(2)	(4)	(5)	(6)	(10)	(11)	(12)	(13)

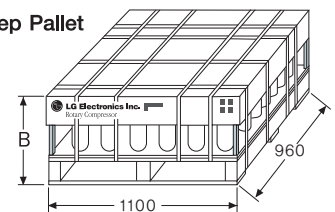


Packing & Container Stuffing Q'ty

unit : mm

Items	1 Step Pallet		2 Step Pallet		1 Container (20ft)					Remark
	Packing Q'ty	Size B	Packing Q'ty	Size B	Packing Q'ty	Pallet Q'ty				
						1 step	2 step	Acc'y	Total	
QS	42	380	84	670	2,100	2	24	2	28	
QA/GA	36	400	72	700	1,908	5	24	2	31	075~096
	36	420	72	735	1,800	2	24	2	28	104~125
QK/GK/NK	20	440	40	770	1,160	12	23	1	36	
QK Twin	16	440	32	770	752	1	23	1	25	
QJ/GJ/NJ	20	480	40	800	940	1	23	1	25	
QJ Twin	20	480	40	800	860	1	21	1	23	
QP/GP/NP	16	500	32	900	784	3	23	1	27	
QP Twin	16	500	32	900	560	11	12	1	24	

1 Step Pallet



2 Step Pallet

