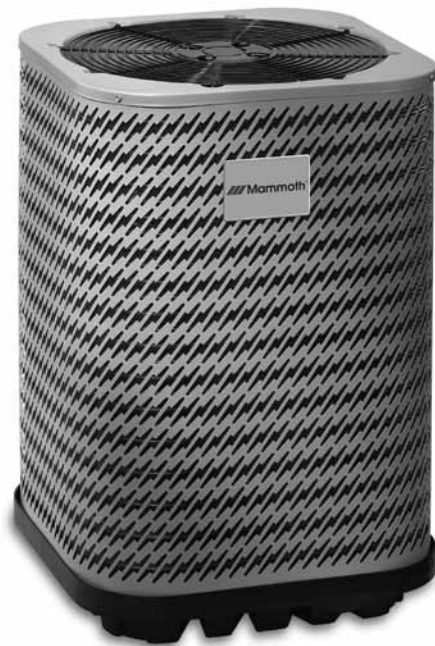


JT4BE Series

14 SEER, 8.0 HSPF
3-Phase Light Commercial
High Efficiency Heat Pump
3, 4, 5 Ton Capacities

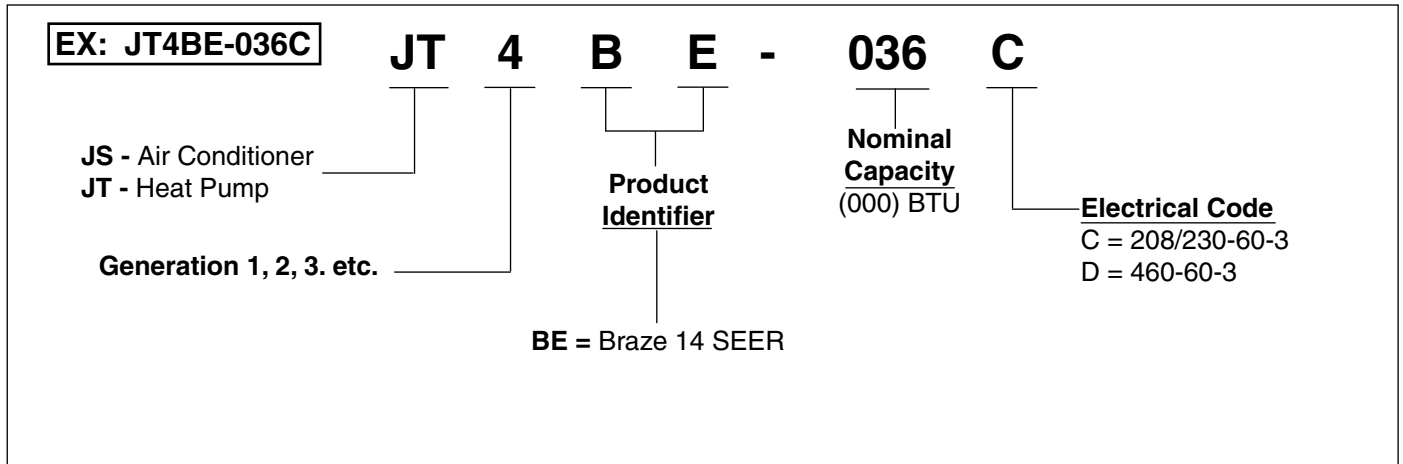
The JT4BE Series heat pump, when combined with our engineered coils or air handlers, offers a full line of quality, split system heating and cooling equipment. Units are ideally sized for slab or rooftop mounting in light commercial applications.



FEATURES and BENEFITS

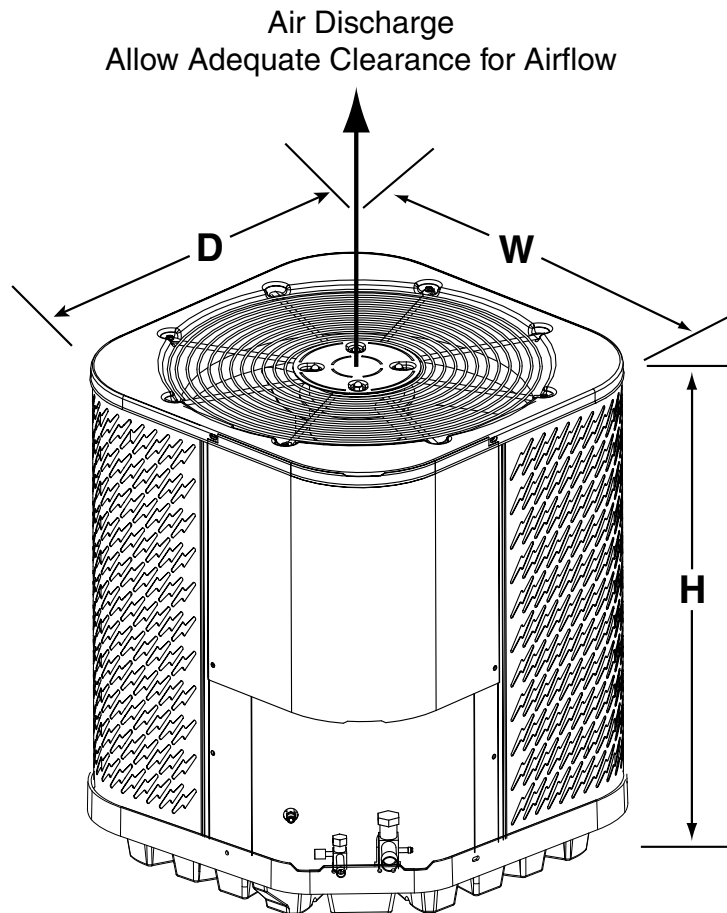
- **Durable, Attractive Cabinet** – Designed using galvanized steel with a polyester urethane finish. The finish passes 950 hours of salt spray per ASTM Std. B117.
- **Composite Base Pan** – Absorbs sound and is corrosion resistant. Composite is also stronger and lighter than steel.
- **Anteater MC[®] Micro-Channel** – All aluminum coils provide high corrosion resistance.
- **Permanently Lubricated Motor** – A heavy duty PSC motor for long lasting reliability and quiet operation. Requires no maintenance and is completely protected from rain and snow.
- **Full Service Valves** – These brass valves are easily accessible and simplify servicing of the refrigeration system.
- **Time / Temperature Defrost** – A reliable, industry standard control offers various time settings to meet any type climate.
- **Removable Top Grille Assembly** – Allows ease of service from the top without disconnecting fan motor leads.
- **Liquid Line Filter Drier** – Included with unit, field installed.
- **One Piece Top/Orifice** – Designed for maximum airflow and quiet operation.
- **High Pressure Switch** – Protects against abnormally high system pressures. Auto-reset feature prevents nuisance service visits.
- **Common Suction Service Port** – This port allows the contractor to read the suction pressure in all modes of operation without removing any panels, saving time and increasing serviceability.
- **Five Minute Restart Time Delay** – When the unit shuts down, a five minute delay keeps the unit from restarting, eliminating the highest cause for compressor failure.
- **Suction Accumulator and Crankcase Heat** – Protection from liquid flood back and future compressor failures.
- **Hot Gas Muffler** – Reduces compressor noise and vibration.
- **Easy Compressor and Control Access** – Designed to make servicing easier for the contractor, access panels are provided to all controls and the compressor from the side of the unit.
- **Complete Metal Wrapper** – Protects the unit coil from being damaged.

MODEL IDENTIFICATION CODES



DIMENSIONS HEAT PUMP OUTDOOR SECTION

JT4BE-	036C	048C	060C	036D	048D	060D
H	43 1/2"	43 1/2"	43 1/2"	43 1/2"	43 1/2"	43 1/2"
W	30 3/4"	30 3/4"	30 3/4"	30 3/4"	30 3/4"	30 3/4"
D	30 3/4"	30 3/4"	30 3/4"	30 3/4"	30 3/4"	30 3/4"



PHYSICAL AND ELECTRICAL SPECIFICATIONS / OUTDOOR UNITS

14 SEER — High Efficiency — Three Phase

Model No. JT4BE-		036C	048C	060C	036D	048D	060D	
Electrical Data	Volts-Cycles-Phase	208/230-60-3 (1)			460-60-3			
	Total Amps	10.0	14.6	17.4	6.2	6.8	8.4	
	Delay Fuse Max. (2)	20	30	35	15	15	15	
	Min. Circuit Ampacity	12.2	17.9	21.4	7.6	8.3	10.4	
Component Data	Coil	Area (ft ²)	25.0	25.0	25.0	25.0	25.0	25.0
		Rows-FPI	1-14	1-14	1-16	1-14	1-14	1-16
		Tube Dia.	MC					
	Fan Motor	Type	PSC					
		Amps	1.0	1.5	1.5	0.6	0.7	0.7
		HP	0.20	0.25	0.25	0.20	0.25	0.25
	Compressor Data	RLA	9.0	13.1	15.9	5.6	6.1	7.7
		LRA	71.0	83.1	110.0	38.0	41.0	52.0
Refrigerant Suction Line O.D.* NOTE: Liquid line is 3/8" O.D. for entire length.	0-24 ft.	7/8"	7/8"	7/8"	7/8"	7/8"	7/8"	
	25-39 ft.	7/8"	7/8"	1-1/8" (3)	7/8"	7/8"	1-1/8" (3)	
	40-75 ft.	7/8"	7/8"	1-1/8" (3)	7/8"	7/8"	1-1/8" (3)	
Approximate Weight (lbs.)	Net	182	204	206	182	204	206	
	Ship	191	213	215	191	213	215	

(1) Operating Voltage Range: 187v min. - 253v max.

(2) HACR Type Circuit Breakers may be used.

(3) Requires 7/8" to 1-1/8" reducer from line to unit.

(4) Additional charge for line sets above 15 feet.

Values based on suction line as follows with 3/8" liquid line.

a) 3/4" = 0.6 oz. per additional foot.

b) 7/8" = 0.7 oz. per additional foot.

c) 1-1/8" = 0.8 oz. per additional foot.

*For other line set dimensions, refer to the Application Guidelines for Refrigerant Lines Addendum

ACCESSORIES

COPPER WIRE SIZE — AWG (1% Voltage Drop)				
Supply Wire Length-Feet				Supply Circuit Ampacity
200	150	100	50	
6	8	10	14	15
4	6	8	12	20
4	6	8	10	25
4	4	6	10	30
3	4	6	8	35
3	4	6	8	40
2	3	4	6	45
2	3	4	6	50

Low Ambient Kit	918837
Low Pressure Switch	913551
Fan Delay Kit	918476
High Wind Kit	920900

Wire Size based on N.E.C. for 60° type copper conductors.

SYSTEM HEATING & COOLING CAPACITIES

14 SEER — High Efficiency — Three Phase

Outdoor Unit JT4BE-	Indoor Unit	Cooling Capacity Btuh	SEER	EER	Heating Capacity Btuh @ 47°F	HSPF	Nominal SCFM
036(C,D)	B6EMMX36K-B	34,200	14	11.5	34,000	8.2	1,270
048(C,D)	B6BMMX60K-C	45,500	14	11.5	46,500	8.2	1,600
060(C,D)	B6BMMX60K-C	54,500	14	11	57,000	8.2	1,600

Outdoor Unit JT4BE-	Indoor Coil + TDR	Furnace	Cooling Capacity Btuh	SEER	EER	Heating Capacity BTUH @47°F	HSPF	Nominal SCFM
036(C,D)	C7B(A,H)MX36(C,U)-B		34,200	14	11.5	34,200	8.2	1,140
048(C,D)	C7B(A,H)MX48(C,U)-C	FG7(S,T)*-C	45,500	14	11.5	46,000	8.2	1,600
048(C,D)	C7B(A,H)MX48(C,U)-D	FG7(S,T)*-D	45,000	14	11.5	46,000	8.2	1,600
060(C,D)	C7B(A,H)MX60(C,U)-C	FG7(S,T)*-C	55,000	14	11.5	57,000	8.2	1,600

See current AHRI Directory for certified combinations and ratings
www.ahridirectory.org

COOLING EXPANDED RATINGS

JT4BE-036(C,D) B6EMMX36K-B

O.D.T			65°F			75°F			85°F			95°F			105°F			115°F		
CFM	E.D.B.	E.W.B.	T.C.	S.C.	K.W.	T.C.	S.C.	K.W.	T.C.	S.C.	K.W.	T.C.	S.C.	K.W.	T.C.	S.C.	K.W.	T.C.	S.C.	K.W.
1050	80	62	35.7	28.8	1.96	34.4	28.6	2.17	32.9	28.7	2.40	31.4	28.3	2.66	29.79	29.29	2.97	28.37	27.89	3.32
	80	67	38.8	23.1	1.97	37.3	22.9	2.18	35.7	23.1	2.42	34.0	22.7	2.68	32.21	22.38	2.98	30.29	21.22	3.33
	80	72	42.7	17.8	2.00	41.0	17.7	2.21	39.2	18.1	2.44	37.3	17.7	2.70	35.34	17.51	3.00	33.17	17.98	3.35
	75	62	35.4	23.3	1.96	34.0	23.1	2.17	32.5	23.3	2.40	31.0	22.8	2.66	29.34	21.12	2.97	27.59	22.64	3.32
1200	80	62	36.7	31.1	2.00	35.2	31.7	2.21	33.8	31.1	2.44	32.4	30.6	2.70	31.01	29.96	3.01	29.44	29.19	3.36
	80	67	39.7	24.6	2.01	38.1	25.3	2.22	36.4	24.6	2.46	34.6	24.4	2.72	32.79	24.40	3.02	30.83	24.40	3.37
	80	72	43.6	18.8	2.03	41.8	19.6	2.25	39.9	19.1	2.48	37.8	19.0	2.74	35.57	19.09	3.04	33.41	19.16	3.38
	75	62	36.2	24.9	1.99	34.7	25.4	2.20	33.2	24.8	2.44	31.6	24.5	2.70	29.89	24.46	3.00	28.17	24.96	3.35
1350	80	62	37.5	33.7	2.03	36.3	33.8	2.25	35.0	32.6	2.48	33.5	31.8	2.75	31.98	30.90	3.05	30.32	30.19	3.40
	80	67	40.4	26.4	2.05	38.7	26.7	2.26	37.0	26.1	2.49	35.2	26.0	2.76	33.28	25.83	3.06	31.26	25.95	3.40
	80	72	44.1	20.2	2.07	42.0	20.6	2.28	40.1	20.0	2.52	38.1	20.0	2.78	36.05	19.92	3.08	33.88	20.13	3.42
	75	62	36.9	26.7	2.03	35.4	26.9	2.24	33.8	26.3	2.47	32.2	26.8	2.74	30.45	26.62	3.04	28.64	26.66	3.39

JT4BE-048(C,D) B6BMMX60K-C

O.D.T			65°F			75°F			85°F			95°F			105°F			115°F		
CFM	E.D.B.	E.W.B.	T.C.	S.C.	K.W.	T.C.	S.C.	K.W.	T.C.	S.C.	K.W.	T.C.	S.C.	K.W.	T.C.	S.C.	K.W.	T.C.	S.C.	K.W.
1400	80	62	47.2	37.1	2.73	45.5	37.8	2.97	43.5	38.0	3.25	41.3	37.4	3.57	39.13	38.47	3.95	37.29	36.66	4.39
	80	67	51.5	30.5	2.75	49.4	30.3	2.99	47.1	30.5	3.27	44.8	29.9	3.59	42.35	29.48	3.96	39.80	27.96	4.40
	80	72	56.8	23.5	2.77	54.3	23.4	3.01	51.9	23.8	3.29	49.2	23.3	3.61	46.46	22.97	3.98	43.65	23.56	4.41
	75	62	47.0	30.9	2.72	45.1	30.6	2.97	43.0	30.8	3.25	40.8	30.1	3.57	38.61	27.77	3.95	36.24	29.81	4.39
1600	80	62	48.6	41.2	2.79	46.6	41.9	3.03	44.5	41.1	3.31	42.8	40.4	3.63	40.78	39.40	4.01	38.65	38.32	4.45
	80	67	52.7	32.5	2.81	50.4	33.4	3.05	48.1	32.5	3.32	45.6	32.2	3.65	43.07	32.13	4.02	40.40	32.10	4.46
	80	72	57.9	24.8	2.83	55.4	25.9	3.07	52.8	25.1	3.35	50.0	24.9	3.67	47.10	25.08	4.04	43.88	25.24	4.47
	75	62	48.1	32.9	2.78	46.0	33.6	3.03	43.9	32.8	3.30	41.7	32.3	3.63	39.29	32.21	4.01	36.82	32.06	4.44
1800	80	62	49.7	44.7	2.85	48.0	44.7	3.09	46.2	43.1	3.37	44.2	41.9	3.69	42.02	40.60	4.07	39.76	39.59	4.51
	80	67	53.6	35.0	2.87	51.3	35.3	3.11	48.8	34.4	3.38	46.3	34.3	3.70	43.67	34.01	4.08	40.92	34.14	4.51
	80	72	58.8	26.6	2.89	56.1	27.2	3.13	53.3	26.4	3.40	50.2	26.4	3.72	47.31	26.25	4.09	44.39	26.52	4.52
	75	62	49.0	35.3	2.84	46.9	35.6	3.08	44.6	34.7	3.36	42.3	34.4	3.68	39.99	35.08	4.06	37.50	35.13	4.50

JT4BE-060(C,D) B6BMMX60K-C

O.D.T			65°F			75°F			85°F			95°F			105°F			115°F		
CFM	E.D.B.	E.W.B.	T.C.	S.C.	K.W.	T.C.	S.C.	K.W.	T.C.	S.C.	K.W.	T.C.	S.C.	K.W.	T.C.	S.C.	K.W.	T.C.	S.C.	K.W.
1445	80	62	56.7	41.7	3.55	54.6	41.3	3.86	52.3	41.5	4.23	49.8	40.8	4.66	47.26	43.72	5.16	44.88	41.52	5.74
	80	67	62.1	34.6	3.61	59.5	34.4	3.93	56.9	34.8	4.30	54.1	34.1	4.73	51.31	33.59	5.22	48.44	31.57	5.80
	80	72	68.1	27.1	3.69	65.4	27.0	4.01	62.6	27.5	4.39	59.7	26.9	4.82	56.60	26.56	5.32	53.58	27.39	5.97
	75	62	56.6	35.2	3.54	54.3	34.9	3.86	52.0	35.1	4.23	49.6	34.4	4.66	47.02	31.87	5.16	44.35	34.11	5.73
1595	80	62	58.0	43.9	3.60	55.7	44.8	3.92	53.3	43.7	4.29	51.0	44.4	4.72	48.34	44.29	5.22	45.68	44.27	5.79
	80	67	63.1	36.3	3.67	60.4	37.4	3.98	57.7	36.4	4.35	55.0	35.9	4.78	52.15	35.98	5.28	49.18	36.00	5.85
	80	72	69.4	28.2	3.75	66.5	29.5	4.07	63.6	28.5	4.45	60.5	28.3	4.88	57.32	28.54	5.37	54.24	28.89	6.03
	75	62	57.7	36.9	3.60	55.3	37.7	3.91	52.9	36.7	4.28	50.5	36.2	4.71	47.82	36.13	5.21	45.06	36.02	5.78
1745	80	62	59.0	46.6	3.66	56.6	46.9	3.97	54.4	47.1	4.35	51.8	46.9	4.78	49.13	46.61	5.27	46.78	46.59	5.85
	80	67	64.0	38.5	3.72	61.3	38.9	4.04	58.6	37.8	4.41	55.8	37.7	4.84	52.87	37.45	5.34	49.82	37.68	5.91
	80	72	70.4	29.8	3.81	67.5	30.5	4.13	64.4	29.5	4.50	61.2	29.6	4.93	57.85	29.53	5.43	54.65	30.10	6.08
	75	62	58.7	39.0	3.65	56.3	39.3	3.97	53.8	38.2	4.34	51.2	38.0	4.77	48.47	37.61	5.26	45.64	37.69	5.84

HEATING EXPANDED RATINGS

JT4BE-036(C,D) / B6EMMX36K-B

CFM	Indoor T. Deg.F	OUTDOOR TEMPERATURE (Deg. F)																							
		10			17			20			30			40			47			50			60		
		MBH	COP	kW	MBH	COP	kW	MBH	COP	kW	MBH	COP	kW	MBH	COP	kW	MBH	COP	kW	MBH	COP	kW	MBH	COP	kW
1120	60	18.0	2.55	2.07	21.3	2.96	2.11	22.7	3.13	2.13	27.5	3.68	2.19	32.3	4.20	2.25	35.6	4.54	2.30	37.0	4.69	2.32	41.8	5.15	2.38
	70	17.3	2.42	2.10	20.5	2.79	2.16	21.9	2.94	2.18	26.4	3.43	2.26	30.9	3.88	2.34	34.1	4.19	2.39	35.5	4.31	2.42	40.0	4.71	2.49
	80	16.7	2.28	2.15	19.8	2.62	2.21	21.1	2.76	2.24	25.4	3.20	2.33	29.7	3.61	2.41	32.7	3.88	2.47	34.0	3.99	2.50	38.3	4.35	2.59
1270	60	18.1	2.50	2.12	21.5	2.92	2.16	23.0	3.09	2.18	27.8	3.65	2.24	32.7	4.17	2.29	36.1	4.53	2.34	37.5	4.67	2.35	42.4	5.15	2.41
	70	17.5	2.38	2.16	20.7	2.75	2.21	22.1	2.91	2.23	26.7	3.40	2.31	31.4	3.86	2.38	34.6	4.17	2.43	36.0	4.30	2.45	40.6	4.71	2.53
	80	16.9	2.24	2.21	20.0	2.58	2.27	21.3	2.72	2.29	25.7	3.17	2.38	30.1	3.59	2.46	33.2	3.87	2.52	34.5	3.98	2.54	38.9	4.34	2.63
1420	60	18.2	2.46	2.17	21.7	2.88	2.21	23.2	3.05	2.23	28.1	3.61	2.28	33.0	4.15	2.33	36.5	4.51	2.37	37.9	4.66	2.39	42.9	5.15	2.44
	70	17.7	2.35	2.21	21.0	2.73	2.26	22.4	2.88	2.28	27.1	3.38	2.35	31.8	3.85	2.42	35.0	4.16	2.47	36.4	4.29	2.49	41.1	4.71	2.56
	80	17.1	2.22	2.26	20.2	2.56	2.32	21.6	2.70	2.34	26.0	3.15	2.42	30.5	3.57	2.51	33.6	3.84	2.56	34.9	3.96	2.59	39.4	4.33	2.67

JT4BE-048(C,D) / B6BMMX60K-C

CFM	Indoor T. Deg.F	OUTDOOR TEMPERATURE (Deg. F)																							
		10			17			20			30			40			47			50			60		
		MBH	COP	kW	MBH	COP	kW	MBH	COP	kW	MBH	COP	kW	MBH	COP	kW	MBH	COP	kW	MBH	COP	kW	MBH	COP	kW
1405	60	23.4	2.54	2.70	27.9	2.93	2.79	29.9	3.09	2.83	36.4	3.60	2.96	42.8	4.06	3.09	47.4	4.36	3.19	49.3	4.48	3.23	55.8	4.87	3.36
	70	22.6	2.34	2.83	27.0	2.70	2.93	28.9	2.85	2.98	35.2	3.31	3.12	41.5	3.73	3.26	45.9	4.01	3.36	47.8	4.12	3.40	54.1	4.47	3.55
	80	22.1	2.17	2.99	26.3	2.50	3.09	28.2	2.63	3.14	34.2	3.05	3.29	40.3	3.43	3.44	44.6	3.68	3.55	46.4	3.78	3.60	52.5	4.11	3.75
1605	60	23.6	2.51	2.76	28.3	2.91	2.84	30.2	3.08	2.88	36.8	3.60	3.00	43.4	4.08	3.12	48.0	4.39	3.21	50.0	4.52	3.25	56.6	4.93	3.37
	70	22.9	2.32	2.89	27.4	2.69	2.98	29.3	2.84	3.02	35.7	3.32	3.16	42.1	3.75	3.29	46.5	4.04	3.38	48.5	4.15	3.42	54.9	4.53	3.55
	80	22.3	2.15	3.05	26.6	2.48	3.15	28.5	2.62	3.19	34.7	3.06	3.33	40.9	3.45	3.47	45.2	3.72	3.57	47.1	3.82	3.61	53.3	4.16	3.75
1805	60	23.7	2.48	2.81	28.4	2.89	2.89	30.5	3.05	2.93	37.2	3.58	3.04	43.9	4.07	3.16	48.6	4.40	3.24	50.6	4.53	3.28	57.3	4.95	3.39
	70	23.2	2.31	2.95	27.7	2.68	3.04	29.7	2.83	3.07	36.2	3.32	3.20	42.6	3.76	3.32	47.1	4.05	3.41	49.1	4.17	3.45	55.6	4.56	3.57
	80	22.6	2.13	3.10	27.0	2.47	3.20	28.8	2.61	3.24	35.1	3.06	3.37	41.4	3.46	3.50	45.7	3.73	3.59	47.6	3.84	3.63	53.9	4.20	3.77

JT4BE-060(C,D) / B6BMMX60K-C

CFM	Indoor T. Deg.F	OUTDOOR TEMPERATURE (Deg. F)																							
		10			17			20			30			40			47			50			60		
		MBH	COP	kW	MBH	COP	kW	MBH	COP	kW	MBH	COP	kW	MBH	COP	kW	MBH	COP	kW	MBH	COP	kW	MBH	COP	kW
1395	60	29.8	2.64	3.32	35.2	2.97	3.47	37.5	3.11	3.54	45.2	3.52	3.77	52.9	3.89	3.99	58.3	4.12	4.15	60.6	4.21	4.22	68.3	4.51	4.44
	70	28.9	2.39	3.54	34.2	2.70	3.71	36.4	2.83	3.78	44.0	3.21	4.01	51.5	3.56	4.25	56.8	3.78	4.41	59.1	3.86	4.48	66.7	4.14	4.72
	80	28.4	2.19	3.79	33.5	2.48	3.97	35.7	2.59	4.04	43.1	2.94	4.29	50.4	3.25	4.54	55.5	3.45	4.72	57.7	3.53	4.79	65.1	3.79	5.04
1595	60	30.1	2.63	3.36	35.5	2.97	3.50	37.9	3.11	3.57	45.7	3.54	3.78	53.5	3.93	3.99	59.0	4.18	4.14	61.3	4.28	4.21	69.1	4.59	4.42
	70	29.2	2.39	3.58	34.6	2.71	3.74	36.9	2.84	3.80	44.5	3.24	4.02	52.1	3.60	4.24	57.5	3.83	4.40	59.8	3.93	4.47	67.4	4.22	4.69
	80	28.6	2.19	3.84	33.8	2.48	4.00	36.1	2.60	4.07	43.5	2.97	4.30	51.0	3.30	4.53	56.2	3.51	4.69	58.4	3.60	4.76	65.9	3.87	4.99
1795	60	30.1	2.60	3.39	35.7	2.96	3.54	38.1	3.10	3.60	46.0	3.54	3.81	54.0	3.94	4.02	59.6	4.20	4.16	62.0	4.30	4.22	69.9	4.63	4.43
	70	29.6	2.39	3.63	35.0	2.72	3.78	37.3	2.85	3.84	45.0	3.26	4.05	52.7	3.63	4.26	58.1	3.87	4.40	60.4	3.96	4.47	68.1	4.27	4.68
	80	28.9	2.18	3.88	34.2	2.49	4.03	36.4	2.61	4.10	44.0	2.99	4.31	51.5	3.33	4.53	56.7	3.55	4.68	59.0	3.64	4.75	66.5	3.93	4.96



GENERAL TERMS OF LIMITED WARRANTY

Nortek Global HVAC, LLC will furnish a replacement for any part of this product which fails in normal use and service within the terms and conditions of the warranty.

For complete details of the Limited Warranty, including applicable terms and conditions, see your local installer or contact the Nortek Global HVAC, LLC warranty department for a copy.

Before purchasing this appliance, read important energy cost and efficiency information available from your retailer. Specifications and illustrations subject to change without notice and without incurring obligations. Printed in U.S.A (02/2017)