

# XBC



## High Efficiency, Gas Fired, Stainless Steel, Condensing Water Boiler

- Up to 95% AFUE - high efficiency, and low emissions!
- Inexpensive, value-priced, and value-packed condensing boiler
- 80-180 MBH (5 sizes)
- 5:1 turndown saves energy
- ASME "H" stamp-certified stainless steel heat exchanger
- Factory pre-set, advanced Sage2.2 Boiler Control and LCD display reduce installation time and provides EASY, "out-of-the-box" setup and high efficiency from initial startup
- 100% system tested at factory
- Universal vent connection
- Outdoor reset and sensor
- 5-year parts warranty

**U.S. Boiler Company**

MADE IN U.S.A.

# X-C: Technical Information



## Standard Equipment

- Direct vent appliance
- Natural or LP gas
- Stainless steel heat exchanger
- Easy access control panel
- Sage2.2 Control System
  - LCD display
  - (3) circulator outputs available
  - Outdoor reset including outside sensor
  - DHW priority
- Variable speed combustion blower
- Gas valve
- Polypropylene condensate trap
- Flow switch, pre-installed
- Supply, return, and flue temperature sensors
- Universal exhaust vent connection
- Differential pressure switch
- Pre-installed hanging bracket and wall mount kit

## Accessories

- Kit, CPVC starter and PVC vent terminations: (2" P/N: 107039-01) (3" P/N: 107039-02)
- Service parts repair kit (P/N: 106260-02)

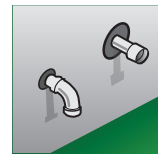
## X-C Ratings & Specifications

Model	AFUE%	Input (MBH) min-max	DOE Heating Capacity (MBH)	Net AHRI (MBH)	Vent Size (Inches)
X-C080	94.0	16-80	74	64	2 or 3
X-C100	93.3	20-100	92	80	2 or 3
X-C120	94.0	24-120	112	97	3
X-C150	95.0	30-150	142	123	3
X-C180	94.0	36-180	170	148	3

Safety Relief Valve Pressure, Water – 30 PSI std. ASME "H" stamp. Maximum Allowable Working Pressure is 50 PSI. Boilers shipped set for natural gas. Product is listed for elevations to 2000'.

## Typical Venting Configurations (Horizontal and Vertical)

Illustrations are for representation only. For complete venting information, please see X-C Installation manual.



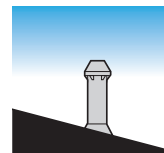
Horizontal 2-pipe



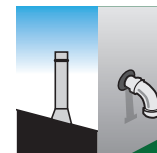
Horizontal 2-pipe low profile



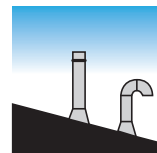
Horizontal 2-pipe concentric



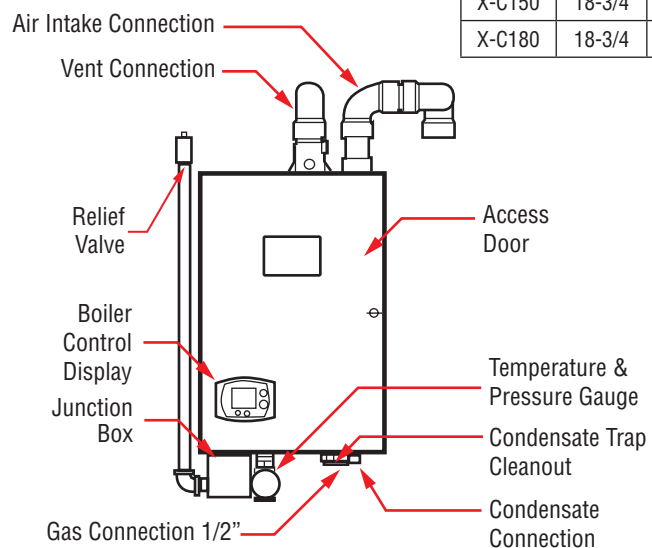
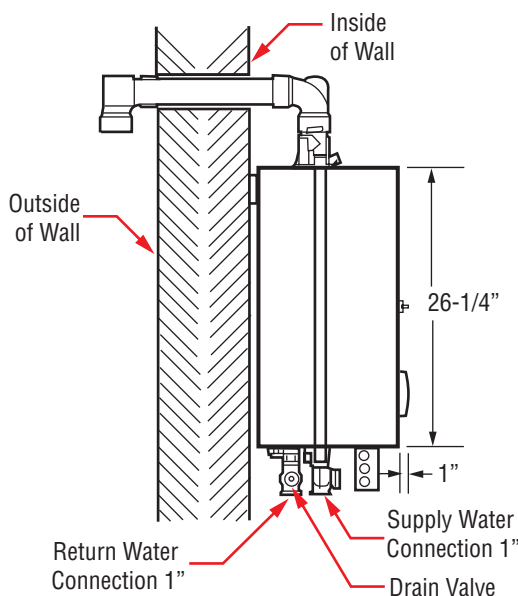
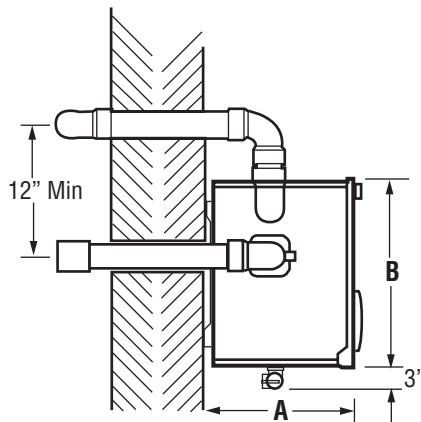
Vertical 2-pipe concentric



Hybrid



Vertical 2-pipe



## X-C Dimensions (Inches)

Model	A	B
X-C080	14	17-7/16
X-C100	14	17-7/16
X-C120	14	17-7/16
X-C150	18-3/4	19-15/16
X-C180	18-3/4	19-15/16