

PAE Series 3 to 5 TON



**12+ SEER
Three Phase**



Unit shipped with Coil Guard installed.



Rated in accordance
with ARI Standard 210.



CONVERTIBLE SINGLE PACKAGE A/C

CONSTRUCTION

- Triple-coated steel, consisting of a polyester top coat, a urethane primer coat preceded by an oxide pre-treatment.

CONVERTIBLE DISCHARGE

- Units have side-by-side supply and return air openings for either horizontal or downflow applications. Simply relocate duct cover panels.

COILS

- Both the condenser and evaporator coils have aluminum fins and copper tubes to promote efficient heat transfer. The refrigerant circuit is sealed, tested and fully charged at the factory.

EVAPORATOR BLOWER

- All model sizes are equipped with multiple speed direct drive blower motors to provide proper air flow for both heating and cooling requirements.

FILTER DRIERS

- To insure refrigerant cleanliness.

COMPRESSOR

- The high efficiency compressor has external rubber mounts to help minimize system noise and features an automatic reset current / temperature sensing overload protection system. All models feature scroll compressors.

METERING DEVICE

- The refrigerant flow is controlled with a Thermostatic Expansion Valve (TXV).

SERVICEABILITY

- All electrical controls are behind one easy access panel. Externally mounted gauge ports provides easier servicing and allows for more accurate reading of operating conditions.

CONTROLS

- High and low pressure switches to provide compressor protection.
- 0 degrees F. low ambient fan control device.
- Anti-cycle timer for compressor protection.
- Crankcase heater for compressor protection in low ambient conditions.
- Freeze thermostat mounted to evaporator prevents coil freeze-up.
- Transformer (65VA) with re-settable circuit breaker.

DEPENDABLE WARRANTY

- Standard five (5) year limited warranty on the compressor.
- Standard one (1) limited warranty on all parts.

RESIDENTIAL AND COMMERCIAL SYSTEMS • SPLIT SYSTEMS • PACKAGED AIR CONDITIONERS
• COMBINATION GAS / ELECTRIC UNITS • HEAT PUMPS • AIR HANDLERS • MANUFACTURED
HOME AIR CONDITIONERS • GAS, OIL AND ELECTRIC FURNACES

513 11 1701 00

International Comfort Products
650 Heil-Quaker Avenue, Lewisburg, TN 37091

4/01

| UNIT SPECIFICATIONS | | | | | | |
|-------------------------------------|-------------------|-------------------|-------------------|-------------------|-------------------|-------------------|
| | MODELS | | | | | |
| Cooling | PAE036H00A | PAE036L00A | PAE048H00A | PAE048L00A | PAE060H00A | PAE060L00A |
| ARI Rated Capacity BTUH | 34,400 | 34,400 | 48,000 | 48,000 | 58,500 | 58,500 |
| SEER | 12.05 | 12.05 | 12.10 | 12.10 | 12.05 | 12.05 |
| Stages | 1 | 1 | 1 | 1 | 1 | 1 |
| Electrical | | | | | | |
| Volts - Phase - Hertz | 208/230-3-60 | 460-3-60 | 208/230-3-60 | 460-3-60 | 208/230-3-60 | 460-3-60 |
| Voltage Range Min. - Max | 187 - 253 | 414 - 506 | 187 - 253 | 414 - 506 | 187 - 253 | 414 - 506 |
| Total Unit Amps | 16.2 | 7.3 | 20.3 | 10.3 | 24.1 | 11.9 |
| Minimum Circuit Ampacity | 18.7 | 8.5 | 23.6 | 12.1 | 28.4 | 14.1 |
| Minimum Fuse Size | 25 | 15 | 30 | 15 | 35 | 20 |
| Max. Fuse / HACR Breaker Size | 25 | 15 | 35 | 15 | 45 | 20 |
| Compressor | | | | | | |
| Number of Independent Circuits | 1 | 1 | 1 | 1 | 1 | 1 |
| RLA | 10.26 | 5.13 | 13.46 | 7.37 | 17.31 | 8.97 |
| LRA | 77 | 39 | 120 | 49.5 | 123 | 62 |
| Type | SCROLL | SCROLL | SCROLL | SCROLL | SCROLL | SCROLL |
| Condenser Fan Data | | | | | | |
| Quantity | 1 | 1 | 1 | 1 | 1 | 1 |
| Volts - Phase - Hertz | 208/230-1-60/50 | 460-1-60/50 | 208/230-1-60 | 460-1-60 | 208/230-1-60 | 460-1-60 |
| FLA | 1.9 | 0.74 | 1.8 | 0.8 | 1.8 | 0.8 |
| LRA | 3.7 | 2.15 | 6.42 | 3.4 | 6.42 | 3.4 |
| Blades - Diameter - Pitch | 4 - 20 - 26 | 4 - 22 - 26 | 4 - 22 - 22 | 4 - 22 - 22 | 4 - 22 - 22 | 4 - 22 - 22 |
| HP- Rpm - Speeds | 1/3 - 1075 - 1 | 1/3 - 1100 - 1 | 1/2 - 1140 - 1 | 1/2 - 1140 - 1 | 1/2 - 1140 - 1 | 1/2 - 1140 - 1 |
| Bearing Type | SLEEVE | SLEEVE | SLEEVE | SLEEVE | SLEEVE | SLEEVE |
| Rotation (Shaft End) | CW | CW | CCW | CCW | CCW | CCW |
| WATTS | 246 | 246 | 295 | 295 | 356 | 356 |
| Nominal CFM | 3000 | 3000 | 3500 | 3500 | 3500 | 3500 |
| Condenser Coil | | | | | | |
| Rows - Fins per Inch | 2 - 20 | 2 - 20 | 2 - 20 | 2 - 20 | 2 - 20 | 2 - 20 |
| Total Face Area (FT. ²) | 11.30 | 11.30 | 16.78 | 16.78 | 16.78 | 16.78 |
| Tube Diameter - Type | 3/8" Smooth | 3/8" Smooth | 3/8" Smooth | 3/8" Smooth | 3/8" Smooth | 3/8" Smooth |
| Refrigerant | | | | | | |
| Type | R-22 | R-22 | R-22 | R-22 | R-22 | R-22 |
| Ounces | 122 | 122 | 215 | 215 | 215 | 215 |
| Expansion Device | TXV | TXV | TXV | TXV | TXV | TXV |
| Evaporator Coil | | | | | | |
| Rows - Fins per Inch | 4 - 15 | 4 - 15 | 4 - 14 | 4 - 14 | 4 - 14 | 4 - 14 |
| Total Face Area (FT. ²) | 3.57 | 3.57 | 8.24 | 8.24 | 8.24 | 8.24 |
| Tube Diameter - Type | 3/8" Rifled | 3/8" Rifled | 3/8" Rifled | 3/8" Rifled | 3/8" Rifled | 3/8" Rifled |

| UNIT SPECIFICATIONS | | | | | | |
|--|-------------------|-------------------|-------------------|-------------------|-------------------|-------------------|
| | MODELS | | | | | |
| Evaporator Fan | PAE036H00A | PAE036L00A | PAE048H00A | PAE048L00A | PAE060H00A | PAE060L00A |
| Quantity, Blowers / Motors | 1 | 1 | 1 | 1 | 1 | 1 |
| Volts - Phase - Hertz | 208/230-1-60 | 460-1-60 | 208/230-1-60 | 460-1-60 | 208/230-1-60 | 460-1-60 |
| FLA | 4 | 1.39 | 5.0 | 2.12 | 5 | 2.12 |
| LRA | 7.09 | 3.75 | 8.75 | 4.23 | 8.75 | 4.23 |
| Type Drive (Belt or Direct) | Direct | Direct | Direct | Direct | Direct | Direct |
| Housing Size | 10-8 | 10-8 | 11-11 | 11-11 | 11-11 | 11-11 |
| HP - RPM - Speeds | 1/2-1075-4 | 1/2-1075-4 | 1-1000-4 | 1-1000-4 | 1-1000-4 | 1-1000-4 |
| Bearing Type | SLEEVE | SLEEVE | SLEEVE | SLEEVE | SLEEVE | SLEEVE |
| Rotation | CCW | CCW | CCW | CCW | CCW | CCW |
| Total Watts | 560 | 560 | 717 | 717 | 819 | 819 |
| Total Standard CFM | 1200 | 1200 | 1650 | 1650 | 1800 | 1800 |
| Controls | | | | | | |
| Transformer VA | 65 | 65 | 65 | 65 | 65 | 65 |
| Compressor IPR Valve (psi) | 450 | 450 | 450 | 450 | 450 | 450 |
| High Press. Switch Auto Reset - Open - Close (psi) | 420 - 300 | 420 - 300 | 420 - 300 | 420 - 300 | 420 - 300 | 420 - 300 |
| Low Press. Switch Auto Reset - Open - Close (psi) | 5 - 20 | 5 - 20 | 5 - 20 | 5 - 20 | 5 - 20 | 5 - 20 |
| Compressor Anti Cycle Timer | n/a | n/a | n/a | n/a | n/a | n/a |
| Evaporator Freeze Thermostat Open - Close (F) | 30 - 50 | 30 - 50 | 30 - 50 | 30 - 50 | 30 - 50 | 30 - 50 |
| Misc. | | | | | | |
| Air Filter Size - Qty. | 18"x24"x2"-1 | 18"x24"x2"-1 | 20"x30"x2"-2 | 20"x30"x2"-2 | 20"x30"x2"-2 | 20"x30"x2"-2 |
| Unit Operating Weight | 472 | 472 | 492 | 492 | 515 | 515 |

EXPANDED PERFORMANCE DATA (COOLING) - 3 TON - GROSS DATA

| IDB* Airflow | | | Outdoor Ambient Temperature - Degrees F. Dry Bulb | | | | | | | | | | | | | | | | | | | | | | | |
|--------------|------|-----|---|------|------|------|------|------|------|------|------|------|------|------|------|------|------|------|------|------|------|------|------|------|------|------|
| | | | 65 | | | | 75 | | | | 85 | | | | 95 | | | | 105 | | | | 115 | | | |
| | | | Entering Indoor Temperature - Degrees F. Wet Bulb | | | | | | | | | | | | | | | | | | | | | | | |
| | | | 59 | 63 | 67 | 71 | 59 | 63 | 67 | 71 | 59 | 63 | 67 | 71 | 59 | 63 | 67 | 71 | 59 | 63 | 67 | 71 | 59 | 63 | 67 | 71 |
| 70 | 3450 | MBh | 35.6 | 36.9 | 40.4 | - | 34.7 | 36.0 | 39.5 | - | 33.9 | 35.2 | 38.5 | - | 33.1 | 34.3 | 37.6 | - | 31.4 | 32.6 | 35.7 | - | 29.1 | 30.2 | 33.1 | - |
| | | S/T | 0.77 | 0.65 | 0.45 | - | 0.80 | 0.67 | 0.46 | - | 0.82 | 0.69 | 0.48 | - | 0.85 | 0.71 | 0.49 | - | 0.88 | 0.74 | 0.51 | - | 0.89 | 0.74 | 0.51 | - |
| | | KW | 2.16 | 2.21 | 2.29 | - | 2.35 | 2.40 | 2.49 | - | 2.51 | 2.57 | 2.67 | - | 2.66 | 2.72 | 2.82 | - | 2.78 | 2.85 | 2.95 | - | 2.89 | 2.96 | 3.06 | - |
| | 3080 | MBh | 34.5 | 35.8 | 39.2 | - | 33.7 | 35.0 | 38.3 | - | 32.9 | 34.1 | 37.4 | - | 32.1 | 33.3 | 36.5 | - | 30.5 | 31.6 | 34.7 | - | 28.3 | 29.3 | 32.1 | - |
| | | S/T | 0.74 | 0.62 | 0.43 | - | 0.76 | 0.64 | 0.44 | - | 0.78 | 0.65 | 0.45 | - | 0.81 | 0.68 | 0.47 | - | 0.84 | 0.70 | 0.49 | - | 0.85 | 0.71 | 0.49 | - |
| | | KW | 2.14 | 2.19 | 2.27 | - | 2.33 | 2.38 | 2.47 | - | 2.49 | 2.55 | 2.64 | - | 2.63 | 2.70 | 2.79 | - | 2.76 | 2.82 | 2.92 | - | 2.86 | 2.93 | 3.04 | - |
| | 2940 | MBh | 34.2 | 35.4 | 38.8 | - | 33.4 | 34.6 | 37.9 | - | 32.6 | 33.8 | 37.0 | - | 31.8 | 33.0 | 36.1 | - | 30.2 | 31.3 | 34.3 | - | 28.0 | 29.0 | 31.8 | - |
| | | S/T | 0.73 | 0.61 | 0.42 | - | 0.76 | 0.63 | 0.44 | - | 0.78 | 0.65 | 0.45 | - | 0.80 | 0.67 | 0.46 | - | 0.83 | 0.69 | 0.48 | - | 0.84 | 0.70 | 0.48 | - |
| | | KW | 2.12 | 2.17 | 2.25 | - | 2.30 | 2.36 | 2.44 | - | 2.46 | 2.52 | 2.61 | - | 2.60 | 2.67 | 2.76 | - | 2.72 | 2.79 | 2.89 | - | 2.83 | 2.90 | 3.00 | - |
| 75 | 1344 | MBh | 36.2 | 37.2 | 40.3 | 43.3 | 35.3 | 36.4 | 39.4 | 42.3 | 34.5 | 35.5 | 38.4 | 41.3 | 33.7 | 34.6 | 37.5 | 40.2 | 32.0 | 32.9 | 35.6 | 38.2 | 29.6 | 30.5 | 33.0 | 35.4 |
| | | S/T | 0.88 | 0.79 | 0.60 | 0.38 | 0.91 | 0.81 | 0.62 | 0.40 | 0.93 | 0.84 | 0.63 | 0.41 | 0.96 | 0.86 | 0.65 | 0.42 | 1.00 | 0.90 | 0.68 | 0.44 | 1.00 | 0.90 | 0.68 | 0.44 |
| | | KW | 2.18 | 2.23 | 2.31 | 2.40 | 2.37 | 2.43 | 2.51 | 2.60 | 2.54 | 2.60 | 2.69 | 2.79 | 2.68 | 2.75 | 2.85 | 2.95 | 2.81 | 2.87 | 2.96 | 3.09 | 2.91 | 2.98 | 3.09 | 3.21 |
| | 1200 | MBh | 35.1 | 36.2 | 39.1 | 42.0 | 34.3 | 35.3 | 38.2 | 41.0 | 33.5 | 34.5 | 37.3 | 40.1 | 32.7 | 33.6 | 36.4 | 39.1 | 31.0 | 32.0 | 34.6 | 37.1 | 28.7 | 29.6 | 32.0 | 34.4 |
| | | S/T | 0.84 | 0.75 | 0.57 | 0.37 | 0.87 | 0.78 | 0.59 | 0.38 | 0.89 | 0.80 | 0.60 | 0.39 | 0.92 | 0.82 | 0.62 | 0.40 | 0.95 | 0.85 | 0.65 | 0.42 | 0.96 | 0.86 | 0.65 | 0.42 |
| | | KW | 2.16 | 2.21 | 2.29 | 2.37 | 2.35 | 2.41 | 2.49 | 2.58 | 2.51 | 2.57 | 2.67 | 2.76 | 2.66 | 2.72 | 2.82 | 2.92 | 2.78 | 2.85 | 2.95 | 3.06 | 2.89 | 2.96 | 3.06 | 3.18 |
| | 1056 | MBh | 33.4 | 34.4 | 37.2 | 39.9 | 32.6 | 33.6 | 36.3 | 39.0 | 31.8 | 32.8 | 35.5 | 38.1 | 31.0 | 32.0 | 34.6 | 37.1 | 29.5 | 30.4 | 32.9 | 35.3 | 27.3 | 28.1 | 30.4 | 32.7 |
| | | S/T | 0.80 | 0.72 | 0.54 | 0.35 | 0.83 | 0.74 | 0.56 | 0.36 | 0.85 | 0.76 | 0.58 | 0.37 | 0.88 | 0.79 | 0.60 | 0.38 | 0.91 | 0.82 | 0.62 | 0.40 | 0.92 | 0.82 | 0.62 | 0.40 |
| | | KW | 2.13 | 2.18 | 2.25 | 2.33 | 2.31 | 2.36 | 2.45 | 2.53 | 2.47 | 2.53 | 2.62 | 2.71 | 2.61 | 2.67 | 2.77 | 2.87 | 2.73 | 2.80 | 2.90 | 3.00 | 2.83 | 2.90 | 3.01 | 3.12 |
| 80 | 1344 | MBh | 36.8 | 37.6 | 40.2 | 43.0 | 36.0 | 36.7 | 39.3 | 42.0 | 35.1 | 35.9 | 38.3 | 41.0 | 34.2 | 35.0 | 37.4 | 40.0 | 32.5 | 33.2 | 35.5 | 38.0 | 30.1 | 30.8 | 32.9 | 35.2 |
| | | S/T | 0.96 | 0.90 | 0.74 | 0.55 | 1.00 | 0.94 | 0.76 | 0.57 | 1.00 | 0.96 | 0.78 | 0.58 | 1.00 | 1.00 | 0.81 | 0.60 | 1.00 | 1.00 | 0.84 | 0.63 | 1.00 | 1.00 | 0.84 | 0.63 |
| | | KW | 2.20 | 2.25 | 2.33 | 2.42 | 2.39 | 2.45 | 2.54 | 2.63 | 2.56 | 2.62 | 2.71 | 2.81 | 2.71 | 2.77 | 2.87 | 2.96 | 2.83 | 2.90 | 3.01 | 3.12 | 2.94 | 3.01 | 3.12 | 3.24 |
| | 1200 | MBh | 35.7 | 36.5 | 39.0 | 41.7 | 34.9 | 35.7 | 38.1 | 40.7 | 34.1 | 34.8 | 37.2 | 39.8 | 33.3 | 34.0 | 36.3 | 38.8 | 31.6 | 32.3 | 34.5 | 36.9 | 29.3 | 29.9 | 31.9 | 34.1 |
| | | S/T | 0.92 | 0.86 | 0.70 | 0.52 | 0.95 | 0.89 | 0.73 | 0.54 | 0.98 | 0.92 | 0.75 | 0.56 | 1.00 | 0.95 | 0.77 | 0.58 | 1.00 | 0.98 | 0.80 | 0.60 | 1.00 | 0.99 | 0.81 | 0.60 |
| | | KW | 2.18 | 2.23 | 2.31 | 2.40 | 2.37 | 2.43 | 2.51 | 2.60 | 2.54 | 2.60 | 2.69 | 2.79 | 2.68 | 2.75 | 2.85 | 2.95 | 2.81 | 2.87 | 2.98 | 3.09 | 2.91 | 2.98 | 3.09 | 3.21 |
| | 1056 | MBh | 34.0 | 34.7 | 37.1 | 39.6 | 33.2 | 33.9 | 36.2 | 38.7 | 32.4 | 33.1 | 35.3 | 37.8 | 31.6 | 32.3 | 34.5 | 36.9 | 30.0 | 30.7 | 32.8 | 35.0 | 27.8 | 28.4 | 30.3 | 32.4 |
| | | S/T | 0.88 | 0.83 | 0.67 | 0.50 | 0.91 | 0.86 | 0.70 | 0.52 | 0.94 | 0.88 | 0.71 | 0.53 | 0.97 | 0.91 | 0.74 | 0.55 | 1.00 | 0.94 | 0.77 | 0.57 | 1.01 | 0.95 | 0.77 | 0.58 |
| | | KW | 2.14 | 2.19 | 2.27 | 2.35 | 2.33 | 2.38 | 2.47 | 2.56 | 2.49 | 2.55 | 2.64 | 2.74 | 2.63 | 2.70 | 2.79 | 2.90 | 2.76 | 2.82 | 2.92 | 3.03 | 2.86 | 2.93 | 3.04 | 3.15 |
| 85 | 1344 | MBh | 37.5 | 38.2 | 40.0 | 42.7 | 36.6 | 37.3 | 39.1 | 41.7 | 35.7 | 36.4 | 38.1 | 40.7 | 34.8 | 35.5 | 37.2 | 39.7 | 33.1 | 33.7 | 35.3 | 37.7 | 30.7 | 31.3 | 32.7 | 34.9 |
| | | S/T | 1.00 | 0.98 | 0.88 | 0.71 | 1.00 | 1.00 | 0.91 | 0.74 | 1.00 | 1.00 | 0.94 | 0.76 | 1.00 | 1.00 | 0.97 | 0.78 | 1.00 | 1.00 | 1.00 | 0.81 | 1.00 | 1.00 | 1.00 | 0.82 |
| | | KW | 2.22 | 2.27 | 2.35 | 2.44 | 2.41 | 2.47 | 2.56 | 2.65 | 2.58 | 2.64 | 2.74 | 2.84 | 2.73 | 2.80 | 2.90 | 3.00 | 2.86 | 2.93 | 3.03 | 3.15 | 2.97 | 3.04 | 3.15 | 3.27 |
| | 1200 | MBh | 36.4 | 37.1 | 38.8 | 41.4 | 35.5 | 36.2 | 37.9 | 40.5 | 34.7 | 35.3 | 37.0 | 39.5 | 33.8 | 34.5 | 36.1 | 38.5 | 32.1 | 32.8 | 34.3 | 36.6 | 29.8 | 30.3 | 31.8 | 33.9 |
| | | S/T | 0.96 | 0.93 | 0.84 | 0.68 | 1.00 | 0.96 | 0.87 | 0.71 | 1.00 | 0.99 | 0.89 | 0.72 | 1.00 | 1.00 | 0.92 | 0.75 | 1.00 | 1.00 | 0.96 | 0.78 | 1.00 | 1.00 | 0.96 | 0.78 |
| | | KW | 2.20 | 2.25 | 2.33 | 2.42 | 2.39 | 2.45 | 2.54 | 2.63 | 2.56 | 2.62 | 2.71 | 2.81 | 2.71 | 2.77 | 2.87 | 2.98 | 2.83 | 2.90 | 3.01 | 3.12 | 2.94 | 3.01 | 3.12 | 3.24 |
| | 1056 | MBh | 34.6 | 35.2 | 36.9 | 39.4 | 33.7 | 34.4 | 36.0 | 38.4 | 32.9 | 33.6 | 35.2 | 37.5 | 32.1 | 32.8 | 34.3 | 36.6 | 30.5 | 31.1 | 32.6 | 34.8 | 28.3 | 28.8 | 30.2 | 32.2 |
| | | S/T | 0.92 | 0.89 | 0.80 | 0.65 | 0.96 | 0.92 | 0.83 | 0.68 | 0.98 | 0.95 | 0.85 | 0.69 | 1.00 | 0.98 | 0.88 | 0.72 | 1.00 | 1.00 | 0.92 | 0.74 | 1.00 | 1.00 | 0.92 | 0.75 |
| | | KW | 2.16 | 2.21 | 2.29 | 2.37 | 2.35 | 2.40 | 2.49 | 2.58 | 2.51 | 2.57 | 2.67 | 2.76 | 2.66 | 2.72 | 2.82 | 2.92 | 2.78 | 2.85 | 2.95 | 3.06 | 2.89 | 2.96 | 3.06 | 3.18 |

* Entering Indoor Temperature - Degrees F. Dry Bulb



Standard Rating

EXPANDED PERFORMANCE DATA (COOLING) - 4 TON - GROSS DATA

| IDB* | Airflow | Outdoor Ambient Temperature - Degrees F. Dry Bulb | | | | | | | | | | | | | | | | | | | | | | | | | |
|------|---------|---|------|------|------|------|------|------|------|------|------|------|------|------|------|------|------|------|------|------|------|------|------|------|------|------|------|
| | | 65 | | | | 75 | | | | 85 | | | | 95 | | | | 105 | | | | 115 | | | | | |
| | | Entering Indoor Temperature - Degrees F. Wet Bulb | | | | | | | | | | | | | | | | | | | | | | | | | |
| | | 59 | 63 | 67 | 71 | 59 | 63 | 67 | 71 | 59 | 63 | 67 | 71 | 59 | 63 | 67 | 71 | 59 | 63 | 67 | 71 | 59 | 63 | 67 | 71 | | |
| 70 | 3450 | MBh | 49.4 | 51.2 | 56.1 | - | 48.2 | 50.0 | 54.8 | - | 47.1 | 48.8 | 53.5 | - | 45.9 | 47.6 | 52.2 | - | 43.6 | 45.2 | 49.6 | - | 40.4 | 41.9 | 45.9 | - | |
| | | S/T | 0.78 | 0.65 | 0.45 | - | 0.81 | 0.68 | 0.47 | - | 0.83 | 0.70 | 0.48 | - | 0.86 | 0.72 | 0.50 | - | 0.89 | 0.74 | 0.52 | - | 0.90 | 0.75 | 0.52 | - | |
| | | KW | 3.06 | 3.13 | 3.25 | - | 3.33 | 3.41 | 3.53 | - | 3.56 | 3.65 | 3.78 | - | 3.77 | 3.87 | 4.01 | - | 3.95 | 4.05 | 4.20 | - | 4.10 | 4.20 | 4.36 | - | |
| | 3080 | MBh | 47.9 | 49.7 | 54.5 | - | 46.8 | 48.5 | 53.2 | - | 45.7 | 47.4 | 51.9 | - | 44.6 | 46.2 | 50.7 | - | 42.4 | 43.9 | 48.1 | - | 39.3 | 40.7 | 44.6 | - | |
| | | S/T | 0.75 | 0.62 | 0.43 | - | 0.77 | 0.65 | 0.45 | - | 0.79 | 0.66 | 0.46 | - | 0.82 | 0.68 | 0.47 | - | 0.85 | 0.71 | 0.49 | - | 0.86 | 0.72 | 0.50 | - | |
| | | KW | 3.03 | 3.11 | 3.22 | - | 3.30 | 3.38 | 3.50 | - | 3.53 | 3.62 | 3.75 | - | 3.74 | 3.83 | 3.97 | - | 3.91 | 4.01 | 4.16 | - | 4.07 | 4.17 | 4.32 | - | |
| | 2940 | MBh | 47.5 | 49.2 | 53.9 | - | 46.4 | 48.1 | 52.7 | - | 45.3 | 46.9 | 51.4 | - | 44.2 | 45.8 | 50.1 | - | 42.0 | 43.5 | 47.6 | - | 38.9 | 40.3 | 44.1 | - | |
| | | S/T | 0.74 | 0.62 | 0.43 | - | 0.77 | 0.64 | 0.44 | - | 0.79 | 0.66 | 0.45 | - | 0.81 | 0.68 | 0.47 | - | 0.84 | 0.70 | 0.49 | - | 0.85 | 0.71 | 0.49 | - | |
| | | KW | 3.00 | 3.07 | 3.18 | - | 3.26 | 3.34 | 3.46 | - | 3.49 | 3.58 | 3.70 | - | 3.69 | 3.78 | 3.92 | - | 3.87 | 3.96 | 4.11 | - | 4.02 | 4.12 | 4.27 | - | |
| 75 | 1848 | MBh | 50.2 | 51.7 | 56.0 | 60.1 | 49.1 | 50.5 | 54.7 | 58.7 | 47.9 | 49.3 | 53.4 | 57.3 | 46.7 | 48.1 | 52.1 | 55.9 | 44.4 | 45.7 | 49.5 | 53.1 | 41.1 | 42.3 | 45.8 | 49.2 | |
| | | S/T | 0.89 | 0.80 | 0.60 | 0.39 | 0.92 | 0.83 | 0.62 | 0.40 | 0.95 | 0.85 | 0.64 | 0.41 | 0.98 | 0.87 | 0.66 | 0.43 | 1.00 | 0.91 | 0.69 | 0.44 | 1.00 | 0.91 | 0.69 | 0.45 | |
| | | KW | 3.09 | 3.16 | 3.28 | 3.40 | 3.36 | 3.44 | 3.56 | 3.70 | 3.60 | 3.69 | 3.82 | 3.96 | 3.81 | 3.90 | 4.04 | 4.19 | 3.99 | 4.09 | 4.24 | 4.39 | 4.14 | 4.24 | 4.40 | 4.57 | |
| | 1650 | MBh | 48.8 | 50.2 | 54.3 | 58.3 | 47.6 | 49.0 | 53.1 | 57.0 | 46.5 | 47.9 | 51.8 | 55.6 | 45.4 | 46.7 | 50.6 | 54.3 | 43.1 | 44.4 | 48.0 | 51.5 | 39.9 | 41.1 | 44.5 | 47.7 | |
| | | S/T | 0.85 | 0.76 | 0.57 | 0.37 | 0.88 | 0.79 | 0.60 | 0.38 | 0.90 | 0.81 | 0.61 | 0.39 | 0.93 | 0.83 | 0.63 | 0.41 | 0.97 | 0.86 | 0.65 | 0.42 | 0.98 | 0.87 | 0.66 | 0.42 | |
| | | KW | 3.06 | 3.13 | 3.25 | 3.36 | 3.33 | 3.41 | 3.53 | 3.66 | 3.56 | 3.65 | 3.78 | 3.92 | 3.77 | 3.87 | 4.01 | 4.16 | 3.95 | 4.05 | 4.20 | 4.35 | 4.10 | 4.21 | 4.36 | 4.52 | |
| | 1452 | MBh | 46.3 | 47.7 | 51.6 | 55.4 | 45.2 | 46.6 | 50.4 | 54.1 | 44.2 | 45.5 | 49.2 | 52.8 | 43.1 | 44.4 | 48.0 | 51.5 | 40.9 | 42.1 | 45.6 | 49.0 | 37.9 | 39.0 | 42.3 | 45.4 | |
| | | S/T | 0.81 | 0.73 | 0.55 | 0.35 | 0.84 | 0.75 | 0.57 | 0.37 | 0.86 | 0.77 | 0.59 | 0.38 | 0.89 | 0.80 | 0.60 | 0.39 | 0.93 | 0.83 | 0.63 | 0.40 | 0.93 | 0.84 | 0.63 | 0.41 | |
| | | KW | 3.01 | 3.08 | 3.19 | 3.30 | 3.27 | 3.35 | 3.47 | 3.59 | 3.50 | 3.58 | 3.71 | 3.85 | 3.70 | 3.79 | 3.93 | 4.08 | 3.88 | 3.97 | 4.12 | 4.27 | 4.03 | 4.13 | 4.28 | 4.44 | |
| | 80 | 1848 | MBh | 51.1 | 52.2 | 55.8 | 59.7 | 49.9 | 51.0 | 54.5 | 58.3 | 48.7 | 49.8 | 53.2 | 56.9 | 47.6 | 48.6 | 51.9 | 55.5 | 45.2 | 46.2 | 49.3 | 52.7 | 41.8 | 42.8 | 45.7 | 48.8 |
| | | | S/T | 1.00 | 0.92 | 0.75 | 0.56 | 1.00 | 0.95 | 0.77 | 0.58 | 1.00 | 1.00 | 0.79 | 0.59 | 1.00 | 1.00 | 0.82 | 0.61 | 1.00 | 1.00 | 0.85 | 0.63 | 1.00 | 1.00 | 0.86 | 0.64 |
| | | | KW | 3.12 | 3.19 | 3.31 | 3.43 | 3.39 | 3.47 | 3.60 | 3.73 | 3.63 | 3.72 | 3.86 | 4.00 | 3.84 | 3.94 | 4.08 | 4.23 | 4.02 | 4.12 | 4.28 | 4.43 | 4.18 | 4.28 | 4.44 | 4.61 |
| 1650 | | MBh | 49.6 | 50.7 | 54.2 | 57.9 | 48.5 | 49.5 | 52.9 | 56.6 | 47.3 | 48.4 | 51.7 | 55.2 | 46.2 | 47.2 | 50.4 | 53.9 | 43.9 | 44.8 | 47.9 | 51.2 | 40.6 | 41.5 | 44.4 | 47.4 | |
| | | S/T | 0.93 | 0.87 | 0.71 | 0.53 | 0.97 | 0.91 | 0.74 | 0.55 | 0.99 | 0.93 | 0.76 | 0.56 | 1.00 | 0.96 | 0.78 | 0.58 | 1.00 | 0.99 | 0.81 | 0.61 | 1.00 | 1.00 | 0.82 | 0.61 | |
| | | KW | 3.09 | 3.16 | 3.28 | 3.40 | 3.36 | 3.44 | 3.57 | 3.70 | 3.60 | 3.69 | 3.82 | 3.96 | 3.81 | 3.90 | 4.05 | 4.20 | 3.99 | 4.09 | 4.24 | 4.39 | 4.14 | 4.25 | 4.40 | 4.57 | |
| 1452 | | MBh | 47.1 | 48.2 | 51.5 | 55.0 | 46.1 | 47.1 | 50.3 | 53.7 | 45.0 | 45.9 | 49.1 | 52.5 | 43.9 | 44.8 | 47.9 | 51.2 | 41.7 | 42.6 | 45.5 | 48.6 | 38.6 | 39.4 | 42.1 | 45.0 | |
| | | S/T | 0.89 | 0.84 | 0.68 | 0.51 | 0.92 | 0.87 | 0.71 | 0.53 | 0.95 | 0.89 | 0.72 | 0.54 | 0.98 | 0.92 | 0.75 | 0.56 | 1.02 | 0.95 | 0.78 | 0.58 | 1.02 | 0.96 | 0.78 | 0.58 | |
| | | KW | 3.03 | 3.11 | 3.22 | 3.33 | 3.30 | 3.38 | 3.50 | 3.63 | 3.53 | 3.62 | 3.75 | 3.89 | 3.74 | 3.83 | 3.97 | 4.12 | 3.91 | 4.01 | 4.16 | 4.31 | 4.07 | 4.17 | 4.32 | 4.48 | |
| 85 | 1848 | MBh | 52.0 | 53.0 | 55.5 | 59.2 | 50.8 | 51.8 | 54.2 | 57.9 | 49.6 | 50.6 | 52.9 | 56.5 | 48.4 | 49.3 | 51.7 | 55.1 | 46.0 | 46.9 | 49.1 | 52.4 | 42.6 | 43.4 | 45.5 | 48.5 | |
| | | S/T | 1.00 | 0.99 | 0.89 | 0.72 | 1.00 | 1.00 | 0.92 | 0.75 | 1.00 | 1.00 | 0.95 | 0.77 | 1.00 | 1.00 | 0.98 | 0.79 | 1.00 | 1.00 | 1.00 | 0.82 | 1.00 | 1.00 | 1.00 | 0.83 | |
| | | KW | 3.14 | 3.22 | 3.34 | 3.46 | 3.42 | 3.50 | 3.63 | 3.76 | 3.66 | 3.75 | 3.89 | 4.03 | 3.88 | 3.98 | 4.12 | 4.27 | 4.06 | 4.16 | 4.32 | 4.48 | 4.22 | 4.32 | 4.48 | 4.65 | |
| | 1650 | MBh | 50.5 | 51.5 | 53.9 | 57.5 | 49.3 | 50.3 | 52.7 | 56.2 | 48.1 | 49.1 | 51.4 | 54.8 | 47.0 | 47.9 | 50.1 | 53.5 | 44.6 | 45.5 | 47.6 | 50.8 | 41.3 | 42.1 | 44.1 | 47.1 | |
| | | S/T | 0.98 | 0.94 | 0.85 | 0.69 | 1.00 | 0.98 | 0.88 | 0.72 | 1.00 | 1.00 | 0.90 | 0.73 | 1.00 | 1.00 | 0.93 | 0.76 | 1.00 | 1.00 | 0.97 | 0.79 | 1.00 | 1.00 | 0.98 | 0.79 | |
| | | KW | 3.12 | 3.19 | 3.31 | 3.43 | 3.39 | 3.47 | 3.60 | 3.73 | 3.63 | 3.72 | 3.86 | 4.00 | 3.84 | 3.94 | 4.08 | 4.23 | 4.02 | 4.12 | 4.28 | 4.43 | 4.18 | 4.28 | 4.44 | 4.61 | |
| | 1452 | MBh | 48.0 | 48.9 | 51.2 | 54.6 | 46.9 | 47.8 | 50.0 | 53.4 | 45.7 | 46.6 | 48.8 | 52.1 | 44.6 | 45.5 | 47.6 | 50.8 | 42.4 | 43.2 | 45.3 | 48.3 | 39.3 | 40.0 | 41.9 | 44.7 | |
| | | S/T | 0.94 | 0.90 | 0.81 | 0.66 | 0.97 | 0.94 | 0.84 | 0.68 | 0.99 | 0.96 | 0.87 | 0.70 | 1.00 | 0.99 | 0.89 | 0.72 | 1.00 | 1.00 | 0.93 | 0.75 | 1.00 | 1.00 | 0.94 | 0.76 | |
| | | KW | 3.06 | 3.13 | 3.25 | 3.36 | 3.33 | 3.41 | 3.53 | 3.66 | 3.56 | 3.65 | 3.78 | 3.92 | 3.77 | 3.87 | 4.01 | 4.16 | 3.95 | 4.05 | 4.20 | 4.35 | 4.10 | 4.20 | 4.36 | 4.52 | |

* Entering Indoor Temperature - Degrees F. Dry Bulb



Standard Rating

EXPANDED PERFORMANCE DATA (COOLING) - 5 TON - GROSS DATA

| IDB* | Airflow | Outdoor Ambient Temperature - Degrees F. Dry Bulb | | | | | | | | | | | | | | | | | | | | | | | | | |
|------|---------|---|------|------|------|------|------|------|------|------|------|------|------|------|------|------|------|------|------|------|------|------|------|------|------|------|------|
| | | 65 | | | | 75 | | | | 85 | | | | 95 | | | | 105 | | | | 115 | | | | | |
| | | Entering Indoor Temperature - Degrees F. Wet Bulb | | | | | | | | | | | | | | | | | | | | | | | | | |
| | | 59 | 63 | 67 | 71 | 59 | 63 | 67 | 71 | 59 | 63 | 67 | 71 | 59 | 63 | 67 | 71 | 59 | 63 | 67 | 71 | 59 | 63 | 67 | 71 | | |
| 70 | 3450 | MBh | 60.1 | 62.3 | 68.2 | - | 58.7 | 60.8 | 66.6 | - | 57.3 | 59.4 | 65.0 | - | 55.9 | 57.9 | 63.5 | - | 53.1 | 55.0 | 60.3 | - | 49.2 | 51.0 | 55.8 | - | |
| | | S/T | 0.73 | 0.61 | 0.42 | - | 0.76 | 0.63 | 0.44 | - | 0.78 | 0.65 | 0.45 | - | 0.80 | 0.67 | 0.47 | - | 0.83 | 0.70 | 0.48 | - | 0.84 | 0.70 | 0.49 | - | |
| | | KW | 3.93 | 4.03 | 4.17 | - | 4.28 | 4.38 | 4.54 | - | 4.58 | 4.70 | 4.87 | - | 4.85 | 4.97 | 5.16 | - | 5.08 | 5.21 | 5.40 | - | 5.28 | 5.41 | 5.61 | - | |
| | 3080 | MBh | 58.3 | 60.4 | 66.2 | - | 57.0 | 59.0 | 64.7 | - | 55.6 | 57.6 | 63.1 | - | 54.3 | 56.2 | 61.6 | - | 51.5 | 53.4 | 58.5 | - | 47.7 | 49.5 | 54.2 | - | |
| | | S/T | 0.70 | 0.58 | 0.40 | - | 0.72 | 0.61 | 0.42 | - | 0.74 | 0.62 | 0.43 | - | 0.77 | 0.64 | 0.44 | - | 0.80 | 0.66 | 0.46 | - | 0.80 | 0.67 | 0.46 | - | |
| | | KW | 3.90 | 3.99 | 4.13 | - | 4.24 | 4.34 | 4.50 | - | 4.54 | 4.65 | 4.82 | - | 4.81 | 4.93 | 5.11 | - | 5.04 | 5.16 | 5.35 | - | 5.23 | 5.36 | 5.56 | - | |
| | 2940 | MBh | 57.7 | 59.8 | 65.6 | - | 56.4 | 58.5 | 64.0 | - | 55.1 | 57.1 | 62.5 | - | 53.7 | 55.7 | 61.0 | - | 51.0 | 52.9 | 57.9 | - | 47.3 | 49.0 | 53.7 | - | |
| | | S/T | 0.69 | 0.58 | 0.40 | - | 0.72 | 0.60 | 0.42 | - | 0.74 | 0.61 | 0.43 | - | 0.76 | 0.63 | 0.44 | - | 0.79 | 0.66 | 0.46 | - | 0.79 | 0.66 | 0.46 | - | |
| | | KW | 3.85 | 3.94 | 4.09 | - | 4.19 | 4.29 | 4.45 | - | 4.49 | 4.60 | 4.77 | - | 4.75 | 4.87 | 5.05 | - | 4.98 | 5.10 | 5.29 | - | 5.17 | 5.30 | 5.49 | - | |
| 75 | 2016 | MBh | 61.1 | 62.9 | 68.1 | 73.1 | 59.7 | 61.4 | 66.5 | 71.4 | 58.2 | 60.0 | 64.9 | 69.7 | 56.8 | 58.5 | 63.3 | 68.0 | 54.0 | 55.6 | 60.2 | 64.6 | 50.0 | 51.5 | 55.7 | 59.8 | |
| | | S/T | 0.83 | 0.75 | 0.56 | 0.36 | 0.86 | 0.77 | 0.58 | 0.38 | 0.89 | 0.79 | 0.60 | 0.39 | 0.91 | 0.82 | 0.62 | 0.40 | 0.95 | 0.85 | 0.64 | 0.41 | 0.96 | 0.86 | 0.65 | 0.42 | |
| | | KW | 3.97 | 4.06 | 4.21 | 4.37 | 4.32 | 4.42 | 4.58 | 4.75 | 4.63 | 4.74 | 4.91 | 5.10 | 4.90 | 5.02 | 5.21 | 5.40 | 5.13 | 5.26 | 5.45 | 5.66 | 5.33 | 5.46 | 5.67 | 5.88 | |
| | 1800 | MBh | 59.3 | 61.1 | 66.1 | 70.9 | 57.9 | 59.6 | 64.6 | 69.3 | 56.5 | 58.2 | 63.0 | 67.6 | 55.2 | 56.8 | 61.5 | 66.0 | 52.4 | 54.0 | 58.4 | 62.7 | 48.5 | 50.0 | 54.1 | 58.1 | |
| | | S/T | 0.79 | 0.71 | 0.54 | 0.35 | 0.82 | 0.74 | 0.56 | 0.36 | 0.84 | 0.76 | 0.57 | 0.37 | 0.87 | 0.78 | 0.59 | 0.38 | 0.90 | 0.81 | 0.61 | 0.39 | 0.91 | 0.82 | 0.62 | 0.40 | |
| | | KW | 3.93 | 4.03 | 4.17 | 4.33 | 4.28 | 4.38 | 4.54 | 4.71 | 4.59 | 4.70 | 4.87 | 5.05 | 4.86 | 4.98 | 5.16 | 5.35 | 5.08 | 5.21 | 5.40 | 5.60 | 5.28 | 5.41 | 5.61 | 5.82 | |
| | 1584 | MBh | 56.3 | 58.0 | 62.8 | 67.4 | 55.0 | 56.7 | 61.3 | 65.8 | 53.7 | 55.3 | 59.9 | 64.3 | 52.4 | 54.0 | 58.4 | 62.7 | 49.8 | 51.3 | 55.5 | 59.6 | 46.1 | 47.5 | 51.4 | 55.2 | |
| | | S/T | 0.76 | 0.68 | 0.52 | 0.33 | 0.79 | 0.71 | 0.53 | 0.34 | 0.81 | 0.72 | 0.55 | 0.35 | 0.84 | 0.75 | 0.57 | 0.36 | 0.87 | 0.78 | 0.59 | 0.38 | 0.87 | 0.78 | 0.59 | 0.38 | |
| | | KW | 3.86 | 3.95 | 4.10 | 4.25 | 4.20 | 4.30 | 4.46 | 4.62 | 4.50 | 4.61 | 4.78 | 4.96 | 4.77 | 4.88 | 5.06 | 5.25 | 4.99 | 5.11 | 5.30 | 5.50 | 5.18 | 5.31 | 5.51 | 5.71 | |
| | 80 | 2016 | MBh | 62.2 | 63.5 | 67.9 | 72.6 | 60.7 | 62.1 | 66.3 | 70.9 | 59.3 | 60.6 | 64.7 | 69.2 | 57.8 | 59.1 | 63.1 | 67.5 | 54.9 | 56.1 | 60.0 | 64.1 | 50.9 | 52.0 | 55.6 | 59.4 |
| | | | S/T | 0.91 | 0.86 | 0.70 | 0.52 | 0.95 | 0.89 | 0.72 | 0.54 | 1.00 | 0.91 | 0.74 | 0.55 | 1.00 | 0.94 | 0.77 | 0.57 | 1.00 | 1.00 | 0.79 | 0.59 | 1.00 | 1.00 | 0.80 | 0.60 |
| | | | KW | 4.00 | 4.10 | 4.25 | 4.41 | 4.36 | 4.47 | 4.63 | 4.80 | 4.67 | 4.79 | 4.96 | 5.14 | 4.95 | 5.07 | 5.25 | 5.45 | 5.18 | 5.31 | 5.50 | 5.71 | 5.38 | 5.52 | 5.72 | 5.93 |
| 1800 | | MBh | 60.4 | 61.7 | 65.9 | 70.4 | 59.0 | 60.2 | 64.4 | 68.8 | 57.6 | 58.8 | 62.8 | 67.2 | 56.2 | 57.4 | 61.3 | 65.5 | 53.3 | 54.5 | 58.2 | 62.3 | 49.4 | 50.5 | 53.9 | 57.7 | |
| | | S/T | 0.87 | 0.82 | 0.67 | 0.50 | 0.90 | 0.85 | 0.69 | 0.52 | 0.93 | 0.87 | 0.71 | 0.53 | 0.96 | 0.90 | 0.73 | 0.55 | 0.99 | 0.93 | 0.76 | 0.57 | 1.00 | 0.94 | 0.76 | 0.57 | |
| | | KW | 3.97 | 4.07 | 4.21 | 4.37 | 4.32 | 4.42 | 4.59 | 4.75 | 4.63 | 4.74 | 4.92 | 5.10 | 4.90 | 5.02 | 5.21 | 5.40 | 5.13 | 5.26 | 5.45 | 5.66 | 5.33 | 5.46 | 5.67 | 5.88 | |
| 1584 | | MBh | 57.3 | 58.6 | 62.6 | 66.9 | 56.0 | 57.2 | 61.1 | 65.4 | 54.7 | 55.9 | 59.7 | 63.8 | 53.3 | 54.5 | 58.2 | 62.3 | 50.7 | 51.8 | 55.3 | 59.1 | 46.9 | 48.0 | 51.2 | 54.8 | |
| | | S/T | 0.84 | 0.78 | 0.64 | 0.48 | 0.87 | 0.81 | 0.66 | 0.49 | 0.89 | 0.83 | 0.68 | 0.51 | 0.92 | 0.86 | 0.70 | 0.52 | 0.95 | 0.89 | 0.73 | 0.54 | 0.96 | 0.90 | 0.73 | 0.55 | |
| | | KW | 3.90 | 3.99 | 4.13 | 4.29 | 4.24 | 4.34 | 4.50 | 4.67 | 4.54 | 4.65 | 4.82 | 5.00 | 4.81 | 4.93 | 5.11 | 5.30 | 5.04 | 5.16 | 5.35 | 5.55 | 5.23 | 5.36 | 5.56 | 5.77 | |
| 85 | 2016 | MBh | 63.3 | 64.5 | 67.5 | 72.0 | 61.8 | 63.0 | 66.0 | 70.4 | 60.3 | 61.5 | 64.4 | 68.7 | 58.8 | 60.0 | 62.8 | 67.0 | 55.9 | 57.0 | 59.7 | 63.7 | 51.8 | 52.8 | 55.3 | 59.0 | |
| | | S/T | 0.96 | 0.92 | 0.83 | 0.68 | 0.99 | 0.96 | 0.86 | 0.70 | 1.00 | 0.98 | 0.89 | 0.72 | 1.00 | 1.00 | 0.92 | 0.74 | 1.00 | 1.00 | 0.95 | 0.77 | 1.00 | 1.00 | 0.96 | 0.78 | |
| | | KW | 4.04 | 4.14 | 4.29 | 4.45 | 4.40 | 4.51 | 4.67 | 4.84 | 4.71 | 4.83 | 5.01 | 5.19 | 4.99 | 5.12 | 5.30 | 5.50 | 5.23 | 5.36 | 5.56 | 5.76 | 5.43 | 5.57 | 5.77 | 5.99 | |
| | 1800 | MBh | 61.4 | 62.6 | 65.6 | 70.0 | 60.0 | 61.1 | 64.0 | 68.3 | 58.6 | 59.7 | 62.5 | 66.7 | 57.1 | 58.2 | 61.0 | 65.1 | 54.3 | 55.3 | 57.9 | 61.8 | 50.3 | 51.2 | 53.7 | 57.3 | |
| | | S/T | 0.91 | 0.88 | 0.80 | 0.65 | 0.95 | 0.91 | 0.82 | 0.67 | 0.97 | 0.94 | 0.85 | 0.69 | 1.00 | 0.97 | 0.87 | 0.71 | 1.00 | 1.00 | 0.91 | 0.74 | 1.00 | 1.00 | 0.91 | 0.74 | |
| | | KW | 4.00 | 4.10 | 4.25 | 4.41 | 4.36 | 4.47 | 4.63 | 4.80 | 4.67 | 4.79 | 4.96 | 5.14 | 4.95 | 5.07 | 5.25 | 5.45 | 5.18 | 5.31 | 5.50 | 5.71 | 5.38 | 5.52 | 5.72 | 5.93 | |
| | 1584 | MBh | 58.3 | 59.5 | 62.3 | 66.5 | 57.0 | 58.1 | 60.8 | 64.9 | 55.6 | 56.7 | 59.4 | 63.4 | 54.3 | 55.3 | 57.9 | 61.8 | 51.6 | 52.6 | 55.0 | 58.7 | 47.8 | 48.7 | 51.0 | 54.4 | |
| | | S/T | 0.88 | 0.84 | 0.76 | 0.62 | 0.91 | 0.88 | 0.79 | 0.64 | 0.93 | 0.90 | 0.81 | 0.66 | 0.96 | 0.93 | 0.84 | 0.68 | 1.00 | 0.96 | 0.87 | 0.70 | 1.00 | 0.97 | 0.88 | 0.71 | |
| | | KW | 3.93 | 4.03 | 4.17 | 4.33 | 4.28 | 4.38 | 4.54 | 4.71 | 4.58 | 4.70 | 4.87 | 5.05 | 4.85 | 4.97 | 5.16 | 5.35 | 5.08 | 5.21 | 5.40 | 5.60 | 5.28 | 5.41 | 5.61 | 5.82 | |

* Entering Indoor Temperature - Degrees F. Dry Bulb

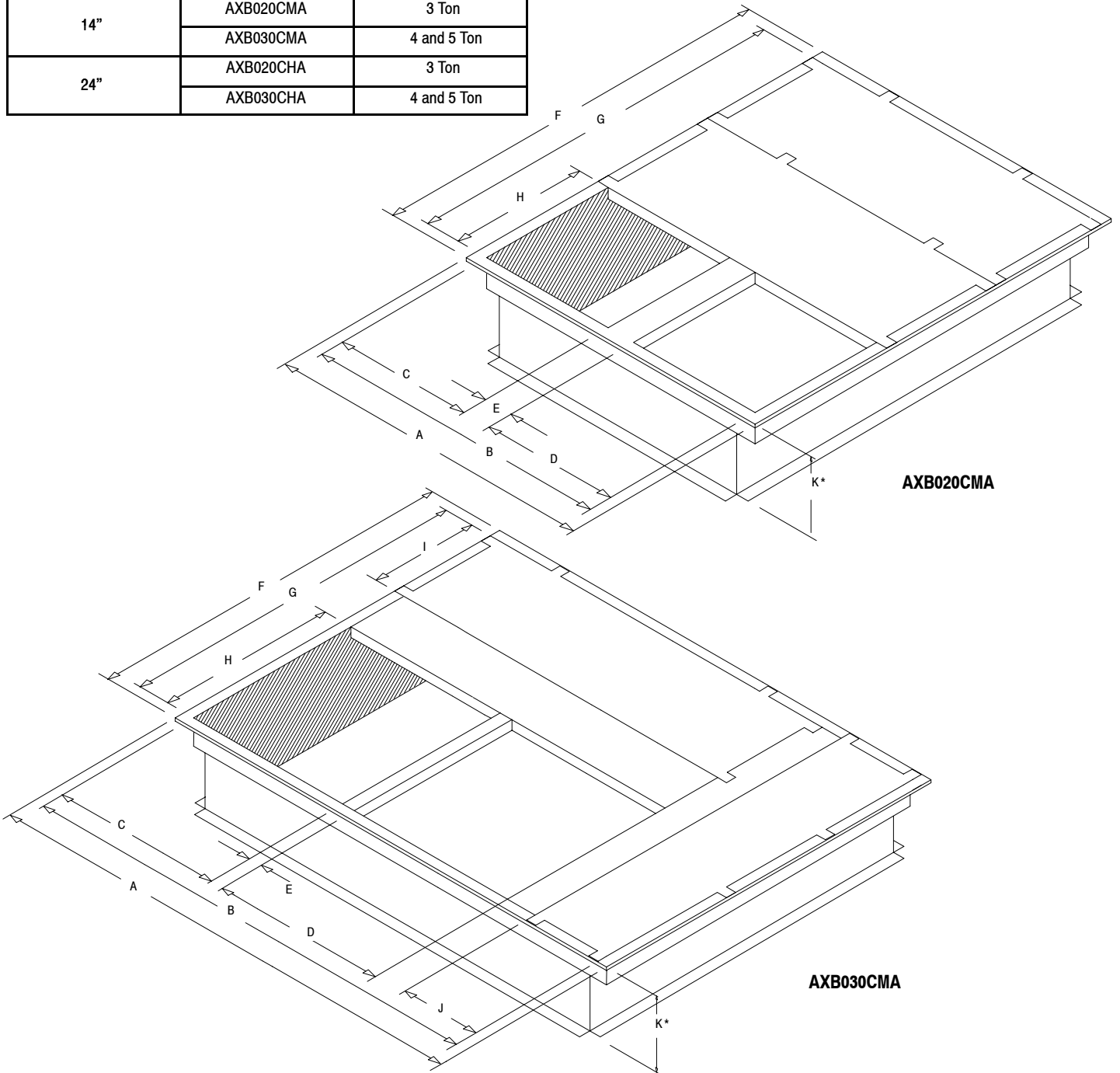


Standard Rating

ACCESSORIES: ROOF CURBS

These curbs are designed specifically for use with our single package air units. They are constructed of heavy gauge steel and designed for water-tight installation.

| Description | Mainline Model Number | Used on |
|-------------|-----------------------|-------------|
| 8" | AXB020CLA | 3 Ton |
| | AXB030CLA | 4 and 5 Ton |
| 14" | AXB020CMA | 3 Ton |
| | AXB030CMA | 4 and 5 Ton |
| 24" | AXB020CHA | 3 Ton |
| | AXB030CHA | 4 and 5 Ton |



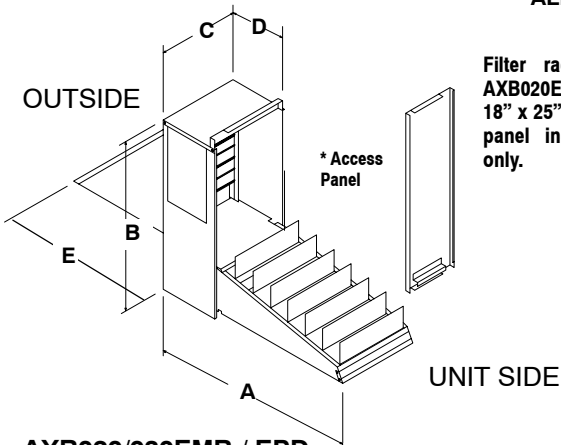
ROOF CURB DIMENSIONS (INCHES)

| Model No. | A | B | C | D | E | F | G | H | I | J | K(CLA) | K(CMA) | K(CHA) |
|-----------|--------|--------|----|----|-------|--------|--------|----|----|----|--------|--------|--------|
| AXB020 | 42-3/4 | 39-3/4 | 18 | 18 | 3-3/4 | 42-3/4 | 39-3/4 | 18 | - | - | 8 | 14 | 24 |
| AXB030 | 67-3/4 | 64-3/4 | 23 | 23 | 2-1/2 | 42-3/4 | 39-3/4 | 23 | 12 | 12 | 8 | 14 | 24 |

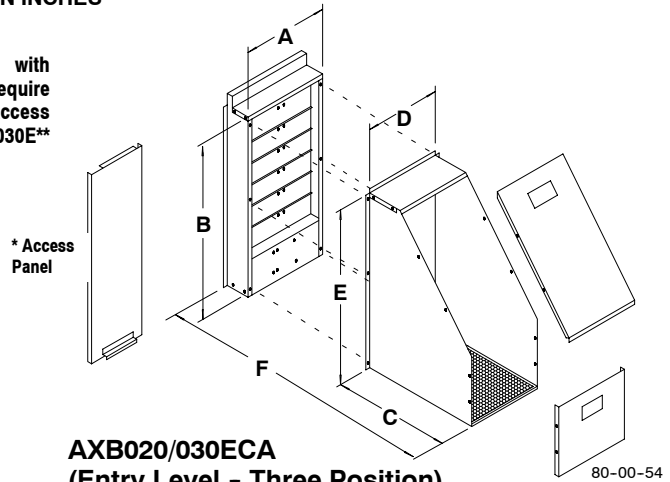
SPECIFICATIONS SUBJECT TO CHANGE WITHOUT NOTICE

ECONOMIZERS/DOWNFLOW

ALL DIMENSIONS IN INCHES



Filter racks are included with AXB020E**. Economizers require 18" x 25" x 1" or 2" filters. Access panel included with AXB030E** only.



AXB020/030ECA
(Entry Level - Three Position)

80-00-54

AXB020/030EMB / EPD
(Modulating or Three Position)

| Economizer Model No. | A | B | C | D | E |
|----------------------|----|--------|--------|--------|----|
| AXB020EMC/PD | 29 | 27-1/2 | 12-3/4 | 10-7/8 | 22 |
| AXB030EMC/PD | 35 | 31 | 14-3/4 | 10-7/8 | 22 |

| Economizer Model No. | A | B | C | D | E | G |
|----------------------|--------|--------|--------|----|--------|----|
| AXB020ECA | 12-3/4 | 27-1/2 | 20-1/4 | 11 | 28-1/2 | 24 |
| AXB030ECA | 14-3/4 | 31 | 20-1/4 | 13 | 30 | 24 |

| Description | Model Number | Used on |
|--------------------------------|--------------|---------|
| Fully Modulating (1) | AXB020EMC | 3 Ton |
| Three Position (2) | AXB020EPD | |
| Entry Level Three Position (3) | AXB020ECA | |

| Description | Model Number (4) | Used on |
|--------------------------------|------------------|-------------|
| Fully Modulating (1) | AXB030EMC | 4 and 5 Ton |
| Three Position (2) | AXB030EPD | |
| Entry Level Three Position (3) | AXB030ECA | |

NOTES:

- (1) - Ambient/Enthalpy Control; Includes Return Air Damper & Relief Damper.
- (3) - Ambient Control Only; No Return Air Damper; No Relief Damper.

- (2) - Ambient Control Only; Includes Return Air Damper & Relief Damper.
- (4) - On AXB030, Filters not supplied. Filter retainers and filters can be ordered thru Service Parts, retainer part number 1054517. Filters (20x30x2) part number 1054503.

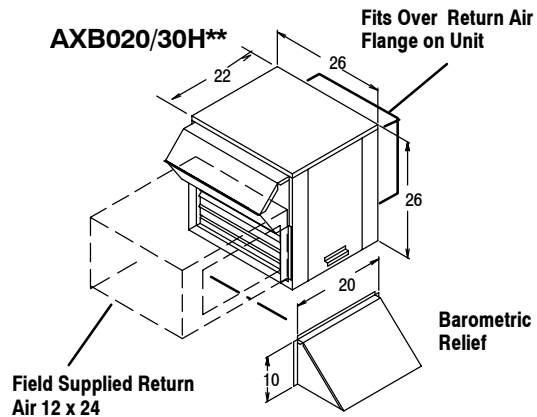
All Economizers Feature Enthalpy and/or ambient temperature control providing outdoor air ventilation and "free cooling" when outdoor conditions are favorable.

Return Air and Pressure Relief dampers for proper air balance, on most models.

Interconnecting wiring furnished.

Center controlled dual action dampers with gaskets to provide proper seal.

ECONOMIZERS/HORIZONTAL



| Description | Model Number | Used on |
|----------------------|--------------|---------|
| Fully Modulating (1) | AXB020HEC | 3 Ton |
| Three Position (2) | AXB020HPD | |

| Description | Model Number | Used on |
|----------------------|--------------|-------------|
| Fully Modulating (1) | AXB030HEC | 4 and 5 Ton |
| Three Position (2) | AXB030HPD | |

NOTES:

- (1) - Ambient/Enthalpy Control; Includes Return Air Damper & Relief Damper.
- (2) - Ambient Control Only; Includes Return Air Damper & Relief Damper.

ACCESSORIES (CONT...)

OUTDOOR AIR DAMPERS

| Description | Model Number | Used on |
|-----------------|--------------|-------------|
| Manual - 25% | AXB020FAC | 3 TON |
| | AXB030FAC | 4 and 5 TON |
| Motorized - 25% | AXB020FMC | 3 TON |
| | AXB030FMC | 4 and 5 TON |

COIL PROTECTION

| Description | Service Parts Number * | Used on |
|-------------|------------------------|-------------|
| Coil Guard | 1149485 | 3 TON |
| | 1149486 | 4 and 5 TON |
| Hail Guard | 1068133 | 3 TON |
| | 1068134 | 4 and 5 TON |

* Available through Service Parts only.

FILTER RACK - must use with 3 ton, for horizontal duct applications only.

| Description | Model Number | Used on |
|--------------|--------------|---------|
| * Horizontal | AXB020FHC | 3 TON |

* Requires 1 field supplied 18 x 25" filter.

CONCENTRIC DUCT KITS

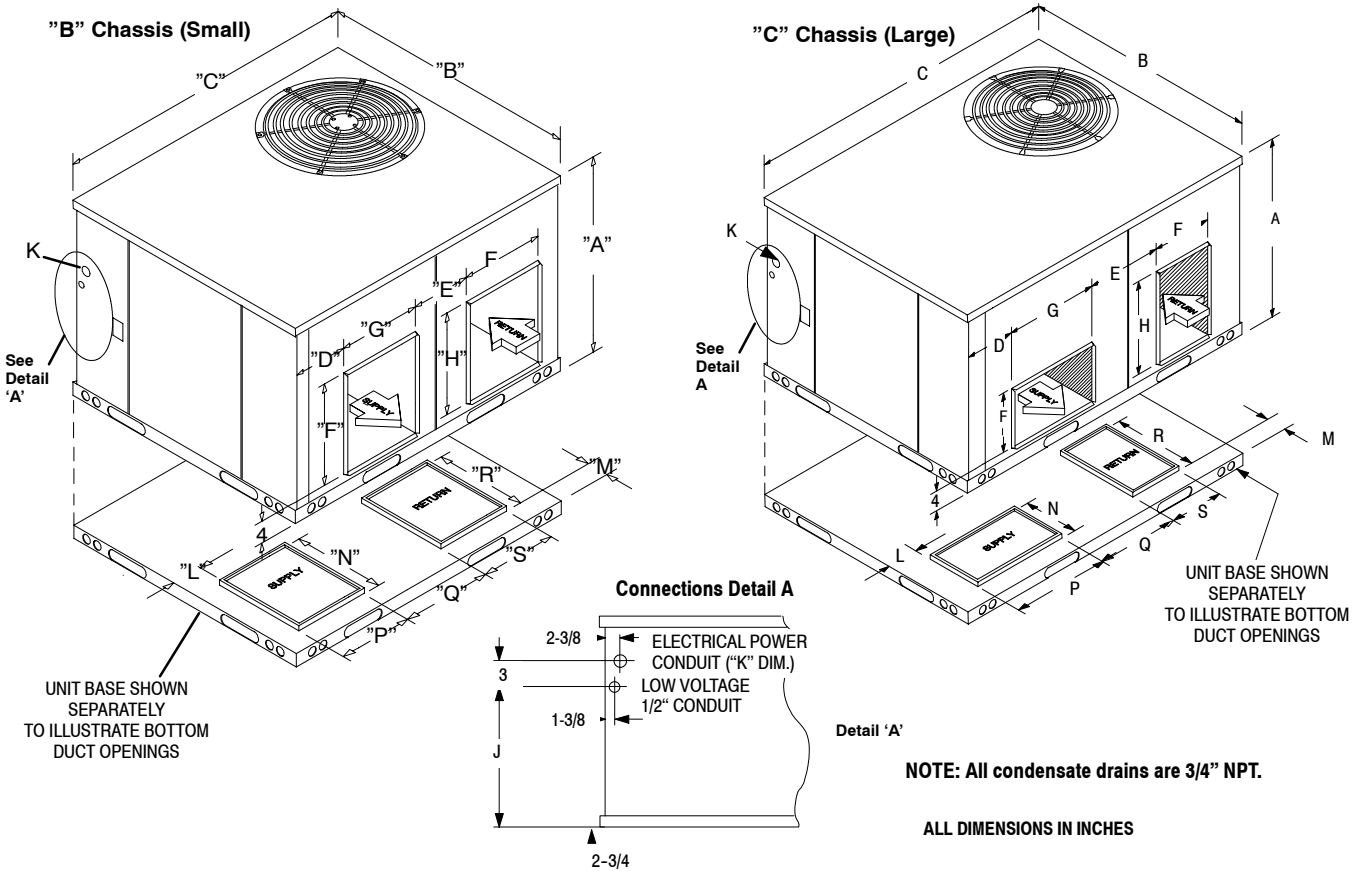
| Description | Mainline Model Number | Used on |
|-----------------------|-----------------------|-------------|
| Transition | AXB020CTA | 3 TON |
| | AXB030CTA | 4 and 5 TON |
| Grille, Flush Mount * | AXB020CFA | 3 TON |
| | AXB030CFA | 4 and 5 TON |
| Grille, Step Down * | AXB020CSA | 3 TON |
| | AXB030CFA | 4 and 5 TON |

* Includes grille and diffuser / transition box.

ELECTRICAL DATA - ELECTRIC HEATING ACCESSORY

| Heater Model # | Use With | Supply Voltage (Volts-Phase-Hz) | Nominal Btu/h | 1st / 2nd Stage kW Rating | Supply Circuit Number | Heater Amps | Minimum Circuit Ampacity | Max. Fuse or NEC HACR Breaker (Amps) |
|----------------|----------------|---------------------------------|---------------|---------------------------|-----------------------|--------------|--------------------------|--------------------------------------|
| AEB010CHA | 3 to 6-1/3 Ton | 240-3-60 | 34,130 | 10.0 | L4-L5-L6 | 24.1 | 30.1 | 35 |
| | | 208-3-60 | 25,598 | 7.5 | L4-L5-L6 | 20.8 | 26.1 | 30 |
| AEB015CHA | 3 to 6-1/3 Ton | 240-3-60 | 51,195 | 15.0 | L4-L5-L6 | 36.1 | 45.2 | 50 |
| | | 208-3-60 | 38,567 | 11.3 | L4-L5-L6 | 31.4 | 39.3 | 40 |
| AEB020CHA | 3 to 6-1/3 Ton | 240-3-60 | 68,260 | 10.0 / 20.0 | L4-L5-L6 L7-L8-L9 | 24.1 24.1 | 30.1 30.1 | 35 35 |
| | | | 51,195 | 15.0 | L4-L5-L6 L7-L8-L9 | 20.8 20.8 | 26.1 26.1 | 30 30 |
| | | 208-3-60 | 85,325 | 12.5 / 25.0 | L4-L5-L6 L7-L8-L9 | 30.1 30.1 | 37.6 37.6 | 40 40 |
| | | | 64,164 | 9.4 / 18.8 | L4-L5-L6 L7-L8-L9 | 26.1 26.1 | 32.7 32.7 | 35 35 |
| AEB025CHA | 4 to 6-1/3 Ton | 240-3-60 | 85,325 | 12.5 / 25.0 | L4-L5-L6 L7-L8-L9 | 30.1 30.1 | 37.6 37.6 | 40 40 |
| | | | 64,164 | 9.4 / 18.8 | L4-L5-L6 L7-L8-L9 | 26.1 26.1 | 32.7 32.7 | 35 35 |
| | | 208-3-60 | 102,390 | 15.0 / 30.0 | L4-L5-L6 L7-L8-L9 | 36.1 36.1 | 45.2 45.2 | 50 50 |
| | | | 76,793 | 11.25 / 22.5 | L4-L5-L6 L7-L8-L9 | 31.4 31.4 | 39.3 39.3 | 40 40 |
| AEB030CHA | 4 to 6-1/3 Ton | 240-3-60 | 102,390 | 15.0 / 30.0 | L4-L5-L6 L7-L8-L9 | 36.1 | 45.2 | 50 |
| AEB010CLA | 3 to 6-1/3 Ton | 480-3-60 | 34,130 | 10.0 | L4-L5-L6 | 12.0 | 15.0 | 15 |
| AEB015CLA | 3 to 6-1/3 Ton | 480-3-60 | 51,195 | 15.0 | L4-L5-L6 | 18.1 | 22.6 | 25 |
| AEB020CLA | 3 to 6-1/3 Ton | 480-3-60 | 68,260 | 10.0 / 20.0 | L4-L5-L6 | 12.0 | 15.0 | 15 |
| | | | | | L7-L8-L9 | 12.0 | 15.0 | 15 |
| AEB025CLA | 4 to 6-1/3 Ton | 480-3-60 | 85,325 | 12.5 / 25.0 | L4-L5-L6 | 15.1 | 18.8 | 20 |
| | | | | | L7-L8-L9 | 15.1 | 18.8 | 20 |
| AEB030CLA | 4 to 6-1/3 Ton | 480-3-60 | 102,390 | 15.0 / 30.0 | L4-L5-L6 | 18.1 | 22.6 | 25 |
| | | | | | L7-L8-L9 | 18.1 | 22.6 | 25 |
| AEB010CSA | 3 to 6-1/3 Ton | 600-3-60 | 34,130 | 10.0 | L4-L5-L6 | 9.6 | 12.0 | 15 |
| AEB015CSA | 3 to 6-1/3 Ton | 600-3-60 | 51,195 | 15.0 | L4-L5-L6 | 14.5 | 18.1 | 20 |
| AEB020CSA | 3 to 6-1/3 Ton | 600-3-60 | 68,260 | 10.0 / 20.0 | L4-L5-L6 | 9.6 | 12.0 | 15 |
| | | | | | L7-L8-L9 | 9.6 | 12.0 | 15 |
| AEB025CSA | 4 to 6-1/3 Ton | 600-3-60 | 85,325 | 12.5 / 25.0 | L4-L5-L6 | 12.1 | 15.1 | 20 |
| | | | | | L7-L8-L9 | 12.1 | 15.1 | 20 |
| AEB030CSA | 4 to 6-1/3 Ton | 600-3-60 | 102,390 | 15.0 / 30.0 | L4-L5-L6 | 14.5 | 18.1 | 25 |
| | | | | | L7-L8-L9 | 14.5 | 18.1 | 25 |

UNIT DIMENSIONS



| Model No. | A | B | C | D | E | F | G | H | J | K | L | M | N** | P** | Q | R | S | Inside Base Rail |
|-------------|--------|--------|--------|-------|--------|----|--------|--------|--------|-----------|-------|-------|--------|--------|--------|--------|--------|------------------|
| 3 Ton | 32-1/2 | 47-3/8 | 47-3/8 | 3-1/8 | 11-1/8 | 12 | 14-1/4 | 14-1/4 | 21-1/2 | 3/4 - 1 | 4-1/4 | 4-3/8 | 14-1/2 | 12-1/4 | 12-1/8 | 14-1/4 | 12-1/4 | 43-1/8 x 43-1/8 |
| 4 and 5 Ton | 36 | 47-3/8 | 73 | 4-5/8 | 15 | 12 | 18-3/4 | 18-3/4 | 25-1/2 | 1 - 1-1/4 | 4-1/4 | 5-1/4 | 12-1/4 | 19 | 15 | 19 | 12-1/4 | 68-3/4 x 43-1/8 |

* NOTE: The base rail width is 2-1/8 inches, all around base of unit.

MODEL NUMBER IDENTIFICATION GUIDE

| | | | | | | | | |
|-----------------------------|----------|----------|----------|------------|----------|-----------|----------|--|
| MODEL NUMBER | P | A | E | 036 | L | 00 | A | Sales Code |
| P = Single Package | | | | | | | | Options |
| A = Air Conditioning | | | | | | | | ELECTRICAL CHARACTERISTICS |
| Design Series | | | | | | | | H = 208 / 230-3-60 L = 460-3-60 |
| | | | | | | | | COOLING CAPACITY (NOMINAL BTUH) |
| | | | | | | | | 036 = 3 Ton |
| | | | | | | | | 048 = 4 Ton 060 = 5 Ton |

SPECIFICATIONS SUBJECT TO CHANGE WITHOUT NOTICE

GUIDE SPECIFICATIONS

CABINET

The cabinet is made of G-90 galvanized steel, phosphate coated with a tough acrylic finish coat for long lasting weatherproof construction. The base rails are 18 gauge steel with fork lift slots and holes provided for lifting shackles. The unit is designed with convertible airflow for either horizontal or downflow applications with conversion accomplished by relocating two panels. Indoor blower compartment interior cabinet surfaces are insulated with a minimum 3/4" thick, flexible glass insulation, coated on the air side.

COOLING SECTION

The unit is factory charged and operationally ready upon delivery. The unit refrigerant circuit has a high efficiency scroll compressor with internal overload protection, and copper tube / aluminum fin evaporator and condenser coils. The unit is designed for cooling operation to 40° F and will be capable of being wired for field installed economizer type accessories.

COILS

The evaporator and condenser coils are fabricated with aluminum fins mechanically bonded to copper tubing. Both coils are pressure tested prior to assembly into the unit and electronically leak tested after assembly into the unit.

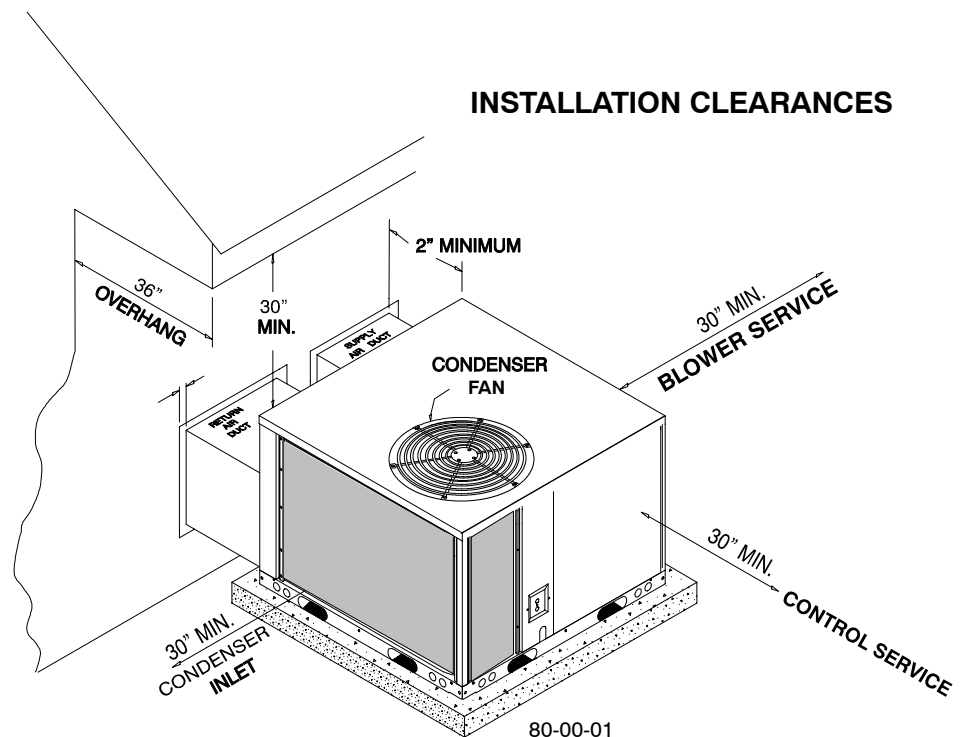
CONDENSER FAN

The unit has a single direct-drive propeller-fan / motor assembly. The assembly is mounted directly to a vertical-discharge grille that is easily removed for service.

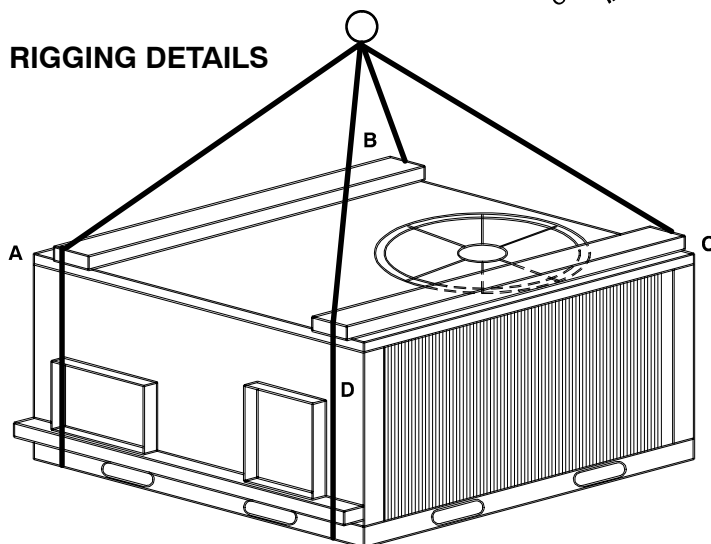
EVAPORATOR BLOWER

All units have a direct-drive evaporator blower motor as a standard. The direct-drive evaporator blower motor has sleeve bearings and internal overload protection.

INSTALLATION CLEARANCES



RIGGING DETAILS



CORNER WEIGHTS (LBS)

| MODEL | A | B | C | D | OPERATING WEIGHT TOTAL |
|------------|-----|-----|-----|-----|------------------------|
| PAE036H00A | 98 | 122 | 141 | 111 | 472 |
| PAE036L00A | 98 | 122 | 141 | 111 | 472 |
| PAE048H00A | 102 | 128 | 148 | 115 | 492 |
| PAE048L00A | 102 | 128 | 148 | 115 | 492 |
| PAE060H00A | 107 | 134 | 154 | 121 | 515 |
| PAE060L00A | 107 | 134 | 154 | 121 | 515 |