

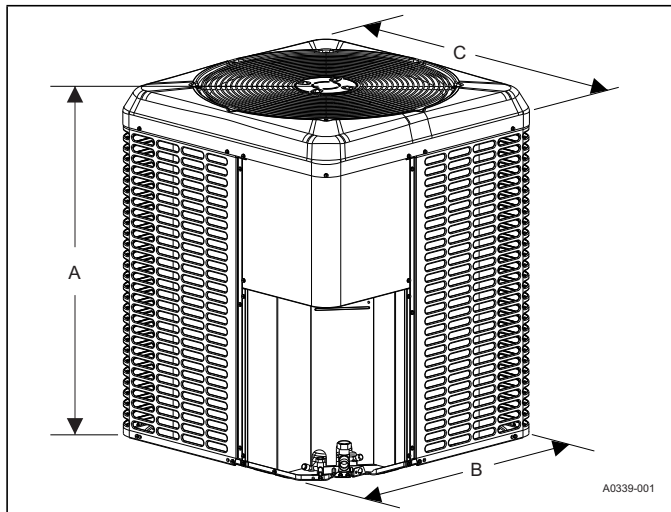
# TABULAR DATA SHEET

## GAW SERIES SPLIT SYSTEM AIR CONDITIONERS 14.0 SEER – R-407C – 1 PHASE – 1.5 THRU 5 NOMINAL TONS MODELS: GAW14L18 THRU 60

### PHYSICAL AND ELECTRICAL DATA

MODEL		GAW14L18 C23S	GAW14L24 C23S	GAW14L30 C23S	GAW14L36 C23S	GAW14L42 C23S	GAW14L48 C23S	GAW14L60 C23S
Unit Supply Voltage		208-230V, 1 $\phi$ , 60Hz						
Normal Voltage Range <sup>1</sup>		187 to 252						
Minimum Circuit Ampacity		11.2	14.2	17.6	18.9	22.1	26.1	28.5
Max. Overcurrent Device Amps <sup>2</sup>		15	25	30	30	35	45	50
Min. Overcurrent Device Amps <sup>3</sup>		15	15	20	20	25	30	30
Compressor Amps	Type <sup>4</sup>	Scroll	Scroll	Scroll	Scroll	Scroll	Scroll	Scroll
	Rated Load	8.3	10.8	13.4	14.1	16.6	19.8	21.8
	Locked Rotor	40.3	56.0	68.0	75.0	88.0	104.0	137.0
Crankcase Heater		No	No	No	No	No	No	No
Factory External Discharge Muffler		No	No	No	No	No	No	No
Factory External Check Valve		No	No	No	No	No	No	No
HS Kit Required with TXV		No	No	No	No	No	No	No
HS Kit Part Number (S1-2SA067*****) <sup>5</sup>		10106	10106	10106	10106	10106	10106	10106
Fan Diameter Inches		22	22	22	24	24	26	26
Fan Motor	Rated HP	1/8	1/8	1/8	1/4	1/4	1/4	1/4
	Rated Load Amps	0.80	0.80	0.80	1.3	1.3	1.3	1.3
	Nominal RPM	1075	1075	1075	850	850	850	850
	Nominal CFM	3000	3000	3100	3500	3500	3800	3900
Coil	Face Area Sq. Ft.	15.22	15.22	19.11	20.57	20.57	25.65	30.11
	Rows Deep	1	1	1	1	1	1	1
	Fins / Inch	23	23	23	23	23	23	23
Liquid Line Set OD (Field Installed)		3/8	3/8	3/8	3/8	3/8	3/8	3/8
Vapor Line Set OD (Field Installed) <sup>6</sup>		3/4	3/4	3/4	3/4	7/8	7/8	1-1/8 <sup>‡</sup>
Unit Charge (Lbs. - Oz.)		1 - 0	1 - 0	1 - 0	1 - 0	1 - 0	1 - 0	1 - 0
Charge Per Foot, Oz.		.63	.63	.63	.63	.65	.65	.70
Operating Weight Lbs.		135	135	150	195	195	200	210

1. Rated in accordance with AHRI Standard 110-2012, utilization range "A".
2. Dual element fuses or HACR circuit breaker. Maximum allowable overcurrent protection.
3. Dual element fuses or HACR circuit breaker. Minimum recommended overcurrent protection.
4. GAW models feature compressors containing POE oil.
5. Use S1-2SA067\*\*\*\* series kit. See Hard Start Kit Accessory Installation Manual.
6. For applications with non-standard vapor line sizes, see the "Applications & Accessories" section of this Technical Guide.



### DIMENSIONS

Unit Model	Dimensions (Inches)			Refrigerant Connection Service Valve Size	
	A	B	C	Liquid	Vapor
GAW14L18C23S	30	29-1/4	29-1/4	3/8	3/4
GAW14L24C23S	30	29-1/4	29-1/4		
GAW14L30C23S	36-1/4	29-1/4	29-1/4		
GAW14L36C23S	33-1/4	35-1/4	31-3/4	7/8	7/8
GAW14L42C23S	33-1/4	35-1/4	31-3/4		
GAW14L48C23S	39-1/2	38	34-1/4	7/8 <sup>‡</sup>	7/8 <sup>‡</sup>
GAW14L60C23S	42-3/4	38	34-1/4		

<sup>‡</sup> Adapter fitting must be field installed for the required 1-1/8" line set.  
All dimensions are in inches and are subject to change without notice.  
Overall height is from bottom of base pan to top of fan guard.  
Overall length and width include screw heads.

## SYSTEM CHARGE FOR VARIOUS MATCHED SYSTEMS

Outdoor Unit	GAW14L18C23S	GAW14L24C23S	GAW14L30C23S	GAW14L36C23S	GAW14L42C23S	GAW14L48C23S	GAW14L60C23S
Required TXV <sup>1,2</sup>	2A1	2A1	2A1	2A1	2C1	2C1	2C1
Indoor Unit <sup>3,4,5</sup>	Starting Charge, lb-oz						
FC1CXT1	1- 12	-	-	-	-	-	-
FC3DXT1	-	2 - 2	2 - 8	2 - 8	2 - 0	-	-
FC5DXT1	-	-	-	-	-	3 - 5	3 - 12
Some of the combinations shown in the above System Charge table require Advanced Main Air Circulating Fan indoor product. For approved coil only matches, please see the "COOLING CAPACITY - Upflow, Downflow & Horizontal Furnaces and Coils" table.							

### FOOTNOTES:

1. For applications requiring a TXV, use S1-1TVM\*\*\* series kit.
2. A TXV kit must be used with these indoor units to obtain system performance.
3. Systems matched with furnaces or air handlers not equipped with blower-off delays may require 60 second time delay.
4. FC coils cannot be used in horizontal applications.
5. Charge adders shown above do not indicate that coils are rated for every application. Refer to Performance Data Tables for actual performance for specified system matches. Obtain certified system ratings from [www.ahridirectory.org](http://www.ahridirectory.org).

### PROCEDURES:

1. Verify the TXV and additional charge required for specific matched indoor unit in the system using the above table.
2. Charge per the instructions in the Installation Manual.