



The new degree of comfort.®

## Classic® Series Package Heat Pump



### RQPL

Nominal Sizes: 2 to 4 Tons [7.03 to 14.07 kW]

14 SEER Series



*\* Proper sizing and installation of equipment is critical to achieve optimal performance. Split system air conditioners and heat pumps must be matched with appropriate coil components to meet Energy Star. Ask your Contractor for details or visit [www.energystar.gov](http://www.energystar.gov).*

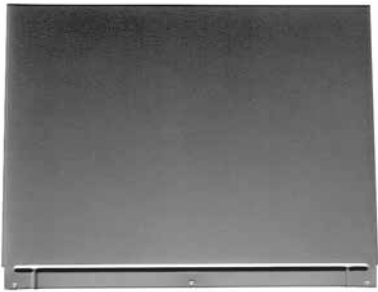
## Table of Contents

Features & Benefits .....	3-4
Model Number Identification .....	5
Available SKUs .....	5
Options .....	6
General Data.....	7-9
General Data Notes .....	10
Gross Systems Performance Data .....	11-19
Indoor Airflow Performance.....	20-21
Electrical Data.....	22
Electric Heater Kits.....	23-25
Dimensional Data .....	26-27
Typical Installations .....	28
Accessories .....	29-36
Limited Warranty.....	40

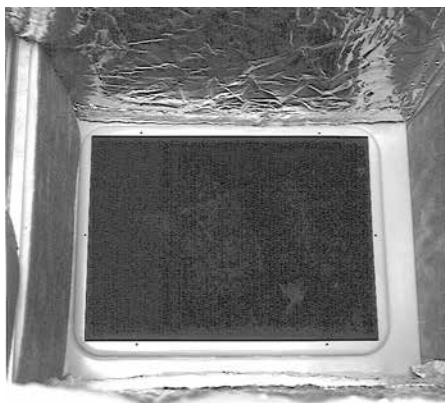
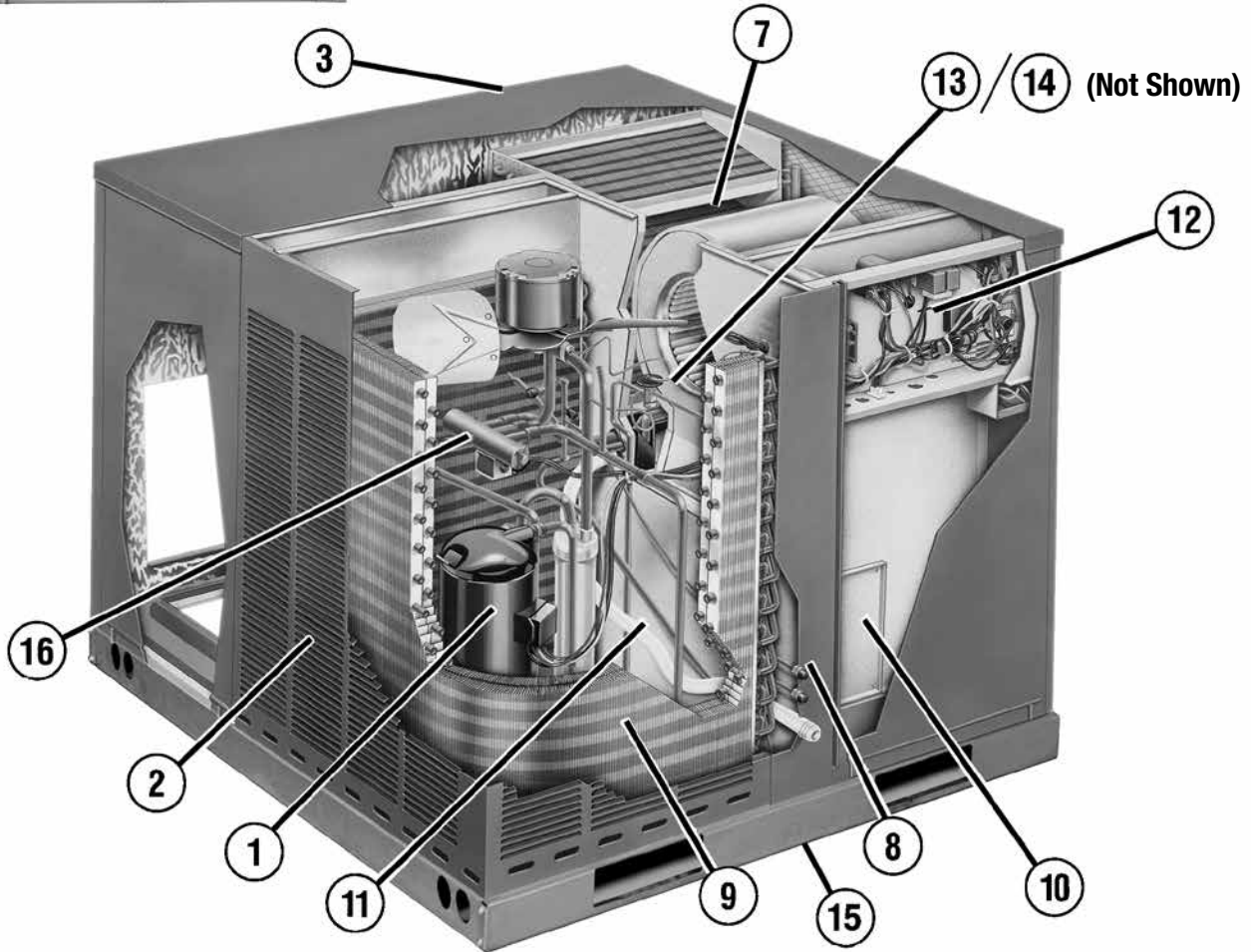
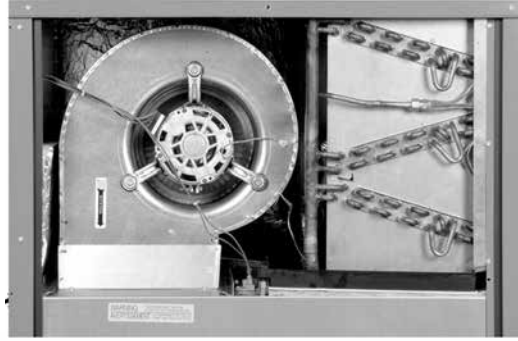
## Features and Benefits

- **Scroll compressor** – for maximum efficiency and quiet operation.
- **Louvered condenser compartment** – (2) protects the coil against yard hazards.
- **One-piece top with drip flange** – (3) helps to keep water out of the unit.
- **Supply and return air openings** – (4) feature a one-inch tall flange to prevent water migration into the ductwork.
- **Access panels have “weep holes” and channels** – (5) to further manage water run-off.
- **Side and down discharge options** – available on all models (Shipped horizontal flow standard).
- **Easily accessible blower section** – (7) features a slide-out blower.
- **Conveniently located refrigerant connections** – (8) for easy service diagnostics. Low pressure/loss of charge protection is standard on all models.
- **Condenser and evaporator coils** – (9) feature enhanced fins for better heat transfer and rifled copper tubing for greater efficiency.
- **Supplemental electric heat strips** – (10) up to 15 kW are available (field or factory installed) for periods of extreme cold temperatures. Single point wiring simplifies installation.
- **Easily accessible control box** (12).
- **Thermal expansion valve** – (13) is standard on all models and provides superior superheat control, reliability, and energy efficiency at all operating conditions.
- **Filter Drier** – is standard on all models.
- **Rugged baserail** – (15) included for improved installation and handling.
- **Reversing valve directs flow of refrigerant** – and reverses the refrigerant flow when heating is required.

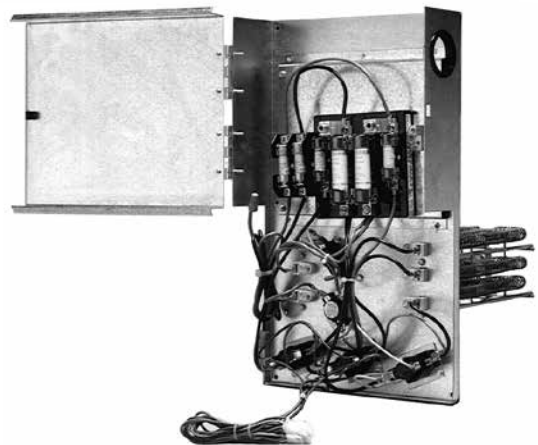
# Package Heat Pump Features:



5



4



<u>R</u>	<u>Q</u>	<u>P</u>	<u>L</u>	—	<u>B024</u>	<u>J</u>	<u>K</u>	<u>000</u>	<u>X X X</u>
Brand	Product Category	Efficiency	Design Series		Cooling Capacity (BTU) (kW)	Electrical Designation	Drive Package	Heating Capacity (Factory Installed)	Factory Installed Options
R - Rheem	Q - Package Heat Pump	P - 14 SEER	L - R-410A		B024 - 24,000 [7.03] B025 - 24,000 [7.03] B030 - 30,000 [8.79] C036 - 36,000 [10.55] C042 - 42,000 [12.31] B049 - 48,000 [14.07]	J - 208-230V - 1PH - 60HZ C - 208-230V - 3PH - 60HZ	K - Direct Drive	000 - No Resistance Heat 005 - 05 kW Resistance Heat (018-030) 010 - 10 kW Resistance Heat (024-048) 015 - 15 kW Resistance Heat (036-048)	(See Next Page)

[ ] Designates Metric Conversions

## Available SKUs

Available Models
RQPL-B024JK
RQPL-B025JK
RQPL-B030JK
RQPL-C036CK
RQPL-C036JK
RQPL-C042CK
RQPL-C042JK
RQPL-B049CK
RQPL-B049JK

## Instructions for Factory Installed Option(s) Selection

**Note:** Two characters following the model number will be utilized to designate a factory-installed option or combination of options. If no factory option(s) is required, nothing follows the model number.

**Step 1.** After a basic rooftop model is selected, choose a *two-character* option code from the FACTORY INSTALLED OPTION SELECTION TABLE.

## FACTORY INSTALLED OPTION CODES

Option Codes	Low Ambient/High Pressure	Tin Plated Hairpin Coil
AUA		X

Example: RQPL-B036JK000XX (where XX is factory installed option)

Example: No Options

RQPL-B036JK000

Note: Factory installed economizer is not available on these models.

## NOMINAL SIZES 2-4 TONS [7.03-14.07 kW]

Model RQPL- Series	B024JK	B025JK	B030JK	C036CK
<b>Cooling Performance<sup>1</sup></b>				<b>CONTINUED →</b>
Gross Cooling Capacity Btu [kW]	25,000 [7.32]	24,400 [7.15]	29,800 [8.73]	35,000 [10.25]
EER/SEER <sup>2</sup>	11.8/14	12/14.3	12/14.3	11/14
Nominal CFM/AHRI Rated CFM [L/s]	800/850 [378/401]	800/850 [378/401]	1000/1050 [472/495]	1200/1300 [566/613]
AHRI Net Cooling Capacity Btu [kW]	24,400 [7.15]	23,800 [6.97]	29,200 [8.56]	34,200 [10.02]
Net Sensible Capacity Btu [kW]	18,800 [5.51]	17,800 [5.22]	23,000 [6.74]	27,500 [8.06]
Net Latent Capacity Btu [kW]	5,600 [1.64]	6,000 [1.76]	6,200 [1.82]	6,700 [1.96]
Net System Power kW	2.07	1.95	2.48	2.96
<b>Heating Performance (Heat Pumps)<sup>4</sup></b>				
High Temp. Btuh [kW] Rating	23,800 [6.97]	23,600 [6.91]	27,800 [8.15]	33,000 [9.67]
System Power KW / COP	1.99/3.5	1.87/3.7	2.26/3.6	2.97/3.4
Low Temp. Btuh [kW] Rating	13,800 [4.04]	12,900 [3.78]	15,500 [4.54]	18,000 [5.27]
System Power KW / COP	1.84/2.2	1.69/2.24	2.06/2.2	2.72/2
HSPF (Btu/Watts-hr)	8	8	8	8
<b>Compressor</b>				
No./Type	1/Scroll	1/Scroll	1/Scroll	1/Scroll
<b>Outdoor Sound Rating (dB)<sup>3</sup></b>	76	76	76	76
<b>Outdoor Coil—Fin Type</b>	Louvered	Louvered	Louvered	Louvered
Tube Type	Rifled	Rifled	Rifled	Rifled
Tube Size in. [mm] OD	0.375 [9.5]	0.375 [9.5]	0.375 [9.5]	0.375 [9.5]
Face Area sq. ft. [sq. m]	14.51 [1.35]	14.51 [1.35]	16.32 [1.52]	16.32 [1.52]
Rows / FPI [FPcm]	1 / 22 [9]	1 / 22 [9]	1 / 22 [9]	2 / 22 [9]
Refrigerant Control	TX Valves	TX Valves	TX Valves	TX Valves
<b>Indoor Coil—Fin Type</b>	Louvered	Louvered	Louvered	Louvered
Tube Type	Rifled	Rifled	Rifled	Rifled
Tube Size in. [mm]	0.375 [9.5]	0.375 [9.5]	0.375 [9.5]	0.375 [9.5]
Face Area sq. ft. [sq. m]	5.54 [0.51]	5.54 [0.51]	7.39 [0.69]	7.39 [0.69]
Rows / FPI [FPcm]	2 / 15 [6]	2 / 15 [6]	2 / 15 [6]	2 / 15 [6]
Refrigerant Control	TX Valves	TX Valves	TX Valves	TX Valves
Drain Connection No./Size in. [mm]	1/1 [25.4]	1/1 [25.4]	1/1 [25.4]	1/0.75 [19.05]
<b>Outdoor Fan—Type</b>	Propeller	Propeller	Propeller	Propeller
No. Used/Diameter in. [mm]	1/22 [558.8]	1/22 [558.8]	1/22 [558.8]	1/22 [558.8]
Drive Type/No. Speeds	Direct/1	Direct/1	Direct/1	Direct/1
CFM [L/s]	2700 [1274]	2700 [1274]	2700 [1274]	2700 [1274]
No. Motors/HP	1 at 1/3 HP	1 at 1/3 HP	1 at 1/3 HP	1 at 1/3 HP
Motor RPM	1075	869	1075	1075
<b>Indoor Fan—Type</b>	FC Centrifugal	FC Centrifugal	FC Centrifugal	FC Centrifugal
No. Used/Diameter in. [mm]	1/9x7 [229x178]	1/9x7 [229x178]	1/10x9 [254x229]	1/10x9 [254x229]
Drive Type	Direct	Direct	Direct	Direct
No. Speeds	Multiple	Multiple	Multiple	Multiple
No. Motors	1	1	1	1
Motor HP	1/3	1/3	1/2	1/2
Motor RPM	1050	1050	1050	1050
Motor Frame Size	48	48	48	48
<b>Filter—Type</b>	Field Supplied	Field Supplied	Field Supplied	Field Supplied
Furnished	No	No	No	No
(NO.) Size Recommended in. [mm x mm x mm]	(1)1x20x20 [25x508x508]	(1)1x20x20 [25x508x508]	(1)1x24x24 [25x610x610]	(1)1x24x24 [25x610x610]
<b>Refrigerant Charge Oz. [g]</b>	98 [2778]	98 [2778]	108 [3062]	184 [5216]
<b>Weights</b>				
Net Weight lbs. [kg]	391 [177]	391 [177]	444 [201]	508 [230]
Ship Weight lbs. [kg]	401 [182]	401 [182]	455 [206]	519 [235]

See Page 10 for Notes.

[ ] Designates Metric Conversions

## NOMINAL SIZES 2-4 TONS [7.03-14.07 kW]

Model RQPL- Series	C036JK	C042CK	C042JK	B049CK
<b>Cooling Performance<sup>1</sup></b>				<b>CONTINUED</b> →
Gross Cooling Capacity Btu [kW]	35,000 [10.25]	41,000 [12.01]	41,000 [12.01]	47,500 [13.92]
EER/SEER <sup>2</sup>	11/14	11/14	11/14	11.5/14
Nominal CFM/AHRI Rated CFM [L/s]	1200/1300 [566/613]	1400/1375 [661/649]	1400/1375 [661/649]	1600/1600 [755/755]
AHRI Net Cooling Capacity Btu [kW]	34,200 [10.02]	40,000 [11.72]	40,000 [11.72]	46,000 [13.48]
Net Sensible Capacity Btu [kW]	27,500 [8.06]	30,100 [8.82]	30,100 [8.82]	34,650 [10.15]
Net Latent Capacity Btu [kW]	6,700 [1.96]	9,900 [2.9]	9,900 [2.9]	11,350 [3.33]
Net System Power kW	2.96	3.69	3.69	4
<b>Heating Performance (Heat Pumps)</b>				
High Temp. Btuh [kW] Rating	33,000 [9.67]	40,000 [11.72]	40,000 [11.72]	46,000 [13.48]
System Power KW / COP	2.97/3.4	3.77/3.38	3.77/3.38	3.87/3.48
Low Temp. Btuh [kW] Rating	18,000 [5.27]	24,800 [7.27]	24,800 [7.27]	26,200 [7.68]
System Power KW / COP	2.72/2	3.36/2.18	3.36/2.18	3.55/2.2
HSPF (Btu/Watts-hr)	8	8	8	8
<b>Compressor</b>				
No./Type	1/Scroll	1/Scroll	1/Scroll	1/Scroll
<b>Outdoor Sound Rating (dB)<sup>5</sup></b>	76	76	76	78
<b>Outdoor Coil—Fin Type</b>	Louvered	Louvered	Louvered	Louvered
Tube Type	Rifled	Rifled	Rifled	Rifled
Tube Size in. [mm] OD	0.375 [9.5]	0.375 [9.5]	0.375 [9.5]	0.375 [9.5]
Face Area sq. ft. [sq. m]	16.32 [1.52]	16.32 [1.52]	16.32 [1.52]	16.32 [1.52]
Rows / FPI [FPcm]	2 / 22 [9]	2 / 22 [9]	2 / 22 [9]	2 / 22 [9]
Refrigerant Control	TX Valves	TX Valves	TX Valves	TX Valves
<b>Indoor Coil—Fin Type</b>	Louvered	Louvered	Louvered	Louvered
Tube Type	Rifled	Rifled	Rifled	Rifled
Tube Size in. [mm] OD	0.375 [9.5]	0.375 [9.5]	0.375 [9.5]	0.375 [9.5]
Face Area sq. ft. [sq. m]	7.39 [0.69]	7.39 [0.69]	7.39 [0.69]	7.39 [0.69]
Rows / FPI [FPcm]	2 / 15 [6]	2 / 15 [6]	2 / 15 [6]	2 / 15 [6]
Refrigerant Control	TX Valves	TX Valves	TX Valves	TX Valves
Drain Connection No./Size in. [mm]	1/0.75 [19.05]	1/1 [25.4]	1/1 [25.4]	1/1 [25.4]
<b>Outdoor Fan—Type</b>	Propeller	Propeller	Propeller	Propeller
No. Used/Diameter in. [mm]	1/22 [558.8]	1/22 [558.8]	1/22 [558.8]	1/22 [558.8]
Drive Type/No. Speeds	Direct/1	Direct/1	Direct/1	Direct/1
CFM [L/s]	2700 [1274]	3700 [1746]	3700 [1746]	3000 [1416]
No. Motors/HP	1 at 1/3 HP	1 at 1/3 HP	1 at 1/3 HP	1 at 1/3 HP
Motor RPM	1075	1200	1200	1075
<b>Indoor Fan—Type</b>	FC Centrifugal	FC Centrifugal	FC Centrifugal	FC Centrifugal
No. Used/Diameter in. [mm]	1/10x9 [254x229]	1/10x9 [254x229]	1/10x9 [254x229]	1/10x9 [254x229]
Drive Type	Direct	Direct	Direct	Direct
No. Speeds	Multiple	Multiple	Multiple	Multiple
No. Motors	1	1	1	1
Motor HP	1/2	3/4	3/4	3/4
Motor RPM	1050	1050	1050	1075
Motor Frame Size	48	48	48	48
<b>Filter—Type</b>	Field Supplied	Field Supplied	Field Supplied	Field Supplied
Furnished	No	No	No	No
(NO.) Size Recommended in. [mm x mm x mm]	(1)1x24x24 [25x610x610]	(1)1x24x24 [25x610x610]	(1)1x24x24 [25x610x610]	(1)1x24x24 [25x610x610]
<b>Refrigerant Charge Oz. [g]</b>	184 [5216]	188.8 [5352]	188.8 [5352]	177 [5018]
<b>Weights</b>				
Net Weight lbs. [kg]	508 [230]	500 [227]	510 [231]	500 [227]
Ship Weight lbs. [kg]	519 [235]	511 [232]	521 [236]	511 [232]

See Page 10 for Notes.

[ ] Designates Metric Conversions



## NOMINAL SIZES 2-4 TONS [7.03-14.07 kW]

Model RQPL- Series	B049JK
<b>Cooling Performance<sup>1</sup></b>	
Gross Cooling Capacity Btu [kW]	47,500 [13.92]
EER/SEER <sup>2</sup>	11.5/14
Nominal CFM/AHRI Rated CFM [L/s]	1600/1600 [755/755]
AHRI Net Cooling Capacity Btu [kW]	46,000 [13.48]
Net Sensible Capacity Btu [kW]	34,650 [10.15]
Net Latent Capacity Btu [kW]	11,350 [3.33]
Net System Power kW	4
<b>Heating Performance (Heat Pumps)<sup>4</sup></b>	
High Temp. Btuh [kW] Rating	46,000 [13.48]
System Power KW / COP	3.87/3.48
Low Temp. Btuh [kW] Rating	26,200 [7.68]
System Power KW / COP	3.55/2.2
HSPF (Btu/Watts-hr)	8
<b>Compressor</b>	
No./Type	1/Scroll
<b>Outdoor Sound Rating (dB)<sup>3</sup></b>	
	78
<b>Outdoor Coil—Fin Type</b>	
Tube Type	Louvered
Tube Size in. [mm] OD	Rifled
Face Area sq. ft. [sq. m]	0.375 [9.5]
Rows / FPI [FPcm]	16.32 [1.52]
Refrigerant Control	2 / 22 [9]
	TX Valves
<b>Indoor Coil—Fin Type</b>	
Tube Type	Louvered
Tube Size in. [mm]	Rifled
Face Area sq. ft. [sq. m]	0.375 [9.5]
Rows / FPI [FPcm]	7.39 [0.69]
Refrigerant Control	2 / 15 [6]
Drain Connection No./Size in. [mm]	TX Valves
	1/1 [25.4]
<b>Outdoor Fan—Type</b>	
No. Used/Diameter in. [mm]	Propeller
Drive Type/No. Speeds	1/22 [558.8]
CFM [L/s]	Direct/1
No. Motors/HP	3000 [1416]
Motor RPM	1 at 1/3 HP
	1075
<b>Indoor Fan—Type</b>	
No. Used/Diameter in. [mm]	FC Centrifugal
Drive Type	1/10x9 [254x229]
No. Speeds	Direct
No. Motors	Multiple
Motor HP	1
Motor RPM	3/4
Motor Frame Size	1075
	48
<b>Filter—Type</b>	
Furnished	Field Supplied
(NO.) Size Recommended in. [mm x mm x mm]	No
	(1)1x24x24 [25x610x610]
<b>Refrigerant Charge Oz. [g]</b>	
	177 [5018]
<b>Weights</b>	
Net Weight lbs. [kg]	510 [231]
Ship Weight lbs. [kg]	521 [236]

See Page 10 for Notes.

[ ] Designates Metric Conversions

## NOTES:

1. Cooling Performance is rated at 95° F ambient, 80° F entering dry bulb, 67° F entering wet bulb. Gross capacity does not include the effect of fan motor heat. AHRI capacity is net and includes the effect of fan motor heat. Units are suitable for operation in CFM range shown in airflow tables. Units are certified in accordance with the Unitary Air Conditioner Equipment certification program, which is based on AHRI Standard 210/240 or 360.
2. EER and/or SEER are rated at AHRI conditions and in accordance with DOE test procedures.
3. Outdoor Sound Rating shown is tested in accordance with AHRI Standard 270.
4. Heating Performance is rated at 47° F ambient, 70° F entering dry bulb for High Temp rating and 17° F ambient, 70° F entering dry bulb for Low Temp rating. Performance ratings do include the effect of fan motor heat.

## COOLING PERFORMANCE DATA—RQPL-024

ENTERING INDOOR AIR @ 80°F [26.7°C] dbE ①											
wbE		71°F [21.7°C]			67°F [19.4°C]			63°F [17.2°C]			
CFM [L/s]		940 [444]	850 [401]	760 [359]	940 [444]	850 [401]	760 [359]	940 [444]	850 [401]	760 [359]	
DR ①		.15	.13	.11	.15	.13	.11	.15	.13	.11	
OUTDOOR DRY BULB TEMPERATURE °F [°C]	75 [23.9]	Total BTUH [kW] Sens BTUH [kW] Power	29.9 [8.76] 19.2 [5.63] 1.5	29.4 [8.62] 18.4 [5.39] 1.5	28.8 [8.44] 17.5 [5.13] 1.5	28.6 [8.38] 22.0 [6.45] 1.5	28.0 [8.21] 21.0 [6.15] 1.5	27.5 [8.06] 20.1 [5.89] 1.5	27.6 [8.09] 23.3 [6.83] 1.5	27.1 [7.94] 22.3 [6.54] 1.5	26.6 [7.80] 21.2 [6.21] 1.5
	80 [26.7]	Total BTUH [kW] Sens BTUH [kW] Power	29.7 [8.70] 19.0 [5.57] 1.6	29.1 [8.53] 18.1 [5.30] 1.6	28.6 [8.38] 17.3 [5.07] 1.6	28.3 [8.29] 21.8 [6.39] 1.6	27.8 [8.15] 20.8 [6.10] 1.6	27.3 [8.00] 19.9 [5.83] 1.6	27.3 [8.00] 23.1 [6.77] 1.6	26.8 [7.85] 22.1 [6.48] 1.6	26.4 [7.74] 21.0 [6.15] 1.6
	85 [29.4]	Total BTUH [kW] Sens BTUH [kW] Power	29.0 [8.50] 18.6 [5.45] 1.7	28.5 [8.35] 17.8 [5.22] 1.7	27.9 [8.18] 16.9 [4.95] 1.7	27.6 [8.09] 21.4 [6.27] 1.7	27.2 [7.97] 20.5 [6.01] 1.7	26.7 [7.83] 19.5 [5.71] 1.7	26.7 [7.83] 22.7 [6.65] 1.7	26.2 [7.68] 21.7 [6.36] 1.7	25.7 [7.53] 20.7 [6.07] 1.7
	90 [32.2]	Total BTUH [kW] Sens BTUH [kW] Power	28.0 [8.21] 18.1 [5.30] 1.8	27.5 [8.06] 17.3 [5.07] 1.8	27.0 [7.91] 16.5 [4.84] 1.8	26.6 [7.80] 20.9 [6.13] 1.8	26.2 [7.68] 20.0 [5.86] 1.8	25.7 [7.53] 19.1 [5.60] 1.8	25.6 [7.50] 22.2 [6.51] 1.8	25.2 [7.39] 21.2 [6.21] 1.8	24.7 [7.24] 20.2 [5.92] 1.8
	95 [35]	Total BTUH [kW] Sens BTUH [kW] Power	26.7 [7.83] 17.5 [5.13] 1.9	26.3 [7.71] 16.7 [4.89] 1.9	25.8 [7.56] 16.0 [4.69] 1.9	25.4 [7.44] 20.4 [5.98] 1.9	24.9 [7.30] 19.4 [5.69] 1.9	24.5 [7.18] 18.5 [5.42] 1.9	24.4 [7.15] 21.6 [6.33] 1.9	24.0 [7.03] 20.7 [6.07] 1.9	23.5 [6.89] 19.7 [5.77] 1.9
	100 [37.8]	Total BTUH [kW] Sens BTUH [kW] Power	25.4 [7.44] 16.9 [4.95] 2.0	24.9 [7.30] 16.1 [4.72] 2.0	24.5 [7.18] 15.4 [4.51] 2.0	24.0 [7.03] 19.7 [5.77] 2.0	23.6 [6.92] 18.8 [5.51] 2.0	23.2 [6.80] 18.0 [5.28] 2.0	23.0 [6.74] 21.0 [6.15] 2.0	22.6 [6.62] 20.1 [5.89] 2.0	22.2 [6.51] 19.1 [5.60] 2.0
	105 [40.6]	Total BTUH [kW] Sens BTUH [kW] Power	24.0 [7.03] 16.3 [4.78] 2.1	23.6 [6.92] 15.5 [4.54] 2.1	23.1 [6.77] 14.8 [4.34] 2.1	22.6 [6.62] 19.1 [5.60] 2.1	22.2 [6.51] 18.2 [5.33] 2.1	21.8 [6.39] 17.4 [5.10] 2.1	21.7 [6.36] 20.4 [5.98] 2.1	21.3 [6.24] 19.5 [5.71] 2.1	20.9 [6.13] 18.5 [5.42] 2.1
	110 [43.3]	Total BTUH [kW] Sens BTUH [kW] Power	22.7 [6.65] 15.6 [4.57] 2.2	22.3 [6.54] 14.9 [4.37] 2.2	21.9 [6.42] 14.2 [4.16] 2.2	21.4 [6.27] 18.5 [5.42] 2.2	21.0 [6.15] 17.6 [5.16] 2.2	20.6 [6.04] 16.8 [4.92] 2.2	20.4 [5.98] 19.7 [5.77] 2.2	20.0 [5.86] 18.9 [5.54] 2.2	19.6 [5.74] 18.0 [5.28] 2.2
	115 [46.1]	Total BTUH [kW] Sens BTUH [kW] Power	21.6 [6.33] 15.1 [4.43] 2.3	21.2 [6.21] 14.4 [4.22] 2.3	20.8 [6.10] 13.7 [4.02] 2.3	20.2 [5.92] 17.9 [5.25] 2.3	19.9 [5.83] 17.1 [5.01] 2.3	19.5 [5.71] 16.3 [4.78] 2.3	19.3 [5.66] 19.2 [5.63] 2.3	18.9 [5.54] 18.3 [5.36] 2.3	18.6 [5.45] 17.5 [5.13] 2.3

DR —Depression ratio  
dbE —Entering air dry bulb  
wbE—Entering air wet bulb

Total —Total capacity x 1000 BTUH  
Sens —Sensible capacity x 1000 BTUH  
Power—KW input

**NOTES:**

When the entering air dry bulb is other than 80°F [27°C], adjust the sensible capacity from the table by adding  $[1.10 \times \text{CFM} \times (1 - \text{DR}) \times (\text{dbE} - 80)]$ .

## HEATING PERFORMANCE DATA—RQPL-024

ENTERING INDOOR AIR @ 80°F [26.7°C] dbE ①											
IDB		60°F [15.5°C]			70°F [21.1°C]			80°F [26.7°C]			
CFM [L/s]		940 [444]	850 [401]	760 [359]	940 [444]	850 [401]	760 [359]	940 [444]	850 [401]	760 [359]	
OUTDOOR DRY BULB TEMPERATURE °F [°C]	0 [-17.8]	Total BTUH [kW] Power	8.9 [2.61] 1.4	8.8 [2.58] 1.4	8.7 [2.55] 1.4	8.0 [2.34] 1.6	7.9 [2.32] 1.6	7.9 [2.32] 1.6	6.5 [1.90] 1.8	6.5 [1.90] 1.8	6.5 [1.90] 1.9
	5 [-15]	Total BTUH [kW] Power	10.5 [3.08] 1.4	10.4 [3.05] 1.4	10.4 [3.05] 1.5	9.6 [2.81] 1.6	9.6 [2.81] 1.6	9.5 [2.78] 1.6	8.2 [2.40] 1.8	8.1 [2.37] 1.9	8.1 [2.37] 1.9
	10 [-12.2]	Total BTUH [kW] Power	12.1 [3.55] 1.4	12.1 [3.55] 1.5	12.0 [3.52] 1.5	11.3 [3.31] 1.6	11.2 [3.28] 1.6	11.1 [3.25] 1.7	9.8 [2.87] 1.9	9.8 [2.87] 1.9	9.7 [2.84] 1.9
	15 [-9.4]	Total BTUH [kW] Power	13.8 [4.04] 1.5	13.7 [4.02] 1.5	13.6 [3.99] 1.5	12.9 [3.78] 1.6	12.8 [3.75] 1.7	12.7 [3.72] 1.7	11.5 [3.37] 1.9	11.4 [3.34] 1.9	11.3 [3.31] 1.9
	20 [-6.7]	Total BTUH [kW] Power	15.4 [4.51] 1.5	15.3 [4.48] 1.5	15.2 [4.45] 1.5	14.5 [4.25] 1.7	14.4 [4.22] 1.7	14.3 [4.19] 1.7	13.1 [3.84] 1.9	13.0 [3.81] 1.9	12.9 [3.78] 1.9
	25 [-3.9]	Total BTUH [kW] Power	17.1 [5.01] 1.5	16.9 [4.95] 1.5	16.8 [4.92] 1.5	16.2 [4.75] 1.7	16.1 [4.72] 1.7	15.9 [4.66] 1.7	14.7 [4.31] 1.9	14.6 [4.28] 1.9	14.5 [4.25] 2.0
	30 [-1.1]	Total BTUH [kW] Power	18.7 [5.48] 1.5	18.6 [5.45] 1.5	18.4 [5.39] 1.6	17.8 [5.22] 1.7	17.7 [5.19] 1.7	17.6 [5.16] 1.7	16.4 [4.81] 1.9	16.3 [4.78] 2.0	16.1 [4.72] 2.0
	35 [1.7]	Total BTUH [kW] Power	20.3 [5.95] 1.5	20.2 [5.92] 1.6	20.0 [5.86] 1.6	19.4 [5.69] 1.7	19.3 [5.66] 1.7	19.2 [5.63] 1.8	18.0 [5.28] 2.0	17.9 [5.25] 2.0	17.8 [5.22] 2.0
	40 [4.4]	Total BTUH [kW] Power	22.0 [6.45] 1.6	21.8 [6.39] 1.6	21.7 [6.36] 1.6	21.1 [6.18] 1.7	20.9 [6.13] 1.8	20.8 [6.10] 1.8	19.6 [5.74] 2.0	19.5 [5.71] 2.0	19.4 [5.69] 2.0
	45 [7.2]	Total BTUH [kW] Power	23.6 [6.92] 1.6	23.4 [6.86] 1.6	23.3 [6.83] 1.6	22.7 [6.65] 1.8	22.6 [6.62] 1.8	22.4 [6.56] 1.8	21.3 [6.24] 2.0	21.1 [6.18] 2.0	21.0 [6.15] 2.1
	50 [10]	Total BTUH [kW] Power	25.2 [7.39] 1.6	25.1 [7.36] 1.6	24.9 [7.30] 1.6	24.4 [7.15] 1.8	24.2 [7.09] 1.8	24.0 [7.03] 1.8	22.9 [6.71] 2.0	22.8 [6.68] 2.0	22.6 [6.62] 2.1

IDB—Indoor air dry bulb

[ ] Designates Metric Conversions

## COOLING PERFORMANCE DATA—RQPL-025

ENTERING INDOOR AIR @ 80°F [26.7°C] dbE ①											
wbE		71°F [21.7°C]			67°F [19.4°C]			63°F [17.2°C]			
CFM [L/s]		930 [439]	850 [401]	760 [359]	930 [439]	850 [401]	760 [359]	930 [439]	850 [401]	760 [359]	
DR ①		.15	.17	.19	.15	.17	.19	.15	.17	.19	
OUTDOOR DRY BULB TEMPERATURE °F [°C]	75 [23.9]	Total BTUH [kW] Sens BTUH [kW] Power	30.4 [8.9] 18.8 [5.5] 1.5	29.9 [8.8] 17.5 [5.1] 1.4	29.3 [8.6] 16.1 [4.7] 1.4	28.5 [8.4] 22.1 [6.5] 1.5	28.0 [8.2] 20.7 [6.1] 1.5	27.5 [8.1] 19.2 [5.6] 1.4	26.8 [7.9] 24.4 [7.2] 1.5	26.4 [7.7] 23.0 [6.8] 1.5	25.9 [7.6] 21.4 [6.3] 1.4
	80 [26.7]	Total BTUH [kW] Sens BTUH [kW] Power	29.6 [8.7] 18.2 [5.3] 1.5	29.1 [8.5] 16.9 [5.0] 1.5	28.5 [8.4] 15.5 [4.6] 1.5	27.7 [8.1] 21.5 [6.3] 1.5	27.2 [8.0] 20.1 [5.9] 1.5	26.7 [7.8] 18.6 [5.5] 1.5	26.0 [7.6] 23.8 [7.0] 1.6	25.6 [7.5] 22.4 [6.6] 1.5	25.1 [7.4] 20.8 [6.1] 1.5
	85 [29.4]	Total BTUH [kW] Sens BTUH [kW] Power	28.7 [8.4] 17.5 [5.1] 1.6	28.2 [8.3] 16.3 [4.8] 1.6	27.6 [8.1] 14.9 [4.4] 1.6	26.8 [7.9] 20.9 [6.1] 1.6	26.3 [7.7] 19.5 [5.7] 1.6	25.8 [7.6] 18.1 [5.3] 1.6	25.1 [7.4] 23.2 [6.8] 1.6	24.7 [7.2] 21.8 [6.4] 1.6	24.2 [7.1] 20.2 [5.9] 1.6
	90 [32.2]	Total BTUH [kW] Sens BTUH [kW] Power	27.7 [8.1] 16.9 [5.0] 1.7	27.2 [8.0] 15.7 [4.6] 1.7	26.7 [7.8] 14.4 [4.2] 1.7	25.8 [7.6] 20.3 [6.0] 1.7	25.4 [7.4] 19.0 [5.6] 1.7	24.9 [7.3] 17.6 [5.2] 1.7	24.1 [7.1] 22.4 [6.6] 1.7	23.7 [6.9] 21.1 [6.2] 1.7	23.3 [6.8] 19.7 [5.8] 1.7
	95 [35]	Total BTUH [kW] Sens BTUH [kW] Power	26.7 [7.8] 16.3 [4.8] 1.8	26.2 [7.7] 15.1 [4.4] 1.8	25.7 [7.5] 13.9 [4.1] 1.8	24.8 [7.3] 19.6 [5.8] 1.8	24.4 [7.2] 18.4 [5.4] 1.8	23.9 [7.0] 17.0 [5.0] 1.8	23.1 [6.8] 21.9 [6.4] 1.8	22.7 [6.7] 20.6 [6.0] 1.8	22.3 [6.5] 19.2 [5.6] 1.8
	100 [37.8]	Total BTUH [kW] Sens BTUH [kW] Power	25.6 [7.5] 15.8 [4.6] 1.9	25.2 [7.4] 14.7 [4.3] 1.9	24.7 [7.2] 13.5 [4.0] 1.9	23.7 [6.9] 19.0 [5.6] 1.9	23.3 [6.8] 17.8 [5.2] 1.9	22.9 [6.7] 16.5 [4.8] 1.9	22.0 [6.4] 21.3 [6.3] 1.9	21.7 [6.4] 20.1 [5.9] 1.9	21.3 [6.2] 18.7 [5.5] 1.9
	105 [40.6]	Total BTUH [kW] Sens BTUH [kW] Power	24.5 [7.2] 15.2 [4.5] 2.0	24.1 [7.1] 14.2 [4.2] 2.0	23.6 [6.9] 13.0 [3.8] 2.0	22.6 [6.6] 18.5 [5.4] 2.0	22.2 [6.5] 17.3 [5.1] 2.0	21.8 [6.4] 16.1 [4.7] 2.0	20.9 [6.1] 20.8 [6.1] 2.0	20.6 [6.0] 19.6 [5.8] 2.0	20.2 [5.9] 18.3 [5.4] 2.0
	110 [43.3]	Total BTUH [kW] Sens BTUH [kW] Power	23.3 [6.8] 14.7 [4.3] 2.2	22.9 [6.7] 13.7 [4.0] 2.1	22.5 [6.6] 12.6 [3.7] 2.1	21.4 [6.3] 18.0 [5.3] 2.2	21.0 [6.2] 16.8 [4.9] 2.1	20.6 [6.0] 15.6 [4.6] 2.1	19.7 [5.8] 19.7 [5.8] 2.2	19.4 [5.7] 19.1 [5.6] 2.1	19.0 [5.6] 17.8 [5.2] 2.1
	115 [46.1]	Total BTUH [kW] Sens BTUH [kW] Power	22.1 [6.5] 14.2 [4.2] 2.3	21.7 [6.4] 13.2 [3.9] 2.3	21.3 [6.2] 12.2 [3.6] 2.2	20.2 [5.9] 17.5 [5.1] 2.3	19.8 [5.8] 16.4 [4.8] 2.3	19.4 [5.7] 15.2 [4.5] 2.2	18.5 [5.4] 18.5 [5.4] 2.3	18.2 [5.3] 18.2 [5.3] 2.3	17.8 [5.2] 17.4 [5.1] 2.2

DR —Depression ratio  
dbE —Entering air dry bulb  
wbE—Entering air wet bulb

Total —Total capacity x 1000 BTUH  
Sens —Sensible capacity x 1000 BTUH  
Power —KW input

**NOTES:**  
When the entering air dry bulb is other than 80°F [27°C], adjust the sensible capacity from the table by adding [1.10 x CFM x (1 – DR) x (dbE – 80)].

## HEATING PERFORMANCE DATA—RQPL-025

ENTERING INDOOR AIR @ 80°F [26.7°C] dbE ①											
IDB		60°F [15.5°C]			70°F [21.1°C]			80°F [26.7°C]			
CFM [L/s]		930 [439]	850 [401]	760 [359]	930 [439]	850 [401]	760 [359]	930 [439]	850 [401]	760 [359]	
OUTDOOR DRY BULB TEMPERATURE °F [°C]	0 [-17.8]	Total BTUH [kW] Power	7.3 [2.1] 1.2	7.2 [2.1] 1.3	7.2 [2.1] 1.3	5.9 [1.7] 1.4	5.9 [1.7] 1.4	5.9 [1.7] 1.4	4.6 [1.3] 1.6	4.5 [1.3] 1.6	4.5 [1.3] 1.6
	5 [-15]	Total BTUH [kW] Power	9.1 [2.7] 1.3	9.1 [2.7] 1.3	9.0 [2.6] 1.3	7.8 [2.3] 1.4	7.7 [2.3] 1.5	7.7 [2.3] 1.5	6.4 [1.9] 1.6	6.4 [1.9] 1.6	6.3 [1.8] 1.7
	10 [-12.2]	Total BTUH [kW] Power	11.0 [3.2] 1.3	10.9 [3.2] 1.3	10.8 [3.2] 1.3	9.6 [2.8] 1.5	9.5 [2.8] 1.5	9.5 [2.8] 1.5	8.2 [2.4] 1.7	8.2 [2.4] 1.7	8.1 [2.4] 1.7
	15 [-9.4]	Total BTUH [kW] Power	12.8 [3.8] 1.3	12.7 [3.7] 1.3	12.6 [3.7] 1.4	11.4 [3.3] 1.5	11.4 [3.3] 1.5	11.3 [3.3] 1.5	10.1 [3.0] 1.7	10.0 [2.9] 1.7	9.9 [2.9] 1.7
	20 [-6.7]	Total BTUH [kW] Power	14.6 [4.3] 1.4	14.5 [4.2] 1.4	14.4 [4.2] 1.4	13.3 [3.9] 1.5	13.2 [3.9] 1.6	13.1 [3.8] 1.6	11.9 [3.5] 1.7	11.8 [3.5] 1.7	11.8 [3.5] 1.8
	25 [-3.9]	Total BTUH [kW] Power	16.5 [4.8] 1.4	16.4 [4.8] 1.4	16.2 [4.7] 1.4	15.1 [4.4] 1.6	15.0 [4.4] 1.6	14.9 [4.4] 1.6	13.8 [4.0] 1.7	13.7 [4.0] 1.8	13.6 [4.0] 1.8
	30 [-1.1]	Total BTUH [kW] Power	18.3 [5.4] 1.4	18.2 [5.3] 1.4	18.0 [5.3] 1.4	17.0 [5.0] 1.6	16.8 [4.9] 1.6	16.7 [4.9] 1.6	15.6 [4.6] 1.8	15.5 [4.5] 1.8	15.4 [4.5] 1.8
	35 [1.7]	Total BTUH [kW] Power	20.1 [5.9] 1.4	20.0 [5.9] 1.5	19.9 [5.8] 1.5	18.8 [5.5] 1.6	18.7 [5.5] 1.6	18.5 [5.4] 1.7	17.4 [5.1] 1.8	17.3 [5.1] 1.8	17.2 [5.0] 1.8
	40 [4.4]	Total BTUH [kW] Power	22.0 [6.4] 1.5	21.8 [6.4] 1.5	21.7 [6.4] 1.5	20.6 [6.0] 1.6	20.5 [6.0] 1.7	20.3 [5.9] 1.7	19.3 [5.7] 1.8	19.1 [5.6] 1.9	19.0 [5.6] 1.9
	45 [7.2]	Total BTUH [kW] Power	23.8 [7.0] 1.5	23.7 [6.9] 1.5	23.5 [6.9] 1.5	22.5 [6.6] 1.7	22.3 [6.5] 1.7	22.1 [6.5] 1.7	21.1 [6.2] 1.9	21.0 [6.2] 1.9	20.8 [6.1] 1.9
50 [10]	Total BTUH [kW] Power	25.7 [7.5] 1.5	25.5 [7.5] 1.6	25.3 [7.4] 1.6	24.3 [7.1] 1.7	24.1 [7.1] 1.7	23.9 [7.0] 1.8	22.9 [6.7] 1.9	22.8 [6.7] 1.9	22.6 [6.6] 1.9	

IDB—Indoor air dry bulb

[ ] Designates Metric Conversions

## COOLING PERFORMANCE DATA—RQPL-030

ENTERING INDOOR AIR @ 80°F [26.7°C] dbE ①											
		wbE	71°F [21.7°C]			67°F [19.4°C]			63°F [17.2°C]		
		CFM [L/s]	1160 [547]	1050 [496]	940 [444]	1160 [547]	1050 [496]	940 [444]	1160 [547]	1050 [496]	940 [444]
		DR ①	.15	.13	.11	.15	.13	.11	.15	.13	.11
OUTDOOR DRY BULB TEMPERATURE °F [°C]	75 [23.9]	Total BTUH [kW]	36.9 [10.81]	36.2 [10.61]	35.5 [10.40]	34.9 [10.23]	34.2 [10.02]	33.6 [9.85]	33.5 [9.82]	32.9 [9.64]	32.3 [9.47]
		Sens BTUH [kW]	23.7 [6.95]	22.6 [6.62]	21.5 [6.30]	26.9 [7.88]	25.7 [7.53]	24.5 [7.18]	28.4 [8.32]	27.1 [7.94]	25.8 [7.56]
		Power	1.9	1.9	1.9	1.9	1.9	1.9	1.9	1.9	1.9
	80 [26.7]	Total BTUH [kW]	35.7 [10.46]	35.1 [10.29]	34.4 [10.08]	33.7 [9.88]	33.1 [9.70]	32.5 [9.52]	32.3 [9.47]	31.8 [9.32]	31.2 [9.14]
		Sens BTUH [kW]	23.1 [6.77]	22.0 [6.45]	21.0 [6.15]	26.3 [7.71]	25.2 [7.39]	24.0 [7.03]	27.8 [8.15]	26.5 [7.77]	25.3 [7.41]
		Power	2.0	2.0	2.0	2.0	2.0	2.0	2.0	2.0	2.0
	85 [29.4]	Total BTUH [kW]	34.6 [10.14]	33.9 [9.94]	33.3 [9.76]	32.6 [9.55]	32.0 [9.38]	31.4 [9.20]	31.2 [9.14]	30.6 [8.97]	30.1 [8.82]
		Sens BTUH [kW]	22.5 [6.59]	21.5 [6.30]	20.5 [6.01]	25.8 [7.56]	24.6 [7.21]	23.5 [6.89]	27.2 [7.97]	26.0 [7.62]	24.8 [7.27]
		Power	2.1	2.1	2.1	2.1	2.1	2.1	2.1	2.1	2.1
	90 [32.2]	Total BTUH [kW]	33.4 [9.79]	32.8 [9.61]	32.2 [9.44]	31.4 [9.20]	30.9 [9.06]	30.3 [8.88]	30.1 [8.82]	29.5 [8.65]	29.0 [8.50]
Sens BTUH [kW]		21.9 [6.42]	20.9 [6.13]	20.0 [5.86]	25.2 [7.39]	24.1 [7.06]	23.0 [6.74]	26.6 [7.80]	25.4 [7.44]	24.3 [7.12]	
Power		2.2	2.2	2.2	2.2	2.2	2.2	2.2	2.2	2.2	
95 [35]	Total BTUH [kW]	32.3 [9.47]	31.7 [9.29]	31.1 [9.11]	30.3 [8.88]	29.8 [8.73]	29.2 [8.56]	28.9 [8.47]	28.4 [8.32]	27.9 [8.18]	
	Sens BTUH [kW]	21.4 [6.27]	20.4 [5.98]	19.5 [5.71]	24.7 [7.24]	23.6 [6.92]	22.5 [6.59]	26.1 [7.65]	24.9 [7.30]	23.8 [6.98]	
	Power	2.3	2.3	2.3	2.3	2.3	2.2	2.3	2.3	2.3	
100 [37.8]	Total BTUH [kW]	31.1 [9.11]	30.6 [8.97]	30.0 [8.79]	29.1 [8.53]	28.6 [8.38]	28.1 [8.24]	27.8 [8.15]	27.3 [8.00]	26.8 [7.85]	
	Sens BTUH [kW]	20.8 [6.10]	19.9 [5.83]	19.0 [5.57]	24.1 [7.06]	23.0 [6.74]	22.0 [6.45]	25.5 [7.47]	24.4 [7.15]	23.3 [6.83]	
	Power	2.4	2.4	2.4	2.4	2.4	2.3	2.4	2.4	2.4	
105 [40.6]	Total BTUH [kW]	30.0 [8.79]	29.4 [8.62]	28.9 [8.47]	28.0 [8.21]	27.5 [8.06]	27.0 [7.91]	26.6 [7.80]	26.1 [7.65]	25.6 [7.50]	
	Sens BTUH [kW]	20.3 [5.95]	19.4 [5.69]	18.5 [5.42]	23.6 [6.92]	22.5 [6.59]	21.5 [6.30]	25.0 [7.33]	23.9 [7.00]	22.8 [6.68]	
	Power	2.5	2.5	2.5	2.5	2.5	2.4	2.5	2.5	2.5	
110 [43.3]	Total BTUH [kW]	28.7 [8.41]	28.2 [8.26]	27.7 [8.12]	26.7 [7.83]	26.2 [7.68]	25.8 [7.56]	25.4 [7.44]	24.9 [7.30]	24.5 [7.18]	
	Sens BTUH [kW]	19.7 [5.77]	18.8 [5.51]	18.0 [5.28]	23.0 [6.74]	22.0 [6.45]	21.0 [6.15]	24.4 [7.15]	23.4 [6.86]	22.3 [6.54]	
	Power	2.6	2.6	2.6	2.6	2.6	2.5	2.6	2.6	2.6	
115 [46.1]	Total BTUH [kW]	27.4 [8.03]	26.9 [7.88]	26.4 [7.74]	25.4 [7.44]	25.0 [7.33]	24.5 [7.18]	24.1 [7.06]	23.6 [6.92]	23.2 [6.80]	
	Sens BTUH [kW]	19.2 [5.63]	18.3 [5.36]	17.5 [5.13]	22.5 [6.59]	21.5 [6.30]	20.5 [6.01]	23.9 [7.00]	22.8 [6.68]	21.8 [6.39]	
	Power	2.7	2.7	2.7	2.7	2.6	2.6	2.7	2.7	2.7	

DR —Depression ratio  
dbE —Entering air dry bulb  
wbE—Entering air wet bulb

Total —Total capacity x 1000 BTUH  
Sens —Sensible capacity x 1000 BTUH  
Power—KW input

**NOTES:**  
When the entering air dry bulb is other than 80°F [27°C], adjust the sensible capacity from the table by adding  $[1.10 \times \text{CFM} \times (1 - \text{DR}) \times (\text{dbE} - 80)]$ .

## HEATING PERFORMANCE DATA—RQPL-030

		IDB	60°F [15.5°C]			70°F [21.1°C]			80°F [26.7°C]		
		CFM [L/s]	1160 [547]	1050 [496]	940 [444]	1160 [547]	1050 [496]	940 [444]	1160 [547]	1050 [496]	940 [444]
OUTDOOR DRY BULB TEMPERATURE °F [°C]	0 [-17.8]	Total BTUH [kW]	9.5 [2.78]	9.5 [2.78]	9.4 [2.75]	8.0 [2.34]	7.9 [2.32]	7.9 [2.32]	6.6 [1.93]	6.5 [1.90]	6.5 [1.90]
		Power	1.6	1.6	1.6	1.8	1.8	1.8	2.0	2.0	2.1
	5 [-15]	Total BTUH [kW]	11.5 [3.37]	11.4 [3.34]	11.3 [3.31]	19.9 [2.90]	19.8 [2.87]	19.8 [2.87]	18.5 [2.49]	18.4 [2.46]	18.4 [2.46]
		Power	1.6	1.6	1.6	1.8	1.8	1.9	2.0	2.1	2.1
	10 [-12.2]	Total BTUH [kW]	13.4 [3.93]	13.3 [3.90]	13.2 [3.87]	11.8 [3.46]	11.8 [3.46]	11.7 [3.43]	10.4 [3.05]	10.3 [3.02]	10.3 [3.02]
		Power	1.6	1.7	1.7	1.9	1.9	1.9	2.1	2.1	2.1
	15 [-9.4]	Total BTUH [kW]	15.3 [4.48]	15.2 [4.45]	15.1 [4.43]	13.8 [4.04]	13.7 [4.02]	13.6 [3.99]	12.3 [3.60]	12.3 [3.60]	12.2 [3.58]
		Power	1.7	1.7	1.7	1.9	1.9	1.9	2.1	2.1	2.2
	20 [-6.7]	Total BTUH [kW]	17.2 [5.04]	17.1 [5.01]	17.0 [4.98]	15.7 [4.60]	15.6 [4.57]	15.5 [4.54]	14.3 [4.19]	14.2 [4.16]	14.1 [4.13]
		Power	1.7	1.7	1.7	1.9	1.9	2.0	2.1	2.2	2.2
25 [-3.9]	Total BTUH [kW]	19.2 [5.63]	19.0 [5.57]	18.9 [5.54]	17.6 [5.16]	17.5 [5.13]	17.4 [5.10]	16.2 [4.75]	16.1 [4.72]	16.0 [4.69]	
	Power	1.7	1.8	1.8	1.9	2.0	2.0	2.2	2.2	2.2	
30 [-1.1]	Total BTUH [kW]	21.1 [6.18]	20.9 [6.13]	20.8 [6.10]	19.5 [5.71]	19.4 [5.69]	19.3 [5.66]	18.1 [5.30]	18.0 [5.28]	17.9 [5.25]	
	Power	1.8	1.8	1.8	2.0	2.0	2.0	2.2	2.2	2.3	
35 [1.7]	Total BTUH [kW]	23.0 [6.74]	22.8 [6.68]	22.7 [6.65]	21.5 [6.30]	21.3 [6.24]	21.2 [6.21]	20.0 [5.86]	19.9 [5.83]	19.7 [5.77]	
	Power	1.8	1.8	1.8	2.0	2.0	2.1	2.2	2.3	2.3	
40 [4.4]	Total BTUH [kW]	24.9 [7.30]	24.8 [7.27]	24.6 [7.21]	23.4 [6.86]	23.2 [6.80]	23.0 [6.74]	22.0 [6.45]	21.8 [6.39]	21.6 [6.33]	
	Power	1.8	1.8	1.9	2.0	2.1	2.1	2.3	2.3	2.3	
45 [7.2]	Total BTUH [kW]	26.9 [7.88]	26.7 [7.83]	26.5 [7.77]	25.3 [7.41]	25.1 [7.36]	24.9 [7.30]	23.9 [7.00]	23.7 [6.95]	23.5 [6.89]	
	Power	1.9	1.9	1.9	2.1	2.1	2.1	2.3	2.3	2.4	
50 [10]	Total BTUH [kW]	28.8 [8.44]	28.6 [8.38]	28.4 [8.32]	27.2 [7.97]	27.0 [7.91]	26.8 [7.85]	25.8 [7.56]	25.6 [7.50]	25.4 [7.44]	
	Power	1.9	1.9	1.9	2.1	2.1	2.2	2.3	2.4	2.4	

IDB—Indoor air dry bulb

[ ] Designates Metric Conversions

## COOLING PERFORMANCE DATA—RQPL-036

ENTERING INDOOR AIR @ 80°F [26.7°C] dbE ①											
wbE		71°F [21.7°C]			67°F [19.4°C]			63°F [17.2°C]			
CFM [L/s]		1380 [651]	1250 [590]	1120 [528]	1380 [651]	1250 [590]	1120 [528]	1380 [651]	1250 [590]	1120 [528]	
DR ①		.21			.19			.17			
O U T D O O R  D R Y  B U L B  T E M P E R A T U R E  ° F [ ° C]	75 [23.9]	Total BTUH [kW] Sens BTUH [kW] Power	45.0 [13.19] 27.7 [8.12] 2.3	44.2 [12.95] 26.5 [7.77] 2.2	43.4 [12.72] 25.3 [7.41] 2.2	42.9 [12.57] 31.8 [9.32] 2.2	42.2 [12.37] 30.4 [8.91] 2.2	41.4 [12.13] 28.9 [8.47] 2.2	41.8 [12.25] 34.2 [10.02] 2.2	41.0 [12.02] 32.6 [9.55] 2.2	40.3 [11.81] 31.1 [9.11] 2.2
	80 [26.7]	Total BTUH [kW] Sens BTUH [kW] Power	43.9 [12.87] 27.1 [7.94] 2.4	43.1 [12.63] 25.9 [7.59] 2.4	42.3 [12.40] 24.7 [7.24] 2.4	41.8 [12.25] 31.2 [9.14] 2.4	41.1 [12.05] 29.8 [8.73] 2.4	40.3 [11.81] 28.4 [8.32] 2.3	40.7 [11.93] 33.5 [9.82] 2.4	39.9 [11.69] 32.0 [9.38] 2.3	39.2 [11.49] 30.5 [8.94] 2.3
	85 [29.4]	Total BTUH [kW] Sens BTUH [kW] Power	42.6 [12.48] 26.5 [7.77] 2.5	41.8 [12.25] 25.3 [7.41] 2.5	41.0 [12.02] 24.1 [7.06] 2.5	40.5 [11.87] 30.5 [8.94] 2.5	39.8 [11.66] 29.1 [8.53] 2.5	39.1 [11.46] 27.8 [8.15] 2.5	39.4 [11.55] 32.9 [9.64] 2.5	38.7 [11.34] 31.4 [9.20] 2.5	37.9 [11.11] 29.9 [8.76] 2.5
	90 [32.2]	Total BTUH [kW] Sens BTUH [kW] Power	41.1 [12.05] 25.7 [7.53] 2.7	40.3 [11.81] 24.6 [7.21] 2.7	39.6 [11.61] 23.5 [6.89] 2.6	39.0 [11.43] 29.8 [8.73] 2.7	38.3 [11.22] 28.5 [8.35] 2.6	37.6 [11.02] 27.1 [7.94] 2.6	37.9 [11.11] 32.2 [9.44] 2.6	37.2 [10.90] 30.7 [9.00] 2.6	36.5 [10.70] 29.3 [8.59] 2.6
	95 [35]	Total BTUH [kW] Sens BTUH [kW] Power	39.5 [11.58] 25.0 [7.33] 2.8	38.8 [11.37] 23.9 [7.00] 2.8	38.1 [11.17] 22.8 [6.68] 2.8	37.4 [10.96] 29.1 [8.53] 2.8	36.8 [10.79] 27.8 [8.15] 2.8	36.1 [10.58] 26.5 [7.77] 2.8	36.3 [10.64] 31.4 [9.20] 2.8	35.6 [10.43] 30.0 [8.79] 2.8	35.0 [10.26] 28.6 [8.38] 2.7
	100 [37.8]	Total BTUH [kW] Sens BTUH [kW] Power	37.8 [11.08] 24.2 [7.09] 3.0	37.1 [10.87] 23.2 [6.80] 2.9	36.5 [10.70] 22.1 [6.48] 2.9	35.8 [10.49] 28.3 [8.29] 2.9	35.1 [10.29] 27.0 [7.91] 2.9	34.5 [10.11] 25.8 [7.56] 2.9	34.6 [10.14] 30.7 [9.00] 2.9	34.0 [9.96] 29.3 [8.59] 2.9	33.4 [9.79] 27.9 [8.18] 2.9
	105 [40.6]	Total BTUH [kW] Sens BTUH [kW] Power	36.1 [10.58] 23.4 [6.86] 3.1	35.5 [10.40] 22.4 [6.56] 3.1	34.8 [10.20] 21.3 [6.24] 3.1	34.1 [9.99] 27.5 [8.06] 3.1	33.5 [9.82] 26.3 [7.71] 3.1	32.8 [9.61] 25.0 [7.33] 3.0	32.9 [9.64] 29.9 [8.76] 3.1	32.3 [9.47] 28.5 [8.35] 3.0	31.7 [9.29] 27.2 [7.97] 3.0
	110 [43.3]	Total BTUH [kW] Sens BTUH [kW] Power	34.4 [10.08] 22.6 [6.62] 3.3	33.8 [9.91] 21.6 [6.33] 3.2	33.2 [9.73] 20.6 [6.04] 3.2	32.4 [9.50] 26.7 [7.83] 3.2	31.8 [9.32] 25.5 [7.47] 3.2	31.2 [9.14] 24.3 [7.12] 3.2	31.2 [9.14] 29.0 [8.50] 3.2	30.7 [9.00] 27.7 [8.12] 3.2	30.1 [8.82] 26.4 [7.74] 3.2
	115 [46.1]	Total BTUH [kW] Sens BTUH [kW] Power	32.8 [9.61] 21.8 [6.39] 3.4	32.2 [9.44] 20.8 [6.10] 3.4	31.7 [9.29] 19.8 [5.80] 3.3	30.8 [9.03] 25.8 [7.56] 3.4	30.2 [8.85] 24.7 [7.24] 3.3	29.7 [8.70] 23.5 [6.89] 3.3	29.6 [8.67] 28.2 [8.26] 3.4	29.1 [8.53] 26.9 [7.88] 3.3	28.6 [8.38] 25.7 [7.53] 3.3

DR —Depression ratio  
dbE —Entering air dry bulb  
wbE—Entering air wet bulb

Total —Total capacity x 1000 BTUH  
Sens —Sensible capacity x 1000 BTUH  
Power —KW input

**NOTES:**  
When the entering air dry bulb is other than 80°F [27°C], adjust the sensible capacity from the table by adding [1.10 x CFM x (1 – DR) x (dbE – 80)].

## HEATING PERFORMANCE DATA—RQPL-036

IDB		60°F [15.5°C]			70°F [21.1°C]			80°F [26.7°C]			
CFM [L/s]		1380 [651]	1250 [590]	1120 [528]	1380 [651]	1250 [590]	1120 [528]	1380 [651]	1250 [590]	1120 [528]	
O U T D O O R  D R Y  B U L B  T E M P E R A T U R E  ° F [ ° C]	0 [-17.8]	Total BTUH [kW] Power	11.7 [3.43] 1.8	11.6 [3.40] 1.9	11.5 [3.37] 1.9	9.6 [2.81] 2.1	9.6 [2.81] 2.1	9.5 [2.78] 2.1	8.3 [2.43] 2.4	8.2 [2.40] 2.4	8.1 [2.37] 2.4
	5 [-15]	Total BTUH [kW] Power	14.1 [4.13] 1.9	14.0 [4.10] 1.9	13.9 [4.07] 1.9	12.1 [3.55] 2.1	12.0 [3.52] 2.2	11.9 [3.49] 2.2	10.7 [3.14] 2.4	10.6 [3.11] 2.5	10.6 [3.11] 2.5
	10 [-12.2]	Total BTUH [kW] Power	16.6 [4.86] 1.9	16.5 [4.84] 1.9	16.3 [4.78] 2.0	14.5 [4.25] 2.2	14.4 [4.22] 2.2	14.3 [4.19] 2.2	13.2 [3.87] 2.5	13.1 [3.84] 2.5	13.0 [3.81] 2.5
	15 [-9.4]	Total BTUH [kW] Power	19.0 [5.57] 2.0	18.9 [5.54] 2.0	18.8 [5.51] 2.0	17.0 [4.98] 2.2	16.9 [4.95] 2.2	16.7 [4.89] 2.3	15.6 [4.57] 2.5	15.5 [4.54] 2.5	15.4 [4.51] 2.6
	20 [-6.7]	Total BTUH [kW] Power	21.5 [6.30] 2.0	21.3 [6.24] 2.0	21.2 [6.21] 2.1	19.4 [5.69] 2.3	19.3 [5.66] 2.3	19.2 [5.63] 2.3	18.1 [5.30] 2.5	17.9 [5.25] 2.6	17.8 [5.22] 2.6
	25 [-3.9]	Total BTUH [kW] Power	23.9 [7.00] 2.0	23.8 [6.98] 2.1	23.6 [6.92] 2.1	21.9 [6.42] 2.3	21.7 [6.36] 2.3	21.6 [6.33] 2.4	20.5 [6.01] 2.6	20.4 [5.98] 2.6	20.2 [5.92] 2.7
	30 [-1.1]	Total BTUH [kW] Power	26.4 [7.74] 2.1	26.2 [7.68] 2.1	26.0 [7.62] 2.1	24.3 [7.12] 2.3	24.2 [7.09] 2.4	24.0 [7.03] 2.4	23.0 [6.74] 2.6	22.8 [6.68] 2.7	22.6 [6.62] 2.7
	35 [1.7]	Total BTUH [kW] Power	28.8 [8.44] 2.1	28.6 [8.38] 2.1	28.4 [8.32] 2.2	26.8 [7.85] 2.4	26.6 [7.80] 2.4	26.4 [7.74] 2.4	25.4 [7.44] 2.7	25.2 [7.39] 2.7	25.1 [7.36] 2.7
	40 [4.4]	Total BTUH [kW] Power	31.3 [9.17] 2.2	31.1 [9.11] 2.2	30.8 [9.03] 2.2	29.2 [8.56] 2.4	29.0 [8.50] 2.4	28.8 [8.44] 2.5	27.9 [8.18] 2.7	27.7 [8.12] 2.7	27.5 [8.06] 2.8
	45 [7.2]	Total BTUH [kW] Power	33.7 [9.88] 2.2	33.5 [9.82] 2.2	33.3 [9.76] 2.3	31.7 [9.29] 2.5	31.5 [9.23] 2.5	31.2 [9.14] 2.5	30.3 [8.88] 2.8	30.1 [8.82] 2.8	29.9 [8.76] 2.8
50 [10]	Total BTUH [kW] Power	36.2 [10.61] 2.2	35.9 [10.52] 2.3	35.7 [10.46] 2.3	34.1 [9.99] 2.5	33.9 [9.94] 2.5	33.7 [9.88] 2.6	32.8 [9.61] 2.8	32.5 [9.52] 2.8	32.3 [9.47] 2.9	

IDB—Indoor air dry bulb

[ ] Designates Metric Conversions

## COOLING PERFORMANCE DATA—RQPL-042

ENTERING INDOOR AIR @ 80°F [26.7°C] dbE ①											
wbE		71°F [21.7°C]			67°F [19.4°C]			63°F [17.2°C]			
CFM [L/s]		1540 [727]	1400 [661]	1260 [595]	1540 [727]	1400 [661]	1260 [595]	1540 [727]	1400 [661]	1260 [595]	
DR		0.09	0.11	0.13	0.09	0.11	0.13	0.09	0.11	0.13	
OUTDOOR DRY BULB TEMPERATURE °F [°C]	75 [23.9]	Total BTUH [kW] Sens BTUH [kW] Power	54.1 [15.9] 32.4 [9.5] 2.8	53.2 [15.6] 30.1 [8.8] 2.8	52.2 [15.3] 27.7 [8.1] 2.8	50.3 [14.7] 37.9 [11.1] 2.8	49.4 [14.5] 35.3 [10.3] 2.8	48.5 [14.2] 32.8 [9.6] 2.8	46.8 [13.7] 41.6 [12.2] 2.8	46.0 [13.5] 38.9 [11.4] 2.8	45.1 [13.2] 36.2 [10.6] 2.7
	80 [26.7]	Total BTUH [kW] Sens BTUH [kW] Power	49.7 [14.6] 30.5 [8.9] 3.3	48.8 [14.3] 28.2 [8.3] 3.3	47.9 [14.0] 26.0 [7.6] 3.3	45.9 [13.4] 35.8 [10.5] 3.3	45.1 [13.2] 33.4 [9.8] 3.3	44.2 [13.0] 31.0 [9.1] 3.3	42.4 [12.4] 39.5 [11.6] 3.3	41.6 [12.2] 36.9 [10.8] 3.3	40.9 [12.0] 34.5 [10.1] 3.2
	85 [29.4]	Total BTUH [kW] Sens BTUH [kW] Power	44.7 [13.1] 27.7 [8.1] 3.9	43.9 [12.9] 25.7 [7.5] 3.9	43.1 [12.6] 23.7 [6.9] 3.9	40.8 [12.0] 33.1 [9.7] 3.9	40.1 [11.7] 30.9 [9.1] 3.9	39.4 [11.5] 28.8 [8.4] 3.8	37.4 [11.0] 36.8 [10.8] 3.9	36.7 [10.8] 34.5 [10.1] 3.9	36.0 [10.5] 32.2 [9.4] 3.8
	90 [32.2]	Total BTUH [kW] Sens BTUH [kW] Power	54.2 [15.9] 32.6 [9.6] 3.4	53.2 [15.6] 31.1 [9.1] 3.4	52.3 [15.3] 29.7 [8.7] 3.4	50.1 [14.7] 38.7 [11.3] 3.4	49.2 [14.4] 36.9 [10.8] 3.4	48.3 [14.1] 35.2 [10.3] 3.3	46.2 [13.5] 42.9 [12.6] 3.3	45.3 [13.3] 41.0 [12.0] 3.3	44.5 [13.0] 39.1 [11.5] 3.3
	95 [35.0]	Total BTUH [kW] Sens BTUH [kW] Power	52.5 [15.4] 31.8 [9.3] 3.6	51.6 [15.1] 30.4 [8.9] 3.6	50.6 [14.8] 28.9 [8.5] 3.6	48.4 [14.2] 37.8 [11.1] 3.6	47.5 [13.9] 36.2 [10.6] 3.6	46.6 [13.7] 34.5 [10.1] 3.5	44.5 [13.0] 42.1 [12.3] 3.6	43.7 [12.8] 40.2 [11.8] 3.5	42.9 [12.6] 38.4 [11.2] 3.5
	100 [37.8]	Total BTUH [kW] Sens BTUH [kW] Power	50.8 [14.9] 31.0 [9.1] 3.8	49.9 [14.6] 29.6 [8.7] 3.8	49.0 [14.4] 28.2 [8.3] 3.8	46.7 [13.7] 37.0 [10.9] 3.8	45.8 [13.4] 35.4 [10.4] 3.8	45.0 [13.2] 33.7 [9.9] 3.7	42.8 [12.5] 41.3 [12.1] 3.8	42.0 [12.3] 39.5 [11.6] 3.8	41.2 [12.1] 37.6 [11.0] 3.7
	105 [40.6]	Total BTUH [kW] Sens BTUH [kW] Power	49.1 [14.4] 30.2 [8.8] 4.1	48.2 [14.1] 28.8 [8.4] 4.0	47.3 [13.9] 27.5 [8.1] 4.0	44.9 [13.2] 36.2 [10.6] 4.1	44.1 [12.9] 34.6 [10.1] 4.0	43.3 [12.7] 33.0 [9.7] 4.0	41.0 [12.0] 40.5 [11.9] 4.0	40.3 [11.8] 38.7 [11.3] 4.0	39.6 [11.6] 36.9 [10.8] 4.0
	110 [43.3]	Total BTUH [kW] Sens BTUH [kW] Power	47.4 [13.9] 29.4 [8.6] 4.3	46.5 [13.6] 28.1 [8.2] 4.3	45.7 [13.4] 26.8 [7.8] 4.3	43.2 [12.7] 35.4 [10.4] 4.3	42.5 [12.4] 33.9 [9.9] 4.3	41.7 [12.2] 32.3 [9.5] 4.2	39.3 [11.5] 39.3 [11.5] 4.3	38.6 [11.3] 37.9 [11.1] 4.2	37.9 [11.1] 36.2 [10.6] 4.2
	115 [46.1]	Total BTUH [kW] Sens BTUH [kW] Power	45.6 [13.4] 28.6 [8.4] 4.6	44.8 [13.1] 27.3 [8.0] 4.6	44.0 [12.9] 26.0 [7.6] 4.5	41.5 [12.2] 34.7 [10.2] 4.6	40.8 [11.9] 33.1 [9.7] 4.5	40.0 [11.7] 31.6 [9.2] 4.5	37.6 [11.0] 37.6 [11.0] 4.5	36.9 [10.8] 36.9 [10.8] 4.5	36.2 [10.6] 35.5 [10.4] 4.5

DR —Depression ratio  
dbE —Entering air dry bulb  
wbE—Entering air wet bulb

Total —Total capacity x 1000 BTUH  
Sens —Sensible capacity x 1000 BTUH  
Power—KW input

**NOTES:**

When the entering air dry bulb is other than 80°F [27°C], adjust the sensible capacity from the table by adding  $[1.10 \times \text{CFM} \times (1 - \text{DR}) \times (\text{dbE} - 80)]$ .

## HEATING PERFORMANCE DATA—RQPL-042

IDB		60°F [15.5°C]			70°F [21.1°C]			80°F [26.7°C]			
CFM [L/s]		1600 [755]	1375 [649]	1200 [566]	1600 [755]	1375 [649]	1200 [566]	1600 [755]	1375 [649]	1200 [566]	
OUTDOOR DRY BULB TEMPERATURE °F [°C]	0 [-17.8]	Total BTUH [kW] Power	12.4 [3.6] 2.6	12.2 [3.6] 2.6	12.1 [3.5] 2.7	11.6 [3.4] 2.8	11.5 [3.4] 2.8	11.4 [3.3] 2.9	10.8 [3.2] 3.4	10.7 [3.1] 3.4	10.6 [3.1] 3.5
	5 [-15]	Total BTUH [kW] Power	15.3 [4.5] 2.6	15.2 [4.5] 2.7	15.0 [4.4] 2.7	14.6 [4.3] 2.8	14.4 [4.2] 2.9	14.3 [4.2] 3.0	13.8 [4.0] 3.4	13.6 [4.0] 3.5	13.5 [4.0] 3.6
	10 [-12.2]	Total BTUH [kW] Power	18.3 [5.4] 2.7	18.1 [5.3] 2.8	17.9 [5.2] 2.8	17.5 [5.1] 2.9	17.3 [5.1] 3.0	17.2 [5.0] 3.0	16.7 [4.9] 3.5	16.6 [4.9] 3.6	16.4 [4.8] 3.6
	15 [-9.4]	Total BTUH [kW] Power	21.3 [6.2] 2.8	21.0 [6.2] 2.8	20.8 [6.1] 2.9	20.5 [6.0] 3.0	20.2 [5.9] 3.0	20.1 [5.9] 3.1	19.7 [5.8] 3.6	19.5 [5.7] 3.6	19.3 [5.7] 3.7
	20 [-6.7]	Total BTUH [kW] Power	24.2 [7.1] 2.8	23.9 [7.0] 2.9	23.7 [6.9] 2.9	23.4 [6.9] 3.0	23.2 [6.8] 3.1	23.0 [6.7] 3.2	22.7 [6.7] 3.6	22.4 [6.6] 3.7	22.2 [6.5] 3.8
	25 [-3.9]	Total BTUH [kW] Power	27.2 [8.0] 2.9	26.9 [7.9] 3.0	26.6 [7.8] 3.0	26.4 [7.7] 3.1	26.1 [7.6] 3.2	25.9 [7.6] 3.2	25.6 [7.5] 3.7	25.3 [7.4] 3.8	25.1 [7.4] 3.8
	30 [-1.1]	Total BTUH [kW] Power	30.1 [8.8] 3.0	29.8 [8.7] 3.0	29.5 [8.6] 3.1	29.4 [8.6] 3.2	29.0 [8.5] 3.2	28.8 [8.4] 3.3	28.6 [8.4] 3.8	28.3 [8.3] 3.8	28.0 [8.2] 3.9
	35 [1.7]	Total BTUH [kW] Power	33.1 [9.7] 3.0	32.7 [9.6] 3.1	32.4 [9.5] 3.1	32.3 [9.5] 3.2	32.0 [9.4] 3.3	31.7 [9.3] 3.4	31.5 [9.2] 3.8	31.2 [9.1] 3.9	30.9 [9.1] 4.0
	40 [4.4]	Total BTUH [kW] Power	36.1 [10.6] 3.1	35.6 [10.4] 3.2	35.3 [10.3] 3.2	35.3 [10.3] 3.3	34.9 [10.2] 3.4	34.6 [10.1] 3.4	34.5 [10.1] 3.9	34.1 [10.0] 4.0	33.8 [9.9] 4.0
	45 [7.2]	Total BTUH [kW] Power	39.0 [11.4] 3.2	38.6 [11.3] 3.2	38.2 [11.2] 3.3	38.2 [11.2] 3.4	37.8 [11.1] 3.4	37.5 [11.0] 3.5	37.5 [11.0] 3.9	37.0 [10.8] 4.0	36.7 [10.8] 4.1
50 [10]	Total BTUH [kW] Power	42.0 [12.3] 3.2	41.5 [12.2] 3.3	41.1 [12.0] 3.3	41.2 [12.1] 3.4	40.7 [11.9] 3.5	40.4 [11.8] 3.6	40.4 [11.8] 4.0	40.0 [11.7] 4.1	39.6 [11.6] 4.2	

IDB—Indoor air dry bulb

[ ] Designates Metric Conversions

**COOLING PERFORMANCE DATA — RQPL-B049C**

		ENTERING INDOOR AIR @ 80°F [26.7°C] dB <sub>E</sub> Ⓢ														
		71°F [21.7°C]			67°F [19.4°C]			63°F [17.2°C]			61°F [16.1°C]			59°F [15.0°C]		
wBE	CFM [L/s]	1760 [831]	1600 [755]	1440 [680]	1760 [831]	1600 [755]	1440 [680]	1760 [831]	1600 [755]	1440 [680]	1760 [831]	1600 [755]	1440 [680]	1760 [831]	1600 [755]	1440 [680]
	DR	0.14	0.12	0.1	0.14	0.12	0.1	0.14	0.12	0.1	0.14	0.12	0.1	0.14	0.12	0.1
75 [23.9]	Total BTUH [kW]	59.3 [17.4]	58.2 [17.1]	57.1 [16.7]	55.3 [16.1]	54.1 [15.9]	53.1 [15.6]	49.4 [14.5]	48.5 [14.2]	47.6 [14.0]	47.8 [14.0]	46.1 [13.5]	46.0 [13.5]	46.9 [13.7]	46.9 [13.7]	46.0 [13.5]
	Sens BTUH [kW] Power	35.1 [10.3] 2.9	33.5 [9.8] 2.8	32.0 [9.4] 2.8	41.1 [12.1] 2.8	39.3 [11.5] 2.8	45.4 [13.3] 2.8	41.4 [12.1] 2.7	46.6 [13.7] 2.8	44.6 [13.1] 2.8	42.5 [12.4] 2.7	47.0 [13.8] 2.8	46.1 [13.5] 2.9	42.8 [12.6] 2.7	44.9 [13.2] 2.7	42.8 [12.6] 2.7
80 [26.7]	Total BTUH [kW]	57.6 [16.9]	56.5 [16.6]	55.5 [16.3]	53.4 [15.7]	52.5 [15.4]	51.5 [15.1]	49.5 [14.5]	48.6 [14.3]	47.7 [14.0]	47.8 [14.0]	46.1 [13.5]	46.1 [13.5]	45.3 [13.3]	45.3 [13.3]	44.4 [13.0]
	Sens BTUH [kW] Power	34.3 [10.0] 3.0	32.7 [9.6] 3.0	31.2 [9.1] 3.0	40.3 [11.8] 3.0	38.5 [11.3] 3.0	44.6 [13.1] 3.0	40.6 [11.9] 2.9	45.8 [13.4] 3.0	43.8 [12.8] 2.9	41.7 [12.2] 2.9	46.1 [13.5] 2.9	46.1 [13.5] 2.9	44.1 [12.9] 2.9	44.1 [12.9] 2.9	44.1 [12.9] 2.9
85 [29.4]	Total BTUH [kW]	55.9 [16.4]	54.9 [16.1]	53.9 [15.8]	51.8 [15.2]	50.8 [14.9]	49.9 [14.6]	47.8 [14.0]	47.0 [13.8]	46.1 [13.5]	46.1 [13.5]	44.4 [13.0]	44.4 [13.0]	43.6 [12.8]	43.6 [12.8]	42.8 [12.5]
	Sens BTUH [kW] Power	33.4 [9.8] 3.2	31.9 [9.4] 3.2	30.4 [8.9] 3.2	39.5 [11.6] 3.2	37.7 [11.1] 3.2	43.8 [12.8] 3.2	39.9 [11.7] 3.1	45.0 [13.2] 3.1	43.0 [12.6] 3.1	41.0 [12.0] 3.1	44.4 [13.0] 3.1	44.4 [13.0] 3.1	41.0 [12.0] 3.1	41.0 [12.0] 3.1	41.0 [12.0] 3.1
90 [32.2]	Total BTUH [kW]	54.2 [15.9]	53.2 [15.6]	52.3 [15.3]	50.1 [14.7]	49.2 [14.4]	48.3 [14.1]	46.2 [13.5]	45.3 [13.3]	44.4 [13.0]	44.5 [13.0]	42.7 [12.5]	42.7 [12.5]	41.9 [12.3]	41.9 [12.3]	41.2 [12.1]
	Sens BTUH [kW] Power	32.6 [9.6] 3.4	31.1 [9.1] 3.4	29.7 [8.7] 3.4	38.7 [11.3] 3.4	36.9 [10.8] 3.4	42.9 [12.6] 3.3	39.1 [11.5] 3.3	44.1 [12.9] 3.3	42.2 [12.4] 3.3	40.2 [11.8] 3.3	42.7 [12.5] 3.3	42.7 [12.5] 3.3	41.4 [12.1] 3.3	41.4 [12.1] 3.3	41.4 [12.1] 3.3
95 [35.0]	Total BTUH [kW]	52.5 [15.4]	51.6 [15.1]	50.6 [14.8]	48.4 [14.2]	47.5 [13.9]	46.6 [13.7]	44.5 [13.0]	43.7 [12.8]	42.9 [12.6]	42.9 [12.6]	41.0 [12.0]	41.0 [12.0]	41.0 [12.0]	41.0 [12.0]	40.3 [11.8]
	Sens BTUH [kW] Power	31.8 [9.3] 3.6	30.4 [8.9] 3.6	28.9 [8.5] 3.6	37.8 [11.1] 3.6	36.2 [10.6] 3.6	42.1 [12.3] 3.6	38.4 [11.2] 3.5	42.7 [12.5] 3.5	41.4 [12.1] 3.5	39.5 [11.6] 3.5	41.0 [12.0] 3.5	41.0 [12.0] 3.5	39.5 [11.6] 3.5	39.5 [11.6] 3.5	39.5 [11.6] 3.5
100 [37.8]	Total BTUH [kW]	50.8 [14.9]	49.9 [14.6]	49.0 [14.4]	46.7 [13.7]	45.8 [13.4]	45.0 [13.2]	42.8 [12.5]	42.0 [12.3]	41.2 [12.1]	41.2 [12.1]	39.3 [11.5]	39.3 [11.5]	38.6 [11.3]	38.6 [11.3]	37.9 [11.1]
	Sens BTUH [kW] Power	31.0 [9.1] 3.8	29.6 [8.7] 3.8	28.2 [8.3] 3.8	37.0 [10.9] 3.8	35.4 [10.4] 3.8	41.3 [12.1] 3.8	37.6 [11.0] 3.7	41.0 [12.0] 3.8	40.2 [11.8] 3.8	38.7 [11.3] 3.7	39.3 [11.5] 3.8	39.3 [11.5] 3.8	38.6 [11.3] 3.7	38.6 [11.3] 3.7	37.9 [11.1] 3.7
105 [40.6]	Total BTUH [kW]	49.1 [14.4]	48.2 [14.1]	47.3 [13.9]	44.9 [13.2]	44.1 [12.9]	43.3 [12.7]	41.0 [12.0]	40.3 [11.8]	39.6 [11.6]	39.6 [11.6]	37.8 [11.1]	37.8 [11.1]	37.6 [11.0]	37.6 [11.0]	36.9 [10.8]
	Sens BTUH [kW] Power	30.2 [8.8] 4.1	28.8 [8.4] 4.0	27.5 [8.1] 4.0	36.2 [10.6] 4.1	34.6 [10.1] 4.0	40.5 [11.9] 4.0	36.9 [10.8] 4.0	41.0 [12.0] 4.0	38.7 [11.3] 4.0	36.9 [10.8] 4.0	39.2 [11.5] 4.0	39.2 [11.5] 4.0	38.5 [11.3] 4.0	38.5 [11.3] 4.0	36.9 [10.8] 4.0
110 [43.3]	Total BTUH [kW]	47.4 [13.9]	46.5 [13.6]	45.7 [13.4]	43.2 [12.7]	42.5 [12.4]	41.7 [12.2]	39.3 [11.5]	38.6 [11.3]	37.9 [11.1]	37.9 [11.1]	36.2 [10.6]	36.2 [10.6]	35.2 [10.3]	35.2 [10.3]	34.6 [10.1]
	Sens BTUH [kW] Power	29.4 [8.6] 4.3	28.1 [8.2] 4.3	26.8 [7.8] 4.3	35.4 [10.4] 4.3	33.9 [9.9] 4.3	39.3 [11.5] 4.3	36.2 [10.6] 4.2	37.5 [11.0] 4.3	36.9 [10.8] 4.3	35.9 [10.5] 4.2	37.5 [11.0] 4.3	37.5 [11.0] 4.3	36.9 [10.8] 4.2	36.9 [10.8] 4.2	35.2 [10.3] 4.2
115 [46.1]	Total BTUH [kW]	45.6 [13.4]	44.8 [13.1]	44.0 [12.9]	41.5 [12.2]	40.8 [11.9]	40.0 [11.7]	37.6 [11.0]	36.9 [10.8]	36.2 [10.6]	36.2 [10.6]	34.5 [10.1]	34.5 [10.1]	33.5 [9.8]	33.5 [9.8]	32.9 [9.6]
	Sens BTUH [kW] Power	28.6 [8.4] 4.6	27.3 [8.0] 4.6	26.0 [7.6] 4.5	34.7 [10.2] 4.6	33.1 [9.7] 4.5	37.6 [11.0] 4.5	35.5 [10.4] 4.5	35.8 [10.5] 4.5	35.2 [10.3] 4.5	34.5 [10.1] 4.4	34.1 [10.0] 4.5	34.1 [10.0] 4.5	33.5 [9.8] 4.5	33.5 [9.8] 4.5	32.9 [9.6] 4.4
120 [48.9]	Total BTUH [kW]	43.9 [12.9]	43.1 [12.6]	42.3 [12.4]	39.8 [11.7]	39.0 [11.4]	38.3 [11.2]	35.9 [10.5]	35.2 [10.3]	34.6 [10.1]	34.6 [10.1]	32.8 [9.6]	32.8 [9.6]	31.8 [9.3]	31.8 [9.3]	31.2 [9.2]
	Sens BTUH [kW] Power	27.8 [8.2] 4.9	26.6 [7.8] 4.8	25.3 [7.4] 4.8	33.9 [9.9] 4.8	30.9 [9.0] 4.8	35.9 [10.5] 4.8	34.6 [10.1] 4.7	35.2 [10.3] 4.8	33.4 [9.8] 4.8	32.8 [9.6] 4.7	32.4 [9.5] 4.8	32.4 [9.5] 4.8	31.8 [9.3] 4.7	31.8 [9.3] 4.7	31.2 [9.2] 4.7
125 [51.7]	Total BTUH [kW]	42.2 [12.4]	41.4 [12.1]	40.7 [11.9]	38.0 [11.1]	37.3 [10.9]	36.7 [10.7]	34.1 [10.0]	33.5 [9.8]	32.9 [9.6]	32.9 [9.6]	31.2 [9.3]	31.2 [9.3]	30.1 [8.8]	30.1 [8.8]	29.6 [8.7]
	Sens BTUH [kW] Power	27.0 [7.9] 5.2	25.8 [7.6] 5.1	24.6 [7.2] 5.1	33.1 [9.7] 5.1	31.6 [9.3] 5.1	34.1 [10.0] 5.1	30.1 [8.8] 5.1	33.5 [9.8] 5.1	33.5 [9.8] 5.1	32.9 [9.6] 5.1	32.3 [9.5] 5.1	32.3 [9.5] 5.1	30.1 [8.8] 5.0	30.1 [8.8] 5.0	29.6 [8.7] 5.0

**NOTES:**  
 Total — Total capacity x 1000 BTUH  
 Sens — Sensible capacity x 1000 BTUH  
 Power — KW input  
 DR — Depression ratio  
 dB<sub>E</sub> — Entering air dry bulb  
 wBE — Entering air wet bulb

When the entering air dry bulb is other than 80°F [27°C], adjust the sensible capacity from the table by adding [1.10 x CFM x (1 – DR) x (dB<sub>E</sub> – 80)].



## HEATING PERFORMANCE DATA—RQPL-B049C

IDB		60°F [15.5°C]			70°F [21.1°C]			80°F [26.7°C]			
		CFM [L/s]	1760 [831]	1600 [755]	1440 [680]	1760 [831]	1600 [755]	1440 [680]	1760 [831]	1600 [755]	1440 [680]
O U T D O O R  D R Y  B U L B  T E M P E R A T U R E  ° F [ ° C]	<b>0</b> [-17.8]	<b>Total BTUH [kW]</b> <b>Power</b>	15.9 [4.7] 2.5	15.8 [4.6] 2.5	15.7 [4.6] 2.5	14.5 [4.3] 2.9	14.4 [4.2] 2.9	14.3 [4.2] 2.9	13.2 [3.9] 3.2	13.1 [3.8] 3.3	13.0 [3.8] 3.3
	<b>5</b> [-15]	<b>Total BTUH [kW]</b> <b>Power</b>	19.1 [5.6] 2.5	19.0 [5.6] 2.6	18.8 [5.5] 2.6	17.8 [5.2] 2.9	17.6 [5.2] 3.0	17.5 [5.1] 3.0	16.4 [4.8] 3.3	16.3 [4.8] 3.3	16.2 [4.7] 3.4
	<b>10</b> [-12.2]	<b>Total BTUH [kW]</b> <b>Power</b>	22.3 [6.5] 2.6	22.2 [6.5] 2.6	22.0 [6.4] 2.7	21.0 [6.2] 3.0	20.8 [6.1] 3.0	20.7 [6.1] 3.0	19.7 [5.8] 3.4	19.5 [5.7] 3.4	19.4 [5.7] 3.4
	<b>15</b> [-9.4]	<b>Total BTUH [kW]</b> <b>Power</b>	25.5 [7.5] 2.7	25.4 [7.4] 2.7	25.2 [7.4] 2.7	24.2 [7.1] 3.0	24.0 [7.0] 3.1	23.9 [7.0] 3.1	22.9 [6.7] 3.4	22.7 [6.7] 3.5	22.5 [6.6] 3.5
	<b>20</b> [-6.7]	<b>Total BTUH [kW]</b> <b>Power</b>	28.8 [8.4] 2.7	28.6 [8.4] 2.7	28.4 [8.3] 2.8	27.4 [8.0] 3.1	27.2 [8.0] 3.1	27.0 [7.9] 3.2	26.1 [7.6] 3.5	25.9 [7.6] 3.5	25.7 [7.5] 3.6
	<b>25</b> [-3.9]	<b>Total BTUH [kW]</b> <b>Power</b>	32.0 [9.4] 2.8	31.8 [9.3] 2.8	31.5 [9.2] 2.8	30.6 [9.0] 3.1	30.4 [8.9] 3.2	30.2 [8.9] 3.2	29.3 [8.6] 3.5	29.1 [8.5] 3.6	28.9 [8.5] 3.6
	<b>30</b> [-1.1]	<b>Total BTUH [kW]</b> <b>Power</b>	35.2 [10.3] 2.8	35.0 [10.2] 2.9	34.7 [10.2] 2.9	33.9 [9.9] 3.2	33.6 [9.9] 3.2	33.4 [9.8] 3.3	32.5 [9.5] 3.6	32.3 [9.5] 3.6	32.1 [9.4] 3.7
	<b>35</b> [1.7]	<b>Total BTUH [kW]</b> <b>Power</b>	38.4 [11.3] 2.9	38.2 [11.2] 2.9	37.9 [11.1] 2.9	37.1 [10.9] 3.3	36.8 [10.8] 3.3	36.6 [10.7] 3.3	35.8 [10.5] 3.6	35.5 [10.4] 3.7	35.2 [10.3] 3.7
	<b>40</b> [4.4]	<b>Total BTUH [kW]</b> <b>Power</b>	41.6 [12.2] 2.9	41.4 [12.1] 3.0	41.1 [12.0] 3.0	40.3 [11.8] 3.3	40.0 [11.7] 3.3	39.7 [11.6] 3.4	39.0 [11.4] 3.7	38.7 [11.3] 3.7	38.4 [11.3] 3.8
	<b>45</b> [7.2]	<b>Total BTUH [kW]</b> <b>Power</b>	44.9 [13.1] 3.0	44.5 [13.1] 3.0	44.2 [13.0] 3.1	43.5 [12.8] 3.4	43.2 [12.7] 3.4	42.9 [12.6] 3.4	42.2 [12.4] 3.7	41.9 [12.3] 3.8	41.6 [12.2] 3.8
<b>50</b> [10]	<b>Total BTUH [kW]</b> <b>Power</b>	48.1 [14.1] 3.0	47.7 [14.0] 3.1	47.4 [13.9] 3.1	46.7 [13.7] 3.4	46.4 [13.6] 3.5	46.1 [13.5] 3.5	45.4 [13.3] 3.8	45.1 [13.2] 3.9	44.8 [13.1] 3.9	

IDB—Indoor air dry bulb

[ ] Designates Metric Conversions

# COOLING PERFORMANCE DATA — RQPL-B049J

		ENTERING INDOOR AIR @ 80°F [26.7°C] dBE $\phi$														
		71°F [21.7°C]			67°F [19.4°C]			63°F [17.2°C]			61°F [16.1°C]			59°F [15.0°C]		
CFM [L/s]		1760 [831]	1440 [680]	1600 [755]	1760 [831]	1600 [755]	1440 [680]	1760 [831]	1600 [755]	1440 [680]	1760 [831]	1600 [755]	1440 [680]	1760 [831]	1600 [755]	1440 [680]
DR		0.14	0.1	0.12	0.14	0.12	0.1	0.14	0.12	0.1	0.14	0.12	0.1	0.14	0.12	0.1
75 [23.9]	Total BTUH [kW]	59.3 [17.4]	57.1 [16.7]	54.1 [15.9]	55.1 [16.1]	52.5 [15.4]	51.5 [15.1]	53.1 [15.6]	49.4 [14.5]	47.8 [14.0]	49.4 [14.5]	46.9 [13.7]	47.8 [14.0]	47.8 [14.0]	46.9 [13.7]	46.0 [13.5]
	Sens BTUH [kW] Power	35.1 [10.3] 2.9	32.0 [9.4] 2.8	39.3 [11.5] 2.8	41.1 [12.1] 2.8	39.3 [11.5] 2.8	38.5 [11.3] 2.9	37.5 [11.0] 2.8	41.4 [12.1] 2.7	46.6 [13.7] 2.8	44.6 [13.1] 2.8	46.6 [13.7] 2.8	44.6 [13.1] 2.8	47.0 [13.8] 2.8	44.9 [13.2] 2.7	44.9 [13.2] 2.7
80 [26.7]	Total BTUH [kW]	57.6 [16.9]	55.5 [16.3]	52.5 [15.4]	53.4 [15.7]	50.8 [14.9]	51.5 [15.1]	53.1 [15.6]	49.5 [14.5]	47.8 [14.0]	49.5 [14.5]	46.9 [13.7]	47.8 [14.0]	47.8 [14.0]	46.9 [13.7]	44.4 [13.0]
	Sens BTUH [kW] Power	34.3 [10.0] 3.0	31.2 [9.1] 3.0	38.5 [11.3] 3.0	40.3 [11.8] 3.0	38.5 [11.3] 2.9	37.7 [11.1] 3.2	36.0 [10.5] 3.1	40.6 [11.9] 2.9	45.8 [13.4] 3.0	43.8 [12.8] 2.9	45.8 [13.4] 3.0	43.8 [12.8] 2.9	46.1 [13.5] 2.9	44.1 [12.9] 2.9	44.1 [12.9] 2.9
85 [29.4]	Total BTUH [kW]	55.9 [16.4]	53.9 [15.8]	50.8 [14.9]	51.8 [15.2]	49.2 [14.4]	49.9 [14.6]	51.5 [15.1]	47.8 [14.0]	46.1 [13.5]	47.8 [14.0]	45.2 [13.3]	46.1 [13.5]	46.1 [13.5]	45.2 [13.3]	42.8 [12.5]
	Sens BTUH [kW] Power	33.4 [9.8] 3.2	30.4 [8.9] 3.2	37.7 [11.1] 3.2	39.5 [11.6] 3.2	37.7 [11.1] 3.4	37.0 [10.9] 3.4	36.0 [10.5] 3.3	40.6 [11.9] 2.9	45.8 [13.4] 3.0	43.8 [12.8] 2.9	45.8 [13.4] 3.0	43.8 [12.8] 2.9	46.1 [13.5] 2.9	44.4 [13.0] 3.1	44.4 [13.0] 3.1
90 [32.2]	Total BTUH [kW]	54.2 [15.9]	52.3 [15.3]	49.2 [14.4]	50.1 [14.7]	47.5 [13.9]	48.3 [14.1]	50.1 [14.7]	46.2 [13.5]	44.5 [13.0]	46.2 [13.5]	43.6 [12.8]	44.5 [13.0]	44.5 [13.0]	43.6 [12.8]	41.2 [12.1]
	Sens BTUH [kW] Power	32.6 [9.6] 3.4	29.7 [8.7] 3.4	36.9 [10.8] 3.4	38.7 [11.3] 3.4	36.9 [10.8] 3.6	36.2 [10.6] 3.5	35.2 [10.3] 3.3	40.6 [11.9] 2.9	45.8 [13.4] 3.0	43.8 [12.8] 2.9	45.8 [13.4] 3.0	43.8 [12.8] 2.9	46.1 [13.5] 2.9	44.4 [13.0] 3.3	44.4 [13.0] 3.3
95 [35.0]	Total BTUH [kW]	52.5 [15.4]	50.6 [14.8]	47.5 [13.9]	48.4 [14.2]	45.8 [13.7]	46.6 [13.7]	48.4 [14.2]	44.5 [13.0]	42.9 [12.6]	44.5 [13.0]	41.9 [12.3]	42.9 [12.6]	42.9 [12.6]	41.9 [12.3]	39.5 [11.6]
	Sens BTUH [kW] Power	31.8 [9.3] 3.6	28.9 [8.5] 3.6	36.2 [10.6] 3.6	37.8 [11.1] 3.6	36.2 [10.6] 3.5	35.4 [10.4] 3.7	34.5 [10.1] 3.5	40.6 [11.9] 2.9	45.8 [13.4] 3.0	43.8 [12.8] 2.9	45.8 [13.4] 3.0	43.8 [12.8] 2.9	46.1 [13.5] 2.9	44.4 [13.0] 3.5	44.4 [13.0] 3.5
100 [37.8]	Total BTUH [kW]	50.8 [14.9]	49.0 [14.4]	45.8 [13.7]	46.7 [13.7]	44.2 [12.9]	45.0 [13.2]	46.7 [13.7]	42.8 [12.5]	41.2 [12.1]	42.8 [12.5]	40.2 [11.8]	41.2 [12.1]	41.2 [12.1]	39.3 [11.5]	37.9 [11.1]
	Sens BTUH [kW] Power	31.0 [9.1] 3.8	28.2 [8.3] 3.8	35.4 [10.4] 3.8	37.0 [10.9] 3.8	35.4 [10.4] 4.0	34.7 [10.2] 4.0	33.7 [9.9] 3.7	40.6 [11.9] 2.9	45.8 [13.4] 3.0	43.8 [12.8] 2.9	45.8 [13.4] 3.0	43.8 [12.8] 2.9	46.1 [13.5] 2.9	44.4 [13.0] 3.8	44.4 [13.0] 3.8
105 [40.6]	Total BTUH [kW]	49.1 [14.4]	47.3 [13.9]	44.1 [12.9]	44.9 [13.2]	41.5 [12.4]	43.3 [12.7]	44.9 [13.2]	41.0 [12.0]	39.6 [11.6]	41.0 [12.0]	38.5 [11.3]	39.6 [11.6]	39.6 [11.6]	37.6 [11.0]	36.2 [10.6]
	Sens BTUH [kW] Power	30.2 [8.8] 4.1	27.5 [8.1] 4.0	34.6 [10.1] 4.0	36.2 [10.6] 4.1	34.6 [10.1] 4.3	33.9 [9.9] 4.3	33.0 [9.7] 4.0	40.6 [11.9] 2.9	45.8 [13.4] 3.0	43.8 [12.8] 2.9	45.8 [13.4] 3.0	43.8 [12.8] 2.9	46.1 [13.5] 2.9	44.4 [13.0] 4.0	44.4 [13.0] 4.0
110 [43.3]	Total BTUH [kW]	47.4 [13.9]	45.7 [13.4]	42.5 [12.4]	43.2 [12.7]	40.8 [11.9]	41.7 [12.2]	43.2 [12.7]	39.3 [11.5]	37.9 [11.1]	39.3 [11.5]	36.9 [10.8]	37.9 [11.1]	37.9 [11.1]	35.9 [10.5]	34.6 [10.1]
	Sens BTUH [kW] Power	29.4 [8.6] 4.3	26.8 [7.8] 4.3	33.9 [9.9] 4.3	35.4 [10.4] 4.3	33.9 [9.9] 4.5	33.1 [9.7] 4.5	32.3 [9.5] 4.2	40.6 [11.9] 2.9	45.8 [13.4] 3.0	43.8 [12.8] 2.9	45.8 [13.4] 3.0	43.8 [12.8] 2.9	46.1 [13.5] 2.9	44.4 [13.0] 4.2	44.4 [13.0] 4.2
115 [46.1]	Total BTUH [kW]	45.6 [13.4]	44.0 [12.9]	40.8 [11.9]	41.5 [12.2]	39.3 [11.5]	40.0 [11.7]	41.5 [12.2]	37.6 [11.0]	36.2 [10.6]	37.6 [11.0]	35.2 [10.3]	36.2 [10.6]	36.2 [10.6]	34.1 [10.0]	32.9 [9.6]
	Sens BTUH [kW] Power	28.6 [8.4] 4.6	26.0 [7.6] 4.5	33.1 [9.7] 4.5	34.7 [10.2] 4.6	33.1 [9.7] 4.5	31.6 [9.2] 4.5	30.9 [9.0] 4.8	40.6 [11.9] 2.9	45.8 [13.4] 3.0	43.8 [12.8] 2.9	45.8 [13.4] 3.0	43.8 [12.8] 2.9	46.1 [13.5] 2.9	44.4 [13.0] 4.5	44.4 [13.0] 4.5
120 [48.9]	Total BTUH [kW]	43.9 [12.9]	42.3 [12.4]	39.0 [11.4]	39.8 [11.7]	36.9 [10.8]	38.3 [11.2]	39.8 [11.7]	35.9 [10.5]	34.6 [10.1]	35.9 [10.5]	33.4 [9.8]	34.6 [10.1]	34.6 [10.1]	32.4 [9.5]	31.2 [9.2]
	Sens BTUH [kW] Power	27.8 [8.2] 4.9	25.3 [7.4] 4.8	32.9 [9.6] 4.8	33.9 [9.9] 4.8	32.9 [9.6] 4.8	31.6 [9.2] 4.8	30.9 [9.0] 4.8	40.6 [11.9] 2.9	45.8 [13.4] 3.0	43.8 [12.8] 2.9	45.8 [13.4] 3.0	43.8 [12.8] 2.9	46.1 [13.5] 2.9	44.4 [13.0] 4.7	44.4 [13.0] 4.7
125 [51.7]	Total BTUH [kW]	42.2 [12.4]	40.7 [11.9]	37.3 [10.9]	38.0 [11.1]	35.7 [10.7]	36.7 [10.7]	38.0 [11.1]	34.1 [10.0]	32.9 [9.6]	34.1 [10.0]	31.7 [9.3]	32.9 [9.6]	32.9 [9.6]	30.7 [9.0]	29.6 [8.7]
	Sens BTUH [kW] Power	27.0 [7.9] 5.2	24.6 [7.2] 5.1	31.6 [9.3] 5.1	33.1 [9.7] 5.1	31.6 [9.3] 5.1	30.1 [8.8] 5.1	30.1 [8.8] 5.1	40.6 [11.9] 2.9	45.8 [13.4] 3.0	43.8 [12.8] 2.9	45.8 [13.4] 3.0	43.8 [12.8] 2.9	46.1 [13.5] 2.9	44.4 [13.0] 5.0	44.4 [13.0] 5.0

DR —Depression ratio  
dBE —Entering air dry bulb  
wBE—Entering air wet bulb

NOTES:  
Total —Total capacity x 1000 BTUH  
Sens —Sensible capacity x 1000 BTUH  
Power —KW input

When the entering air dry bulb is other than 80°F [27°C], adjust the sensible capacity from the table by adding [1.10 x CFM x (1 – DR) x (dBE – 80)].

## HEATING PERFORMANCE DATA—RQPL-B049J

IDB		60°F [15.5°C]			70°F [21.1°C]			80°F [26.7°C]			
		CFM [L/s]	1760 [831]	1600 [755]	1440 [680]	1760 [831]	1600 [755]	1440 [680]	1760 [831]	1600 [755]	1440 [680]
O U T D O O R  D R Y  B U L B  T E M P E R A T U R E  ° F [ ° C]	0 [-17.8]	Total BTUH [kW] Power	15.9 [4.7] 2.5	15.8 [4.6] 2.5	15.7 [4.6] 2.5	14.5 [4.3] 2.9	14.4 [4.2] 2.9	14.3 [4.2] 2.9	13.2 [3.9] 3.2	13.1 [3.8] 3.3	13.0 [3.8] 3.3
	5 [-15]	Total BTUH [kW] Power	19.1 [5.6] 2.5	19.0 [5.6] 2.6	18.8 [5.5] 2.6	17.8 [5.2] 2.9	17.6 [5.2] 3.0	17.5 [5.1] 3.0	16.4 [4.8] 3.3	16.3 [4.8] 3.3	16.2 [4.7] 3.4
	10 [-12.2]	Total BTUH [kW] Power	22.3 [6.5] 2.6	22.2 [6.5] 2.6	22.0 [6.4] 2.7	21.0 [6.2] 3.0	20.8 [6.1] 3.0	20.7 [6.1] 3.0	19.7 [5.8] 3.4	19.5 [5.7] 3.4	19.4 [5.7] 3.4
	15 [-9.4]	Total BTUH [kW] Power	25.5 [7.5] 2.7	25.4 [7.4] 2.7	25.2 [7.4] 2.7	24.2 [7.1] 3.0	24.0 [7.0] 3.1	23.9 [7.0] 3.1	22.9 [6.7] 3.4	22.7 [6.7] 3.5	22.5 [6.6] 3.5
	20 [-6.7]	Total BTUH [kW] Power	28.8 [8.4] 2.7	28.6 [8.4] 2.7	28.4 [8.3] 2.8	27.4 [8.0] 3.1	27.2 [8.0] 3.1	27.0 [7.9] 3.2	26.1 [7.6] 3.5	25.9 [7.6] 3.5	25.7 [7.5] 3.6
	25 [-3.9]	Total BTUH [kW] Power	32.0 [9.4] 2.8	31.8 [9.3] 2.8	31.5 [9.2] 2.8	30.6 [9.0] 3.1	30.4 [8.9] 3.2	30.2 [8.9] 3.2	29.3 [8.6] 3.5	29.1 [8.5] 3.6	28.9 [8.5] 3.6
	30 [-1.1]	Total BTUH [kW] Power	35.2 [10.3] 2.8	35.0 [10.2] 2.9	34.7 [10.2] 2.9	33.9 [9.9] 3.2	33.6 [9.9] 3.2	33.4 [9.8] 3.3	32.5 [9.5] 3.6	32.3 [9.5] 3.6	32.1 [9.4] 3.7
	35 [1.7]	Total BTUH [kW] Power	38.4 [11.3] 2.9	38.2 [11.2] 2.9	37.9 [11.1] 2.9	37.1 [10.9] 3.3	36.8 [10.8] 3.3	36.6 [10.7] 3.3	35.8 [10.5] 3.6	35.5 [10.4] 3.7	35.2 [10.3] 3.7
	40 [4.4]	Total BTUH [kW] Power	41.6 [12.2] 2.9	41.4 [12.1] 3.0	41.1 [12.0] 3.0	40.3 [11.8] 3.3	40.0 [11.7] 3.3	39.7 [11.6] 3.4	39.0 [11.4] 3.7	38.7 [11.3] 3.7	38.4 [11.3] 3.8
	45 [7.2]	Total BTUH [kW] Power	44.9 [13.1] 3.0	44.5 [13.1] 3.0	44.2 [13.0] 3.1	43.5 [12.8] 3.4	43.2 [12.7] 3.4	42.9 [12.6] 3.4	42.2 [12.4] 3.7	41.9 [12.3] 3.8	41.6 [12.2] 3.8
50 [10]	Total BTUH [kW] Power	48.1 [14.1] 3.0	47.7 [14.0] 3.1	47.4 [13.9] 3.1	46.7 [13.7] 3.4	46.4 [13.6] 3.5	46.1 [13.5] 3.5	45.4 [13.3] 3.8	45.1 [13.2] 3.9	44.8 [13.1] 3.9	

IDB—Indoor air dry bulb

[ ] Designates Metric Conversions

# INDOOR AIRFLOW PERFORMANCE—208 VOLTS

Nominal Cooling Capacity Tons [kW]	Motor Speed from Factory	Manufacturer Recommended Airflow (Min/Max)	Blower Size/ Motor HP [W] & # of Speeds	Motor Speed	External Static Pressure - Inches W.C. [kPa]								
					0.1 [0.02]	0.2 [.05]	0.3 [.07]	0.4 [1.10]	0.5 [1.12]	0.6 [1.15]	0.7 [1.17]	0.8 [1.20]	
2.0 [7.03]	Low (Tap 1)	700 CFM / 900 CFM	9 x 7 Blower 1/3 HP [249W] 3 Speed X13 Motor	Low (Tap 1)	CFM [l/s]	847 [400]	818 [386]	788 [372]	765 [361]	737 [348]	695 [328]	659 [311]	581 [274]
					RPM	862	888	940	976	1033	1066	1122	1193
					Watts	145	147	156	157	164	167	167	155
2.5 [8.79]	Low (Tap 1)	875 CFM / 1125 CFM	10 x 9 Blower 1/2 HP [373W] 3 Speed X13 Motor	High (Tap 2)	CFM [l/s]	914 [431]	887 [419]	853 [403]	824 [389]	793 [374]	762 [360]	717 [338]	602 [284]
					RPM	934	971	1024	1053	1083	1121	1135	1155
					Watts	173	177	185	186	188	192	185	164
3.0 [10.55]	Low (Tap 1)	1050 CFM / 1350 CFM	10 x 9 Blower 1/2 HP [373W] 3 Speed X13 Motor	Low (Tap 1)	CFM [l/s]	1067 [504]	1034 [488]	992 [468]	957 [452]	912 [430]	820 [387]	778 [367]	729 [344]
					RPM	719	749	791	819	876	952	983	1024
					Watts	143	145	155	159	169	182	185	192
3.5 [12.31]	Low (Tap 1)	1225 CFM / 1575 CFM	10 x 9 Blower 3/4 HP [559W] 2 Speed X13 Motor	Med. (Tap 2)	CFM [l/s]	1165 [550]	1132 [534]	1091 [515]	1051 [496]	1009 [476]	959 [453]	855 [404]	819 [387]
					RPM	744	785	833	864	905	951	1020	1053
					Watts	167	177	188	191	202	206	217	351
4.0 [14.07]	Low (Tap 1)	1350 CFM / 1700 CFM	10 x 9 Blower 3/4 HP [559W] 2 Speed X13 Motor	High (Tap 3)	CFM [l/s]	1252 [591]	1213 [572]	1166 [550]	1137 [537]	1099 [519]	1046 [494]	986 [465]	892 [421]
					RPM	796	826	868	893	934	982	1026	1086
					Watts	206	210	219	225	234	245	248	256
3.0 [10.55]	Low (Tap 1)	1050 CFM / 1350 CFM	10 x 9 Blower 1/2 HP [373W] 3 Speed X13 Motor	Low (Tap 1)	CFM [l/s]	1247 [589]	1220 [576]	1178 [556]	1143 [539]	1099 [519]	1064 [502]	998 [471]	904 [427]
					RPM	784	819	863	890	932	957	1012	1075
					Watts	200	208	219	224	233	236	246	256
3.5 [12.31]	Low (Tap 1)	1225 CFM / 1575 CFM	10 x 9 Blower 3/4 HP [559W] 2 Speed X13 Motor	Med. (Tap 2)	CFM [l/s]	1307 [617]	1292 [610]	1238 [584]	1214 [573]	1170 [552]	1135 [536]	1087 [513]	989 [467]
					RPM	820	850	889	918	944	981	1028	1087
					Watts	233	242	248	255	262	268	277	284
4.0 [14.07]	Low (Tap 1)	1350 CFM / 1700 CFM	10 x 9 Blower 3/4 HP [559W] 2 Speed X13 Motor	High (Tap 3)	CFM [l/s]	1396 [659]	1357 [640]	1334 [630]	1286 [607]	1253 [591]	1207 [570]	1163 [549]	1103 [521]
					RPM	864	898	920	942	976	1010	1043	1089
					Watts	268	280	288	292	299	304	310	316
3.5 [12.31]	Low (Tap 1)	1225 CFM / 1575 CFM	10 x 9 Blower 3/4 HP [559W] 2 Speed X13 Motor	Low (Tap 1)	CFM [l/s]	1432 [676]	1398 [660]	1367 [645]	1328 [627]	1287 [607]	1252 [591]	1213 [572]	
					RPM	790	831	869	913	952	980	1016	
					Watts	247	260	273	287	300	303	317	
4.0 [14.07]	Low (Tap 1)	1350 CFM / 1700 CFM	10 x 9 Blower 3/4 HP [559W] 2 Speed X13 Motor	High (Tap 2)	CFM [l/s]	1559 [736]	1530 [722]	1488 [702]	1454 [686]	1417 [669]	1375 [649]	1336 [631]	
					RPM	870	893	932	968	1007	1036	1072	
					Watts	321	327	338	351	364	371	381	
4.0 [14.07]	Low (Tap 1)	1350 CFM / 1700 CFM	10 x 9 Blower 3/4 HP [559W] 2 Speed X13 Motor	Low (Tap 1)	CFM [l/s]	1675 [791]	1658 [782]	1610 [760]	1580 [746]	1535 [724]	1491 [704]	1422 [671]	
					RPM	923	944	979	1013	1045	1077	1098	
					Watts	390	401	412	425	433	440	432	
4.0 [14.07]	Low (Tap 1)	1350 CFM / 1700 CFM	10 x 9 Blower 3/4 HP [559W] 2 Speed X13 Motor	High (Tap 2)	CFM [l/s]	1770 [835]	1751 [826]	1706 [805]	1672 [789]	1624 [766]	1555 [734]	1463 [690]	
					RPM	966	989	1018	1050	1078	1100	1115	
					Watts	454	466	473	486	490	481	460	

NOTE: Italic type indicates airflow outside of manufacturers recommendation.  
Do not connect wiring to unspecified speed taps...

DOWN DISCHARGE PRESSURE DROP (ADD TO EXTERNAL STATIC PRESSURE)			
CFM [L/s]	600 [283]	1000 [472]	2000 [944]
Pressure Drop—Inches W.C. [kPa]	.00	.05 [0.012]	.15 [0.037]
	.02 [0.005]	.07 [0.017]	.17 [0.042]

[ ] Designates Metric Conversions

# INDOOR AIRFLOW PERFORMANCE—230 VOLTS

Nominal Cooling Capacity Tons [kW]	Motor Speed from Factory	Manufacturer Recommended Airflow (Min/Max)	Blower Size/ Motor HP [W] & # of Speeds	Motor Speed	External Static Pressure - Inches W.C. [kPa] (Side Discharge-Wet Coil)								
					0.1 [0.02]	0.2 [0.05]	0.3 [0.07]	0.4 [0.10]	0.5 [0.12]	0.6 [0.15]	0.7 [0.17]	0.8 [0.20]	
2.0 [7.03]	Low (Tap 1)	700 CFM / 900 CFM	9 x 7 Blower 1/3 HP [249W] 3 Speed X13 Motor	Low (Tap 1)	CFM [l/s]	862 [407]	834 [394]	819 [387]	781 [369]	761 [359]	729 [344]	695 [328]	606 [286]
					RPM	889	953	974	1018	1065	1101	1133	1156
					Watts	151	159	162	166	173	176	180	165
2.5 [8.79]	Low (Tap 1)	875 CFM / 1125 CFM	10 x 9 Blower 1/2 HP [373W] 3 Speed X13 Motor	High (Tap 2)	CFM [l/s]	918 [433]	888 [419]	874 [412]	838 [395]	819 [387]	781 [369]	711 [336]	616 [291]
					RPM	953	988	1032	1060	1091	1126	1146	1157
					Watts	181	184	194	198	200	204	189	168
3.0 [10.55]	Low (Tap 1)	1050 CFM / 1350 CFM	10 x 9 Blower 1/2 HP [373W] 3 Speed X13 Motor	Low (Tap 1)	CFM [l/s]	1076 [508]	1041 [491]	1017 [480]	970 [458]	928 [438]	852 [402]	785 [370]	745 [352]
					RPM	715	753	787	825	877	946	1005	1032
					Watts	144	148	157	169	175	187	198	202
3.5 [12.31]	Low (Tap 1)	1225 CFM / 1575 CFM	10 x 9 Blower 1/2 HP [373W] 3 Speed X13 Motor	Med. (Tap 2)	CFM [l/s]	1187 [560]	1124 [530]	1096 [517]	1071 [505]	1024 [483]	987 [466]	896 [423]	852 [402]
					RPM	762	799	832	859	914	940	1021	1059
					Watts	176	182	191	196	209	212	227	235
4.0 [14.07]	Low (Tap 1)	1350 CFM / 1700 CFM	10 x 9 Blower 1/2 HP [373W] 3 Speed X13 Motor	High (Tap 3)	CFM [l/s]	1271 [600]	1223 [577]	1169 [552]	1137 [537]	1104 [521]	1071 [505]	1015 [479]	934 [441]
					RPM	797	836	878	905	939	974	1026	1089
					Watts	212	217	227	231	241	247	257	270
3.0 [10.55]	Low (Tap 1)	1050 CFM / 1350 CFM	10 x 9 Blower 1/2 HP [373W] 3 Speed X13 Motor	Low (Tap 1)	CFM [l/s]	1258 [594]	1215 [573]	1200 [566]	1160 [547]	1130 [533]	1082 [511]	1026 [484]	954 [450]
					RPM	802	829	861	894	933	971	1020	1077
					Watts	210	217	225	230	239	245	259	268
3.5 [12.31]	Low (Tap 1)	1225 CFM / 1575 CFM	10 x 9 Blower 1/2 HP [373W] 3 Speed X13 Motor	Med. (Tap 2)	CFM [l/s]	1336 [631]	1298 [613]	1259 [594]	1229 [580]	1198 [565]	1160 [547]	1116 [527]	1071 [505]
					RPM	821	867	903	920	957	993	1038	1071
					Watts	239	249	259	262	275	279	290	299
3.5 [12.31]	Low (Tap 1)	1225 CFM / 1575 CFM	10 x 9 Blower 1/2 HP [373W] 3 Speed X13 Motor	High (Tap 3)	CFM [l/s]	1416 [668]	1379 [657]	1342 [633]	1292 [610]	1275 [602]	1240 [585]	1200 [566]	1168 [551]
					RPM	874	898	933	952	993	1011	1060	1091
					Watts	285	290	299	304	314	322	328	337
3.5 [12.31]	Low (Tap 1)	1225 CFM / 1575 CFM	10 x 9 Blower 3/4 HP [559W] 2 Speed X13 Motor	Low (Tap 1)	CFM [l/s]	1441 [680]	1406 [664]	1367 [645]	1338 [631]	1305 [616]	1265 [597]	1229 [580]	1104
					RPM	790	832	874	914	950	988	1014	1014
					Watts	252	266	279	292	305	318	323	323
4.0 [14.07]	Low (Tap 1)	1350 CFM / 1700 CFM	10 x 9 Blower 3/4 HP [559W] 2 Speed X13 Motor	High (Tap 2)	CFM [l/s]	1550 [732]	1520 [717]	1486 [701]	1449 [684]	1407 [664]	1382 [652]	1337 [631]	1200 [566]
					RPM	867	890	930	974	1003	1039	1073	1073
					Watts	317	323	339	355	362	377	385	385
4.0 [14.07]	Low (Tap 1)	1350 CFM / 1700 CFM	10 x 9 Blower 3/4 HP [559W] 2 Speed X13 Motor	Low (Tap 1)	CFM [l/s]	1692 [799]	1661 [784]	1633 [771]	1589 [750]	1560 [736]	1512 [714]	1442 [681]	1200 [566]
					RPM	931	950	982	1018	1054	1082	1103	1103
					Watts	404	409	424	434	450	453	443	443
4.0 [14.07]	Low (Tap 1)	1350 CFM / 1700 CFM	10 x 9 Blower 3/4 HP [559W] 2 Speed X13 Motor	High (Tap 2)	CFM [l/s]	1748 [825]	1718 [811]	1686 [796]	1647 [777]	1616 [763]	1543 [728]	1472 [695]	1200 [566]
					RPM	955	978	1010	1043	1073	1096	1111	1111
					Watts	440	446	462	475	484	473	459	459

NOTE: Italic type indicates airflow outside of manufacturers recommendation.  
Do not connect wiring to unspecified speed taps.

### DOWN DISCHARGE PRESSURE DROP (ADD TO EXTERNAL STATIC PRESSURE)

CFM [L/s]	600 [283]	800 [378]	1000 [472]	1200 [566]	1400 [661]	1600 [775]	1800 [849]	2000 [944]
Pressure Drop—Inches W.C. [kPa]	.00	.02 [0.05]	.05 [0.12]	.07 [0.17]	.1 [0.25]	.12 [0.30]	.15 [0.37]	.17 [0.42]

[ ] Designates Metric Conversions

ELECTRICAL DATA – RQPL SERIES										
		B024JK	B025JK	B030JK	C036CK	C036JK	C042CK	C042JK	B049CK	B049JK
Unit Information	Unit Operating Voltage Range	187-253	187-253	187-253	187-253	187-253	187-253	187-253	187-253	187-253
	Volts	208/230	208/230	208/230	208/230	208/230	208/230	208/230	208/230	208/230
	Phase	1	1	1	3	1	3	1	3	1
	Hz	60	60	60	60	60	60	60	60	60
	Minimum Circuit Ampacity	21	21	24	20	27	27	34	26	33
	Minimum Overcurrent Protection Device Size	25	25	25	25	35	35	40	30	40
	Maximum Overcurrent Protection Device Size	30	30	35	25	40	40	50	35	50
Compressor Motor	No.	1	1	1	1	1	1	1	1	1
	Volts	208/230	208/230	208/230	200/230	208/230	200/230	208/230	200/230	208/230
	Phase	1	1	1	3	1	3	1	3	1
	RPM	3450	3450	3450	3450	3450	3500	3500	3500	3500
	HP, Compressor 1	2	2	2 1/2	3	3	3 1/2	3 1/2	4	4
	Amps (RLA), Comp. 1	12.8	12.8	14.1	10.4	16.7	13.8	19.2	13.7	19.6
	Amps (LRA), Comp. 1	58.3	58.3	73	73	79	83.1	124	83.1	130
Condenser Motor	No.	1	1	1	1	1	1	1	1	1
	Volts	208/230	208/230	208/230	208/230	208/230	208/230	208/230	208/230	208/230
	Phase	1	1	1	1	1	1	1	1	1
	HP	1/3	1/3	1/3	1/3	1/3	1/3	1/3	1/3	1/3
	Amps (FLA, each)	1.3	1.3	1.3	2	2	3.5	3.5	2	2
	Amps (LRA, each)	2.2	2.2	2.2	3.9	3.9	3.9	3.9	3.9	3.9
Evaporator Fan	No.	1	1	1	1	1	1	1	1	1
	Volts	208/230	208/230	208/230	208/230	208/230	208/230	208/230	208/230	208/230
	Phase	1	1	1	1	1	1	1	1	1
	HP	1/3	1/3	1/2	1/2	1/2	3/4	3/4	3/4	3/4
	Amps (FLA, each)	2.8	2.8	4.1	4.1	4.1	6	6	6	6

1. Horsepower Per Compressor.
2. Amp Draw Per Motor. Multiply Value By Number of Motors to Determine Total Amps.

Unit Model Application	Electric Heater Kit Factory Installed Options*
RQPL-B024JK & RQPL-B025JK	RXQJ-A05J (208-240 volt, 1-ph, 5kW)
	RXQJ-A10J (208-240 volt, 1-ph, 10kW)
RQPL-B030JK	RXQJ-A05J (208-240 volt, 1-ph, 5kW)
	RXQJ-A10J (208-240 volt, 1-ph, 10kW)
RQPL-C036JK	RXQJ-A10J (208-240 volt, 1-ph, 10kW)
	RXQJ-A15J (208-240 volt, 1-ph, 15kW)
RQPL-C042JK	RXQJ-B10J (208-240 volt, 1-ph, 10kW)
	RXQJ-B15J (208-240 volt, 1-ph, 15kW)
RQPL-B049JK	RXQJ-B10J (208-240 volt, 1-ph, 10kW)
	RXQJ-B15J (208-240 volt, 1-ph, 15kW)
RQPL-C036JK	RXQJ-A10C (208-240 volt, 3-ph, 10kW)
	RXQJ-A15C (208-240 volt, 3-ph, 15kW)
RQPL-C042JK	RXQJ-A10C (208-240 volt, 3-ph, 10kW)
	RXQJ-A15C (208-240 volt, 3-ph, 15kW)
RQPL-B049CK	RXQJ-A10C (208-240 volt, 3-ph, 10kW)
	RXQJ-A15C (208-240 volt, 3-ph, 15kW)

\*Further kits for field installation on following pages.

<b>WARNING</b>
<p><b>ONLY ELECTRIC HEATER KITS SUPPLIED BY THIS MANUFACTURER AS DESCRIBED IN THIS PUBLICATION HAVE BEEN DESIGNED, TESTED, AND EVALUATED BY A NATIONALLY RECOGNIZED SAFETY TESTING AGENCY FOR USE WITH THIS UNIT. USE OF ANY OTHER MANUFACTURED ELECTRIC HEATERS INSTALLED WITHIN THIS UNIT MAY CAUSE HAZARDOUS CONDITIONS RESULTING IN PROPERTY DAMAGE, FIRE, BODILY INJURY OR DEATH.</b></p>

**208/240 VOLT, SINGLE PHASE, 60 Hz, AUXILIARY ELECTRIC HEATER KITS CHARACTERISTICS AND APPLICATION**

Single Power Supply For Both Unit and Heater Kit										Separate Power Supply For Both Unit and Heater Kit										
Unit Model No. RQPL-	Heater Kit					Heat Pump					Heater Kit					Heat Pump				
	RXQJ-Heater Kit Nominal kW	No. of Sequence Steps	Rated Heater kW @ 208/240 V	Heater KBTU/Hr @ 208/240 V	Heater Amp. @ 208/240 V	Unit Min. Ckt. Ampacity @ 208/240 V	Over Current Protective Device Size Min./Max. @ 208 V	Over Current Protective Device Size Min./Max. @ 240 V	Min. Ckt. Ampacity 208/240 V	Max. Fuse Size 208/240 V	Min. Circuit Ampacity 208/240 V	Over Current Protective Device Size Min./Max. @ 208 V	Over Current Protective Device Size Min./Max. @ 240 V							
B024JK	No Heat	—	—	—	—	21/21	25/30	25/30	—	—	21/21	25/30	25/30							
	A05J	1	3.6/4.8	12.28/16.38	17.3/20.0	42/46	45/50	50/50	22/25	25/25	21/21	25/30	25/30							
	A08J	1	5.7/7.6	19.45/25.93	27.4/31.6	55/60	60/60	70/70	35/40	35/40	21/21	25/30	25/30							
	A10J	1	7.2/9.6	24.57/32.76	34.6/40.0	64/71	70/70	80/80	44/50	45/50	21/21	25/30	25/30							
B025JK	No Heat	—	—	—	—	21/21	25/30	25/30	—	—	21/21	25/30	25/30							
	A05J	1	3.6/4.8	12.28/16.38	17.3/20.0	42/46	45/50	50/50	22/25	25/25	21/21	25/30	25/30							
	A08J	1	5.7/7.6	19.45/25.93	27.4/31.6	55/60	60/60	70/70	35/40	35/40	21/21	25/30	25/30							
	A10J	1	7.2/9.6	24.57/32.76	34.6/40.0	64/71	70/70	80/80	44/50	45/50	21/21	25/30	25/30							
B030JK	No Heat	—	—	—	—	24/24	25/35	25/35	—	—	24/24	25/35	25/35							
	A05J	1	3.6/4.8	12.28/16.38	17.3/20.0	45/49	50/50	50/50	22/25	25/25	24/24	25/35	25/35							
	A08J	1	5.7/7.6	19.45/25.93	27.4/31.6	58/63	60/60	70/70	35/40	35/40	24/24	25/35	25/35							
	A10J	1	7.2/9.6	24.57/32.76	34.6/40.0	67/74	70/70	80/80	44/50	45/50	24/24	25/35	25/35							
C036JK	No Heat	—	—	—	—	27/27	35/40	35/40	—	—	27/27	35/40	35/40							
	A08J	1	5.7/7.6	19.45/25.93	27.4/31.6	62/67	70/70	70/70	35/40	35/40	27/27	35/40	35/40							
	A10J	1	7.2/9.6	24.57/32.76	34.6/40.0	71/77	80/80	80/80	44/50	45/50	27/27	35/40	35/40							
	A15J	1	10.8/14.4	36.85/49.13	51.9/60.0	92/102	100/100	110/110	65/75	70/80	27/27	35/40	35/40							
C042JK	B06J	1	4.2/5.6	14.33/19.11	20.2/23.3	53/57	60/60	60/60	26/30	30/30	27/27	35/40	35/40							
	No Heat	—	—	—	—	34/34	40/50	40/50	—	—	34/34	40/50	40/50							
	A08J	1	5.7/7.6	19.45/25.93	27.4/31.6	68/73	70/80	80/80	35/40	35/40	34/34	40/50	40/50							
	B06J	1	4.2/5.6	14.33/19.11	20.2/23.3	59/63	60/70	70/70	26/30	30/30	34/34	40/50	40/50							
B049JK	B10J	1	7.2/9.6	24.57/32.76	34.6/40.0	77/84	80/80	90/90	44/50	45/50	34/34	40/50	40/50							
	B15J	1	10.8/14.4	36.85/49.13	51.9/60.0	99/109	100/100	110/110	65/75	70/80	34/34	40/50	40/50							
	No Heat	—	—	—	—	33/33	40/50	40/50	—	—	33/33	40/50	40/50							
	A08J	1	5.7/7.6	19.45/25.93	27.4/31.6	67/72	70/70	80/80	35/40	35/40	33/33	40/50	40/50							
B15J	B10J	1	7.2/9.6	24.57/32.76	34.6/40.0	76/83	80/80	90/90	44/50	45/50	33/33	40/50	40/50							
	B15J	1	10.8/14.4	36.85/49.13	51.9/60.0	98/108	100/100	110/110	65/75	70/80	33/33	40/50	40/50							

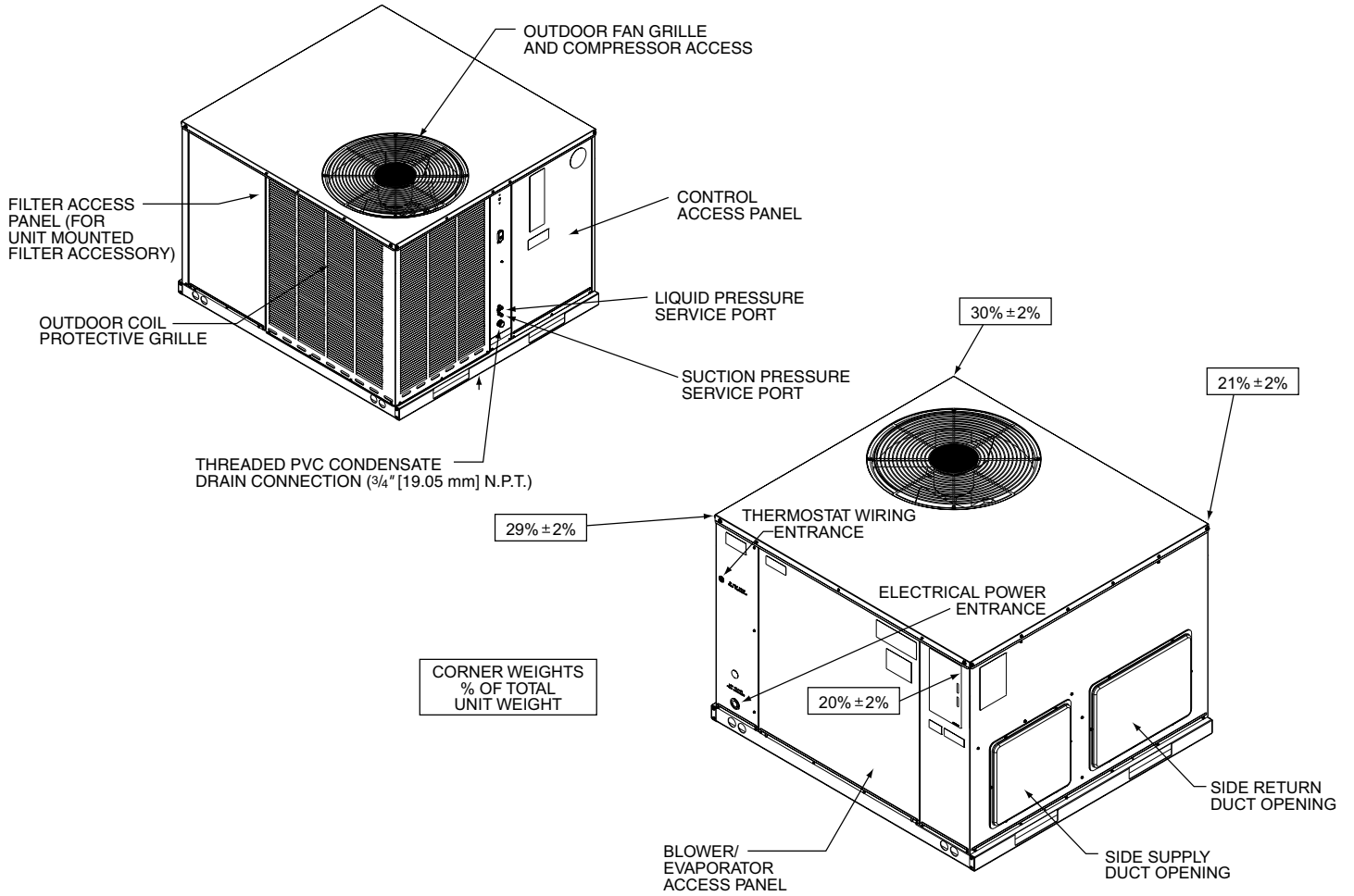


**208/240 VOLT, THREE PHASE, 60 Hz, AUXILIARY ELECTRIC HEATER KITS CHARACTERISTICS AND APPLICATION**

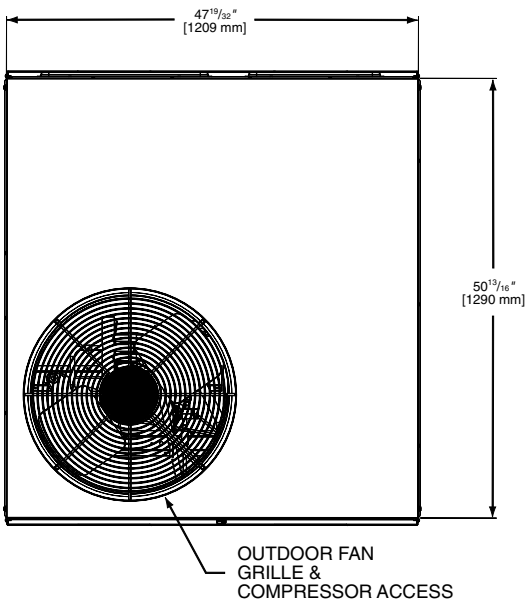
**Single Power Supply For Both Unit and Heater Kit**

**Separate Power Supply For Both Unit and Heater Kit**

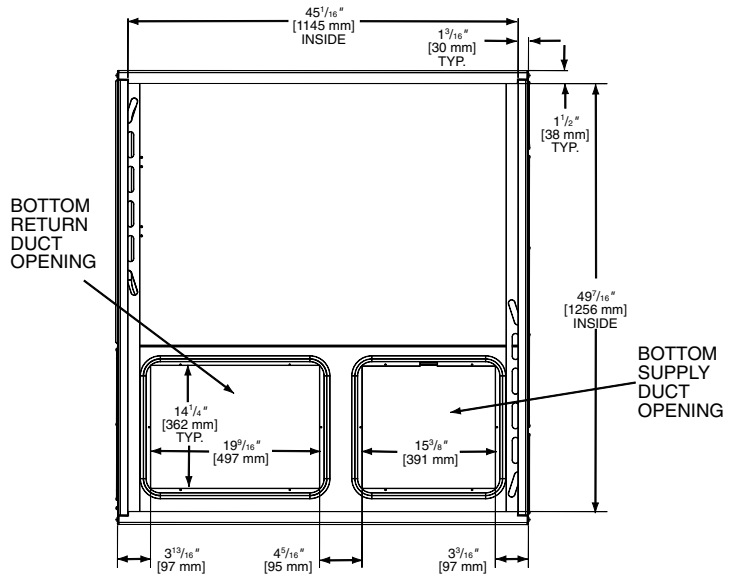
Unit Model No. RQPL-	Heater Kit						Heat Pump				Heater Kit				Heat Pump			
	RXQJ-Heater Kit Nominal kW	No. of Sequence Steps	Rated Heater kW @ 208/240 V	Heater KBTU/Hr @ 208/240 V	Heater Amp. @ 208/240 V	Unit Min. Ckt. Ampacity @ 208/240 V	Over Current Protective Device Size		Min. Circuit Ampacity 208/240 V	Max. Fuse Size 208/240 V	Min. Ckt. Ampacity 208/240 V	Over Current Protective Device Size		Min. Circuit Ampacity 208/240 V	Max. Fuse Size 208/240 V	Over Current Protective Device Size		
							Min. @ 208 V	Max. @ 240 V				Min. @ 208 V	Max. @ 240 V			Min. @ 208 V	Max. @ 240 V	
C036CK	No Heat	—	—	—	—	20/20	25/25	25/25	—	—	20/20	25/25	25/25	20/20	—	25/25	25/25	
	A10C	1	7.2/9.6	24.57/32.76	20.0/23.1	45/48	50/50	50/50	25/30	25/29	20/20	25/25	25/25	20/20	25/30	25/25	25/25	
	A15C	1	10.8/14.4	36.85/49.13	30.1/34.7	57/63	60/60	70/70	40/45	38/44	20/20	25/25	25/25	20/20	40/45	25/25	25/25	
C042CK	No Heat	—	—	—	—	27/27	35/40	35/40	—	—	27/27	35/40	35/40	27/27	—	35/40	35/40	
	A10C	1	7.2/9.6	24.57/32.76	20.0/23.1	52/56	60/60	60/60	25/30	25/29	27/27	60/60	60/60	27/27	25/30	35/40	35/40	
	A15C	1	10.8/14.4	36.85/49.13	30.1/34.7	65/71	70/70	80/80	40/45	38/44	27/27	80/80	80/80	27/27	40/45	35/40	35/40	
B049CK	No Heat	—	—	—	—	26/26	30/35	30/35	—	—	26/26	30/35	30/35	26/26	—	30/35	30/35	
	A10C	1	7.2/9.6	24.57/32.76	20.0/23.1	51/54	60/60	60/60	25/30	25/29	26/26	60/60	60/60	26/26	25/30	30/35	30/35	
	A15C	1	10.8/14.4	36.85/49.13	30.1/34.7	63/69	70/70	80/80	40/45	38/44	26/26	70/70	80/80	26/26	40/45	30/35	30/35	



**TOP VIEW**

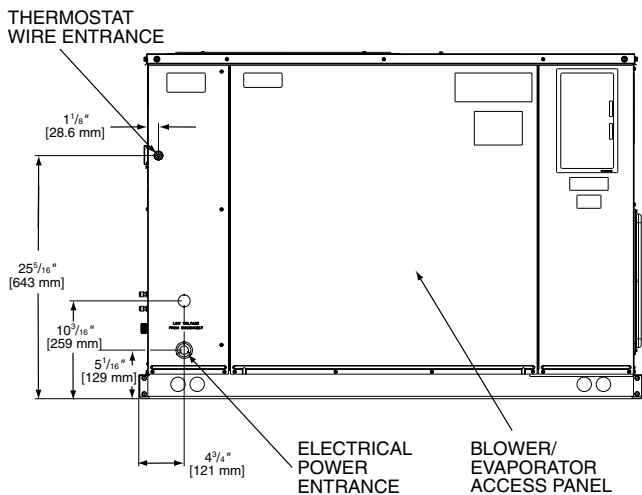


**BOTTOM VIEW**

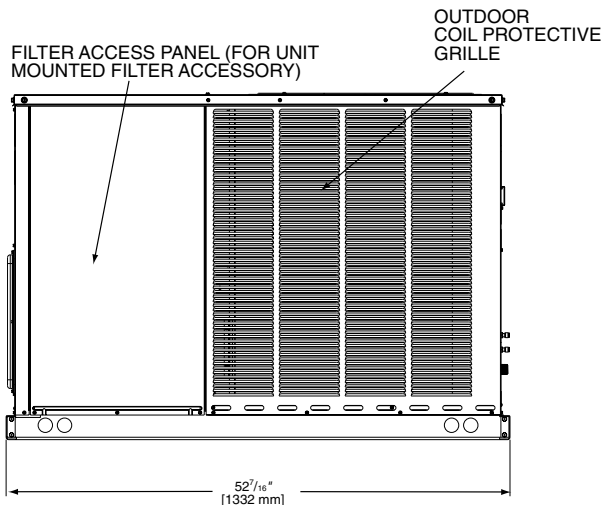


[ ] Designates Metric Conversions

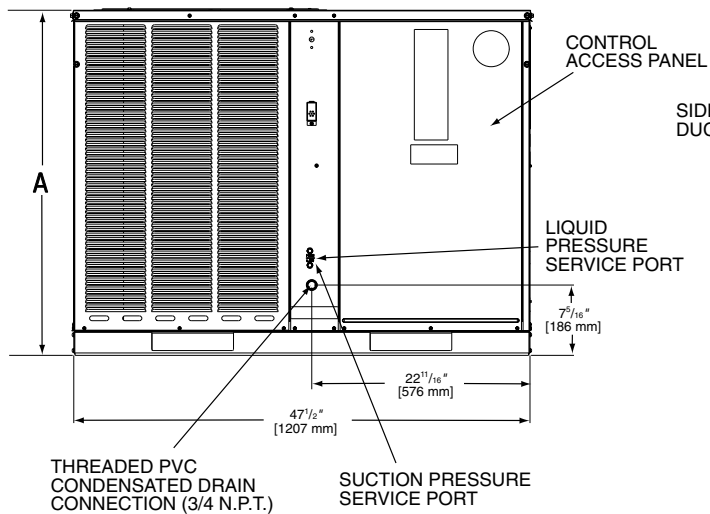
**SIDE VIEW**



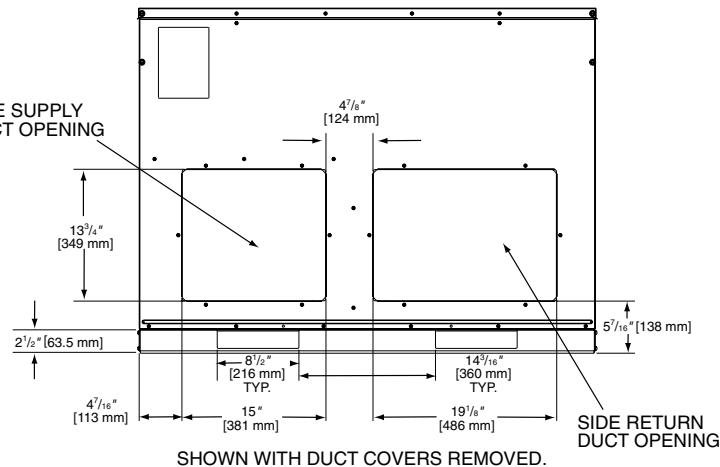
**SIDE VIEW**



**FRONT VIEW**



**BACK VIEW**

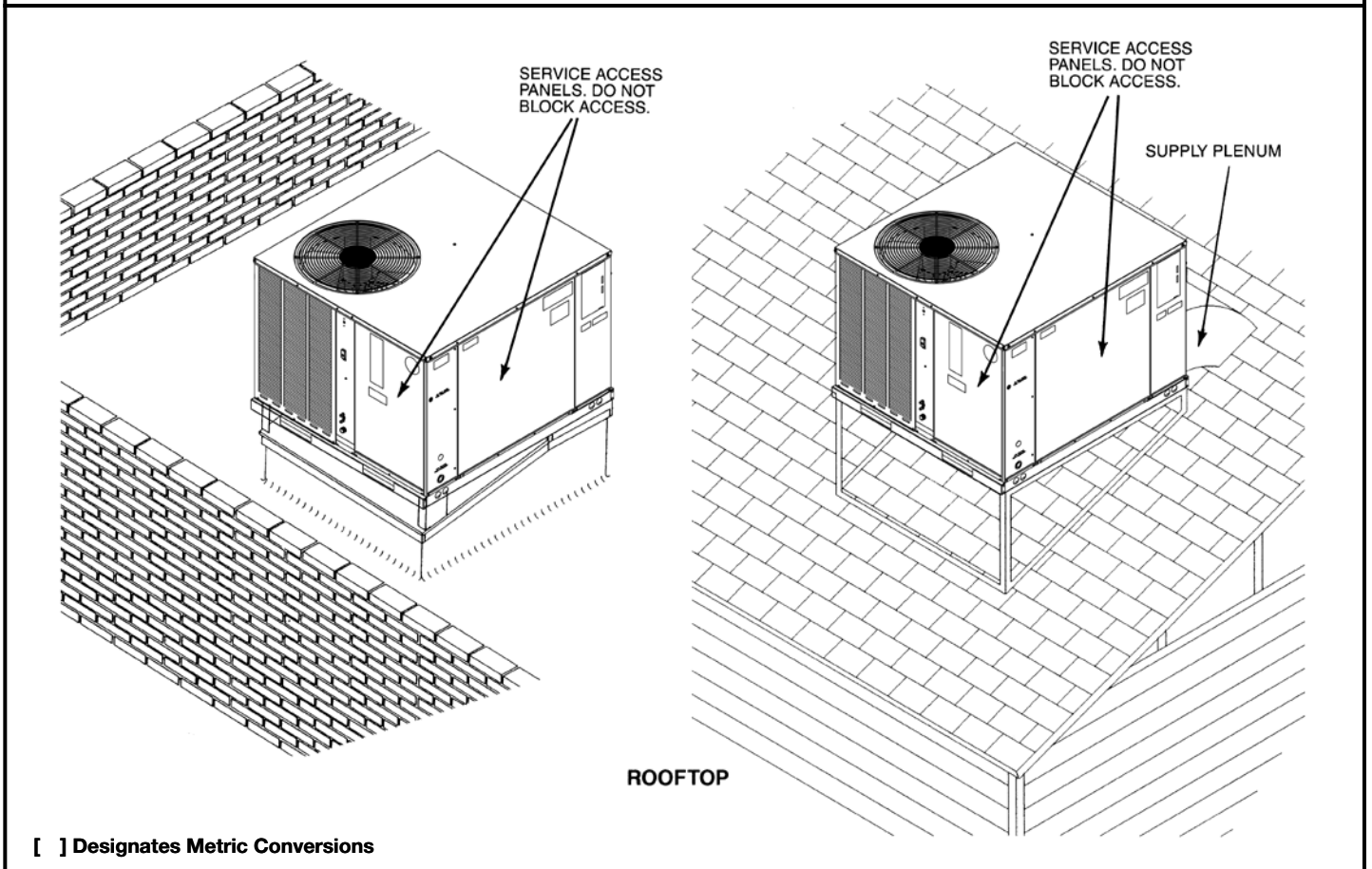
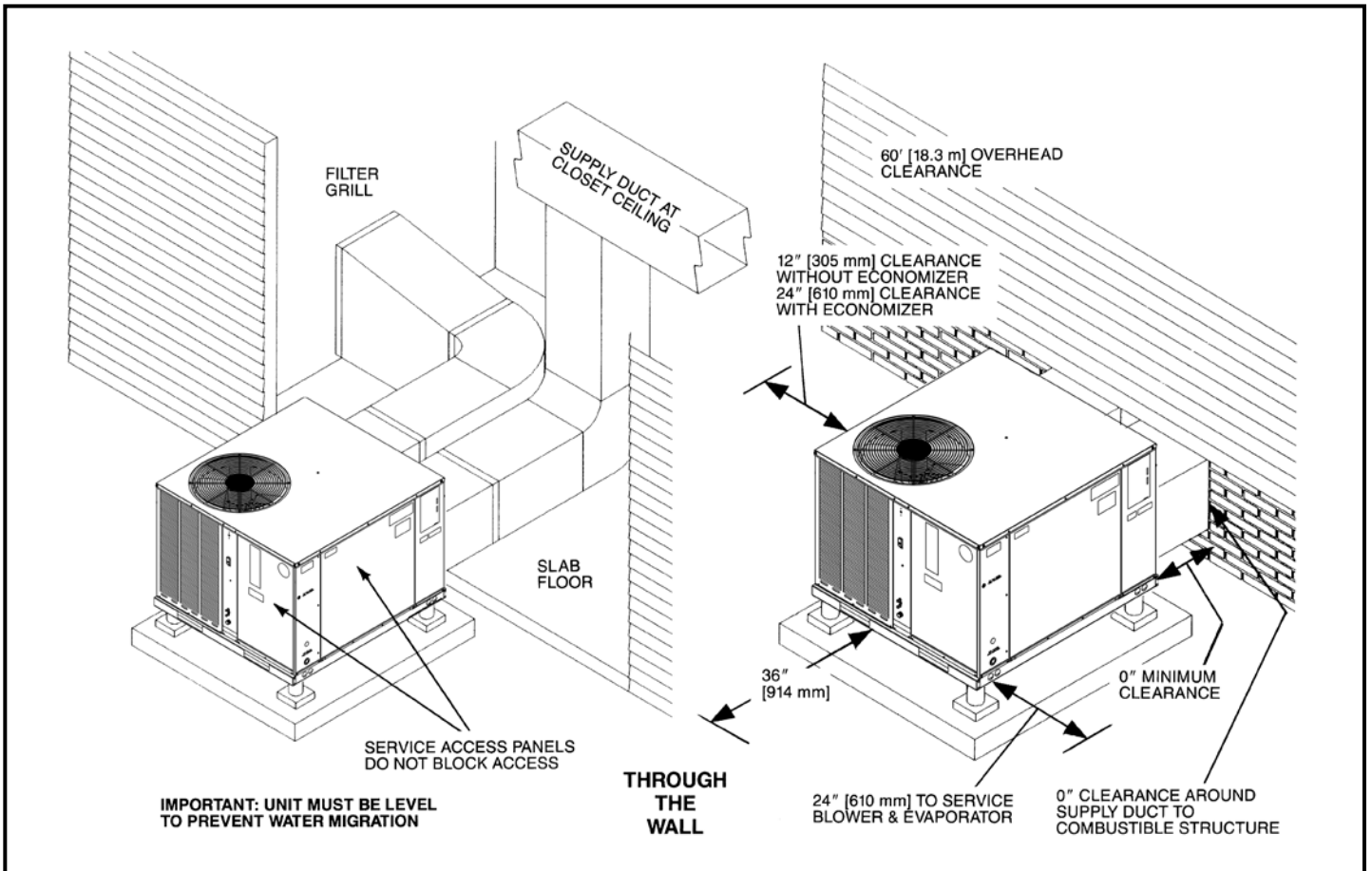


**IMPORTANT:**  
INSTALLATION MUST NOT INTERFERE WITH DRAINAGE OPENINGS IN BOTTOM OF UNIT UNDER OUTDOOR COIL.

Model Number	Height "A"
B024, B025	35 <sup>15</sup> / <sub>16</sub>
B030, C036, C042, B049	41

**IMPORTANT:**  
UNIT MUST BE LEVEL TO PREVENT WATER MIGRATION.

[ ] Designates Metric Conversions

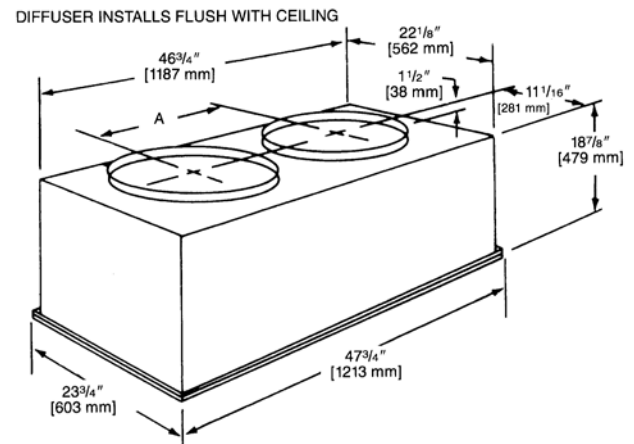
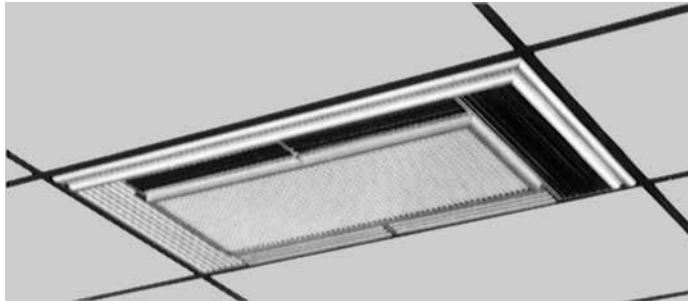


[ ] Designates Metric Conversions

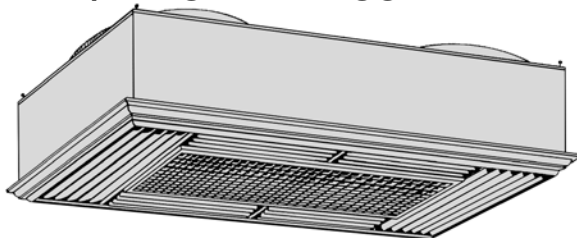
## ACCESSORY EQUIPMENT

Accessory Description	Model Application	Accessory Model No.
Roofcurb	RQPL-	RXQG-AAA14 (14" [356 mm] Height) RXQG-AAA24 (24" [610 mm] Height)
Supply & Return Diffusers	RQPL-	RXRN-BD15
Economizers (Convertible)	RQPL-	AXRD-01RACAM3
Dual Enthalpy Kit		RXAX-A04
Fresh Air Damper	RQPL-	AXRF-FAB1 (Motorized-35%) AXRF-FAA1 (Fixed-35%)
Rectangular to Round Transition (Downflow)	RQPL-	RXMC-CA02 (16" [406 mm] Ducts) RXMC-CA03 (18" [457 mm] Ducts)
Filter Kit	RQPL-	RXRY-B01
High Pressure Control	RQPL-	RXAB-D01
Outdoor Thermostat	RQPL-	RXPT-A01
Low Ambient Control	RQPL-	RXPZ-G01
Duct Adapter Sideflow Square to Round Transition	RQPL-	AXMC-BA01
Lift Kit	RQPL-	RXML-A01

## COMMON SUPPLY/RETURN CONCENTRIC AIR DIFFUSER



## SUPPLY/RETURN DIFFUSER



Designed to convert a side by side or an over and under arrangement into a concentric distribution of air. The diffuser is flush mounted, completely insulated, assembled, and internally baffled to provide four way supply air distribution with a center return. To make the assembly complete and ready to fit into a 2' [0.61 m] x 4' [1.22 m] suspended ceiling grid, the diffuser includes adjustable supply louvers, hanging rings, anti-sweat gasket, and round flanges for use with flexible ducts.

Model No.	Diameter Inches [mm]	Shipping Wt. Lbs. [kg]	Dimension A Inches [mm]
RXRN-BD15	16 [406]	90 [40.82]	20 1/2 [521]

**NOTE:** The location of the combination supply and return diffuser should not exceed 10 feet [3.05 m] above the floor level for units @ 1000 CFM [472 L/s] or less and 12 [3.66 m] to 14 feet [4.27 m] above the floor level for units with CFM greater than 1000 [472 L/s]. If the diffuser is installed with a greater distance than recommended above, the supply air may become stratified above the required comfort area causing uncomfortable conditions.

## AIRFLOW/PRESSURE DROP INFORMATION (INCHES W.C. [kPa])

Accessory	Approximate CFM [L/s]-Supply Air			
	1300 [614]	1575 [743]	1800 [850]	2200 [1038]
Plenum & Supply/Return Duct	.07 [.017]	.10 [.024]	.12 [.030]	.17 [.042]
Diffuser	.09 [.022]	.13 [.032]	.16 [.040]	.24 [.060]
Economizer	.06 [.015]	.09 [.022]	.11 [.027]	.17 [.042]

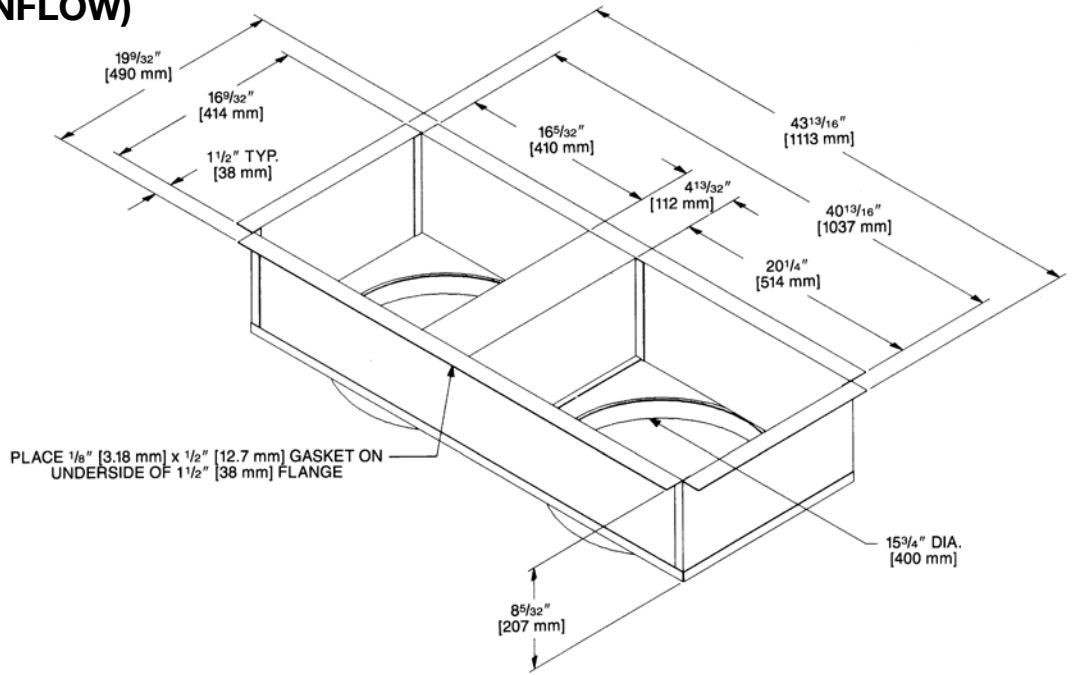
## SUPPLY AIR/PERFORMANCE

Diffuser Airflow CFM [L/s]	Range of Throw Ft. [m]
800 [378]-1200 [566]	14 [4.27]-16 [4.88]
1600 [755]-2000 [944]	18 [5.49]-28 [8.53]

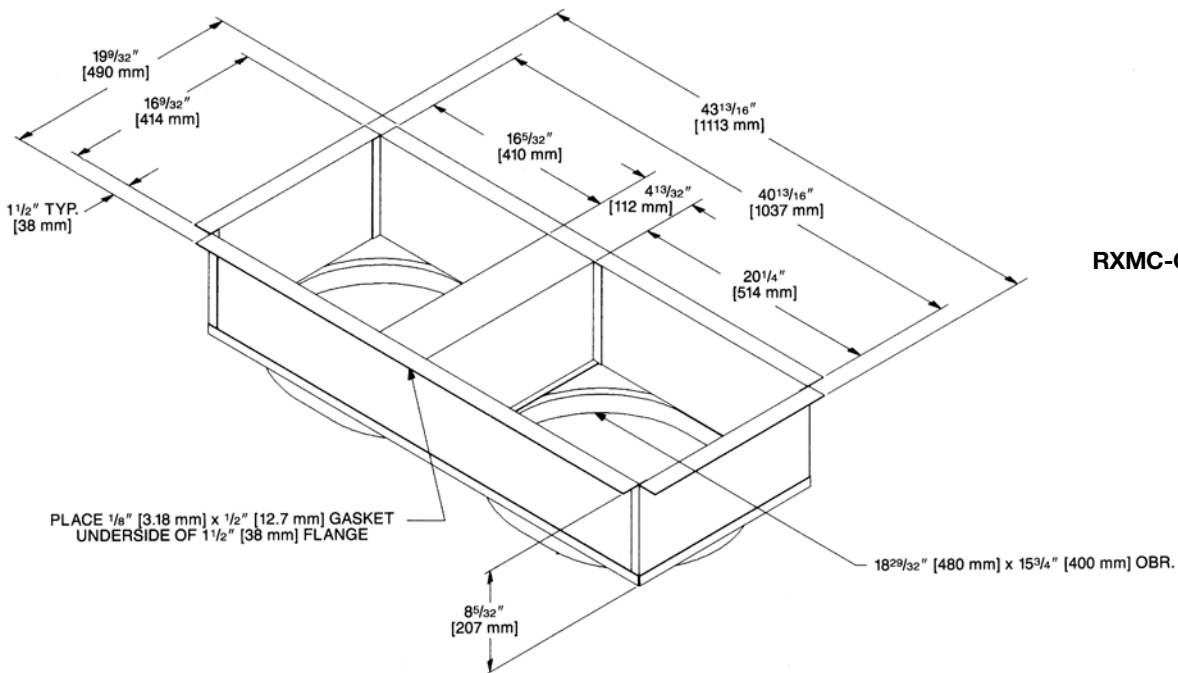
[ ] Designates Metric Conversions

# DUCT ADAPTERS RECTANGULAR TO ROUND TRANSITIONS (DOWNFLOW)

**RXMC-CA02**



**RXMC-CA03**



[ ] Designates Metric Conversions

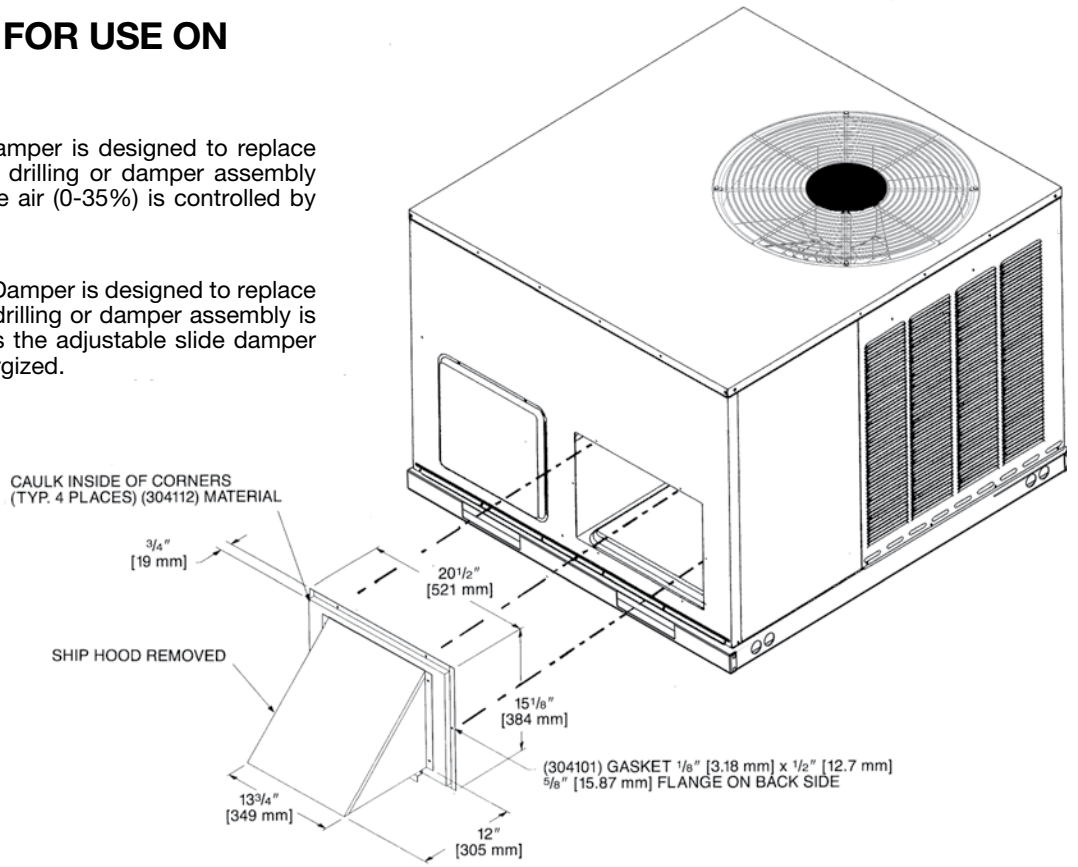
## FRESH AIR DAMPER FOR USE ON RQPL- SERIES

### **AXRF-FAA1 (Fixed - 0-35%)**

The 0-35% manual outside Air Damper is designed to replace the unit return air duct cover. No drilling or damper assembly is required. The amount of outside air (0-35%) is controlled by simply adjusting the side damper.

### **AXRF-FAB1 (Motorized - 0-35%)**

The 0-35% motorized outside Air Damper is designed to replace the unit return air duct cover. No drilling or damper assembly is required. The control motor opens the adjustable slide damper when the unit blower motor is energized.



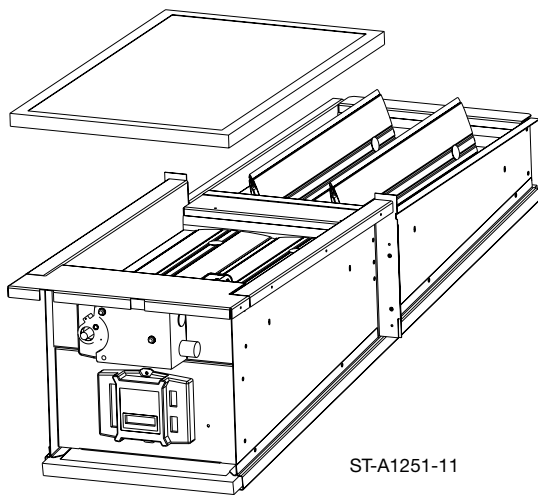
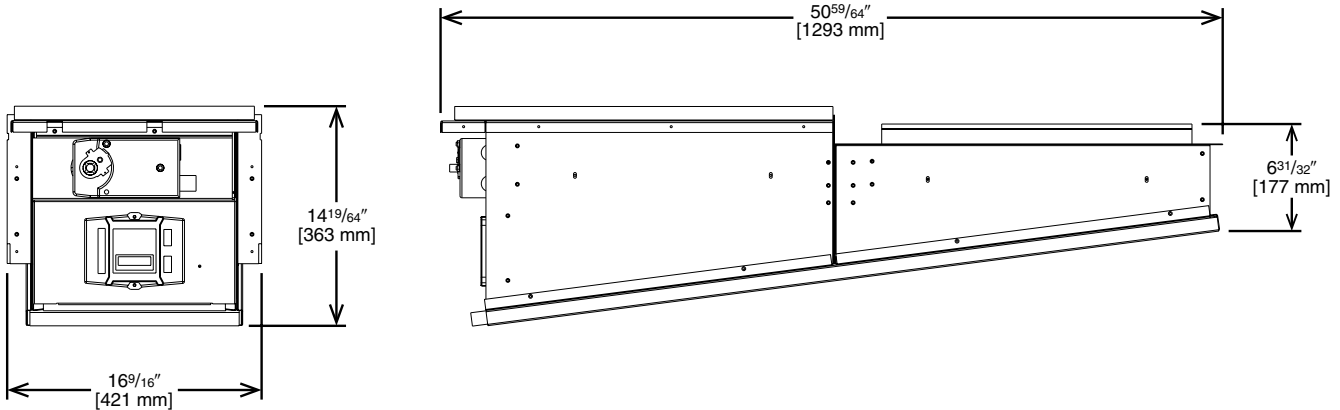
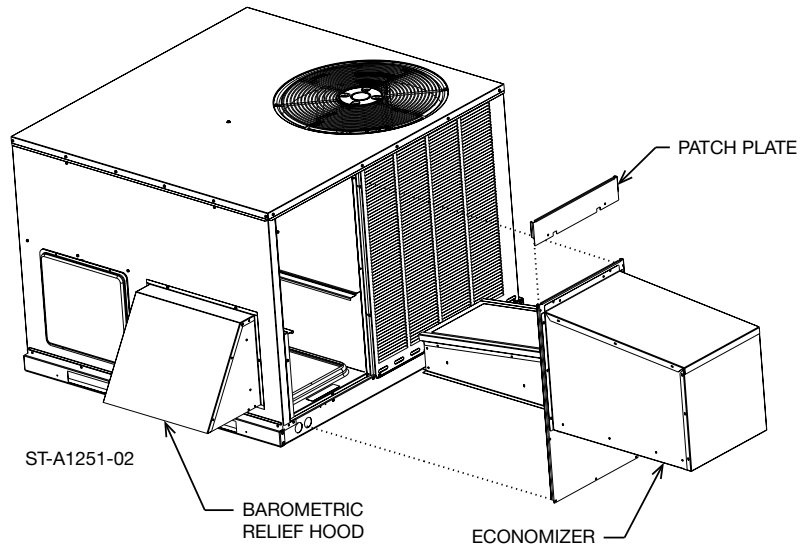
[ ] Designates Metric Conversions

## ECONOMIZERS

### AXRD-01RACAM3 (Fully Modulating)

#### Horizontally and Vertically Applicable

- LCD Screen for Continuous diagnostic and system status
- Programmable set points for accurate positioning
- Simplified wiring and color coded terminals
- Onboard fault detection and diagnostics (FDD)
- Operational Checkout to verify installation
- Enthalpy sensors and actuator that communicate through a Syrk Bus Network with the Jade Controller reducing wiring errors while providing more information
- CO<sub>2</sub> sensor input for DCV (Demand Control Ventilation) applications
- RXRX-AV04 Dual Enthalpy kit available for field installation
- AMCA licensed class 1A low leak Dampers

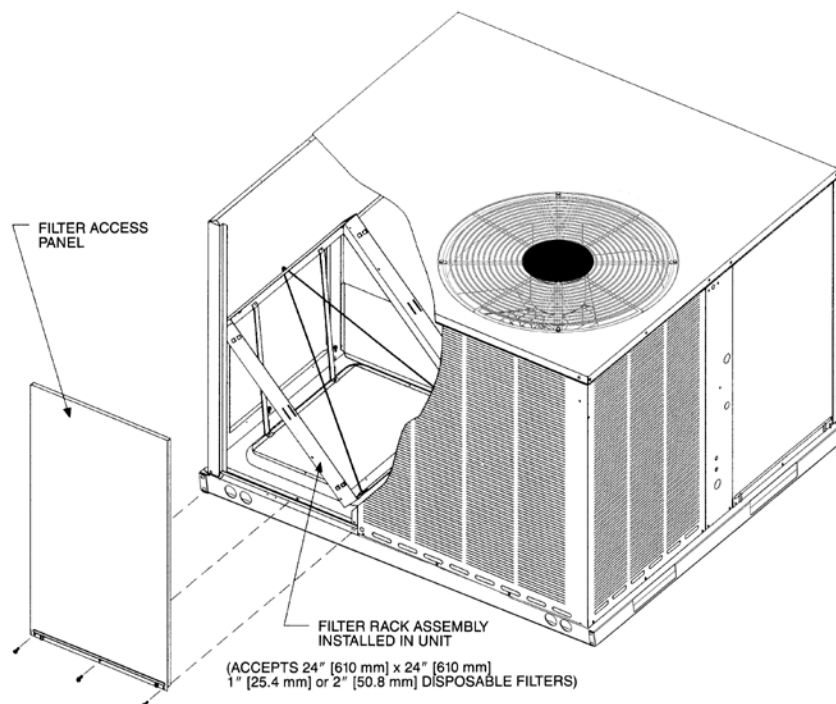


[ ] Designates Metric Conversions



# FILTER KIT INSTALLATION RXRY-B01

For use in either vertical or horizontal discharge.



CFM [L/s]		
Minimum Airflow	Nominal Airflow	Maximum Airflow
510 [241]	600 [283]	660 [311]
680 [321]	800 [378]	880 [415]
850 [401]	1000 [472]	1100 [519]
1020 [481]	1200 [566]	1320 [623]
1190 [562]	1400 [661]	1540 [727]
1275 [602]	1500 [708]	1650 [779]
1700 [802]	2000 [944]	2200 [1039]

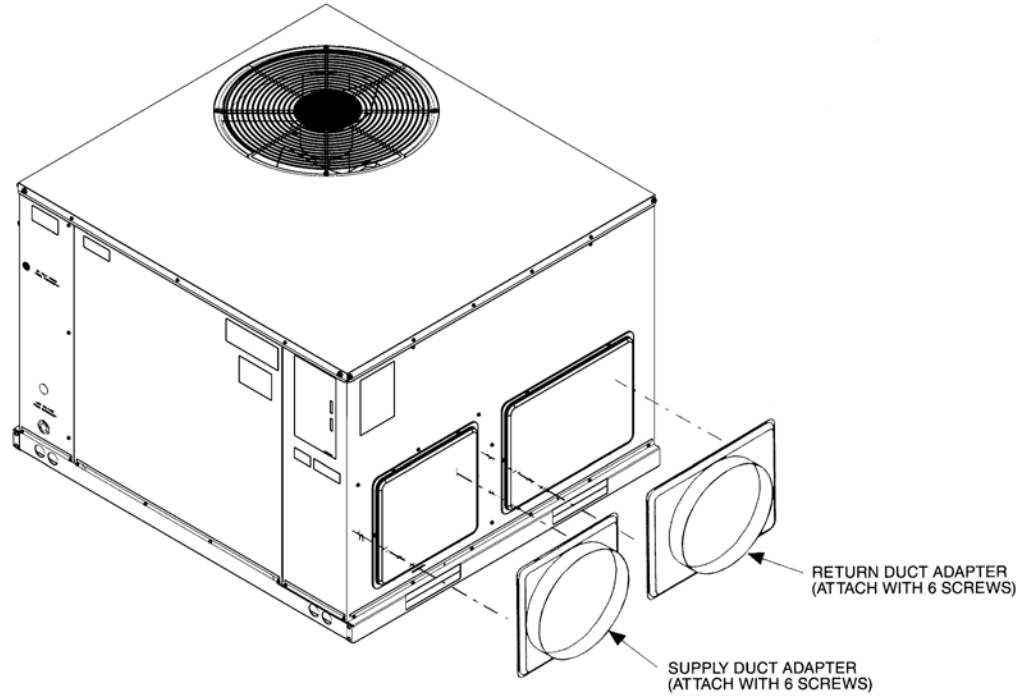
[ ] Designates Metric Conversions

Airflow Pressure Drop, Inches W.C. [kPa]		
CFM [L/s]	1" Filter	2" Filter
500 [236]	.02 [.0050]	.03 [.0075]
600 [283]	.02 [.0050]	.03 [.0075]
700 [330]	.03 [.0075]	.04 [.0010]
800 [378]	.04 [.0010]	.05 [.0124]
900 [425]	.05 [.0124]	.06 [.0149]
1000 [472]	.07 [.0174]	.08 [.0199]
1100 [519]	.08 [.0199]	.09 [.0224]
1200 [566]	.10 [.0249]	.12 [.0299]
1300 [614]	.13 [.0324]	.15 [.0373]
1400 [661]	.16 [.0398]	.19 [.0473]
1500 [708]	.19 [.0473]	.21 [.0523]
1600 [755]	.20 [.0498]	.23 [.0572]
1700 [802]	.21 [.0523]	.24 [.0598]
1800 [850]	.22 [.0548]	.25 [.0623]
1900 [897]	.24 [.0598]	.27 [.0672]
2000 [944]	.26 [.0647]	.29 [.0722]

## DUCT ADAPTER SIDEFLOW SQUARE TO ROUND TRANSITION AXMC-BA01

Adapts the side rectangular supply and return openings to 14" [356 mm] diameter round openings. Adapters provided with same finish as unit and also provided with thermal insulation.

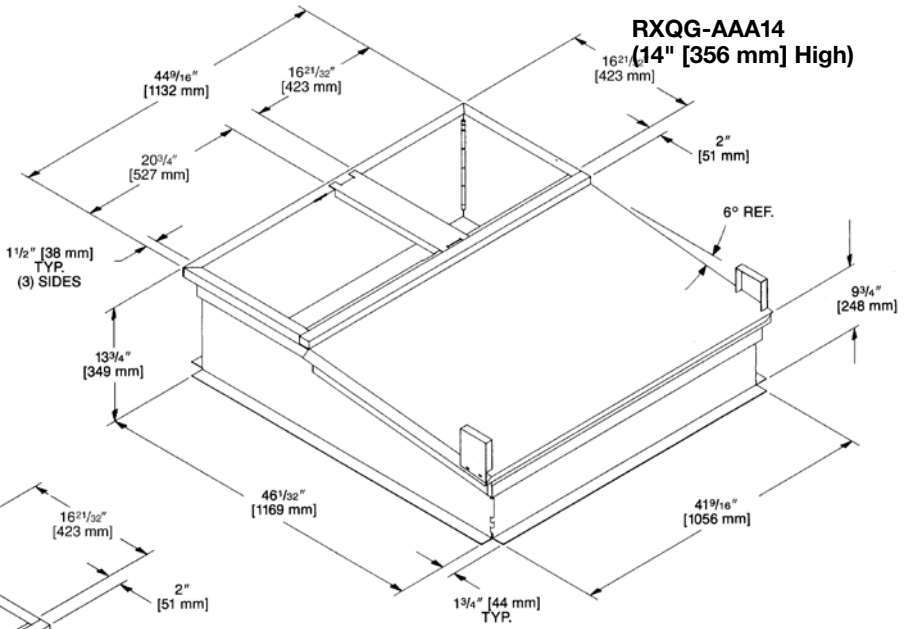
[ ] Designates Metric Conversions



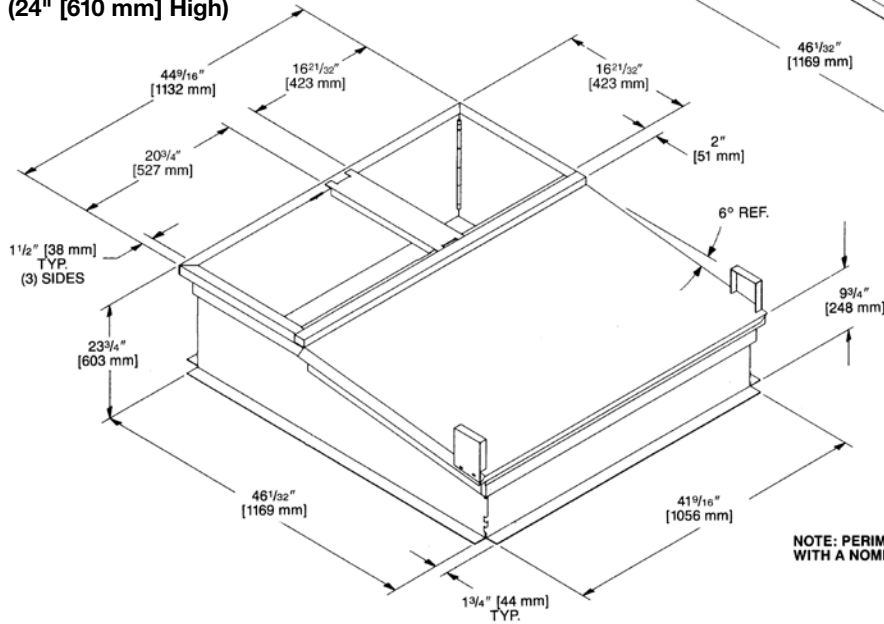
## Roofcurb (Sloped) RXQG-AAA14 & RXQG-AAA24 for RQPL- Series

Note: Heat pump models must use sloped curbs.

Hinged corners make for fast, easy set-up.

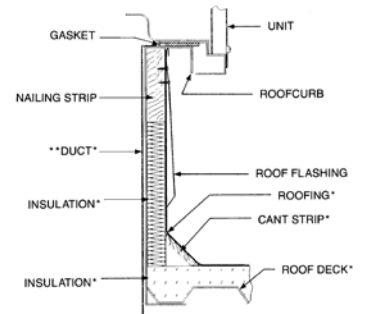
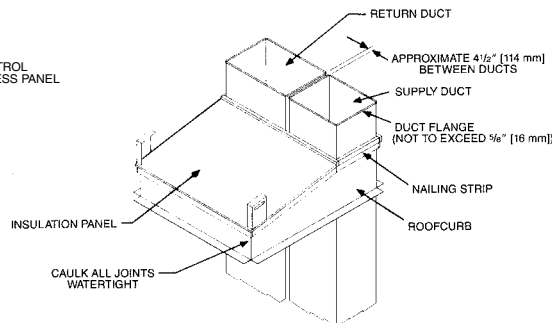
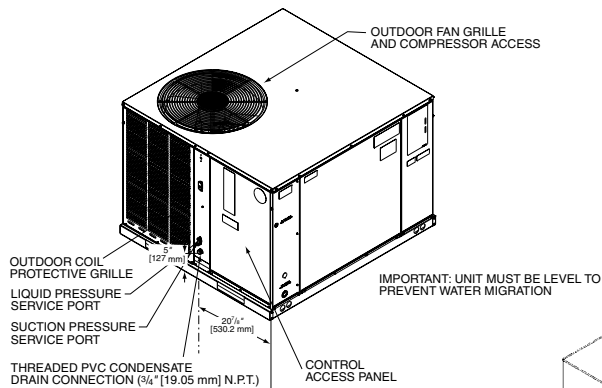


## RXQG-AAA24 (24" [610 mm] High)



NOTE: PERIMETER OF ROOFCURB IS SUPPLIED WITH A NOMINAL 1" [25.4 mm] x 4" [102 mm] PINE NAILING STRIP.

## Packaged Heat Pump Roofcurb Installation (Sloped)

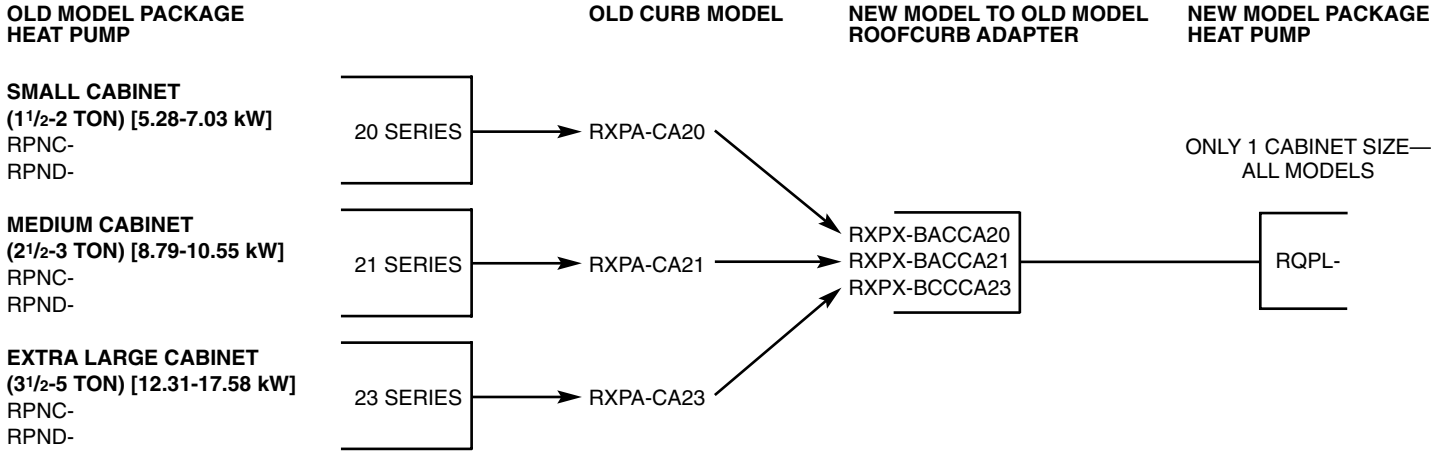


\*BY CONTRACTOR  
\*\*FOR INSTALLATION OF DUCT AS SHOWN, USE RECOMMENDED DUCT SIZES FROM ROOFCURB INSTALLATION INSTRUCTIONS. FOR DUCT FLANGE ATTACHMENT TO UNIT, SEE UNIT INSTALLATION INSTRUCTIONS FOR RECOMMENDED DUCT SIZES.

[ ] Designates Metric Conversions

# ROOFCURB ADAPTERS

Fabricated from galvanized steel to adapt the New cabinet to the old style curb. All are furnished with a New gasket.



[ ] Designates Metric Conversions









The new degree of comfort.®

**BEFORE PURCHASING THIS APPLIANCE, READ IMPORTANT ENERGY COST AND EFFICIENCY INFORMATION AVAILABLE FROM YOUR RETAILER.**

**GENERAL TERMS OF LIMITED WARRANTY\***

Rheem will furnish a replacement for any part of this product which fails in normal use and service within the applicable periods stated, in accordance with the terms of the limited warranty.

**\*For complete details of the Limited and Conditional Warranties, including applicable terms and conditions, contact your local contractor or the Manufacturer for a copy of the product warranty certificate.**

**Conditional Parts (Registration Required)**

1 Phase, Residential Applications ..... Ten (10) Years

**Compressor**

1 Phase, Residential Applications ..... Ten (10) Years

1 & 3 Phase, Commercial Applications ..... Five (5) Years

**Parts**

1 & 3 Phase, Commercial Applications ..... One (1) Year

*In keeping with its policy of continuous progress and product improvement, Rheem reserves the right to make changes without notice.*

Rheem Heating, Cooling & Water Heating • 5600 Old Greenwood Road  
Fort Smith, Arkansas 72908 • [www.rheem.com](http://www.rheem.com)

Rheem Canada Ltd./Ltée • 125 Edgeware Road, Unit 1  
Brampton, Ontario • L6Y 0P5