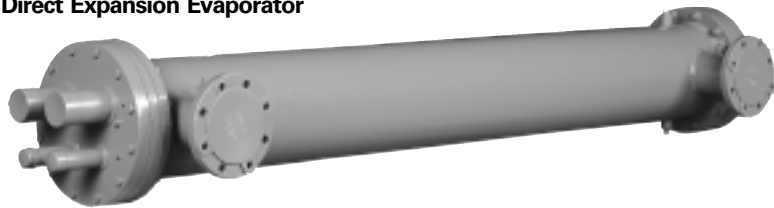


Shell and Tube Evaporators and Condensers from ServiceFirst™

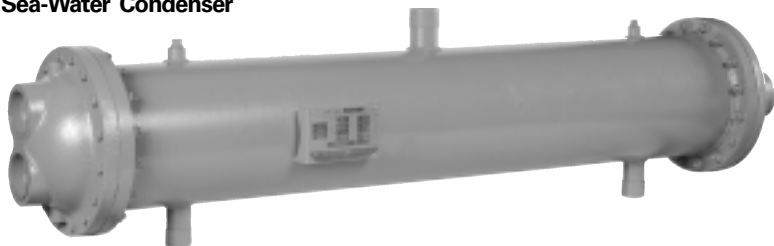
Direct Expansion Evaporator



Fresh Water Condenser



Sea-Water Condenser



Features and Benefits

Introduction

ServiceFirst™ offers ACME DXT shell and tube evaporators, condensers and marine condensers. These components utilize the latest technology tubing available.

DXT/DXC Evaporators

ACME DXT/DXC evaporators are designed specifically for refrigerant evaporation. Enhancements on the outside and the inside produce exceptional performance and efficiency. Refrigerant boils readily against the surface, reducing the overall vessel size.

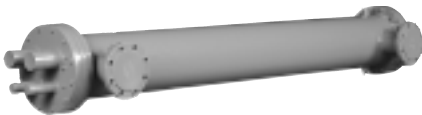
The evaporators are carefully engineered to provide excellent heat transfer rates, effective refrigerant boiling and assured oil carry-through. Shell circuits are engineered to provide high performance with a low-pressure drop to conserve the required pumping power.

The DXT/DXC's are designed for optimum heat transfer rates and features rolled-in tubes and removable heads. Shell side baffling is selected for high operating efficiency and reasonable fluid pressure drops.

Compliance with ASME codes and quality controlled manufacturing make the cooler suitable for a wide variety of virtually trouble-free fluid cooling applications.

The evaporator is available in either left hand or right hand fluid connections and available to be constructed with heat tape as an option.

- High performance tubes for more economical cooling.
- Serviceable through tube design, removable heads.
- Controlled refrigerant velocities for positive oil return and low refrigerant pressure drop.
- Rolled-in tubes and removable heads.
- Shell side baffling provided for high operating efficiency and reasonable fluid pressure drops.



AHX and CRX Condensers

All AHX and CRX condensers are manufactured with enhanced $\frac{3}{4}$ " diameter tubing to provide heavy wall construction and ease of service from commonly available tube cleaning devices. The condenser has a steel shell and tube sheet with rugged cast bonnets.

These condensers are for fresh water duty. Small tonnage condensers include special multi-pass heads and are manufactured in very large quantities to provide the highest capacity per ton available.

The condensers feature $\frac{3}{4}$ " enhanced surface straight copper tubing roller expanded into heavy steel tube sheets. The tube sheet is welded to the shell. Cast end bonnets are bolted to the tube sheet. The number of passes is important as it controls the velocity of the fluid cooling the hot refrigerant. Refrigerant is piped to the shell circuit in this line of condensers so that the tube circuit can be mechanically cleaned using common cleaning devices such as brushes.

- Serviceable rolled tube, removable head design.
- Mechanically cleanable.
- ASME Code constructed.
- Available from stock in standard sizes.



MHX Marine Condensers

All MHX marine condensers are manufactured with enhanced $\frac{3}{4}$ " diameter 90/10 copper nickel tubing to provide heavy wall construction and ease of service from commonly available tube cleaning devices.

These condensers are engineered for marine duty where seawater flows through the tube circuit.

- 90/10 cupro-nickel tubes and tube sheets.
- Valve bronze heads.
- High performance, high efficiency heat transfer surface.
- High pressure design.
- Serviceable rolled tube, removable head design.
- Mechanically cleanable.
- ASME Code constructed.
- Standard models available from stock.



Contents

Features and Benefits	2
Model Number Description	4
General Data	5
Performance Data	10
Dimensional Data	12
Weights	19
Construction Specifications	21

Model Number Description

Evaporator and Condenser Model Number

STX **A** **005** **G** **A** **BO** **0** **A** **02** **1** **1** **A**
 1,2,3 4 5,6,7 8 9 10,11 12 13 14,15 16 17 18

Digits 1-3 – Unit Model

Shell and Tube Heat Exchanger

Digit 4 – Development Sequence

A = 1st development sequence

Digits 5-7 – Nominal Tons

001 = 1 Ton
 002 = 2 Tons
 003 = 3 Tons
 004 = 4 Tons
 005 = 5 Tons
 006 = 6 Tons
 007 = 7 Tons
 008 = 7.5 Tons
 009 = 9 Tons
 010 = 10 Tons
 013 = 13 Tons
 014 = 14 Tons
 015 = 15 Tons
 018 = 18 Tons
 020 = 20 Tons
 022 = 22 Tons
 023 = 23 Tons
 025 = 25 Tons
 026 = 26 Tons
 030 = 30 Tons
 031 = 31 Tons
 034 = 34 Tons
 035 = 35 Tons
 036 = 36 Tons
 038 = 38 Tons
 040 = 40 Tons
 042 = 42 Tons
 045 = 45 Tons
 047 = 47 Tons
 050 = 50 Tons
 051 = 51 Tons
 060 = 60 Tons
 063 = 63 Tons
 065 = 65 Tons
 070 = 70 Tons
 075 = 75 Tons
 080 = 80 Tons
 085 = 85 Tons
 086 = 86 Tons
 090 = 90 Tons
 095 = 95 Tons
 100 = 100 Tons
 108 = 108 Tons
 110 = 110 Tons
 120 = 120 Tons
 125 = 125 Tons
 140 = 140 Tons
 150 = 150 Tons
 156 = 156 Tons
 180 = 180 Tons
 200 = 200 Tons
 250 = 250 Tons

Digit 8

G = Generic Design
 T = Trane Design

Digit 9 – Type

A = Evaporator – R.H. w/Insulation
 B = Evaporator – L.H. w/Insulation
 C = Evaporator – R.H. w/Insulation and Heat Tape
 D = Evaporator – L.H. w/Insulation and Heat Tape
 E = Condenser
 F = Marine Condenser
 H = DXC Evaporator – R.H. w/Insulation
 J = DXC Evaporator – L.H. w/Insulation
 K = DXC Evaporator – R.H. w/Insulation and Heat Tape
 L = DXC Evaporator – L.H. w/Insulation and Heat Tape

Digits 10-11 – Design Sequence

BO = 2nd Design

Digit 12 – Agency

0 = None

Digit 13 – Nominal Shell Diameter (In.)

A = 5 In.
 B = 6 In.
 C = 8 In.
 D = 10 In.
 E = 12 In.
 F = 14 In.
 G = 16 In.
 H = 18 In.
 J = 20 In.
 K = 3 In.
 L = 4 In.

Digits 14-15 – Nominal Shell Length (Ft)

02 = 2 Ft.
 03 = 3 Ft.
 04 = 4 Ft.
 05 = 5 Ft.
 06 = 6 Ft.
 07 = 7 Ft.
 08 = 8 Ft.
 09 = 9 Ft.
 10 = 10 Ft.
 11 = 11 Ft.
 12 = 12 Ft.

Digit 16 – Passes

1 = 1 Pass
 2 = 2 Pass
 4 = 4 Pass
 6 = 6 Pass

Digit 17 – Circuits

1 = One Circuit
 2 = Two Circuit

Digit 18 – Tube Material

A = Copper
 B = 90/10 CUNI

General Data

Table G-1 – DXT Shell and Tube Evaporators

ServiceFirst Item Number	ServiceFirst Model Number	ACME Model Number	Connection	Insulation	Heat Tape
EVP00916	STXA003GAB00A0341A	DXT-503-Q4-1C	RH	YES	NO
EVP00917	STXA003GCB00A0341A		RH	YES	YES
EVP00918	STXA003GGB00A0341A		LH	YES	NO
EVP00919	STXA003GDB00A0341A		LH	YES	YES
EVP00920	STXA006GAB00A0441A	DXT-504-Q4-1C	RH	YES	NO
EVP00921	STXA006GCB00A0441A		RH	YES	YES
EVP00922	STXA006GGB00A0441A		LH	YES	NO
EVP00923	STXA006GDB00A0441A		LH	YES	YES
EVP00924	STXA010GAB00A0541A	DXT-505-Q4-1C	RH	YES	NO
EVP00925	STXA010GCB00A0541A		RH	YES	YES
EVP00926	STXA010GGB00A0541A		LH	YES	NO
EVP00927	STXA010GDB00A0541A		LH	YES	YES
EVP00928	STXA015GAB00B0541A	DXT-605-Q4-1C	RH	YES	NO
EVP00929	STXA015GCB00B0541A		RH	YES	YES
EVP00930	STXA015GGB00B0541A		LH	YES	NO
EVP00931	STXA015GDB00B0541A		LH	YES	YES
EVP00932	STXA020GAB00C0441A	DXT-804-Q4-1C	RH	YES	NO
EVP00933	STXA020GCB00C0441A		RH	YES	YES
EVP00934	STXA020GGB00C0441A		LH	YES	NO
EVP00935	STXA020GDB00C0441A		LH	YES	YES
EVP00936	STXA020GAB00C0442A	DXT-804-Q4-2C	RH	YES	NO
EVP00937	STXA020GCB00C0442A		RH	YES	YES
EVP00938	STXA020GGB00C0442A		LH	YES	NO
EVP00939	STXA020GDB00C0442A		LH	YES	YES
EVP00940	STXA025GAB00C0541A	DXT-805-Q4-1C	RH	YES	NO
EVP00941	STXA025GCB00C0541A		RH	YES	YES
EVP00942	STXA025GGB00C0541A		LH	YES	NO
EVP00943	STXA025GDB00C0541A		LH	YES	YES
EVP00944	STXA025GAB00C0542A	DXT-805-Q4-2C	RH	YES	NO
EVP00945	STXA025GCB00C0542A		RH	YES	YES
EVP00946	STXA025GGB00C0542A		LH	YES	NO
EVP00947	STXA025GDB00C0542A		LH	YES	YES
EVP00948	STXA030GAB00C0621A	DXT-806-R2-1C	RH	YES	NO
EVP00949	STXA030GCB00C0621A		RH	YES	YES
EVP00950	STXA030GGB00C0621A		LH	YES	NO
EVP00951	STXA030GDB00C0621A		LH	YES	YES
EVP00952	STXA030GAB00C0622A	DXT-806-R2-2C	RH	YES	NO
EVP00953	STXA030GCB00C0622A		RH	YES	YES
EVP00954	STXA030GGB00C0622A		LH	YES	NO
EVP00955	STXA030GDB00C0622A		LH	YES	YES

General Data

Table G-1 (Continued) – DXT Shell and Tube Evaporators

ServiceFirst Item Number	ServiceFirst Model Number	ACME Model Number	Connection	Insulation	Heat Tape
EVP00956	STXA040GAB00C0721A	DXT-807-R2-1C	RH	YES	NO
EVP00957	STXA040GCB00C0721A		RH	YES	YES
EVP00958	STXA040GBB00C0721A		LH	YES	NO
EVP00959	STXA040GDB00C0721A		LH	YES	YES
EVP00960	STXA040GAB00C0722A	DXT-807-R2-2C	RH	YES	NO
EVP00961	STXA040GCB00C0722A		RH	YES	YES
EVP00962	STXA040GBB00C0722A		LH	YES	NO
EVP00963	STXA040GDB00C0722A		LH	YES	YES
EVP00964	STXA050GAB00D0722A	DXT-1007-S2-2C	RH	YES	NO
EVP00965	STXA050GCB00D0722A		RH	YES	YES
EVP00966	STXA050GBB00D0722A		LH	YES	NO
EVP00967	STXA050GDB00D0722A		LH	YES	YES
EVP00968	STXA060GAB00D0822A	DXT-1008-S2-2C	RH	YES	NO
EVP00969	STXA060GCB00D0822A		RH	YES	YES
EVP00970	STXA060GBB00D0822A		LH	YES	NO
EVP00971	STXA060GDB00D0822A		LH	YES	YES
EVP00972	STXA075GAB00D0922A	DXT-1009-S2-2C	RH	YES	NO
EVP00973	STXA075GCB00D0922A		RH	YES	YES
EVP00974	STXA075GBB00D0922A		LH	YES	NO
EVP00975	STXA075GDB00D0922A		LH	YES	YES
EVP00976	STXA100GAB00E1022A	DXT-1208-S2-2C	RH	YES	NO
EVP00977	STXA100GCB00E1022A		RH	YES	YES
EVP00978	STXA100GBB00E1022A		LH	YES	NO
EVP00979	STXA100GDB00E1022A		LH	YES	YES
EVP00980	STXA125GAB00F1022A	DXT-1410-S2-2C	RH	YES	NO
EVP00981	STXA125GCB00F1022A		RH	YES	YES
EVP00982	STXA125GBB00F1022A		LH	YES	NO
EVP00983	STXA125GDB00F1022A		LH	YES	YES
EVP00984	STXA150GAB00G1022A	DXT-1610-S2-2C	RH	YES	NO
EVP00985	STXA150GCB00G1022A		RH	YES	YES
EVP00986	STXA150GBB00G1022A		LH	YES	NO
EVP00987	STXA150GDB00G1022A		LH	YES	YES
EVP00988	STXA200GAB00H1022A	DXT-1810-RS2-2C	RH	YES	NO
EVP00989	STXA200GCB00H1022A		RH	YES	YES
EVP00990	STXA200GBB00H1022A		LH	YES	NO
EVP00991	STXA200GDB00H1022A		LH	YES	YES
EVP00992	STXA250GAB00J1022A	DXT-2010-RS2-2C	RH	YES	NO
EVP00993	STXA250GCB00J1022A		RH	YES	YES
EVP00994	STXA250GBB00J1022A		LH	YES	NO
EVP00995	STXA250GDB00J1022A		LH	YES	YES

General Data

Table G-2 – DXC Shell and Tube Evaporators

ServiceFirst Item Number	Service First Model Number	Acme Model Number	Connection	Insulation	Heat Tape
EVP01061	STXA001GHB00K0241A	DXC 302-Q-4P-1C	RH	YES	NO
EVP01062	STXA001GKB00K0241A	DXC 302-Q-4P-1C	RH	YES	YES
EVP01063	STXA001GJB00K0241A	DXC 302-Q-4P-1C	LH	YES	NO
EVP01064	STXA001GLB00K0241A	DXC 302-Q-4P-1C	LH	YES	YES
EVP01065	STXA002GHB00K0341A	DXC 303-Q-4P-1C	RH	YES	NO
EVP01066	STXA002GKB00K0341A	DXC 303-Q-4P-1C	RH	YES	YES
EVP01067	STXA002GJB00K0341A	DXC 303-Q-4P-1C	LH	YES	NO
EVP01068	STXA002GLB00K0341A	DXC 303-Q-4P-1C	LH	YES	YES
EVP01069	STXA004GHB00K0441A	DXC 304-Q-4P-1C	RH	YES	NO
EVP01070	STXA004GKB00K0441A	DXC 304-Q-4P-1C	RH	YES	YES
EVP01071	STXA004GJB00K0441A	DXC 304-Q-4P-1C	LH	YES	NO
EVP01072	STXA004GLB00K0441A	DXC 304-Q-4P-1C	LH	YES	YES
EVP01073	STXA005GHB00L0441A	DXC 404-Q-4P-1C	RH	YES	NO
EVP01074	STXA005GKB00L0441A	DXC 404-Q-4P-1C	RH	YES	YES
EVP01075	STXA005GJB00L0441A	DXC 404-Q-4P-1C	LH	YES	NO
EVP01076	STXA005GLB00L0441A	DXC 404-Q-4P-1C	LH	YES	YES
EVP01077	STXA005GHB00B0341A	DXC 603-R-4P-1C	RH	YES	NO
EVP01078	STXA005GKB00B0341A	DXC 603-R-4P-1C	RH	YES	YES
EVP01079	STXA005GJB00B0341A	DXC 603-R-4P-1C	LH	YES	NO
EVP01080	STXA005GLB00B0341A	DXC 603-R-4P-1C	LH	YES	YES
EVP01081	STXA008GHB00L0541A	DXC 405-R-4P-1C	RH	YES	NO
EVP01082	STXA008GKB00L0541A	DXC 405-R-4P-1C	RH	YES	YES
EVP01083	STXA008GJB00L0541A	DXC 405-R-4P-1C	LH	YES	NO
EVP01084	STXA008GLB00L0541A	DXC 405-R-4P-1C	LH	YES	YES
EVP01085	STXA010GHB00B0441A	DXC 604-R-4P-1C	RH	YES	NO
EVP01086	STXA010GKB00B0441A	DXC 604-R-4P-1C	RH	YES	YES
EVP01087	STXA010GJB00B0441A	DXC 604-R-4P-1C	LH	YES	NO
EVP01088	STXA010GLB00B0441A	DXC 604-R-4P-1C	LH	YES	YES
EVP01089	STXA010GHB00B0522A	DXC 605-R-2P-2C	RH	YES	NO
EVP01090	STXA010GKB00B0522A	DXC 605-R-2P-2C	RH	YES	YES
EVP01091	STXA010GJB00B0522A	DXC 605-R-2P-2C	LH	YES	NO
EVP01092	STXA010GLB00B0522A	DXC 605-R-2P-2C	LH	YES	YES
EVP01093	STXA015GHB00B0541A	DXC 605-RS-4P-1C	RH	YES	NO
EVP01094	STXA015GKB00B0541A	DXC 605-RS-4P-1C	RH	YES	YES
EVP01095	STXA015GJB00B0541A	DXC 605-RS-4P-1C	LH	YES	NO
EVP01096	STXA015GLB00B0541A	DXC 605-RS-4P-1C	LH	YES	YES
EVP01097	STXA015GHB00B0522A	DXC 605-Q-2P-2C	RH	YES	NO
EVP01098	STXA015GKB00B0522A	DXC 605-Q-2P-2C	RH	YES	YES
EVP01099	STXA015GJB00B0522A	DXC 605-Q-2P-2C	LH	YES	NO
EVP01100	STXA015GLB00B0522A	DXC 605-Q-2P-2C	LH	YES	YES
EVP01101	STXA020GHB00B0641A	DXC 606-RS-4P-1C	RH	YES	NO
EVP01102	STXA020GKB00B0641A	DXC 606-RS-4P-1C	RH	YES	YES
EVP01103	STXA020GJB00B0641A	DXC 606-RS-4P-1C	LH	YES	NO
EVP01104	STXA020GLB00B0641A	DXC 606-RS-4P-1C	LH	YES	YES

General Data

Table G-2 (Continued) – DXC Shell and Tube Evaporators

ServiceFirst Item Number	Service First Model Number	Acme Model Number	Connection	Insulation	Heat Tape
EVP01105	STXA020GHB00B0622A	DXC 606-R-2P-2C	RH	YES	NO
EVP01106	STXA020GKB00B0622A	DXC 606-R-2P-2C	RH	YES	YES
EVP01141	STXA020GJB00B0622A	DXC 606-R-2P-2C	LH	YES	NO
EVP01142	STXA020GLB00B0622A	DXC 606-R-2P-2C	LH	YES	YES
EVP01143	STXA020GHB00C0341A	DXC 803-RS-4P-1C	RH	YES	NO
EVP01144	STXA020GKB00C0341A	DXC 803-RS-4P-1C	RH	YES	YES
EVP01107	STXA020GJB00C0341A	DXC 803-RS-4P-1C	LH	YES	NO
EVP01108	STXA020GLB00C0341A	DXC 803-RS-4P-1C	LH	YES	YES
EVP01109	STXA020GHB00C0422A	DXC 804-RS-2P-2C	RH	YES	NO
EVP01110	STXA020GKB00C0422A	DXC 804-RS-2P-2C	RH	YES	YES
EVP01111	STXA020GJB00C0422A	DXC 804-RS-2P-2C	LH	YES	NO
EVP01112	STXA020GLB00C0422A	DXC 804-RS-2P-2C	LH	YES	YES
EVP01113	STXA025GHB00B0641A	DXC 606-R-4P-1C	RH	YES	NO
EVP01114	STXA025GKB00B0641A	DXC 606-R-4P-1C	RH	YES	YES
EVP01115	STXA025GJB00B0641A	DXC 606-R-4P-1C	LH	YES	NO
EVP01116	STXA025GLB00B0641A	DXC 606-R-4P-1C	LH	YES	YES
EVP01117	STXA036GHB00C0441A	DXC 804-S-4P-1C	RH	YES	NO
EVP01118	STXA036GKB00C0441A	DXC 804-S-4P-1C	RH	YES	YES
EVP01119	STXA036GJB00C0441A	DXC 804-S-4P-1C	LH	YES	NO
EVP01120	STXA036GLB00C0441A	DXC 804-S-4P-1C	LH	YES	YES
EVP01121	STXA038GHB00C0522A	DXC 805-S-2P-2C	RH	YES	NO
EVP01122	STXA038GKB00C0522A	DXC 805-S-2P-2C	RH	YES	YES
EVP01123	STXA038GJB00C0522A	DXC 805-S-2P-2C	LH	YES	NO
EVP01124	STXA038GLB00C0522A	DXC 805-S-2P-2C	LH	YES	YES
EVP01125	STXA040GHB00C0441A	DXC 804-RS-4P-1C	RH	YES	NO
EVP01126	STXA040GKB00C0441A	DXC 804-RS-4P-1C	RH	YES	YES
EVP01127	STXA040GJB00C0441A	DXC 804-RS-4P-1C	LH	YES	NO
EVP01128	STXA040GLB00C0441A	DXC 804-RS-4P-1C	LH	YES	YES
EVP01129	STXA042GHB00C0522A	DXC 805-RS-2P-2C	RH	YES	NO
EVP01130	STXA042GKB00C0522A	DXC 805-RS-2P-2C	RH	YES	YES
EVP01131	STXA042GJB00C0522A	DXC 805-RS-2P-2C	LH	YES	NO
EVP01132	STXA042GLB00C0522A	DXC 805-RS-2P-2C	LH	YES	YES
EVP01133	STXA060GHB00C0621A	DXC 806-S-2P-1C	RH	YES	NO
EVP01134	STXA060GKB00C0621A	DXC 806-S-2P-1C	RH	YES	YES
EVP01135	STXA060GJB00C0621A	DXC 806-S-2P-1C	LH	YES	NO
EVP01136	STXA060GLB00C0621A	DXC 806-S-2P-1C	LH	YES	YES
EVP01137	STXA060GHB00C0622A	DXC 806-S-2P-2C	RH	YES	NO
EVP01138	STXA060GKB00C0622A	DXC 806-S-2P-2C	RH	YES	YES
EVP01139	STXA060GJB00C0622A	DXC 806-S-2P-2C	LH	YES	NO
EVP01140	STXA060GLB00C0622A	DXC 806-S-2P-2C	LH	YES	YES

General Data

Table G-3 – CRX/AHX Fresh Water Condensers

ServiceFirst Item Number	ServiceFirst Model Number	ACME Model Number
CDS00924	STXA008GEB00B0261A	CRX-602A-6
CDS00925	STXA009GEB00B0261A	CRX-602B-6
CDS00926	STXA015GEB00B0341A	CRX-603B-4
CDS00927	STXA020GEB00B0441A	CRX-604C-4
CDS00928	STXA025GEB00B0441A	CRX-604D-4
CDS00929	STXA026GEB00B0521A	AHX-605C-2
CDS00930	STXA030GEB00B0521A	AHX-605D-2
CDS00931	STXA045GEB00C0521A	AHX-805A-2
CDS00932	STXA050GEB00C0621A	AHX-806A-2
CDS00933	STXA065GEB00D0521A	AHX-1005A-2
CDS00934	STXA075GEB00D0621A	AHX-1006A-2
CDS00935	STXA090GEB00E0521A	AHX-1205A-2
CDS00936	STXA110GEB00E0621A	AHX-1206A-2
CDS00937	STXA140GEB00E0811A	AHX-1208A-1
CDS00938	STXA150GEB00E0811A	AHX-1208B-1
CDS00939	STXA200GEB00E1011A	AHX-1210B-1

Table G-4 – MHX Sea Water Condensers

ServiceFirst Item Number	ServiceFirst Model Number	ACME Model Number
CDS00940	STXA005GFB00B0241B	MHX-602-B-4
CDS00941	STXA008GFB00B0241B	MHX-602-D-4
CDS00942	STXA015GFB00B0341B	MHX-603-D-4
CDS00943	STXA020GFB00B0441B	MHX-604-D-4
CDS00944	STXA025GFB00A0521B	MHX-605-D-2
CDS00945	STXA030GFB00B0621B	MHX-606-D-2
CDS00946	STXA035GFB00C0521B	MHX-805-A-2
CDS00947	STXA045GFB00C0621B	MHX-806-A-2
CDS00948	STXA050GFB00D0521B	MHX-1005-A-2
CDS00949	STXA065GFB00D0621B	MHX-1006-A-2
CDS00951	STXA090GFB00D0821B	MHX-1008-A-2
CDS00950	STXA070GFB00E0521B	MHX-1205-A-2
CDS00952	STXA125GFB00E0821B	MHX-1208-A-2

Table G-5 – Stock Cast Iron Saddle

Service First Item Number	KETEMA Part Number	ACME Model Number
BRK2200	4191Y001	C-2500-1
BRK2201	4191Y002	C-2500-2
BRK2202	4191Y003	C-2500-3
BRK2203	4191Y004	C-2500-4
BRK2204	4191Y005	C-2500-5
BRK2205	4191Y007	C-2500-7
BRK2206	4191Y009	C-2500-9
BRK2207	4191Y010	C-2500-10

Performance Data

Table PD-1 – ACME DXT Evaporators

ServiceFirst									
Item Number	RH	RH w/HT	LH	LH w/HT	ACME Model Number	Rated Tons	No. Refrig Circuits	GPM	Water Pressure Drop (PSI)
EVP00916	EVP00917	EVP00918	EVP00919	DXT-503-Q-4P-1C	2.9	1	6.9	0.7	
EVP00920	EVP00921	EVP00922	EVP00923	DXT-504-Q-4P-1C	6.6	1	15.8	2.1	
EVP00924	EVP00925	EVP00926	EVP00927	DXT-505-Q-4P-1C	9.6	1	22.9	5.5	
EVP00928	EVP00929	EVP00930	EVP00931	DXT-605-Q-4P-1C	14	1	33.4	5	
EVP00932	EVP00933	EVP00934	EVP00935	DXT-804-Q-4P-1C	19	1	44.9	2.4	
EVP00936	EVP00937	EVP00938	EVP00939	DXT-804-Q-4P-2C	19	2	44.9	2.4	
EVP00940	EVP00941	EVP00942	EVP00943	DXT-805-Q-4P-1C	26	1	62.9	5.8	
EVP00944	EVP00945	EVP00946	EVP00947	DXT-805-Q-4P-2C	26	2	62.9	5.8	
EVP00948	EVP00949	EVP00950	EVP00951	DXT-806-R-2P-1C	28	1	66	4	
EVP00952	EVP00953	EVP00954	EVP00955	DXT-806-R-2P-2C	28	2	66	4	
EVP00956	EVP00957	EVP00958	EVP00959	DXT-807-R-2P-1C	38	1	89.9	8.4	
EVP00960	EVP00961	EVP00962	EVP00963	DXT-807-R-2P-2C	38	2	89.9	8.4	
EVP00964	EVP00965	EVP00966	EVP00967	DXT-1007-S-2P-2C	48	2	114.4	2.6	
EVP00968	EVP00969	EVP00970	EVP00971	DXT-1008-S-2P-2C	64	2	153.4	5.3	
EVP00972	EVP00973	EVP00974	EVP00975	DXT-1009-S-2P-2C	76	2	181.6	8.8	
EVP00976	EVP00977	EVP00978	EVP00979	DXT-1208-S-2P-2C	98	2	234.6	7.3	
EVP00980	EVP00981	EVP00982	EVP00983	DXT-1410-S-2P-2C	127	2	301.8	6.7	
EVP00984	EVP00985	EVP00986	EVP00987	DXT-1610-S-2P-2C	156	2	370.4	6	
EVP00988	EVP00989	EVP00990	EVP00991	DXT-1810-RS-2P-2C	210	2	502.7	8.9	
EVP00992	EVP00993	EVP00994	EVP00995	DXT-2010-RS-2P-2C	266	2	636.5	8.3	

- Notes
a) R22 refrigerant, water on the fluid side, 12000 BTUH per ton.
b) .00025 additive fouling factor, .0005 total fouling factor.
c) 44°F leaving water temperature, 54°F entering water temperature.
d) 100°F entering refig temp, 35°F saturated suction temperature, 8°F superheat.

Table PD-2 – ACME DXC Evaporators

ServiceFirst									
Item Number	RH	RH w/HT	LH	LH w/HT	ACME Model Number	Rated Tons	No. Refrig Circuits	GPM	Water Pressure Drop (PSI)
EVP01061	EVP01062	EVP01063	EVP01064	DXC-302-Q-4P-1C	0.6	1	1.3	0.1	
EVP01065	EVP01066	EVP01067	EVP01068	DXC-303-Q-4P-1C	2.0	1	4.8	1.5	
EVP01069	EVP01070	EVP01071	EVP01072	DXC-304-Q-4P-1C	3.8	1	9.1	7.0	
EVP01073	EVP01074	EVP01075	EVP01076	DXC-404-Q-4P-1C	5.1	1	12.2	3.1	
EVP01077	EVP01078	EVP01079	EVP01080	DXC-603-R-4P-1C	5.0	1	11.9	0.2	
EVP01081	EVP01082	EVP01083	EVP01084	DXC-405-R-4P-1C	7.5	1	17.9	2.6	
EVP01085	EVP01086	EVP01087	EVP01088	DXC-604-R-4P-1C	11.5	1	27.4	1.4	
EVP01089	EVP01090	EVP01091	EVP01092	DXC-605-R-2P-2C	11.5	2	27.4	1.8	
EVP01093	EVP01094	EVP01095	EVP01096	DXC-605-RS-4P-1C	15.5	1	37.0	2.6	
EVP01097	EVP01098	EVP01099	EVP01100	DXC-605-Q-2P-2C	15.0	2	35.8	6.5	
EVP01101	EVP01102	EVP01103	EVP01104	DXC-606-RS-4P-1C	21.5	1	51.3	6.2	
EVP01105	EVP01106	EVP01141	EVP01142	DXC-606-R-2P-2C	19.1	2	45.3	5.9	
EVP01143	EVP01144	EVP01107	EVP01108	DXC-803-RS-4P-1C	22.5	1	53.7	1.6	
EVP01109	EVP01110	EVP01111	EVP01112	DXC-804-RS-2P-2C	21.0	2	50.1	1.6	
EVP01113	EVP01114	EVP01115	EVP01116	DXC-606-R-4P-1C	24.1	1	57.2	9.4	
EVP01117	EVP01118	EVP01119	EVP00120	DXC-804-S-4P-2C	36.0	1	85.9	2.7	
EVP01121	EVP01122	EVP01123	EVP01124	DXC-805-S-2P-2C	37.5	2	89.5	3.5	
EVP01125	EVP01126	EVP01127	EVP01128	DXC-804-RS-4P-1C	40.4	1	96.6	5.7	
EVP01129	EVP01130	EVP01131	EVP01132	DXC-805-RS-2P-2C	42.1	2	100.2	8.8	
EVP01133	EVP01134	EVP01135	EVP01136	DXC-806-S-2P-1C	57.3	1	136.0	9.1	
EVP01137	EVP01138	EVP01139	EVP01140	DXC-806-S-2P-2C	57.3	2	136.0	9.1	

- Notes
a) R22 refrigerant, water on the fluid side, 12000 BTUH per ton.
b) .00025 additive fouling factor, .0005 total fouling factor.
c) 44°F leaving water temperature, 54°F entering water temperature.
d) 100°F entering refig temp, 35°F saturated suction temperature, 8°F superheat.
RH = Right Hand, LH = Left Hand, HT = Heat Tape

Performance Data

Table PD-3 – ACME CRX Series Fresh Water Condensers

ServiceFirst Item Number	ACME Model Number	Rated Tons	Number of Passes	Water Flow Rate GPM	Water Pressure Drop (PSI)
CDS00924	CRX-602A-6	7.3	6	21.2	9.1
CDS00925	CRX-602B-6	8.9	6	25.8	9.5
CDS00926	CRX-603B-4	14.1	4	41	9
CDS00927	CRX-604C-4	18.7	4	43.5	10.4
CDS00928	CRX-604D-4	23.3	4	54	11.1

- a) R22 refrigerant, water on the fluid side, 14,400 BTUH per ton.
 b) .00025 additive fouling factor, .0005 total fouling factor.
 c) 85°F entering water temperature.
 d) 160°F entering refig temp, 105°F saturated condensing temperature.

Table PD-4– ACME AHX Series Fresh Water Condensers

ServiceFirst Item Number	ACME Model Number	Rated Tons	Number of Passes	Water Flow Rate GPM	Water Pressure Drop (PSI)
CDS00929	AHX-605-C-2	26	2	75	4.7
CDS00930	AHX-605-D-2	30	2	86.3	4.8
CDS00931	AHX-805-A-2	43	2	125	4.8
CDS00932	AHX-806-A-2	50	2	132.3	6
CDS00933	AHX-1005-A-2	65	2	187.5	4.9
CDS00934	AHX-1006-A-2	75	2	198.5	6
CDS00935	AHX-1205-A-2	90	2	262.5	5.7
CDS00936	AHX-1206-A-2	107	2	283.8	7.3
CDS00937	AHX-1208-A-1	137	1	396.9	1.9
CDS00938	AHX-1208-B-1	149	1	432	1.9
CDS00939	AHX-1210-B-1	203	1	585	3.9

- a) R22 refrigerant, water on the fluid side, 14,400 BTUH per ton.
 b) .00025 additive fouling factor, .0005 total fouling factor.
 c) 85°F entering water temperature.
 d) 160°F entering refig temp, 105°F saturated condensing temperature.

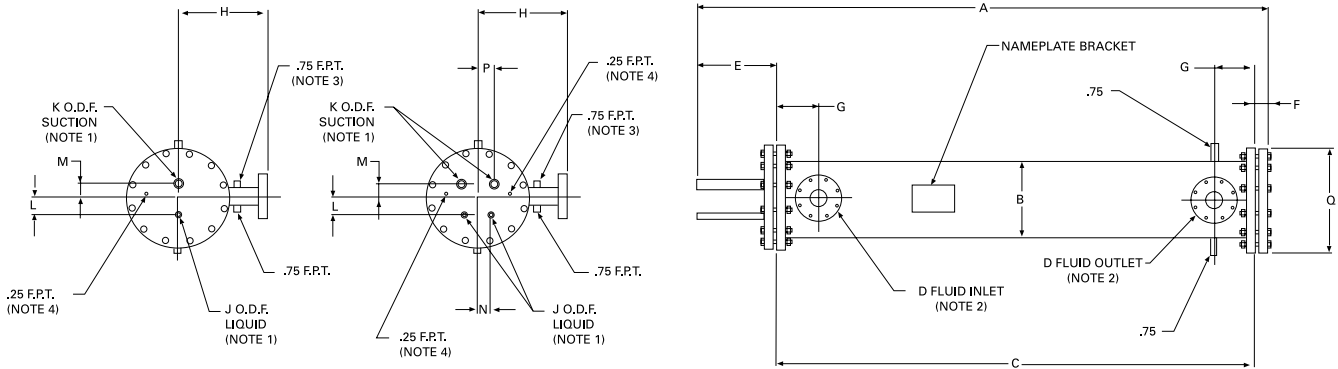
Table PD-5 – ACME MHX Series Marine Duty Condensers

ServiceFirst Item Number	ACME Model Number	Nameplate Tons	Number of Passes	Water Flow Rate GPM	Water Pressure Drop (PSI)
CDS00940	MHX-602-B-4	5.4	4	15.8	1.3
CDS00941	MHX-602-D-4	7.6	4	22.1	1.4
CDS00942	MHX-603-D-4	14	4	42	5.8
CDS00943	MHX-604-D-4	21	4	60.9	13.7
CDS00944	MHX-605-D-2	23	2	67.5	3
CDS00945	MHX-606-D-2	31	2	89.1	5.7
CDS00946	MHX-805-A-2	34	2	97.5	3
CDS00947	MHX-806-A-2	43	2	125.6	5.4
CDS00948	MHX-1005-A-2	51	2	148.2	3.1
CDS00949	MHX-1006-A-2	65	2	190.4	5.6
CDS00951	MHX-1008-A-2	88	2	234	9.9
CDS00950	MHX-1205-A-2	71	2	206.6	3.6
CDS00952	MHX-1208-A-2	132	2	382.5	15

- Notes:
 a) R22 refrigerant, sea water on the fluid side, 14,400 BTUH per ton.
 b) .00025 additive fouling factor, .0005 total fouling factor.
 c) 85°F entering water temperature.
 d) 160°F entering refig temp, 105°F saturated condensing temperature.

Dimensional Data

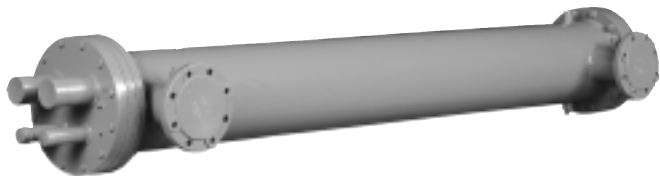
DXT Shell and Tube Evaporators



- CONSTRUCTION NOTES:
1. CONNECTIONS J & K ARE STEEL, WELDED TO HEAD AND BORED TO ODS OF COPPER TUBING.
 2. FLUID CONNECTIONS ARE MPT THRU 3" PIPE SIZE, 4" AND LARGER TERMINATE IN 150 LB. ANSI RAISED FACE STEEL FLANGES.
 3. BOTTOM CONNECTION ONLY ON 3" MPT AND SMALLER FLUID CONNECTION MODELS.
 4. EXTERNAL EQUALIZER CONNECTION.
 5. UNIT WITH 3/4" ARMAFLEX INSULATION, ADD 1 1/2" TO "B"; 3/4" TO "F" AND "A"; AND 1 1/2" TO "Q".
 6. RIGHT HAND CONNECTION SHOWN – LEFT AND RIGHT HAND CONNECTIONS ARE DETERMINED BY VIEWING THE REFRIGERANT CONNECTION END.

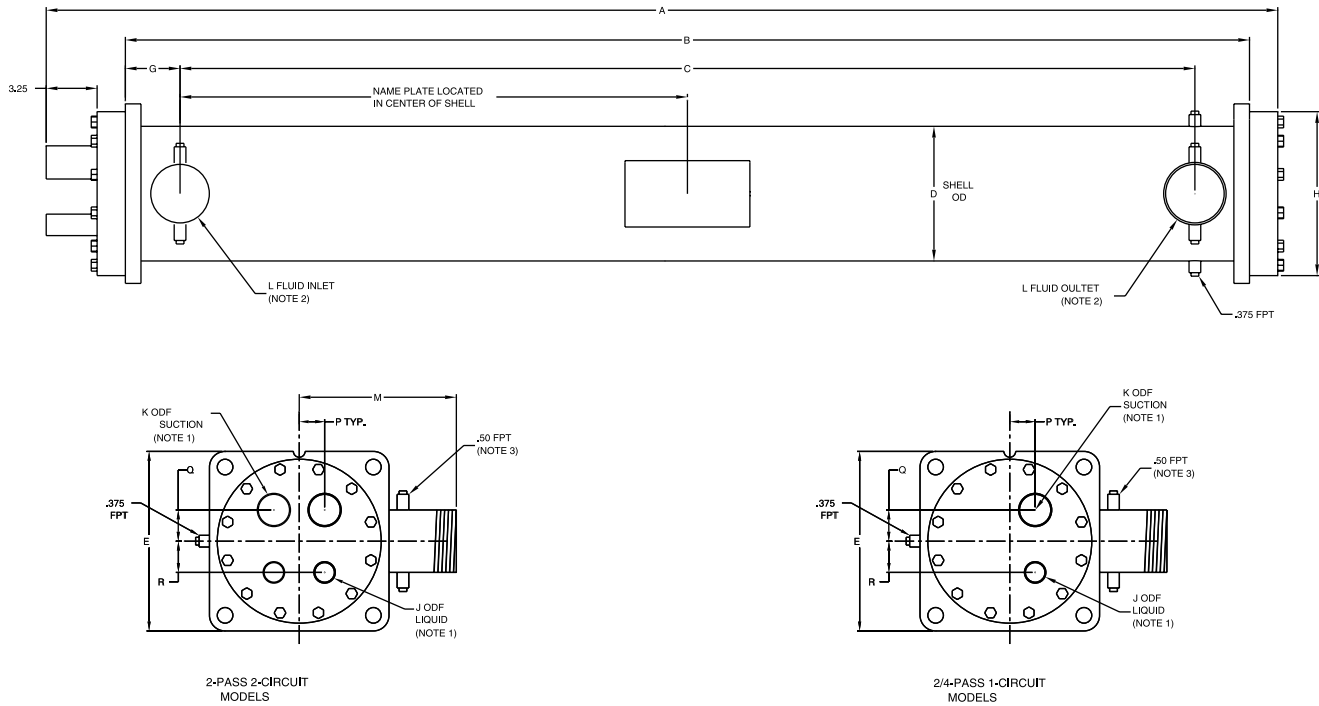
Dimensional Data – Inches

ServiceFirst Item Number	RH	RH w/HT	LH	LH w/HT	ACME Model Number	A (O.A.L.)	B	C	D	E	F	G	H	J (O.D.F.)	K (O.D.F.)	L	M	N	P	Q
EVP00916	EVP00917	EVP00918	EVP00919	DXT-503-Q4-1C	44 ⁵ / ₈	5 ¹ / ₂	35 ³ / ₈	2	7 ⁹ / ₁₆	1 ⁷ / ₁₆	3 ³ / ₁₆	8 ³ / ₈	5 ¹ / ₈	1 ¹ / ₈	1 ³ / ₄	1 ³ / ₄	—	—	—	8 ¹ / ₂
EVP00920	EVP00921	EVP00922	EVP00923	DXT-504-Q4-1C	56 ⁵ / ₈	5 ¹ / ₂	47 ⁵ / ₈	2	7 ⁹ / ₁₆	1 ⁷ / ₁₆	3 ³ / ₁₆	8 ³ / ₈	5 ¹ / ₈	1 ¹ / ₈	1 ³ / ₄	1 ³ / ₄	—	—	—	8 ¹ / ₂
EVP00924	EVP00925	EVP00926	EVP00927	DXT-505-Q4-1C	68 ⁵ / ₈	5 ¹ / ₂	59 ⁵ / ₈	2	7 ⁹ / ₁₆	1 ⁷ / ₁₆	3 ³ / ₁₆	8 ³ / ₈	5 ¹ / ₈	1 ¹ / ₈	1 ³ / ₄	1 ³ / ₄	—	—	—	8 ¹ / ₂
EVP00928	EVP00929	EVP00930	EVP00931	DXT-605-Q4-1C	68	6 ⁵ / ₈	59 ⁵ / ₈	2 ¹ / ₂	6 ¹⁵ / ₁₆	1 ⁷ / ₁₆	3 ⁷ / ₁₆	9 ³ / ₁₆	7 ¹ / ₈	1 ³ / ₈	2 ¹ / ₈	2 ¹ / ₈	—	—	—	9 ³ / ₄
EVP00932	EVP00933	EVP00934	EVP00935	DXT-804-Q-4P-1C	56 ⁷ / ₈	8 ⁵ / ₈	47 ⁷ / ₈	3	7 ¹¹ / ₁₆	1 ⁹ / ₁₆	3 ⁷ / ₈	10 ³ / ₁₆	1 ¹ / ₈	1 ⁵ / ₈	3 ⁵ / ₃₂	3 ⁵ / ₃₂	—	—	—	11 ³ / ₄
EVP00936	EVP00937	EVP00938	EVP00939	DXT-804-Q4-2C	56 ⁷ / ₈	8 ⁵ / ₈	47 ⁷ / ₈	3	7 ¹¹ / ₁₆	1 ⁹ / ₁₆	3 ⁷ / ₈	10 ³ / ₁₆	1 ¹ / ₈	1 ³ / ₈	3	3	1 ⁷ / ₁₆	1 ⁷ / ₁₆	—	11 ³ / ₄
EVP00940	EVP00941	EVP00942	EVP00943	DXT-805-Q-4P-1C	68 ⁷ / ₈	8 ⁵ / ₈	59 ⁵ / ₈	3	7 ¹¹ / ₁₆	1 ⁹ / ₁₆	3 ⁷ / ₈	10 ³ / ₁₆	1 ¹ / ₈	1 ⁵ / ₈	3 ⁵ / ₃₂	3 ⁵ / ₃₂	—	—	—	11 ³ / ₄
EVP00944	EVP00945	EVP00946	EVP00947	DXT-805-Q4-2C	68 ⁷ / ₈	8 ⁵ / ₈	59 ⁵ / ₈	3	7 ¹¹ / ₁₆	1 ⁹ / ₁₆	3 ⁷ / ₈	10 ³ / ₁₆	1 ¹ / ₈	1 ³ / ₈	3	3	1 ⁷ / ₁₆	1 ⁷ / ₁₆	—	11 ³ / ₄
EVP00948	EVP00949	EVP00950	EVP00951	DXT-806-R-2P-1C	80 ¹ / ₄	8 ⁵ / ₈	71 ⁵ / ₈	3	7 ¹¹ / ₁₆	1 ⁹ / ₁₆	3 ⁷ / ₈	10 ³ / ₁₆	1 ³ / ₈	2 ⁵ / ₈	2 ¹ / ₄	1 ⁷ / ₈	—	—	—	11 ³ / ₄
EVP00952	EVP00953	EVP00954	EVP00955	DXT-806-R2-2C	80 ¹ / ₄	8 ⁵ / ₈	71 ⁵ / ₈	3	7 ¹¹ / ₁₆	1 ⁹ / ₁₆	3 ⁷ / ₈	10 ³ / ₁₆	1 ³ / ₈	2 ¹ / ₈	2	1 ⁵ / ₈	1 ³ / ₄	2 ¹ / ₈	—	11 ³ / ₄
EVP00956	EVP00957	EVP00958	EVP00959	DXT-807-R-2P-1C	92 ¹ / ₄	8 ⁵ / ₈	83 ³ / ₈	3	7 ¹¹ / ₁₆	1 ⁹ / ₁₆	3 ⁷ / ₈	10 ³ / ₁₆	1 ³ / ₈	2 ⁵ / ₈	2 ¹ / ₄	1 ⁷ / ₈	—	—	—	11 ³ / ₄
EVP00960	EVP00961	EVP00962	EVP00963	DXT-807-R2-2C	92 ¹ / ₄	8 ⁵ / ₈	83 ³ / ₈	3	7 ¹¹ / ₁₆	1 ⁹ / ₁₆	3 ⁷ / ₈	10 ³ / ₁₆	1 ³ / ₈	2 ¹ / ₈	2	1 ⁵ / ₈	1 ³ / ₄	2 ¹ / ₈	—	11 ³ / ₄
EVP00964	EVP00965	EVP00966	EVP00967	DXT-1007-S2-2C	93	10 ³ / ₄	83 ³ / ₈	4	7 ⁷ / ₁₆	1 ¹⁵ / ₁₆	4 ¹ / ₂	11 ⁵ / ₈	1 ³ / ₈	2 ⁵ / ₈	2 ³ / ₄	1 ³ / ₄	2	2 ¹¹ / ₁₆	—	14 ³ / ₈
EVP00968	EVP00969	EVP00970	EVP00971	DXT-1008-S2-2C	105	10 ³ / ₄	95 ⁵ / ₈	4	7 ⁷ / ₁₆	1 ¹⁵ / ₁₆	4 ¹ / ₂	11 ⁵ / ₈	1 ³ / ₈	2 ⁵ / ₈	2 ³ / ₄	1 ³ / ₄	2	2 ¹¹ / ₁₆	—	14 ³ / ₈
EVP00972	EVP00973	EVP00974	EVP00975	DXT-1009-S2-2C	117	10 ³ / ₄	107 ⁵ / ₈	5	7 ⁷ / ₁₆	1 ¹⁵ / ₁₆	5 ¹ / ₁₆	11 ⁵ / ₈	1 ³ / ₈	2 ⁵ / ₈	2 ³ / ₄	1 ³ / ₄	2	2 ¹¹ / ₁₆	—	14 ³ / ₈
EVP00976	EVP00977	EVP00978	EVP00979	DXT-1208-S2-2C	105 ³ / ₈	12 ³ / ₄	95 ⁵ / ₈	5	7 ³ / ₄	2 ³ / ₁₆	5 ³ / ₄	12 ⁵ / ₈	1 ⁵ / ₈	2 ⁵ / ₈	3 ¹ / ₄	1 ³ / ₄	2 ¹ / ₂	2 ³ / ₄	—	16 ³ / ₈
EVP00980	EVP00981	EVP00982	EVP00983	DXT-1410-S2-2C	130 ¹ / ₂	14	119 ⁵ / ₈	6	8 ¹ / ₄	2 ¹ / ₁₆	5 ³ / ₄	13 ¹ / ₄	1 ⁵ / ₈	3 ¹ / ₈	3 ³ / ₄	3	2 ⁵ / ₈	3 ¹ / ₈	—	17 ¹ / ₂
EVP00984	EVP00985	EVP00986	EVP00987	DXT-1610-S2-2C	131 ¹ / ₂	16	119 ⁵ / ₈	8	8 ¹ / ₈	3 ³ / ₁₆	7 ¹ / ₁₆	14 ¹ / ₄	2 ¹ / ₈	3 ¹ / ₈	4	3	3	3 ¹ / ₄	—	19 ¹ / ₂
EVP00988	EVP00989	EVP00990	EVP00991	DXT-1810-RS2-2C	131 ¹ / ₂	18	119 ⁵ / ₈	8	8 ¹ / ₁₆	3 ³ / ₁₆	7 ¹ / ₁₆	15 ¹ / ₄	2 ¹ / ₈	3 ³ / ₈	4 ³ / ₄	3 ¹ / ₂	3 ¹ / ₄	3 ¹ / ₄	—	21 ¹ / ₂
EVP00992	EVP00993	EVP00994	EVP00995	DXT-2010-RS2-2C	132 ¹ / ₂	20	119 ⁵ / ₈	8	9 ⁹ / ₁₆	3 ¹ / ₁₆	8 ³ / ₈	16 ¹ / ₄	2 ¹ / ₈	3 ³ / ₈	5	4 ¹ / ₄	3 ¹ / ₂	4 ³ / ₈	—	23 ¹ / ₂



Dimensional Data

DXC Shell and Tube Evaporators



CONSTRUCTION NOTES:

1. CONNECTIONS J & K ARE STEEL, WELDED TO HEAD AND BORED TO ODS OF COPPER TUBING.
2. FLUID CONNECTIONS ARE MPT THRU 3" PIPE SIZE, 4" AND LARGER TERMINATE IN 150 LB. ANSI RAISED FACE STEEL FLANGES.
3. BOTTOM CONNECTION ONLY ON 3" MPT AND SMALLER FLUID CONNECTION MODELS.
4. EXTERNAL EQUALIZER CONNECTION.
5. UNITS WITH 3/4" ARMAFLEX INSULATION, ADD 1 1/2" TO "D", 3/4" TO "A", AND 1 1/2" TO "H".
6. RIGHT HAND CONNECTION SHOWN-LEFT AND RIGHT HAND CONNECTIONS ARE DETERMINED BY VIEWING THE REFRIGERANT CONNECTION END.

Dimensional Data

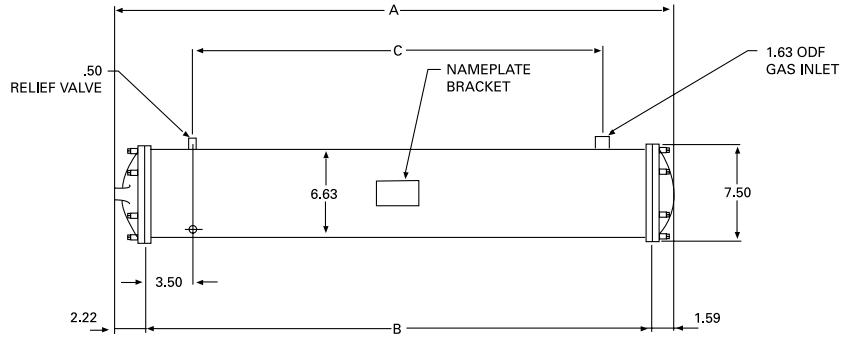
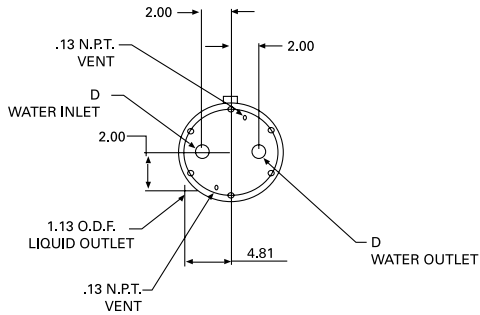
Dimensional Data – Inches

ServiceFirst Item #	ACME				A	D			J	K	L	P	R	Q				
RH	RH w/HT	LH	LH w/HT	Model #	(O.A.L.)	B	C	(Dia.)	E	G	H	(O.D.F.)	(O.D.F.)	(MPT)	M	(17)	(17)	
EVP01061	EVP01062	EVP01063	EVP01064	DXC-302-Q-4P-1C	29 ⁵ / ₈ (752)	24 (610)	20 (508)	3 ¹ / ₄ (83)	6 ¹ / ₂ (165)	2 (51)	- (22)	⁷ / ₈ (22)	⁷ / ₈ (22)	1 ¹ / ₂ (38)	5 (127)	1 ¹ / ₁₆ (17)	1 ¹ / ₁₆ (17)	1 ¹ / ₁₆ (17)
EVP01065	EVP01066	EVP01067	EVP01068	DXC-303-Q-4P-1C	41 ⁵ / ₈ (1057)	36 (914)	32 (813)	3 ¹ / ₄ (83)	6 ¹ / ₂ (165)	2 (51)	- (22)	⁷ / ₈ (22)	⁷ / ₈ (22)	1 ¹ / ₂ (38)	5 (127)	1 ¹ / ₁₆ (17)	1 ¹ / ₁₆ (17)	1 ¹ / ₁₆ (17)
EVP01069	EVP01070	EVP01071	EVP01072	DXC-304-Q-4P-1C	53 ⁵ / ₈ (1362)	48 (1219)	44 (1118)	3 ¹ / ₄ (83)	6 ¹ / ₂ (165)	2 (51)	- (22)	⁷ / ₈ (22)	⁷ / ₈ (22)	1 ¹ / ₂ (38)	5 (127)	1 ¹ / ₁₆ (17)	1 ¹ / ₁₆ (17)	1 ¹ / ₁₆ (17)
EVP01073	EVP01074	EVP01075	EVP01076	DXC-404-Q-4P-1C	54 ¹ / ₈ (1375)	48 (1219)	42 ¹ / ₄ (1073)	4 ¹ / ₄ (108)	7 (178)	2 ¹ / ₈ (73)	- (29)	1 ¹ / ₈ (29)	1 ¹ / ₈ (29)	2 (51)	6 (152)	1 ³ / ₁₆ (21)	1 ¹ / ₁₆ (27)	1 ¹ / ₁₆ (27)
EVP01077	EVP01078	EVP01079	EVP01080	DXC-603-R-4P-1C	41 ³ / ₄ (1060)	36 (914)	29 ¹ / ₈ (740)	6 ¹ / ₄ (159)	9 ¹ / ₄ (248)	3 ¹ / ₁₆ (87)	8 ³ / ₄ (222)	1 ³ / ₈ (35)	2 ¹ / ₈ (54)	3 (76)	7 ³ / ₄ (197)	1 ¹ / ₄ (32)	1 ¹ / ₂ (38)	1 ¹ / ₂ (38)
EVP01081	EVP01082	EVP01083	EVP01084	DXC-405-R-4P-1C	66 ¹ / ₈ (1680)	60 (1524)	54 ¹ / ₄ (1378)	4 ¹ / ₄ (108)	7 (178)	2 ¹ / ₈ (73)	- (29)	1 ¹ / ₈ (29)	1 ¹ / ₈ (29)	2 (51)	6 (152)	1 ³ / ₁₆ (21)	1 ¹ / ₁₆ (27)	1 ¹ / ₁₆ (27)
EVP01085	EVP01086	EVP01087	EVP01088	DXC-604-R-4P-1C	53 ³ / ₈ (1365)	48 (1219)	41 ¹ / ₈ (1045)	6 ¹ / ₄ (159)	9 ¹ / ₄ (248)	3 ¹ / ₁₆ (87)	8 ³ / ₄ (222)	1 ³ / ₈ (35)	2 ¹ / ₈ (54)	3 (76)	7 ³ / ₄ (197)	1 ¹ / ₄ (32)	1 ¹ / ₂ (38)	1 ¹ / ₂ (38)
EVP01089	EVP01090	EVP01091	EVP01092	DXC-605-R-2P-2C	65 ³ / ₄ (1670)	60 (1524)	53 ¹ / ₈ (1349)	6 ¹ / ₄ (159)	9 ¹ / ₄ (248)	3 ¹ / ₁₆ (87)	8 ³ / ₄ (222)	1 ¹ / ₈ (29)	1 ⁵ / ₈ (41)	3 (76)	7 ³ / ₄ (197)	1 ¹ / ₄ (32)	1 ¹ / ₂ (38)	1 ¹ / ₂ (38)
EVP01093	EVP01094	EVP01095	EVP01096	DXC-605-RS-4P-1C	65 ³ / ₄ (1670)	60 (1524)	53 ¹ / ₈ (1349)	6 ¹ / ₄ (159)	9 ¹ / ₄ (248)	3 ¹ / ₁₆ (87)	8 ³ / ₄ (222)	1 ³ / ₈ (35)	2 ¹ / ₈ (54)	3 (76)	7 ³ / ₄ (197)	1 ¹ / ₄ (32)	1 ¹ / ₂ (38)	1 ¹ / ₂ (38)
EVP01097	EVP01098	EVP01099	EVP01100	DXC-605-Q-2P-2C	65 ³ / ₄ (1670)	60 (1524)	53 ¹ / ₈ (1349)	6 ¹ / ₄ (159)	9 ¹ / ₄ (248)	3 ¹ / ₁₆ (87)	8 ³ / ₄ (222)	1 ¹ / ₈ (29)	1 ⁵ / ₈ (41)	3 (76)	7 ³ / ₄ (197)	1 ¹ / ₄ (32)	1 ¹ / ₂ (38)	1 ¹ / ₂ (38)
EVP01101	EVP01102	EVP01103	EVP01104	DXC-606-RS-4P-1C	77 ³ / ₄ (1975)	72 (1829)	65 ¹ / ₈ (1654)	6 ¹ / ₄ (159)	9 ¹ / ₄ (248)	3 ¹ / ₁₆ (87)	8 ³ / ₄ (222)	1 ³ / ₈ (35)	2 ¹ / ₈ (54)	3 (76)	7 ³ / ₄ (197)	1 ¹ / ₄ (32)	1 ¹ / ₂ (38)	1 ¹ / ₂ (38)
EVP01105	EVP01106	EVP01141	EVP01142	DXC-606-R-2P-2C	77 ³ / ₄ (1975)	72 (1829)	65 ¹ / ₈ (1654)	6 ¹ / ₄ (159)	9 ¹ / ₄ (248)	3 ¹ / ₁₆ (87)	8 ³ / ₄ (222)	1 ¹ / ₈ (29)	1 ⁵ / ₈ (41)	3 (76)	7 ³ / ₄ (197)	1 ¹ / ₄ (32)	1 ¹ / ₂ (38)	1 ¹ / ₂ (38)
EVP01143	EVP01144	EVP01107	EVP01108	DXC-803-RS-4P-1C	42 ¹ / ₈ (1089)	36 (914)	29 (737)	8 ⁵ / ₈ (219)	11 ¹ / ₂ (292)	3 ¹ / ₂ (89)	10 ¹ / ₂ (267)	1 ³ / ₈ (35)	2 ⁵ / ₈ (67)	4 (102)	10 ¹ / ₁₆ (256)	1 ⁵ / ₈ (41)	2 (51)	2 (51)
EVP01109	EVP01110	EVP01111	EVP01112	DXC-804-RS-2P-2C	54 ⁷ / ₈ (1394)	48 (1219)	41 (1041)	8 ⁵ / ₈ (219)	11 ¹ / ₂ (292)	3 ¹ / ₂ (89)	10 ¹ / ₂ (267)	1 ³ / ₈ (35)	2 ⁵ / ₈ (67)	4 (102)	10 ¹ / ₁₆ (256)	1 ⁵ / ₈ (41)	2 (51)	2 (51)
EVP01113	EVP01114	EVP01115	EVP01116	DXC-606-R-4P-1C	77 ³ / ₄ (1975)	72 (1829)	65 ¹ / ₈ (1654)	6 ¹ / ₄ (159)	9 ¹ / ₄ (248)	3 ¹ / ₁₆ (87)	8 ³ / ₄ (222)	1 ³ / ₈ (35)	2 ¹ / ₈ (54)	3 (76)	7 ³ / ₄ (197)	1 ¹ / ₄ (32)	1 ¹ / ₂ (38)	1 ¹ / ₂ (38)
EVP01117	EVP01118	EVP01119	EVP00120	DXC-804-S-4P-2C	54 ⁷ / ₈ (1394)	48 (1219)	41 (1041)	8 ⁵ / ₈ (219)	11 ¹ / ₂ (292)	3 ¹ / ₂ (89)	10 ¹ / ₂ (267)	1 ³ / ₈ (35)	2 ⁵ / ₈ (67)	4 (102)	10 ¹ / ₁₆ (256)	1 ⁵ / ₈ (41)	2 (51)	2 (51)
EVP01121	EVP01122	EVP01123	EVP01124	DXC-805-S-2P-2C	66 ¹ / ₈ (1699)	60 (1524)	53 (1346)	8 ⁵ / ₈ (219)	11 ¹ / ₂ (292)	3 ¹ / ₂ (89)	10 ¹ / ₂ (267)	1 ³ / ₈ (35)	2 ¹ / ₈ (54)	4 (102)	10 ¹ / ₁₆ (256)	1 ⁵ / ₈ (41)	2 (51)	2 (51)
EVP01125	EVP01126	EVP01127	EVP01128	DXC-804-RS-4P-1C	54 ⁷ / ₈ (1394)	48 (1219)	41 (1041)	8 ⁵ / ₈ (219)	11 ¹ / ₂ (292)	3 ¹ / ₂ (89)	10 ¹ / ₂ (267)	1 ³ / ₈ (35)	2 ⁵ / ₈ (67)	4 (102)	10 ¹ / ₁₆ (256)	1 ⁵ / ₈ (41)	2 (51)	2 (51)
EVP01129	EVP01130	EVP01131	EVP01132	DXC-805-RS-2P-2C	66 ¹ / ₈ (1699)	60 (1524)	53 (1346)	8 ⁵ / ₈ (219)	11 ¹ / ₂ (292)	3 ¹ / ₂ (89)	10 ¹ / ₂ (267)	1 ³ / ₈ (35)	2 ¹ / ₈ (54)	4 (102)	10 ¹ / ₁₆ (256)	1 ⁵ / ₈ (41)	2 (51)	2 (51)
EVP01133	EVP01130	EVP01135	EVP01136	DXC-806-S-2P-1C	78 ¹ / ₈ (2003)	72 (1829)	65 (1651)	8 ⁵ / ₈ (219)	11 ¹ / ₂ (292)	3 ¹ / ₂ (89)	10 ¹ / ₂ (267)	1 ³ / ₈ (35)	2 ⁵ / ₈ (67)	4 (102)	10 ¹ / ₁₆ (256)	0 (51)	2 (51)	2 (51)
EVP01137	EVP01138	EVP01139	EVP01140	DXC-806-S-2P-2C	78 ¹ / ₈ (2003)	72 (1829)	65 (1651)	8 ⁵ / ₈ (219)	11 ¹ / ₂ (292)	3 ¹ / ₂ (89)	10 ¹ / ₂ (267)	1 ³ / ₈ (35)	2 ¹ / ₈ (54)	4 (102)	10 ¹ / ₁₆ (256)	1 ⁵ / ₈ (41)	2 (51)	2 (51)

RH = Right Hand, LH = Left Hand, HT = Heat Tape

Dimensional Data

CRX Fresh Water Condensers

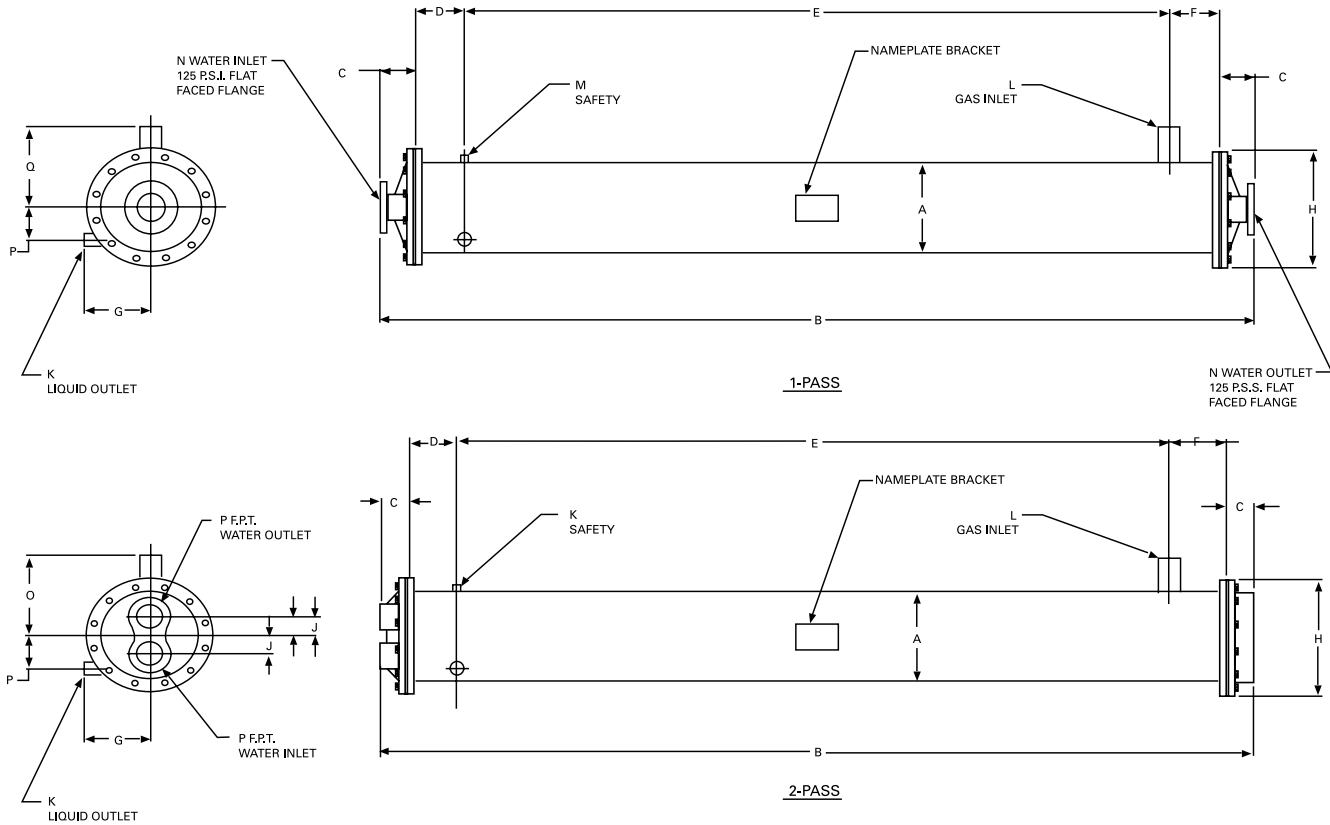


Dimensional Data – Inches

ServiceFirst Item Number	ACME Model Number	A (O.A.L.)	B	C	D (F.P.T.)
CDS00924	CRX-602A-6	27 9/16	23 3/4	16 3/8	1
CDS00925	CRX-602B-6	27 9/16	23 3/4	16 3/8	1
CDS00926	CRX-603B-4	39 9/16	35 3/4	28 3/8	1 1/4
CDS00927	CRX-604C-4	51 9/16	47 3/4	40 3/8	1 1/4
CDS00928	CRX-604D-4	51 9/16	47 3/4	40 3/8	1 1/4

Dimensional Data

AHX Fresh Water Condensers



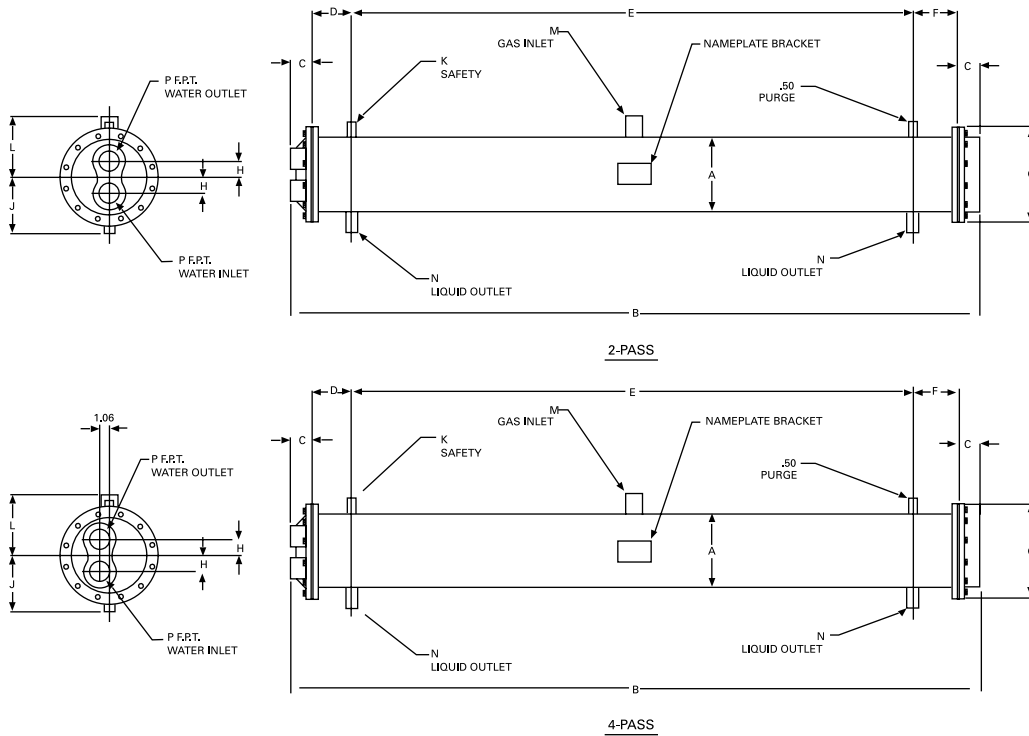
Dimensional Data – Inches

ServiceFirst Item Number	ACME Model Number	A	B (O.A.L)	C	D	E	F	G	H	J	K (O.D.F)	L (O.D.F)	M (F.P.T.)	N	P	Q
CDS00929	AHX-605C-2	6 ⁵ / ₈	63 ¹³ / ₁₆	2 ¹ / ₃₂	3 ¹ / ₂	52 ³ / ₈	3 ⁷ / ₈	4 ¹³ / ₁₆	7 ¹ / ₂	1 ¹ / ₂	1 ¹ / ₈	1 ⁵ / ₈	1 ¹ / ₂	2	2 ⁵ / ₈	6 ⁵ / ₁₆
CDS00930	AHX-605D-2	6 ⁷ / ₈	63 ¹³ / ₁₆	2 ¹ / ₃₂	3 ¹ / ₂	52 ³ / ₈	3 ⁷ / ₈	4 ¹³ / ₁₆	7 ¹ / ₂	1 ¹ / ₂	1 ³ / ₈	2 ¹ / ₈	1 ¹ / ₂	2	2 ⁵ / ₈	6 ⁵ / ₁₆
CDS00931	AHX-805A-2	8 ⁵ / ₈	66	3 ¹ / ₈	3 ¹ / ₂	52 ³ / ₈	3 ⁷ / ₈	5 ¹³ / ₁₆	9 ¹¹ / ₁₆	1 ⁷ / ₈	1 ³ / ₈	2 ¹ / ₈	1 ¹ / ₂	2 ¹ / ₂	3 ¹³ / ₃₂	7 ⁵ / ₁₆
CDS00932	AHX-806A-2	8 ⁵ / ₈	78	3 ¹ / ₈	3 ¹ / ₂	64 ³ / ₈	3 ⁷ / ₈	5 ¹³ / ₁₆	9 ¹¹ / ₁₆	1 ⁷ / ₈	1 ³ / ₈	2 ¹ / ₈	1 ¹ / ₂	2 ¹ / ₂	3 ¹³ / ₃₂	7 ⁵ / ₁₆
CDS00933	AHX-1005A-2	10 ³ / ₄	69 ¹ / ₈	4 ¹ / ₁₆	3 ³ / ₄	52	4	6 ⁷ / ₈	13 ³ / ₄	2 ¹ / ₄	1 ⁵ / ₈	2 ⁵ / ₈	1 ¹ / ₂	3	4 ¹ / ₄	8 ³ / ₈
CDS00934	AHX-1006A-2	10 ³ / ₄	81 ¹ / ₈	4 ¹ / ₁₆	3 ³ / ₄	64	4	6 ⁷ / ₈	13 ³ / ₄	2 ¹ / ₄	1 ⁵ / ₈	2 ⁵ / ₈	1 ¹ / ₂	3	4 ¹ / ₄	8 ³ / ₈
CDS00935	AHX-1205A-2	12 ³ / ₄	69	4 ⁵ / ₈	4 ³ / ₁₆	50 ¹⁵ / ₁₆	4 ⁵ / ₈	7 ⁷ / ₈	15 ³ / ₄	2 ⁵ / ₈	1 ⁵ / ₈	2 ⁵ / ₈	3 ¹ / ₄	4	5 ¹ / ₄	9 ³ / ₈
CDS00936	AHX-1206A-2	12 ³ / ₄	81	4 ⁵ / ₈	4 ³ / ₈	62 ⁷ / ₁₆	4 ¹⁵ / ₁₆	7 ⁷ / ₈	15 ³ / ₄	2 ⁵ / ₈	2 ¹ / ₈	3 ¹ / ₈	3 ¹ / ₄	4	5 ¹ / ₁₆	9 ³ / ₈
CDS00937	AHX-1208A-1	12 ³ / ₄	108	6 ¹ / ₈	4 ³ / ₈	86 ⁷ / ₁₆	4 ¹⁵ / ₁₆	7 ⁷ / ₈	15 ³ / ₄	---	2 ¹ / ₈	3 ¹ / ₈	3 ¹ / ₄	6	5 ¹ / ₁₆	9 ³ / ₈
CDS00938	AHX-1208B-1	12 ³ / ₄	108	6 ¹ / ₈	4 ³ / ₈	86 ⁷ / ₁₆	4 ¹⁵ / ₁₆	7 ⁷ / ₈	15 ³ / ₄	---	2 ¹ / ₈	3 ¹ / ₈	3 ¹ / ₄	6	5 ¹ / ₁₆	9 ³ / ₈
CDS00939	AHX-1210B-1	12 ³ / ₄	132	6 ¹ / ₈	4 ³ / ₈	110 ³ / ₁₆	5 ³ / ₁₆	7 ⁷ / ₈	15 ³ / ₄	---	2 ¹ / ₈	3 ³ / ₈	3 ¹ / ₄	6	5 ¹ / ₁₆	9 ³ / ₈



Dimensional Data

MHX Marine Duty Condensers



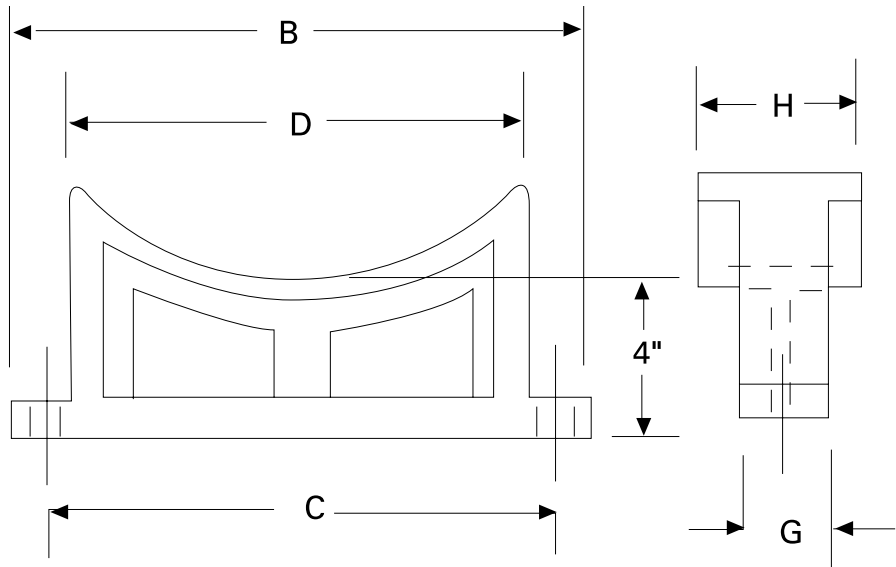
Dimensional Data – Inches

ServiceFirst Item Number	ACME Model Number	A	B	C	D	E	F	G	H	J	K (F.T.P.)	L	M (O.D.F.)	N (O.D.F.)	P
CDS00940	MHX-602B-4	6 5/8	27 13/16	2 1/32	5 7/8	12	5 7/8	7 1/2	1 7/16	6 5/16	1/2	6 5/16	1 3/8	5/8	1 1/2
CDS00941	MHX-602D-4	6 5/8	27 13/16	2 1/32	5 7/8	12	5 7/8	7 1/2	1 7/16	6 5/16	1/2	6 5/16	1 3/8	5/8	1 1/2
CDS00942	MHX-603D-4	6 5/8	39 13/16	2 1/32	5 7/8	24	5 7/8	7 1/2	1 7/16	6 5/16	1/2	6 5/16	1 3/8	7/8	1 1/2
CDS00943	MHX-604D-4	6 5/8	51 13/16	2 1/32	5 7/8	36	5 7/8	7 1/2	1 7/16	6 5/16	1/2	6 5/16	1 3/8	7/8	1 1/2
CDS00944	MHX-605D-2	6 5/8	63 13/16	2 1/32	5 7/8	48	5 7/8	7 1/2	1 1/2	6 5/16	1/2	6 5/16	1 5/8	1 1/8	2
CDS00945	MHX-606D-2	6 5/8	75 13/16	2 1/32	5 7/8	60	5 7/8	7 1/2	1 1/2	6 5/16	1/2	6 5/16	1 5/8	1 5/8	2
CDS00946	MHX-805A-2	8 5/8	66	3 1/8	7 7/8	44	7 7/8	9 11/16	1 7/8	7 5/16	1/2	7 5/16	2 1/8	1 1/8	2 1/2
CDS00947	MHX-806A-2	8 5/8	78	3 1/8	7 7/8	56	7 7/8	9 11/16	1 7/8	7 5/16	1/2	7 5/16	2 1/8	1 3/8	2 1/2
CDS00948	MHX-1005A-2	10 3/4	69	4 11/16	7 7/8	44	7 7/8	13 3/4	2 1/4	8 3/8	3/4	8 3/8	2 1/8	1 5/8	3
CDS00949	MHX-1006A-2	10 3/4	81	4 11/16	7 7/8	56	7 7/8	13 3/4	2 1/4	8 3/8	3/4	8 3/8	2 5/8	1 5/8	3
CDS00951	MHX-1008A-2	10 3/4	105 1/8	4 11/16	7 7/8	80	7 7/8	13 3/4	2 1/4	8 3/8	3/4	8 3/8	2 5/8	1 5/8	3
CDS00950	MHX-1205A-2	12 3/4	69	4 5/8	7 7/8	44	7 7/8	15 3/4	2 5/8	9 3/8	1	9 3/8	2 5/8	1 5/8	3
CDS00952	MHX-1208A-2	12 3/4	105	4 5/8	7 7/8	80	7 7/8	15 3/4	2 5/8	9 3/8	1	9 3/8	3 1/8	2 1/8	3

*All refrigerant gas inlet and liquid outlet connections are ODF sweat.
 **Purge on a safety connections are FPT.
 Note: All vessels will have a 3/8" drain plug in either the front or rear head.



Dimensional Data



Cast Iron Saddle Brackets
For Use with Condensers or Evaporators.

Service First Item Number	ACME Part No.	For Shell Dia. of	B	C	D	G	H	Approx.	Ketema Part No.
BRK2200	C-2500-1	6 ⁵ / ₈	6 ⁵ / ₈	4 ⁷ / ₈	3 ¹ / ₈	1 ¹ / ₂	1 ¹ / ₂	12 lb.	4191Y001
BRK2201	C-2500-2	8 ⁵ / ₈	8 ⁵ / ₈	6 ⁷ / ₈	5 ¹ / ₈	1 ¹ / ₂	1 ¹ / ₂	14 lb.	4191Y002
BRK2202	C-2500-3	10 ³ / ₄	10 ³ / ₄	9	7 ¹ / ₄	2	2	20 lb.	4191Y003
BRK2203	C-2500-4	12 ³ / ₄	12 ³ / ₄	11	9 ¹ / ₄	2	2	26 lb.	4191Y004
BRK2204	C-2500-5	14	14	12 ¹ / ₄	10 ¹ / ₂	2	2	30 lb.	4191Y005
BRK2205	C-2500-7	16	16 ³ / ₄	15	13 ¹ / ₄	2	2	38 lb.	4191Y007
BRK2206	C-2500-9	18 ³ / ₄	18 ³ / ₄	17	15 ¹ / ₄	2	2	40 lb.	4191Y009
BRK2207	C-2500-10	20	20	18 ¹ / ₄	16 ¹ / ₂	3	3	44 lb.	4191Y010

All dimensions in inches.

Weights

Table W-1 – DXT Evaporator Weights

ServiceFirst Item Number				ACME Model Number	Approx. Ship Weight lbs
EVP00916	EVP00917	EVP00918	EVP00919	DXT-503-Q-4P-1C	155
EVP00920	EVP00921	EVP00922	EVP00923	DXT-504-Q-4P-1C	175
EVP00924	EVP00925	EVP00926	EVP00927	DXT-505-Q-4P-1C	200
EVP00928	EVP00929	EVP00930	EVP00931	DXT-605-Q-4P-1C	265
EVP00932	EVP00933	EVP00934	EVP00935	DXT-804-Q-4P-1C	325
EVP00936	EVP00937	EVP00938	EVP00939	DXT-804-Q-4P-2C	330
EVP00940	EVP00941	EVP00942	EVP00943	DXT-805-Q-4P-1C	373
EVP00944	EVP00945	EVP00946	EVP00947	DXT-805-Q-4P-2C	380
EVP00948	EVP00949	EVP00950	EVP00951	DXT-806-R-2P-1C	405
EVP00952	EVP00953	EVP00954	EVP00955	DXT-806-R-2P-2C	415
EVP00956	EVP00957	EVP00958	EVP00959	DXT-807-R-2P-1C	478
EVP00960	EVP00961	EVP00962	EVP00963	DXT-807-R-2P-2C	490
EVP00964	EVP00965	EVP00966	EVP00967	DXT1007-S-2P-2C	725
EVP00968	EVP00969	EVP00970	EVP00971	DXT-1008-S-2P-2C	780
EVP00972	EVP00973	EVP00974	EVP00975	DXT-1009-S-2P-2C	845
EVP00976	EVP00977	EVP00978	EVP00979	DXT-1208-S-2P-2C	1055
EVP00980	EVP00981	EVP00982	EVP00983	DXT-1410-S-2P-2C	1510
EVP00984	EVP00985	EVP00986	EVP00987	DXT-1610-S-2P-2C	1805
EVP00988	EVP00989	EVP00990	EVP00991	DXT-1810-RS-2P-2C	2310
EVP00992	EVP00993	EVP00994	EVP00995	DXT-2010-RS-2P-2C	2850

Table W-2 – DXC Evaporator Weights

ServiceFirst Item Number				ACME Model Number	Approx. Ship Weight lbs
EVP01061	EVP01062	EVP01063	EVP01064	DXC 302-Q-4P-1C	13
EVP01065	EVP01066	EVP01067	EVP01068	DXC 303-Q-4P-1C	17
EVP01069	EVP01070	EVP01071	EVP01072	DXC 304-Q-4P-1C	21
EVP01073	EVP01074	EVP01075	EVP01076	DXC 404-Q-4P-1C	60
EVP01077	EVP01078	EVP01079	EVP01080	DXC 603-R-4P-1C	97
EVP01081	EVP01082	EVP01083	EVP01084	DXC 405-R-4P-1C	69
EVP01085	EVP01086	EVP01087	EVP01088	DXC 604-R-4P-1C	117
EVP01089	EVP01090	EVP01091	EVP01092	DXC 605-R-2P-2C	137
EVP01093	EVP01094	EVP01095	EVP01096	DXC 605-RS-4P-1C	137
EVP01097	EVP01098	EVP01099	EVP01100	DXC 605-Q-2P-2C	137
EVP01101	EVP01102	EVP01103	EVP01104	DXC 606-RS-4P-1C	157
EVP01105	EVP01106	EVP01141	EVP01142	DXC 606-R-2P-2C	157
EVP01143	EVP01144	EVP01107	EVP01108	DXC 803-RS-4P-1C	177
EVP01109	EVP01110	EVP01111	EVP01112	DXC 804-RS-2P-2C	212
EVP01113	EVP01114	EVP01115	EVP01116	DXC 606-R-4P-1C	157
EVP01117	EVP01118	EVP01119	EVP01120	DXC 804-S-4P-1C	212
EVP01121	EVP01122	EVP01123	EVP01124	DXC 805-S-2P-2C	247
EVP01125	EVP01126	EVP01127	EVP01128	DXC 804-RS-4P-1C	212
EVP01129	EVP01130	EVP01131	EVP01132	DXC 805-RS-2P-2C	247
EVP01133	EVP01134	EVP01135	EVP01136	DXC 806-S-2P-1C	282
EVP01137	EVP01138	EVP01139	EVP01140	DXC 806-S-2P-2C	282

Weights

Table W-3 – CRX Condenser Weights

ServiceFirst Item Number	ACME Model Number	Approx. Ship Wt. Lbs.
CDS00924	CRX-602A-6	100
CDS00925	CRX-602B-6	105
CDS00926	CRX-603B-4	130
CDS00927	CRX-604C-4	160
CDS00928	CRX-604D-4	170

Table W-4 – AHX Condenser Weights

ServiceFirst Item Number	ACME Model Number	Approx. Shipping Weight (lbs.)
CDS00929	AHX-605-C-2	170
CDS00930	AHX-605-D-2	195
CDS00931	AHX-805-A-2	300
CDS00932	AHX-806-A-2	340
CDS00933	AHX-1005-A-2	460
CDS00934	AHX-1006-A-2	475
CDS00935	AHX-1205-A-2	590
CDS00936	AHX-1206-A-2	665
CDS00937	AHX-1208-A-1	855
CDS00938	AHX-1208-B-1	890
CDS00939	AHX-1210-B-1	1060

Table W-5 – MHX Marine Duty Condenser Weights

ServiceFirst Item Number	ACME Model Number	Approx. Shipping Weight (lbs.)
CDS00940	MHX-602-B-4	100
CDS00941	MHX-602-D-4	107
CDS00942	MHX-603-D-4	142
CDS00943	MHX-604-D-4	175
CDS00944	MHX-605-D-2	210
CDS00945	MHX-606-D-2	244
CDS00946	MHX-805-A-2	310
CDS00947	MHX-806-A-2	357
CDS00948	MHX-1005-A-2	480
CDS00949	MHX-1006-A-2	550
CDS00951	MHX-1008-A-2	695
CDS00950	MHX-1205-A-2	670
CDS00952	MHX-1208-A-2	960

Table W-6 – Cast Iron Saddle Brackets Weights

ServiceFirst Item Number	ACME Part Number	Ketema Part Number	Approx. Shipping Wt. (lbs.)
BRK2200	C-2500-1	4191Y001	12
BRK2201	C-2500-2	4191Y002	14
BRK2202	C-2500-3	4191Y003	20
BRK2203	C-2500-4	4191Y004	20
BRK2204	C-2500-5	4191Y005	26
BRK2205	C-2500-7	4191Y007	30
BRK2206	C-2500-9	4191Y009	40
BRK2207	C2500-10	4191Y010	44

Construction Specifications

Shell and Tube Evaporators

The DXT evaporator is a direct expansion liquid cooler. The heat exchangers are designed with removable heads and "rolled-in" tubes for use with refrigerants R-22, R-134a and R-404a. The tube side of the heat exchangers are designed and tested according to ASME code.

Shells

Steel pipe shells. Shells are shot blasted and cleaned before assembly.

Tubes

Tubes shall be $\frac{3}{4}$ " on DXT, $\frac{3}{8}$ " on DXC, internally/externally enhanced copper tubes fabricated to ASME specification SB 359-122. Tubes shall be roller expanded into multiple grooved tube sheet holes.

Tube Sheets

Tube sheets shall be flanged, carbon steel, fabricated to ASME specifications SA 516-GR 70.

Baffles

Hot rolled steel, galvanized plated for reduced corrosion.

Heads

Fabricated ring and cover type steel heads, to ASME specifications SA516-GR 70.

Gaskets

Die-cut medium density elastomer compatible with the above refrigerants and typical oils used with these refrigerants. Gasketed joints to be adequate for pressure application and shall not leak (using an underwater leak test procedure) at established test pressure of $\frac{1}{4}$ times design working pressure.

Codes and Design Pressures

The refrigerant side is constructed in accordance with the latest edition of Section VIII, Division I of ASME Code for pressure vessels and stamped accordingly. Tube Side (refrigerant side) design pressure is 250 psig at 100°F. Shell side (fluid side) design pressure is 150 psig at 120°F.

Test Pressure

Both shell and tube sides of all DXT coolers are pneumatically tested at $\frac{1}{4}$ times the design working pressure to comply with ASME Code and to assure reliable service.

Finish

Exterior surfaces are painted with gray enamel paint. The surface shall be adequate to prevent rusting, can be used as a base for insulation adhesive or can be used as a primer.

Insulation

$\frac{3}{4}$ " thick insulation.

Heat Tape

The heat tape, when ordered, will protect the unit down to -20°F when the unit and heat tape is covered with a single layer of $\frac{3}{4}$ " insulation material. The heat tape will operate on a 120 VAC supply.

Construction Specifications

Shell and Tube Condensers

Shell

Steel pipe shell fabricated to ASME specification SA-53 grade B.

Tubes

Copper tubes fabricated to ASME specification SB-359-122. Tubes are roller expanded into multiple grooved tube sheets.

Tube Sheets

Flange quality carbon steel fabricated to ASME specification SA-516 GR70.

Heads

Cast iron heads with integral pass partitions fabricated to ASME specification SA-278B CL30, except for single pass units, and 14" 2 pass units which have fabricated steel heads per ASME specification SA516 GR 70.

Gaskets

Die-cut gaskets between tubesheets and heads. Material to be compatible with water and typical additives.

Codes

The refrigerant side is constructed and tested in accordance with Section VIII, Div. 1 of ASME code for unfired pressure vessels and stamped "U" or "UM" as required.

Design Pressures

Shell side design pressure (refrigerant side) is 350 psi minimum at 250°F. Tube side (waterside) design pressure is 150 psi minimum at 150°F. Fluid connections are rated for at least 150 psi with the exception of the single pass units with a 6" flat faced flange. The 6" flange is rated to 125 psi only. Every unit is tested at 1.25 times the design pressure per ASME code prior to shipment

Finish

All exterior surfaces shall be cleaned and painted with gray enamel paint suitable as a primer.

Shell and Tube Marine Condenser

Shell

Steel pipe shell fabricated to ASME specification SA-53 Grade B. Shells are shot blasted and cleaned before construction.

Tubes

High performance enhanced surface 90/10 Cupro-Nickel tubes fabricated to ASME specification SB-359. Tubes are roller expanded into multiple grooved tube sheets to assure tight joints.

Tube Sheets

90/10 Cupro-Nickel fabricated to ASME specification SB-171 Alloy 706.

Heads

Cast bronze with integral pass partitions fabricated to ASME Specification SB-62. 14" and 16" heads shall be epoxy coated steel.

Gaskets

Die-cut gaskets provide effective sealing between tube sheets and machined heads. Material to be compatible with water and typical additives.

Codes

The refrigerant side is constructed and tested in accordance with Section VIII, Div. 1 of ASME Code for unfired pressure vessels and stamped "U" or "UM" as required.

Design Pressures

Shell side design pressure (refrigerant side) is dual rated at 305 psig at 250°F and 450 psig at 150°F. Tube side (waterside) is rated at 150 psig at 150°F. Every unit is tested at 1.25 times design pressure per ASME code prior to shipment.

Finish

All exterior surfaces shall be cleaned and painted with gray enamel paint suitable as a primer.



Please photocopy this form as needed.
Do not remove the original form from this catalog.



Fax to: 972-641-1518 Industrial Refrigeration Quote Request Form

To: Don Holderbaugh Customer: _____
 From: _____ Contact: _____
 Date: _____ Phone/Fax: _____
 Subject: _____ Address: _____

Evaporator – Chiller Barrel

Heat Load: _____ Application: _____
 Fluid to be cooled: _____ Solution %: _____
 Fluid entering temperature: _____ Flow rate: _____
 Fluid leaving temperature: _____
 Refrigerant: _____ Evap. temp: _____
 Fluid fouling factor: _____
 Dimensional limitations: _____ Circuits required: _____
 Design working pressure: Shell side: _____ Tube side: _____
 Maximum pressure drop: _____ Design operating temperature: _____
 Other conditions: _____
 Optional features Insulation _____ Mounting Brackets _____ Heat Tape _____
 Orientation of shell side connections (top, left, right when viewing from front) _____
 Original manufacturer and model number: _____

Condenser

Load – Total Heat of Rejection: _____
 Refrigerant: _____ Condensing temp: _____
 Entering water temperature: _____ Leaving water temperature: _____
 GPM of cooling water: _____ Fouling factor: _____
 Max. water pressure drop: _____ Fresh or Sea Water: _____
 Design working pressure: Shell side: _____ Tube side: _____
 Design operating temperature: _____
 Dimensional limitations: _____
 Other conditions: _____
 Orientation of connections: _____
 Original manufacturer and model number: _____

Note: When making a quote, always confirm basis of offering (tons, performance details, dimensions, etc.).



Literature Order Number	RSP-PRC019-EN
Filing Hierarchy	Service Products/Refrigeration Components
Date	October 2002
Supersedes	STX-DS-1-0299
Stocking Location	La Crosse

American Standard has a policy of continuous product and product data improvement and reserves the right to change design and specifications without notice.