

MEETS 2006
DOE REQUIREMENTS (1)



UC Series Wall / Closet Fan Coils 1.5 - 3.0 Tons Cooling Up to 10 kW Electric Heat



Unit shown with louvered wall panel
(Recessed wall application)



Unit shown without wall panel
(Closet application - Front Return Air)



Unit shown with bottom return air cover
(Closet application - Bottom Return Air)

The **UC** Series fan coil is designed as an upflow indoor air handler for use with split-system heat pumps or condensing units.

(1) First Co's customer is ultimately responsible for confirming which fan coil models are compatible with selected outdoor unit(s) and which expansion valves (if any) are required. To determine approved indoor/outdoor matches, go to: www.firstco.com or contact the factory.

The **UC** can be installed on a closet platform, hung on a closet wall, or recessed in a wall between the studs. All models are 22" wide to allow standard stud spacing for all sizes.

The cabinet is made of galvanized steel and is fully insulated. The non-corrosive thermoplastic condensate pan is sloped to ensure proper drainage. For installation flexibility, drain piping can come from the bottom, front, left, or right side of the cabinet.

New Feature: - The removable door of the optional wall panel now includes "*captive screws*" that won't fall out when the door is removed for service or filter change.

Standard Features:

- 240V motor, 24V controls
- **Service Pullout**
- **Factory or field installed electric heat**
- Non-Corrosive thermoplastic drain pan, *sloped* for positive drainage
- Separate compartment for drain connections- allows the use of PVC drain piping
- Drain pan has 3/4" male or female primary and secondary fittings
- Higher efficiency cooling coil
- Convenient equalizer connection for factory or field installed R22 and R410A TXV's
- Easily accessible 1" filter

Optional Accessories:

 (see Page 4)

Optional accessories include Field Installed Heater Kits, Factory or Field installed TXV Kits, Wall Panels with Captive Screws, Condensate Overflow Switch, Closet Hanger Bracket Kit, and Bottom Return Air Kit

UC Series

Wall / Closet Fan Coils

(See P. 3 for Model Numbers)

PERFORMANCE DATA													
UNIT MODEL	NOM. CFM	NOM. COOL BTUH	ELECTRIC HEAT CAPACITY				TOTAL AMPS		MIN. AMPACITY		MAX. OVERCURRENT PROTECTION		
			kW		BTUH		240V	208V	240V	208V			
			240V	208V	240V	208V					18-25UC	18-25UC	
			240V	208V	240V	208V	240V	208V	18-25UC	18-25UC			
18UC 19UC	0-HK	600	18000	0	0	0	0	1.70	1.70	2	2	15	15
	3			3	2.3	10239	7781	14	12.76	18	16	20	20
	5			5	3.8	17065	12969	23	19.97	28	26	30	30
24UC 25UC	5	800	25000	5	3.8	17065	12969	23	19.97	28	26	30	30
	6			6	4.5	20478	15358	27	23.34	33	29	35	30
	8			8	6.0	27304	20750	35	30.55	44	38	45	40
	10			10	7.5	34130	25597	43	37.76	54	47	60	50
										30-37UC		30-37UC	
30UC 31UC	0-HK	1000	30000	0	0	0	0	2.0	2.0	3	3	15	15
	3			3	2.3	10239	7781	15	15	18	16	20	20
	5			5	3.8	17065	12969	23	20	29	26	30	30
36UC 37UC	5	1200	36000	5	3.8	17065	12969	23	20	29	26	30	30
	6			6	4.5	20478	15358	27	24	34	30	35	30
	8			8	6.0	27304	20750	35	31	44	39	45	40
	10			10	7.5	34130	25597	44	38	55	48	60	50



NOTES:

(1) 0 - 10 kW is available for ALL UC models
 Model number example - 18UC5 (1.5 Ton, 5kW)

BLOWER DATA							
UNIT MODEL	MOTOR HP (240V)	FAN SPEED	CFM VS. EXTERNAL STATIC PRESSURE				
			0.10	0.20	0.30	0.40	0.50
18UC 19UC	1/6	HIGH	895	855	825	810	775
		MEDIUM (1)	655	635	625	605	570
24UC 25UC	1/6	HIGH (1)	875	840	820	790	745
		MEDIUM	640	630	610	585	555
30UC 31UC	1/4	HIGH (1)	1080	1045	1030	975	920
		MEDIUM	950	940	910	865	820
		LOW	865	855	825	790	745
36UC 37UC	1/4	HIGH (1)	1300	1245	1185	1120	1055
		MEDIUM	1105	1065	1020	975	920
		LOW	980	960	925	885	830

In keeping with its policy of continuous progress and product improvement, First Operations reserves the right to make changes without notice. Maintenance for all First Co. products is available under "Product Maintenance" at www.firstco.com.

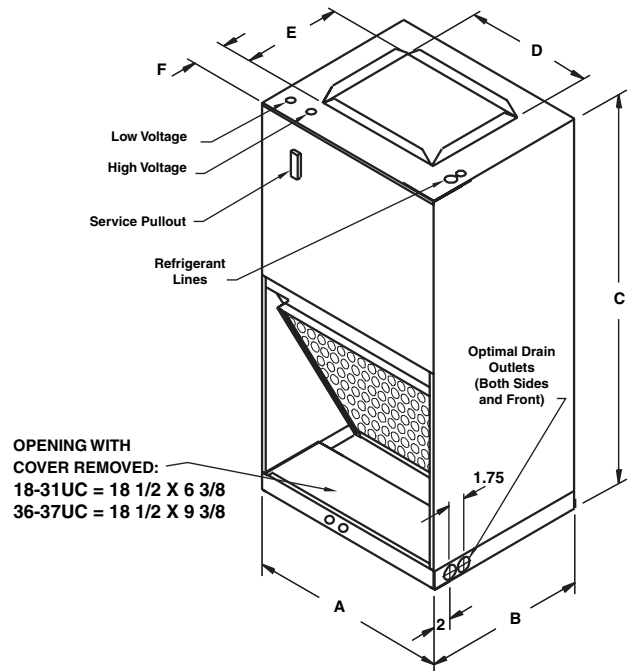
NOTES:

- Add nominal .05 static if wall panel is used.
- ALL models have multi-speed motors but are factory wired on the shaded speed listed for both heating and cooling operation.
 - * Recommended airflow range for safety, optimal performance and proper condensate drainage.
 - 18/19UC - 550-700 CFM
 - 25/25UC - 750-900 CFM
 - 30/31UC - 950-1100 CFM
 - 36/37UC - 1150-1300 CFM
- Contact factory for correct matches with outdoor units.
- Approved for installation with "0" clearance to combustible material.

PHYSICAL DIMENSIONS									
UNIT MODEL	A	B	C	D	E	F	FILTER SIZE	LIQUID LINE	SUCTION LINE
18 - 25UC	22-1/8	15-1/8	40	14	10.5	3-5/8	18 X 18	3/8 O.D.	5/8 O.D.
30 / 31UC	22-1/8	15-1/8	40	14	10.5	3-5/8	18 X 20	3/8 O.D.	3/4 O.D.
36 / 37UC	22-1/8	18-1/8	43	14	13	3-5/8	18 X 24	3/8 O.D.	3/4 O.D.

NOTES:

- Coil connections are sweat



UC Series

Wall / Closet Fan Coils

MODEL NUMBERS:

MODEL SIZE (BTU)	MODEL (PISTON)	FACTORY INSTALLED TXV'S	
		MODEL (R22 TXV)	MODEL (R410A TXV)
18,000	18UC	18UC(X) W/R22 TXV	18UC(X) W/R410A TXV
18,000	19UC	19UC(X) W/R22 TXV	19UC(X) W/R410A TXV
24,000	24UC	24UC(X) W/R22 TXV	24UC(X) W/R410A TXV
24,000	25UC	25UC(X) W/R22 TXV	25UC(X) W/R410A TXV
30,000	30UC	30UC(X) W/R22 TXV	30UC(X) W/R410A TXV
30,000	31UC	31UC(X) W/R22 TXV	31UC(X) W/R410A TXV
36,000	36UC	36UC(X) W/R22 TXV	36UC(X) W/R410A TXV
36,000	37UC	37UC(X) W/R22 TXV	37UC(X) W/R410A TXV

All TXV's are approved for cooling only or heat pump operation.

(X) = kW HEAT

NOTE:

Expansion valve requirement depends on the selected outdoor unit.
Go to: www.firstco.com or contact the factory for assistance.

(See P. 4 for Optional Accessories)

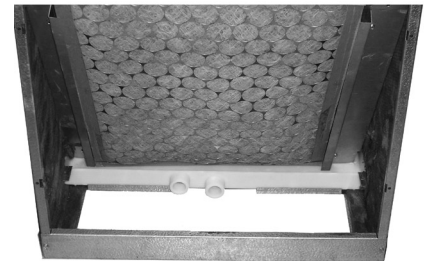
UC Series

Wall / Closet Fan Coils

OPTIONAL ACCESSORIES (FIELD INSTALLED)				
DESCRIPTION	PART #		DIMENSIONS	
	18 - 31UC	36 / 37UC	OUTSIDE FRAME	INSIDE FRAME
WALL PANEL (1)	9PWUC01L	---	25-5/8 X 43-3/8	22-5/8 X 40-3/8
WALL PANEL (1)	---	9PWUC02L	25-5/8 X 46-3/8	22-5/8 X 43-3/8
HANGER BRKT. SET	90PK3	90PK3	1-1/2 X 22-1/8	---
RETURN AIR COVER	90PK4	---	19-13/16 X 22	---
RETURN AIR COVER	---	90PK5	21-5/8 X 22	---
3kW HEATER KIT (2)	9EHUC1-203 (2)	9EHUC2-203 (2)	---	---
5kW HEATER KIT (2)	9EHUC1-205 (2)	9EHUC2-205 (2)	---	---
6kW HEATER KIT (2)	9EHUC1-206 (2)	9EHUC2-206 (2)	---	---
8kW HEATER KIT (2)	9EHUC1-208 (2)	9EHUC2-208 (2)	---	---
10kW HEATER KIT (2)	9EHUC1-210 (2)	9EHUC2-210 (2)	---	---
CONDENSATE OVERFLOW SWITCH	SS3	SS3	---	---



Optional wall panel
(Recessed wall application)



Condensate drain connections
(With drain access cover removed)
(Male connections shown)



Condensate Overflow Switch
#SS3

EXPANSION VALVE KITS (Heat Pump or cooling only) (FIELD INSTALLED)		
PART NO.	TYPE	FOR
9EVR22-2	R22	18 - 37UC (1-1/2 - 3 TON)
9EVR410-1	R410A	18 - 37UC (1-1/2 - 3 TON)

NOTES:

- Above expansion valve kits are approved for both cooling only (non heat pump) or heat pump applications.
- Valves are external equalizing, internal bleed.
- Valves mount inside unit cabinet.



Unit shown with optional
bottom return air kit
(#90PK4 or #90PK5)