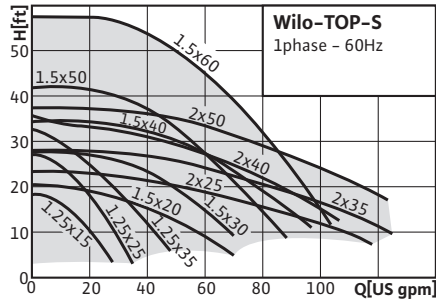


Standard Circulating Pumps

Product review

Range: Wilo-TOP-S



> Single-head pumps:

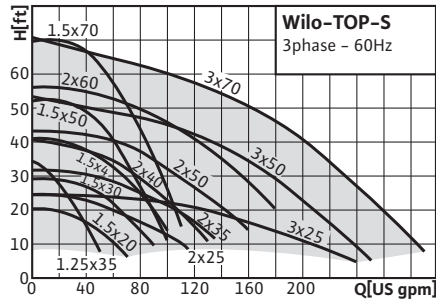
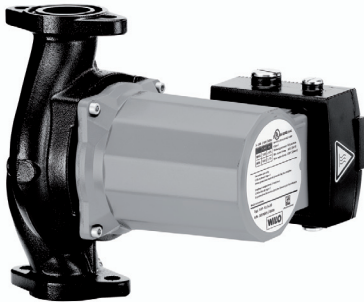
- Single stage wet rotor pump with flanged connection. Preselectable speed stages for capacity adjustment.

> Applications:

- Pumps with cast iron body for hot water heating systems of all kinds, air conditioning, closed cooling circuits, industrial circulation systems.

> Special features/product advantages:

- Pre-selectable speed stages for manual capacity adjustment
- Automatically vented
- Simple installation
- Quiet, maintenance free



Standard Circulating Pumps

Product review



Function, equipment Wilo-TOP-S

	Wilo-TOP-S...								
	1.25x15	1.25x25	1.25x35	1.5x20	1.5x30	1.5x40	1.5x50	1.5x60	1.5x70
Operating modes									
Speed stage switching	•	•	•	•	•	•	•	•	•
Manual functions									
Number of speed steps	2	2	2	2	2	2	2	2	2
Signal and display functions									
Thermal winding contact (WSK, floating NC contact)	•	•	•	•	•	•	•	•	•
Reverse rotation indicating lights	–	–	• (only with 3~ pumps)	• (only with 3~ pumps)	• (only with 3~ pumps)	• (only with 3~ pumps)	• (only with 3~ pumps)	• (only with 3~ pumps)	• (only with 3~ pumps)
Equipment/Scope of delivery									
Cable connection double-sided possible	•	•	•	•	•	•	•	•	•
Incl. seals	•	•	•	•	•	•	•	•	•
Incl. Installation and operating instructions	•	•	•	•	•	•	•	•	•

• = available, – = not available

Standard Circulating Pumps

Product review

Function, equipment Wilo-TOP-S

	Wilo-TOP-S...							
	2x25	2x35	2x40	2x50	2x60	3x25	3x50	3x70
Operating modes								
Speed stage switching	•	•	•	•	•	•	•	•
Manual functions								
Number of speed steps	2	2	2	2	2	2	2	2
Signal and display functions								
Thermal winding contact (WSK, floating NC contact)	•	•	•	•	•	•	•	•
Power ON and reverse rotation lights	• (only with 3~ pumps)	• (only with 3~ pumps)	• (only with 3~ pumps)	• (only with 3~ pumps)	• (only with 3~ pumps)	• (only with 3~ pumps)	• (only with 3~ pumps)	• (only with 3~ pumps)
Equipment								
Two pre-selectable speeds for capacity adjustment	•	•	•	•	•	•	•	•
Cataphoretic coated pump housing	•	•	•	•	•	•	•	•
Thermal overload motor protection	•	•	•	•	•	•	•	•
Cable feed both sides to facilitate installation	•	•	•	•	•	•	•	•
Scope of delivery								
Pump	•	•	•	•	•	•	•	•
Flange gaskets	•	•	•	•	•	–	–	–
Installation and operating instructions	•	•	•	•	•	•	•	•

• = available, – = not available

Technical data Wilo-TOP-S

		Wilo-TOP-S...								
		1.25x15	1.25x25	1.25x35	1.5x20	1.5x30	1.5x40	1.5x50	1.5x60	1.5x70
Approved fluids (other fluids on request)										
Heating water		•	•	•	•	•	•	•	•	•
Water/glycol mixtures (max. 1:1; mixtures with more than 20 % glycol require reassessment of the hydraulic criteria)		•	•	•	•	•	•	•	•	•
Domestic hot water		–	–	–	–	–	–	–	–	–
Performance										
Max. delivery head [ft]	1~	18.4	27.2	32.6	20.5	27.6	34.5	41.9	57.6	–
	3~	–	–	34.3	20.2	29.0	40.7	52.0	–	70.1
Max. delivery head [m]	1~	5.6	8.3	9.9	6.2	8.4	10.5	12.8	17.6	–
	3~	–	–	10.5	6.1	8.8	12.4	15.8	–	21.4
Max. volume rate of flow [USGPM]	1~	27	35	48	70	87	97	88	103.6	–
	3~	–	–	50	70	90	100	100	–	110
Max. volume rate of flow [m ³ /h]	1~	6.1	7.9	10.9	15.9	19.7	22.0	20.0	23.5	–
	3~	–	–	11.4	15.9	20.4	22.7	22.7	–	25.0
Acceptable field of application										
Temperature range for application in heating and cooling installations (closed circulating systems)		14 °F (–10 °C) up to 248 °F (+120 °C)								
Temperature range for open circulating systems		–	–	–	–	–	–	–	–	–
Temperature range in domestic hot water systems		–	–	–	–	–	–	–	–	–
Ambient temperature range		32 °F (0 °C) up to 104 °F (+40 °C)								
Max. working pressure p _{max}		145 psi (10 bar)	145 psi (10 bar)	145 psi (10 bar)	145 psi (10 bar)	145 psi (10 bar)	145 psi (10 bar)	145 psi (10 bar)	145 psi (10 bar)	145 psi (10 bar)
Pipe connections										
Nominal connection diameter – DS [in]		1.25	1.25	1.25	1.5	1.5	1.5	1.5	1.5	1.5
Non ANSI flange (oval, rotated 90°)		•	•	•	–	–	–	–	–	–
Non ANSI flange (oval)		–	–	–	•	•	•	•	•	•
Non ANSI flange (round)		–	–	–	–	–	–	–	–	–
ANSI flange		–	–	–	–	–	–	–	–	–

• = available, – = not available

Standard Circulating Pumps

Product review

Technical data Wilo-TOP-S

	Wilo-TOP-S...								
	1.25x15	1.25x25	1.25x35	1.5x20	1.5x30	1.5x40	1.5x50	1.5x60	1.5x70
Electrical connections									
Power supply 1~ [V]	115	115	115	115	115	115	115	–	–
	230	230	230	230	230	230	230	230	–
Power supply 3~ [V]	–	–	208-230	208-230	208-230	208-230	208-230	–	208-230
	–	–	–	–	460	460	460	–	460
	–	–	–	–	575	575	575	–	575
Frequency [Hz]	60	60	60	60	60	60	60	60	60
Motor/Electronics									
Degree of protection	Enclosure 2								
Protection class	H	H	H	H	H	H	H	H	H
Materials									
Pump housing	Cataphoretic coated cast iron (EN-GJL-250)								
Impeller	Engineered composite (PP - 50% GF)								
Shaft	Stainless steel (X46 Cr13)								
Bearing	Metal impregnated carbon								
Minimal static inlet pressure at pump suction port [psi] to avoid cavitation at fluid temperatures									
140 °F (60 °C)	1.8	1.8	1.8	1.8	1.8	1.8	1.8	1.8	1.8
194 °F (90 °C)	7.3	7.3	7.3	7.3	7.3	7.3	7.3	7.3	7.3
248 °F (120 °C)	29.9	29.9	29.9	29.9	29.9	29.9	29.9	29.9	29.9

• = available, – = not available

Technical data Wilo-TOP-S

		Wilo-TOP-S...							
		2x25	2x35	2x40	2x50	2x60	3x25	3x50	3x70
Approved fluids (other fluids on request)									
Heating water		•	•	•	•	•	•	•	•
Water/glycol mixtures (max. 1:1; mixtures with more than 20 % glycol require reassessment of the hydraulic criteria)		•	•	•	•	•	•	•	•
Domestic hot water		–	–	–	–	–	–	–	–
Performance									
Max. delivery head [ft]	1~	23.3	28.0	35.5	37.4	–	–	–	–
	3~	24.5	31.6	40.7	43.2	56.4	24.7	53.5	70.9
Max. delivery head [m]	1~	7.1	8.5	10.8	11.4	–	–	–	–
	3~	7.5	9.6	12.4	13.2	17.2	7.5	16.3	21.6
Max. volume rate of flow [USGPM]	1~	118.0	125.0	106.8	123.3	–	–	–	–
	3~	115.0	135.0	130.0	160.0	180.0	240.0	250.0	290.0
Max. volume rate of flow [m³/h]	1~	26.8	28.4	24.3	28.0	–	–	–	–
	3~	26.1	30.7	29.5	36.3	40.9	54.5	56.8	65.9
Acceptable field of application									
Temperature range for application in heating and cooling installations (closed circulating systems)		14 °F (-10 °C) up to 248 °F (+120 °C)							
Temperature range for open circulating systems		–	–	–	–	–	–	–	–
Temperature range in domestic hot water systems		–	–	–	–	–	–	–	–
Ambient temperature range		32 °F (0 °C) up to 104 °F (+40 °C)							
Max. working pressure p _{max}		145 psi (10 bar)	145 psi (10 bar)	145 psi (10 bar)	145 psi (10 bar)	145 psi (10 bar)	145 psi (10 bar)	145 psi (10 bar)	145 psi (10 bar)
Pipe connections									
Nominal connection diameter – DS [in]		2	2	2	2	2	3	3	3
Non ANSI flange (oval, rotated 90°)		–	–	–	–	–	–	–	–
Non ANSI flange (oval)		–	–	–	–	–	–	–	–
Non ANSI flange (round)		•	•	•	•	•	–	–	–
ANSI flange		–	–	–	–	–	•	•	•

• = available, – = not available

Standard Circulating Pumps

Product review

Technical data Wilo-TOP-S

	Wilo-TOP-S...							
	2x25	2x35	2x40	2x50	2x60	3x25	3x50	3x70
Electrical connections								
Power supply 1~ [V]	115	115	115	–	–	–	–	–
	230	230	230	230	–	–	–	–
Power supply 3~ [V]	208-230	208-230	208-230	208-230	208-230	208-230	208-230	208-230
	460	460	460	460	460	460	460	460
	575	575	575	575	575	575	575	575
Frequency [Hz]	60	60	60	60	60	60	60	60
Motor/Electronics								
Degree of protection	Enclosure 2							
Protection class	H	H	H	H	H	H	H	H
Materials								
Pump housing	Cataphoretic coated cast iron (EN-GJL-250)							
Impeller	Plastics (PP - 50% GF)							
Shaft	Stainless steel (X46 Cr13)							
Bearing	Metal impregnated carbon							
Minimal static inlet pressure at pump suction port [psi] to avoid cavitation at fluid temperatures								
140 °F (60 °C)	6.3	6.3	6.3	6.3	6.3	6.3	6.3	6.3
194 °F (90 °C)	15.4	15.4	15.4	15.4	15.4	15.4	15.4	15.4
248 °F (120 °C)	38.9	38.9	38.9	38.9	38.9	38.9	38.9	38.9

• = available, – = not available

Standard Circulating Pumps

Wilco-TOP-S

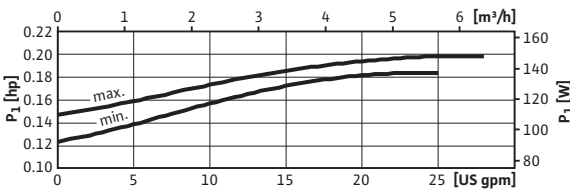
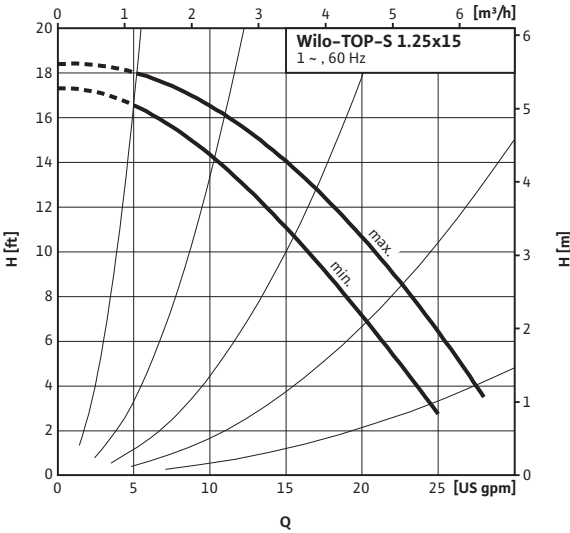


Pump curves

Note: The solid line of the following hydraulic curves indicates the permitted range of performance.

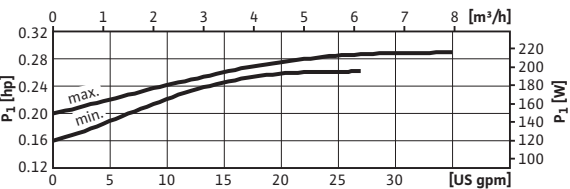
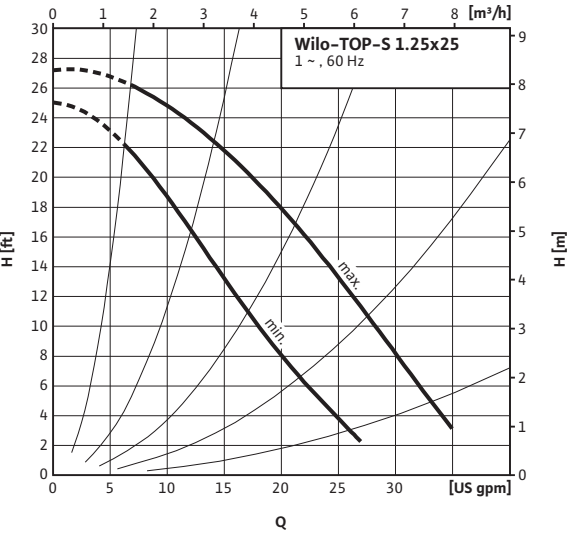
Wilco-TOP-S 1.25x15

1~ (single phase motor)



Wilco-TOP-S 1.25x25

1~ (single phase motor)



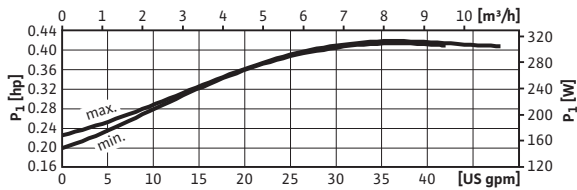
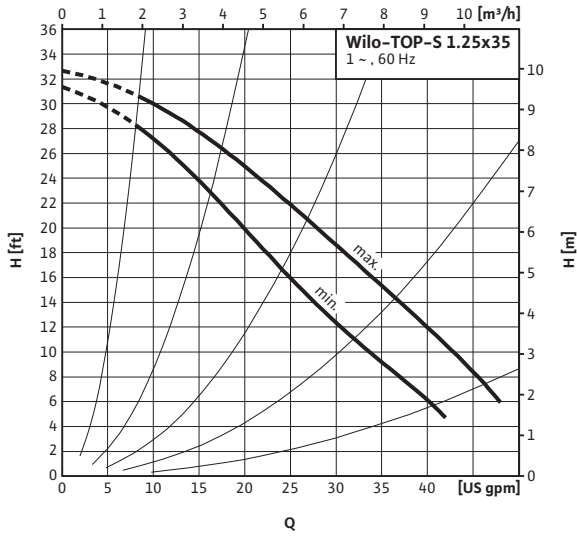
Standard Circulating Pumps

Wilco-TOP-S

Pump curves

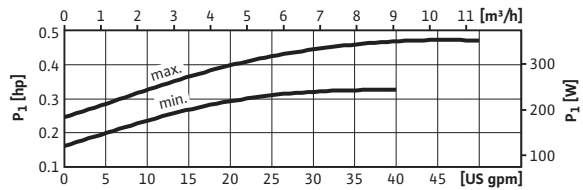
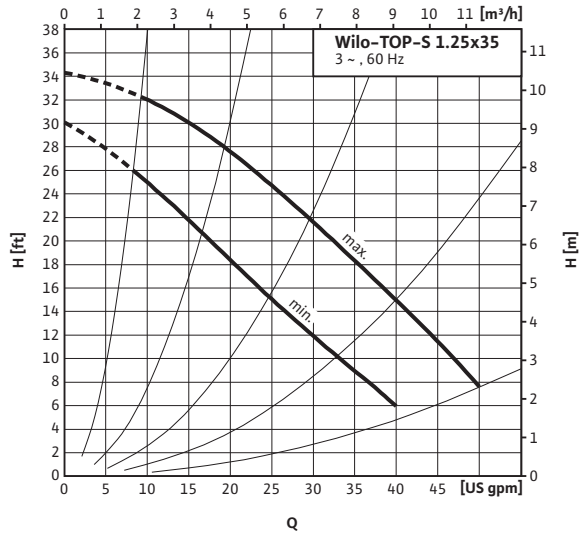
Wilco-TOP-S 1.25x35

1~ (single phase motor)



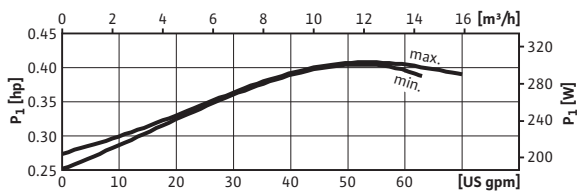
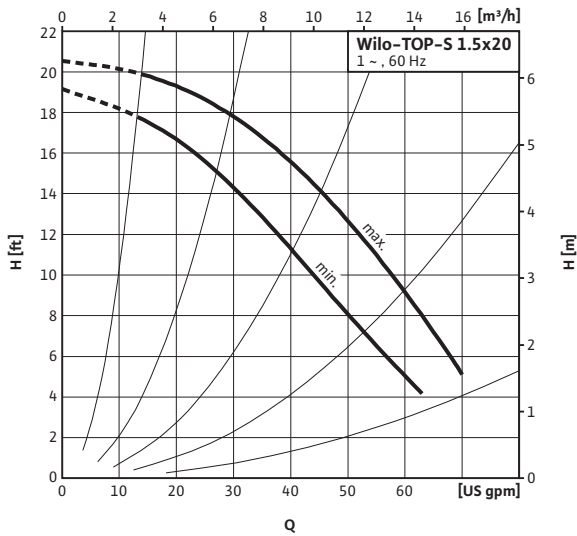
Wilco-TOP-S 1.25x35

3~ (three phase motor)



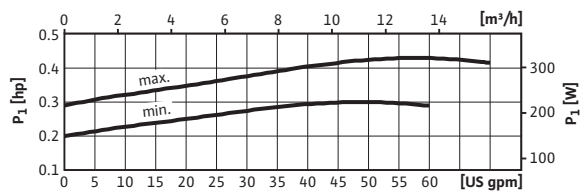
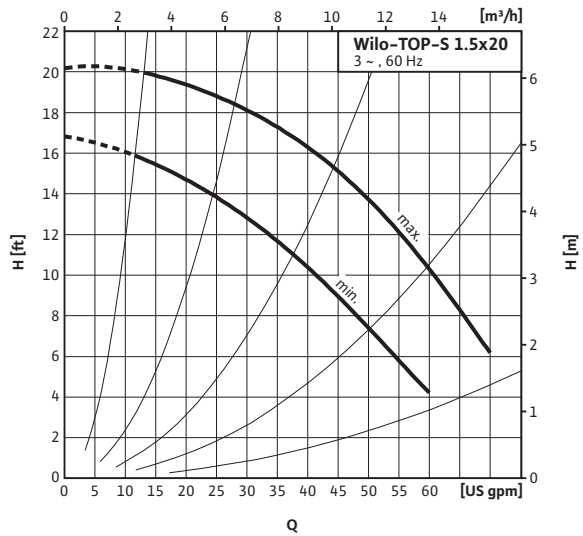
Wilco-TOP-S 1.5x20

1~ (single phase motor)



Wilco-TOP-S 1.5x20

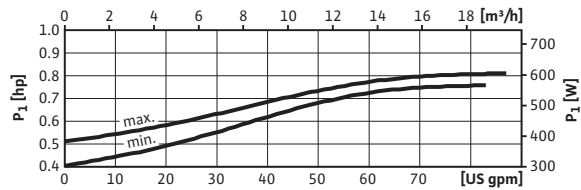
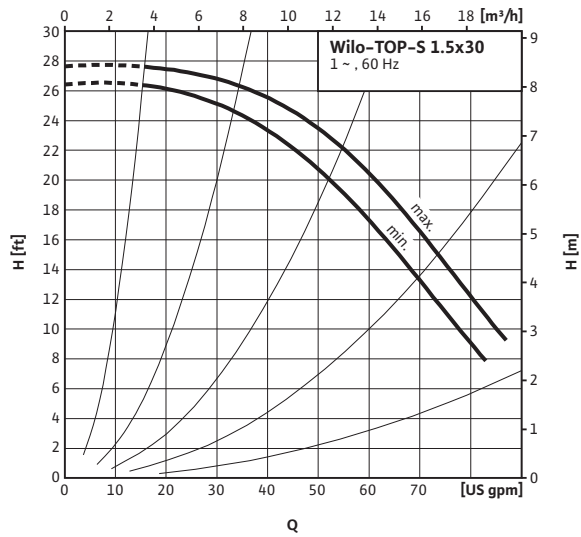
3~ (three phase motor)



Pump curves

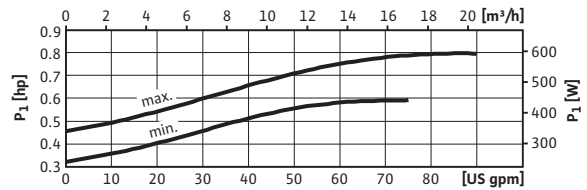
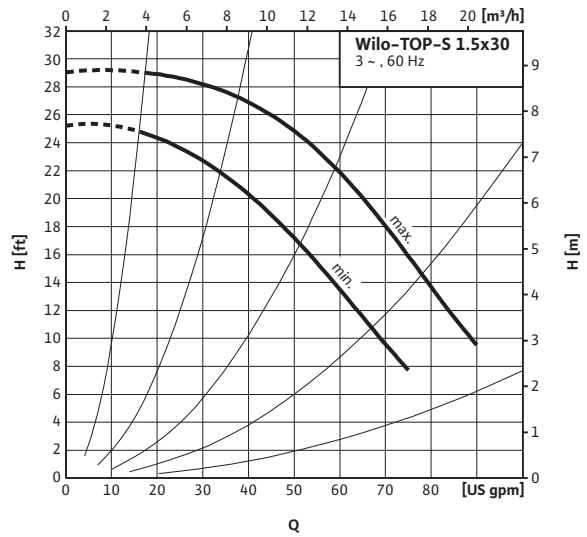
Wilo-TOP-S 1.5x30

1~ (single phase motor)



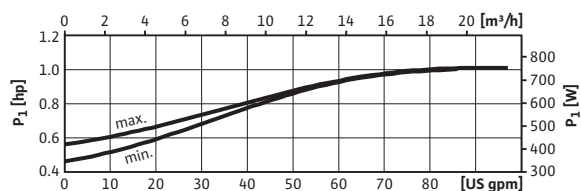
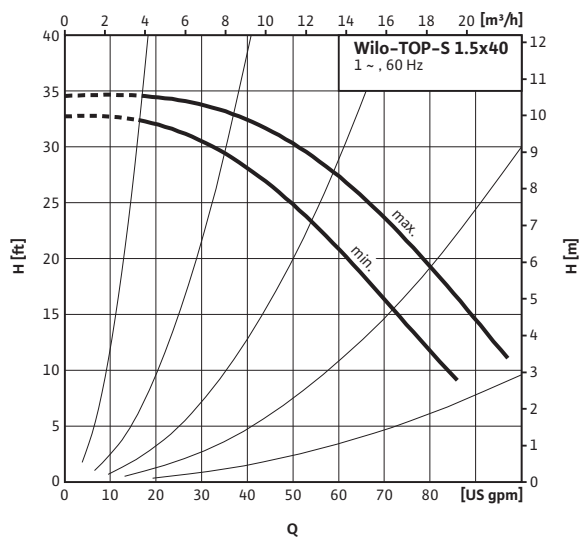
Wilo-TOP-S 1.5x30

3~ (three phase motor)



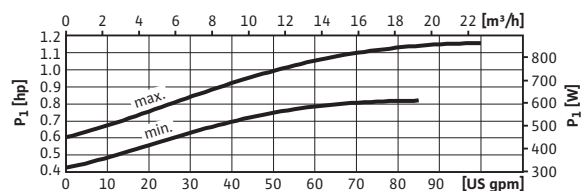
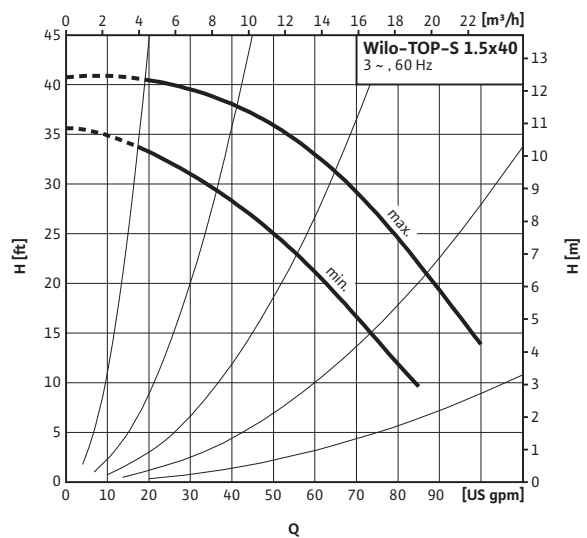
Wilo-TOP-S 1.5x40

1~ (single phase motor)



Wilo-TOP-S 1.5x40

3~ (three phase motor)



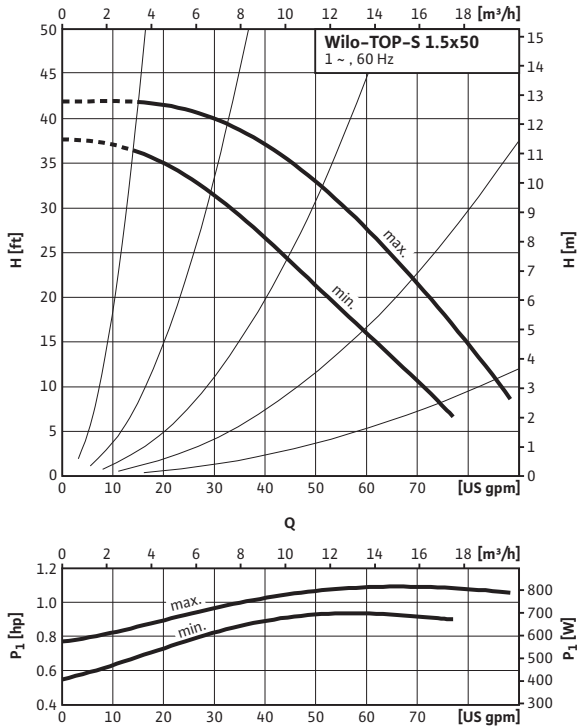
Standard Circulating Pumps

Wilco-TOP-S

Pump curves

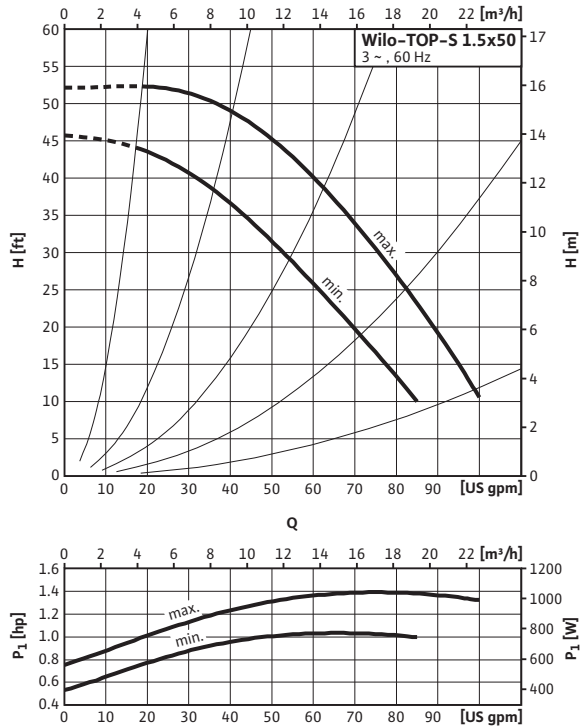
Wilco-TOP-S 1.5x50

1~ (single phase motor)



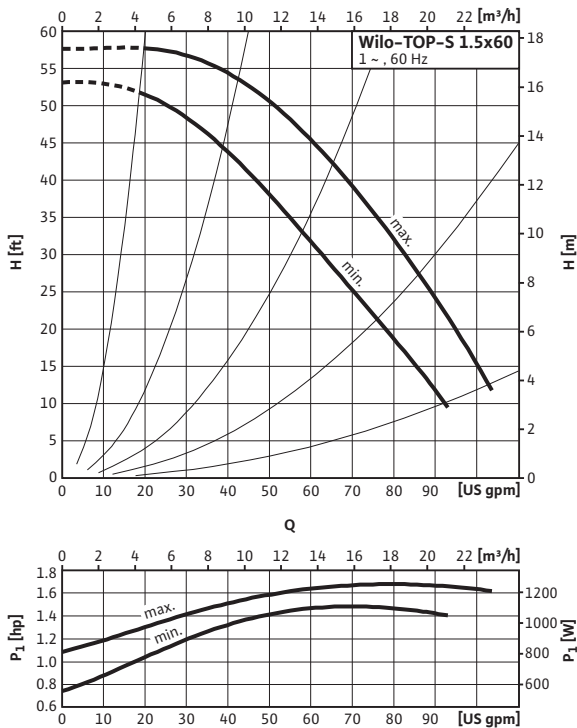
Wilco-TOP-S 1.5x50

3~ (three phase motor)



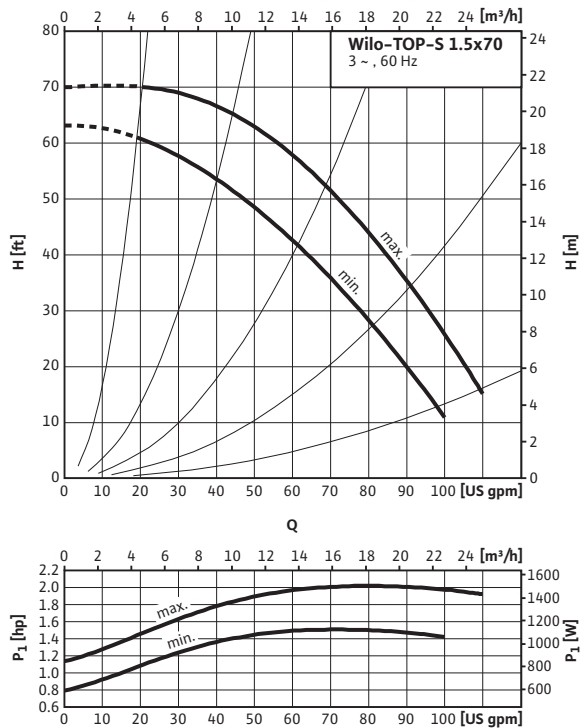
Wilco-TOP-S 1.5x60

1~ (single phase motor)



Wilco-TOP-S 1.5x70

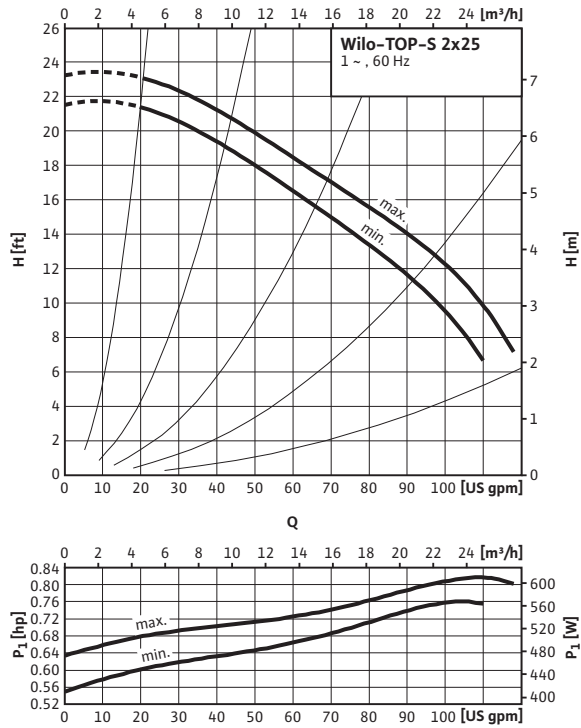
3~ (three phase motor)



Pump curves

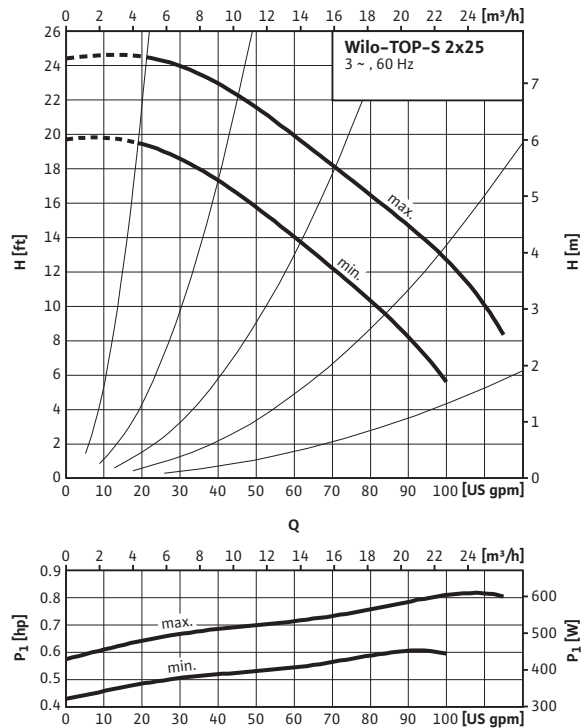
Wilo-TOP-S 2x25

1~ (single phase motor)



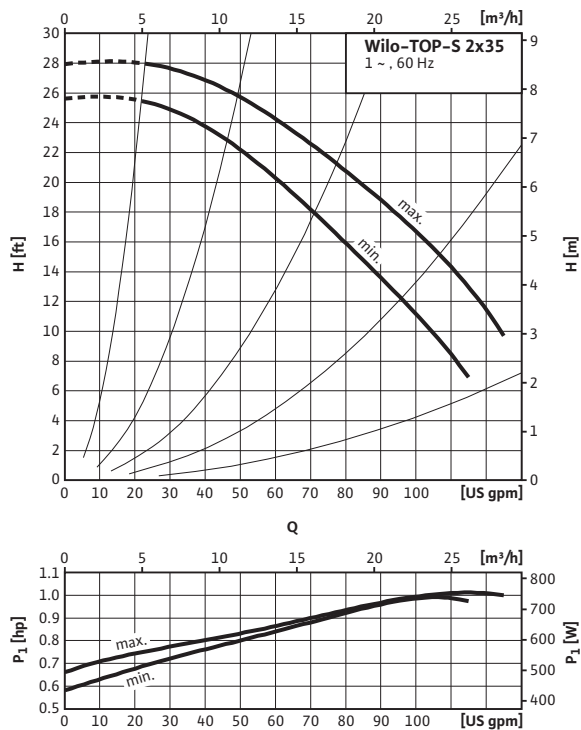
Wilo-TOP-S 2x25

3~ (three phase motor)



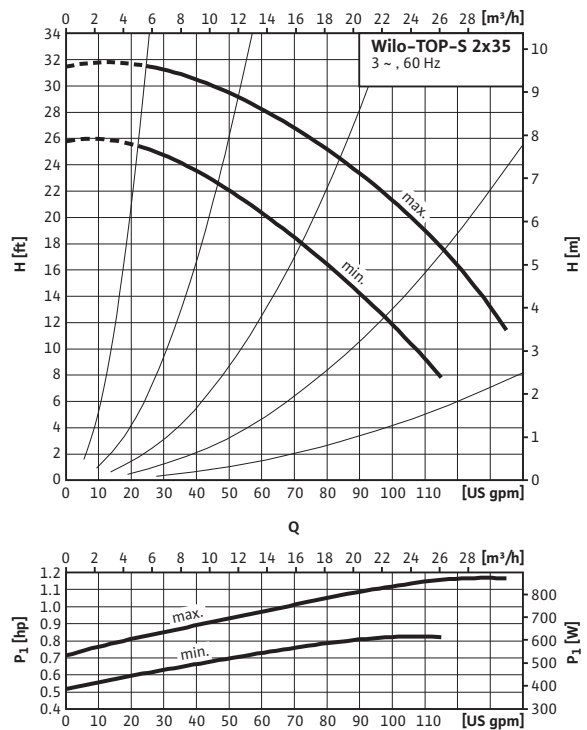
Wilo-TOP-S 2x35

1~ (single phase motor)



Wilo-TOP-S 2x35

3~ (three phase motor)



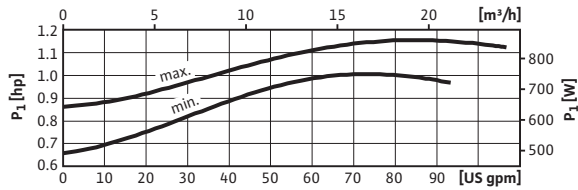
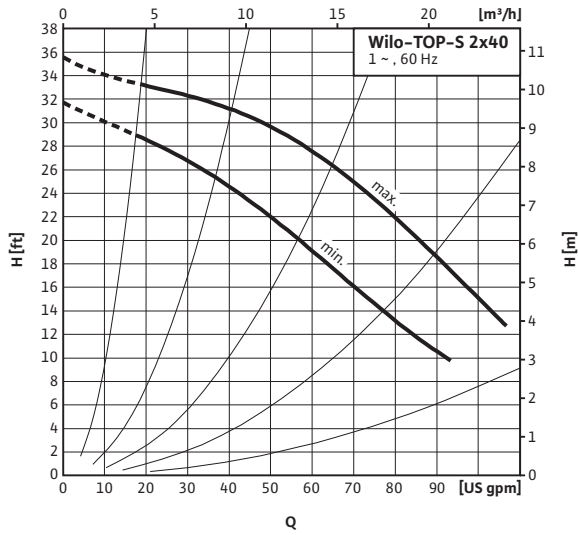
Standard Circulating Pumps

Wilco-TOP-S

Pump curves

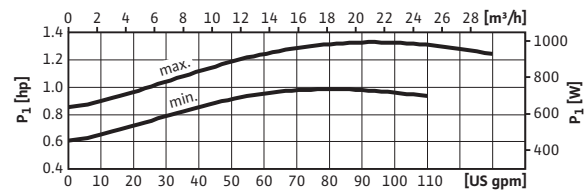
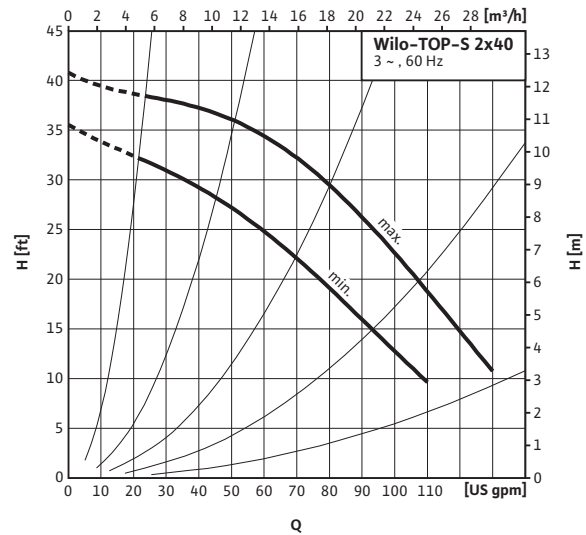
Wilco-TOP-S 2x40

1~ (single phase motor)



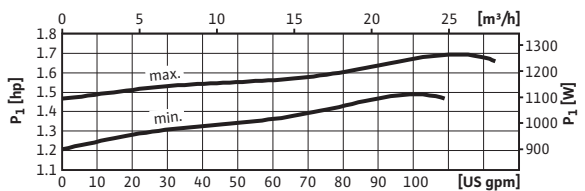
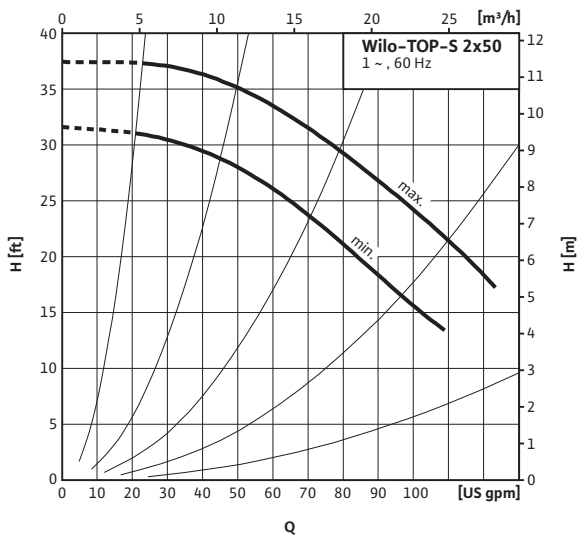
Wilco-TOP-S 2x40

3~ (three phase motor)



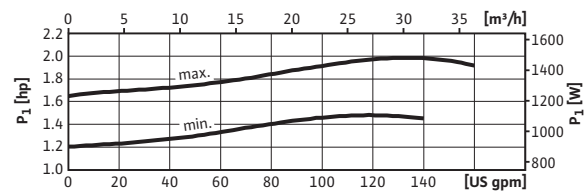
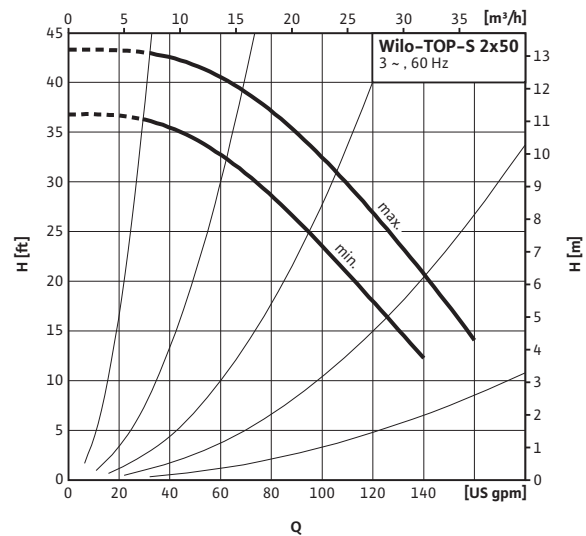
Wilco-TOP-S 2x50

1~ (single phase motor)



Wilco-TOP-S 2x50

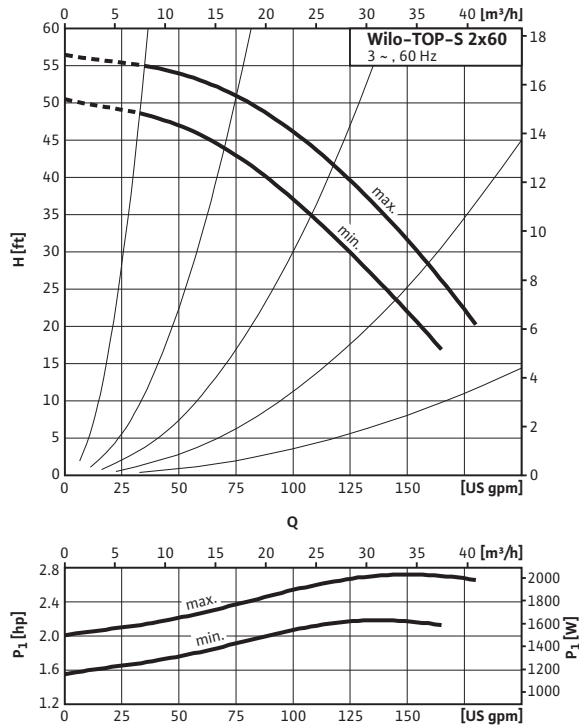
3~ (three phase motor)



Pump curves

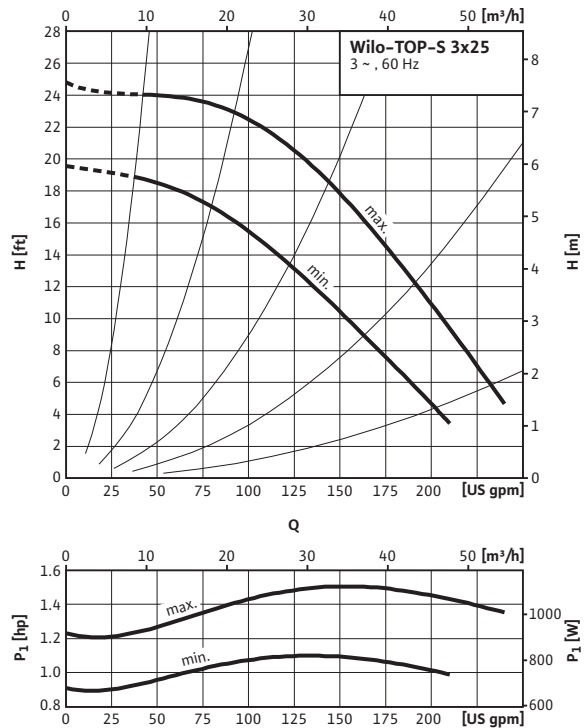
Wilco-TOP-S 2x60

3~ (three phase motor)



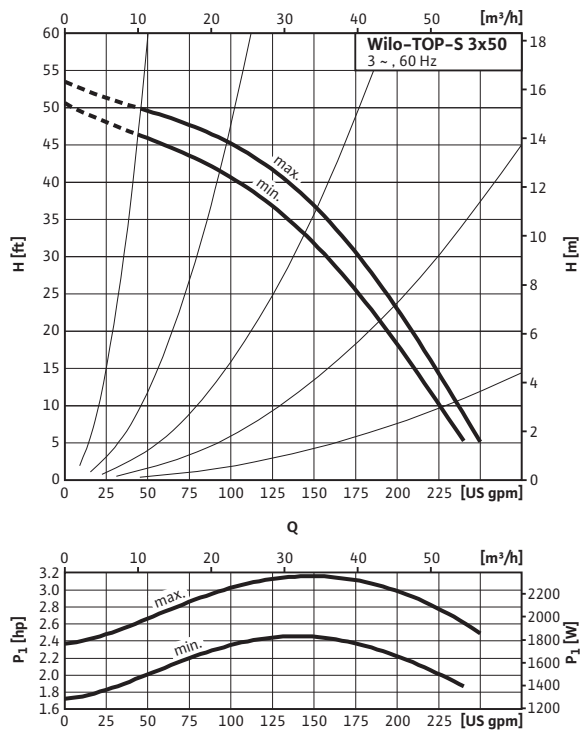
Wilco-TOP-S 3x25

3~ (three phase motor)



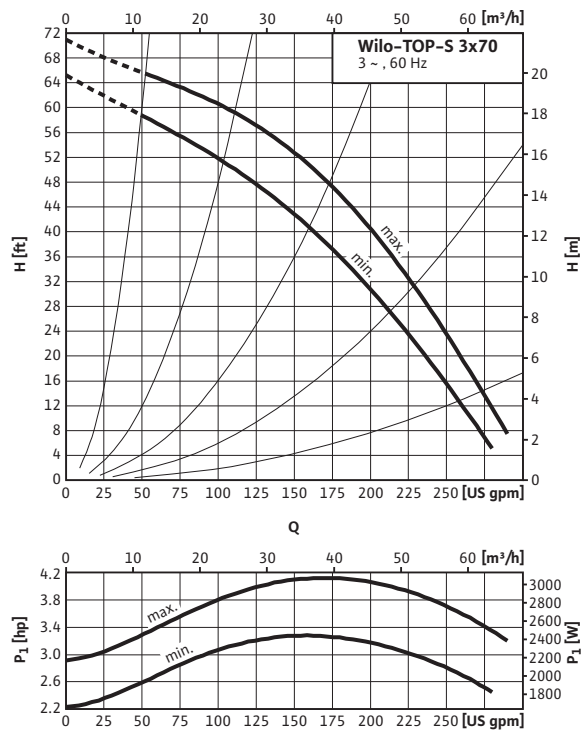
Wilco-TOP-S 3x50

3~ (three phase motor)



Wilco-TOP-S 3x70

3~ (three phase motor)

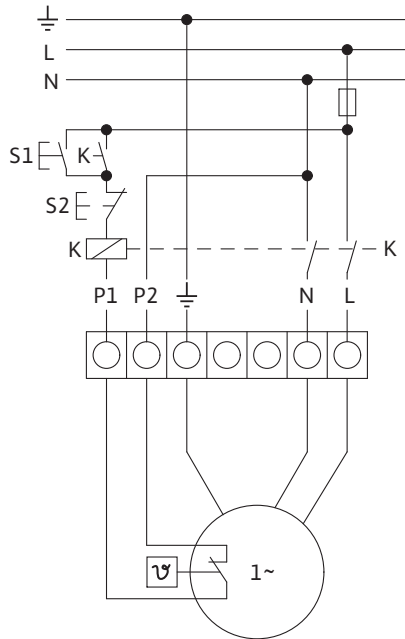


Standard Circulating Pumps

Wilo-TOP-S

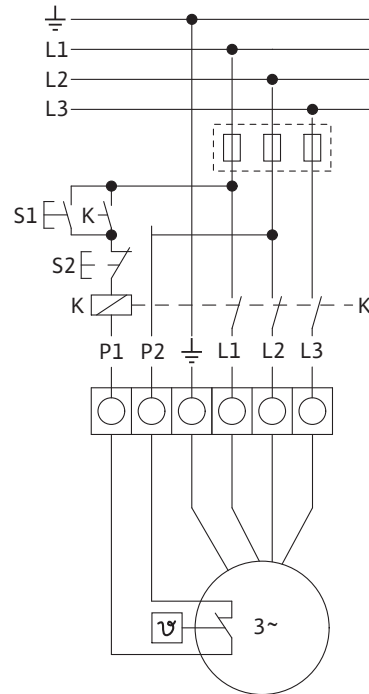
Wiring diagrams

Wiring diagramm A - single phase motor
2-pole, 1~115/230 V, 60 Hz



Note: The pump must be connected to the electrical supply via an external contactor to provide thermal overload protection.

Wiring diagramm B - three phase motor
2-pole, 3~208-230/460/575 V, 60 Hz



Note: The pump must be connected to the electrical supply via an external contactor to provide thermal overload protection.

Standard Circulating Pumps

Wilo-TOP-S



Motor data

Motor Data – single phase motor										
Wilo-TOP-S...	Rated Power		Speed	Power consumption	Current		Capacitor		Screwed cable gland	Wiring diagramm
	P ₂ (at high speed)		n	P ₁	1~115 V	1~230 V	1~115 V	1~230 V	–	–
	[hp]	[W]	[rpm]	[W]	I [A]		– [µF/VDB]		[in]	–
1.25x15	1/8	80	3200	145	1.4	0.7	16/250	4/450	2 x 1/2" 2 x 1/4"	A
			2950	140	1.3	0.6				
1.25x25	1/8	90	3100	215	2.0	1.0	20/250	5/450	2 x 1/2" 2 x 1/4"	A
			2750	195	1.9	0.9				
1.25x35	1/4	180	3250	315	3.1	1.6	24/250	6/450	2 x 1/2" 2 x 1/4"	A
			3050	305	2.9	1.5				
1.5x20	1/4	180	3250	305	3.1	1.6	24/250	6/450	2 x 1/2" 2 x 1/4"	A
			3000	300	2.9	1.5				
1.5x30	1/2	350	3400	610	5.9	3.0	56/250	14/450	2 x 1/2" 2 x 1/4"	A
			3300	570	5.7	2.9				
1.5x40	5/8	450	3350	755	7.5	3.8	56/250	14/450	2 x 1/2" 2 x 1/4"	A
			3200	745	7.2	3.6				
1.5x50	3/4	570	3150	820	7.8	3.9	80/250	20/450	2 x 1/2" 2 x 1/4"	A
			2800	700	7.4	3.7				
1.5x60	1 1/2	1100	3300	1255	–	6.0	–	30/450	2 x 1/2" 2 x 1/4"	A
			2950	1110	–	5.7				
2x25	1/2	350	3450	610	5.9	3.0	56/250	14/450	2 x 1/2" 2 x 1/4"	A
			3300	570	5.7	2.9				
2x35	5/8	450	3350	755	7.5	3.8	56/250	14/450	2 x 1/2" 2 x 1/4"	A
			3150	740	7.2	3.6				
2x40	3/4	570	3200	860	8.0	4.0	80/250	20/450	2 x 1/2" 2 x 1/4"	A
			2800	750	7.6	3.8				
2x50	1 1/2	1100	3300	1265	–	6.0	–	30/450	2 x 1/2" 2 x 1/4"	A
			2950	1110	–	5.7				

Standard Circulating Pumps

Wilo-TOP-S

Motor data

Motor Data – three phase motor

Wilo-TOP-S...	Rated Power		Speed	Power consumption	Current			Screwed cable gland	Wiring diagramm
	P ₂ (at high speed)		n	P ₁	3~208-230 V	3~460 V	3~575 V	–	–
	[hp]	[W]	[rpm]	[W]	I [A]			[in]	–
TOP-S 1.25x35	1/4	180	3310	355	1.3	–	–	2 x 1/2" 2 x 1/4"	B
			2840	245	0.8	–	–		
TOP-S 1.5x20	1/4	180	3340	325	1.3	–	–	2 x 1/2" 2 x 1/4"	B
			2840	225	0.7	–	–		
TOP-S 1.5x30	1/2	350	3390	595	2.1	1.0	0.8	2 x 1/2" 2 x 1/4"	B
			2990	445	1.4	0.7	0.5		
TOP-S 1.5x40	5/8	450	3330	870	3.0	1.5	1.2	2 x 1/2" 2 x 1/4"	B
			2890	615	1.9	0.9	0.7		
TOP-S 1.5x50	3/4	570	3380	1040	3.6	1.8	1.4	2 x 1/2" 2 x 1/4"	B
			2970	775	2.4	1.2	0.9		
TOP-S 1.5x70	1 1/2	1100	3410	1505	5.3	2.6	2.1	2 x 1/2" 2 x 1/4"	B
			3050	1125	3.5	1.7	1.4		
TOP-S 2x25	1/2	350	3380	610	2.1	1.1	0.8	2 x 1/2" 2 x 1/4"	B
			2950	455	1.4	0.7	0.6		
TOP-S 2x35	5/8	450	3330	870	3.0	1.5	1.2	2 x 1/2" 2 x 1/4"	B
			2870	615	1.9	0.9	0.8		
TOP-S 2x40	3/4	570	3380	995	3.5	1.7	1.4	2 x 1/2" 2 x 1/4"	B
			2940	740	2.3	1.1	0.9		
TOP-S 2x50	1 1/2	1100	3420	1480	5.2	2.6	2.1	2 x 1/2" 2 x 1/4"	B
			3080	1105	3.4	1.7	1.4		
TOP-S 2x60	1 3/4	1300	3460	2035	6.8	3.4	2.7	2 x 1/2" 2 x 1/4"	B
			3180	1630	4.9	2.4	2.0		
TOP-S 3x25	3/4	570	3340	1125	3.8	1.9	1.5	2 x 1/2" 2 x 1/4"	B
			2910	820	2.5	1.3	1.0		
TOP-S 3x50	2 1/8	1600	3510	2360	8.7	4.3	3.5	2 x 1/2" 2 x 1/4"	B
			3340	1835	5.7	2.9	2.3		
TOP-S 3x70	2 1/8	1600	3470	3080	10.3	5.1	4.1	2 x 1/2" 2 x 1/4"	B
			3210	2450	7.7	3.9	3.1		

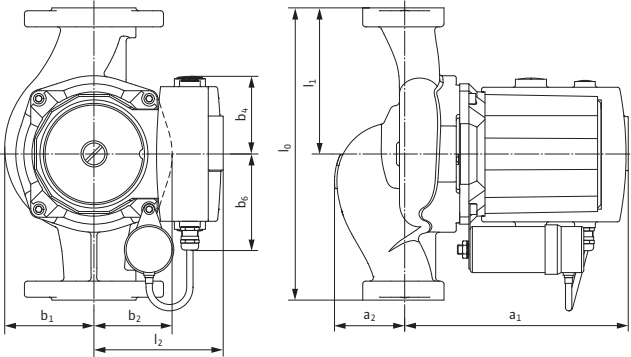
Standard Circulating Pumps

Wilo-TOP-S

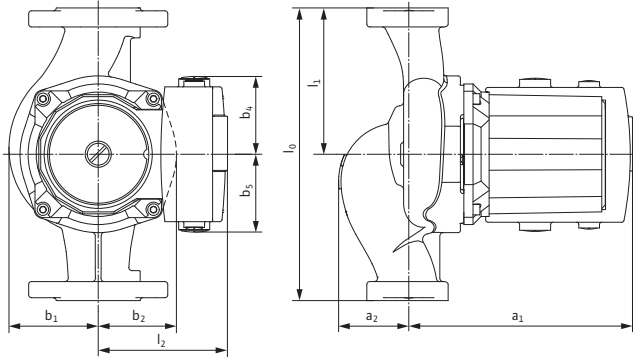


Dimensions, weights

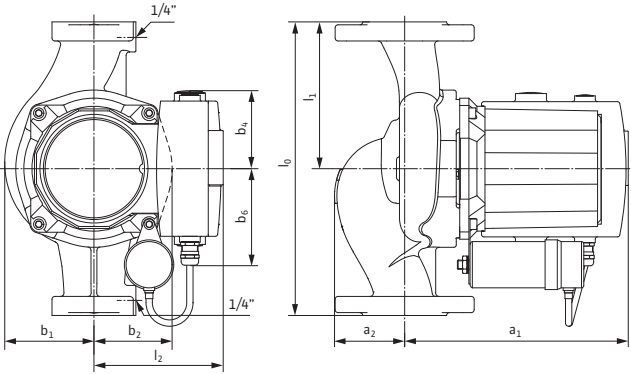
Drawing no.: 1



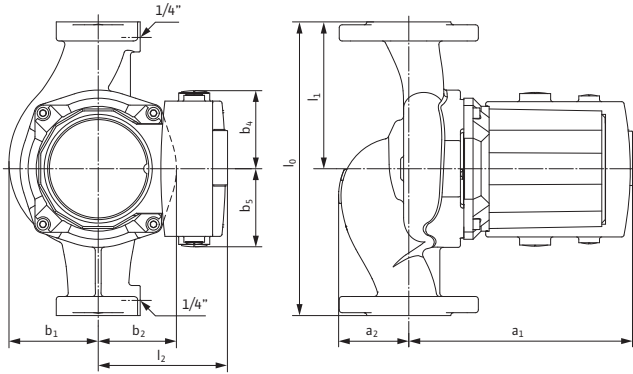
Drawing no.: 2



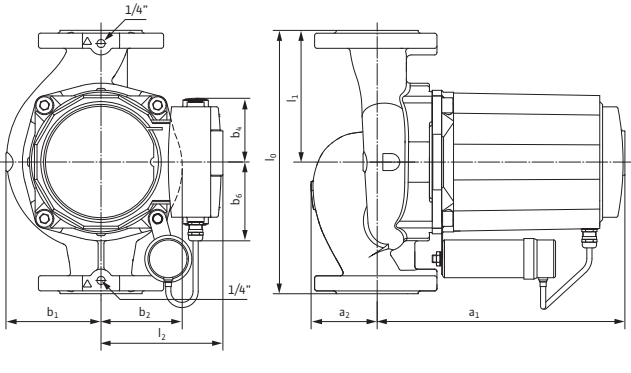
Drawing no.: 3



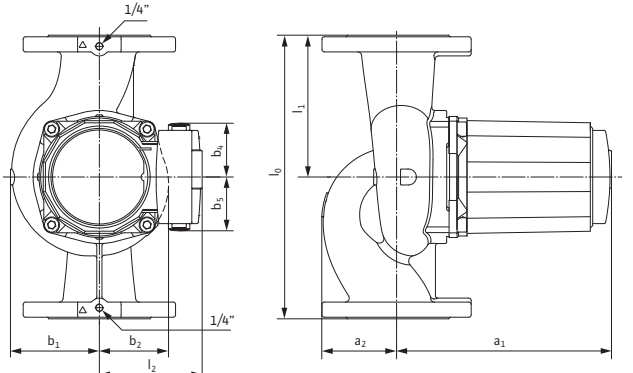
Drawing no.: 4



Drawing no.: 5



Drawing no.: 6

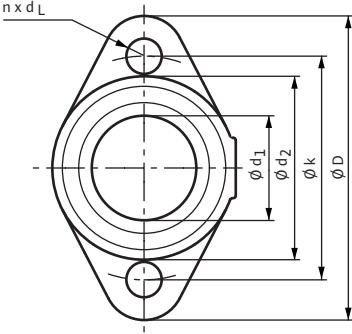


Standard Circulating Pumps

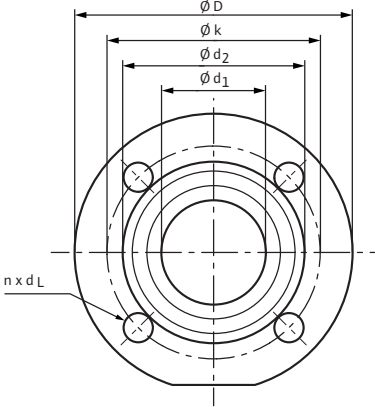
Wilo-TOP-S

Dimensions, weights

Drawing no.: 7



Drawing no.: 8



Dimensions, weights

Dimensions, weights - single phase motor

Wilo-TOP-S...	Flange diameter		Pump dimensions									
	DN		l ₀		l ₁		l ₂		a ₁		a ₂	
	[in]	[mm]	[in]	[mm]	[in]	[mm]	[in]	[mm]	[in]	[mm]	[in]	[mm]
1.25x15	1.25	32	6 ¹ / ₂	165	3 ¹ / ₄	82.5	4 ³ / ₁₆	106	7 ¹¹ / ₁₆	195	1 ¹ / ₄	32.0
1.25x25	1.25	32	6 ¹ / ₂	165	3 ¹ / ₄	82.5	4 ³ / ₁₆	106	7 ¹¹ / ₁₆	195	1 ¹ / ₄	32.0
1.25x35	1.25	32	8 ¹ / ₂	216	4 ¹ / ₄	108.0	4 ⁷ / ₁₆	113	7 ¹⁰ / ₁₆	193	1 ¹¹ / ₁₆	42.5
1.5x20	1.50	40	10	254	5	127.0	4 ⁷ / ₁₆	113	7 ¹¹ / ₁₆	195	2 ³ / ₈	61.0
1.5x30	1.50	40	10	254	5	127.0	4 ³ / ₄	120	9 ¹ / ₄	235	2 ⁵ / ₁₆	58.0
1.5x40	1.50	40	10	254	5	127.0	4 ³ / ₄	120	9 ¹ / ₄	235	2 ⁵ / ₁₆	58.0
1.5x50	1.50	40	10	254	5	127.0	5 ¹ / ₈	130	10 ⁷ / ₈	277	2 ¹ / ₈	54.0
1.5x60	1.50	40	10	254	5	127.0	5 ¹ / ₈	130	10 ⁷ / ₈	277	2 ¹ / ₈	54.0
2x 25	2.00	50	11	279	5 ¹ / ₂	139.5	4 ³ / ₄	120	9 ⁹ / ₁₆	243	2 ¹ / ₂	64.0
2x35	2.00	50	11	279	5 ¹ / ₂	139.5	4 ³ / ₄	120	9 ⁹ / ₁₆	243	2 ¹ / ₂	64.0
2x40	2.00	50	11	279	5 ¹ / ₂	139.5	5 ¹ / ₈	130	10 ³ / ₈	263	2 ¹ / ₂	70.0
2x50	2.00	50	13 ¹ / ₂	343	6 ³ / ₄	171.5	5 ¹ / ₈	130	11 ⁷ / ₁₆	290	3 ⁷ / ₁₆	88.0

Dimensions, weights - single phase motor (continuation)

Wilo-TOP-S...	Pump dimensions								Weight approx. net		Drawing No.
	b ₁		b ₂		b ₄		b ₅		-		-
	[in]	[mm]	[in]	[mm]	[in]	[mm]	[in]	[mm]	[lbs]	[kg]	-
1.25x15	2 ⁹ / ₁₆	65.5	2 ³ / ₁₆	56	2 ³ / ₄	70	3 ⁵ / ₁₆	83.5	13.7	6.2	1
1.25x25	2 ⁹ / ₁₆	65.5	2 ³ / ₁₆	56	2 ³ / ₄	70	3 ⁵ / ₁₆	83.5	14.1	6.4	1
1.25x35	2 ¹¹ / ₁₆	69.0	2 ³ / ₈	60	2 ³ / ₄	70	3 ⁵ / ₁₆	83.5	18.5	8.4	1
1.5x20	3 ¹ / ₁₆	78.0	2 ¹¹ / ₁₆	68	2 ³ / ₄	70	3 ⁵ / ₁₆	83.5	20.5	9.3	3
1.5x30	3 ⁹ / ₁₆	90.0	3 ¹ / ₈	79	2 ³ / ₄	70	3 ⁵ / ₁₆	83.5	29.3	13.3	3
1.5x40	3 ⁹ / ₁₆	90.0	3 ¹ / ₈	79	2 ³ / ₄	70	3 ⁵ / ₁₆	83.5	29.3	13.3	3
1.5x50	3 ⁷ / ₈	99.0	3 ³ / ₈	86	2 ³ / ₄	70	3 ⁵ / ₁₆	83.5	40.8	18.5	3
1.5x60	3 ⁷ / ₈	99.0	3 ³ / ₈	86	2 ³ / ₄	70	3 ⁵ / ₁₆	83.5	45.6	20.7	3
2x 25	3 ⁹ / ₁₆	91.0	3	76	2 ³ / ₄	70	3 ⁵ / ₁₆	83.5	34.0	15.4	5
2x35	3 ⁹ / ₁₆	91.0	3	76	2 ³ / ₄	70	3 ⁵ / ₁₆	83.5	33.3	15.1	5
2x40	4	101.0	3 ³ / ₈	86	2 ³ / ₄	70	3 ⁵ / ₁₆	83.5	43.0	19.5	5
2x50	4 ¹ / ₈	105.0	3 ⁹ / ₁₆	90	2 ³ / ₄	70	3 ⁵ / ₁₆	83.5	50.9	23.1	5

Standard Circulating Pumps

Wilo-TOP-S

Dimensions, weights

Dimensions, weights – three phase motor

Wilo-TOP-S...	Flange diameter		Pump dimensions									
	DN		l ₀		l ₁		l ₂		a ₁		a ₂	
	[in]	[mm]	[in]	[mm]	[in]	[mm]	[in]	[mm]	[in]	[mm]	[in]	[mm]
1.25x35	1.25	32	8 ¹ / ₂	216	4 ¹ / ₄	108.0	4 ⁷ / ₁₆	113	7 ⁵ / ₈	193	1 ¹¹ / ₁₆	42.5
1.5x20	1.5	32	10	254	5	127.0	4 ⁷ / ₁₆	113	7 ¹¹ / ₁₆	195	2 ³ / ₈	61
1.5x30	1.5	32	10	254	5	127.0	4 ³ / ₄	120	9 ¹ / ₄	235	2 ⁵ / ₁₆	58
1.5x40	1.5	40	10	254	5	127.0	4 ³ / ₄	120	9 ¹ / ₄	235	2 ⁵ / ₁₆	58
1.5x50	1.5	40	10	254	5	127.0	5 ¹ / ₈	130	10 ⁷ / ₈	277	2 ¹ / ₈	54
1.5x70	1.5	40	10	254	5	127.0	5 ¹ / ₈	130	10 ⁷ / ₈	277	2 ¹ / ₈	54
2x25	2	50	11	279	5 ¹ / ₂	139.5	4 ³ / ₄	120	9 ⁹ / ₁₆	243	2 ¹ / ₂	64
2x35	2	50	11	279	5 ¹ / ₂	139.5	4 ³ / ₄	120	9 ⁹ / ₁₆	243	2 ¹ / ₂	64
2x40	2	50	11	279	5 ¹ / ₂	139.5	5 ¹ / ₈	130	10 ³ / ₈	263	2 ³ / ₄	70
2x50	2	50	13 ¹ / ₂	343	6 ³ / ₄	171.5	5 ¹ / ₈	130	11 ⁷ / ₁₆	290	3 ⁷ / ₁₆	88
2x60	2	50	13 ¹ / ₂	343	6 ³ / ₄	171.5	5 ¹ / ₈	130	11 ⁷ / ₁₆	290	3 ⁷ / ₁₆	88
3x25	3	80	14	356	7	178.0	5 ¹ / ₈	130	10 ¹¹ / ₁₆	271	3 ¹¹ / ₁₆	94
3x50	3	80	14	356	7	178.0	6 ¹ / ₁₆	154	13 ¹ / ₁₆	332	6 ¹ / ₄	159
3x70	3	80	14	356	7	178.0	6 ¹ / ₁₆	154	13 ¹ / ₁₆	332	6 ¹ / ₄	159

Dimensions, weights – three phase motor (continuation)

Wilo-TOP-S...	Pump dimensions								Weight approx. net		Drawing No.
	b ₁		b ₂		b ₄		b ₅		-		
	[in]	[mm]	[in]	[mm]	[in]	[mm]	[in]	[mm]	[lbs]	[kg]	
1.25x35	2 ¹¹ / ₁₆	69	2 ³ / ₈	60	2 ³ / ₄	70	2 ³ / ₄	70	18.3	8.3	2
1.5x20	3 ¹ / ₁₆	78	2 ¹¹ / ₁₆	68	2 ³ / ₄	70	2 ³ / ₄	70	20.3	9.2	4
1.5x30	3 ⁹ / ₁₆	90	3 ¹ / ₈	79	2 ³ / ₄	70	2 ³ / ₄	70	27.3	12.4	4
1.5x40	3 ⁹ / ₁₆	90	3 ¹ / ₈	79	2 ³ / ₄	70	2 ³ / ₄	70	28.7	13.0	4
1.5x50	3 ⁷ / ₈	99	3 ³ / ₈	86	2 ³ / ₄	70	2 ³ / ₄	70	40.1	18.2	4
1.5x70	3 ⁷ / ₈	99	3 ³ / ₈	86	2 ³ / ₄	70	2 ³ / ₄	70	45.0	20.4	4
2x25	3 ⁹ / ₁₆	91	3	76	2 ³ / ₄	70	2 ³ / ₄	70	32.0	14.5	6
2x35	3 ⁹ / ₁₆	91	3	76	2 ³ / ₄	70	2 ³ / ₄	70	34.0	15.4	6
2x40	4	101	3 ³ / ₈	86	2 ³ / ₄	70	2 ³ / ₄	70	42.3	19.2	6
2x50	4 ¹ / ₈	105	3 ⁹ / ₁₆	90	2 ³ / ₄	70	2 ³ / ₄	70	50.3	22.8	6
2x60	4 ¹ / ₈	105	3 ⁹ / ₁₆	90	2 ³ / ₄	70	2 ³ / ₄	70	56.2	25.5	6
3x25	4 ⁷ / ₁₆	112	3 ⁷ / ₁₆	87	2 ³ / ₄	70	2 ³ / ₄	70	60.0	27.2	6
3x50	4 ¹¹ / ₁₆	119	4 ¹ / ₄	108	2 ³ / ₄	70	2 ³ / ₄	70	97.4	44.2	6
3x70	4 ¹¹ / ₁₆	119	4 ¹ / ₄	108	2 ³ / ₄	70	2 ³ / ₄	70	97.4	44.2	6

Dimensions, weights

Flange dimensions														
Wilo-TOP-S...	Flange	Nominal diameter		Flange dimension pump										Drawing No.
		DN		Ø D		Ø d ₁		Ø d ₂		Ø k		n x d _L		-
		[in]	[mm]	in	[mm]	[in]	[mm]	[in]	[mm]	[in]	[mm]	[units x in]	[units x mm]	-
1.25x15 1.25x25 1.25x35	Non ANSI (oval 90° rotated)	1.25	32	4 ³ / ₄	121	1 ³ / ₈	35	2 ⁷ / ₈	73	3 ¹ / ₂	89	2 x ø 1/2	2 x ø 14	7
1.5x20 1.5x30 1.5x40 1.5x50 1.5x60 1.5x70	Non ANSI (oval)	1.5	40	4 ³ / ₄	121	1 ⁵ / ₈	41	2 ⁷ / ₈	73	3 ¹ / ₂	89	2 x ø 1/2	2 x ø 14	7
2x25 2x35 2x40 2x50 2x60	Non ANSI (round)	2.0	50	5 ¹ / ₄	133	2 ¹ / ₁₆	53	3 ⁷ / ₁₆	87	4	102	4 x ø 1/2	4 x ø 14	8
3x25 3x50 3x70	ANSI R.F. Class 125 ASTMA 126	3.0	80	7 ⁹ / ₁₆	192	3 ¹ / ₄	82	5 ¹ / ₁₆	128	6	152	4 x ø 3/4	4 x ø 19	8