



## TECHNICAL GUIDE

FOR INSTALLATION IN ALL US REGIONS AND CANADA



### LX SERIES SPLIT SYSTEM HEAT PUMPS

**14 SEER – R-410A – 1 PHASE  
1.5 THRU 5 NOMINAL TONS  
MODELS: YEE18 THRU 60**



ISO 9001  
Certified Quality  
Management System



Due to continuous product improvement, specifications are subject to change without notice.

Visit us on the web at

[www.simplygettingthejobdone.com](http://www.simplygettingthejobdone.com) and  
[www.york.com](http://www.york.com)

Additional rating information can be found at  
[www.ahridirectory.org](http://www.ahridirectory.org)

#### WARRANTY SUMMARY\*

Standard 5-year limited parts warranty.

Standard 10-year limited compressor warranty.

**Extended 10-Years limited parts warranty** when product is registered online within 90 days of purchase for replacement or closing for new home construction.

\*Does not apply to R-22 models, 3-Phase models, or Internet sales.

See Limited Warranty certificate in User's Information Manual for details.

## DESCRIPTION

The YEE models are part of our successful LX Series split system heat pump lineup. These outdoor units are optimized for 14 SEER / 8.2 HSPF Minimum Efficiency in all US Regions, and are specifically designed to be matched with YORK® indoor coils, furnaces, and air handlers to provide a complete system solution.

## FEATURES

- **Easier Installation** - Independent panels provide quick access for unit setup. Installation time is reduced by easy power and control wiring access. All models utilize TXV's. The factory installed stainless steel filter-drier and factory charge for a 15-Ft lineset means less time spent brazing and charging the system. The small base dimension and reduced unit clearances make for easier retrofits.
- **Accessible Information** - QR code on unit provides quick access to technical documents and warranty information.
- **Durable Finish** - The coated steel wire fan guard, coated external fasteners, and pre-treated G90-equivalent galvanized steel chassis components resist corrosion and rust creep. Champagne colored powdercoat paint further protects external panels.
- **Rugged Coil Protection** - Coils are protected from mechanical damage by a an extruded louver coil guard.
- **Quality Coils** - Enhanced aluminum fins are mechanically bonded to copper tubing.
- **Protected Compressor** - Compressors are protected internally by a high pressure relief valve and a temperature sensor, and externally by the system high and low pressure switches. The liquid line filter-drier is factory installed to protect the compressor against moisture and debris.
- **Reliable Operation** - Ball bearing fan motors provide superior performance in extreme temperatures.
- **Environmentally Friendly** - CFC-free R-410A refrigerant delivers environmentally friendly performance with zero ozone depletion.
- **Top Discharge** - Warm air is blown up, away from the structure and any landscaping and allows compact location on multi-unit applications.
- **Low Operating Sound Levels** - Developed using CFD and FEA tools, the sturdy cabinet and top design provides sound performance as low as 66 dBA. Compatible accessories for further sound reduction are also available.
- **Better Service Access** - Diagonal base valves with open access for low-loss fittings, single panel access to the electrical controls, full corner access, and removable fan guard allow easy access for unit maintenance.
- **Agency Listed** - Safety certified by CSA to the 4th Edition of UL 1995 / CSA 22.2. Performance certified to ANSI/AHRI Standard 210/240 in accordance with the Unitary Small Equipment certification program.

**LIST OF SECTIONS**

**DESCRIPTION** ..... 1  
**FEATURES** ..... 1  
**NOMENCLATURE** ..... 2  
**PHYSICAL AND ELECTRICAL DATA** ..... 3  
**DIMENSIONS** ..... 3  
**SYSTEM CHARGE FOR VARIOUS MATCHED SYSTEMS** ..... 4  
**SYSTEM CAPACITY - Single Piece and Modular Air Handlers** .. 5  
**SYSTEM CAPACITY - With High Efficiency Motor Furnaces** .... 7  
**APPLICATION & ACCESSORIES** .....21  
**SOUND POWER RATINGS - COOLING** .....21  
**SOUND POWER RATINGS - HEATING** .....21  
**MECHANICAL SPECIFICATIONS** ..... 22  
**TYPICAL INSTALLATION** ..... 23  
**TYPICAL FIELD WIRING** ..... 24  
**ALTERNATIVE INSTALLATION CLEARANCES** ..... 24  
**PERFORMANCE DATA - 1.5 TON** ..... 25  
**PERFORMANCE DATA - 2 TON** ..... 27  
**PERFORMANCE DATA - 2.5 TON** ..... 30  
**PERFORMANCE DATA - 3 TON** ..... 34  
**PERFORMANCE DATA - 3.5 TON** ..... 38  
**PERFORMANCE DATA - 4 TON** ..... 42  
**PERFORMANCE DATA - 5 TON** ..... 46

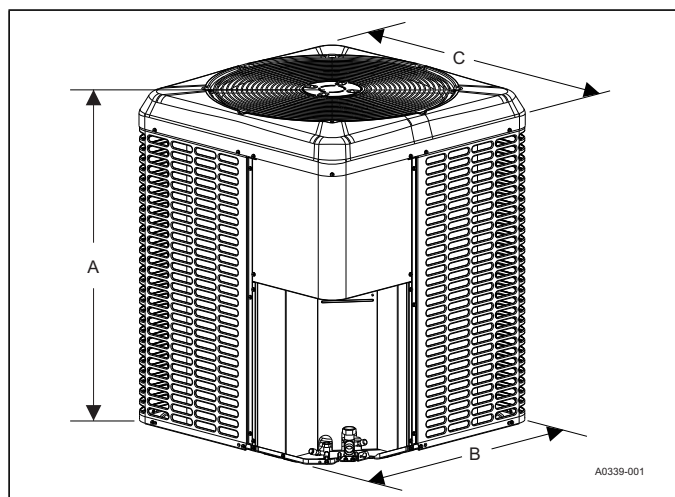
**NOMENCLATURE**

<b>BRAND</b>	<b>Y</b>	Y = York
<b>PRODUCT TYPE</b>	<b>E</b>	E = ECM matched HP
<b>NOMINAL SERIES EFFICIENCY AND STAGING</b>	<b>E</b>	E = 14 SEER / 1-Stage
<b>NOMINAL UNIT CAPACITY (MBH)</b>	<b>36</b>	18 = 1.5 Ton      42 = 3.5 Ton 24 = 2 Ton      48 = 4 Ton 30 = 2.5 Ton      60 = 5 Ton 36 = 3 Ton
<b>REFRIGERANT</b>	<b>B</b>	B = R-410A
<b>VOLTAGE (Voltage-Phase-Hertz)</b>	<b>2</b>	2 = 208/230-1-60
<b>GENERATION (MAJOR REVISION)</b>	<b>1</b>	1 = 1st Gen 2 = 2nd Gen etc
<b>FACTORY OPTION</b>	<b>S</b>	S = Standard (No Options)
<b>STYLE LETTER (MINOR REVISION) NOT USED FOR ORDERING</b>	<b>A</b>	A = Style A B = Style B etc

## PHYSICAL AND ELECTRICAL DATA

MODEL	YEE18B21S	YEE24B21S	YEE30B21S	YEE36B21S	YEE42B21S	YEE48B21S	YEE60B21S
Unit Supply Voltage	208-230V, 1 $\phi$ , 60Hz						
Normal Voltage Range <sup>1</sup>	187 to 252						
Minimum Circuit Ampacity	10.2	14.1	16.4	19.6	23.5	24.5	29.1
Max. Overcurrent Device Amps <sup>2</sup>	15	20	25	30	45	45	50
Min. Overcurrent Device Amps <sup>3</sup>	15	15	20	20	25	25	30
Compressor Type	Scroll	Scroll	Scroll	Scroll	Scroll	Scroll	Scroll
Compressor Amps	Rated Load	7.7	10.8	12.3	14.7	17.7	22.2
	Locked Rotor	48.0	55.0	63.0	75.0	112.3	127.9
Crankcase Heater	No	No	No	Yes	No	No	Yes
Factory External Discharge Muffler	Yes	Yes	Yes	Yes	Yes	Yes	Yes
HS Kit Required with TXV	No	No	No	No	No	No	No
HS Kit Part Number (S1-2SA067*****) <sup>4</sup>	10106	10106	10106	10106	07006	07006	07006
Fan Diameter Inches	18	18	22	24	24	26	26
Fan Motor	Type	PSC	PSC	PSC	PSC	PSC	PSC
	Rated HP	1/12	1/12	1/8	1/4	1/4	1/4
	Rated Load Amps	0.64	0.64	0.8	1.3	1.3	1.3
	Nominal RPM	1000	1000	1075	850	850	850
	Nominal CFM	2000	2000	3200	4100	4100	4800
Coil	Face Area Sq. Ft.	10.2	13.1	17.9	21.7	21.7	31.2
	Rows Deep	1	1	1	1	1	1
	Fins / Inch	18	22	22	22	22	22
Liquid Line Set OD (Field Installed)	3/8	3/8	3/8	3/8	3/8	3/8	3/8
Vapor Line Set OD (Field Installed) <sup>5</sup>	3/4	3/4	3/4	3/4	7/8	7/8	7/8 or 1-1/8 <sup>‡</sup>
Unit Charge (Lbs. - Oz.) <sup>6</sup>	4 - 10	5 - 5	7-10	8 - 10	9 - 9	8 - 5	12 - 1
Charge Per Foot, Oz.	0.62	0.62	0.62	0.62	0.67	0.67	0.67 or 0.75 <sup>‡</sup>
Operating Weight Lbs.	122	131	165	191	210	224	249

1. Rated in accordance with AHRI Standard 110-2012, utilization range "A".
  2. Dual element fuses or HACR circuit breaker. Maximum allowable overcurrent protection.
  3. Dual element fuses or HACR circuit breaker. Minimum recommended overcurrent protection.
  4. Use S1-2SA067\*\*\*\* series kit. See Hard Start Kit Accessory Installation Manual.
  5. For applications with non-standard vapor line sizes, see the "Applications & Accessories" section of this Technical Guide.
  6. The Unit Charge is correct for the outdoor unit, smallest matched indoor unit, and 15 feet of refrigerant tubing. For tubing lengths other than 15 feet, add or subtract the amount of refrigerant, using the difference in actual lineset length (not the equivalent length) multiplied by the per foot value.
- ‡ Adapter fitting must be field installed for the optional 1-1/8" line set.



## DIMENSIONS

Unit Model	Dimensions (Inches)			Refrigerant Connection Service Valve Size	
	A	B	C	Liquid	Vapor
YEE18B21S	26-3/4	24	24	3/8	3/4
YEE24B21S	33-1/4	24	24		
YEE30B21S	36-1/4	29-1/4	29-1/4		
YEE36B21S	36-1/4	35-1/4	31-3/4		7/8
YEE42B21S	36-1/4	35-1/4	31-3/4		
YEE48B21S	39-1/2	38	34-1/4		7/8 <sup>‡</sup>
YEE60B21S	42-3/4	38	34-1/4		

‡ Adapter fitting must be field installed for the optional 1-1/8" line set.  
 All dimensions are in inches and are subject to change without notice.  
 Overall height is from bottom of base pan to top of fan guard.  
 Overall length and width include screw heads.

**SYSTEM CHARGE FOR VARIOUS MATCHED SYSTEMS**

Outdoor Unit	YEE18B21S	YEE24B21S	YEE30B21S	YEE36B21S	YEE42B21S	YEE48B21S	YEE60B21S
Required TXV <sup>1,2</sup>	BA1	BA1	BA1	BA1	BC1	BC1	BC1
Defrost Jumper Pin Setting	2	2	2	2	2	2	2
Indoor Unit <sup>3,4,5</sup>	Additional Charge, oz						
AE18B	0	-	-	-	-	-	-
AE24B	-	0	-	-	-	-	-
AE30B	-	-	0	-	-	-	-
AE36(B,C)	-	-	-	0	-	-	-
AE42C	-	-	-	-	0	-	-
AE43C	-	-	-	-	-	-	-
AE48(C,D)	-	-	-	-	0	0	-
AE60C	-	-	-	-	-	-	-
AE60D	-	-	-	-	-	-	0
AVC18B	0	-	-	-	-	-	-
AVC24B	-	0	-	-	-	-	-
AVC30B	-	-	0	-	-	-	-
AVC36(B,C)	-	-	-	0	-	-	-
AVC42C	-	-	-	-	0	-	-
AVC48(C,D)	-	-	-	-	0	0	-
AVC49C	-	-	-	-	-	-	-
AVC60C	-	-	-	-	-	-	-
AVC60D	-	-	-	-	-	-	0
CF/CM/CU18(A,B)	0	-	-	-	-	-	-
CF/CM/CU24(B,C)	-	0	-	-	-	-	-
CF/CM/CU30(A,B,C)	-	-	0	-	-	-	-
CF/CM/CU36(B,C,D)	-	-	-	0	-	-	-
CF/CM/CU42(B,C,D)	-	-	-	-	-	-	-
CF/CM/CU48(C,D)	-	-	-	-	0	0	-
CF/CM/CU60(C,D)	-	-	-	-	-	-	-
CF/CM64D	-	-	-	-	-	-	0

Some of the combinations shown in the above System Charge table require Advanced Main Air Circulating Fan indoor product. For approved coil only matches, please see the "COOLING CAPACITY - Upflow, Downflow & Horizontal Furnaces and Coils" table.

**FOOTNOTES:**

1. For applications requiring a TXV, use S1-1TVM\*\*\* series kit.
2. A TXV kit must be used with these indoor units to obtain system performance.
3. Systems matched with furnaces or air handlers not equipped with blower-off delays may require 60 second time delay.
4. CF coils cannot be used in horizontal applications.
5. Charge adders shown above do not indicate that coils are rated for every application. Refer to Performance Data Tables for actual performance for specified system matches. Obtain certified system ratings from [www.ahridirectory.org](http://www.ahridirectory.org).

**CHARGING PROCEDURES:**

1. Check the Factory Unit Charge listed on the unit nameplate to verify the refrigerant charge for the outdoor unit, the smallest matched indoor unit, and the 15 feet of interconnecting lineset.
2. Verify the indoor metering device and additional charge required for the specific matched indoor unit in the system using the above table.
3. Add additional charge for the amount of interconnecting lineset tubing greater than 15 feet at the rate specified in Physical and Electrical Data Table.
4. For installations requiring additional charge, weigh in refrigerant for the specific matching indoor unit and actual lineset length.
5. Once the charge adders for matched indoor unit and for lineset have been weighed in, verify the system operation against the temperatures and pressures in the Charging Chart for the outdoor unit. Locate Charging Charts on the outdoor unit and also in the Service Data Application Guide on [www.simplygettingthejobdone.com](http://www.simplygettingthejobdone.com). Follow the Subcool or Superheat charging procedure in the Installation Manual according to the type of indoor metering device in the system, and allow ten minutes after each charge adjustment for the system operation to stabilize. Record the charge adjustment made to match the Charging Chart.
6. For Downflow and Horizontal-Right Installations, some indoor units require additional charging adjustments to ensure proper equipment operation. Refer to the outdoor unit installation manual.
7. Permanently stamp the unit nameplate with the TOTAL SYSTEM CHARGE defined as follows: TOTAL SYSTEM CHARGE = Base Charge (as shipped) + charge adder for matched indoor unit + charge adder for actual lineset length + charge adjustments to match the Charging Chart.

**SYSTEM CAPACITY - Single Piece and Modular Air Handlers**

UNIT MODEL	AIR HANDLER		COIL MODEL <sup>3</sup>	RATED CFM	COOLING <sup>1</sup>				HEATING <sup>2</sup>					
	MODEL	WIDTH			NET MBH		SEER	EER	NET MBH		HSPF Region IV	HSPF Region V	COP	
					TOTAL	SENS.			47°F OD	17°F OD			47°F OD	17°F OD
YEE18B21S	AE18BX21	17.5	--	650	18.6	13.8	14.00	12.00	16.0	9.9	8.55	7.35	3.50	2.30
YEE18B21S	AVC18BX21	17.5	--	700	18.7	14.4	14.00	12.00	16.0	9.8	8.55	7.15	3.60	2.30
YEE18B21S	ME12BN21	17.5	CF/CM18B	675	18.6	14.2	14.00	12.00	15.9	9.4	8.20	6.75	3.58	2.24
YEE24B21S	AE24BX21	17.5	--	875	25.0	18.5	14.00	12.00	22.2	14.1	9.00	7.90	3.68	2.52
YEE24B21S	AVC24BX21	17.5	--	750	23.6	17.0	14.00	11.50	22.2	14.2	9.00	7.50	3.62	2.52
YEE24B21S	ME08BN21	17.5	CF/CM24B	900	24.2	18.6	14.00	11.50	22.4	14.4	8.55	6.45	3.74	2.56
YEE24B21S	ME12BN21	17.5	CF/CM24B	875	24.2	18.4	14.00	11.75	22.6	14.3	8.55	6.45	3.76	2.58
YEE24B21S	MVC12BN21	17.5	CF/CM24B	875	24.2	18.4	14.00	11.50	22.4	14.3	9.00	7.40	3.76	2.56
YEE30B21S	AE30BX21	17.5	--	1000	29.0	21.5	14.00	12.30	28.0	17.6	9.00	7.80	3.54	2.44
YEE30B21S	AVC30BX21	17.5	--	900	28.4	19.1	14.00	12.50	27.6	17.3	8.55	4.45	3.50	2.44
YEE30B21S	ME12BN21	17.5	CF/CM30B	1050	29.0	19.4	14.00	12.50	28.0	17.6	9.00	6.15	3.66	2.52
YEE30B21S	ME12CN21	21.0	CF/CM30C	1000	28.8	19.3	14.00	12.75	27.6	17.4	9.00	6.30	3.64	2.52
YEE30B21S	ME16CN21	21.0	CF/CM30C	1100	29.2	19.5	14.00	12.75	28.0	17.6	9.00	5.70	3.74	2.56
YEE30B21S	MVC12BN21	17.5	CF/CM30B	1175	29.4	19.6	14.00	12.25	28.4	18.0	9.50	7.35	3.76	2.56
YEE30B21S	MVC12CN21	21.0	CF/CM30C	1175	29.6	19.8	14.00	12.75	28.0	17.7	9.50	6.85	3.86	2.62
YEE30B21S	MVC16CN21	21.0	CF/CM30C	1150	29.6	19.9	14.00	12.75	28.0	17.7	9.50	7.00	3.82	2.60
YEE36B21S	AE36BX21	17.5	--	1250	35.0	26.0	14.00	12.00	34.0	21.0	8.55	7.30	3.40	2.26
YEE36B21S	AE36CX21	21.0	--	1175	34.2	24.8	14.00	12.00	33.8	21.0	8.20	6.40	3.40	2.30
YEE36B21S	AVC36BX21	17.5	--	1200	34.2	24.9	14.00	11.75	34.2	21.2	8.20	6.45	3.36	2.26
YEE36B21S	AVC36CX21	21.0	--	1175	34.4	25.0	14.00	12.00	33.8	21.0	8.55	7.00	3.42	2.30
YEE36B21S	ME12BN21	17.5	CF/CM36B	1225	34.2	25.0	14.00	11.75	34.2	21.4	8.20	6.40	3.38	2.28
YEE36B21S	ME12CN21	21.0	CF/CM36C	1225	34.6	25.4	14.00	12.00	34.0	21.0	8.55	6.95	3.44	2.32
YEE36B21S	ME16CN21	21.0	CF/CM36C	1100	34.0	24.3	14.00	12.00	33.6	20.8	8.20	6.50	3.36	2.28
YEE36B21S	MVC12BN21	17.5	CF/CM36B	1175	34.2	24.8	14.00	11.75	34.0	21.2	8.20	6.45	3.36	2.28
YEE36B21S	MVC12CN21	21.0	CF/CM36C	1175	34.4	25.0	14.00	12.25	33.8	20.8	8.55	7.00	3.42	2.30
YEE36B21S	MVC16CN21	21.0	CF/CM36C	1150	34.2	24.7	14.00	12.25	33.6	20.8	8.20	6.40	3.40	2.30
YEE42B21S	AE42CX21	21.0	--	1450	41.0	31.0	14.00	12.00	39.0	24.0	8.20	7.50	3.52	2.34
YEE42B21S	AE48CX21	21.0	--	1425	42.5	34.5	14.00	12.50	38.0	22.6	8.20	6.85	3.40	2.22
YEE42B21S	AE48DX21	24.5	--	1475	43.0	35.4	14.00	12.75	38.0	22.6	8.20	6.80	3.48	2.24
YEE42B21S	AVC42CX21	21.0	--	1325	42.0	33.3	14.00	12.25	38.0	22.4	8.20	6.90	3.32	2.16
YEE42B21S	AVC48CX21	21.0	--	1275	42.0	32.9	14.00	12.25	37.8	22.2	8.20	6.90	3.32	2.16
YEE42B21S	AVC48DX21	24.5	--	1300	42.0	33.1	14.00	12.50	37.8	22.2	8.20	6.85	3.36	2.18
YEE42B21S	ME12CN21	21.0	CF/CM48C	1300	42.0	33.1	14.00	12.25	38.0	22.4	8.20	6.85	3.32	2.16
YEE42B21S	ME14DN21	24.5	CF/CM48D	1500	43.0	35.6	14.00	12.50	38.5	22.8	8.20	6.80	3.44	2.22
YEE42B21S	ME16CN21	21.0	CF/CM48C	1325	42.0	33.3	14.00	12.25	38.0	22.4	8.20	6.90	3.32	2.16
YEE42B21S	ME20DN21	24.5	CF/CM48D	1525	43.5	36.3	14.00	12.75	38.5	22.6	8.20	6.80	3.50	2.26

**SYSTEM CAPACITY - Single Piece and Modular Air Handlers**

UNIT MODEL	AIR HANDLER		COIL MODEL <sup>3</sup>	RATED CFM	COOLING <sup>1</sup>				HEATING <sup>2</sup>					
	MODEL	WIDTH			NET MBH		SEER	EER	NET MBH		HSPF Region IV	HSPF Region V	COP	
					TOTAL	SENS.			47°F OD	17°F OD			47°F OD	17°F OD
YEE42B21S	MVC14DN21	24.5	CF/CM48D	1350	42.5	33.9	14.00	12.75	37.8	22.2	8.20	6.85	3.40	2.22
YEE42B21S	MVC16CN21	21.0	CF/CM48C	1275	42.0	32.9	14.00	12.50	37.6	22.0	8.20	6.90	3.34	2.18
YEE42B21S	MVC20DN21	24.5	CF/CM48D	1300	42.0	33.1	14.00	12.75	37.6	22.0	8.20	6.85	3.38	2.20
YEE48B21S	AE48CX21	24.5	—	1425	46.5	32.9	14.00	12.00	45.5	29.8	9.00	8.10	3.58	2.56
YEE48B21S	AE48DBC21	24.5	—	1225	45.5	29.7	14.00	12.25	46.0	28.4	9.00	7.55	3.68	2.56
YEE48B21S	AE48DX21	24.5	—	1225	45.5	29.7	14.00	12.25	46.0	28.4	9.00	7.55	3.68	2.56
YEE48B21S	AVC48CX21	21.0	—	1200	45.5	29.6	14.00	12.00	46.0	28.6	9.00	7.60	3.60	2.52
YEE48B21S	AVC48DX21	24.5	—	1225	45.5	29.7	14.00	12.25	46.0	28.6	9.00	7.55	3.66	2.54
YEE48B21S	ME16CN21	21.0	CF/CM48C	1325	46.0	30.7	14.00	12.00	46.5	28.8	9.00	7.55	3.68	2.54
YEE48B21S	ME20DN21	24.5	CF/CM48D	1250	45.5	29.8	14.00	12.25	46.0	28.6	9.00	7.55	3.68	2.56
YEE48B21S	MVC14DN21	24.5	CF/CM48D	1200	45.5	29.6	14.00	12.25	45.5	28.4	9.00	7.55	3.66	2.56
YEE48B21S	MVC16CN21	21.0	CF/CM48C	1275	45.5	30.0	14.00	12.25	46.0	28.6	9.00	7.55	3.68	2.56
YEE48B21S	MVC20DN21	24.5	CF/CM48D	1300	46.0	30.6	14.00	12.25	46.0	28.6	9.00	7.50	3.72	2.58
YEE60B21S	AE60DX21	24.5	—	1675	56.5	39.6	14.00	12.00	56.0	34.6	9.00	7.90	3.70	2.60
YEE60B21S	AVC60DX21	24.5	—	1500	55.5	37.3	14.00	12.00	55.5	35.8	9.00	7.65	3.72	2.68
YEE60B21S	ME20DN21	24.5	CF/CM64DXA1	1675	56.5	39.2	14.00	12.00	55.5	35.8	9.00	7.40	3.84	2.74
YEE60B21S	MVC20DN21	24.5	CF/CM64DXA1	1650	56.5	39.1	14.00	12.00	55.5	35.8	9.00	7.40	3.84	2.74

Rated in accordance with DOE test procedures (Federal Register 12-27-79 and 3-18-88) and ANSI/AHRI Standard 210/240.

1. Cooling MBH based on 80°F entering air temperature, 50% RH (Relative Humidity), and rated air flow.

EER (Energy Efficiency Ratio) is the total cooling output in BTUs at 95°F outdoor ambient divided by the total electric power in watt-hours at those conditions.

SEER (Seasonal Energy Efficiency Ratio) is the total cooling output in BTUs during a normal annual usage period for cooling divided by the total electric power input in watt-hours during the same period.

2. Heating MBH based on AHRI standards of 70°F DB (Dry Bulb) entering indoor air, 72% RH (Relative Humidity) outdoor air with 25 feet of interconnecting piping and no supplemental electric heat operation.

HSPF (Heating Seasonal Performance Factor) is the total heating output during a normal annual usage period for heating divided by the total electric power input during the same period.

COP (Coefficient of Performance) equals Heating MBH output divided by (total KW input x 3.412).

3. CM coils available with a factory installed horizontal drain pan. See price pages for specific model number.

— = Not applicable.

\* Notates "Hot Heat Pump" performance. These ratings are not AHRI listed.

MP Modular Air Handlers use Coil Only Ratings.

SYSTEM CAPACITY - With High Efficiency Motor Furnaces<sup>1</sup>

UNIT MODEL	FURNACE		COIL MODEL <sup>2</sup>	COOLING					HEATING					
	MODEL	WIDTH		RATED CFM	NET MBH		SEER	EER	NET MBH		HSPF Region IV	HSPF Region V	COP	
					TOTAL	SENS.			47°F OD	17°F OD			47°F OD	17°F OD
YEE18B21S	TL8E060A12UH11	14.5	CF/CM/CU18B	700	18.7	14.4	14.00	12.00	16.1	9.8	8.20	6.80	3.56	2.28
YEE18B21S	TL9E060B12UH11	17.5	CF/CM/CU18B	675	18.5	14.1	14.00	12.00	16.0	9.6	8.20	6.80	3.50	2.20
YEE18B21S	TM8E040A12MP11	14.5	CF/CM/CU18B	675	18.6	14.2	14.00	12.00	16.0	9.5	8.20	6.80	3.52	2.22
YEE18B21S	TM8E040A12MP11	14.5	CF/CM18A	725	18.7	14.5	14.00	12.00	16.2	10.2	8.55	7.15	3.58	2.32
YEE18B21S	TM8E060A12MP11	14.5	CF/CM18A	725	18.7	14.5	14.00	12.00	16.2	10.2	8.55	7.15	3.58	2.32
YEE18B21S	TM8E080B12MP11	17.5	CF/CM/CU18B	725	18.8	14.6	14.00	12.00	16.2	10.1	8.55	7.20	3.60	2.34
YEE18B21S	TM8E100B12MP11	17.5	CF/CM/CU18B	700	18.7	14.4	14.00	12.00	16.1	9.8	8.20	6.80	3.56	2.28
YEE18B21S	TM8V060A12MP12C	14.5	CF/CM/CU18B	700	18.7	14.4	14.00	12.00	16.1	9.8	8.20	6.80	3.58	2.28
YEE18B21S	TM8V060A12MP12C	14.5	CF/CM18A	725	18.7	14.5	14.00	12.00	16.2	10.2	8.55	7.20	3.58	2.32
YEE18B21S	TM8V080B12MP12C	17.5	CF/CM/CU18B	675	18.5	14.1	14.00	12.00	16.0	9.6	8.20	6.80	3.50	2.20
YEE18B21S	TM8X060A12MP11	14.5	CF/CM/CU18B	725	18.7	14.5	14.00	12.00	16.2	10.2	8.55	7.15	3.58	2.32
YEE18B21S	TM8X060A12MP11	14.5	CF/CM18A	700	18.6	14.3	14.00	12.00	16.1	9.9	8.20	6.85	3.52	2.26
YEE18B21S	TM8X080B12MP11	17.5	CF/CM/CU18B	675	18.6	14.2	14.00	12.00	16.0	9.5	8.20	6.75	3.54	2.22
YEE18B21S	TM8Y060A12MP11	14.5	CF/CM/CU18B	725	18.7	14.5	14.00	12.00	16.2	10.2	8.55	7.15	3.58	2.32
YEE18B21S	TM8Y060A12MP11	14.5	CF/CM18A	700	18.6	14.3	14.00	12.00	16.1	9.9	8.20	6.85	3.52	2.26
YEE18B21S	TM8Y080B12MP11	17.5	CF/CM/CU18B	675	18.6	14.2	14.00	12.00	16.0	9.5	8.20	6.75	3.54	2.22
YEE18B21S	TM9E040A10MP12	14.5	CF/CM/CU18B	675	18.4	14.0	14.00	11.75	16.4	9.7	8.20	7.00	3.44	2.18
YEE18B21S	TM9E060A10MP12	14.5	CF/CM/CU18B	700	18.6	14.3	14.00	12.00	16.1	9.9	8.20	6.85	3.52	2.26
YEE18B21S	TM9E060A10MP12	14.5	CF/CM18A	675	18.4	14.0	14.00	11.75	16.4	9.6	8.20	7.05	3.46	2.18
YEE18B21S	TM9E060B12MP11	17.5	CF/CM/CU18B	675	18.5	14.1	14.00	12.00	16.0	9.6	8.20	6.80	3.50	2.20
YEE18B21S	TM9E080B12MP11	17.5	CF/CM/CU18B	700	18.7	14.4	14.00	12.00	16.1	9.8	8.20	6.80	3.56	2.28
YEE18B21S	TM9V060B12MP12C	17.5	CF/CM/CU18B	700	18.6	14.3	14.00	12.00	16.1	9.9	8.20	6.80	3.54	2.26
YEE18B21S	TM9V080B12MP12C	17.5	CF/CM/CU18B	725	18.7	14.5	14.00	12.00	16.2	10.1	8.55	7.20	3.60	2.34
YEE18B21S	TM9Y060B12MP11	17.5	CF/CM/CU18B	675	18.5	14.1	14.00	12.00	16.0	9.6	8.20	6.80	3.50	2.20
YEE18B21S	TM9Y080B12MP11	17.5	CF/CM/CU18B	700	18.7	14.4	14.00	12.00	16.1	9.8	8.20	6.80	3.56	2.28
YEE18B21S	TMLE040A12MP11	14.5	CF/CM/CU18B	675	18.6	14.2	14.00	12.00	16.0	9.5	8.20	6.80	3.52	2.22
YEE18B21S	TMLE040A12MP11	14.5	CF/CM18A	725	18.7	14.5	14.00	12.00	16.2	10.2	8.55	7.15	3.58	2.32
YEE18B21S	TMLE060A12MP11	14.5	CF/CM18A	725	18.7	14.5	14.00	12.00	16.2	10.2	8.55	7.15	3.58	2.32
YEE18B21S	TMLE080B12MP11	17.5	CF/CM/CU18B	725	18.8	14.6	14.00	12.00	16.2	10.1	8.55	7.20	3.60	2.34
YEE18B21S	TMLE100B12MP11	17.5	CF/CM/CU18B	700	18.7	14.4	14.00	12.00	16.1	9.8	8.20	6.80	3.56	2.28
YEE18B21S	TMLV060A12MP12C	14.5	CF/CM/CU18B	700	18.7	14.4	14.00	12.00	16.1	9.8	8.20	6.80	3.58	2.28
YEE18B21S	TMLV060A12MP12C	14.5	CF/CM18A	725	18.7	14.5	14.00	12.00	16.2	10.2	8.55	7.20	3.58	2.32
YEE18B21S	TMLX060A12MP11	14.5	CF/CM/CU18B	725	18.7	14.5	14.00	12.00	16.2	10.2	8.55	7.15	3.58	2.32
YEE18B21S	TMLX060A12MP11	14.5	CF/CM18A	700	18.6	14.3	14.00	12.00	16.1	9.9	8.20	6.85	3.52	2.26
YEE18B21S	TMLX080B12MP11	17.5	CF/CM/CU18B	675	18.6	14.2	14.00	12.00	16.0	9.5	8.20	6.75	3.54	2.22
YEE18B21S	TP9C060B12MP13C	17.5	CF/CM/CU18B	700	18.6	14.3	14.00	12.00	16.1	9.9	8.20	6.80	3.54	2.26

**SYSTEM CAPACITY - With High Efficiency Motor Furnaces<sup>1</sup>**

UNIT MODEL	FURNACE		COIL MODEL <sup>2</sup>	COOLING					HEATING					
	MODEL	WIDTH		RATED CFM	NET MBH		SEER	EER	NET MBH		HSPF Region IV	HSPF Region V	COP	
					TOTAL	SENS.			47°F OD	17°F OD			47°F OD	17°F OD
YEE18B21S	TP9C080B12MP13C	17.5	CF/CM/CU18B	725	18.7	14.5	14.00	12.00	16.2	10.1	8.55	7.20	3.60	2.34
YEE18B21S	TPLC060A12MP13C	14.5	CF/CM/CU18B	700	18.7	14.4	14.00	12.00	16.1	9.8	8.20	6.80	3.58	2.28
YEE18B21S	TPLC060A12MP13C	14.5	CF/CM18A	725	18.7	14.5	14.00	12.00	16.2	10.2	8.55	7.20	3.58	2.32
YEE18B21S	TPLC080B12MP13C	17.5	CF/CM/CU18B	675	18.5	14.1	14.00	12.00	16.0	9.6	8.20	6.80	3.50	2.20
YEE18B21S	YP9C060B12MP13C	17.5	CF/CM/CU18B	700	18.6	14.3	14.00	12.00	16.1	9.9	8.20	6.80	3.54	2.26
YEE18B21S	YP9C080B12MP13C	17.5	CF/CM/CU18B	725	18.7	14.5	14.00	12.00	16.2	10.1	8.55	7.20	3.60	2.34
YEE18B21S	YPLC060A12MP13C	14.5	CF/CM/CU18B	700	18.7	14.4	14.00	12.00	16.1	9.8	8.20	6.80	3.58	2.28
YEE18B21S	YPLC060A12MP13C	14.5	CF/CM18A	725	18.7	14.5	14.00	12.00	16.2	10.2	8.55	7.20	3.58	2.32
YEE18B21S	YPLC080B12MP13C	17.5	CF/CM/CU18B	675	18.5	14.1	14.00	12.00	16.0	9.6	8.20	6.80	3.50	2.20
YEE24B21S	TL8E060A12UH11	14.5	CF/CM/CU24B	700	23.4	16.5	14.00	11.25	22.2	14.2	8.55	6.45	3.54	2.48
YEE24B21S	TM8E040A12MP11	14.5	CF/CM/CU24B	775	23.8	17.4	14.00	11.50	22.4	14.2	8.55	6.00	3.62	2.52
YEE24B21S	TM8E060A12MP11	14.5	CF/CM/CU24B	750	23.6	17.0	14.00	11.25	22.4	14.2	8.55	6.35	3.58	2.50
YEE24B21S	TM8E080B12MP11	17.5	CF/CM/CU24B	725	23.4	16.6	14.00	11.25	22.2	14.2	8.55	6.35	3.56	2.48
YEE24B21S	TM8E100B12MP11	17.5	CF/CM/CU24B	725	23.6	16.8	14.00	11.25	22.2	14.2	8.55	6.40	3.58	2.50
YEE24B21S	TM8V060A12MP12C	14.5	CF/CM/CU24B	700	23.4	16.5	14.00	11.25	22.4	14.2	8.55	6.45	3.56	2.48
YEE24B21S	TM8X080B12MP11	17.5	CF/CM/CU24B	675	23.2	16.1	14.00	11.25	22.2	14.1	8.55	5.95	3.52	2.48
YEE24B21S	TM8Y080B12MP11	17.5	CF/CM/CU24B	675	23.2	16.1	14.00	11.25	22.2	14.1	8.55	5.95	3.52	2.48
YEE24B21S	TM9E080B12MP11	17.5	CF/CM/CU24B	700	23.4	16.5	14.00	11.25	22.2	14.2	8.55	6.10	3.54	2.48
YEE24B21S	TM9Y080B12MP11	17.5	CF/CM/CU24B	700	23.4	16.5	14.00	11.25	22.2	14.2	8.55	6.10	3.54	2.48
YEE24B21S	TMLE040A12MP11	14.5	CF/CM/CU24B	775	23.8	17.4	14.00	11.50	22.4	14.2	8.55	6.00	3.62	2.52
YEE24B21S	TMLE060A12MP11	14.5	CF/CM/CU24B	750	23.6	17.0	14.00	11.25	22.4	14.2	8.55	6.35	3.58	2.50
YEE24B21S	TMLE080B12MP11	17.5	CF/CM/CU24B	725	23.4	16.6	14.00	11.25	22.2	14.2	8.55	6.35	3.56	2.48
YEE24B21S	TMLE100B12MP11	17.5	CF/CM/CU24B	725	23.6	16.8	14.00	11.25	22.2	14.2	8.55	6.40	3.58	2.50
YEE24B21S	TMLV060A12MP12C	14.5	CF/CM/CU24B	700	23.4	16.5	14.00	11.25	22.4	14.2	8.55	6.45	3.56	2.48
YEE24B21S	TMLX080B12MP11	17.5	CF/CM/CU24B	675	23.2	16.1	14.00	11.25	22.2	14.1	8.55	5.95	3.52	2.48
YEE24B21S	TPLC060A12MP13C	14.5	CF/CM/CU24B	700	23.4	16.5	14.00	11.25	22.4	14.2	8.55	6.45	3.56	2.48
YEE24B21S	YPLC060A12MP13C	14.5	CF/CM/CU24B	700	23.4	16.5	14.00	11.25	22.4	14.2	8.55	6.45	3.56	2.48
YEE30B21S	TL8E060A12UH11	14.5	CF/CM/CU30B	1050	28.8	19.2	14.00	12.00	28.2	17.8	9.00	6.70	3.58	2.46
YEE30B21S	TL8E060A12UH11	14.5	CF/CM30C	875	28.2	18.9	14.00	12.25	27.6	17.3	8.55	4.80	3.44	2.42
YEE30B21S	TL8E080C16UH11	21.0	CF/CM30C	925	28.4	19.0	14.00	12.50	27.6	17.4	8.55	4.30	3.52	2.46
YEE30B21S	TL8E100C20UH11	21.0	CF/CM30C	1050	29.0	19.4	14.00	12.75	27.8	17.5	9.00	6.00	3.68	2.54
YEE30B21S	TL9E060B12UH11	17.5	CF/CM/CU30B	850	28.0	18.8	14.00	12.00	27.6	17.4	8.55	5.15	3.38	2.38
YEE30B21S	TL9E060B12UH11	17.5	CF/CM30C	850	28.0	18.8	14.00	12.00	27.6	17.4	8.55	5.15	3.40	2.38
YEE30B21S	TL9E080C16UH11	21.0	CF/CM30C	900	28.4	19.1	14.00	12.50	27.6	17.3	8.55	4.45	3.50	2.44
YEE30B21S	TL9E100C20UH11	21.0	CF/CM30C	1125	29.4	19.7	14.00	12.50	28.2	17.8	9.00	5.50	3.74	2.56
YEE30B21S	TM8E040A12MP11	14.5	CF/CM/CU30A	800	27.8	18.7	14.00	12.00	27.4	17.3	8.55	5.45	3.34	2.36
YEE30B21S	TM8E040A12MP11	14.5	CF/CM/CU30B	750	27.6	18.6	14.00	12.50	27.2	17.0	8.55	5.45	3.34	2.36



**SYSTEM CAPACITY - With High Efficiency Motor Furnaces<sup>1</sup>**

UNIT MODEL	FURNACE		COIL MODEL <sup>2</sup>	COOLING					HEATING					
	MODEL	WIDTH		RATED CFM	NET MBH		SEER	EER	NET MBH		HSPF Region IV	HSPF Region V	COP	
					TOTAL	SENS.			47°F OD	17°F OD			47°F OD	17°F OD
YEE30B21S	TM8E060A12MP11	14.5	CF/CM/CU30A	825	27.8	18.6	14.00	12.25	27.4	17.3	8.55	5.30	3.36	2.38
YEE30B21S	TM8E060A12MP11	14.5	CF/CM/CU30B	1025	28.8	19.3	14.00	12.25	28.0	17.7	9.00	6.65	3.56	2.46
YEE30B21S	TM8E080B12MP11	17.5	CF/CM/CU30B	1025	28.6	19.1	14.00	12.00	28.0	17.8	9.00	6.65	3.56	2.46
YEE30B21S	TM8E080B12MP11	17.5	CF/CM30C	1050	28.8	19.2	14.00	12.25	28.0	17.8	9.00	6.50	3.60	2.48
YEE30B21S	TM8E080C16MP11	21.0	CF/CM30C	1100	29.2	19.5	14.00	12.50	28.0	17.7	9.00	5.85	3.70	2.54
YEE30B21S	TM8E100B12MP11	17.5	CF/CM/CU30B	825	28.0	18.8	14.00	12.25	27.4	17.2	8.55	5.15	3.40	2.40
YEE30B21S	TM8E100B12MP11	17.5	CF/CM30C	1100	29.0	19.3	14.00	12.25	28.2	17.9	9.00	6.20	3.64	2.50
YEE30B21S	TM8E100C16MP11	21.0	CF/CM30C	1125	29.2	19.5	14.00	12.50	28.2	17.8	9.00	5.70	3.72	2.54
YEE30B21S	TM8E120C16MP11	21.0	CF/CM30C	1125	29.2	19.5	14.00	12.50	28.2	17.8	9.00	5.70	3.72	2.54
YEE30B21S	TM8V060A12MP12C	14.5	CF/CM/CU30A	800	27.8	18.7	14.00	12.00	27.4	17.2	8.55	5.45	3.34	2.36
YEE30B21S	TM8V060A12MP12C	14.5	CF/CM/CU30B	1050	28.8	19.2	14.00	12.00	28.2	17.9	9.00	6.65	3.58	2.46
YEE30B21S	TM8V080B12MP12C	17.5	CF/CM/CU30B	825	27.8	18.6	14.00	12.00	27.4	17.3	8.55	5.30	3.36	2.38
YEE30B21S	TM8V080B12MP12C	17.5	CF/CM30C	825	27.8	18.6	14.00	12.25	27.4	17.3	8.55	5.10	3.38	2.38
YEE30B21S	TM8V080C16MP12C	21.0	CF/CM30C	1150	29.4	19.7	14.00	12.25	28.2	17.9	9.00	6.00	3.74	2.54
YEE30B21S	TM8V100C16MP12C	21.0	CF/CM30C	1150	29.4	19.7	14.00	12.25	28.2	17.9	9.00	6.00	3.74	2.54
YEE30B21S	TM8V100C20MP12C	21.0	CF/CM30C	1150	29.4	19.7	14.00	12.50	28.2	17.8	9.50	7.35	3.78	2.58
YEE30B21S	TM8V120C20MP12C	21.0	CF/CM30C	1150	29.4	19.7	14.00	12.50	28.2	17.8	9.50	7.35	3.78	2.58
YEE30B21S	TM8X060A12MP11	14.5	CF/CM/CU30A	750	27.6	18.6	14.00	12.00	27.2	17.1	8.20	5.45	3.30	2.34
YEE30B21S	TM8X060A12MP11	14.5	CF/CM/CU30B	775	27.6	18.5	14.00	12.25	27.2	17.1	8.55	5.45	3.34	2.36
YEE30B21S	TM8X080B12MP11	17.5	CF/CM/CU30B	975	28.6	19.2	14.00	12.25	27.8	17.6	9.00	7.00	3.52	2.46
YEE30B21S	TM8X080B12MP11	17.5	CF/CM30C	975	28.6	19.2	14.00	12.25	27.8	17.6	9.00	7.00	3.54	2.46
YEE30B21S	TM8X080C16MP11	21.0	CF/CM30C	1150	29.4	19.7	14.00	12.50	28.2	17.9	9.00	5.50	3.74	2.56
YEE30B21S	TM8X100C16MP11	21.0	CF/CM30C	1150	29.4	19.7	14.00	12.50	28.2	17.9	9.00	5.50	3.74	2.56
YEE30B21S	TM8X100C20MP11	21.0	CF/CM30C	1000	28.8	19.3	14.00	12.75	27.8	17.4	9.00	6.50	3.62	2.50
YEE30B21S	TM8X120C20MP11	21.0	CF/CM30C	1000	28.8	19.3	14.00	12.75	27.8	17.4	9.00	6.50	3.62	2.50
YEE30B21S	TM8Y060A12MP11	14.5	CF/CM/CU30A	750	27.6	18.6	14.00	12.00	27.2	17.1	8.20	5.45	3.30	2.34
YEE30B21S	TM8Y060A12MP11	14.5	CF/CM/CU30B	775	27.6	18.5	14.00	12.25	27.2	17.1	8.55	5.45	3.34	2.36
YEE30B21S	TM8Y080B12MP11	17.5	CF/CM/CU30B	975	28.6	19.2	14.00	12.25	27.8	17.6	9.00	7.00	3.52	2.46
YEE30B21S	TM8Y080B12MP11	17.5	CF/CM30C	975	28.6	19.2	14.00	12.25	27.8	17.6	9.00	7.00	3.54	2.46
YEE30B21S	TM8Y080C16MP11	21.0	CF/CM30C	1150	29.4	19.7	14.00	12.50	28.2	17.9	9.00	5.50	3.74	2.56
YEE30B21S	TM8Y100C16MP11	21.0	CF/CM30C	1150	29.4	19.7	14.00	12.50	28.2	17.9	9.00	5.50	3.74	2.56
YEE30B21S	TM8Y100C20MP11	21.0	CF/CM30C	1000	28.8	19.3	14.00	12.75	27.8	17.4	9.00	6.50	3.62	2.50
YEE30B21S	TM8Y120C20MP11	21.0	CF/CM30C	1000	28.8	19.3	14.00	12.75	27.8	17.4	9.00	6.50	3.62	2.50
YEE30B21S	TM9E040A10MP12	14.5	CF/CM/CU30A	775	27.4	18.3	14.00	11.75	27.6	17.4	8.20	5.60	3.26	2.32
YEE30B21S	TM9E040A10MP12	14.5	CF/CM/CU30B	800	27.6	18.5	14.00	12.00	27.6	17.4	8.55	5.60	3.30	2.34
YEE30B21S	TM9E060A10MP12	14.5	CF/CM/CU30A	775	27.6	18.5	14.00	12.00	27.4	17.3	8.20	5.45	3.30	2.34
YEE30B21S	TM9E060A10MP12	14.5	CF/CM/CU30B	825	27.8	18.6	14.00	12.00	27.6	17.3	8.55	5.30	3.36	2.38

**SYSTEM CAPACITY - With High Efficiency Motor Furnaces<sup>1</sup>**

UNIT MODEL	FURNACE		COIL MODEL <sup>2</sup>	COOLING					HEATING					
	MODEL	WIDTH		RATED CFM	NET MBH		SEER	EER	NET MBH		HSPF Region IV	HSPF Region V	COP	
					TOTAL	SENS.			47°F OD	17°F OD			47°F OD	17°F OD
YEE30B21S	TM9E060B12MP11	17.5	CF/CM/CU30B	850	28.0	18.8	14.00	12.00	27.6	17.4	8.55	5.15	3.38	2.38
YEE30B21S	TM9E060B12MP11	17.5	CF/CM30C	875	28.0	18.7	14.00	12.25	27.6	17.4	8.55	5.00	3.42	2.40
YEE30B21S	TM9E060B12MP12	17.5	CF/CM/CU30B	925	28.2	18.8	14.00	12.00	27.8	17.6	8.55	4.80	3.44	2.40
YEE30B21S	TM9E060B12MP12	17.5	CF/CM30C	950	28.4	19.0	14.00	12.00	27.8	17.6	8.55	4.45	3.48	2.42
YEE30B21S	TM9E080B12MP11	17.5	CF/CM/CU30B	875	28.2	18.9	14.00	12.25	27.6	17.4	8.55	4.80	3.42	2.40
YEE30B21S	TM9E080B12MP11	17.5	CF/CM30C	1000	28.6	19.1	14.00	12.25	28.0	17.7	9.00	6.85	3.54	2.46
YEE30B21S	TM9E080B12MP12	17.5	CF/CM/CU30B	775	27.8	18.7	14.00	12.25	27.2	17.1	8.55	5.45	3.34	2.38
YEE30B21S	TM9E080B12MP12	17.5	CF/CM30C	1075	28.8	19.2	14.00	12.00	28.2	17.9	9.00	6.35	3.60	2.48
YEE30B21S	TM9E080C16MP11	21.0	CF/CM30C	1125	29.2	19.5	14.00	12.25	28.2	18.0	9.00	6.00	3.68	2.52
YEE30B21S	TM9E080C16MP12	21.0	CF/CM30C	1075	29.0	19.4	14.00	12.25	28.2	17.8	9.00	6.15	3.64	2.50
YEE30B21S	TM9E100C16MP11	21.0	CF/CM30C	1150	29.2	19.5	14.00	12.25	28.4	18.0	9.00	5.70	3.72	2.54
YEE30B21S	TM9E100C16MP12	21.0	CF/CM30C	1075	29.0	19.4	14.00	12.25	28.0	17.7	9.00	6.00	3.66	2.52
YEE30B21S	TM9E100C20MP11	21.0	CF/CM30C	1175	29.4	19.6	14.00	12.25	28.4	18.0	9.00	5.55	3.76	2.56
YEE30B21S	TM9E100C20MP12	21.0	CF/CM30C	1200	29.8	19.8	14.00	12.50	28.4	18.0	9.50	7.30	3.82	2.58
YEE30B21S	TM9V040A10MP12C	14.5	CF/CM/CU30A	775	27.4	18.3	14.00	11.75	27.6	17.4	8.20	5.60	3.26	2.32
YEE30B21S	TM9V040A10MP12C	14.5	CF/CM/CU30B	775	27.6	18.5	14.00	12.00	27.4	17.3	8.20	5.45	3.28	2.34
YEE30B21S	TM9V060B12MP12C	17.5	CF/CM/CU30B	875	28.0	18.7	14.00	12.00	27.6	17.4	8.55	4.95	3.40	2.40
YEE30B21S	TM9V060B12MP12C	17.5	CF/CM30C	875	28.0	18.7	14.00	12.25	27.6	17.4	8.55	5.00	3.42	2.40
YEE30B21S	TM9V080B12MP12C	17.5	CF/CM/CU30B	1050	28.6	19.0	14.00	12.00	28.2	17.9	9.00	6.65	3.56	2.46
YEE30B21S	TM9V080B12MP12C	17.5	CF/CM30C	1050	28.8	19.2	14.00	12.00	28.2	17.8	9.00	6.50	3.58	2.48
YEE30B21S	TM9V080C16MP12C	21.0	CF/CM30C	1100	29.0	19.3	14.00	12.25	28.2	17.9	9.00	6.20	3.66	2.50
YEE30B21S	TM9V100C16MP12C	21.0	CF/CM30C	1175	29.4	19.6	14.00	12.25	28.4	17.9	9.50	7.35	3.78	2.56
YEE30B21S	TM9V100C20MP12C	21.0	CF/CM30C	1100	29.2	19.5	14.00	12.25	28.2	17.8	9.00	6.00	3.68	2.52
YEE30B21S	TM9Y060B12MP11	17.5	CF/CM/CU30B	850	28.0	18.8	14.00	12.00	27.6	17.4	8.55	5.15	3.38	2.38
YEE30B21S	TM9Y060B12MP11	17.5	CF/CM30C	875	28.0	18.7	14.00	12.25	27.6	17.4	8.55	5.00	3.42	2.40
YEE30B21S	TM9Y080B12MP11	17.5	CF/CM/CU30B	875	28.2	18.9	14.00	12.25	27.6	17.4	8.55	4.80	3.42	2.40
YEE30B21S	TM9Y080B12MP11	17.5	CF/CM30C	1000	28.6	19.1	14.00	12.25	28.0	17.7	9.00	6.85	3.54	2.46
YEE30B21S	TM9Y080C16MP11	21.0	CF/CM30C	1125	29.2	19.5	14.00	12.25	28.2	18.0	9.00	6.00	3.68	2.52
YEE30B21S	TM9Y100C16MP11	21.0	CF/CM30C	1150	29.2	19.5	14.00	12.25	28.4	18.0	9.00	5.70	3.72	2.54
YEE30B21S	TM9Y100C20MP11	21.0	CF/CM30C	1175	29.4	19.6	14.00	12.25	28.4	18.0	9.00	5.55	3.76	2.56
YEE30B21S	TMLE040A12MP11	14.5	CF/CM/CU30A	800	27.8	18.7	14.00	12.00	27.4	17.3	8.55	5.45	3.34	2.36
YEE30B21S	TMLE040A12MP11	14.5	CF/CM/CU30B	750	27.6	18.6	14.00	12.50	27.2	17.0	8.55	5.45	3.34	2.36
YEE30B21S	TMLE060A12MP11	14.5	CF/CM/CU30A	825	27.8	18.6	14.00	12.25	27.4	17.3	8.55	5.30	3.36	2.38
YEE30B21S	TMLE060A12MP11	14.5	CF/CM/CU30B	1025	28.8	19.3	14.00	12.25	28.0	17.7	9.00	6.65	3.56	2.46
YEE30B21S	TMLE080B12MP11	17.5	CF/CM/CU30B	1025	28.6	19.1	14.00	12.00	28.0	17.8	9.00	6.65	3.56	2.46
YEE30B21S	TMLE080B12MP11	17.5	CF/CM30C	1050	28.8	19.2	14.00	12.25	28.0	17.8	9.00	6.50	3.60	2.48
YEE30B21S	TMLE080C16MP11	21.0	CF/CM30C	1100	29.2	19.5	14.00	12.50	28.0	17.7	9.00	5.85	3.70	2.54

**SYSTEM CAPACITY - With High Efficiency Motor Furnaces<sup>1</sup>**

UNIT MODEL	FURNACE		COIL MODEL <sup>2</sup>	COOLING					HEATING					
	MODEL	WIDTH		RATED CFM	NET MBH		SEER	EER	NET MBH		HSPF Region IV	HSPF Region V	COP	
					TOTAL	SENS.			47°F OD	17°F OD			47°F OD	17°F OD
YEE30B21S	TMLE100B12MP11	17.5	CF/CM/CU30B	825	28.0	18.8	14.00	12.25	27.4	17.2	8.55	5.15	3.40	2.40
YEE30B21S	TMLE100B12MP11	17.5	CF/CM30C	1100	29.0	19.3	14.00	12.25	28.2	17.9	9.00	6.20	3.64	2.50
YEE30B21S	TMLE100C16MP11	21.0	CF/CM30C	1125	29.2	19.5	14.00	12.50	28.2	17.8	9.00	5.70	3.72	2.54
YEE30B21S	TMLE120C16MP11	21.0	CF/CM30C	1125	29.2	19.5	14.00	12.50	28.2	17.8	9.00	5.70	3.72	2.54
YEE30B21S	TMLV060A12MP12C	14.5	CF/CM/CU30A	800	27.8	18.7	14.00	12.00	27.4	17.2	8.55	5.45	3.34	2.36
YEE30B21S	TMLV060A12MP12C	14.5	CF/CM/CU30B	1050	28.8	19.2	14.00	12.00	28.2	17.9	9.00	6.65	3.58	2.46
YEE30B21S	TMLV100C16MP12C	21.0	CF/CM30C	1150	29.4	19.7	14.00	12.25	28.2	17.9	9.00	6.00	3.74	2.54
YEE30B21S	TMLV120C20MP12C	21.0	CF/CM30C	1150	29.4	19.7	14.00	12.50	28.2	17.8	9.50	7.35	3.78	2.58
YEE30B21S	TMLX060A12MP11	14.5	CF/CM/CU30A	750	27.6	18.6	14.00	12.00	27.2	17.1	8.20	5.45	3.30	2.34
YEE30B21S	TMLX060A12MP11	14.5	CF/CM/CU30B	775	27.6	18.5	14.00	12.25	27.2	17.1	8.55	5.45	3.34	2.36
YEE30B21S	TMLX080B12MP11	17.5	CF/CM/CU30B	975	28.6	19.2	14.00	12.25	27.8	17.6	9.00	7.00	3.52	2.46
YEE30B21S	TMLX080B12MP11	17.5	CF/CM30C	975	28.6	19.2	14.00	12.25	27.8	17.6	9.00	7.00	3.54	2.46
YEE30B21S	TMLX080C16MP11	21.0	CF/CM30C	1150	29.4	19.7	14.00	12.50	28.2	17.9	9.00	5.50	3.74	2.56
YEE30B21S	TMLX100C20MP11	21.0	CF/CM30C	1000	28.8	19.3	14.00	12.75	27.8	17.4	9.00	6.50	3.62	2.50
YEE30B21S	TMLX120C20MP11	21.0	CF/CM30C	1000	28.8	19.3	14.00	12.75	27.8	17.4	9.00	6.50	3.62	2.50
YEE30B21S	TP9C060B12MP13C	17.5	CF/CM/CU30B	875	28.0	18.7	14.00	12.00	27.6	17.4	8.55	4.95	3.40	2.40
YEE30B21S	TP9C060B12MP13C	17.5	CF/CM30C	875	28.0	18.7	14.00	12.25	27.6	17.4	8.55	5.00	3.42	2.40
YEE30B21S	TP9C080B12MP13C	17.5	CF/CM/CU30B	1050	28.6	19.0	14.00	12.00	28.2	17.9	9.00	6.65	3.56	2.46
YEE30B21S	TP9C080B12MP13C	17.5	CF/CM30C	1050	28.8	19.2	14.00	12.00	28.2	17.8	9.00	6.50	3.58	2.48
YEE30B21S	TP9C080C16MP13C	21.0	CF/CM30C	1100	29.0	19.3	14.00	12.25	28.2	17.9	9.00	6.20	3.66	2.50
YEE30B21S	TP9C100C16MP13C	21.0	CF/CM30C	1175	29.4	19.6	14.00	12.25	28.4	17.9	9.50	7.35	3.78	2.56
YEE30B21S	TP9C100C20MP13C	21.0	CF/CM30C	1100	29.2	19.5	14.00	12.25	28.2	17.8	9.00	6.00	3.68	2.52
YEE30B21S	TPLC060A12MP13C	14.5	CF/CM/CU30A	800	27.8	18.7	14.00	12.00	27.4	17.2	8.55	5.45	3.34	2.36
YEE30B21S	TPLC060A12MP13C	14.5	CF/CM/CU30B	1050	28.8	19.2	14.00	12.00	28.2	17.9	9.00	6.65	3.58	2.46
YEE30B21S	TPLC080B12MP13C	17.5	CF/CM/CU30B	825	27.8	18.6	14.00	12.00	27.4	17.3	8.55	5.30	3.36	2.38
YEE30B21S	TPLC080B12MP13C	17.5	CF/CM30C	825	27.8	18.6	14.00	12.25	27.4	17.3	8.55	5.10	3.38	2.38
YEE30B21S	TPLC080C16MP13C	21.0	CF/CM30C	1150	29.4	19.7	14.00	12.25	28.2	17.9	9.00	6.00	3.74	2.54
YEE30B21S	TPLC100C16MP13C	21.0	CF/CM30C	1150	29.4	19.7	14.00	12.25	28.2	17.9	9.00	6.00	3.74	2.54
YEE30B21S	TPLC100C20MP13C	21.0	CF/CM30C	1150	29.4	19.7	14.00	12.50	28.2	17.8	9.50	7.35	3.78	2.58
YEE30B21S	YP9C060B12MP13C	17.5	CF/CM/CU30B	875	28.0	18.7	14.00	12.00	27.6	17.4	8.55	4.95	3.40	2.40
YEE30B21S	YP9C060B12MP13C	17.5	CF/CM30C	875	28.0	18.7	14.00	12.25	27.6	17.4	8.55	5.00	3.42	2.40
YEE30B21S	YP9C080B12MP13C	17.5	CF/CM/CU30B	1050	28.6	19.0	14.00	12.00	28.2	17.9	9.00	6.65	3.56	2.46
YEE30B21S	YP9C080B12MP13C	17.5	CF/CM30C	1050	28.8	19.2	14.00	12.00	28.2	17.8	9.00	6.50	3.58	2.48
YEE30B21S	YP9C080C16MP13C	21.0	CF/CM30C	1100	29.0	19.3	14.00	12.25	28.2	17.9	9.00	6.20	3.66	2.50
YEE30B21S	YP9C100C16MP13C	21.0	CF/CM30C	1175	29.4	19.6	14.00	12.25	28.4	17.9	9.50	7.35	3.78	2.56
YEE30B21S	YP9C100C20MP13C	21.0	CF/CM30C	1100	29.2	19.5	14.00	12.25	28.2	17.8	9.00	6.00	3.68	2.52
YEE30B21S	YPLC060A12MP13C	14.5	CF/CM/CU30A	800	27.8	18.7	14.00	12.00	27.4	17.2	8.55	5.45	3.34	2.36

**SYSTEM CAPACITY - With High Efficiency Motor Furnaces<sup>1</sup>**

UNIT MODEL	FURNACE		COIL MODEL <sup>2</sup>	COOLING					HEATING					
	MODEL	WIDTH		RATED CFM	NET MBH		SEER	EER	NET MBH		HSPF Region IV	HSPF Region V	COP	
					TOTAL	SENS.			47°F OD	17°F OD			47°F OD	17°F OD
YEE30B21S	YPLC060A12MP13C	14.5	CF/CM/CU30B	1050	28.8	19.2	14.00	12.00	28.2	17.9	9.00	6.65	3.58	2.46
YEE30B21S	YPLC080B12MP13C	17.5	CF/CM/CU30B	825	27.8	18.6	14.00	12.00	27.4	17.3	8.55	5.30	3.36	2.38
YEE30B21S	YPLC080B12MP13C	17.5	CF/CM30C	825	27.8	18.6	14.00	12.25	27.4	17.3	8.55	5.10	3.38	2.38
YEE30B21S	YPLC080C16MP13C	21.0	CF/CM30C	1150	29.4	19.7	14.00	12.25	28.2	17.9	9.00	6.00	3.74	2.54
YEE30B21S	YPLC100C16MP13C	21.0	CF/CM30C	1150	29.4	19.7	14.00	12.25	28.2	17.9	9.00	6.00	3.74	2.54
YEE30B21S	YPLC100C20MP13C	21.0	CF/CM30C	1150	29.4	19.7	14.00	12.50	28.2	17.8	9.50	7.35	3.78	2.58
YEE30B21S	YPLC120C20MP13C	21.0	CF/CM30C	1150	29.4	19.7	14.00	12.50	28.2	17.8	9.50	7.35	3.78	2.58
YEE36B21S	TL8E080C16UH11	21.0	CF/CM/CU36C	1125	34.0	24.4	14.00	11.75	33.8	21.0	8.20	6.50	3.34	2.26
YEE36B21S	TL8E100C20UH11	21.0	CF/CM/CU36C	1250	34.6	25.5	14.00	12.00	34.0	21.2	8.55	6.95	3.44	2.32
YEE36B21S	TL9E100C20UH11	21.0	CF/CM/CU36C	1225	34.4	25.2	14.00	12.00	34.0	21.2	8.55	7.05	3.42	2.30
YEE36B21S	TM8E080C16MP11	21.0	CF/CM/CU36C	1275	34.4	25.4	14.00	11.75	34.2	21.4	8.55	6.95	3.42	2.30
YEE36B21S	TM8E080C20MP11	21.0	CF/CM/CU36C	1250	34.6	25.5	14.00	12.00	34.0	21.2	8.55	6.95	3.44	2.32
YEE36B21S	TM8E100B12MP11	17.5	CF/CM/CU36B	1075	33.6	23.8	14.00	11.50	33.8	21.0	8.20	6.70	3.26	2.22
YEE36B21S	TM8E100B12MP11	17.5	CF/CM/CU36C	1100	33.8	24.1	14.00	11.75	34.0	21.0	8.20	6.65	3.30	2.24
YEE36B21S	TM8E100C16MP11	21.0	CF/CM/CU36C	1125	34.0	24.4	14.00	12.00	33.8	21.0	8.20	6.50	3.34	2.26
YEE36B21S	TM8E100C20MP11	21.0	CF/CM/CU36C	1250	34.6	25.5	14.00	12.00	34.0	21.2	8.55	6.95	3.44	2.32
YEE36B21S	TM8E120C16MP11	21.0	CF/CM/CU36C	1125	34.0	24.4	14.00	12.00	33.8	21.0	8.20	6.50	3.34	2.26
YEE36B21S	TM8E120C20MP11	21.0	CF/CM/CU36C	1275	34.6	25.6	14.00	12.00	34.2	21.2	8.55	6.90	3.46	2.32
YEE36B21S	TM8V080C16MP12C	21.0	CF/CM/CU36C	1200	34.2	24.9	14.00	11.75	34.0	21.2	8.20	6.45	3.38	2.28
YEE36B21S	TM8V100C16MP12C	21.0	CF/CM/CU36C	1200	34.2	24.9	14.00	11.75	34.0	21.2	8.20	6.45	3.38	2.28
YEE36B21S	TM8V100C20MP12C	21.0	CF/CM/CU36C	1150	34.2	24.7	14.00	12.00	33.8	21.0	8.20	6.45	3.38	2.28
YEE36B21S	TM8V120C20MP12C	21.0	CF/CM/CU36C	1150	34.2	24.7	14.00	12.00	33.8	21.0	8.20	6.45	3.38	2.28
YEE36B21S	TM8X080C16MP11	21.0	CF/CM/CU36C	1150	34.0	24.5	14.00	11.75	34.0	21.0	8.20	6.55	3.36	2.26
YEE36B21S	TM8X100C16MP11	21.0	CF/CM/CU36C	1150	34.0	24.5	14.00	11.75	34.0	21.0	8.20	6.55	3.36	2.26
YEE36B21S	TM8X100C20MP11	21.0	CF/CM/CU36C	1225	34.4	25.2	14.00	12.00	34.0	21.2	8.55	7.05	3.42	2.30
YEE36B21S	TM8X120C20MP11	21.0	CF/CM/CU36C	1225	34.4	25.2	14.00	12.00	34.0	21.2	8.55	7.05	3.42	2.30
YEE36B21S	TM8Y080C16MP11	21.0	CF/CM/CU36C	1150	34.0	24.5	14.00	11.75	34.0	21.0	8.20	6.55	3.36	2.26
YEE36B21S	TM8Y100C16MP11	21.0	CF/CM/CU36C	1150	34.0	24.5	14.00	11.75	34.0	21.0	8.20	6.55	3.36	2.26
YEE36B21S	TM8Y100C20MP11	21.0	CF/CM/CU36C	1225	34.4	25.2	14.00	12.00	34.0	21.2	8.55	7.05	3.42	2.30
YEE36B21S	TM8Y120C20MP11	21.0	CF/CM/CU36C	1225	34.4	25.2	14.00	12.00	34.0	21.2	8.55	7.05	3.42	2.30
YEE36B21S	TM9E080B12MP12	17.5	CF/CM/CU36C	1075	33.6	23.8	14.00	11.50	33.8	21.0	8.20	6.70	3.28	2.22
YEE36B21S	TM9E080C16MP11	21.0	CF/CM/CU36C	1125	33.8	24.2	14.00	11.75	34.0	21.2	8.20	6.55	3.32	2.24
YEE36B21S	TM9E080C16MP12	21.0	CF/CM/CU36C	1075	33.8	24.0	14.00	11.75	33.8	21.0	8.20	6.65	3.30	2.24
YEE36B21S	TM9E080C20MP12	21.0	CF/CM/CU36C	1225	34.4	25.2	14.00	12.00	34.0	21.2	8.55	7.05	3.42	2.30
YEE36B21S	TM9E100C16MP11	21.0	CF/CM/CU36C	1150	34.0	24.5	14.00	11.75	34.0	21.2	8.20	6.50	3.34	2.26
YEE36B21S	TM9E100C16MP12	21.0	CF/CM/CU36C	1275	34.4	25.4	14.00	11.50	34.4	21.4	8.55	7.00	3.40	2.28
YEE36B21S	TM9E100C20MP11	21.0	CF/CM/CU36C	1175	34.2	24.8	14.00	11.75	34.0	21.2	8.20	6.45	3.36	2.28

SYSTEM CAPACITY - With High Efficiency Motor Furnaces<sup>1</sup>

UNIT MODEL	FURNACE		COIL MODEL <sup>2</sup>	COOLING					HEATING					
	MODEL	WIDTH		RATED CFM	NET MBH		SEER	EER	NET MBH		HSPF Region IV	HSPF Region V	COP	
					TOTAL	SENS.			47°F OD	17°F OD			47°F OD	17°F OD
YEE36B21S	TM9E100C20MP12	21.0	CF/CM/CU36C	1200	34.4	25.1	14.00	12.00	34.0	21.2	8.20	6.40	3.40	2.30
YEE36B21S	TM9V060B12MP12C	17.5	CF/CM/CU36C	900	33.0	22.5	14.00	11.50	33.4	20.8	8.20	7.00	3.16	2.16
YEE36B21S	TM9V080C16MP12C	21.0	CF/CM/CU36C	1125	33.8	24.2	14.00	11.75	34.0	21.2	8.20	6.60	3.32	2.24
YEE36B21S	TM9V100C16MP12C	21.0	CF/CM/CU36C	1175	34.2	24.8	14.00	11.75	34.0	21.0	8.20	6.45	3.38	2.28
YEE36B21S	TM9V100C20MP12C	21.0	CF/CM/CU36C	1225	34.4	25.2	14.00	11.75	34.2	21.2	8.20	6.40	3.40	2.28
YEE36B21S	TM9Y080C16MP11	21.0	CF/CM/CU36C	1125	33.8	24.2	14.00	11.75	34.0	21.2	8.20	6.55	3.32	2.24
YEE36B21S	TM9Y100C16MP11	21.0	CF/CM/CU36C	1150	34.0	24.5	14.00	11.75	34.0	21.2	8.20	6.50	3.34	2.26
YEE36B21S	TM9Y100C20MP11	21.0	CF/CM/CU36C	1175	34.2	24.8	14.00	11.75	34.0	21.2	8.20	6.45	3.36	2.28
YEE36B21S	TMLE080C16MP11	21.0	CF/CM/CU36C	1275	34.4	25.4	14.00	11.75	34.2	21.4	8.55	6.95	3.42	2.30
YEE36B21S	TMLE080C20MP11	21.0	CF/CM/CU36C	1250	34.6	25.5	14.00	12.00	34.0	21.2	8.55	6.95	3.44	2.32
YEE36B21S	TMLE100B12MP11	17.5	CF/CM/CU36B	1075	33.6	23.8	14.00	11.50	33.8	21.0	8.20	6.70	3.26	2.22
YEE36B21S	TMLE100B12MP11	17.5	CF/CM/CU36C	1100	33.8	24.1	14.00	11.75	34.0	21.0	8.20	6.65	3.30	2.24
YEE36B21S	TMLE100C16MP11	21.0	CF/CM/CU36C	1125	34.0	24.4	14.00	12.00	33.8	21.0	8.20	6.50	3.34	2.26
YEE36B21S	TMLE100C20MP11	21.0	CF/CM/CU36C	1250	34.6	25.5	14.00	12.00	34.0	21.2	8.55	6.95	3.44	2.32
YEE36B21S	TMLE120C16MP11	21.0	CF/CM/CU36C	1125	34.0	24.4	14.00	12.00	33.8	21.0	8.20	6.50	3.34	2.26
YEE36B21S	TMLE120C20MP11	21.0	CF/CM/CU36C	1275	34.6	25.6	14.00	12.00	34.2	21.2	8.55	6.90	3.46	2.32
YEE36B21S	TMLV100C16MP12C	21.0	CF/CM/CU36C	1200	34.2	24.9	14.00	11.75	34.0	21.2	8.20	6.45	3.38	2.28
YEE36B21S	TMLV120C20MP12C	21.0	CF/CM/CU36C	1150	34.2	24.7	14.00	12.00	33.8	21.0	8.20	6.45	3.38	2.28
YEE36B21S	TMLX080C16MP11	21.0	CF/CM/CU36C	1150	34.0	24.5	14.00	11.75	34.0	21.0	8.20	6.55	3.36	2.26
YEE36B21S	TMLX100C20MP11	21.0	CF/CM/CU36C	1225	34.4	25.2	14.00	12.00	34.0	21.2	8.55	7.05	3.42	2.30
YEE36B21S	TMLX120C20MP11	21.0	CF/CM/CU36C	1225	34.4	25.2	14.00	12.00	34.0	21.2	8.55	7.05	3.42	2.30
YEE36B21S	TP9C060B12MP13C	17.5	CF/CM/CU36C	900	33.0	22.5	14.00	11.50	33.4	20.8	8.20	7.00	3.16	2.16
YEE36B21S	TP9C080C16MP13C	21.0	CF/CM/CU36C	1125	33.8	24.2	14.00	11.75	34.0	21.2	8.20	6.60	3.32	2.24
YEE36B21S	TP9C100C16MP13C	21.0	CF/CM/CU36C	1175	34.2	24.8	14.00	11.75	34.0	21.0	8.20	6.45	3.38	2.28
YEE36B21S	TP9C100C20MP13C	21.0	CF/CM/CU36C	1225	34.4	25.2	14.00	11.75	34.2	21.2	8.20	6.40	3.40	2.28
YEE36B21S	TPLC080C16MP13C	21.0	CF/CM/CU36C	1200	34.2	24.9	14.00	11.75	34.0	21.2	8.20	6.45	3.38	2.28
YEE36B21S	TPLC100C16MP13C	21.0	CF/CM/CU36C	1200	34.2	24.9	14.00	11.75	34.0	21.2	8.20	6.45	3.38	2.28
YEE36B21S	TPLC100C20MP13C	21.0	CF/CM/CU36C	1150	34.2	24.7	14.00	12.00	33.8	21.0	8.20	6.45	3.38	2.28
YEE36B21S	YP9C060B12MP13C	17.5	CF/CM/CU36C	900	33.0	22.5	14.00	11.50	33.4	20.8	8.20	7.00	3.16	2.16
YEE36B21S	YP9C080C16MP13C	21.0	CF/CM/CU36C	1125	33.8	24.2	14.00	11.75	34.0	21.2	8.20	6.60	3.32	2.24
YEE36B21S	YP9C100C16MP13C	21.0	CF/CM/CU36C	1175	34.2	24.8	14.00	11.75	34.0	21.0	8.20	6.45	3.38	2.28
YEE36B21S	YP9C100C20MP13C	21.0	CF/CM/CU36C	1225	34.4	25.2	14.00	11.75	34.2	21.2	8.20	6.40	3.40	2.28
YEE36B21S	YPLC080C16MP13C	21.0	CF/CM/CU36C	1200	34.2	24.9	14.00	11.75	34.0	21.2	8.20	6.45	3.38	2.28
YEE36B21S	YPLC100C16MP13C	21.0	CF/CM/CU36C	1200	34.2	24.9	14.00	11.75	34.0	21.2	8.20	6.45	3.38	2.28
YEE36B21S	YPLC100C20MP13C	21.0	CF/CM/CU36C	1150	34.2	24.7	14.00	12.00	33.8	21.0	8.20	6.45	3.38	2.28
YEE36B21S	YPLC120C20MP13C	21.0	CF/CM/CU36C	1150	34.2	24.7	14.00	12.00	33.8	21.0	8.20	6.45	3.38	2.28
YEE42B21S	TL8E080C16UH11	21.0	CF/CM/CU48C	1400	42.0	33.8	14.00	12.20	38.5	22.8	8.20	6.90	3.32	2.16

**SYSTEM CAPACITY - With High Efficiency Motor Furnaces<sup>1</sup>**

UNIT MODEL	FURNACE		COIL MODEL <sup>2</sup>	COOLING					HEATING					
	MODEL	WIDTH		RATED CFM	NET MBH		SEER	EER	NET MBH		HSPF Region IV	HSPF Region V	COP	
					TOTAL	SENS.			47°F OD	17°F OD			47°F OD	17°F OD
YEE42B21S	TL8E080C16UH11	21.0	CF/CM/CU48D	1300	42.0	33.1	14.00	12.25	38.0	22.4	8.20	6.90	3.28	2.16
YEE42B21S	TL8E100C20UH11	21.0	CF/CM/CU48C	1425	42.5	34.5	14.00	12.25	38.5	22.8	8.20	6.85	3.38	2.20
YEE42B21S	TL8E100C20UH11	21.0	CF/CM/CU48D	1275	42.0	32.9	14.00	12.50	37.8	22.2	8.20	6.90	3.30	2.16
YEE42B21S	TL9E080C16UH11	21.0	CF/CM/CU48C	1425	42.0	34.0	14.00	11.75	38.5	23.0	8.20	6.90	3.30	2.16
YEE42B21S	TL9E080C16UH11	21.0	CF/CM/CU48D	1425	42.0	34.0	14.00	11.75	38.5	23.0	8.20	6.90	3.30	2.16
YEE42B21S	TL9E100C20UH11	21.0	CF/CM/CU48C	1425	42.5	34.5	14.00	12.25	38.5	22.8	8.20	6.85	3.36	2.18
YEE42B21S	TL9E100C20UH11	21.0	CF/CM/CU48D	1150	42.0	31.0	14.00	12.25	37.4	21.8	8.20	6.90	3.24	2.12
YEE42B21S	TM8E080C16MP11	21.0	CF/CM/CU48C	1600	43.0	36.3	14.00	11.75	39.5	23.6	8.20	6.90	3.38	2.20
YEE42B21S	TM8E080C16MP11	21.0	CF/CM/CU48D	1300	42.0	33.1	14.00	12.25	38.0	22.4	8.20	6.90	3.30	2.16
YEE42B21S	TM8E080C20MP11	21.0	CF/CM/CU48C	1475	42.5	34.9	14.00	12.25	38.5	22.8	8.20	6.85	3.40	2.20
YEE42B21S	TM8E080C20MP11	21.0	CF/CM/CU48D	1275	42.0	32.9	14.00	12.50	37.8	22.2	8.20	6.90	3.30	2.16
YEE42B21S	TM8E100C16MP11	21.0	CF/CM/CU48C	1600	43.0	36.3	14.00	11.75	39.5	23.6	8.20	6.90	3.38	2.20
YEE42B21S	TM8E100C16MP11	21.0	CF/CM/CU48D	1325	42.0	33.3	14.00	12.25	38.0	22.6	8.20	6.90	3.30	2.16
YEE42B21S	TM8E100C20MP11	21.0	CF/CM/CU48C	1450	42.5	34.7	14.00	12.25	38.5	22.8	8.20	6.90	3.38	2.20
YEE42B21S	TM8E100C20MP11	21.0	CF/CM/CU48D	1275	42.0	32.9	14.00	12.25	37.8	22.2	8.20	6.90	3.30	2.16
YEE42B21S	TM8E120C16MP11	21.0	CF/CM/CU48C	1325	42.0	33.3	14.00	12.25	38.0	22.6	8.20	6.90	3.30	2.16
YEE42B21S	TM8E120C16MP11	21.0	CF/CM/CU48D	1325	42.0	33.3	14.00	12.25	38.0	22.4	8.20	6.90	3.30	2.16
YEE42B21S	TM8E120C20MP11	21.0	CF/CM/CU48C	1300	42.0	33.1	14.00	12.25	38.0	22.4	8.20	6.90	3.32	2.16
YEE42B21S	TM8E120C20MP11	21.0	CF/CM/CU48D	1300	42.0	33.1	14.00	12.25	38.0	22.4	8.20	6.85	3.32	2.16
YEE42B21S	TM8E130D20MP11	24.5	CF/CM/CU48D	1300	42.0	33.1	14.00	12.25	38.0	22.2	8.20	6.90	3.32	2.16
YEE42B21S	TM8V080C16MP12C	21.0	CF/CM/CU48C	1375	42.0	33.6	14.00	12.20	38.5	22.8	8.20	6.90	3.30	2.16
YEE42B21S	TM8V080C16MP12C	21.0	CF/CM/CU48D	1375	42.0	33.6	14.00	12.20	38.5	22.8	8.20	6.90	3.32	2.16
YEE42B21S	TM8V100C16MP12C	21.0	CF/CM/CU48C	1375	42.0	33.6	14.00	12.20	38.5	22.8	8.20	6.90	3.30	2.16
YEE42B21S	TM8V100C16MP12C	21.0	CF/CM/CU48D	1375	42.0	33.6	14.00	12.20	38.5	22.8	8.20	6.90	3.32	2.16
YEE42B21S	TM8V100C20MP12C	21.0	CF/CM/CU48C	1325	42.0	33.3	14.00	12.25	38.0	22.4	8.20	6.90	3.32	2.18
YEE42B21S	TM8V100C20MP12C	21.0	CF/CM/CU48D	1325	42.0	33.3	14.00	12.25	38.0	22.4	8.20	6.90	3.34	2.18
YEE42B21S	TM8V120C20MP12C	21.0	CF/CM/CU48C	1325	42.0	33.3	14.00	12.25	38.0	22.4	8.20	6.90	3.32	2.18
YEE42B21S	TM8V120C20MP12C	21.0	CF/CM/CU48D	1325	42.0	33.3	14.00	12.25	38.0	22.4	8.20	6.90	3.34	2.18
YEE42B21S	TM8X080C16MP11	21.0	CF/CM/CU48C	1375	42.0	33.6	14.00	12.20	38.5	22.8	8.20	6.90	3.30	2.16
YEE42B21S	TM8X080C16MP11	21.0	CF/CM/CU48D	1400	42.0	33.8	14.00	12.20	38.5	22.8	8.20	6.85	3.32	2.16
YEE42B21S	TM8X100C16MP11	21.0	CF/CM/CU48C	1375	42.0	33.6	14.00	12.20	38.5	22.8	8.20	6.90	3.30	2.16
YEE42B21S	TM8X100C16MP11	21.0	CF/CM/CU48D	1400	42.0	33.8	14.00	12.20	38.5	22.8	8.20	6.85	3.32	2.16
YEE42B21S	TM8X100C20MP11	21.0	CF/CM/CU48C	1400	42.5	34.3	14.00	12.25	38.5	22.6	8.20	6.90	3.36	2.18
YEE42B21S	TM8X100C20MP11	21.0	CF/CM/CU48D	1250	42.0	32.2	14.00	12.50	37.8	22.2	8.20	6.90	3.30	2.16
YEE42B21S	TM8X120C20MP11	21.0	CF/CM/CU48C	1400	42.5	34.3	14.00	12.25	38.5	22.6	8.20	6.90	3.36	2.18
YEE42B21S	TM8X120C20MP11	21.0	CF/CM/CU48D	1250	42.0	32.2	14.00	12.50	37.8	22.2	8.20	6.90	3.30	2.16
YEE42B21S	TM8Y080C16MP11	21.0	CF/CM/CU48C	1375	42.0	33.6	14.00	12.20	38.5	22.8	8.20	6.90	3.30	2.16

SYSTEM CAPACITY - With High Efficiency Motor Furnaces<sup>1</sup>

UNIT MODEL	FURNACE		COIL MODEL <sup>2</sup>	COOLING					HEATING					
	MODEL	WIDTH		RATED CFM	NET MBH		SEER	EER	NET MBH		HSPF Region IV	HSPF Region V	COP	
					TOTAL	SENS.			47°F OD	17°F OD			47°F OD	17°F OD
YEE42B21S	TM8Y080C16MP11	21.0	CF/CM/CU48D	1400	42.0	33.8	14.00	12.20	38.5	22.8	8.20	6.85	3.32	2.16
YEE42B21S	TM8Y100C16MP11	21.0	CF/CM/CU48C	1375	42.0	33.6	14.00	12.20	38.5	22.8	8.20	6.90	3.30	2.16
YEE42B21S	TM8Y100C16MP11	21.0	CF/CM/CU48D	1400	42.0	33.8	14.00	12.20	38.5	22.8	8.20	6.85	3.32	2.16
YEE42B21S	TM8Y100C20MP11	21.0	CF/CM/CU48C	1400	42.5	34.3	14.00	12.25	38.5	22.6	8.20	6.90	3.36	2.18
YEE42B21S	TM8Y100C20MP11	21.0	CF/CM/CU48D	1250	42.0	32.2	14.00	12.50	37.8	22.2	8.20	6.90	3.30	2.16
YEE42B21S	TM8Y120C20MP11	21.0	CF/CM/CU48C	1400	42.5	34.3	14.00	12.25	38.5	22.6	8.20	6.90	3.36	2.18
YEE42B21S	TM8Y120C20MP11	21.0	CF/CM/CU48D	1250	42.0	32.2	14.00	12.50	37.8	22.2	8.20	6.90	3.30	2.16
YEE42B21S	TM9E080C16MP11	21.0	CF/CM/CU48D	1425	42.0	34.0	14.00	11.75	39.0	23.2	8.20	6.95	3.28	2.14
YEE42B21S	TM9E080C20MP12	21.0	CF/CM/CU48C	1425	42.5	34.5	14.00	12.25	38.5	22.8	8.20	6.85	3.36	2.18
YEE42B21S	TM9E080C20MP12	21.0	CF/CM/CU48D	1450	42.5	34.7	14.00	12.25	38.5	22.8	8.20	6.85	3.38	2.20
YEE42B21S	TM9E100C16MP11	21.0	CF/CM/CU48C	1425	42.0	34.0	14.00	11.75	38.5	23.0	8.20	6.90	3.30	2.16
YEE42B21S	TM9E100C16MP11	21.0	CF/CM/CU48D	1425	42.0	34.0	14.00	11.75	38.5	23.0	8.20	6.90	3.30	2.16
YEE42B21S	TM9E100C20MP11	21.0	CF/CM/CU48C	1350	42.0	33.4	14.00	12.20	38.5	22.6	8.20	6.90	3.30	2.16
YEE42B21S	TM9E100C20MP11	21.0	CF/CM/CU48D	1375	42.0	33.6	14.00	12.20	38.5	22.8	8.20	6.90	3.32	2.16
YEE42B21S	TM9E100C20MP12	21.0	CF/CM/CU48C	1425	42.5	34.5	14.00	12.25	38.5	22.8	8.20	6.85	3.36	2.20
YEE42B21S	TM9E100C20MP12	21.0	CF/CM/CU48D	1450	42.5	34.7	14.00	12.25	38.5	22.8	8.20	6.85	3.40	2.20
YEE42B21S	TM9E120D20MP11	24.5	CF/CM/CU48D	1425	42.5	34.5	14.00	12.25	38.5	22.8	8.20	6.85	3.36	2.20
YEE42B21S	TM9E120D20MP12	24.5	CF/CM/CU48D	1475	42.5	34.9	14.00	12.25	38.5	23.0	8.20	6.85	3.38	2.20
YEE42B21S	TM9V080C16MP12C	21.0	CF/CM/CU48D	1375	42.0	33.6	14.00	11.75	38.5	22.8	8.20	6.90	3.28	2.14
YEE42B21S	TM9V100C16MP12C	21.0	CF/CM/CU48C	1300	42.0	32.6	14.00	12.20	38.0	22.4	8.20	6.90	3.28	2.14
YEE42B21S	TM9V100C16MP12C	21.0	CF/CM/CU48D	1300	42.0	33.1	14.00	12.25	38.0	22.4	8.20	6.90	3.30	2.16
YEE42B21S	TM9V100C20MP12C	21.0	CF/CM/CU48C	1350	42.0	33.4	14.00	12.20	38.5	22.6	8.20	6.90	3.30	2.16
YEE42B21S	TM9V100C20MP12C	21.0	CF/CM/CU48D	1350	42.0	33.4	14.00	12.25	38.0	22.6	8.20	6.90	3.32	2.16
YEE42B21S	TM9V120D20MP12C	24.5	CF/CM/CU48D	1300	42.0	33.1	14.00	12.25	38.0	22.2	8.20	6.90	3.32	2.16
YEE42B21S	TM9Y080C16MP11	21.0	CF/CM/CU48D	1425	42.0	34.0	14.00	11.75	39.0	23.2	8.20	6.95	3.28	2.14
YEE42B21S	TM9Y100C16MP11	21.0	CF/CM/CU48C	1425	42.0	34.0	14.00	11.75	38.5	23.0	8.20	6.90	3.30	2.16
YEE42B21S	TM9Y100C16MP11	21.0	CF/CM/CU48D	1425	42.0	34.0	14.00	11.75	38.5	23.0	8.20	6.90	3.30	2.16
YEE42B21S	TM9Y100C20MP11	21.0	CF/CM/CU48C	1350	42.0	33.4	14.00	12.20	38.5	22.6	8.20	6.90	3.30	2.16
YEE42B21S	TM9Y100C20MP11	21.0	CF/CM/CU48D	1375	42.0	33.6	14.00	12.20	38.5	22.8	8.20	6.90	3.32	2.16
YEE42B21S	TM9Y120D20MP11	24.5	CF/CM/CU48D	1425	42.5	34.5	14.00	12.25	38.5	22.8	8.20	6.85	3.36	2.20
YEE42B21S	TMLE080C16MP11	21.0	CF/CM/CU48C	1600	43.0	36.3	14.00	11.75	39.5	23.6	8.20	6.90	3.38	2.20
YEE42B21S	TMLE080C16MP11	21.0	CF/CM/CU48D	1300	42.0	33.1	14.00	12.25	38.0	22.4	8.20	6.90	3.30	2.16
YEE42B21S	TMLE080C20MP11	21.0	CF/CM/CU48C	1475	42.5	34.9	14.00	12.25	38.5	22.8	8.20	6.85	3.40	2.20
YEE42B21S	TMLE080C20MP11	21.0	CF/CM/CU48D	1275	42.0	32.9	14.00	12.50	37.8	22.2	8.20	6.90	3.30	2.16
YEE42B21S	TMLE100C16MP11	21.0	CF/CM/CU48C	1600	43.0	36.3	14.00	11.75	39.5	23.6	8.20	6.90	3.38	2.20
YEE42B21S	TMLE100C16MP11	21.0	CF/CM/CU48D	1325	42.0	33.3	14.00	12.25	38.0	22.6	8.20	6.90	3.30	2.16
YEE42B21S	TMLE100C20MP11	21.0	CF/CM/CU48C	1450	42.5	34.7	14.00	12.25	38.5	22.8	8.20	6.90	3.38	2.20

**SYSTEM CAPACITY - With High Efficiency Motor Furnaces<sup>1</sup>**

UNIT MODEL	FURNACE		COIL MODEL <sup>2</sup>	COOLING					HEATING					
	MODEL	WIDTH		RATED CFM	NET MBH		SEER	EER	NET MBH		HSPF Region IV	HSPF Region V	COP	
					TOTAL	SENS.			47°F OD	17°F OD			47°F OD	17°F OD
YEE42B21S	TMLE100C20MP11	21.0	CF/CM/CU48D	1275	42.0	32.9	14.00	12.25	37.8	22.2	8.20	6.90	3.30	2.16
YEE42B21S	TMLE120C16MP11	21.0	CF/CM/CU48C	1325	42.0	33.3	14.00	12.25	38.0	22.6	8.20	6.90	3.30	2.16
YEE42B21S	TMLE120C16MP11	21.0	CF/CM/CU48D	1325	42.0	33.3	14.00	12.25	38.0	22.4	8.20	6.90	3.30	2.16
YEE42B21S	TMLE120C20MP11	21.0	CF/CM/CU48C	1300	42.0	33.1	14.00	12.25	38.0	22.4	8.20	6.90	3.32	2.16
YEE42B21S	TMLE120C20MP11	21.0	CF/CM/CU48D	1300	42.0	33.1	14.00	12.25	38.0	22.4	8.20	6.85	3.32	2.16
YEE42B21S	TMLE130D20MP11	24.5	CF/CM/CU48D	1300	42.0	33.1	14.00	12.25	38.0	22.2	8.20	6.90	3.32	2.16
YEE42B21S	TMLV100C16MP12C	21.0	CF/CM/CU48C	1375	42.0	33.6	14.00	12.20	38.5	22.8	8.20	6.90	3.30	2.16
YEE42B21S	TMLV100C16MP12C	21.0	CF/CM/CU48D	1375	42.0	33.6	14.00	12.20	38.5	22.8	8.20	6.90	3.32	2.16
YEE42B21S	TMLV120C20MP12C	21.0	CF/CM/CU48C	1325	42.0	33.3	14.00	12.25	38.0	22.4	8.20	6.90	3.32	2.18
YEE42B21S	TMLV120C20MP12C	21.0	CF/CM/CU48D	1325	42.0	33.3	14.00	12.25	38.0	22.4	8.20	6.90	3.34	2.18
YEE42B21S	TMLX080C16MP11	21.0	CF/CM/CU48C	1375	42.0	33.6	14.00	12.20	38.5	22.8	8.20	6.90	3.30	2.16
YEE42B21S	TMLX080C16MP11	21.0	CF/CM/CU48D	1400	42.0	33.8	14.00	12.20	38.5	22.8	8.20	6.85	3.32	2.16
YEE42B21S	TMLX100C20MP11	21.0	CF/CM/CU48C	1400	42.5	34.3	14.00	12.25	38.5	22.6	8.20	6.90	3.36	2.18
YEE42B21S	TMLX100C20MP11	21.0	CF/CM/CU48D	1250	42.0	32.2	14.00	12.50	37.8	22.2	8.20	6.90	3.30	2.16
YEE42B21S	TMLX120C20MP11	21.0	CF/CM/CU48C	1400	42.5	34.3	14.00	12.25	38.5	22.6	8.20	6.90	3.36	2.18
YEE42B21S	TMLX120C20MP11	21.0	CF/CM/CU48D	1250	42.0	32.2	14.00	12.50	37.8	22.2	8.20	6.90	3.30	2.16
YEE42B21S	TP9C080C16MP13C	21.0	CF/CM/CU48D	1375	42.0	33.6	14.00	11.75	38.5	22.8	8.20	6.90	3.28	2.14
YEE42B21S	TP9C100C16MP13C	21.0	CF/CM/CU48C	1300	42.0	32.6	14.00	12.20	38.0	22.4	8.20	6.90	3.28	2.14
YEE42B21S	TP9C100C16MP13C	21.0	CF/CM/CU48D	1300	42.0	33.1	14.00	12.25	38.0	22.4	8.20	6.90	3.30	2.16
YEE42B21S	TP9C100C20MP13C	21.0	CF/CM/CU48C	1350	42.0	33.4	14.00	12.20	38.5	22.6	8.20	6.90	3.30	2.16
YEE42B21S	TP9C100C20MP13C	21.0	CF/CM/CU48D	1350	42.0	33.4	14.00	12.25	38.0	22.6	8.20	6.90	3.32	2.16
YEE42B21S	TP9C120D20MP13C	24.5	CF/CM/CU48D	1300	42.0	33.1	14.00	12.25	38.0	22.2	8.20	6.90	3.32	2.16
YEE42B21S	TPLC080C16MP13C	21.0	CF/CM/CU48C	1375	42.0	33.6	14.00	12.20	38.5	22.8	8.20	6.90	3.30	2.16
YEE42B21S	TPLC080C16MP13C	21.0	CF/CM/CU48D	1375	42.0	33.6	14.00	12.20	38.5	22.8	8.20	6.90	3.32	2.16
YEE42B21S	TPLC100C16MP13C	21.0	CF/CM/CU48C	1375	42.0	33.6	14.00	12.20	38.5	22.8	8.20	6.90	3.30	2.16
YEE42B21S	TPLC100C16MP13C	21.0	CF/CM/CU48D	1375	42.0	33.6	14.00	12.20	38.5	22.8	8.20	6.90	3.32	2.16
YEE42B21S	TPLC100C20MP13C	21.0	CF/CM/CU48C	1325	42.0	33.3	14.00	12.25	38.0	22.4	8.20	6.90	3.32	2.18
YEE42B21S	TPLC100C20MP13C	21.0	CF/CM/CU48D	1325	42.0	33.3	14.00	12.25	38.0	22.4	8.20	6.90	3.34	2.18
YEE42B21S	YP9C080C16MP13C	21.0	CF/CM/CU48D	1375	42.0	33.6	14.00	11.75	38.5	22.8	8.20	6.90	3.28	2.14
YEE42B21S	YP9C100C16MP13C	21.0	CF/CM/CU48C	1300	42.0	32.6	14.00	12.20	38.0	22.4	8.20	6.90	3.28	2.14
YEE42B21S	YP9C100C16MP13C	21.0	CF/CM/CU48D	1300	42.0	33.1	14.00	12.25	38.0	22.4	8.20	6.90	3.30	2.16
YEE42B21S	YP9C100C20MP13C	21.0	CF/CM/CU48C	1350	42.0	33.4	14.00	12.20	38.5	22.6	8.20	6.90	3.30	2.16
YEE42B21S	YP9C100C20MP13C	21.0	CF/CM/CU48D	1350	42.0	33.4	14.00	12.25	38.0	22.6	8.20	6.90	3.32	2.16
YEE42B21S	YP9C120D20MP13C	24.5	CF/CM/CU48D	1300	42.0	33.1	14.00	12.25	38.0	22.2	8.20	6.90	3.32	2.16
YEE42B21S	YPLC080C16MP13C	21.0	CF/CM/CU48C	1375	42.0	33.6	14.00	12.20	38.5	22.8	8.20	6.90	3.30	2.16
YEE42B21S	YPLC080C16MP13C	21.0	CF/CM/CU48D	1375	42.0	33.6	14.00	12.20	38.5	22.8	8.20	6.90	3.32	2.16
YEE42B21S	YPLC100C16MP13C	21.0	CF/CM/CU48C	1375	42.0	33.6	14.00	12.20	38.5	22.8	8.20	6.90	3.30	2.16



**SYSTEM CAPACITY - With High Efficiency Motor Furnaces<sup>1</sup>**

UNIT MODEL	FURNACE		COIL MODEL <sup>2</sup>	COOLING					HEATING					
	MODEL	WIDTH		RATED CFM	NET MBH		SEER	EER	NET MBH		HSPF Region IV	HSPF Region V	COP	
					TOTAL	SENS.			47°F OD	17°F OD			47°F OD	17°F OD
YEE42B21S	YPLC100C16MP13C	21.0	CF/CM/CU48D	1375	42.0	33.6	14.00	12.20	38.5	22.8	8.20	6.90	3.32	2.16
YEE42B21S	YPLC100C20MP13C	21.0	CF/CM/CU48C	1325	42.0	33.3	14.00	12.25	38.0	22.4	8.20	6.90	3.32	2.18
YEE42B21S	YPLC100C20MP13C	21.0	CF/CM/CU48D	1325	42.0	33.3	14.00	12.25	38.0	22.4	8.20	6.90	3.34	2.18
YEE42B21S	YPLC120C20MP13C	21.0	CF/CM/CU48C	1325	42.0	33.3	14.00	12.25	38.0	22.4	8.20	6.90	3.32	2.18
YEE42B21S	YPLC120C20MP13C	21.0	CF/CM/CU48D	1325	42.0	33.3	14.00	12.25	38.0	22.4	8.20	6.90	3.34	2.18
YEE48B21S	TL8E080C16UH11	21.0	CF/CM/CU48C	1250	45.5	29.8	14.00	11.75	46.5	29.0	9.00	7.60	3.60	2.50
YEE48B21S	TL8E080C16UH11	21.0	CF/CM/CU48D	1275	45.5	30.0	14.00	11.75	46.5	29.0	9.00	7.60	3.62	2.52
YEE48B21S	TL8E100C20UH11	21.0	CF/CM/CU48C	1225	45.5	29.7	14.00	12.00	46.0	28.8	9.00	7.60	3.62	2.52
YEE48B21S	TL8E100C20UH11	21.0	CF/CM/CU48D	1250	45.5	29.8	14.00	12.00	46.0	28.8	9.00	7.60	3.64	2.54
YEE48B21S	TL9E080C16UH11	21.0	CF/CM/CU48C	1250	45.0	29.3	14.00	11.75	46.5	29.0	8.55	7.15	3.58	2.50
YEE48B21S	TL9E080C16UH11	21.0	CF/CM/CU48D	1250	45.0	29.3	14.00	11.75	46.5	29.0	8.55	7.15	3.58	2.50
YEE48B21S	TL9E100C20UH11	21.0	CF/CM/CU48C	1200	45.0	29.1	14.00	12.00	46.0	28.8	9.00	7.60	3.60	2.52
YEE48B21S	TL9E100C20UH11	21.0	CF/CM/CU48D	1225	45.5	29.7	14.00	12.00	46.0	28.8	9.00	7.55	3.62	2.52
YEE48B21S	TM8E080C16MP11	21.0	CF/CM/CU48C	1275	45.5	30.0	14.00	11.75	46.5	29.0	9.00	7.55	3.62	2.52
YEE48B21S	TM8E080C16MP11	21.0	CF/CM/CU48D	1275	45.5	30.0	14.00	11.75	46.5	29.0	9.00	7.55	3.62	2.52
YEE48B21S	TM8E080C20MP11	21.0	CF/CM/CU48C	1225	45.5	29.7	14.00	12.00	46.0	28.8	9.00	7.60	3.62	2.52
YEE48B21S	TM8E080C20MP11	21.0	CF/CM/CU48D	1250	45.5	29.8	14.00	12.00	46.0	28.8	9.00	7.60	3.64	2.54
YEE48B21S	TM8E100C16MP11	21.0	CF/CM/CU48C	1300	45.5	30.1	14.00	11.75	46.5	29.0	9.00	7.55	3.64	2.52
YEE48B21S	TM8E100C16MP11	21.0	CF/CM/CU48D	1300	45.5	30.1	14.00	11.75	46.5	29.0	9.00	7.55	3.64	2.52
YEE48B21S	TM8E100C20MP11	21.0	CF/CM/CU48C	1225	45.5	29.7	14.00	12.00	46.0	28.8	9.00	7.60	3.62	2.52
YEE48B21S	TM8E100C20MP11	21.0	CF/CM/CU48D	1250	45.5	29.8	14.00	12.00	46.0	28.8	9.00	7.60	3.64	2.54
YEE48B21S	TM8E120C16MP11	21.0	CF/CM/CU48C	1300	45.5	30.1	14.00	11.75	46.5	29.0	9.00	7.55	3.64	2.52
YEE48B21S	TM8E120C16MP11	21.0	CF/CM/CU48D	1300	45.5	30.1	14.00	11.75	46.5	29.0	9.00	7.55	3.64	2.52
YEE48B21S	TM8E120C20MP11	21.0	CF/CM/CU48C	1275	45.5	30.0	14.00	12.00	46.0	28.8	9.00	7.60	3.64	2.52
YEE48B21S	TM8E120C20MP11	21.0	CF/CM/CU48D	1275	45.5	30.0	14.00	12.00	46.0	28.8	9.00	7.60	3.64	2.54
YEE48B21S	TM8E130D20MP11	24.5	CF/CM/CU48D	1275	45.5	30.0	14.00	12.00	46.0	28.8	9.00	7.55	3.66	2.54
YEE48B21S	TM8V080C16MP12C	21.0	CF/CM/CU48C	1200	45.0	29.1	14.00	11.75	46.0	28.8	8.55	7.15	3.58	2.50
YEE48B21S	TM8V080C16MP12C	21.0	CF/CM/CU48D	1200	45.0	29.1	14.00	11.75	46.0	28.8	8.55	7.15	3.58	2.50
YEE48B21S	TM8V100C16MP12C	21.0	CF/CM/CU48C	1200	45.0	29.1	14.00	11.75	46.0	28.8	8.55	7.15	3.58	2.50
YEE48B21S	TM8V100C16MP12C	21.0	CF/CM/CU48D	1200	45.0	29.1	14.00	11.75	46.0	28.8	8.55	7.15	3.58	2.50
YEE48B21S	TM8V100C20MP12C	21.0	CF/CM/CU48C	1225	45.5	29.7	14.00	12.00	46.0	28.8	9.00	7.60	3.62	2.52
YEE48B21S	TM8V100C20MP12C	21.0	CF/CM/CU48D	1225	45.5	29.7	14.00	12.00	46.0	28.8	9.00	7.55	3.62	2.52
YEE48B21S	TM8V120C20MP12C	21.0	CF/CM/CU48C	1225	45.5	29.7	14.00	12.00	46.0	28.8	9.00	7.60	3.62	2.52
YEE48B21S	TM8V120C20MP12C	21.0	CF/CM/CU48D	1225	45.5	29.7	14.00	12.00	46.0	28.8	9.00	7.55	3.62	2.52
YEE48B21S	TM8X080C16MP11	21.0	CF/CM/CU48C	1350	45.5	30.3	14.00	11.50	46.5	29.2	9.00	7.55	3.64	2.50
YEE48B21S	TM8X080C16MP11	21.0	CF/CM/CU48D	1375	46.0	31.0	14.00	11.75	47.0	29.2	9.00	7.55	3.66	2.52
YEE48B21S	TM8X100C16MP11	21.0	CF/CM/CU48C	1350	45.5	30.3	14.00	11.50	46.5	29.2	9.00	7.55	3.64	2.50

**SYSTEM CAPACITY - With High Efficiency Motor Furnaces<sup>1</sup>**

UNIT MODEL	FURNACE		COIL MODEL <sup>2</sup>	COOLING					HEATING					
	MODEL	WIDTH		RATED CFM	NET MBH		SEER	EER	NET MBH		HSPF Region IV	HSPF Region V	COP	
					TOTAL	SENS.			47°F OD	17°F OD			47°F OD	17°F OD
YEE48B21S	TM8X100C16MP11	21.0	CF/CM/CU48D	1375	46.0	31.0	14.00	11.75	47.0	29.2	9.00	7.55	3.66	2.52
YEE48B21S	TM8X100C20MP11	21.0	CF/CM/CU48C	1200	45.0	29.1	14.00	12.00	46.0	28.8	9.00	7.60	3.60	2.52
YEE48B21S	TM8X100C20MP11	21.0	CF/CM/CU48D	1225	45.5	29.7	14.00	12.00	46.0	28.8	9.00	7.55	3.62	2.52
YEE48B21S	TM8X120C20MP11	21.0	CF/CM/CU48C	1200	45.0	29.1	14.00	12.00	46.0	28.8	9.00	7.60	3.60	2.52
YEE48B21S	TM8X120C20MP11	21.0	CF/CM/CU48D	1225	45.5	29.7	14.00	12.00	46.0	28.8	9.00	7.55	3.62	2.52
YEE48B21S	TM8Y080C16MP11	21.0	CF/CM/CU48C	1350	45.5	30.3	14.00	11.50	46.5	29.2	9.00	7.55	3.64	2.50
YEE48B21S	TM8Y080C16MP11	21.0	CF/CM/CU48D	1375	46.0	31.0	14.00	11.75	47.0	29.2	9.00	7.55	3.66	2.52
YEE48B21S	TM8Y100C16MP11	21.0	CF/CM/CU48C	1350	45.5	30.3	14.00	11.50	46.5	29.2	9.00	7.55	3.64	2.50
YEE48B21S	TM8Y100C16MP11	21.0	CF/CM/CU48D	1375	46.0	31.0	14.00	11.75	47.0	29.2	9.00	7.55	3.66	2.52
YEE48B21S	TM8Y100C20MP11	21.0	CF/CM/CU48C	1200	45.0	29.1	14.00	12.00	46.0	28.8	9.00	7.60	3.60	2.52
YEE48B21S	TM8Y100C20MP11	21.0	CF/CM/CU48D	1225	45.5	29.7	14.00	12.00	46.0	28.8	9.00	7.55	3.62	2.52
YEE48B21S	TM8Y120C20MP11	21.0	CF/CM/CU48C	1200	45.0	29.1	14.00	12.00	46.0	28.8	9.00	7.60	3.60	2.52
YEE48B21S	TM8Y120C20MP11	21.0	CF/CM/CU48D	1225	45.5	29.7	14.00	12.00	46.0	28.8	9.00	7.55	3.62	2.52
YEE48B21S	TM9E080C16MP11	21.0	CF/CM/CU48C	1250	45.0	29.3	14.00	11.50	46.5	29.0	8.55	7.15	3.58	2.48
YEE48B21S	TM9E080C16MP11	21.0	CF/CM/CU48D	1250	45.0	29.3	14.00	11.50	46.5	29.0	8.55	7.15	3.58	2.48
YEE48B21S	TM9E080C16MP12	21.0	CF/CM/CU48C	1250	45.0	29.3	14.00	11.75	46.5	29.0	8.55	7.15	3.58	2.50
YEE48B21S	TM9E080C16MP12	21.0	CF/CM/CU48D	1250	45.0	29.3	14.00	11.75	46.5	29.0	8.55	7.15	3.58	2.50
YEE48B21S	TM9E080C20MP12	21.0	CF/CM/CU48C	1200	45.0	29.1	14.00	12.00	46.0	28.8	9.00	7.60	3.60	2.52
YEE48B21S	TM9E080C20MP12	21.0	CF/CM/CU48D	1225	45.5	29.7	14.00	12.00	46.0	28.8	9.00	7.55	3.62	2.52
YEE48B21S	TM9E100C16MP11	21.0	CF/CM/CU48C	1250	45.0	29.3	14.00	11.75	46.5	29.0	8.55	7.15	3.58	2.50
YEE48B21S	TM9E100C16MP11	21.0	CF/CM/CU48D	1275	45.5	30.0	14.00	11.75	46.5	29.0	9.00	7.60	3.60	2.50
YEE48B21S	TM9E100C16MP12	21.0	CF/CM/CU48C	1250	45.0	29.3	14.00	11.75	46.5	29.0	8.55	7.15	3.58	2.50
YEE48B21S	TM9E100C16MP12	21.0	CF/CM/CU48D	1275	45.5	30.0	14.00	11.75	46.5	29.0	9.00	7.60	3.60	2.50
YEE48B21S	TM9E100C20MP11	21.0	CF/CM/CU48C	1350	45.5	30.3	14.00	11.75	46.5	29.2	9.00	7.55	3.64	2.52
YEE48B21S	TM9E100C20MP11	21.0	CF/CM/CU48D	1350	45.5	30.3	14.00	11.75	46.5	29.0	9.00	7.55	3.66	2.52
YEE48B21S	TM9E100C20MP12	21.0	CF/CM/CU48C	1200	45.0	29.1	14.00	12.00	46.0	28.8	9.00	7.60	3.60	2.52
YEE48B21S	TM9E100C20MP12	21.0	CF/CM/CU48D	1200	45.0	29.1	14.00	12.00	46.0	28.8	9.00	7.60	3.60	2.52
YEE48B21S	TM9E120D20MP11	24.5	CF/CM/CU48D	1225	45.5	29.7	14.00	12.00	46.0	28.8	9.00	7.60	3.62	2.52
YEE48B21S	TM9E120D20MP12	24.5	CF/CM/CU48D	1225	45.5	29.7	14.00	12.00	46.0	28.8	9.00	7.60	3.62	2.52
YEE48B21S	TM9V080C16MP12C	21.0	CF/CM/CU48C	1225	45.0	29.2	14.00	11.50	46.5	29.0	8.55	7.20	3.56	2.48
YEE48B21S	TM9V080C16MP12C	21.0	CF/CM/CU48D	1225	45.0	29.2	14.00	11.75	46.5	29.0	8.55	7.15	3.58	2.50
YEE48B21S	TM9V100C16MP12C	21.0	CF/CM/CU48C	1225	45.0	29.2	14.00	11.75	46.0	28.8	9.00	7.60	3.60	2.52
YEE48B21S	TM9V100C16MP12C	21.0	CF/CM/CU48D	1225	45.5	29.7	14.00	12.00	46.0	28.8	9.00	7.60	3.60	2.52
YEE48B21S	TM9V100C20MP12C	21.0	CF/CM/CU48C	1225	45.0	29.2	14.00	11.75	46.0	28.8	9.00	7.60	3.60	2.50
YEE48B21S	TM9V100C20MP12C	21.0	CF/CM/CU48D	1225	45.0	29.2	14.00	12.00	46.0	28.8	9.00	7.60	3.60	2.52
YEE48B21S	TM9V120D20MP12C	24.5	CF/CM/CU48D	1200	45.0	29.1	14.00	12.00	46.0	28.6	9.00	7.60	3.60	2.52
YEE48B21S	TM9Y080C16MP11	21.0	CF/CM/CU48C	1250	45.0	29.3	14.00	11.50	46.5	29.0	8.55	7.15	3.58	2.48

SYSTEM CAPACITY - With High Efficiency Motor Furnaces<sup>1</sup>

UNIT MODEL	FURNACE		COIL MODEL <sup>2</sup>	COOLING					HEATING					
	MODEL	WIDTH		RATED CFM	NET MBH		SEER	EER	NET MBH		HSPF Region IV	HSPF Region V	COP	
					TOTAL	SENS.			47°F OD	17°F OD			47°F OD	17°F OD
YEE48B21S	TM9Y080C16MP11	21.0	CF/CM/CU48D	1250	45.0	29.3	14.00	11.50	46.5	29.0	8.55	7.15	3.58	2.48
YEE48B21S	TM9Y100C16MP11	21.0	CF/CM/CU48C	1250	45.0	29.3	14.00	11.75	46.5	29.0	8.55	7.15	3.58	2.50
YEE48B21S	TM9Y100C16MP11	21.0	CF/CM/CU48D	1275	45.5	30.0	14.00	11.75	46.5	29.0	9.00	7.60	3.60	2.50
YEE48B21S	TM9Y100C20MP11	21.0	CF/CM/CU48C	1350	45.5	30.3	14.00	11.75	46.5	29.2	9.00	7.55	3.64	2.52
YEE48B21S	TM9Y100C20MP11	21.0	CF/CM/CU48D	1350	45.5	30.3	14.00	11.75	46.5	29.0	9.00	7.55	3.66	2.52
YEE48B21S	TM9Y120D20MP11	24.5	CF/CM/CU48D	1225	45.5	29.7	14.00	12.00	46.0	28.8	9.00	7.60	3.62	2.52
YEE48B21S	TMLE080C16MP11	21.0	CF/CM/CU48C	1275	45.5	30.0	14.00	11.75	46.5	29.0	9.00	7.55	3.62	2.52
YEE48B21S	TMLE080C16MP11	21.0	CF/CM/CU48D	1275	45.5	30.0	14.00	11.75	46.5	29.0	9.00	7.55	3.62	2.52
YEE48B21S	TMLE080C20MP11	21.0	CF/CM/CU48C	1225	45.5	29.7	14.00	12.00	46.0	28.8	9.00	7.60	3.62	2.52
YEE48B21S	TMLE080C20MP11	21.0	CF/CM/CU48D	1250	45.5	29.8	14.00	12.00	46.0	28.8	9.00	7.60	3.64	2.54
YEE48B21S	TMLE100C16MP11	21.0	CF/CM/CU48C	1300	45.5	30.1	14.00	11.75	46.5	29.0	9.00	7.55	3.64	2.52
YEE48B21S	TMLE100C16MP11	21.0	CF/CM/CU48D	1300	45.5	30.1	14.00	11.75	46.5	29.0	9.00	7.55	3.64	2.52
YEE48B21S	TMLE100C20MP11	21.0	CF/CM/CU48C	1225	45.5	29.7	14.00	12.00	46.0	28.8	9.00	7.60	3.62	2.52
YEE48B21S	TMLE100C20MP11	21.0	CF/CM/CU48D	1250	45.5	29.8	14.00	12.00	46.0	28.8	9.00	7.60	3.64	2.54
YEE48B21S	TMLE120C16MP11	21.0	CF/CM/CU48C	1300	45.5	30.1	14.00	11.75	46.5	29.0	9.00	7.55	3.64	2.52
YEE48B21S	TMLE120C16MP11	21.0	CF/CM/CU48D	1300	45.5	30.1	14.00	11.75	46.5	29.0	9.00	7.55	3.64	2.52
YEE48B21S	TMLE120C20MP11	21.0	CF/CM/CU48C	1275	45.5	30.0	14.00	12.00	46.0	28.8	9.00	7.60	3.64	2.52
YEE48B21S	TMLE120C20MP11	21.0	CF/CM/CU48D	1275	45.5	30.0	14.00	12.00	46.0	28.8	9.00	7.60	3.64	2.54
YEE48B21S	TMLE130D20MP11	24.5	CF/CM/CU48D	1275	45.5	30.0	14.00	12.00	46.0	28.8	9.00	7.55	3.66	2.54
YEE48B21S	TMLV100C16MP12C	21.0	CF/CM/CU48C	1200	45.0	29.1	14.00	11.75	46.0	28.8	8.55	7.15	3.58	2.50
YEE48B21S	TMLV100C16MP12C	21.0	CF/CM/CU48D	1200	45.0	29.1	14.00	11.75	46.0	28.8	8.55	7.15	3.58	2.50
YEE48B21S	TMLV120C20MP12C	21.0	CF/CM/CU48C	1225	45.5	29.7	14.00	12.00	46.0	28.8	9.00	7.60	3.62	2.52
YEE48B21S	TMLV120C20MP12C	21.0	CF/CM/CU48D	1225	45.5	29.7	14.00	12.00	46.0	28.8	9.00	7.55	3.62	2.52
YEE48B21S	TMLX080C16MP11	21.0	CF/CM/CU48C	1350	45.5	30.3	14.00	11.50	46.5	29.2	9.00	7.55	3.64	2.50
YEE48B21S	TMLX080C16MP11	21.0	CF/CM/CU48D	1375	46.0	31.0	14.00	11.75	47.0	29.2	9.00	7.55	3.66	2.52
YEE48B21S	TMLX100C20MP11	21.0	CF/CM/CU48C	1200	45.0	29.1	14.00	12.00	46.0	28.8	9.00	7.60	3.60	2.52
YEE48B21S	TMLX100C20MP11	21.0	CF/CM/CU48D	1225	45.5	29.7	14.00	12.00	46.0	28.8	9.00	7.55	3.62	2.52
YEE48B21S	TMLX120C20MP11	21.0	CF/CM/CU48C	1200	45.0	29.1	14.00	12.00	46.0	28.8	9.00	7.60	3.60	2.52
YEE48B21S	TMLX120C20MP11	21.0	CF/CM/CU48D	1225	45.5	29.7	14.00	12.00	46.0	28.8	9.00	7.55	3.62	2.52
YEE48B21S	TP9C080C16MP13C	21.0	CF/CM/CU48C	1225	45.0	29.2	14.00	11.50	46.5	29.0	8.55	7.20	3.56	2.48
YEE48B21S	TP9C080C16MP13C	21.0	CF/CM/CU48D	1225	45.0	29.2	14.00	11.75	46.5	29.0	8.55	7.15	3.58	2.50
YEE48B21S	TP9C100C16MP13C	21.0	CF/CM/CU48C	1225	45.0	29.2	14.00	11.75	46.0	28.8	9.00	7.60	3.60	2.52
YEE48B21S	TP9C100C16MP13C	21.0	CF/CM/CU48D	1225	45.5	29.7	14.00	12.00	46.0	28.8	9.00	7.60	3.60	2.52
YEE48B21S	TP9C100C20MP13C	21.0	CF/CM/CU48C	1225	45.0	29.2	14.00	11.75	46.0	28.8	9.00	7.60	3.60	2.50
YEE48B21S	TP9C100C20MP13C	21.0	CF/CM/CU48D	1225	45.0	29.2	14.00	12.00	46.0	28.8	9.00	7.60	3.60	2.52
YEE48B21S	TP9C120D20MP13C	24.5	CF/CM/CU48D	1200	45.0	29.1	14.00	12.00	46.0	28.6	9.00	7.60	3.60	2.52
YEE48B21S	TPLC080C16MP13C	21.0	CF/CM/CU48C	1200	45.0	29.1	14.00	11.75	46.0	28.8	8.55	7.15	3.58	2.50

**SYSTEM CAPACITY - With High Efficiency Motor Furnaces<sup>1</sup>**

UNIT MODEL	FURNACE		COIL MODEL <sup>2</sup>	COOLING					HEATING					
	MODEL	WIDTH		RATED CFM	NET MBH		SEER	EER	NET MBH		HSPF Region IV	HSPF Region V	COP	
					TOTAL	SENS.			47°F OD	17°F OD			47°F OD	17°F OD
YEE48B21S	TPLC080C16MP13C	21.0	CF/CM/CU48D	1200	45.0	29.1	14.00	11.75	46.0	28.8	8.55	7.15	3.58	2.50
YEE48B21S	TPLC100C16MP13C	21.0	CF/CM/CU48C	1200	45.0	29.1	14.00	11.75	46.0	28.8	8.55	7.15	3.58	2.50
YEE48B21S	TPLC100C16MP13C	21.0	CF/CM/CU48D	1200	45.0	29.1	14.00	11.75	46.0	28.8	8.55	7.15	3.58	2.50
YEE48B21S	TPLC100C20MP13C	21.0	CF/CM/CU48C	1225	45.5	29.7	14.00	12.00	46.0	28.8	9.00	7.60	3.62	2.52
YEE48B21S	TPLC100C20MP13C	21.0	CF/CM/CU48D	1225	45.5	29.7	14.00	12.00	46.0	28.8	9.00	7.55	3.62	2.52
YEE48B21S	YP9C080C16MP13C	21.0	CF/CM/CU48C	1225	45.0	29.2	14.00	11.50	46.5	29.0	8.55	7.20	3.56	2.48
YEE48B21S	YP9C080C16MP13C	21.0	CF/CM/CU48D	1225	45.0	29.2	14.00	11.75	46.5	29.0	8.55	7.15	3.58	2.50
YEE48B21S	YP9C100C16MP13C	21.0	CF/CM/CU48C	1225	45.0	29.2	14.00	11.75	46.0	28.8	9.00	7.60	3.60	2.52
YEE48B21S	YP9C100C16MP13C	21.0	CF/CM/CU48D	1225	45.5	29.7	14.00	12.00	46.0	28.8	9.00	7.60	3.60	2.52
YEE48B21S	YP9C100C20MP13C	21.0	CF/CM/CU48C	1225	45.0	29.2	14.00	11.75	46.0	28.8	9.00	7.60	3.60	2.50
YEE48B21S	YP9C100C20MP13C	21.0	CF/CM/CU48D	1225	45.0	29.2	14.00	12.00	46.0	28.8	9.00	7.60	3.60	2.52
YEE48B21S	YP9C120D20MP13C	24.5	CF/CM/CU48D	1200	45.0	29.1	14.00	12.00	46.0	28.6	9.00	7.60	3.60	2.52
YEE48B21S	YPLC080C16MP13C	21.0	CF/CM/CU48C	1200	45.0	29.1	14.00	11.75	46.0	28.8	8.55	7.15	3.58	2.50
YEE48B21S	YPLC080C16MP13C	21.0	CF/CM/CU48D	1200	45.0	29.1	14.00	11.75	46.0	28.8	8.55	7.15	3.58	2.50
YEE48B21S	YPLC100C16MP13C	21.0	CF/CM/CU48C	1200	45.0	29.1	14.00	11.75	46.0	28.8	8.55	7.15	3.58	2.50
YEE48B21S	YPLC100C16MP13C	21.0	CF/CM/CU48D	1200	45.0	29.1	14.00	11.75	46.0	28.8	8.55	7.15	3.58	2.50
YEE48B21S	YPLC100C20MP13C	21.0	CF/CM/CU48C	1225	45.5	29.7	14.00	12.00	46.0	28.8	9.00	7.60	3.62	2.52
YEE48B21S	YPLC100C20MP13C	21.0	CF/CM/CU48D	1225	45.5	29.7	14.00	12.00	46.0	28.8	9.00	7.55	3.62	2.52
YEE48B21S	YPLC120C20MP13C	21.0	CF/CM/CU48C	1225	45.5	29.7	14.00	12.00	46.0	28.8	9.00	7.60	3.62	2.52
YEE48B21S	YPLC120C20MP13C	21.0	CF/CM/CU48D	1225	45.5	29.7	14.00	12.00	46.0	28.8	9.00	7.55	3.62	2.52
YEE60B21S	TM8E080C20MP11	21.0	CF/CM64DXA1	1575	56.0	38.2	14.00	12.00	55.5	36.0	9.00	7.65	3.72	2.68
YEE60B21S	TM8E100C20MP11	21.0	CF/CM64DXA1	1525	56.0	37.9	14.00	12.00	55.5	36.0	9.00	7.75	3.70	2.68
YEE60B21S	TM8E120C20MP11	21.0	CF/CM64DXA1	1525	56.0	37.9	14.00	12.00	55.5	35.8	9.00	7.65	3.72	2.68
YEE60B21S	TM9E080C20MP12	21.0	CF/CM64DXA1	1500	55.5	37.3	14.00	12.00	55.5	35.8	9.00	7.75	3.70	2.68
YEE60B21S	TM9E100C20MP12	21.0	CF/CM64DXA1	1525	56.0	37.9	14.00	12.00	55.5	35.8	9.00	7.65	3.72	2.68
YEE60B21S	TMLE080C20MP11	21.0	CF/CM64DXA1	1575	56.0	38.2	14.00	12.00	55.5	36.0	9.00	7.65	3.72	2.68
YEE60B21S	TMLE100C20MP11	21.0	CF/CM64DXA1	1525	56.0	37.9	14.00	12.00	55.5	36.0	9.00	7.75	3.70	2.68
YEE60B21S	TMLE120C20MP11	21.0	CF/CM64DXA1	1525	56.0	37.9	14.00	12.00	55.5	35.8	9.00	7.65	3.72	2.68

For rated condition information, see the footnotes below the System Capacity - Single Piece and Modular Air Handlers table.

1. High Efficiency Motor Furnaces have B.O.D. (Blower on Delay) standard.
2. CM coils available with a factory installed horizontal drain pan. See price pages for specific model number. PSC furnaces, such as the TG8S, TGLS, and TG9S, use Coil Only Ratings.

## APPLICATION & ACCESSORIES

Refer to Price Manual for specific model numbers.

Standard Application Limits*		
Maximum Lineset Equivalent Length	80 Ft	
Outdoor Ambient Temperature Limits		
Cooling Operation	Maximum DB	125°F
	Minimum DB	55°F
Heating Operation	Maximum DB	75°F
	Minimum DB	0°F

\* For applications such as Low Ambient, reduced linesets, and/or long linesets, see the accessories listed below.

**Standard Low Ambient Control Kit S1-2LA06700424:** Allows the use of air conditioning at low outdoor ambient temperatures down to +20°F (-7°C). For use with all R-410A single stage AC & HP models.

**Start Assist Kit S1-2SA067\*\*\*\*:** Provides increased compressor starting torque for areas with low supply voltage. Required for units with recip compressors when applied with indoor TXV, and for all units when applied with long linesets or low ambient kits. May be factory installed on select AC & HP units (see Physical & Electrical Table). See Price Pages or Source1 SmartSearch for the correct kit for each application.

**Support Feet S1-HPRKIT\*\*:** Kit of 5 support feet to raise unit above snow or landscaping. Available in heights of 3", 6" or 12".

**Compressor Crankcase Heater Kit (S1-025\*\*\*\*):** A wrap-around electrical resistance heater that warms the compressor sump, reducing the chance of liquid slugging on startup. Required on all long lineset and low ambient applications. See Price Pages or Source1 SmartSearch for the correct part for each application.

## Outdoor Thermostat for Electric Heat Staging

**S1-37327982001:** Prevents the operation of electric heat above the set ambient temperature. Can provide multi-stage heat control based on outdoor temperature.

**Anchor Bracket Kit S1-1HK0401:** Firmly anchors unit to pad or support structure. When properly installed, approved for ground-mounted or roof-mounted applications.

**Indoor TXV Kit S1-1TVM\*\*\*:** Thermal expansion valves precisely meter refrigerant for optimum performance over a wide range of conditions. See System Charge Table, Price Pages, or Source1 Smart Search for TXV part number for each AC & HP model.

**Wall Mount Kit (S1-ACB\*\*):** Includes two brackets to allow outdoor unit to be securely mounted to a vertical wall. Mounting hardware is field sourced according to the specific application.

**Cold Weather Charging Tent S1-CHGTENT01:** Provides warm environment to accurately service AC & HP systems in ambient conditions 55°F (13°C) or colder.

**Touch-up Paint S1-5130153\*\*\*\*:** Color matched aerosol paint for touching up unit chassis and panels. See Price Pages or Source1 SmartSearch for the correct color for each application.

**Compressor Sound Blanket S1-010-07xxx-000:** A field installed dense foam cover that provides 2dBA sound level reduction. See Price Pages or Source1 SmartSearch for the correct blanket for each application.

**Thermostat:** Compatible thermostat controls are available through accessory sourcing. For optimum performance, these outdoor units are fully compatible with our York Hx™ Touch-screen Thermostats available through Source1. For more information, see the thermostat section of the Product Equipment Catalog.

## SOUND POWER RATINGS - COOLING

Cooling Model Number	Octave Band Sound Power Level (db re. 1-pW)									dBA	SQI
	63	125	250	500	1000	2000	4000	8000			
YEE18B21S	67	67	61	64	64	62	62	56	69	19.2	
YEE24B21S	67	61	61	63	61	59	57	53	66	19.0	
YEE30B21S	68	69	66	71	68	65	62	57	73	19.1	
YEE36B21S	70	67	67	71	69	64	61	58	73	19.0	
YEE42B21S	72	71	69	72	71	70	66	63	76	19.1	
YEE48B21S	71	77	67	70	69	65	64	63	74	19.1	
YEE60B21S	77	69	68	72	74	68	68	66	77	19.1	

Rated in accordance with ARI Standard 270.

## SOUND POWER RATINGS - HEATING

Heating Model Number	Octave Band Sound Power Level (db re. 1-pW)									dBA	SQI
	63	125	250	500	1000	2000	4000	8000			
YEE18B21S	69	67	61	64	63	61	58	55	68	19.2	
YEE24B21S	68	63	61	64	62	60	59	56	68	19.0	
YEE30B21S	70	70	66	71	68	64	62	60	73	19.0	
YEE36B21S	71	74	70	73	69	65	64	62	75	19.1	
YEE42B21S	70	70	67	71	71	69	66	64	76	19.1	
YEE48B21S	67	73	71	72	71	67	64	62	75	19.0	
YEE60B21S	76	71	69	72	74	69	68	64	77	19.0	

Rated in accordance with ARI Standard 270.

## MECHANICAL SPECIFICATIONS

### Manufacture and certifications

- Units shall be manufactured in an ISO 9001 certified facility.
- Units shall be certified by CSA to 4th Edition of UL 1995 / CSA 22.2 and performance certified to ANSI/AHRI Standard 210/240.
- Units shall be sound tested according to ANSI/AHRI Standard 270.
- Certified matched system ratings will be available for download from the AHRI online directory at [www.ahridirectory.org](http://www.ahridirectory.org).
- Unit packaging shall be marked, "Assembled in the USA"

### Unit Application

- Units shall be approved for cooling operation between 55°F and 125°F without modification.
- Units shall be approved for heating operation between 0°F and 75°F without modification.
- Units shall be approved for linesets up to 80 feet equivalent length without modification.
- Units shall be approved for installation within 6 inches of a flat vertical wall without modification, according to the instructions in the technical literature.
- Units shall be certified to the 5th Edition (2014) of the Florida Building Code for both ground-mounted and rooftop-mounted applications up to 200 feet above grade with approved mounting kit.

### Unit Access

- Units shall have a removable fan guard that can be removed independently of the top for interior access through the top of the unit without damaging the coil.
- Units shall have two removable stamped steel coil guards for exterior coil access.
- Units shall have a separate compartment for electrical controls that can be accessed without disturbing the unit airflow.
- Units shall have a blockoff panel that can be removed to provide interior unit access through the side of the unit.
- Units shall have a removable blockoff panel and a swing open removable electrical panel that provides sufficient interior unit access for removing the compressor through the side of the unit.

### Unit Construction

- Units shall be shipped completely wired, piped and assembled. Wiring pigtails shall be provided for field control wiring connections. Service valves shall be provided for field refrigerant line connections.

- Units shall be factory leak checked, run tested, and shipped with a holding charge of R-410A refrigerant.
- Unit cabinet components shall be G90 equivalent steel finished with powder-coat paint rated at a minimum of 500 hours under ASTM B117 testing.
- Unit base pan shall be stamped G90 equivalent steel finished with powder-coat paint rated at a minimum of 500 hours under ASTM B117 testing.
- Units shall have a single corner post opposite the electrical control box and two independently removable steel coil guard panels to optimize cabinet strength and serviceability.
- Units shall have L-shaped stamped sheet metal coil guards with interior facing extrusions for superior panel stiffness and durability from hail and other mechanical impacts.
- Units shall have a factory installed stainless steel filter-drier for faster installation and improved system reliability.
- Unit base valves shall be mounted diagonally on the unit base pan with service ports that provide sufficient clearance for low-loss hose fittings.
- Units shall provide a service port mounted in the base pan such that panels can be removed without moving the service port.
- Units shall be constructed with a high pressure switch and a low pressure switch for system protection.
- Units shall be constructed with all badging and labels applied at the factory.

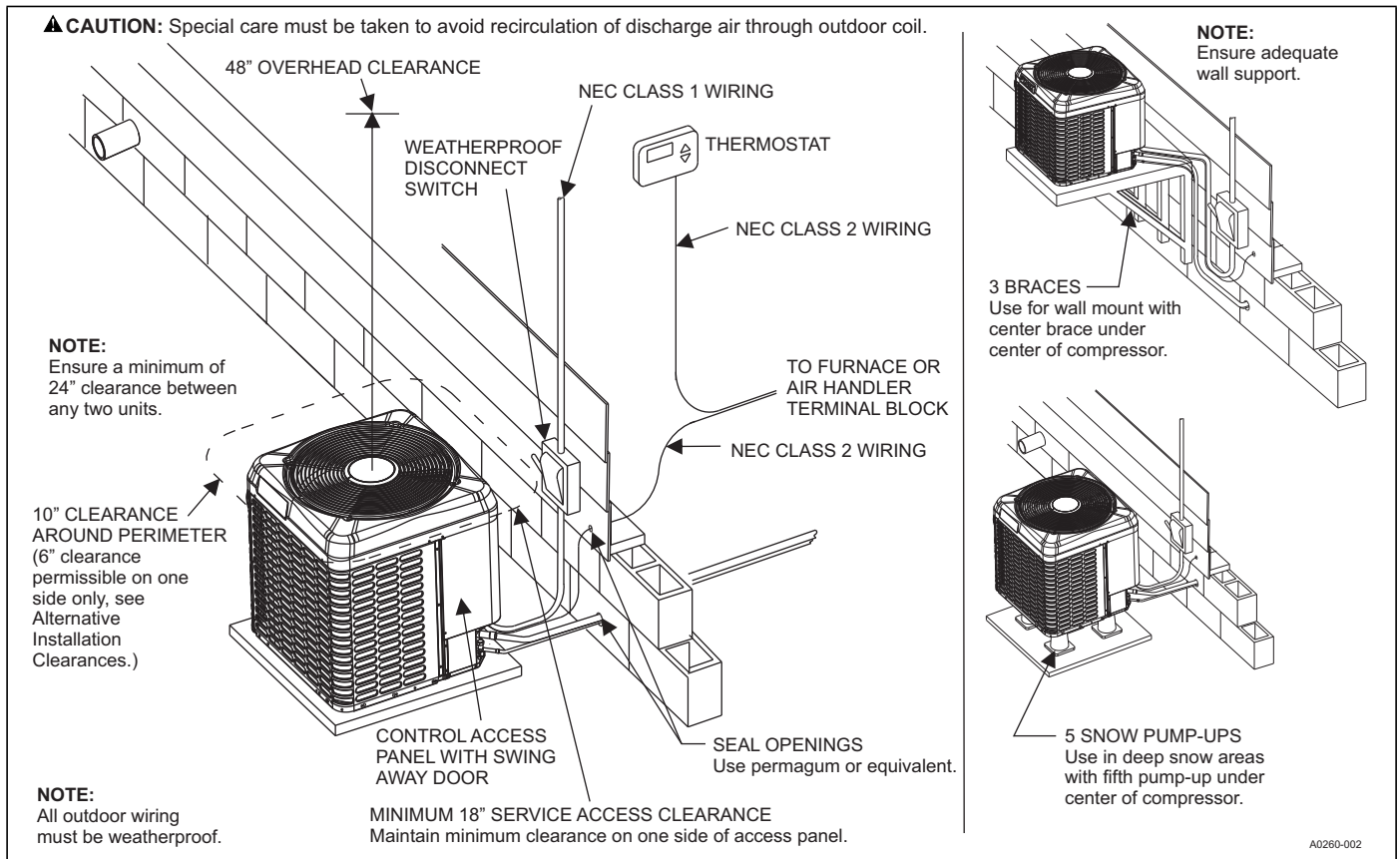
### Unit Components

- Compressor shall be hermetic with internal electrical overload protection and internal overpressure protection.
- Compressor shall be mounted on neoprene vibration isolators that do not require the removal of transportation clips or brackets.
- Outdoor fan shall be direct drive with vertical air discharge for low sound levels.
- Outdoor fan motor shall be totally enclosed with permanently lubricated ball bearings motors approved for vertical shaft applications.
- Outdoor coil shall be air cooled and constructed of enhanced aluminum fins mechanically bonded to internally enhanced Ø 7mm copper tubing.

### Unit Warranties

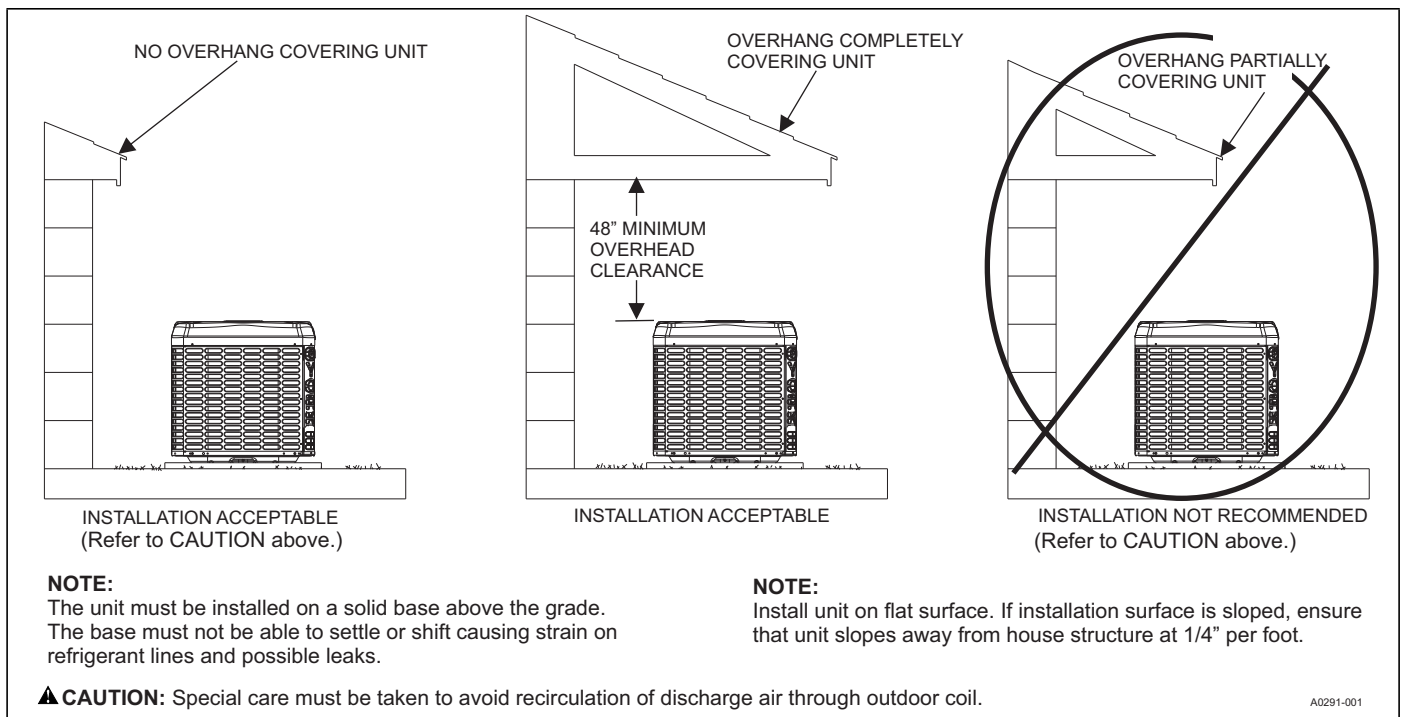
- Unit manufacturer shall provide a limited 10-Year compressor warranty without a requirement for unit registration.
- Unit manufacturer shall provide a limited 5-Year parts warranty extended to 10 years with registration.

**TYPICAL INSTALLATION**

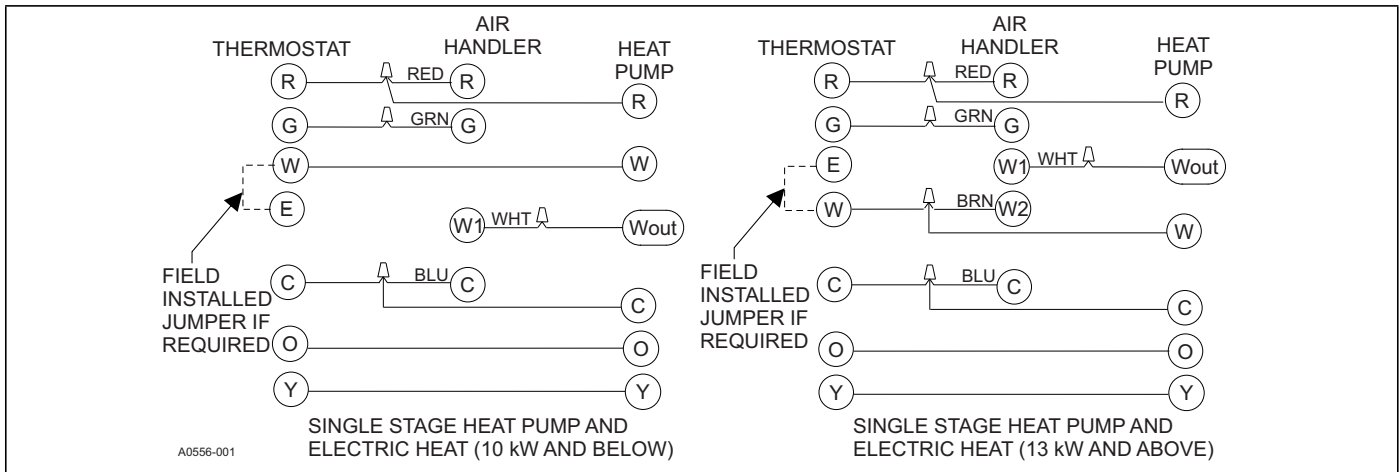


**CAUTION**

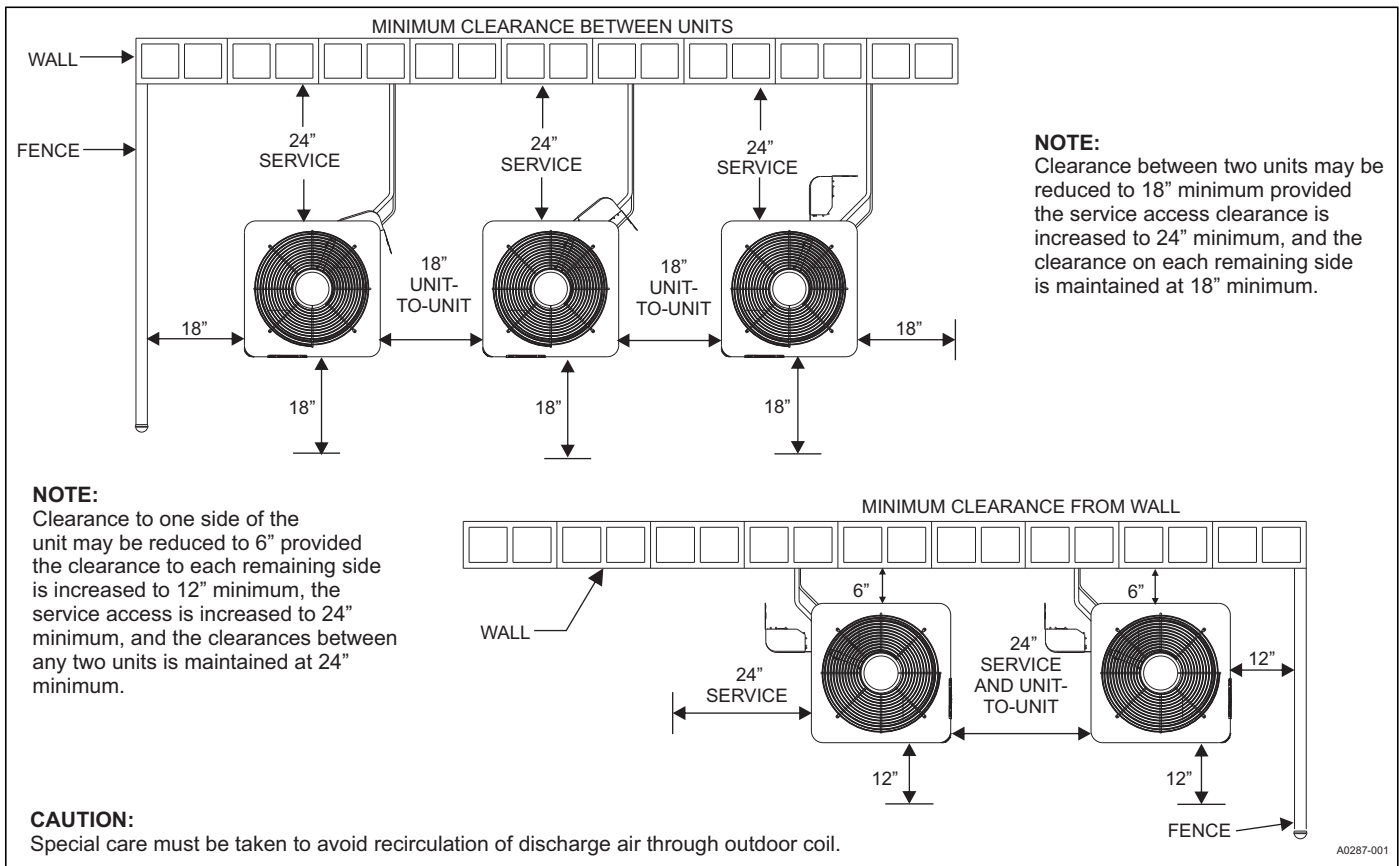
Care must be taken to prevent ice from damaging the unit. Damage may occur from ice falling onto unit from a sloped roof or from a vertical drip line due to a partial overhang.



**TYPICAL FIELD WIRING**



**ALTERNATIVE INSTALLATION CLEARANCES**





## PERFORMANCE DATA - 1.5 TON

CONDENSER-ONLY DATA (OUTDOOR UNIT)																
MODEL	SATURATED SUCTION @ COMPRESSOR		Outdoor Ambient Temperature													
			65 °F		75 °F		85 °F		95 °F		105 °F		115 °F		125 °F	
	T (°F)	P (PSIG)	MBH	KW	MBH	KW	MBH	KW	MBH	KW	MBH	KW	MBH	KW	MBH	KW
YEE18B21S	35	107	19.6	0.98	19.0	1.05	18.4	1.22	17.8	1.35	17.1	1.49	16.5	1.65	15.9	1.83
	40	119	21.3	0.96	20.7	1.04	20.0	1.21	19.3	1.36	18.6	1.50	17.9	1.66	17.2	1.84
	45	130	23.0	0.94	22.3	1.04	21.6	1.21	20.9	1.36	20.1	1.51	19.3	1.67	18.5	1.85
	50	143	24.7	0.93	24.0	1.03	23.2	1.21	22.4	1.37	21.6	1.52	20.7	1.68	19.8	1.86
	55	156	26.3	0.91	25.6	1.02	24.8	1.21	23.9	1.37	23.0	1.53	22.1	1.69	21.1	1.87

## Notes:

- For Outdoor Unit (Condenser) performance only. Data does not include the effects of air handler power or heat.
- Performance based on 15°F subcooling and 15°F superheat at the Outdoor Unit base valves.
  - Increase capacity by 1% for each 2°F increase in subcooling.
  - Decrease capacity by 1% for each 2°F decrease in subcooling.
- Maximum recommended condensing temperature is 140°F.

COOLING PERFORMANCE DATA																
AIR CONDITIONER MODEL NO.		YEE18B21S														
AIR TEMP. ENTERING OUTDOOR UNIT (°F)	IDCFM	450					600					750				
	ID DB (°F)	80	80	75	80	80	80	80	75	80	80	80	80	75	80	80
	ID WB (°F)	57	62	62	67	72	57	62	62	67	72	57	62	62	67	72
55	T.C.	16.8	18.7	18.9	20.5	22.7	18.2	19.6	19.7	21.5	23.5	19.7	20.5	20.5	22.4	24.3
	S.C.	16.8	15.3	13.1	13.0	10.5	18.2	17.3	14.5	14.4	11.3	19.7	19.3	15.9	15.9	12.1
	KW	1.05	1.03	1.03	1.01	0.98	1.08	1.07	1.07	1.05	1.03	1.12	1.11	1.11	1.09	1.07
65	T.C.	16.5	18.1	18.3	19.9	21.9	17.9	18.9	19.0	20.7	22.6	19.2	19.7	19.8	21.6	23.3
	S.C.	16.5	15.2	12.8	12.7	10.2	17.9	17.2	14.3	14.2	11.0	19.2	19.3	15.8	15.7	11.8
	KW	1.15	1.14	1.15	1.13	1.11	1.19	1.19	1.19	1.17	1.16	1.23	1.23	1.23	1.21	1.20
75	T.C.	16.1	17.4	17.5	19.2	21.1	17.4	18.2	18.2	19.9	21.7	18.6	18.9	18.9	20.7	22.4
	S.C.	16.1	14.9	12.4	12.4	9.8	17.4	16.9	13.9	13.9	10.6	18.6	18.9	15.4	15.4	11.4
	KW	1.28	1.28	1.28	1.27	1.25	1.32	1.32	1.32	1.31	1.30	1.37	1.37	1.37	1.36	1.35
85	T.C.	15.6	16.6	16.7	18.4	20.2	16.8	17.3	17.4	19.0	20.8	18.0	18.0	18.0	19.7	21.3
	S.C.	15.6	14.5	12.0	12.0	9.4	16.8	16.2	13.4	13.5	10.2	18.0	18.0	14.9	14.9	11.0
	KW	1.43	1.43	1.44	1.43	1.42	1.48	1.48	1.48	1.48	1.47	1.53	1.53	1.53	1.52	1.52
95	T.C.	14.9	15.8	15.9	17.4	19.2	16.0	16.4	16.4	18.0	19.7	17.1	17.0	16.9	18.6	20.3
	S.C.	14.9	13.9	11.5	11.5	9.0	16.0	15.4	12.8	12.9	9.8	17.1	17.0	14.1	14.4	10.5
	KW	1.61	1.61	1.61	1.61	1.60	1.66	1.66	1.66	1.66	1.65	1.71	1.71	1.72	1.71	1.70
105	T.C.	14.1	14.8	14.9	16.4	18.1	15.2	15.3	15.4	16.9	18.6	16.2	15.9	15.8	17.5	19.1
	S.C.	14.1	13.1	10.9	10.9	8.6	15.2	14.5	12.0	12.3	9.3	16.2	15.9	13.1	13.7	10.0
	KW	1.81	1.81	1.81	1.82	1.80	1.86	1.87	1.87	1.86	1.85	1.91	1.92	1.92	1.91	1.91
115	T.C.	13.2	13.7	13.9	15.2	17.0	14.2	14.2	14.2	15.7	17.4	15.2	14.7	14.5	16.3	17.9
	S.C.	13.2	12.2	10.3	10.2	8.2	14.2	13.5	11.1	11.6	8.8	15.2	14.7	12.0	12.9	9.4
	KW	2.03	2.04	2.03	2.04	2.02	2.08	2.09	2.09	2.09	2.08	2.13	2.15	2.15	2.13	2.13
125	T.C.	12.1	12.5	12.8	13.9	15.8	13.1	13.0	13.0	14.5	16.2	14.0	13.5	13.2	15.1	16.6
	S.C.	12.1	11.1	9.6	9.4	7.7	13.1	12.3	10.1	10.7	8.2	14.0	13.5	10.7	12.1	8.7
	KW	2.28	2.28	2.28	2.29	2.27	2.33	2.34	2.34	2.33	2.32	2.38	2.39	2.40	2.37	2.37

**NOTE:** ALL CAPACITIES INCLUDE INDOOR FAN HEAT. KW VALUES ARE FOR THE SYSTEM (OUTDOOR + INDOOR).

Green shaded cells are ACCA (TVA) conditions.

Blue shaded cells are AHRI conditions.

## Multipliers for determining the performance with other indoor sections.

**NOTE:** For dry bulb temperatures different than those listed (between 73-87 °F), sensible capacity increases by 1060 BTUH per 1000 CFM per degree above the listed temperature and decreases by 1060 BTUH per 1000 CFM per degree below the listed temperature.

**COIL MULTIPLIERS- 1.5 TON**

Air Handler	Coil	T.C.	S.C.	KW
AE18BX21	–	1.04	1.03	0.90
AVC18BX21	–	1.01	1.01	0.92
ME12BN21	CF/CM18B	1.01	1.01	0.92

**FURNACE MULTIPLIERS- 1.5 TON**

Furnaces	Coil	T.C.	S.C.	KW
TL8E060A12UH11	CF/CM/CU18B	1.01	1.01	0.92
TL9E060B12UH11	CF/CM/CU18B	1.01	1.00	0.92
TM8E040A12MP11	CF/CM18A	1.01	1.00	0.92
TM8E040A12MP11	CF/CM/CU18B	1.01	1.01	0.92
TM8E060A12MP11	CF/CM18A	1.01	1.00	0.92
TM8E080B12MP11	CF/CM/CU18B	1.01	1.01	0.92
TM8E100B12MP11	CF/CM/CU18B	1.01	1.01	0.92
TM8V060A12MP12C	CF/CM18A	1.01	1.00	0.92
TM8V060A12MP12C	CF/CM/CU18B	1.01	1.01	0.92
TM8V080B12MP12C	CF/CM/CU18B	1.01	1.00	0.92
TM8X060A12MP11	CF/CM18A	1.01	1.00	0.92
TM8X060A12MP11	CF/CM/CU18B	1.01	1.00	0.92
TM8X080B12MP11	CF/CM/CU18B	1.01	1.01	0.92
TM8Y060A12MP11	CF/CM18A	1.01	1.00	0.92
TM8Y060A12MP11	CF/CM/CU18B	1.01	1.00	0.92
TM8Y080B12MP11	CF/CM/CU18B	1.01	1.01	0.92
TM9E040A10MP12	CF/CM/CU18B	1.00	1.00	0.93
TM9E060A10MP12	CF/CM18A	1.00	1.00	0.93
TM9E060A10MP12	CF/CM/CU18B	1.01	1.00	0.92

**FURNACE MULTIPLIERS- 1.5 TON (Continued)**

Furnaces	Coil	T.C.	S.C.	KW
TM9E060B12MP11	CF/CM/CU18B	1.01	1.00	0.92
TM9E080B12MP11	CF/CM/CU18B	1.01	1.01	0.92
TM9V060B12MP12C	CF/CM/CU18B	1.01	1.00	0.92
TM9V080B12MP12C	CF/CM/CU18B	1.01	1.00	0.92
TM9Y060B12MP11	CF/CM/CU18B	1.01	1.00	0.92
TM9Y080B12MP11	CF/CM/CU18B	1.01	1.01	0.92
TMLE040A12MP11	CF/CM18A	1.01	1.00	0.92
TMLE040A12MP11	CF/CM/CU18B	1.01	1.01	0.92
TMLE060A12MP11	CF/CM18A	1.01	1.00	0.92
TMLE080B12MP11	CF/CM/CU18B	1.01	1.01	0.92
TMLE100B12MP11	CF/CM/CU18B	1.01	1.01	0.92
TMLV060A12MP12C	CF/CM18A	1.01	1.00	0.92
TMLV060A12MP12C	CF/CM/CU18B	1.01	1.01	0.92
TMLX060A12MP11	CF/CM18A	1.01	1.00	0.92
TMLX060A12MP11	CF/CM/CU18B	1.01	1.00	0.92
TMLX080B12MP11	CF/CM/CU18B	1.01	1.01	0.92
TP9C060B12MP13C	CF/CM/CU18B	1.01	1.00	0.92
TP9C080B12MP13C	CF/CM/CU18B	1.01	1.00	0.92
TPLC060A12MP13C	CF/CM18A	1.01	1.00	0.92
TPLC060A12MP13C	CF/CM/CU18B	1.01	1.01	0.92
TPLC080B12MP13C	CF/CM/CU18B	1.01	1.00	0.92
YP9C060B12MP13C	CF/CM/CU18B	1.01	1.00	0.92
YP9C080B12MP13C	CF/CM/CU18B	1.01	1.00	0.92
YPLC060A12MP13C	CF/CM18A	1.01	1.00	0.92
YPLC060A12MP13C	CF/CM/CU18B	1.01	1.01	0.92
YPLC080B12MP13C	CF/CM/CU18B	1.01	1.00	0.92

**HEATING PERFORMANCE DATA**

CONDENSING UNIT MODEL NO		YEE18B21S								
AIR TEMP. ENTERING OUTDOOR UNIT (°F)	AIR TEMP. ENTERING INDOOR COIL (°F)	ID CFM								
		450			600			750		
		MBH	COP	KW	MBH	COP	KW	MBH	COP	KW
60	60	19.4	3.85	1.47	20.2	4.12	1.43	21.0	4.41	1.39
	70	18.9	3.44	1.61	19.6	3.66	1.57	20.3	3.90	1.52
	80	18.4	3.09	1.75	19.0	3.28	1.70	19.6	3.48	1.65
47	60	16.7	3.46	1.41	17.3	3.65	1.39	18.0	3.86	1.37
	70	16.3	3.08	1.55	16.8	3.24	1.52	17.4	3.42	1.49
	80	15.8	2.76	1.68	16.3	2.90	1.65	16.8	3.04	1.62
40	60	15.2	3.23	1.38	15.8	3.39	1.37	16.4	3.55	1.35
	70	14.8	2.87	1.52	15.4	3.01	1.50	15.9	3.15	1.48
	80	14.5	2.57	1.65	14.9	2.68	1.63	15.3	2.80	1.60
30	60	13.2	2.89	1.33	13.7	3.00	1.33	14.2	3.11	1.33
	70	12.8	2.56	1.47	13.2	2.65	1.46	13.7	2.75	1.46
	80	12.5	2.29	1.60	12.8	2.37	1.59	13.2	2.45	1.58
17	60	10.5	2.41	1.27	10.8	2.46	1.29	11.2	2.51	1.31
	70	10.2	2.13	1.41	10.5	2.17	1.42	10.8	2.22	1.43
	80	9.9	1.89	1.54	10.2	1.93	1.55	10.4	1.97	1.55
10	60	9.0	2.13	1.24	9.3	2.15	1.27	9.6	2.18	1.30
	70	8.8	1.88	1.37	9.0	1.90	1.39	9.3	1.92	1.42
	80	8.6	1.67	1.51	8.8	1.69	1.52	8.9	1.70	1.53
0	60	6.9	1.70	1.19	7.2	1.70	1.24	7.4	1.69	1.28
	70	6.8	1.50	1.33	6.9	1.49	1.36	7.1	1.49	1.39
	80	6.6	1.33	1.46	6.7	1.32	1.49	6.8	1.32	1.51

**NOTE:** ALL CAPACITIES INCLUDE INDOOR FAN HEAT. KW VALUES ARE FOR THE SYSTEM (OUTDOOR + INDOOR).

Yellow shaded cells are AHRI High Heating conditions.

Orange shaded cells are AHRI Low Heating conditions.

**Multipliers for determining the performance with other indoor sections.**

**COIL MULTIPLIERS- 1.5 TON**

Air Handler	Coil	MBH	COP	KW
AE18BX21	–	0.95	1.05	0.90
AVC18BX21	–	0.93	1.07	0.87
ME12BN21	CF/CM18B	0.93	1.07	0.86

**FURNACE MULTIPLIERS- 1.5 TON**

Furnaces	Coil	MBH	COP	KW
TL8E060A12UH11	CF/CM/CU18B	0.94	1.06	0.88
TL9E060B12UH11	CF/CM/CU18B	0.93	1.05	0.89
TM8E040A12MP11	CF/CM18A	0.94	1.06	0.89
TM8E040A12MP11	CF/CM/CU18B	0.93	1.06	0.88
TM8E060A12MP11	CF/CM18A	0.94	1.06	0.89
TM8E080B12MP11	CF/CM/CU18B	0.94	1.06	0.88
TM8E100B12MP11	CF/CM/CU18B	0.94	1.06	0.88
TM8V060A12MP12C	CF/CM18A	0.94	1.06	0.89
TM8V060A12MP12C	CF/CM/CU18B	0.94	1.07	0.88
TM8V080B12MP12C	CF/CM/CU18B	0.93	1.05	0.89
TM8X060A12MP11	CF/CM18A	0.94	1.05	0.89
TM8X060A12MP11	CF/CM/CU18B	0.94	1.06	0.89
TM8X080B12MP11	CF/CM/CU18B	0.93	1.06	0.88
TM8Y060A12MP11	CF/CM18A	0.94	1.05	0.89
TM8Y060A12MP11	CF/CM/CU18B	0.94	1.06	0.89
TM8Y080B12MP11	CF/CM/CU18B	0.93	1.06	0.88
TM9E040A10MP12	CF/CM/CU18B	0.96	1.03	0.93
TM9E060A10MP12	CF/CM18A	0.96	1.04	0.92
TM9E060A10MP12	CF/CM/CU18B	0.94	1.05	0.89

**FURNACE MULTIPLIERS- 1.5 TON (Continued)**

Furnaces	Coil	MBH	COP	KW
TM9E060B12MP11	CF/CM/CU18B	0.93	1.05	0.89
TM9E080B12MP11	CF/CM/CU18B	0.94	1.06	0.88
TM9V060B12MP12C	CF/CM/CU18B	0.94	1.05	0.89
TM9V080B12MP12C	CF/CM/CU18B	0.94	1.06	0.88
TM9Y060B12MP11	CF/CM/CU18B	0.93	1.05	0.89
TM9Y080B12MP11	CF/CM/CU18B	0.94	1.06	0.88
TMLE040A12MP11	CF/CM18A	0.94	1.06	0.89
TMLE040A12MP11	CF/CM/CU18B	0.93	1.06	0.88
TMLE060A12MP11	CF/CM18A	0.94	1.06	0.89
TMLE080B12MP11	CF/CM/CU18B	0.94	1.06	0.88
TMLE100B12MP11	CF/CM/CU18B	0.94	1.06	0.88
TMLV060A12MP12C	CF/CM18A	0.94	1.06	0.89
TMLV060A12MP12C	CF/CM/CU18B	0.94	1.07	0.88
TMLX060A12MP11	CF/CM18A	0.94	1.05	0.89
TMLX060A12MP11	CF/CM/CU18B	0.94	1.06	0.89
TMLX080B12MP11	CF/CM/CU18B	0.93	1.06	0.88
TP9C060B12MP13C	CF/CM/CU18B	0.94	1.05	0.89
TP9C080B12MP13C	CF/CM/CU18B	0.94	1.06	0.88
TPLC060A12MP13C	CF/CM18A	0.94	1.06	0.89
TPLC060A12MP13C	CF/CM/CU18B	0.94	1.07	0.88
TPLC080B12MP13C	CF/CM/CU18B	0.93	1.05	0.89
YP9C060B12MP13C	CF/CM/CU18B	0.94	1.05	0.89
YP9C080B12MP13C	CF/CM/CU18B	0.94	1.06	0.88
YPLC060A12MP13C	CF/CM18A	0.94	1.06	0.89
YPLC060A12MP13C	CF/CM/CU18B	0.94	1.07	0.88
YPLC080B12MP13C	CF/CM/CU18B	0.93	1.05	0.89

**PERFORMANCE DATA - 2 TON**

CONDENSER-ONLY DATA (OUTDOOR UNIT)																
MODEL	SATURATED SUCTION @ COMPRESSOR		Outdoor Ambient Temperature													
			65 °F		75 °F		85 °F		95 °F		105 °F		115 °F		125 °F	
	T (°F)	P (PSIG)	MBH	KW	MBH	KW	MBH	KW	MBH	KW	MBH	KW	MBH	KW	MBH	KW
YEE24B21S	35	107	22.0	1.25	20.6	1.41	19.0	1.57	17.6	1.77	15.9	2.25	14.0	2.23	12.0	2.50
	40	119	24.6	1.26	23.0	1.42	21.3	1.58	19.6	1.78	17.7	2.26	15.8	2.24	13.6	2.51
	45	130	27.1	1.26	25.3	1.42	23.5	1.59	21.7	1.79	19.6	2.28	17.5	2.25	15.1	2.51
	50	143	29.6	1.27	27.7	1.43	25.7	1.61	23.7	1.81	21.5	2.29	19.2	2.26	16.7	2.52
	55	156	32.2	1.27	30.1	1.44	27.9	1.62	25.8	1.82	23.4	2.30	20.9	2.27	18.3	2.53

**Notes:**

- For Outdoor Unit (Condenser) performance only. Data does not include the effects of air handler power or heat.
- Performance based on 15°F subcooling and 15°F superheat at the Outdoor Unit base valves.
  - Increase capacity by 1% for each 2°F increase in subcooling.
  - Decrease capacity by 1% for each 2°F decrease in subcooling.
- Maximum recommended condensing temperature is 140°F.

COOLING PERFORMANCE DATA																
AIR CONDITIONER MODEL NO.		YEE24B21S														
AIR TEMP. ENTERING OUTDOOR UNIT (°F)	IDCFM	600					800					1000				
	ID DB (°F)	80	80	75	80	80	80	80	75	80	80	80	80	75	80	80
	ID WB (°F)	57	62	62	67	72	57	62	62	67	72	57	62	62	67	72
55	T.C.	22.6	24.8	24.7	27.2	29.7	24.3	25.9	25.8	28.3	30.7	26.2	27.0	26.9	29.4	31.7
	S.C.	22.6	19.9	16.7	16.7	13.8	24.3	23.1	18.1	18.8	14.9	26.2	26.2	19.6	20.8	16.0
	KW	1.4	1.4	1.4	1.3	1.3	1.4	1.4	1.4	1.4	1.4	1.5	1.5	1.5	1.5	1.4
65	T.C.	21.8	23.8	23.7	26.2	28.7	23.5	24.8	24.8	27.2	29.6	25.2	25.8	25.8	28.2	30.6
	S.C.	21.8	19.6	16.4	16.6	13.5	23.5	22.5	18.1	18.7	14.7	25.2	25.4	19.8	20.8	15.9
	KW	1.5	1.5	1.5	1.5	1.5	1.6	1.6	1.6	1.6	1.5	1.6	1.6	1.6	1.6	1.6
75	T.C.	21.0	22.7	22.7	25.1	27.5	22.6	23.7	23.6	26.0	28.5	24.3	24.6	24.6	26.9	29.4
	S.C.	21.0	19.1	16.1	16.3	13.2	22.6	21.8	18.0	18.5	14.4	24.3	24.5	19.8	20.7	15.7
	KW	1.7	1.7	1.7	1.7	1.7	1.8	1.8	1.8	1.8	1.7	1.8	1.8	1.8	1.8	1.8
85	T.C.	20.2	21.5	21.5	23.9	26.3	21.6	22.5	22.4	24.7	27.2	23.3	23.4	23.3	25.6	28.0
	S.C.	20.2	18.6	15.7	15.9	12.8	21.6	21.0	17.7	18.2	14.1	23.3	23.4	19.7	20.5	15.4
	KW	1.9	1.9	1.9	1.9	1.9	2.0	2.0	2.0	2.0	2.0	2.0	2.0	2.1	2.0	2.0
95	T.C.	19.2	20.3	20.4	22.6	24.9	20.6	21.3	21.2	23.4	25.7	22.2	22.2	22.0	24.1	26.6
	S.C.	19.2	18.0	15.3	15.5	12.3	20.6	20.1	17.3	17.8	13.7	22.2	22.2	19.4	20.0	15.0
	KW	2.2	2.2	2.2	2.2	2.2	2.2	2.2	2.2	2.2	2.2	2.3	2.3	2.3	2.3	2.3
105	T.C.	18.2	19.1	19.1	21.2	23.5	19.6	20.0	19.8	21.9	24.2	21.1	20.9	20.5	22.6	24.9
	S.C.	18.2	17.3	14.7	15.0	11.8	19.6	19.1	16.8	17.2	13.1	21.1	20.9	18.9	19.4	14.4
	KW	2.4	2.4	2.4	2.5	2.4	2.5	2.5	2.5	2.5	2.5	2.6	2.6	2.6	2.6	2.6
115	T.C.	17.2	17.8	17.9	19.8	21.9	18.5	18.7	18.5	20.4	22.5	20.0	19.6	19.0	21.0	23.2
	S.C.	17.2	16.6	14.1	14.3	11.2	18.5	18.1	16.2	16.5	12.5	20.0	19.6	18.3	18.6	13.8
	KW	2.8	2.8	2.8	2.8	2.8	2.8	2.8	2.8	2.8	2.8	2.9	2.9	2.9	2.9	2.9
125	T.C.	16.1	16.5	16.5	18.3	20.3	17.3	17.4	17.0	18.8	20.8	18.8	18.3	17.5	19.2	21.2
	S.C.	16.1	15.7	13.3	13.5	10.5	17.3	17.0	15.4	15.6	11.7	18.8	18.3	17.5	17.7	12.9
	KW	3.1	3.1	3.1	3.1	3.1	3.2	3.2	3.2	3.2	3.2	3.2	3.2	3.2	3.3	3.2

NOTE: ALL CAPACITIES INCLUDE INDOOR FAN HEAT. KW VALUES ARE FOR THE SYSTEM (OUTDOOR + INDOOR).

Green shaded cells are ACCA (TVA) conditions.

Blue shaded cells are AHRI conditions.

### Multipliers for determining the performance with other indoor sections.

NOTE: For dry bulb temperatures different than those listed (between 73-87 °F), sensible capacity increases by 1060 BTUH per 1000 CFM per degree above the listed temperature and decreases by 1060 BTUH per 1000 CFM per degree below the listed temperature.

### COIL MULTIPLIERS - 2 TON

Air Handler	Coil	T.C.	S.C.	KW
AE24BX21	–	1.06	0.99	0.92
AVC24BX21	–	1.02	0.98	0.93
ME08BN21	CF/CM24B	1.02	0.98	0.93
ME12BN21	CF/CM24B	1.02	0.98	0.91
MVC12BN21	CF/CM24B	1.02	0.98	0.93

### FURNACE MULTIPLIERS - 2 TON

Furnaces	Coil	T.C.	S.C.	KW
TL8E060A12UH11	CF/CM/CU24B	1.02	0.99	0.95
TM8E040A12MP11	CF/CM/CU24B	1.02	0.99	0.93
TM8E060A12MP11	CF/CM/CU24B	1.02	0.98	0.95
TM8E080B12MP11	CF/CM/CU24B	1.01	0.98	0.94
TM8E100B12MP11	CF/CM/CU24B	1.01	0.94	0.95
TM8V060A12MP12C	CF/CM/CU24B	1.02	0.99	0.95
TM8X080B12MP11	CF/CM/CU24B	1.01	0.98	0.94
TM8Y080B12MP11	CF/CM/CU24B	1.01	0.98	0.94
TM9E080B12MP11	CF/CM/CU24B	1.02	0.99	0.95
TM9Y080B12MP11	CF/CM/CU24B	1.02	0.99	0.95
TMLE040A12MP11	CF/CM/CU24B	1.02	0.99	0.93
TMLE060A12MP11	CF/CM/CU24B	1.02	0.98	0.95
TMLE080B12MP11	CF/CM/CU24B	1.01	0.98	0.94
TMLE100B12MP11	CF/CM/CU24B	1.01	0.94	0.95
TMLV060A12MP12C	CF/CM/CU24B	1.02	0.99	0.95
TMLX080B12MP11	CF/CM/CU24B	1.01	0.98	0.94
TPLC060A12MP13C	CF/CM/CU24B	1.02	0.99	0.95
YPLC060A12MP13C	CF/CM/CU24B	1.02	0.99	0.95

HEATING PERFORMANCE DATA										
CONDENSING UNIT MODEL NO		YEE24B21S								
AIR TEMP. ENTERING OUTDOOR UNIT (°F)	AIR TEMP. ENTERING INDOOR COIL (°F)	ID CFM								
		600			800			1000		
		MBH	COP	KW	MBH	COP	KW	MBH	COP	KW
60	60	27.2	4.1	1.9	27.8	4.4	1.9	28.5	4.6	1.8
	70	26.2	3.6	2.1	27.0	3.9	2.0	27.8	4.1	2.0
	80	25.8	3.3	2.3	26.6	3.5	2.2	27.3	3.7	2.2
47	60	23.0	3.6	1.9	25.8	4.2	1.8	28.5	4.7	1.8
	70	22.3	3.2	2.0	22.9	3.4	2.0	23.5	3.6	1.9
	80	22.0	2.9	2.2	22.5	3.0	2.2	22.9	3.2	2.1
40	60	21.0	3.4	1.8	24.7	4.1	1.8	28.5	4.8	1.8
	70	20.4	3.0	2.0	20.9	3.1	1.9	21.4	3.3	1.9
	80	20.1	2.7	2.2	20.4	2.8	2.1	20.7	2.9	2.1
30	60	18.2	3.0	1.8	23.3	3.9	1.7	28.5	4.8	1.7
	70	17.7	2.7	1.9	18.1	2.8	1.9	18.5	2.9	1.9
	80	17.3	2.4	2.1	17.5	2.5	2.1	17.8	2.6	2.0
17	60	14.9	2.6	1.7	21.7	3.8	1.7	28.5	4.9	1.7
	70	14.4	2.3	1.8	14.8	2.4	1.8	15.2	2.4	1.8
	80	13.7	2.0	2.0	14.1	2.1	2.0	14.4	2.1	2.0
10	60	13.3	2.4	1.6	20.9	3.7	1.7	28.5	5.0	1.7
	70	12.8	2.1	1.8	13.1	2.1	1.8	13.5	2.2	1.8
	80	11.9	1.8	1.9	12.3	1.9	2.0	12.7	1.9	2.0
0	60	11.1	2.1	1.6	19.8	3.6	1.6	28.5	5.1	1.6
	70	10.5	1.8	1.7	10.9	1.8	1.7	11.3	1.9	1.8
	80	9.3	1.5	1.9	10.0	1.5	1.9	10.6	1.6	1.9

**NOTE:** ALL CAPACITIES INCLUDE INDOOR FAN HEAT. KW VALUES ARE FOR THE SYSTEM (OUTDOOR + INDOOR).

Yellow shaded cells are AHRI High Heating conditions.

Orange shaded cells are AHRI Low Heating conditions.

**Multipliers for determining the performance with other indoor sections.**

#### COIL MULTIPLIERS - 2 TON

Air Handler	Coil	MBH	COP	KW
AE24BX21	–	0.96	1.06	0.90
AVC24BX21	–	0.97	1.08	0.90
ME08BN21	CF/CM24B	0.96	1.07	0.90
ME12BN21	CF/CM24B	0.98	1.09	0.90
MVC12BN21	CF/CM24B	0.97	1.09	0.89

#### FURNACE MULTIPLIERS - 2 TON

Furnaces	Coil	MBH	COP	KW
TL8E060A12UH11	CF/CM/CU24B	0.98	1.07	0.92
TM8E040A12MP11	CF/CM/CU24B	0.98	1.07	0.91
TM8E060A12MP11	CF/CM/CU24B	0.98	1.07	0.92
TM8E080B12MP11	CF/CM/CU24B	0.98	1.07	0.91
TM8E100B12MP11	CF/CM/CU24B	0.98	1.07	0.91
TM8V060A12MP12C	CF/CM/CU24B	0.99	1.07	0.92
TM8X080B12MP11	CF/CM/CU24B	0.98	1.07	0.92
TM8Y080B12MP11	CF/CM/CU24B	0.98	1.07	0.92
TM9E080B12MP11	CF/CM/CU24B	0.98	1.07	0.92
TM9Y080B12MP11	CF/CM/CU24B	0.98	1.07	0.92
TMLE040A12MP11	CF/CM/CU24B	0.98	1.07	0.91
TMLE060A12MP11	CF/CM/CU24B	0.98	1.07	0.92
TMLE080B12MP11	CF/CM/CU24B	0.98	1.07	0.91
TMLE100B12MP11	CF/CM/CU24B	0.98	1.07	0.91
TMLV060A12MP12C	CF/CM/CU24B	0.98	1.07	0.92
TMLX080B12MP11	CF/CM/CU24B	0.98	1.07	0.92
TPLC060A12MP13C	CF/CM/CU24B	0.98	1.07	0.92
YPLC060A12MP13C	CF/CM/CU24B	0.98	1.07	0.92

## PERFORMANCE DATA - 2.5 TON

CONDENSER-ONLY DATA (OUTDOOR UNIT)																
MODEL	SATURATED SUCTION @ COMPRESSOR		Outdoor Ambient Temperature													
			65 °F		75 °F		85 °F		95 °F		105 °F		115 °F		125 °F	
	T (°F)	P (PSIG)	MBH	KW	MBH	KW	MBH	KW	MBH	KW	MBH	KW	MBH	KW	MBH	KW
YEE30B21S	35	107	26.6	1.41	25.3	2.68	24.0	1.82	21.7	2.02	19.6	2.26	17.4	2.52	15.2	2.83
	40	119	29.8	1.43	28.2	2.85	26.7	1.83	24.3	2.04	22.0	2.27	19.6	2.54	17.2	2.84
	45	130	33.0	1.45	31.1	3.02	29.5	1.85	26.8	2.05	24.4	2.29	21.8	2.55	19.2	2.86
	50	143	36.2	1.48	34.1	3.19	32.2	1.86	29.4	2.07	26.8	2.30	24.0	2.57	21.2	2.87
	55	156	39.3	1.50	37.0	3.36	35.0	1.88	32.0	2.08	29.1	2.32	26.2	2.58	23.2	2.89

## Notes:

- For Outdoor Unit (Condenser) performance only. Data does not include the effects of air handler power or heat.
- Performance based on 15°F subcooling and 15°F superheat at the Outdoor Unit base valves.
  - Increase capacity by 1% for each 2°F increase in subcooling.
  - Decrease capacity by 1% for each 2°F decrease in subcooling.
- Maximum recommended condensing temperature is 140°F.

COOLING PERFORMANCE DATA																
AIR CONDITIONER MODEL NO.		YEE30B21S														
AIR TEMP. ENTERING OUTDOOR UNIT (°F)	IDCFM	750					1000					1250				
	ID DB (°F)	80	80	75	80	80	80	80	75	80	80	80	80	75	80	80
	ID WB (°F)	57	62	62	67	72	57	62	62	67	72	57	62	62	67	72
55	T.C.	26.2	28.8	28.7	31.5	34.0	28.2	30.1	30.1	32.7	34.8	30.4	31.4	31.4	33.8	35.5
	S.C.	26.2	23.8	20.4	20.5	16.6	28.2	27.1	22.8	22.5	17.4	30.4	30.4	25.2	24.5	18.1
	KW	1.6	1.6	1.6	1.6	1.5	1.7	1.7	1.7	1.6	1.6	1.7	1.7	1.7	1.7	1.7
65	T.C.	25.5	27.8	27.9	30.6	33.2	27.5	29.1	29.1	31.7	34.1	29.8	30.5	30.3	32.8	35.0
	S.C.	25.5	23.5	20.2	20.3	16.4	27.5	26.9	22.7	22.5	17.4	29.8	30.2	25.1	24.6	18.5
	KW	1.7	1.7	1.7	1.7	1.7	1.8	1.8	1.8	1.8	1.8	1.9	1.9	1.9	1.9	1.9
75	T.C.	24.7	26.7	26.8	29.5	32.2	26.7	28.0	27.9	30.6	33.1	29.0	29.4	29.0	31.7	34.1
	S.C.	24.7	23.1	19.9	20.0	16.1	26.7	26.2	22.4	22.3	17.4	29.0	29.4	24.8	24.5	18.6
	KW	1.9	1.9	1.9	1.9	1.9	2.0	2.0	2.0	2.0	2.0	2.1	2.1	2.1	2.1	2.1
85	T.C.	23.8	25.5	25.7	28.3	31.0	25.8	26.8	26.7	29.3	32.0	28.0	28.2	27.7	30.3	33.0
	S.C.	23.8	22.6	19.5	19.6	15.8	25.8	25.4	22.0	21.9	17.2	28.0	28.2	24.4	24.3	18.6
	KW	2.1	2.1	2.1	2.1	2.1	2.2	2.2	2.2	2.2	2.2	2.3	2.3	2.3	2.3	2.3
95	T.C.	22.9	24.2	24.5	27.0	29.7	24.8	25.5	25.3	27.9	30.6	26.9	26.8	26.2	28.9	31.5
	S.C.	22.9	21.9	18.9	19.0	15.3	24.8	24.4	21.4	21.4	16.9	26.9	26.8	23.9	23.8	18.4
	KW	2.4	2.4	2.4	2.4	2.4	2.5	2.5	2.5	2.5	2.5	2.6	2.6	2.6	2.6	2.6
105	T.C.	21.8	22.9	23.1	25.6	28.3	23.6	24.1	23.9	26.4	29.1	25.6	25.4	24.7	27.2	29.8
	S.C.	21.8	21.2	18.2	18.3	14.7	23.6	23.3	20.7	20.7	16.4	25.6	25.4	23.1	23.1	18.0
	KW	2.6	2.6	2.7	2.7	2.6	2.7	2.7	2.7	2.7	2.7	2.8	2.8	2.8	2.8	2.8
115	T.C.	20.7	21.5	21.6	24.0	26.7	22.3	22.6	22.3	24.7	27.3	24.2	23.8	23.0	25.4	27.9
	S.C.	20.7	20.3	17.4	17.5	14.0	22.3	22.1	19.8	19.9	15.7	24.2	23.8	22.2	22.2	17.4
	KW	2.9	2.9	3.0	2.9	2.9	3.0	3.0	3.0	3.0	3.0	3.1	3.1	3.1	3.1	3.1
125	T.C.	19.5	20.0	20.0	22.3	24.9	20.9	21.0	20.6	22.9	25.2	22.6	22.0	21.3	23.5	25.6
	S.C.	19.5	19.4	16.4	16.6	13.2	20.9	20.7	18.8	18.9	14.8	22.6	22.0	21.1	21.1	16.4
	KW	3.3	3.3	3.3	3.3	3.3	3.3	3.3	3.4	3.4	3.4	3.4	3.4	3.4	3.4	3.5

NOTE: ALL CAPACITIES INCLUDE INDOOR FAN HEAT. KW VALUES ARE FOR THE SYSTEM (OUTDOOR + INDOOR).

Green shaded cells are ACCA (TVA) conditions.

Blue shaded cells are AHRI conditions.

## Multipliers for determining the performance with other indoor sections.

NOTE: For dry bulb temperatures different than those listed (between 73-87 °F), sensible capacity increases by 1060 BTUH per 1000 CFM per degree above the listed temperature and decreases by 1060 BTUH per 1000 CFM per degree below the listed temperature.

**COIL MULTIPLIERS - 2.5 TON**

Air Handler	Coil	T.C.	S.C.	KW
AE30BX21	–	1.04	1.00	0.95
AVC30BX21	–	1.03	0.91	0.93
ME12BN21	CF/CM30B	1.03	0.87	0.93
ME12CN21	CF/CM30C	1.03	0.88	0.91
ME16CN21	CF/CM30C	1.03	0.85	0.91
MVC12BN21	CF/CM30B	1.03	0.83	0.94
MVC12CN21	CF/CM30C	1.04	0.84	0.91
MVC16CN21	CF/CM30C	1.04	0.85	0.92

**FURNACE MULTIPLIERS - 2.5 TON**

Furnaces	Coil	T.C.	S.C.	KW
TL8E060A12UH11	CF/CM/CU30B	1.02	0.86	0.96
TL8E060A12UH11	CF/CM30C	1.03	0.92	0.95
TL8E080C16UH11	CF/CM30C	1.03	0.90	0.93
TL8E100C20UH11	CF/CM30C	1.03	0.87	0.91
TL9E060B12UH11	CF/CM/CU30B	1.02	0.92	0.96
TL9E060B12UH11	CF/CM30C	1.02	0.92	0.96
TL9E080C16UH11	CF/CM30C	1.03	0.91	0.93
TL9E100C20UH11	CF/CM30C	1.04	0.85	0.93
TM8E040A12MP11	CF/CM30A	1.02	0.94	0.96
TM8E040A12MP11	CF/CM/CU30B	1.02	0.96	0.93
TM8E060A12MP11	CF/CM30A	1.02	0.92	0.94
TM8E060A12MP11	CF/CM/CU30B	1.03	0.87	0.95
TM8E080B12MP11	CF/CM/CU30B	1.02	0.86	0.96
TM8E080B12MP11	CF/CM30C	1.02	0.86	0.94
TM8E080C16MP11	CF/CM30C	1.03	0.85	0.93
TM8E100B12MP11	CF/CM/CU30B	1.03	0.93	0.95
TM8E100B12MP11	CF/CM30C	1.02	0.85	0.94
TM8E100C16MP11	CF/CM30C	1.03	0.85	0.93
TM8E120C16MP11	CF/CM30C	1.03	0.85	0.93
TM8V060A12MP12C	CF/CM30A	1.02	0.94	0.96
TM8V060A12MP12C	CF/CM/CU30B	1.02	0.86	0.96
TM8V080B12MP12C	CF/CM/CU30B	1.02	0.92	0.96
TM8V080B12MP12C	CF/CM30C	1.02	0.92	0.94
TM8V080C16MP12C	CF/CM30C	1.03	0.85	0.95
TM8V100C16MP12C	CF/CM30C	1.03	0.85	0.95
TM8V100C20MP12C	CF/CM30C	1.03	0.85	0.93
TM8V120C20MP12C	CF/CM30C	1.03	0.85	0.93
TM8X060A12MP11	CF/CM30A	1.02	0.96	0.96
TM8X060A12MP11	CF/CM/CU30B	1.02	0.94	0.94
TM8X080B12MP11	CF/CM/CU30B	1.03	0.89	0.95
TM8X080B12MP11	CF/CM30C	1.03	0.89	0.95
TM8X080C16MP11	CF/CM30C	1.03	0.85	0.93
TM8X100C16MP11	CF/CM30C	1.03	0.85	0.93
TM8X100C20MP11	CF/CM30C	1.03	0.88	0.91
TM8X120C20MP11	CF/CM30C	1.03	0.88	0.91
TM8Y060A12MP11	CF/CM30A	1.02	0.96	0.96
TM8Y060A12MP11	CF/CM/CU30B	1.02	0.94	0.94
TM8Y080B12MP11	CF/CM/CU30B	1.03	0.89	0.95
TM8Y080B12MP11	CF/CM30C	1.03	0.89	0.95
TM8Y080C16MP11	CF/CM30C	1.03	0.85	0.93
TM8Y100C16MP11	CF/CM30C	1.03	0.85	0.93
TM8Y100C20MP11	CF/CM30C	1.03	0.88	0.91
TM8Y120C20MP11	CF/CM30C	1.03	0.88	0.91
TM9E040A10MP12	CF/CM30A	1.01	0.93	0.97

**FURNACE MULTIPLIERS - 2.5 TON (Continued)**

Furnaces	Coil	T.C.	S.C.	KW
TM9E040A10MP12	CF/CM/CU30B	1.01	0.93	0.96
TM9E060A10MP12	CF/CM30A	1.02	0.94	0.96
TM9E060A10MP12	CF/CM/CU30B	1.02	0.92	0.96
TM9E060B12MP11	CF/CM/CU30B	1.02	0.92	0.96
TM9E060B12MP11	CF/CM30C	1.02	0.91	0.94
TM9E060B12MP12	CF/CM/CU30B	1.02	0.89	0.96
TM9E060B12MP12	CF/CM30C	1.02	0.89	0.96
TM9E080B12MP11	CF/CM/CU30B	1.03	0.92	0.95
TM9E080B12MP11	CF/CM30C	1.02	0.87	0.94
TM9E080B12MP12	CF/CM/CU30B	1.03	0.95	0.95
TM9E080B12MP12	CF/CM30C	1.02	0.85	0.96
TM9E080C16MP11	CF/CM30C	1.03	0.85	0.94
TM9E080C16MP12	CF/CM30C	1.03	0.86	0.94
TM9E100C16MP11	CF/CM30C	1.02	0.84	0.94
TM9E100C16MP12	CF/CM30C	1.03	0.86	0.94
TM9E100C20MP11	CF/CM30C	1.03	0.83	0.94
TM9E100C20MP12	CF/CM30C	1.04	0.84	0.93
TM9V040A10MP12C	CF/CM30A	1.01	0.93	0.97
TM9V040A10MP12C	CF/CM/CU30B	1.02	0.94	0.96
TM9V060B12MP12C	CF/CM/CU30B	1.02	0.91	0.96
TM9V060B12MP12C	CF/CM30C	1.02	0.91	0.94
TM9V080B12MP12C	CF/CM/CU30B	1.02	0.85	0.95
TM9V080B12MP12C	CF/CM30C	1.02	0.86	0.96
TM9V080C16MP12C	CF/CM30C	1.02	0.85	0.94
TM9V100C16MP12C	CF/CM30C	1.03	0.83	0.94
TM9V100C20MP12C	CF/CM30C	1.03	0.85	0.95
TM9Y060B12MP11	CF/CM/CU30B	1.02	0.92	0.96
TM9Y060B12MP11	CF/CM30C	1.02	0.91	0.94
TM9Y080B12MP11	CF/CM/CU30B	1.03	0.92	0.95
TM9Y080B12MP11	CF/CM30C	1.02	0.87	0.94
TM9Y080C16MP11	CF/CM30C	1.03	0.85	0.94
TM9Y100C16MP11	CF/CM30C	1.02	0.84	0.94
TM9Y100C20MP11	CF/CM30C	1.03	0.83	0.94
TMLE040A12MP11	CF/CM30A	1.02	0.94	0.96
TMLE040A12MP11	CF/CM/CU30B	1.02	0.96	0.93
TMLE060A12MP11	CF/CM30A	1.02	0.92	0.94
TMLE060A12MP11	CF/CM/CU30B	1.03	0.87	0.95
TMLE080B12MP11	CF/CM/CU30B	1.02	0.86	0.96
TMLE080B12MP11	CF/CM30C	1.02	0.86	0.94
TMLE080C16MP11	CF/CM30C	1.03	0.85	0.93
TMLE100B12MP11	CF/CM/CU30B	1.03	0.93	0.95
TMLE100B12MP11	CF/CM30C	1.02	0.85	0.94
TMLE100C16MP11	CF/CM30C	1.03	0.85	0.93
TMLE120C16MP11	CF/CM30C	1.03	0.85	0.93
TMLV060A12MP12C	CF/CM30A	1.02	0.94	0.96
TMLV060A12MP12C	CF/CM/CU30B	1.02	0.86	0.96
TMLV100C16MP12C	CF/CM30C	1.03	0.85	0.95
TMLV120C20MP12C	CF/CM30C	1.03	0.85	0.93
TMLX060A12MP11	CF/CM30A	1.02	0.96	0.96
TMLX060A12MP11	CF/CM/CU30B	1.02	0.94	0.94
TMLX080B12MP11	CF/CM/CU30B	1.03	0.89	0.95
TMLX080B12MP11	CF/CM30C	1.03	0.89	0.95
TMLX080C16MP11	CF/CM30C	1.03	0.85	0.93
TMLX100C20MP11	CF/CM30C	1.03	0.88	0.91
TMLX120C20MP11	CF/CM30C	1.03	0.88	0.91

## FURNACE MULTIPLIERS - 2.5 TON (Continued)

Furnaces	Coil	T.C.	S.C.	KW
TP9C060B12MP13C	CF/CM/CU30B	1.02	0.91	0.96
TP9C060B12MP13C	CF/CM30C	1.02	0.91	0.94
TP9C080B12MP13C	CF/CM/CU30B	1.02	0.85	0.95
TP9C080B12MP13C	CF/CM30C	1.02	0.86	0.96
TP9C080C16MP13C	CF/CM30C	1.02	0.85	0.94
TP9C100C16MP13C	CF/CM30C	1.03	0.83	0.94
TP9C100C20MP13C	CF/CM30C	1.03	0.85	0.95
TPLC060A12MP13C	CF/CM30A	1.02	0.94	0.96
TPLC060A12MP13C	CF/CM/CU30B	1.02	0.86	0.96
TPLC080B12MP13C	CF/CM/CU30B	1.02	0.92	0.96
TPLC080B12MP13C	CF/CM30C	1.02	0.92	0.94
TPLC080C16MP13C	CF/CM30C	1.03	0.85	0.95
TPLC100C16MP13C	CF/CM30C	1.03	0.85	0.95
TPLC100C20MP13C	CF/CM30C	1.03	0.85	0.93
YP9C060B12MP13C	CF/CM/CU30B	1.02	0.91	0.96
YP9C060B12MP13C	CF/CM30C	1.02	0.91	0.94

## FURNACE MULTIPLIERS - 2.5 TON (Continued)

Furnaces	Coil	T.C.	S.C.	KW
YP9C080B12MP13C	CF/CM/CU30B	1.02	0.85	0.95
YP9C080B12MP13C	CF/CM30C	1.02	0.86	0.96
YP9C080C16MP13C	CF/CM30C	1.02	0.85	0.94
YP9C100C16MP13C	CF/CM30C	1.03	0.83	0.94
YP9C100C20MP13C	CF/CM30C	1.03	0.85	0.95
YPLC060A12MP13C	CF/CM30A	1.02	0.94	0.96
YPLC060A12MP13C	CF/CM/CU30B	1.02	0.86	0.96
YPLC080B12MP13C	CF/CM/CU30B	1.02	0.92	0.96
YPLC080B12MP13C	CF/CM30C	1.02	0.92	0.94
YPLC080C16MP13C	CF/CM30C	1.03	0.85	0.95
YPLC100C16MP13C	CF/CM30C	1.03	0.85	0.95
YPLC100C20MP13C	CF/CM30C	1.03	0.85	0.93
YPLC120C20MP13C	CF/CM30C	1.03	0.85	0.93

HEATING PERFORMANCE DATA										
CONDENSING UNIT MODEL NO		YEE30B21S								
AIR TEMP. ENTERING OUTDOOR UNIT (°F)	AIR TEMP. ENTERING INDOOR COIL (°F)	ID CFM								
		750			1000			1250		
		MBH	COP	KW	MBH	COP	KW	MBH	COP	KW
60	60	34.2	4.1	2.4	34.8	4.3	2.4	35.4	4.5	2.3
	70	33.1	3.7	2.7	34.1	3.9	2.6	35.0	4.1	2.5
	80	32.2	3.3	2.9	33.1	3.5	2.8	34.0	3.7	2.7
47	60	29.1	3.7	2.3	29.6	3.8	2.3	30.2	4.0	2.2
	70	28.2	3.3	2.5	29.0	3.5	2.5	29.8	3.6	2.4
	80	27.2	2.9	2.8	28.0	3.1	2.7	28.8	3.2	2.6
40	60	26.4	3.4	2.2	26.9	3.6	2.2	27.4	3.7	2.2
	70	25.6	3.1	2.4	26.4	3.2	2.4	27.1	3.3	2.4
	80	24.7	2.7	2.7	25.4	2.8	2.6	26.2	3.0	2.6
30	60	22.7	3.1	2.2	23.2	3.2	2.2	23.7	3.2	2.1
	70	22.0	2.8	2.3	22.6	2.9	2.3	23.2	3.0	2.3
	80	21.2	2.4	2.6	21.9	2.5	2.5	22.5	2.6	2.5
17	60	18.1	2.6	2.0	18.6	2.6	2.1	19.0	2.7	2.1
	70	17.4	2.3	2.2	17.9	2.4	2.2	18.4	2.4	2.2
	80	16.9	2.0	2.4	17.5	2.1	2.4	18.0	2.2	2.4
10	60	15.7	2.3	2.0	16.2	2.4	2.0	16.6	2.4	2.0
	70	14.9	2.1	2.1	15.4	2.1	2.2	15.9	2.1	2.2
	80	14.7	1.8	2.4	15.2	1.9	2.4	15.7	1.9	2.4
0	60	12.5	1.9	1.9	12.9	1.9	1.9	13.4	2.0	2.0
	70	11.5	1.7	2.0	11.9	1.7	2.1	12.3	1.7	2.1
	80	11.8	1.5	2.2	12.1	1.6	2.3	12.5	1.6	2.3

**NOTE:** ALL CAPACITIES INCLUDE INDOOR FAN HEAT. KW VALUES ARE FOR THE SYSTEM (OUTDOOR + INDOOR).

Yellow shaded cells are AHRI High Heating conditions.

Orange shaded cells are AHRI Low Heating conditions.

Multipliers for determining the performance with other indoor sections.



**COIL MULTIPLIERS - 2.5 TON**

Air Handler	Coil	MBH	COP	KW
AE30BX21	–	0.97	1.03	0.94
AVC30BX21	–	0.96	1.03	0.93
ME12BN21	CF/CM30B	0.96	1.05	0.91
ME12CN21	CF/CM30C	0.95	1.05	0.90
ME16CN21	CF/CM30C	0.95	1.06	0.90
MVC12BN21	CF/CM30B	0.96	1.05	0.91
MVC12CN21	CF/CM30C	0.95	1.08	0.87
MVC16CN21	CF/CM30C	0.95	1.08	0.88

**FURNACE MULTIPLIERS - 2.5 TON**

Furnaces	Coil	MBH	COP	KW
TL8E060A12UH11	CF/CM/CU30B	0.97	1.03	0.94
TL8E060A12UH11	CF/CM30C	0.96	1.02	0.94
TL8E080C16UH11	CF/CM30C	0.96	1.03	0.93
TL8E100C20UH11	CF/CM30C	0.95	1.06	0.90
TL9E060B12UH11	CF/CM/CU30B	0.97	1.01	0.96
TL9E060B12UH11	CF/CM30C	0.97	1.01	0.95
TL9E080C16UH11	CF/CM30C	0.96	1.03	0.93
TL9E100C20UH11	CF/CM30C	0.96	1.06	0.91
TM8E040A12MP11	CF/CM30A	0.97	1.01	0.96
TM8E040A12MP11	CF/CM/CU30B	0.96	1.02	0.95
TM8E060A12MP11	CF/CM30A	0.96	1.01	0.95
TM8E060A12MP11	CF/CM/CU30B	0.96	1.03	0.94
TM8E080B12MP11	CF/CM/CU30B	0.96	1.03	0.94
TM8E080B12MP11	CF/CM30C	0.96	1.03	0.93
TM8E080C16MP11	CF/CM30C	0.95	1.05	0.91
TM8E100B12MP11	CF/CM/CU30B	0.96	1.02	0.94
TM8E100B12MP11	CF/CM30C	0.96	1.03	0.93
TM8E100C16MP11	CF/CM30C	0.96	1.05	0.91
TM8E120C16MP11	CF/CM30C	0.96	1.05	0.91
TM8V060A12MP12C	CF/CM30A	0.97	1.01	0.96
TM8V060A12MP12C	CF/CM/CU30B	0.97	1.03	0.94
TM8V080B12MP12C	CF/CM/CU30B	0.96	1.01	0.95
TM8V080B12MP12C	CF/CM30C	0.96	1.01	0.95
TM8V080C16MP12C	CF/CM30C	0.96	1.05	0.91
TM8V100C16MP12C	CF/CM30C	0.96	1.05	0.91
TM8V100C20MP12C	CF/CM30C	0.96	1.06	0.90
TM8V120C20MP12C	CF/CM30C	0.96	1.06	0.90
TM8X060A12MP11	CF/CM30A	0.96	1.00	0.96
TM8X060A12MP11	CF/CM/CU30B	0.96	1.01	0.95
TM8X080B12MP11	CF/CM/CU30B	0.96	1.02	0.94
TM8X080B12MP11	CF/CM30C	0.96	1.03	0.93
TM8X080C16MP11	CF/CM30C	0.96	1.05	0.91
TM8X100C16MP11	CF/CM30C	0.96	1.05	0.91
TM8X100C20MP11	CF/CM30C	0.96	1.05	0.91
TM8X120C20MP11	CF/CM30C	0.96	1.05	0.91
TM8Y060A12MP11	CF/CM30A	0.96	1.00	0.96
TM8Y060A12MP11	CF/CM/CU30B	0.96	1.01	0.95
TM8Y080B12MP11	CF/CM/CU30B	0.96	1.02	0.94
TM8Y080B12MP11	CF/CM30C	0.96	1.03	0.93
TM8Y080C16MP11	CF/CM30C	0.96	1.05	0.91
TM8Y100C16MP11	CF/CM30C	0.96	1.05	0.91
TM8Y100C20MP11	CF/CM30C	0.96	1.05	0.91
TM8Y120C20MP11	CF/CM30C	0.96	1.05	0.91
TM9E040A10MP12	CF/CM30A	0.98	0.99	0.99

**FURNACE MULTIPLIERS - 2.5 TON (Continued)**

Furnaces	Coil	MBH	COP	KW
TM9E040A10MP12	CF/CM/CU30B	0.97	0.99	0.98
TM9E060A10MP12	CF/CM30A	0.97	1.00	0.97
TM9E060A10MP12	CF/CM/CU30B	0.97	1.01	0.96
TM9E060B12MP11	CF/CM/CU30B	0.97	1.01	0.96
TM9E060B12MP11	CF/CM30C	0.96	1.02	0.95
TM9E060B12MP12	CF/CM/CU30B	0.97	1.01	0.95
TM9E060B12MP12	CF/CM30C	0.96	1.02	0.94
TM9E080B12MP11	CF/CM/CU30B	0.96	1.02	0.95
TM9E080B12MP11	CF/CM30C	0.97	1.03	0.94
TM9E080B12MP12	CF/CM/CU30B	0.96	1.01	0.95
TM9E080B12MP12	CF/CM30C	0.96	1.03	0.94
TM9E080C16MP11	CF/CM30C	0.96	1.04	0.92
TM9E080C16MP12	CF/CM30C	0.96	1.04	0.93
TM9E100C16MP11	CF/CM30C	0.96	1.05	0.92
TM9E100C16MP12	CF/CM30C	0.96	1.05	0.91
TM9E100C20MP11	CF/CM30C	0.96	1.05	0.91
TM9E100C20MP12	CF/CM30C	0.96	1.07	0.90
TM9V040A10MP12C	CF/CM30A	0.98	0.99	0.99
TM9V040A10MP12C	CF/CM/CU30B	0.97	0.99	0.97
TM9V060B12MP12C	CF/CM/CU30B	0.96	1.01	0.95
TM9V060B12MP12C	CF/CM30C	0.96	1.02	0.95
TM9V080B12MP12C	CF/CM/CU30B	0.97	1.02	0.94
TM9V080B12MP12C	CF/CM30C	0.97	1.03	0.94
TM9V080C16MP12C	CF/CM30C	0.96	1.04	0.92
TM9V100C16MP12C	CF/CM30C	0.96	1.06	0.91
TM9V100C20MP12C	CF/CM30C	0.96	1.05	0.92
TM9Y060B12MP11	CF/CM/CU30B	0.97	1.01	0.96
TM9Y060B12MP11	CF/CM30C	0.96	1.02	0.95
TM9Y080B12MP11	CF/CM/CU30B	0.96	1.02	0.95
TM9Y080B12MP11	CF/CM30C	0.97	1.03	0.94
TM9Y080C16MP11	CF/CM30C	0.96	1.04	0.92
TM9Y100C16MP11	CF/CM30C	0.96	1.05	0.92
TM9Y100C20MP11	CF/CM30C	0.96	1.05	0.91
TMLE040A12MP11	CF/CM30A	0.97	1.01	0.96
TMLE040A12MP11	CF/CM/CU30B	0.96	1.02	0.95
TMLE060A12MP11	CF/CM30A	0.96	1.01	0.95
TMLE060A12MP11	CF/CM/CU30B	0.96	1.03	0.94
TMLE080B12MP11	CF/CM/CU30B	0.96	1.03	0.94
TMLE080B12MP11	CF/CM30C	0.96	1.03	0.93
TMLE080C16MP11	CF/CM30C	0.95	1.05	0.91
TMLE100B12MP11	CF/CM/CU30B	0.96	1.02	0.94
TMLE100B12MP11	CF/CM30C	0.96	1.03	0.93
TMLE100C16MP11	CF/CM30C	0.96	1.05	0.91
TMLE120C16MP11	CF/CM30C	0.96	1.05	0.91
TMLV060A12MP12C	CF/CM30A	0.97	1.01	0.96
TMLV060A12MP12C	CF/CM/CU30B	0.97	1.03	0.94
TMLV100C16MP12C	CF/CM30C	0.96	1.05	0.91
TMLV120C20MP12C	CF/CM30C	0.96	1.06	0.90
TMLX060A12MP11	CF/CM30A	0.96	1.00	0.96
TMLX060A12MP11	CF/CM/CU30B	0.96	1.01	0.95
TMLX080B12MP11	CF/CM/CU30B	0.96	1.02	0.94
TMLX080B12MP11	CF/CM30C	0.96	1.03	0.93
TMLX080C16MP11	CF/CM30C	0.96	1.05	0.91
TMLX100C20MP11	CF/CM30C	0.96	1.05	0.91
TMLX120C20MP11	CF/CM30C	0.96	1.05	0.91

**FURNACE MULTIPLIERS - 2.5 TON (Continued)**

Furnaces	Coil	MBH	COP	KW
TP9C060B12MP13C	CF/CM/CU30B	0.96	1.01	0.95
TP9C060B12MP13C	CF/CM30C	0.96	1.02	0.95
TP9C080B12MP13C	CF/CM/CU30B	0.97	1.02	0.94
TP9C080B12MP13C	CF/CM30C	0.97	1.03	0.94
TP9C080C16MP13C	CF/CM30C	0.96	1.04	0.92
TP9C100C16MP13C	CF/CM30C	0.96	1.06	0.91
TP9C100C20MP13C	CF/CM30C	0.96	1.05	0.92
TPLC060A12MP13C	CF/CM30A	0.97	1.01	0.96
TPLC060A12MP13C	CF/CM/CU30B	0.97	1.03	0.94
TPLC080B12MP13C	CF/CM/CU30B	0.96	1.01	0.95
TPLC080B12MP13C	CF/CM30C	0.96	1.01	0.95
TPLC080C16MP13C	CF/CM30C	0.96	1.05	0.91
TPLC100C16MP13C	CF/CM30C	0.96	1.05	0.91
TPLC100C20MP13C	CF/CM30C	0.96	1.06	0.90
YP9C060B12MP13C	CF/CM/CU30B	0.96	1.01	0.95
YP9C060B12MP13C	CF/CM30C	0.96	1.02	0.95

**FURNACE MULTIPLIERS - 2.5 TON (Continued)**

Furnaces	Coil	MBH	COP	KW
YP9C080B12MP13C	CF/CM/CU30B	0.97	1.02	0.94
YP9C080B12MP13C	CF/CM30C	0.97	1.03	0.94
YP9C080C16MP13C	CF/CM30C	0.96	1.04	0.92
YP9C100C16MP13C	CF/CM30C	0.96	1.06	0.91
YP9C100C20MP13C	CF/CM30C	0.96	1.05	0.92
YPLC060A12MP13C	CF/CM30A	0.97	1.01	0.96
YPLC060A12MP13C	CF/CM/CU30B	0.97	1.03	0.94
YPLC080B12MP13C	CF/CM/CU30B	0.96	1.01	0.95
YPLC080B12MP13C	CF/CM30C	0.96	1.01	0.95
YPLC080C16MP13C	CF/CM30C	0.96	1.05	0.91
YPLC100C16MP13C	CF/CM30C	0.96	1.05	0.91
YPLC100C20MP13C	CF/CM30C	0.96	1.06	0.90
YPLC120C20MP13C	CF/CM30C	0.96	1.06	0.90

**PERFORMANCE DATA - 3 TON**

CONDENSER-ONLY DATA (OUTDOOR UNIT)																
MODEL	SATURATED SUCTION @ COMPRESSOR		Outdoor Ambient Temperature													
			65 °F		75 °F		85 °F		95 °F		105 °F		115 °F		125 °F	
	T (°F)	P (PSIG)	MBH	KW	MBH	KW	MBH	KW	MBH	KW	MBH	KW	MBH	KW	MBH	KW
YEE36B21S	35	107	34.2	1.67	32.5	1.93	30.5	2.17	28.5	2.45	26.2	2.73	23.8	3.06	21.4	3.44
	40	119	38.0	1.72	36.0	1.96	33.8	2.20	31.5	2.47	29.0	2.75	26.4	3.08	23.8	3.46
	45	130	41.8	1.76	39.5	2.00	37.1	2.23	34.6	2.50	31.9	2.78	29.1	3.10	26.2	3.48
	50	143	45.5	1.81	43.1	2.04	40.4	2.26	37.7	2.53	34.7	2.80	31.7	3.12	28.6	3.50
	55	156	49.3	1.86	46.6	2.08	43.7	2.29	40.8	2.56	37.6	2.83	34.3	3.14	31.0	3.51

**Notes:**

- For Outdoor Unit (Condenser) performance only. Data does not include the effects of air handler power or heat.
- Performance based on 15°F subcooling and 15°F superheat at the Outdoor /Unit base valves.
  - Increase capacity by 1% for each 2°F increase in subcooling.
  - Decrease capacity by 1% for each 2°F decrease in subcooling.
- Maximum recommended condensing temperature is 140°F.

COOLING PERFORMANCE DATA																
AIR CONDITIONER MODEL NO.		YEE36B21S														
AIR TEMP. ENTERING OUTDOOR UNIT (°F)	IDCFM	900					1200					1500				
	ID DB (°F)	80	80	75	80	80	80	80	75	80	80	80	80	75	80	80
	ID WB (°F)	57	62	62	67	72	57	62	62	67	72	57	62	62	67	72
55	T.C.	31.8	34.6	34.5	37.2	39.6	34.0	36.0	35.7	38.0	40.2	36.3	37.4	36.9	38.9	40.8
	S.C.	31.8	28.5	24.5	24.4	19.1	34.0	31.7	26.8	26.1	19.8	36.3	35.0	29.1	27.8	20.5
	KW	1.94	1.93	1.93	1.92	1.92	2.03	2.03	2.03	2.02	2.04	2.12	2.13	2.13	2.13	2.16
65	T.C.	30.8	33.4	33.4	36.4	39.1	33.2	34.8	34.6	37.4	39.9	35.5	36.2	35.8	38.4	40.7
	S.C.	30.8	28.3	23.9	24.0	18.8	33.2	31.9	26.4	26.2	19.9	35.5	35.6	28.9	28.4	21.0
	KW	2.13	2.12	2.12	2.12	2.12	2.23	2.23	2.23	2.22	2.23	2.33	2.33	2.33	2.33	2.35
75	T.C.	29.8	32.2	32.2	35.3	38.3	32.2	33.5	33.4	36.4	39.3	34.5	34.9	34.6	37.6	40.2
	S.C.	29.8	27.9	23.3	23.5	18.4	32.2	31.4	25.9	26.1	19.8	34.5	34.9	28.5	28.7	21.1
	KW	2.35	2.35	2.35	2.35	2.35	2.45	2.45	2.45	2.46	2.46	2.56	2.56	2.56	2.56	2.57
85	T.C.	28.7	30.8	30.9	34.0	37.2	31.1	32.1	32.0	35.2	38.2	33.4	33.5	33.1	36.4	39.3
	S.C.	28.7	27.4	22.7	23.0	18.0	31.1	30.4	25.4	25.8	19.5	33.4	33.5	28.1	28.7	21.0
	KW	2.61	2.60	2.61	2.61	2.61	2.72	2.71	2.72	2.72	2.72	2.83	2.82	2.82	2.83	2.83
95	T.C.	27.6	29.3	29.3	32.5	35.8	29.8	30.6	30.4	33.7	36.9	32.1	32.0	31.5	34.9	37.9
	S.C.	27.6	26.6	22.0	22.4	17.6	29.8	29.3	24.7	25.3	19.1	32.1	32.0	27.4	28.3	20.6
	KW	2.90	2.90	2.90	2.91	2.91	3.01	3.01	3.01	3.02	3.02	3.12	3.12	3.12	3.13	3.13
105	T.C.	26.3	27.7	27.7	30.8	34.1	28.4	29.0	28.7	31.9	35.1	30.6	30.4	29.7	33.0	36.1
	S.C.	26.3	25.7	21.3	21.7	17.0	28.4	28.0	24.0	24.6	18.5	30.6	30.4	26.6	27.5	19.9
	KW	3.23	3.23	3.23	3.24	3.24	3.34	3.34	3.34	3.34	3.35	3.45	3.45	3.44	3.45	3.46
115	T.C.	25.0	26.0	25.8	28.8	32.0	26.9	27.4	26.7	29.8	32.9	28.9	28.7	27.6	30.7	33.8
	S.C.	25.0	24.5	20.5	20.8	16.3	26.9	26.6	23.1	23.6	17.6	28.9	28.7	25.6	26.3	18.9
	KW	3.59	3.59	3.59	3.59	3.60	3.70	3.70	3.69	3.70	3.71	3.81	3.81	3.80	3.81	3.82
125	T.C.	23.6	24.1	23.8	26.7	29.7	25.3	25.6	24.6	27.4	30.4	27.0	27.0	25.4	28.1	31.1
	S.C.	23.6	23.2	19.6	19.8	15.5	25.3	25.1	22.0	22.3	16.6	27.0	27.0	24.4	24.7	17.6
	KW	3.99	3.99	3.98	3.99	3.99	4.10	4.10	4.09	4.10	4.11	4.21	4.21	4.19	4.21	4.23

NOTE: ALL CAPACITIES INCLUDE INDOOR FAN HEAT. KW VALUES ARE FOR THE SYSTEM (OUTDOOR + INDOOR).

Green shaded cells are ACCA (TVA) conditions.

Blue shaded cells are AHRI conditions.

### Multipliers for determining the performance with other indoor sections.

NOTE: For dry bulb temperatures different than those listed (between 73-87 °F), sensible capacity increases by 1060 BTUH per 1000 CFM per degree above the listed temperature and decreases by 1060 BTUH per 1000 CFM per degree below the listed temperature.

### COIL MULTIPLIERS - 3 TON

Air Handler	Coil	T.C.	S.C.	KW
AE36BX21	-	1.03	1.01	0.96
AE36CX21	-	1.02	0.98	0.95
AVC36BX21	-	1.02	0.98	0.96
AVC36CX21	-	1.02	0.99	0.95
ME12BN21	CF/CM/36B	1.01	0.97	0.96
ME12CN21	CF/CM/36C	1.02	0.99	0.95
ME16CN21	CF/CM/36C	1.02	0.99	0.95
MVC12BN21	CF/CM/36B	1.02	0.98	0.97
MVC12CN21	CF/CM/36C	1.02	0.99	0.93
MVC16CN21	CF/CM/36C	1.02	0.99	0.93

### FURNACE MULTIPLIERS - 3 TON

Furnaces	Coil	T.C.	S.C.	KW
TL8E080C16UH11	CF/CM/CU36C	1.02	0.99	0.97
TL8E100C20UH11	CF/CM/CU36C	1.02	0.98	0.95
TL9E100C20UH11	CF/CM/CU36C	1.02	0.98	0.95
TM8E080C16MP11	CF/CM/CU36C	1.01	0.97	0.96
TM8E080C20MP11	CF/CM/CU36C	1.02	0.98	0.95
TM8E100B12MP11	CF/CM/CU36B	1.01	0.98	0.98
TM8E100B12MP11	CF/CM/CU36C	1.02	0.98	0.97

### FURNACE MULTIPLIERS - 3 TON (Continued)

Furnaces	Coil	T.C.	S.C.	KW
TM8E100C16MP11	CF/CM/CU36C	1.02	0.99	0.95
TM8E100C20MP11	CF/CM/CU36C	1.02	0.98	0.95
TM8E120C16MP11	CF/CM/CU36C	1.02	0.99	0.95
TM8E120C20MP11	CF/CM/CU36C	1.02	0.98	0.95
TM8V080C16MP12C	CF/CM/CU36C	1.02	0.98	0.96
TM8V100C16MP12C	CF/CM/CU36C	1.02	0.98	0.96
TM8V100C20MP12C	CF/CM/CU36C	1.02	0.99	0.95
TM8V120C20MP12C	CF/CM/CU36C	1.02	0.99	0.95
TM8X080C16MP11	CF/CM/CU36C	1.02	0.98	0.97
TM8X100C16MP11	CF/CM/CU36C	1.02	0.98	0.97
TM8X100C20MP11	CF/CM/CU36C	1.02	0.98	0.95
TM8X120C20MP11	CF/CM/CU36C	1.02	0.98	0.95
TM8Y080C16MP11	CF/CM/CU36C	1.02	0.98	0.97
TM8Y100C16MP11	CF/CM/CU36C	1.02	0.98	0.97
TM8Y100C20MP11	CF/CM/CU36C	1.02	0.98	0.95
TM8Y120C20MP11	CF/CM/CU36C	1.02	0.98	0.95
TM9E080B12MP12	CF/CM/CU36C	1.01	0.98	0.98
TM9E080C16MP11	CF/CM/CU36C	1.01	0.98	0.96
TM9E080C16MP12	CF/CM/CU36C	1.02	0.99	0.97
TM9E080C20MP12	CF/CM/CU36C	1.02	0.98	0.95

## FURNACE MULTIPLIERS - 3 TON (Continued)

Furnaces	Coil	T.C.	S.C.	KW
TM9E100C16MP11	CF/CM/CU36C	1.02	0.98	0.97
TM9E100C16MP12	CF/CM/CU36C	1.01	0.97	0.98
TM9E100C20MP11	CF/CM/CU36C	1.02	0.98	0.97
TM9E100C20MP12	CF/CM/CU36C	1.02	0.98	0.95
TM9V060B12MP12C	CF/CM/CU36C	1.02	1.00	0.99
TM9V080C16MP12C	CF/CM/CU36C	1.01	0.98	0.96
TM9V100C16MP12C	CF/CM/CU36C	1.02	0.98	0.97
TM9V100C20MP12C	CF/CM/CU36C	1.02	0.98	0.97
TM9Y080C16MP11	CF/CM/CU36C	1.01	0.98	0.96
TM9Y100C16MP11	CF/CM/CU36C	1.02	0.98	0.97
TM9Y100C20MP11	CF/CM/CU36C	1.02	0.98	0.97
TMLE080C16MP11	CF/CM/CU36C	1.01	0.97	0.96
TMLE080C20MP11	CF/CM/CU36C	1.02	0.98	0.95
TMLE100B12MP11	CF/CM/CU36B	1.01	0.98	0.98
TMLE100B12MP11	CF/CM/CU36C	1.02	0.98	0.97
TMLE100C16MP11	CF/CM/CU36C	1.02	0.99	0.95
TMLE100C20MP11	CF/CM/CU36C	1.02	0.98	0.95
TMLE120C16MP11	CF/CM/CU36C	1.02	0.99	0.95
TMLE120C20MP11	CF/CM/CU36C	1.02	0.98	0.95
TMLV100C16MP12C	CF/CM/CU36C	1.02	0.98	0.96
TMLV120C20MP12C	CF/CM/CU36C	1.02	0.99	0.95

## FURNACE MULTIPLIERS - 3 TON (Continued)

Furnaces	Coil	T.C.	S.C.	KW
TMLX080C16MP11	CF/CM/CU36C	1.02	0.98	0.97
TMLX100C20MP11	CF/CM/CU36C	1.02	0.98	0.95
TMLX120C20MP11	CF/CM/CU36C	1.02	0.98	0.95
TP9C060B12MP13C	CF/CM/CU36C	1.02	1.00	0.99
TP9C080C16MP13C	CF/CM/CU36C	1.01	0.98	0.96
TP9C100C16MP13C	CF/CM/CU36C	1.02	0.98	0.97
TP9C100C20MP13C	CF/CM/CU36C	1.02	0.98	0.97
TPLC080C16MP13C	CF/CM/CU36C	1.02	0.98	0.96
TPLC100C16MP13C	CF/CM/CU36C	1.02	0.98	0.96
TPLC100C20MP13C	CF/CM/CU36C	1.02	0.99	0.95
YP9C060B12MP13C	CF/CM/CU36C	1.02	1.00	0.99
YP9C080C16MP13C	CF/CM/CU36C	1.01	0.98	0.96
YP9C100C16MP13C	CF/CM/CU36C	1.02	0.98	0.97
YP9C100C20MP13C	CF/CM/CU36C	1.02	0.98	0.97
YPLC080C16MP13C	CF/CM/CU36C	1.02	0.98	0.96
YPLC100C16MP13C	CF/CM/CU36C	1.02	0.98	0.96
YPLC100C20MP13C	CF/CM/CU36C	1.02	0.99	0.95
YPLC120C20MP13C	CF/CM/CU36C	1.02	0.99	0.95

HEATING PERFORMANCE DATA										
CONDENSING UNIT MODEL NO		YEE36B21S								
AIR TEMP. ENTERING OUTDOOR UNIT (°F)	AIR TEMP. ENTERING INDOOR COIL (°F)	ID CFM								
		900			1200			1500		
		MBH	COP	KW	MBH	COP	KW	MBH	COP	KW
60	60	41.8	3.92	3.12	42.6	4.14	3.01	43.4	4.38	2.90
	70	40.8	3.44	3.47	41.6	3.66	3.33	42.4	3.90	3.18
	80	39.7	3.04	3.82	40.6	3.26	3.64	41.4	3.50	3.46
47	60	35.4	3.49	2.97	36.1	3.66	2.89	36.8	3.83	2.82
	70	34.4	3.06	3.30	35.1	3.22	3.20	35.7	3.39	3.09
	80	33.5	2.70	3.63	34.1	2.85	3.50	34.6	3.02	3.36
40	60	32.1	3.26	2.89	32.8	3.39	2.83	33.4	3.54	2.77
	70	31.2	2.84	3.21	31.7	2.98	3.12	32.3	3.12	3.04
	80	30.2	2.51	3.53	30.7	2.63	3.42	31.2	2.77	3.30
30	60	27.6	2.92	2.77	28.2	3.02	2.74	28.8	3.13	2.70
	70	26.7	2.54	3.08	27.2	2.64	3.02	27.7	2.74	2.96
	80	25.7	2.22	3.39	26.2	2.32	3.31	26.6	2.42	3.22
17	60	22.2	2.48	2.62	22.7	2.54	2.62	23.3	2.61	2.62
	70	21.1	2.12	2.91	21.7	2.20	2.89	22.2	2.27	2.87
	80	20.1	1.83	3.20	20.6	1.91	3.16	21.1	1.99	3.12
10	60	19.4	2.24	2.54	19.9	2.28	2.56	20.5	2.33	2.57
	70	18.3	1.90	2.82	18.8	1.96	2.82	19.4	2.02	2.82
	80	17.1	1.62	3.10	17.8	1.69	3.08	18.4	1.76	3.06
0	60	15.6	1.89	2.42	16.2	1.92	2.47	16.7	1.95	2.51
	70	14.3	1.56	2.69	15.0	1.62	2.72	15.7	1.68	2.74
	80	13.0	1.29	2.96	13.9	1.37	2.97	14.8	1.46	2.98

NOTE: ALL CAPACITIES INCLUDE INDOOR FAN HEAT. KW VALUES ARE FOR THE SYSTEM (OUTDOOR + INDOOR).

Yellow shaded cells are AHRI High Heating conditions.

Orange shaded cells are AHRI Low Heating conditions.

Multipliers for determining the performance with other indoor sections.

**COIL MULTIPLIERS - 3 TON**

Air Handler	Coil	MBH	COP	KW
AE36BX21	–	0.97	1.05	0.92
AE36CX21	–	0.97	1.06	0.91
AVC36BX21	–	0.98	1.04	0.93
AVC36CX21	–	0.97	1.07	0.90
ME12BN21	CF/CM/36B	0.97	1.04	0.93
ME12CN21	CF/CM/36C	0.97	1.06	0.91
ME16CN21	CF/CM/36C	0.96	1.06	0.91
MVC12BN21	CF/CM/36B	0.97	1.05	0.93
MVC12CN21	CF/CM/36C	0.97	1.07	0.90
MVC16CN21	CF/CM/36C	0.96	1.06	0.90

**FURNACE MULTIPLIERS - 3 TON**

Furnaces	Coil	MBH	COP	KW
TL8E080C16UH11	CF/CM/36C	0.97	1.05	0.92
TL8E100C20UH11	CF/CM/36C	0.97	1.06	0.91
TL9E100C20UH11	CF/CM/36C	0.97	1.06	0.91
TM8E080C16MP11	CF/CM/36C	0.97	1.05	0.93
TM8E080C20MP11	CF/CM/36C	0.97	1.06	0.91
TM8E100B12MP11	CF/CM/36B	0.97	1.03	0.94
TM8E100B12MP11	CF/CM/36C	0.98	1.04	0.93
TM8E100C16MP11	CF/CM/36C	0.97	1.05	0.92
TM8E100C20MP11	CF/CM/36C	0.97	1.06	0.91
TM8E120C16MP11	CF/CM/36C	0.97	1.05	0.92
TM8E120C20MP11	CF/CM/36C	0.97	1.06	0.91
TM8V080C16MP12C	CF/CM/36C	0.97	1.05	0.92
TM8V100C16MP12C	CF/CM/36C	0.97	1.05	0.92
TM8V100C20MP12C	CF/CM/36C	0.97	1.06	0.91
TM8V120C20MP12C	CF/CM/36C	0.97	1.06	0.91
TM8X080C16MP11	CF/CM/36C	0.97	1.05	0.92
TM8X100C16MP11	CF/CM/36C	0.97	1.05	0.92
TM8X100C20MP11	CF/CM/36C	0.97	1.06	0.91
TM8X120C20MP11	CF/CM/36C	0.97	1.06	0.91
TM8Y080C16MP11	CF/CM/36C	0.97	1.05	0.92
TM8Y100C16MP11	CF/CM/36C	0.97	1.05	0.92
TM8Y100C20MP11	CF/CM/36C	0.97	1.06	0.91
TM8Y120C20MP11	CF/CM/36C	0.97	1.06	0.91
TM9E080B12MP12	CF/CM/36C	0.97	1.04	0.93
TM9E080C16MP11	CF/CM/36C	0.97	1.04	0.93
TM9E080C16MP12	CF/CM/36C	0.97	1.05	0.93
TM9E080C20MP12	CF/CM/36C	0.97	1.06	0.91
TM9E100C16MP11	CF/CM/36C	0.97	1.05	0.93

**FURNACE MULTIPLIERS - 3 TON (Continued)**

Furnaces	Coil	MBH	COP	KW
TM9E100C16MP12	CF/CM/36C	0.98	1.04	0.94
TM9E100C20MP11	CF/CM/36C	0.97	1.05	0.93
TM9E100C20MP12	CF/CM/36C	0.97	1.05	0.92
TM9V060B12MP12C	CF/CM/36C	0.97	1.03	0.94
TM9V080C16MP12C	CF/CM/36C	0.97	1.04	0.93
TM9V100C16MP12C	CF/CM/36C	0.97	1.05	0.92
TM9V100C20MP12C	CF/CM/36C	0.97	1.05	0.93
TM9Y080C16MP11	CF/CM/36C	0.97	1.04	0.93
TM9Y100C16MP11	CF/CM/36C	0.97	1.05	0.93
TM9Y100C20MP11	CF/CM/36C	0.97	1.05	0.93
TMLE080C16MP11	CF/CM/36C	0.97	1.05	0.93
TMLE080C20MP11	CF/CM/36C	0.97	1.06	0.91
TMLE100B12MP11	CF/CM/36B	0.97	1.03	0.94
TMLE100B12MP11	CF/CM/36C	0.98	1.04	0.93
TMLE100C16MP11	CF/CM/36C	0.97	1.05	0.92
TMLE100C20MP11	CF/CM/36C	0.97	1.06	0.91
TMLE120C16MP11	CF/CM/36C	0.97	1.05	0.92
TMLE120C20MP11	CF/CM/36C	0.97	1.06	0.91
TMLV100C16MP12C	CF/CM/36C	0.97	1.05	0.92
TMLV120C20MP12C	CF/CM/36C	0.97	1.06	0.91
TMLX080C16MP11	CF/CM/36C	0.97	1.05	0.92
TMLX100C20MP11	CF/CM/36C	0.97	1.06	0.91
TMLX120C20MP11	CF/CM/36C	0.97	1.06	0.91
TP9C060B12MP13C	CF/CM/36C	0.97	1.03	0.94
TP9C080C16MP13C	CF/CM/36C	0.97	1.04	0.93
TP9C100C16MP13C	CF/CM/36C	0.97	1.05	0.92
TP9C100C20MP13C	CF/CM/36C	0.97	1.05	0.93
TPLC080C16MP13C	CF/CM/36C	0.97	1.05	0.92
TPLC100C16MP13C	CF/CM/36C	0.97	1.05	0.92
TPLC100C20MP13C	CF/CM/36C	0.97	1.06	0.91
YP9C060B12MP13C	CF/CM/36C	0.97	1.03	0.94
YP9C080C16MP13C	CF/CM/36C	0.97	1.04	0.93
YP9C100C16MP13C	CF/CM/36C	0.97	1.05	0.92
YP9C100C20MP13C	CF/CM/36C	0.97	1.05	0.93
YPLC080C16MP13C	CF/CM/36C	0.97	1.05	0.92
YPLC100C16MP13C	CF/CM/36C	0.97	1.05	0.92
YPLC100C20MP13C	CF/CM/36C	0.97	1.06	0.91
YPLC120C20MP13C	CF/CM/36C	0.97	1.06	0.91

## PERFORMANCE DATA - 3.5 TON

CONDENSER-ONLY DATA (OUTDOOR UNIT)																
MODEL	SATURATED SUCTION @ COMPRESSOR		Outdoor Ambient Temperature													
			65 °F		75 °F		85 °F		95 °F		105 °F		115 °F		125 °F	
	T (°F)	P (PSIG)	MBH	KW	MBH	KW	MBH	KW	MBH	KW	MBH	KW	MBH	KW	MBH	KW
YEE42B21S	35	107	39.6	2.06	37.5	2.30	35.4	2.57	33.3	2.88	30.7	3.22	27.9	3.60	25.0	4.01
	40	119	43.5	2.08	41.3	2.32	38.7	2.58	36.5	2.89	33.7	3.23	30.7	3.60	27.6	4.00
	45	130	47.7	2.11	45.2	2.34	42.5	2.60	40.0	2.90	36.9	3.23	33.6	3.59	30.2	3.98
	50	143	52.1	2.15	49.3	2.37	46.3	2.62	43.5	2.92	40.2	3.23	36.6	3.58	32.9	3.96
	55	156	56.3	2.18	53.2	2.40	50.0	2.64	47.0	2.93	43.4	3.24	39.6	3.58	35.6	3.95

## Notes:

- For Outdoor Unit (Condenser) performance only. Data does not include the effects of air handler power or heat.
- Performance based on 15°F subcooling and 15°F superheat at the Outdoor Unit base valves.
  - Increase capacity by 1% for each 2°F increase in subcooling.
  - Decrease capacity by 1% for each 2°F decrease in subcooling.
- Maximum recommended condensing temperature is 140°F.

COOLING PERFORMANCE DATA																	
AIR CONDITIONER MODEL NO.		YEE42B21S															
AIR TEMP. ENTERING OUTDOOR UNIT (°F)	IDCFM	1050					1400					1750					
	ID DB (°F)	80	80	75	80	80	80	80	75	80	80	80	80	80	75	80	80
	ID WB (°F)	57	62	62	67	72	57	62	62	67	72	57	62	62	67	72	
55	T.C.	36.1	40.7	40.2	44.5	48.4	39.5	43.1	42.2	46.4	49.5	42.8	45.6	44.1	48.3	50.6	
	S.C.	36.0	35.0	30.2	30.5	25.1	39.4	40.3	34.2	34.5	26.0	42.8	45.5	38.3	38.6	26.8	
	KW	2.29	2.26	2.26	2.24	2.22	2.30	2.16	2.28	2.27	2.46	2.31	2.06	2.30	2.29	2.69	
65	T.C.	35.2	38.9	39.2	43.0	47.3	38.5	41.2	41.1	45.0	48.8	41.7	43.4	43.1	47.0	50.3	
	S.C.	35.2	34.0	29.4	29.6	24.3	38.4	39.0	33.5	33.7	25.9	41.7	43.4	37.7	37.7	27.6	
	KW	2.57	2.56	2.56	2.54	2.53	2.59	2.52	2.58	2.57	2.66	2.61	2.49	2.61	2.60	2.79	
75	T.C.	34.3	37.1	38.1	41.6	46.2	37.4	39.2	40.1	43.6	48.1	40.6	41.2	42.1	45.7	50.0	
	S.C.	34.3	33.1	28.6	28.7	23.4	37.4	37.8	32.9	32.8	25.9	40.5	41.2	37.1	36.9	28.3	
	KW	2.84	2.85	2.85	2.85	2.85	2.87	2.88	2.88	2.88	2.87	2.90	2.92	2.91	2.92	2.90	
85	T.C.	33.1	34.9	35.4	39.1	44.3	36.0	36.6	37.1	41.4	46.3	39.0	38.3	38.8	43.6	48.3	
	S.C.	33.0	31.7	27.0	27.2	22.8	36.0	36.3	30.8	31.6	25.4	38.9	38.3	34.6	36.0	27.9	
	KW	3.19	3.30	3.30	3.31	3.20	3.23	3.39	3.39	3.28	3.23	3.26	3.48	3.48	3.26	3.26	
95	T.C.	31.8	32.6	32.6	36.7	42.4	34.6	34.0	34.1	39.1	44.5	37.4	35.4	35.5	41.5	46.6	
	S.C.	31.8	30.4	25.3	25.8	22.2	34.5	34.0	28.7	30.5	24.8	37.3	35.4	32.2	35.2	27.5	
	KW	3.54	3.76	3.76	3.77	3.55	3.58	3.90	3.90	3.69	3.59	3.62	4.03	4.04	3.61	3.63	
105	T.C.	30.3	31.2	31.2	35.2	40.3	33.0	32.8	32.6	37.3	42.3	35.6	34.4	34.0	39.5	44.4	
	S.C.	30.3	29.6	24.7	25.3	21.4	29.9	32.7	28.1	29.7	23.9	35.6	34.3	31.4	34.2	26.5	
	KW	3.91	4.08	4.07	4.09	3.92	3.95	4.19	4.19	4.04	3.96	3.99	4.30	4.30	3.99	4.00	
115	T.C.	28.7	28.3	28.2	32.0	36.2	31.3	31.1	29.7	33.7	38.1	33.9	34.2	31.2	35.5	40.0	
	S.C.	27.3	28.0	23.5	24.3	19.7	29.7	30.3	26.7	28.2	22.1	32.1	32.4	29.9	32.2	24.4	
	KW	4.65	4.71	4.69	4.72	4.67	4.69	4.77	4.76	4.73	4.71	4.73	4.84	4.82	4.74	4.75	
125	T.C.	27.1	27.2	26.7	30.4	34.1	29.6	29.8	28.2	32.0	36.0	32.1	32.5	29.7	33.5	37.8	
	S.C.	25.8	26.8	22.9	23.8	18.9	28.1	29.1	26.0	27.5	21.1	30.4	31.4	29.1	31.2	23.4	
	KW	5.02	5.03	5.00	5.04	5.05	5.06	5.07	5.04	5.08	5.09	5.10	5.11	5.08	5.12	5.13	

**NOTE:** ALL CAPACITIES INCLUDE INDOOR FAN HEAT. KW VALUES ARE FOR THE SYSTEM (OUTDOOR + INDOOR).

Green shaded cells are ACCA (TVA) conditions.

Blue shaded cells are AHRI conditions.

## Multipliers for determining the performance with other indoor sections.

**NOTE:** For dry bulb temperatures different than those listed (between 73-87 °F), sensible capacity increases by 1060 BTUH per 1000 CFM per degree above the listed temperature and decreases by 1060 BTUH per 1000 CFM per degree below the listed temperature.

**COIL MULTIPLIERS - 3.5 TON**

Air Handler	Coil	T.C.	S.C.	KW
AE42CX21	–	0.98	0.95	0.93
AE48CX21	–	1.02	1.08	0.93
AE48DX21	–	1.03	1.09	0.92
AVC42CX21	–	1.03	1.08	0.93
AVC48CX21	–	1.03	1.09	0.93
AVC48DX21	–	1.03	1.09	0.91
ME12CN21	CF/CM/48C	1.03	1.09	0.93
ME14DN21	CF/CM/48D	1.02	1.08	0.94
ME16CN21	CF/CM/48C	1.03	1.08	0.93
ME20DN21	CF/CM/48D	1.03	1.09	0.93
MVC14DN21	CF/CM/48D	1.04	1.09	0.91
MVC16CN21	CF/CM/48C	1.03	1.09	0.91
MVC20DN21	CF/CM/48D	1.03	1.09	0.90

**FURNACE MULTIPLIERS - 3.5 TON**

Furnaces	Coil	T.C.	S.C.	KW
TL8E080C16UH11	CF/CM/CU48C	1.01	1.07	0.94
TL8E080C16UH11	CF/CM/CU48D	1.03	1.09	0.93
TL8E100C20UH11	CF/CM/CU48C	1.02	1.08	0.95
TL8E100C20UH11	CF/CM/CU48D	1.03	1.09	0.91
TL9E080C16UH11	CF/CM/CU48C	1.01	1.06	0.97
TL9E080C16UH11	CF/CM/CU48D	1.01	1.06	0.97
TL9E100C20UH11	CF/CM/CU48C	1.02	1.08	0.95
TL9E100C20UH11	CF/CM/CU48D	1.06	1.09	0.93
TM8E080C16MP11	CF/CM/CU48C	1.01	1.06	1.00
TM8E080C16MP11	CF/CM/CU48D	1.03	1.09	0.93
TM8E080C20MP11	CF/CM/CU48C	1.02	1.07	0.95
TM8E080C20MP11	CF/CM/CU48D	1.03	1.09	0.91
TM8E100C16MP11	CF/CM/CU48C	1.01	1.06	1.00
TM8E100C16MP11	CF/CM/CU48D	1.03	1.08	0.93
TM8E100C20MP11	CF/CM/CU48C	1.02	1.08	0.95
TM8E100C20MP11	CF/CM/CU48D	1.03	1.09	0.93
TM8E120C16MP11	CF/CM/CU48C	1.03	1.08	0.93
TM8E120C16MP11	CF/CM/CU48D	1.03	1.08	0.93
TM8E120C20MP11	CF/CM/CU48C	1.03	1.09	0.93
TM8E120C20MP11	CF/CM/CU48D	1.03	1.09	0.93
TM8E130D20MP11	CF/CM/CU48D	1.03	1.09	0.93
TM8V080C16MP12C	CF/CM/CU48C	1.02	1.07	0.94
TM8V080C16MP12C	CF/CM/CU48D	1.02	1.07	0.94
TM8V100C16MP12C	CF/CM/CU48C	1.02	1.07	0.94
TM8V100C16MP12C	CF/CM/CU48D	1.02	1.07	0.94
TM8V100C20MP12C	CF/CM/CU48C	1.03	1.08	0.93
TM8V100C20MP12C	CF/CM/CU48D	1.03	1.08	0.93
TM8V120C20MP12C	CF/CM/CU48C	1.03	1.08	0.93
TM8V120C20MP12C	CF/CM/CU48D	1.03	1.08	0.93
TM8X080C16MP11	CF/CM/CU48C	1.02	1.07	0.94
TM8X080C16MP11	CF/CM/CU48D	1.01	1.07	0.94
TM8X100C16MP11	CF/CM/CU48C	1.02	1.07	0.94
TM8X100C16MP11	CF/CM/CU48D	1.01	1.07	0.94
TM8X100C20MP11	CF/CM/CU48C	1.03	1.08	0.95
TM8X100C20MP11	CF/CM/CU48D	1.04	1.08	0.91
TM8X120C20MP11	CF/CM/CU48C	1.03	1.08	0.95
TM8X120C20MP11	CF/CM/CU48D	1.04	1.08	0.91
TM8Y080C16MP11	CF/CM/CU48C	1.02	1.07	0.94
TM8Y080C16MP11	CF/CM/CU48D	1.01	1.07	0.94

**FURNACE MULTIPLIERS - 3.5 TON (Continued)**

Furnaces	Coil	T.C.	S.C.	KW
TM8Y100C16MP11	CF/CM/CU48C	1.02	1.07	0.94
TM8Y100C16MP11	CF/CM/CU48D	1.01	1.07	0.94
TM8Y100C20MP11	CF/CM/CU48C	1.03	1.08	0.95
TM8Y100C20MP11	CF/CM/CU48D	1.04	1.08	0.91
TM8Y120C20MP11	CF/CM/CU48C	1.03	1.08	0.95
TM8Y120C20MP11	CF/CM/CU48D	1.04	1.08	0.91
TM9E080C16MP11	CF/CM/CU48D	1.01	1.06	0.97
TM9E080C20MP12	CF/CM/CU48C	1.02	1.08	0.95
TM9E080C20MP12	CF/CM/CU48D	1.02	1.08	0.95
TM9E100C16MP11	CF/CM/CU48C	1.01	1.06	0.97
TM9E100C16MP11	CF/CM/CU48D	1.01	1.06	0.97
TM9E100C20MP11	CF/CM/CU48C	1.02	1.08	0.94
TM9E100C20MP11	CF/CM/CU48D	1.02	1.07	0.94
TM9E100C20MP12	CF/CM/CU48C	1.02	1.08	0.95
TM9E100C20MP12	CF/CM/CU48D	1.02	1.08	0.95
TM9E120D20MP11	CF/CM/CU48D	1.02	1.08	0.95
TM9E120D20MP12	CF/CM/CU48D	1.02	1.07	0.95
TM9V080C16MP12C	CF/CM/CU48D	1.02	1.07	0.97
TM9V100C16MP12C	CF/CM/CU48C	1.03	1.07	0.94
TM9V100C16MP12C	CF/CM/CU48D	1.03	1.09	0.93
TM9V100C20MP12C	CF/CM/CU48C	1.02	1.08	0.94
TM9V100C20MP12C	CF/CM/CU48D	1.02	1.08	0.93
TM9V120D20MP12C	CF/CM/CU48D	1.03	1.09	0.93
TM9Y080C16MP11	CF/CM/CU48D	1.01	1.06	0.97
TM9Y100C16MP11	CF/CM/CU48C	1.01	1.06	0.97
TM9Y100C16MP11	CF/CM/CU48D	1.01	1.06	0.97
TM9Y100C20MP11	CF/CM/CU48C	1.02	1.08	0.94
TM9Y100C20MP11	CF/CM/CU48D	1.02	1.07	0.94
TM9Y120D20MP11	CF/CM/CU48D	1.02	1.08	0.95
TMLE080C16MP11	CF/CM/CU48C	1.01	1.06	1.00
TMLE080C16MP11	CF/CM/CU48D	1.03	1.09	0.93
TMLE080C20MP11	CF/CM/CU48C	1.02	1.07	0.95
TMLE080C20MP11	CF/CM/CU48D	1.03	1.09	0.91
TMLE100C16MP11	CF/CM/CU48C	1.01	1.06	1.00
TMLE100C16MP11	CF/CM/CU48D	1.03	1.08	0.93
TMLE100C20MP11	CF/CM/CU48C	1.02	1.08	0.95
TMLE100C20MP11	CF/CM/CU48D	1.03	1.09	0.91
TMLE100C20MP11	CF/CM/CU48C	1.02	1.08	0.95
TMLE100C20MP11	CF/CM/CU48D	1.03	1.09	0.93
TMLE100C20MP11	CF/CM/CU48C	1.03	1.09	0.93
TMLE100C20MP11	CF/CM/CU48D	1.03	1.09	0.93
TMLE120C16MP11	CF/CM/CU48C	1.03	1.08	0.93
TMLE120C16MP11	CF/CM/CU48D	1.03	1.08	0.93
TMLE120C20MP11	CF/CM/CU48C	1.03	1.09	0.93
TMLE120C20MP11	CF/CM/CU48D	1.03	1.09	0.93
TMLE130D20MP11	CF/CM/CU48D	1.03	1.09	0.93
TMLV100C16MP12C	CF/CM/CU48C	1.02	1.07	0.94
TMLV100C16MP12C	CF/CM/CU48D	1.02	1.07	0.94
TMLV120C20MP12C	CF/CM/CU48C	1.03	1.08	0.93
TMLV120C20MP12C	CF/CM/CU48D	1.03	1.08	0.93
TMLX080C16MP11	CF/CM/CU48C	1.02	1.07	0.94
TMLX080C16MP11	CF/CM/CU48D	1.01	1.07	0.94
TMLX100C20MP11	CF/CM/CU48C	1.03	1.08	0.95
TMLX100C20MP11	CF/CM/CU48D	1.04	1.08	0.91
TMLX120C20MP11	CF/CM/CU48C	1.03	1.08	0.95
TMLX120C20MP11	CF/CM/CU48D	1.04	1.08	0.91
TP9C080C16MP13C	CF/CM/CU48D	1.02	1.07	0.97
TP9C100C16MP13C	CF/CM/CU48C	1.03	1.07	0.94
TP9C100C16MP13C	CF/CM/CU48D	1.03	1.09	0.93

**FURNACE MULTIPLIERS - 3.5 TON (Continued)**

Furnaces	Coil	T.C.	S.C.	KW
TP9C100C20MP13C	CF/CM/CU48C	1.02	1.08	0.94
TP9C100C20MP13C	CF/CM/CU48D	1.02	1.08	0.93
TP9C120D20MP13C	CF/CM/CU48D	1.03	1.09	0.93
TPLC080C16MP13C	CF/CM/CU48C	1.02	1.07	0.94
TPLC080C16MP13C	CF/CM/CU48D	1.02	1.07	0.94
TPLC100C16MP13C	CF/CM/CU48C	1.02	1.07	0.94
TPLC100C16MP13C	CF/CM/CU48D	1.02	1.07	0.94
TPLC100C20MP13C	CF/CM/CU48C	1.03	1.08	0.93
TPLC100C20MP13C	CF/CM/CU48D	1.03	1.08	0.93
YP9C080C16MP13C	CF/CM/CU48D	1.02	1.07	0.97
YP9C100C16MP13C	CF/CM/CU48C	1.03	1.07	0.94
YP9C100C16MP13C	CF/CM/CU48D	1.03	1.09	0.93
YP9C100C20MP13C	CF/CM/CU48C	1.02	1.08	0.94

**FURNACE MULTIPLIERS - 3.5 TON (Continued)**

Furnaces	Coil	T.C.	S.C.	KW
YP9C100C20MP13C	CF/CM/CU48D	1.02	1.08	0.93
YP9C120D20MP13C	CF/CM/CU48D	1.03	1.09	0.93
YPLC080C16MP13C	CF/CM/CU48C	1.02	1.07	0.94
YPLC080C16MP13C	CF/CM/CU48D	1.02	1.07	0.94
YPLC100C16MP13C	CF/CM/CU48C	1.02	1.07	0.94
YPLC100C16MP13C	CF/CM/CU48D	1.02	1.07	0.94
YPLC100C20MP13C	CF/CM/CU48C	1.03	1.08	0.93
YPLC100C20MP13C	CF/CM/CU48D	1.03	1.08	0.93
YPLC120C20MP13C	CF/CM/CU48C	1.03	1.08	0.93
YPLC120C20MP13C	CF/CM/CU48D	1.03	1.08	0.93

HEATING PERFORMANCE DATA										
CONDENSING UNIT MODEL NO		YEE42B21S								
AIR TEMP. ENTERING OUTDOOR UNIT (°F)	AIR TEMP. ENTERING INDOOR COIL (°F)	ID CFM								
		1050			1400			1750		
		MBH	COP	KW	MBH	COP	KW	MBH	COP	KW
60	60	49.1	4.26	3.38	49.8	4.67	3.13	50.6	5.15	2.87
	70	47.2	3.73	3.71	48.4	4.11	3.44	49.5	4.57	3.18
	80	45.3	3.28	4.04	46.9	3.65	3.76	48.5	4.08	3.48
47	60	41.3	3.81	3.18	42.0	4.13	2.98	42.7	4.50	2.77
	70	39.0	3.26	3.51	39.0	3.50	3.27	41.9	3.99	3.07
	80	38.7	2.95	3.84	39.0	3.17	3.61	41.1	3.57	3.37
40	60	37.8	3.58	3.09	38.2	3.85	2.91	38.7	4.17	2.72
	70	35.3	3.04	3.41	36.1	3.30	3.21	37.0	3.59	3.02
	80	32.9	2.59	3.72	34.0	2.84	3.52	35.2	3.11	3.32
30	60	31.9	3.16	2.96	32.1	3.36	2.80	32.2	3.59	2.63
	70	29.9	2.69	3.25	30.2	2.87	3.08	30.6	3.08	2.91
	80	27.8	2.30	3.55	28.4	2.47	3.37	28.9	2.66	3.18
17	60	25.3	2.66	2.79	26.2	2.80	2.74	27.0	2.95	2.69
	70	23.7	2.27	3.06	24.8	2.42	3.01	26.0	2.58	2.95
	80	22.0	1.93	3.33	23.5	2.10	3.29	25.1	2.28	3.22
10	60	21.9	2.32	2.77	23.4	2.39	2.87	24.9	2.47	2.96
	70	20.8	1.84	3.30	22.4	1.99	3.29	24.0	2.14	3.29
	80	17.0	1.42	3.49	20.1	1.64	3.59	23.3	1.85	3.68
0	60	17.8	1.85	2.81	18.3	2.39	2.83	18.8	1.94	2.84
	70	14.7	1.42	3.02	15.9	1.99	3.05	17.2	1.63	3.09
	80	11.6	1.05	3.23	13.6	1.64	3.28	15.6	1.37	3.33

**NOTE:** ALL CAPACITIES INCLUDE INDOOR FAN HEAT. KW VALUES ARE FOR THE SYSTEM (OUTDOOR + INDOOR).

Yellow shaded cells are AHRI High Heating conditions.

Orange shaded cells are AHRI Low Heating conditions.

**Multipliers for determining the performance with other indoor sections.**

**COIL MULTIPLIERS - 3.5 TON**

Air Handler	Coil	MBH	COP	KW
AE42CX21	–	0.96	0.96	1.00
AE48CX21	–	0.94	0.94	1.00
AE48DX21	–	0.93	0.95	0.99
AVC42CX21	–	0.95	0.94	1.01
AVC48CX21	–	0.95	0.96	0.99
AVC48DX21	–	0.94	0.96	0.98
ME12CN21	CF/CM48C	0.95	0.95	1.00

**COIL MULTIPLIERS - 3.5 TON**

Air Handler	Coil	MBH	COP	KW
ME14DN21	CF/CM48D	0.94	0.93	1.02
ME16CN21	CF/CM48C	0.95	0.94	1.01
ME20DN21	CF/CM48D	0.94	0.94	1.00
MVC14DN21	CF/CM48D	0.94	0.96	0.98
MVC16CN21	CF/CM48C	0.94	0.96	0.98
MVC20DN21	CF/CM48D	0.94	0.97	0.97



## FURNACE MULTIPLIERS - 3.5 TON

Furnaces	Coil	MBH	COP	KW
TL8E080C16UH11	CF/CM/CU48C	0.95	0.92	1.03
TL8E080C16UH11	CF/CM/CU48D	0.95	0.94	1.01
TL8E100C20UH11	CF/CM/CU48C	0.95	0.93	1.02
TL8E100C20UH11	CF/CM/CU48D	0.95	0.95	1.00
TL9E080C16UH11	CF/CM/CU48C	0.95	0.91	1.04
TL9E080C16UH11	CF/CM/CU48D	0.95	0.91	1.04
TL9E100C20UH11	CF/CM/CU48C	0.95	0.93	1.03
TL9E100C20UH11	CF/CM/CU48D	0.95	0.97	0.98
TM8E080C16MP11	CF/CM/CU48C	0.96	0.89	1.08
TM8E080C16MP11	CF/CM/CU48D	0.95	0.94	1.01
TM8E080C20MP11	CF/CM/CU48C	0.95	0.92	1.02
TM8E080C20MP11	CF/CM/CU48D	0.95	0.95	1.00
TM8E100C16MP11	CF/CM/CU48C	0.96	0.89	1.08
TM8E100C16MP11	CF/CM/CU48D	0.95	0.94	1.01
TM8E100C20MP11	CF/CM/CU48C	0.95	0.93	1.02
TM8E100C20MP11	CF/CM/CU48D	0.95	0.95	1.00
TM8E120C16MP11	CF/CM/CU48C	0.95	0.94	1.01
TM8E120C16MP11	CF/CM/CU48D	0.95	0.94	1.01
TM8E120C20MP11	CF/CM/CU48C	0.95	0.95	1.00
TM8E120C20MP11	CF/CM/CU48D	0.95	0.95	1.00
TM8E130D20MP11	CF/CM/CU48D	0.95	0.95	1.00
TM8V080C16MP12C	CF/CM/CU48C	0.95	0.92	1.03
TM8V080C16MP12C	CF/CM/CU48D	0.95	0.93	1.03
TM8V100C16MP12C	CF/CM/CU48C	0.95	0.92	1.03
TM8V100C16MP12C	CF/CM/CU48D	0.95	0.93	1.03
TM8V100C20MP12C	CF/CM/CU48C	0.95	0.94	1.01
TM8V100C20MP12C	CF/CM/CU48D	0.95	0.95	1.00
TM8V120C20MP12C	CF/CM/CU48C	0.95	0.94	1.01
TM8V120C20MP12C	CF/CM/CU48D	0.95	0.95	1.00
TM8X080C16MP11	CF/CM/CU48C	0.95	0.92	1.03
TM8X080C16MP11	CF/CM/CU48D	0.95	0.92	1.03
TM8X100C16MP11	CF/CM/CU48C	0.95	0.92	1.03
TM8X100C16MP11	CF/CM/CU48D	0.95	0.92	1.03
TM8X100C20MP11	CF/CM/CU48C	0.95	0.93	1.02
TM8X100C20MP11	CF/CM/CU48D	0.95	0.96	0.99
TM8X120C20MP11	CF/CM/CU48C	0.95	0.93	1.02
TM8X120C20MP11	CF/CM/CU48D	0.95	0.96	0.99
TM8Y080C16MP11	CF/CM/CU48C	0.95	0.92	1.03
TM8Y080C16MP11	CF/CM/CU48D	0.95	0.92	1.03
TM8Y100C16MP11	CF/CM/CU48C	0.95	0.92	1.03
TM8Y100C16MP11	CF/CM/CU48D	0.95	0.92	1.03
TM8Y100C20MP11	CF/CM/CU48C	0.95	0.93	1.02
TM8Y100C20MP11	CF/CM/CU48D	0.95	0.96	0.99
TM8Y120C20MP11	CF/CM/CU48C	0.95	0.93	1.02
TM8Y120C20MP11	CF/CM/CU48D	0.95	0.96	0.99
TM9E080C16MP11	CF/CM/CU48D	0.96	0.90	1.06
TM9E080C20MP12	CF/CM/CU48C	0.95	0.93	1.03
TM9E080C20MP12	CF/CM/CU48D	0.95	0.93	1.02
TM9E100C16MP11	CF/CM/CU48C	0.95	0.91	1.04
TM9E100C16MP11	CF/CM/CU48D	0.95	0.91	1.04
TM9E100C20MP11	CF/CM/CU48C	0.96	0.93	1.03
TM9E100C20MP11	CF/CM/CU48D	0.95	0.93	1.03
TM9E100C20MP12	CF/CM/CU48C	0.95	0.93	1.03
TM9E100C20MP12	CF/CM/CU48D	0.95	0.93	1.02
TM9E120D20MP11	CF/CM/CU48D	0.95	0.93	1.03
TM9E120D20MP12	CF/CM/CU48D	0.95	0.92	1.03
TM9V080C16MP12C	CF/CM/CU48D	0.95	0.92	1.04
TM9V100C16MP12C	CF/CM/CU48C	0.95	0.94	1.01

## FURNACE MULTIPLIERS - 3.5 TON (Continued)

Furnaces	Coil	MBH	COP	KW
TM9V100C16MP12C	CF/CM/CU48D	0.95	0.94	1.01
TM9V100C20MP12C	CF/CM/CU48C	0.96	0.93	1.03
TM9V100C20MP12C	CF/CM/CU48D	0.94	0.94	1.01
TM9V120D20MP12C	CF/CM/CU48D	0.95	0.95	1.00
TM9Y080C16MP11	CF/CM/CU48D	0.96	0.90	1.06
TM9Y100C16MP11	CF/CM/CU48C	0.95	0.91	1.04
TM9Y100C16MP11	CF/CM/CU48D	0.95	0.91	1.04
TM9Y100C20MP11	CF/CM/CU48C	0.96	0.93	1.03
TM9Y100C20MP11	CF/CM/CU48D	0.95	0.93	1.03
TM9Y120D20MP11	CF/CM/CU48D	0.95	0.93	1.03
TMLE080C16MP11	CF/CM/CU48C	0.96	0.89	1.08
TMLE080C16MP11	CF/CM/CU48D	0.95	0.94	1.01
TMLE080C20MP11	CF/CM/CU48C	0.95	0.92	1.02
TMLE080C20MP11	CF/CM/CU48D	0.95	0.95	1.00
TMLE100C16MP11	CF/CM/CU48C	0.96	0.89	1.08
TMLE100C16MP11	CF/CM/CU48D	0.95	0.94	1.01
TMLE100C20MP11	CF/CM/CU48C	0.95	0.93	1.02
TMLE100C20MP11	CF/CM/CU48D	0.95	0.95	1.00
TMLE120C16MP11	CF/CM/CU48C	0.95	0.94	1.01
TMLE120C16MP11	CF/CM/CU48D	0.95	0.94	1.01
TMLE120C20MP11	CF/CM/CU48C	0.95	0.95	1.00
TMLE120C20MP11	CF/CM/CU48D	0.95	0.95	1.00
TMLE130D20MP11	CF/CM/CU48D	0.95	0.95	1.00
TMLV100C16MP12C	CF/CM/CU48C	0.95	0.92	1.03
TMLV100C16MP12C	CF/CM/CU48D	0.95	0.93	1.03
TMLV120C20MP12C	CF/CM/CU48C	0.95	0.94	1.01
TMLV120C20MP12C	CF/CM/CU48D	0.95	0.95	1.00
TMLX080C16MP11	CF/CM/CU48C	0.95	0.92	1.03
TMLX080C16MP11	CF/CM/CU48D	0.95	0.92	1.03
TMLX100C20MP11	CF/CM/CU48C	0.95	0.93	1.02
TMLX100C20MP11	CF/CM/CU48D	0.95	0.96	0.99
TMLX120C20MP11	CF/CM/CU48C	0.95	0.93	1.02
TMLX120C20MP11	CF/CM/CU48D	0.95	0.96	0.99
TP9C080C16MP13C	CF/CM/CU48D	0.95	0.92	1.04
TP9C100C16MP13C	CF/CM/CU48C	0.95	0.94	1.01
TP9C100C16MP13C	CF/CM/CU48D	0.95	0.94	1.01
TP9C100C20MP13C	CF/CM/CU48C	0.96	0.93	1.03
TP9C100C20MP13C	CF/CM/CU48D	0.94	0.94	1.01
TP9C120D20MP13C	CF/CM/CU48D	0.95	0.95	1.00
TPLC080C16MP13C	CF/CM/CU48C	0.95	0.92	1.03
TPLC080C16MP13C	CF/CM/CU48D	0.95	0.93	1.03
TPLC100C16MP13C	CF/CM/CU48C	0.95	0.92	1.03
TPLC100C16MP13C	CF/CM/CU48D	0.95	0.93	1.03
TPLC100C20MP13C	CF/CM/CU48C	0.95	0.94	1.01
TPLC100C20MP13C	CF/CM/CU48D	0.95	0.95	1.00
YP9C080C16MP13C	CF/CM/CU48D	0.95	0.92	1.04
YP9C100C16MP13C	CF/CM/CU48C	0.95	0.94	1.01
YP9C100C16MP13C	CF/CM/CU48D	0.95	0.94	1.01
YP9C100C20MP13C	CF/CM/CU48C	0.96	0.93	1.03
YP9C100C20MP13C	CF/CM/CU48D	0.94	0.94	1.01
YP9C120D20MP13C	CF/CM/CU48D	0.95	0.95	1.00
YPLC080C16MP13C	CF/CM/CU48C	0.95	0.92	1.03
YPLC080C16MP13C	CF/CM/CU48D	0.95	0.93	1.03
YPLC100C16MP13C	CF/CM/CU48C	0.95	0.92	1.03
YPLC100C16MP13C	CF/CM/CU48D	0.95	0.93	1.03
YPLC100C20MP13C	CF/CM/CU48C	0.95	0.94	1.01
YPLC100C20MP13C	CF/CM/CU48D	0.95	0.95	1.00
YPLC120C20MP13C	CF/CM/CU48C	0.95	0.94	1.01
YPLC120C20MP13C	CF/CM/CU48D	0.95	0.95	1.00

## PERFORMANCE DATA - 4 TON

CONDENSER-ONLY DATA (OUTDOOR UNIT)																
MODEL	SATURATED SUCTION @ COMPRESSOR		Outdoor Ambient Temperature													
			65 °F		75 °F		85 °F		95 °F		105 °F		115 °F		125 °F	
	T (°F)	P (PSIG)	MBH	KW	MBH	KW	MBH	KW	MBH	KW	MBH	KW	MBH	KW	MBH	KW
YEE48B21S	35	107	45.6	2.40	43.3	2.70	40.6	3.02	38.0	3.37	35.0	3.75	31.9	4.19	28.5	4.70
	40	119	50.1	2.42	47.4	2.72	44.7	3.04	41.7	3.39	38.5	3.77	35.1	4.22	31.4	4.73
	45	130	54.8	2.45	51.8	2.75	48.9	3.06	45.6	3.41	42.3	3.80	38.4	4.24	34.4	4.75
	50	143	59.9	2.47	56.6	2.77	53.3	3.08	49.7	3.43	45.9	3.81	41.9	4.25	37.6	4.76
	55	156	64.8	2.50	61.1	2.79	57.6	3.10	53.6	3.45	49.7	3.84	45.2	4.27	40.6	4.77

## Notes:

- For Outdoor Unit (Condenser) performance only. Data does not include the effects of air handler power or heat.
- Performance based on 15°F subcooling and 15°F superheat at the Outdoor Unit base valves.
  - Increase capacity by 1% for each 2°F increase in subcooling.
  - Decrease capacity by 1% for each 2°F decrease in subcooling.
- Maximum recommended condensing temperature is 140°F.

COOLING PERFORMANCE DATA																	
AIR CONDITIONER MODEL NO.		YEE48B21S															
AIR TEMP. ENTERING OUTDOOR UNIT (°F)	IDCFM	1200					1500					1800					
		ID DB (°F)	80	80	75	80	80	80	80	75	80	80	80	80	75	80	80
		ID WB (°F)	57	62	62	67	72	57	62	62	67	72	57	62	62	67	72
55	T.C.	42.8	46.6	47.1	50.9	55.1	45.0	47.9	48.5	52.4	56.0	47.1	49.1	49.9	53.8	57.0	
	S.C.	42.8	38.9	33.3	32.8	26.1	44.9	42.5	36.0	35.5	27.2	47.0	46.1	38.8	38.3	28.2	
	KW	2.59	2.59	2.59	2.57	2.56	2.69	2.69	2.69	2.67	2.67	2.79	2.79	2.80	2.78	2.77	
65	T.C.	41.5	44.9	45.7	49.5	54.1	43.6	46.3	47.3	51.1	55.5	45.8	47.7	48.9	52.8	57.0	
	S.C.	41.4	37.8	32.4	32.0	25.8	43.5	41.6	35.4	35.0	27.4	45.7	45.5	38.5	38.0	28.9	
	KW	2.89	2.89	2.89	2.89	2.88	3.00	2.99	3.00	2.99	2.99	3.11	3.10	3.11	3.10	3.10	
75	T.C.	40.1	43.2	44.2	48.0	53.1	42.2	44.8	46.1	49.9	55.0	44.4	46.4	47.9	51.7	56.9	
	S.C.	40.0	36.7	31.6	31.3	25.5	42.2	40.8	34.9	34.5	27.5	44.4	44.9	38.2	37.8	29.6	
	KW	3.19	3.19	3.20	3.20	3.19	3.31	3.30	3.31	3.31	3.31	3.42	3.40	3.42	3.42	3.43	
85	T.C.	38.4	41.5	42.2	45.8	51.3	40.3	43.1	43.7	47.6	53.1	42.3	44.8	45.3	49.3	54.8	
	S.C.	38.3	36.2	30.6	30.4	24.7	40.3	40.3	33.8	33.6	26.7	42.3	44.4	36.9	36.9	28.8	
	KW	3.55	3.56	3.56	3.57	3.56	3.67	3.67	3.67	3.68	3.68	3.78	3.78	3.78	3.79	3.80	
95	T.C.	36.7	39.7	40.1	43.6	49.4	38.4	41.4	41.4	45.3	51.1	40.2	43.2	42.7	47.0	52.7	
	S.C.	36.6	35.6	29.7	29.4	23.9	38.4	39.8	32.7	32.7	26.0	40.1	43.1	35.7	36.0	28.0	
	KW	3.91	3.92	3.92	3.93	3.93	4.03	4.04	4.04	4.05	4.05	4.15	4.15	4.15	4.16	4.17	
105	T.C.	35.0	37.7	38.0	41.5	47.2	36.7	39.3	39.1	42.9	48.9	38.4	40.8	40.3	44.3	50.6	
	S.C.	35.0	34.5	28.8	28.7	23.1	36.6	38.3	31.8	31.8	25.0	38.3	40.7	34.7	35.0	26.9	
	KW	4.29	4.31	4.30	4.32	4.32	4.41	4.42	4.41	4.43	4.44	4.53	4.53	4.53	4.55	4.56	
115	T.C.	33.0	33.8	33.7	37.1	42.8	35.0	35.5	34.6	38.0	44.7	37.0	38.6	35.5	38.9	46.5	
	S.C.	31.6	32.4	27.2	27.3	21.3	33.2	34.9	30.0	30.2	23.0	34.7	36.0	32.9	33.0	24.7	
	KW	5.06	5.09	5.06	5.09	5.10	5.18	5.19	5.17	5.20	5.22	5.30	5.29	5.29	5.32	5.34	
125	T.C.	31.3	31.9	31.6	35.0	40.7	33.3	34.0	32.4	35.6	42.5	35.2	36.8	33.1	36.2	44.4	
	S.C.	29.9	31.3	26.3	26.6	20.5	31.4	32.7	29.1	29.3	22.1	32.9	33.6	31.9	32.1	23.6	
	KW	5.45	5.48	5.44	5.47	5.49	5.57	5.57	5.55	5.59	5.61	5.69	5.66	5.66	5.70	5.72	

**NOTE:** ALL CAPACITIES INCLUDE INDOOR FAN HEAT. KW VALUES ARE FOR THE SYSTEM (OUTDOOR + INDOOR).

Green shaded cells are ACCA (TVA) conditions.

Blue shaded cells are AHRI conditions.

## Multipliers for determining the performance with other indoor sections.

**NOTE:** For dry bulb temperatures different than those listed (between 73-87 °F), sensible capacity increases by 1060 BTUH per 1000 CFM per degree above the listed temperature and decreases by 1060 BTUH per 1000 CFM per degree below the listed temperature.

**COIL MULTIPLIERS - 4 TON**

Air Handler	Coil	T.C.	S.C.	KW
AE48CX21	–	0.99	1.03	0.93
AE48DBC21	–	0.99	1.00	0.93
AE48DX21	–	0.99	1.00	0.93
AVC48CX21	–	0.99	1.00	0.95
AVC48DX21	–	0.99	1.00	0.93
ME16CN21	CF/CM/48C	0.99	1.00	0.95
ME20DN21	CF/CM/48D	0.99	0.99	0.92
MVC14DN21	CF/CM/48D	0.99	1.00	0.93
MVC16CN21	CF/CM/48C	0.98	0.99	0.92
MVC20DN21	CF/CM/48D	0.99	1.00	0.93

**FURNACE MULTIPLIERS - 4 TON**

Furnaces	Coil	T.C.	S.C.	KW
TL8E080C16UH11	CF/CM/CU48C	0.99	0.99	0.96
TL8E080C16UH11	CF/CM/CU48D	0.98	0.99	0.96
TL8E100C20UH11	CF/CM/CU48C	0.99	1.00	0.94
TL8E100C20UH11	CF/CM/CU48D	0.99	0.99	0.94
TL9E080C16UH11	CF/CM/CU48C	0.98	0.97	0.95
TL9E080C16UH11	CF/CM/CU48D	0.98	0.97	0.95
TL9E100C20UH11	CF/CM/CU48C	0.98	0.99	0.94
TL9E100C20UH11	CF/CM/CU48D	0.99	1.00	0.94
TM8E080C16MP11	CF/CM/CU48C	0.98	0.99	0.96
TM8E080C16MP11	CF/CM/CU48D	0.98	0.99	0.96
TM8E080C20MP11	CF/CM/CU48C	0.99	1.00	0.94
TM8E080C20MP11	CF/CM/CU48D	0.99	0.99	0.94
TM8E100C16MP11	CF/CM/CU48C	0.98	0.98	0.96
TM8E100C16MP11	CF/CM/CU48D	0.98	0.98	0.96
TM8E100C20MP11	CF/CM/CU48C	0.99	1.00	0.94
TM8E100C20MP11	CF/CM/CU48D	0.99	0.99	0.94
TM8E120C16MP11	CF/CM/CU48C	0.98	0.98	0.96
TM8E120C16MP11	CF/CM/CU48D	0.98	0.98	0.96
TM8E120C20MP11	CF/CM/CU48C	0.98	0.99	0.94
TM8E120C20MP11	CF/CM/CU48D	0.98	0.99	0.94
TM8E130D20MP11	CF/CM/CU48D	0.98	0.99	0.94
TM8V080C16MP12C	CF/CM/CU48C	0.98	0.99	0.96
TM8V080C16MP12C	CF/CM/CU48D	0.98	0.99	0.96
TM8V100C16MP12C	CF/CM/CU48C	0.98	0.99	0.96
TM8V100C16MP12C	CF/CM/CU48D	0.98	0.99	0.96
TM8V100C20MP12C	CF/CM/CU48C	0.99	1.00	0.94
TM8V100C20MP12C	CF/CM/CU48D	0.99	1.00	0.94
TM8V120C20MP12C	CF/CM/CU48C	0.99	1.00	0.94
TM8V120C20MP12C	CF/CM/CU48D	0.99	1.00	0.94
TM8X080C16MP11	CF/CM/CU48C	0.97	0.97	0.97
TM8X080C16MP11	CF/CM/CU48D	0.98	0.99	0.96
TM8X100C16MP11	CF/CM/CU48C	0.97	0.97	0.97
TM8X100C16MP11	CF/CM/CU48D	0.98	0.99	0.96
TM8X100C20MP11	CF/CM/CU48C	0.98	0.99	0.94
TM8X100C20MP11	CF/CM/CU48D	0.99	1.00	0.94
TM8X120C20MP11	CF/CM/CU48C	0.98	0.99	0.94
TM8X120C20MP11	CF/CM/CU48D	0.99	1.00	0.94
TM8Y080C16MP11	CF/CM/CU48C	0.97	0.97	0.97
TM8Y080C16MP11	CF/CM/CU48D	0.98	0.99	0.96
TM8Y100C16MP11	CF/CM/CU48C	0.97	0.97	0.97
TM8Y100C16MP11	CF/CM/CU48D	0.98	0.99	0.96
TM8Y100C20MP11	CF/CM/CU48C	0.98	0.99	0.94

**FURNACE MULTIPLIERS - 4 TON (Continued)**

Furnaces	Coil	T.C.	S.C.	KW
TM8Y100C20MP11	CF/CM/CU48D	0.99	1.00	0.94
TM8Y120C20MP11	CF/CM/CU48C	0.98	0.99	0.94
TM8Y120C20MP11	CF/CM/CU48D	0.99	1.00	0.94
TM9E080C16MP11	CF/CM/CU48C	0.98	0.97	0.97
TM9E080C16MP11	CF/CM/CU48D	0.98	0.97	0.97
TM9E080C16MP12	CF/CM/CU48C	0.98	0.97	0.95
TM9E080C16MP12	CF/CM/CU48D	0.98	0.97	0.95
TM9E080C20MP12	CF/CM/CU48C	0.98	0.99	0.94
TM9E080C20MP12	CF/CM/CU48D	0.99	1.00	0.94
TM9E100C16MP11	CF/CM/CU48C	0.98	0.97	0.95
TM9E100C16MP11	CF/CM/CU48D	0.98	0.99	0.96
TM9E100C16MP12	CF/CM/CU48C	0.98	0.97	0.95
TM9E100C16MP12	CF/CM/CU48D	0.98	0.99	0.96
TM9E100C20MP11	CF/CM/CU48C	0.97	0.97	0.95
TM9E100C20MP11	CF/CM/CU48D	0.97	0.97	0.95
TM9E100C20MP12	CF/CM/CU48C	0.98	0.99	0.94
TM9E100C20MP12	CF/CM/CU48D	0.98	0.99	0.94
TM9E120D20MP11	CF/CM/CU48D	0.99	1.00	0.94
TM9E120D20MP12	CF/CM/CU48D	0.99	1.00	0.94
TM9V080C16MP12C	CF/CM/CU48C	0.98	0.98	0.97
TM9V080C16MP12C	CF/CM/CU48D	0.98	0.98	0.95
TM9V100C16MP12C	CF/CM/CU48C	0.98	0.98	0.95
TM9V100C16MP12C	CF/CM/CU48D	0.99	1.00	0.94
TM9V100C20MP12C	CF/CM/CU48C	0.98	0.98	0.95
TM9V100C20MP12C	CF/CM/CU48D	0.98	0.98	0.93
TM9V120D20MP12C	CF/CM/CU48D	0.98	0.99	0.94
TM9Y080C16MP11	CF/CM/CU48C	0.98	0.97	0.97
TM9Y080C16MP11	CF/CM/CU48D	0.98	0.97	0.97
TM9Y100C16MP11	CF/CM/CU48C	0.98	0.97	0.95
TM9Y100C16MP11	CF/CM/CU48D	0.98	0.99	0.96
TM9Y100C20MP11	CF/CM/CU48C	0.97	0.97	0.95
TM9Y100C20MP11	CF/CM/CU48D	0.97	0.97	0.95
TM9Y120D20MP11	CF/CM/CU48D	0.99	1.00	0.94
TMLE080C16MP11	CF/CM/CU48C	0.98	0.99	0.96
TMLE080C16MP11	CF/CM/CU48D	0.98	0.99	0.96
TMLE080C20MP11	CF/CM/CU48C	0.99	1.00	0.94
TMLE080C20MP11	CF/CM/CU48D	0.99	0.99	0.94
TMLE100C16MP11	CF/CM/CU48C	0.98	0.98	0.96
TMLE100C16MP11	CF/CM/CU48D	0.98	0.98	0.96
TMLE100C20MP11	CF/CM/CU48C	0.99	1.00	0.94
TMLE100C20MP11	CF/CM/CU48D	0.99	0.99	0.94
TMLE120C16MP11	CF/CM/CU48C	0.98	0.98	0.96
TMLE120C16MP11	CF/CM/CU48D	0.98	0.98	0.96
TMLE120C20MP11	CF/CM/CU48C	0.98	0.99	0.94
TMLE120C20MP11	CF/CM/CU48D	0.98	0.99	0.94
TMLE130D20MP11	CF/CM/CU48D	0.98	0.99	0.94
TMLV100C16MP12C	CF/CM/CU48C	0.98	0.99	0.96
TMLV100C16MP12C	CF/CM/CU48D	0.98	0.99	0.96
TMLV120C20MP12C	CF/CM/CU48C	0.99	1.00	0.94
TMLV120C20MP12C	CF/CM/CU48D	0.99	1.00	0.94
TMLX080C16MP11	CF/CM/CU48C	0.97	0.97	0.97
TMLX080C16MP11	CF/CM/CU48D	0.98	0.99	0.96
TMLX100C20MP11	CF/CM/CU48C	0.98	0.99	0.94
TMLX100C20MP11	CF/CM/CU48D	0.99	1.00	0.94
TMLX120C20MP11	CF/CM/CU48C	0.98	0.99	0.94

## FURNACE MULTIPLIERS - 4 TON (Continued)

Furnaces	Coil	T.C.	S.C.	KW
TMLX120C20MP11	CF/CM/CU48D	0.99	1.00	0.94
TP9C080C16MP13C	CF/CM/CU48C	0.98	0.98	0.97
TP9C080C16MP13C	CF/CM/CU48D	0.98	0.98	0.95
TP9C100C16MP13C	CF/CM/CU48C	0.98	0.98	0.95
TP9C100C16MP13C	CF/CM/CU48D	0.99	1.00	0.94
TP9C100C20MP13C	CF/CM/CU48C	0.98	0.98	0.95
TP9C100C20MP13C	CF/CM/CU48D	0.98	0.98	0.93
TP9C120D20MP13C	CF/CM/CU48D	0.98	0.99	0.94
TPLC080C16MP13C	CF/CM/CU48C	0.98	0.99	0.96
TPLC080C16MP13C	CF/CM/CU48D	0.98	0.99	0.96
TPLC100C16MP13C	CF/CM/CU48C	0.98	0.99	0.96
TPLC100C16MP13C	CF/CM/CU48D	0.98	0.99	0.96
TPLC100C20MP13C	CF/CM/CU48C	0.99	1.00	0.94
TPLC100C20MP13C	CF/CM/CU48D	0.99	1.00	0.94
YP9C080C16MP13C	CF/CM/CU48C	0.98	0.98	0.97
YP9C080C16MP13C	CF/CM/CU48D	0.98	0.98	0.95

## FURNACE MULTIPLIERS - 4 TON (Continued)

Furnaces	Coil	T.C.	S.C.	KW
YP9C100C16MP13C	CF/CM/CU48C	0.98	0.98	0.95
YP9C100C16MP13C	CF/CM/CU48D	0.99	1.00	0.94
YP9C100C20MP13C	CF/CM/CU48C	0.98	0.98	0.95
YP9C100C20MP13C	CF/CM/CU48D	0.98	0.98	0.93
YP9C120D20MP13C	CF/CM/CU48D	0.98	0.99	0.94
YPLC080C16MP13C	CF/CM/CU48C	0.98	0.99	0.96
YPLC080C16MP13C	CF/CM/CU48D	0.98	0.99	0.96
YPLC100C16MP13C	CF/CM/CU48C	0.98	0.99	0.96
YPLC100C16MP13C	CF/CM/CU48D	0.98	0.99	0.96
YPLC100C20MP13C	CF/CM/CU48C	0.99	1.00	0.94
YPLC100C20MP13C	CF/CM/CU48D	0.99	1.00	0.94
YPLC120C20MP13C	CF/CM/CU48C	0.99	1.00	0.94
YPLC120C20MP13C	CF/CM/CU48D	0.99	1.00	0.94

HEATING PERFORMANCE DATA										
CONDENSING UNIT MODEL NO		YEE48B21S								
AIR TEMP. ENTERING OUTDOOR UNIT (°F)	AIR TEMP. ENTERING INDOOR COIL (°F)	ID CFM								
		1200			1500			1800		
		MBH	COP	KW	MBH	COP	KW	MBH	COP	KW
60	60	53.7	4.20	3.75	54.8	4.41	3.64	55.9	4.64	3.53
	70	52.5	3.72	4.13	53.6	3.92	4.00	54.7	4.14	3.87
	80	51.2	3.33	4.51	52.3	3.51	4.36	53.4	3.71	4.22
47	60	47.3	3.87	3.58	48.2	4.03	3.51	49.0	4.18	3.43
	70	46.1	3.45	3.92	46.9	3.59	3.83	47.7	3.73	3.75
	80	45.0	3.09	4.27	45.7	3.22	4.16	46.4	3.35	4.06
40	60	42.8	3.59	3.49	43.8	3.74	3.44	44.9	3.89	3.38
	70	42.1	3.21	3.84	43.1	3.34	3.77	44.0	3.48	3.71
	80	41.4	2.90	4.19	42.3	3.01	4.11	43.1	3.14	4.03
30	60	36.8	3.19	3.38	38.0	3.32	3.35	39.2	3.46	3.32
	70	36.3	2.86	3.71	37.4	2.98	3.67	38.5	3.10	3.63
	80	35.7	2.59	4.05	36.7	2.69	3.99	37.7	2.81	3.94
17	60	31.0	2.80	3.23	31.4	2.85	3.23	31.9	2.89	3.23
	70	29.8	2.47	3.53	30.3	2.53	3.52	30.9	2.58	3.51
	80	28.6	2.19	3.83	29.3	2.25	3.81	30.0	2.32	3.79
10	60	27.5	2.55	3.16	28.0	2.58	3.18	28.5	2.61	3.20
	70	26.3	2.24	3.44	26.9	2.28	3.45	27.5	2.33	3.46
	80	25.1	1.97	3.73	25.8	2.03	3.73	26.5	2.09	3.73
0	60	21.8	2.11	3.03	22.3	2.12	3.08	22.7	2.13	3.12
	70	20.8	1.85	3.30	21.4	1.87	3.34	21.9	1.90	3.38
	80	19.8	1.63	3.57	20.5	1.66	3.60	21.1	1.70	3.63

NOTE: ALL CAPACITIES INCLUDE INDOOR FAN HEAT. KW VALUES ARE FOR THE SYSTEM (OUTDOOR + INDOOR).

Yellow shaded cells are AHRI High Heating conditions.

Orange shaded cells are AHRI Low Heating conditions.

Multipliers for determining the performance with other indoor sections.

**COIL MULTIPLIERS - 4 TON**

Air Handler	Coil	MBH	COP	KW
AE48CX21	–	0.97	1.01	0.97
AE48DBC21	–	1.00	1.06	0.94
AE48DX21	–	1.00	1.06	0.94
AVC48CX21	–	1.00	1.04	0.95
AVC48DX21	–	1.00	1.06	0.94
ME16CN21	CF/CM/48C	1.00	1.05	0.95
ME20DN21	CF/CM/48D	0.99	1.06	0.94
MVC14DN21	CF/CM/48D	0.99	1.06	0.93
MVC16CN21	CF/CM/48C	0.99	1.06	0.94
MVC20DN21	CF/CM/48D	0.99	1.06	0.93

**FURNACE MULTIPLIERS - 4 TON**

Furnaces	Coil	MBH	COP	KW
TL8E080C16UH11	CF/CM/48C	1.00	1.04	0.97
TL8E080C16UH11	CF/CM/48D	1.00	1.04	0.97
TL8E100C20UH11	CF/CM/48C	1.00	1.05	0.95
TL8E100C20UH11	CF/CM/48D	0.99	1.05	0.95
TL9E080C16UH11	CF/CM/48C	1.00	1.03	0.97
TL9E080C16UH11	CF/CM/48D	1.00	1.03	0.97
TL9E100C20UH11	CF/CM/48C	1.00	1.04	0.95
TL9E100C20UH11	CF/CM/48D	1.00	1.05	0.95
TM8E080C16MP11	CF/CM/48C	1.00	1.04	0.97
TM8E080C16MP11	CF/CM/48D	1.00	1.04	0.97
TM8E080C20MP11	CF/CM/48C	1.00	1.05	0.95
TM8E080C20MP11	CF/CM/48D	0.99	1.05	0.95
TM8E100C16MP11	CF/CM/48C	1.00	1.04	0.96
TM8E100C16MP11	CF/CM/48D	1.00	1.04	0.96
TM8E100C20MP11	CF/CM/48C	1.00	1.05	0.95
TM8E100C20MP11	CF/CM/48D	0.99	1.05	0.95
TM8E120C16MP11	CF/CM/48C	1.00	1.04	0.96
TM8E120C16MP11	CF/CM/48D	1.00	1.04	0.96
TM8E120C20MP11	CF/CM/48C	0.99	1.05	0.95
TM8E120C20MP11	CF/CM/48D	0.99	1.05	0.95
TM8E130D20MP11	CF/CM/48D	0.99	1.05	0.94
TM8V080C16MP12C	CF/CM/48C	1.00	1.04	0.96
TM8V080C16MP12C	CF/CM/48D	1.00	1.04	0.96
TM8V100C16MP12C	CF/CM/48C	1.00	1.04	0.96
TM8V100C16MP12C	CF/CM/48D	1.00	1.04	0.96
TM8V100C20MP12C	CF/CM/48C	1.00	1.05	0.95
TM8V100C20MP12C	CF/CM/48D	1.00	1.05	0.95
TM8V120C20MP12C	CF/CM/48C	1.00	1.05	0.95
TM8V120C20MP12C	CF/CM/48D	1.00	1.05	0.95
TM8X080C16MP11	CF/CM/48C	1.00	1.04	0.97
TM8X080C16MP11	CF/CM/48D	1.01	1.04	0.97
TM8X100C16MP11	CF/CM/48C	1.00	1.04	0.97
TM8X100C16MP11	CF/CM/48D	1.01	1.04	0.97
TM8X100C20MP11	CF/CM/48C	1.00	1.04	0.95
TM8X100C20MP11	CF/CM/48D	1.00	1.05	0.95
TM8X120C20MP11	CF/CM/48C	1.00	1.04	0.95
TM8X120C20MP11	CF/CM/48D	1.00	1.05	0.95
TM8Y080C16MP11	CF/CM/48C	1.00	1.04	0.97
TM8Y080C16MP11	CF/CM/48D	1.01	1.04	0.97
TM8Y100C16MP11	CF/CM/48C	1.00	1.04	0.97
TM8Y100C16MP11	CF/CM/48D	1.01	1.04	0.97

**FURNACE MULTIPLIERS - 4 TON (Continued)**

Furnaces	Coil	MBH	COP	KW
TM8Y100C20MP11	CF/CM/48C	1.00	1.04	0.95
TM8Y100C20MP11	CF/CM/48D	1.00	1.05	0.95
TM8Y120C20MP11	CF/CM/48C	1.00	1.04	0.95
TM8Y120C20MP11	CF/CM/48D	1.00	1.05	0.95
TM9E080C16MP11	CF/CM/48C	1.00	1.03	0.97
TM9E080C16MP11	CF/CM/48D	1.00	1.03	0.97
TM9E080C16MP12	CF/CM/48C	1.00	1.03	0.97
TM9E080C16MP12	CF/CM/48D	1.00	1.03	0.97
TM9E080C20MP12	CF/CM/48C	1.00	1.04	0.95
TM9E080C20MP12	CF/CM/48D	1.00	1.05	0.95
TM9E100C16MP11	CF/CM/48C	1.00	1.03	0.97
TM9E100C16MP11	CF/CM/48D	1.00	1.03	0.97
TM9E100C16MP12	CF/CM/48C	1.00	1.03	0.97
TM9E100C16MP12	CF/CM/48D	1.00	1.03	0.97
TM9E100C20MP11	CF/CM/48C	1.00	1.04	0.97
TM9E100C20MP11	CF/CM/48D	1.00	1.04	0.96
TM9E100C20MP12	CF/CM/48C	1.00	1.04	0.95
TM9E100C20MP12	CF/CM/48D	1.00	1.04	0.95
TM9E120D20MP11	CF/CM/48D	1.00	1.05	0.95
TM9E120D20MP12	CF/CM/48D	1.00	1.05	0.95
TM9V080C16MP12C	CF/CM/48C	1.01	1.03	0.98
TM9V080C16MP12C	CF/CM/48D	1.01	1.03	0.97
TM9V100C16MP12C	CF/CM/48C	1.00	1.04	0.96
TM9V100C16MP12C	CF/CM/48D	1.00	1.04	0.96
TM9V100C20MP12C	CF/CM/48C	1.00	1.04	0.96
TM9V100C20MP12C	CF/CM/48D	1.00	1.04	0.96
TM9V120D20MP12C	CF/CM/48D	1.00	1.04	0.95
TM9Y080C16MP11	CF/CM/48C	1.00	1.03	0.97
TM9Y080C16MP11	CF/CM/48D	1.00	1.03	0.97
TM9Y100C16MP11	CF/CM/48C	1.00	1.03	0.97
TM9Y100C16MP11	CF/CM/48D	1.00	1.03	0.97
TM9Y100C20MP11	CF/CM/48C	1.00	1.04	0.97
TM9Y100C20MP11	CF/CM/48D	1.00	1.04	0.96
TM9Y120D20MP11	CF/CM/48D	1.00	1.05	0.95
TMLE080C16MP11	CF/CM/48C	1.00	1.04	0.97
TMLE080C16MP11	CF/CM/48D	1.00	1.04	0.97
TMLE080C20MP11	CF/CM/48C	1.00	1.05	0.95
TMLE080C20MP11	CF/CM/48D	0.99	1.05	0.95
TMLE100C16MP11	CF/CM/48C	1.00	1.04	0.96
TMLE100C16MP11	CF/CM/48D	1.00	1.04	0.96
TMLE100C20MP11	CF/CM/48C	1.00	1.05	0.95
TMLE100C20MP11	CF/CM/48D	0.99	1.05	0.95
TMLE120C16MP11	CF/CM/48C	1.00	1.04	0.96
TMLE120C16MP11	CF/CM/48D	1.00	1.04	0.96
TMLE120C20MP11	CF/CM/48C	0.99	1.05	0.95
TMLE120C20MP11	CF/CM/48D	0.99	1.05	0.95
TMLE130D20MP11	CF/CM/48D	0.99	1.05	0.94
TMLV100C16MP12C	CF/CM/48C	1.00	1.04	0.96
TMLV100C16MP12C	CF/CM/48D	1.00	1.04	0.96
TMLV120C20MP12C	CF/CM/48C	1.00	1.05	0.95
TMLV120C20MP12C	CF/CM/48D	1.00	1.05	0.95
TMLX080C16MP11	CF/CM/48C	1.00	1.04	0.97
TMLX080C16MP11	CF/CM/48D	1.01	1.04	0.97
TMLX100C20MP11	CF/CM/48C	1.00	1.04	0.95
TMLX100C20MP11	CF/CM/48D	1.00	1.05	0.95

**FURNACE MULTIPLIERS - 4 TON (Continued)**

Furnaces	Coil	MBH	COP	KW
TMLX120C20MP11	CF/CM/CU48C	1.00	1.04	0.95
TMLX120C20MP11	CF/CM/CU48D	1.00	1.05	0.95
TP9C080C16MP13C	CF/CM/CU48C	1.01	1.03	0.98
TP9C080C16MP13C	CF/CM/CU48D	1.01	1.03	0.97
TP9C100C16MP13C	CF/CM/CU48C	1.00	1.04	0.96
TP9C100C16MP13C	CF/CM/CU48D	1.00	1.04	0.96
TP9C100C20MP13C	CF/CM/CU48C	1.00	1.04	0.96
TP9C100C20MP13C	CF/CM/CU48D	1.00	1.04	0.96
TP9C120D20MP13C	CF/CM/CU48D	1.00	1.04	0.95
TPLC080C16MP13C	CF/CM/CU48C	1.00	1.04	0.96
TPLC080C16MP13C	CF/CM/CU48D	1.00	1.04	0.96
TPLC100C16MP13C	CF/CM/CU48C	1.00	1.04	0.96
TPLC100C16MP13C	CF/CM/CU48D	1.00	1.04	0.96
TPLC100C20MP13C	CF/CM/CU48C	1.00	1.05	0.95
TPLC100C20MP13C	CF/CM/CU48D	1.00	1.05	0.95
YP9C080C16MP13C	CF/CM/CU48C	1.01	1.03	0.98

**FURNACE MULTIPLIERS - 4 TON (Continued)**

Furnaces	Coil	MBH	COP	KW
YP9C080C16MP13C	CF/CM/CU48D	1.01	1.03	0.97
YP9C100C16MP13C	CF/CM/CU48C	1.00	1.04	0.96
YP9C100C16MP13C	CF/CM/CU48D	1.00	1.04	0.96
YP9C100C20MP13C	CF/CM/CU48C	1.00	1.04	0.96
YP9C100C20MP13C	CF/CM/CU48D	1.00	1.04	0.96
YP9C120D20MP13C	CF/CM/CU48D	1.00	1.04	0.95
YPLC080C16MP13C	CF/CM/CU48C	1.00	1.04	0.96
YPLC080C16MP13C	CF/CM/CU48D	1.00	1.04	0.96
YPLC100C16MP13C	CF/CM/CU48C	1.00	1.04	0.96
YPLC100C16MP13C	CF/CM/CU48D	1.00	1.04	0.96
YPLC100C20MP13C	CF/CM/CU48C	1.00	1.05	0.95
YPLC100C20MP13C	CF/CM/CU48D	1.00	1.05	0.95
YPLC120C20MP13C	CF/CM/CU48C	1.00	1.05	0.95
YPLC120C20MP13C	CF/CM/CU48D	1.00	1.05	0.95

**PERFORMANCE DATA - 5 TON**

CONDENSER-ONLY DATA (OUTDOOR UNIT)																
MODEL	SATURATED SUCTION @ COMPRESSOR		Outdoor Ambient Temperature													
			65 °F		75 °F		85 °F		95 °F		105 °F		115 °F		125 °F	
	T (°F)	P (PSIG)	MBH	KW	MBH	KW	MBH	KW	MBH	KW	MBH	KW	MBH	KW	MBH	KW
YEE60B21S	35	107	53.2	2.83	50.2	3.30	47.3	3.77	44.3	4.24	41.4	4.72	38.4	5.19	35.5	5.66
	40	119	59.0	2.83	55.7	3.30	52.4	3.77	49.1	4.23	45.9	4.70	42.6	5.17	39.3	5.63
	45	130	64.7	2.84	61.1	3.30	57.5	3.76	53.9	4.22	50.4	4.68	46.8	5.14	43.2	5.60
	50	143	70.5	2.84	66.6	3.30	62.7	3.75	58.8	4.21	54.8	4.66	50.9	5.12	47.0	5.57
	55	156	76.3	2.85	72.1	3.30	67.8	3.75	63.6	4.20	59.3	4.65	55.1	5.09	50.9	5.54

**Notes:**

- For Outdoor Unit (Condenser) performance only. Data does not include the effects of air handler power or heat.
- Performance based on 15°F subcooling and 15°F superheat at the Outdoor Unit base valves.
  - Increase capacity by 1% for each 2°F increase in subcooling.
  - Decrease capacity by 1% for each 2°F decrease in subcooling.
- Maximum recommended condensing temperature is 140°F.

COOLING PERFORMANCE DATA																
AIR CONDITIONER MODEL NO.		YEE60B21S														
AIR TEMP. ENTERING OUTDOOR UNIT (°F)	IDCFM	1500					1750					2000				
	ID DB (°F)	80	80	75	80	80	80	80	75	80	80	80	80	75	80	80
	ID WB (°F)	57	62	62	67	72	57	62	62	67	72	57	62	62	67	72
55	T.C.	58.6	58.5	58.3	63.6	66.7	61.4	60.0	59.8	65.0	67.8	64.1	61.5	61.3	66.3	68.8
	S.C.	58.6	58.5	58.3	63.6	66.7	61.4	60.0	59.8	65.0	67.8	64.1	61.5	61.3	66.3	68.8
	KW	3.15	3.16	3.17	3.17	3.22	3.25	3.25	3.26	3.27	3.31	3.34	3.34	3.36	3.37	3.40
65	T.C.	56.5	56.6	56.8	61.9	66.4	59.4	58.1	58.3	63.5	67.7	62.4	59.5	59.9	65.1	69.0
	S.C.	56.5	56.6	56.8	61.9	66.4	59.4	58.1	58.3	63.5	67.7	62.4	59.5	59.9	65.1	69.0
	KW	3.50	3.54	3.52	3.54	3.58	3.60	3.62	3.63	3.64	3.67	3.71	3.70	3.73	3.74	3.77
75	T.C.	54.3	54.8	55.2	60.2	66.1	57.5	56.2	56.8	62.1	67.6	60.7	57.5	58.4	63.9	69.1
	S.C.	54.3	54.8	55.2	60.2	66.1	57.5	56.2	56.8	62.1	67.6	60.7	57.5	58.4	63.9	69.1
	KW	3.85	3.92	3.88	3.91	3.93	3.96	3.99	3.99	4.01	4.04	4.07	4.06	4.10	4.11	4.14
85	T.C.	50.5	52.1	52.3	57.4	63.9	53.3	53.5	53.7	59.0	65.4	56.1	54.8	55.2	60.7	67.0
	S.C.	50.5	52.1	52.3	57.4	63.9	53.3	53.5	53.7	59.0	65.4	56.1	54.8	55.2	60.7	67.0
	KW	4.29	4.35	4.32	4.35	4.37	4.41	4.44	4.42	4.46	4.47	4.52	4.52	4.52	4.56	4.58
95	T.C.	46.8	49.4	49.4	54.5	61.6	49.2	50.8	50.7	56.0	63.2	51.5	52.2	51.9	57.5	64.8
	S.C.	46.8	49.4	49.4	54.5	61.6	49.2	50.8	50.7	56.0	63.2	51.5	52.2	51.9	57.5	64.8
	KW	4.74	4.79	4.76	4.80	4.81	4.86	4.89	4.85	4.90	4.91	4.97	4.99	4.95	5.01	5.01
105	T.C.	44.8	47.2	47.2	52.4	58.9	46.9	48.6	48.5	53.8	60.6	49.0	49.9	49.7	55.3	62.2
	S.C.	44.8	47.2	47.2	52.4	58.9	46.9	48.6	48.5	53.8	60.6	49.0	49.9	49.7	55.3	62.2
	KW	5.21	5.25	5.23	5.27	5.29	5.33	5.35	5.32	5.37	5.39	5.45	5.45	5.41	5.47	5.49
115	T.C.	40.8	42.8	42.7	48.1	53.6	42.3	44.1	44.0	49.4	55.3	43.9	45.4	45.4	50.7	57.1
	S.C.	40.8	42.8	42.7	48.1	53.6	42.3	44.1	44.0	49.4	55.3	43.9	45.4	45.4	50.7	57.1
	KW	6.16	6	6.17	6.22	6.24	6.27	6.27	6.26	6.31	6.34	6.39	6.37	6.34	6.41	6.44
125	T.C.	38.8	40.6	40.4	45.9	50.9	40.1	41.8	41.8	47.2	52.7	41.3	43.1	43.2	48.4	54.5
	S.C.	38.8	40.6	40.4	45.9	50.9	40.1	41.8	41.8	47.2	52.7	41.3	43.1	43.2	48.4	54.5
	KW	6.63	7	6.65	6.69	6.71	6.75	6.73	6.72	6.78	6.81	6.86	6.83	6.80	6.88	6.92

**NOTE:** ALL CAPACITIES INCLUDE INDOOR FAN HEAT. KW VALUES ARE FOR THE SYSTEM (OUTDOOR + INDOOR).

Green shaded cells are ACCA (TVA) conditions.

Blue shaded cells are AHRI conditions.

### Multipliers for determining the performance with other indoor sections.

**NOTE:** For dry bulb temperatures different than those listed (between 73-87 °F), sensible capacity increases by 1060 BTUH per 1000 CFM per degree above the listed temperature and decreases by 1060 BTUH per 1000 CFM per degree below the listed temperature.

### COIL MULTIPLIERS - 5 TON

Air Handler	Coil	T.C.	S.C.	KW
AE60DX21	–	1.02	1.04	0.94
AVC60DX21	–	1.02	1.02	0.92
ME20DN21	CF/CM64DXA1	1.02	1.03	0.91
MVC20DN21	CF/CM64DXA1	1.02	1.03	0.91

### FURNACE MULTIPLIERS - 5 TON

Furnaces	Coil	T.C.	S.C.	KW
TM8E080C20MP11	CF/CM64DXA1	1.02	1.03	0.93
TM8E100C20MP11	CF/CM64DXA1	1.02	1.03	0.94
TM8E120C20MP11	CF/CM64DXA1	1.02	1.03	0.93
TM9E080C20MP12	CF/CM64DXA1	1.02	1.02	0.93
TM9E100C20MP12	CF/CM64DXA1	1.02	1.03	0.93
TMLE080C20MP11	CF/CM64DXA1	1.02	1.03	0.93
TMLE100C20MP11	CF/CM64DXA1	1.02	1.03	0.94
TMLE120C20MP11	CF/CM64DXA1	1.02	1.03	0.93

HEATING PERFORMANCE DATA										
CONDENSING UNIT MODEL NO		YEE60B21S								
AIR TEMP. ENTERING OUTDOOR UNIT (°F)	AIR TEMP. ENTERING INDOOR COIL (°F)	ID CFM								
		1500			1750			2000		
		MBH	COP	KW	MBH	COP	KW	MBH	COP	KW
60	60	69.2	4.56	4.45	70.3	4.76	4.33	71.3	4.97	4.21
	70	67.4	4.05	4.88	68.5	4.23	4.75	69.5	4.41	4.62
	80	65.6	3.62	5.31	66.7	3.78	5.17	67.7	3.94	5.03
47	60	58.9	4.09	4.22	59.9	4.24	4.14	60.9	4.39	4.06
	70	57.1	3.61	4.63	58.1	3.75	4.54	59.1	3.89	4.46
	80	55.3	3.21	5.04	56.4	3.34	4.95	57.4	3.46	4.86
40	60	52.9	3.79	4.09	53.4	3.87	4.04	53.9	3.95	4.00
	70	50.6	3.30	4.49	51.3	3.39	4.44	52.1	3.47	4.39
	80	48.4	2.89	4.90	49.3	2.98	4.84	50.2	3.07	4.79
30	60	45.0	3.35	3.94	45.9	3.44	3.91	46.9	3.53	3.89
	70	44.4	3.01	4.31	45.2	3.09	4.28	46.1	3.17	4.25
	80	43.8	2.74	4.69	44.5	2.80	4.66	45.3	2.87	4.62
17	60	37.6	2.94	3.75	37.4	2.96	3.70	37.1	2.98	3.65
	70	36.0	2.59	4.08	36.6	2.64	4.06	37.2	2.70	4.03
	80	34.5	2.29	4.42	35.9	2.38	4.41	37.2	2.47	4.41
10	60	32.5	2.64	3.61	33.4	2.70	3.63	34.3	2.75	3.66
	70	31.7	2.35	3.95	32.3	2.39	3.96	32.9	2.43	3.97
	80	30.9	2.11	4.29	31.2	2.13	4.29	31.5	2.16	4.29
0	60	25.6	2.29	3.27	28.2	2.40	3.44	30.8	2.52	3.58
	70	25.9	2.09	3.62	26.6	2.11	3.70	27.3	2.12	3.76
	80	26.1	1.93	3.97	24.9	1.85	3.96	23.7	1.76	3.94

NOTE: ALL CAPACITIES INCLUDE INDOOR FAN HEAT. KW VALUES ARE FOR THE SYSTEM (OUTDOOR + INDOOR).

Yellow shaded cells are AHRI High Heating conditions.

Orange shaded cells are AHRI Low Heating conditions.

**Multipliers for determining the performance with other indoor sections.**

**COIL MULTIPLIERS - 5 TON**

Air Handler	Coil	T.C.	S.C.	KW
AE60DX21	–	0.97	1.00	0.97
AVC60DX21	–	0.98	1.03	0.95
ME20DN21	CF/CM64DXA1	0.97	1.02	0.95
MVC20DN21	CF/CM64DXA1	0.97	1.02	0.95

**FURNACE MULTIPLIERS - 5 TON**

Furnaces	Coil	T.C.	S.C.	KW
TM8E080C20MP11	CF/CM64DXA1	0.97	1.02	0.95
TM8E100C20MP11	CF/CM64DXA1	0.97	1.02	0.95
TM8E120C20MP11	CF/CM64DXA1	0.97	1.03	0.95
TM9E080C20MP12	CF/CM64DXA1	0.97	1.02	0.95
TM9E100C20MP12	CF/CM64DXA1	0.97	1.03	0.95
TMLE080C20MP11	CF/CM64DXA1	0.97	1.02	0.95
TMLE100C20MP11	CF/CM64DXA1	0.97	1.02	0.95
TMLE120C20MP11	CF/CM64DXA1	0.97	1.03	0.95