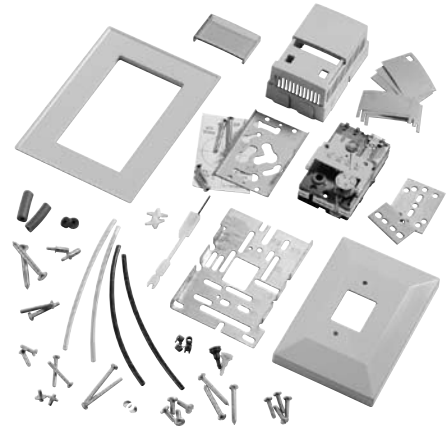


## **RETROLINE®** Powerstar Retrostat Pneumatic Room Thermostats

**RETROLINE®**  
easily replaces:

- Barber-Colman (Siebe)
- Johnson Controls
- Honeywell
- Robertshaw (Siebe)



192/194 Dual Setpoint Pneumatic Room Thermostat Kit.

### Description

The Powerstar Retroline Retrostat Pneumatic Room Thermostat converts most existing pneumatic room thermostats to a Powerstar 192/194 direct or reverse acting, 2-pipe, single or dual setpoint unit.

Day/Night or Heat/Cool Retrostat is factory calibrated to match the appropriate changeover pressure of the competitive thermostat.

### Features

- Complete kit including Retrostat cover kit with exposed or concealed setpoint adjustment
- Setpoint dials available in Fahrenheit or Celsius scales
- Factory calibrated for accuracy
- All installation hardware and calibration wrench provided.
- Fits into large format wall openings, using included "goof plate."
- Integral, field adjustable limit stops
- Test port for fast check of output pressure without removing the cover
- Field replaceable thermometer, setpoint dial(s), restrictor(s), and filter(s)

### Options

- Quick-connect air connections for ease of installation and service
- Large, 1/2" setpoint knob for convalescent homes

### Applications

Retroline Retrostat kits are available for most 2-pipe applications in direct and reverse acting models, including:

- Single Temperature
- Day/Night
- Heat/Cool

Refer to the Powerstar products to select the appropriate application.

# 192/194 Pneumatic Room Thermostats Specifications

Single Setpoint			
Description	Thermometer & Setpoint Scales	Control Action	
		Direct	Reverse
Single Temperature	°F	<b>192-840</b>	<b>192-841</b>
	°C	<b>192-850</b>	<b>192-851</b>

Kits include covers.

If a different cover is required, refer to the Accessories and Service Kit section.



Dual Setpoint				
Action/Changeover Pressure	Manufacturer	Thermometer & Setpoint Scales	Kit Part No. (Desert Beige)	Kit Part No. (White)
<b>Day/Night</b>				
<b>Day</b> (DA) 13 psi (90 kPa) / <b>Night</b> (DA) 18 psi (124 kPa)	Honeywell	°F	<b>194-3042</b>	<b>194-3042W</b>
<b>Day</b> (DA) 13 psi (90 kPa) / <b>Night</b> (DA) 18 psi (124 kPa)	Honeywell	°C	<b>194-3142</b>	<b>194-3142W</b>
<b>Day</b> (DA) 15 psi (103 kPa) / <b>Night</b> (DA) 20 psi (138 kPa)	Johnson/B-C	°F	<b>194-3043</b>	<b>194-3043W</b>
<b>Day</b> (DA) 15 psi (103 kPa) / <b>Night</b> (DA) 20 psi (138 kPa)	Johnson/B-C	°C	<b>194-3143</b>	<b>194-3143W</b>
<b>Day</b> (DA) 18 psi (124 kPa) / <b>Night</b> (DA) 25 psi (172 kPa)	Siemens	°F	<b>192-3044</b>	<b>192-3044W</b>
<b>Day</b> (DA) 18 psi (124 kPa) / <b>Night</b> (DA) 25 psi (172 kPa)	Siemens	°C	<b>192-3144</b>	<b>192-3144W</b>
<b>Day</b> (RA) 13 psi (90 kPa) / <b>Night</b> (RA) 18 psi (124 kPa)	Honeywell	°F	<b>194-3052</b>	<b>194-3052W</b>
<b>Day</b> (RA) 15 psi (103 kPa) / <b>Night</b> (RA) 20 psi (138 kPa)	Johnson/B-C	°F	<b>194-3053</b>	<b>194-3053W</b>
<b>Day</b> (RA) 18 psi (124 kPa) / <b>Night</b> (RA) 25 psi (172 kPa)	Siemens	°F	<b>192-3054</b>	<b>192-3054W</b>
<b>Day</b> (RA) 18 psi (124 kPa) / <b>Night</b> (RA) 25 psi (172 kPa)	Siemens	°C	<b>192-3154</b>	<b>192-3154W</b>
<b>Heat/Cool</b>				
<b>Heat</b> (DA) 18 psi (124 kPa) / <b>Cool</b> (RA) 13 psi (90 kPa)	Honeywell	°F	<b>194-3082</b>	<b>194-3082W</b>
<b>Heat</b> (DA) 20 psi (138 kPa) / <b>Cool</b> (RA) 15 psi (103 kPa)	Johnson/B-C	°F	<b>194-3083</b>	<b>194-3083W</b>
<b>Heat</b> (DA) 25 psi (172 kPa) / <b>Cool</b> (RA) 18 psi (124 kPa)	Siemens	°F	<b>192-3084</b>	<b>192-3084W</b>
<b>Heat</b> (DA) 25 psi (172 kPa) / <b>Cool</b> (RA) 18 psi (124 kPa)	Siemens	°C	<b>192-3184</b>	<b>192-3184W</b>

- Note:**
- For detailed specifications on Day/Night, refer to 192 DN or DNV.
  - For detailed specifications on Heat/Cool, refer to 193 HC.
  - The changeover pressures for RobertShaw thermostats are 16 psi Day/25 psi Night.
  - All kits include covers.

**Chassis Options:** Chassis with 1/2" (13 mm) diameter setpoint adjustment knob for convalescent facilities. Available in Desert Beige only. Add a "K" to the end of the Part No., for example **192-207K**.

A-16

Thermostats

## Accessories & Service Kits A-75

**Part No. in black box** Ships same day when requested through Rapid Response™ shipping. See inside back cover for details.

**SIEMENS**

# Retroline Powerstar Retrostat Pneumatic Room Thermostat Product Ordering

Manufacturer Part No.	Manufacturer	Control Action/Temperature Scale	Retroline Part No.	
			Kit	Replace. Chassis
T-4002-201 <sup>1</sup>	Johnson Controls	Single Temperature, Direct Acting	<b>192-840</b>	<b>192-202</b>
T-4002-202 <sup>1</sup>	Johnson Controls	Single Temperature, Reverse Acting	<b>192-841</b>	<b>192-203</b>
T-4002-203	Johnson Controls	Single Temperature, Direct Acting	<b>192-840</b>	<b>192-202</b>
T-4002-204	Johnson Controls	Single Temperature, Reverse Acting	<b>192-841</b>	<b>192-203</b>
T-4506-201 <sup>1</sup>	Johnson Controls	Day (DA) 15 psi (103 kPa) changeover / Night (DA) 20 psi (138 kPa)	<b>194-3043</b>	<b>194-2043</b>
T-4506-202	Johnson Controls	Day (DA) 15 psi (103 kPa) changeover / Night (DA) 20 psi (138 kPa)	<b>194-3043</b>	<b>194-2043</b>
T-4506-203 <sup>1, 2</sup>	Johnson Controls	Day (DA) 15 psi (103 kPa) changeover / Night (DA) 20 psi (138 kPa)	<b>194-3043</b>	<b>194-2043</b>
T-4506-204 <sup>2</sup>	Johnson Controls	Day (DA) 15 psi (103 kPa) changeover / Night (DA) 20 psi (138 kPa)	<b>194-3043</b>	<b>194-2043</b>
T-4506-201 <sup>1</sup>	Johnson Controls	Day (DA) 15 psi (103 kPa) changeover / Night (DA) 20 psi (138 kPa)	<b>194-3043</b>	<b>194-2043</b>
T-4506-202	Johnson Controls	Day (DA) 15 psi (103 kPa) changeover / Night (DA) 20 psi (138 kPa)	<b>194-3043</b>	<b>194-2043</b>
T-4506-203 <sup>1, 2</sup>	Johnson Controls	Day (DA) 15 psi (103 kPa) changeover / Night (DA) 20 psi (138 kPa)	<b>194-3043</b>	<b>194-2043</b>
T-4506-204 <sup>2</sup>	Johnson Controls	Day (DA) 15 psi (103 kPa) changeover / Night (DA) 20 psi (138 kPa)	<b>194-3043</b>	<b>194-2043</b>
T-4506-209 <sup>1</sup>	Johnson Controls	Day (RA) 15 psi (103 kPa) changeover / Night (RA) 20 psi (138 kPa)	<b>194-3053</b>	<b>194-2053</b>
T-4506-217 <sup>1, 2</sup>	Johnson Controls	Day (RA) 15 psi (103 kPa) changeover / Night (RA) 20 psi (138 kPa)	<b>194-3053</b>	<b>194-2053</b>
T-4756-205 <sup>1</sup>	Johnson Controls	Heat (DA) 20 psi (138 kPa) changeover / Cool (RA) 15 psi (103 kPa)	<b>194-3083</b>	<b>194-2083</b>
T-4756-206	Johnson Controls	Heat (DA) 20 psi (138 kPa) changeover / Cool (RA) 15 psi (103 kPa)	<b>194-3083</b>	<b>194-2083</b>
TP970A1002	Honeywell	Single Temperature, Direct Acting	<b>192-840</b>	<b>192-202</b>
TP970A1012	Honeywell	Single Temperature, Direct Acting	<b>192-840</b>	<b>192-202</b>
TP970A1035	Honeywell	Single Temperature, Direct Acting	<b>192-840</b>	<b>192-202</b>
TP970A1038	Honeywell	Single Temperature, Direct Acting	<b>192-840</b>	<b>192-202</b>
TP970A1053	Honeywell	Single Temperature, Direct Acting	<b>192-840</b>	<b>192-202</b>
TP970A1061	Honeywell	Single Temperature, Direct Acting	<b>192-840</b>	<b>192-202</b>
TP970A2004	Honeywell	Single Temperature, Direct Acting	<b>192-840</b>	<b>192-202</b>
TP970A1002	Honeywell	Single Temperature, Reverse Acting	<b>192-841</b>	<b>192-203</b>
TP970B1028	Honeywell	Single Temperature, Reverse Acting	<b>192-841</b>	<b>192-203</b>
TP970B1036	Honeywell	Single Temperature, Reverse Acting	<b>192-841</b>	<b>192-203</b>
TP970B1044	Honeywell	Single Temperature, Reverse Acting	<b>192-841</b>	<b>192-203</b>
TP971A1003	Honeywell	Day (DA) 13 psi (90 kPa) changeover / Night (DA) 18 psi (124 kPa)	<b>194-3042</b>	<b>194-2042</b>
TP971A1029	Honeywell	Day (DA) 13 psi (90 kPa) changeover / Night (DA) 18 psi (124 kPa)	<b>194-3042</b>	<b>194-2042</b>
TP971A1037	Honeywell	Day (DA) 13 psi (90 kPa) changeover / Night (DA) 18 psi (124 kPa)	<b>194-3042</b>	<b>194-2042</b>
TP971A1045	Honeywell	Day (DA) 13 psi (90 kPa) changeover / Night (DA) 18 psi (124 kPa)	<b>194-3042</b>	<b>194-2042</b>
TP971A1086	Honeywell	Day (DA) 13 psi (90 kPa) changeover / Night (DA) 18 psi (124 kPa)	<b>194-3042</b>	<b>194-2042</b>
TP971B1001	Honeywell	Day (RA) 13 psi (90 kPa) changeover / Night (RA) 18 psi (124 kPa)	<b>194-3052</b>	<b>194-2052</b>
TP971B1004	Honeywell	Day (RA) 13 psi (90 kPa) changeover / Night (RA) 18 psi (124 kPa)	<b>194-3052</b>	<b>194-2052</b>
TP972A1002	Honeywell	Heat (DA) 18 psi (124 kPa) changeover / Cool (RA) 13 psi (90 kPa)	<b>194-3082</b>	<b>194-2082</b>
TP972A1028	Honeywell	Heat (DA) 18 psi (124 kPa) changeover / Cool (RA) 13 psi (90 kPa)	<b>194-3082</b>	<b>194-2082</b>
TP972A1036	Honeywell	Heat (DA) 18 psi (124 kPa) changeover / Cool (RA) 13 psi (90 kPa)	<b>194-3082</b>	<b>194-2082</b>
TP972A1101	Honeywell	Heat (DA) 18 psi (124 kPa) changeover / Cool (RA) 13 psi (90 kPa)	<b>194-3082</b>	<b>194-2082</b>

**A-17**

**Thermostats**

### Ordering Notes

1. Suggested Retrofit Kit converts horizontal thermostat to vertical position.
2. Suggested Retrofit Kit has an additional manual changeover switch, not provided on the original.



# Retroline Powerstar Retrostat Pneumatic Room Thermostat Product Ordering

Manufacturer Part No.	Manufacturer	Control Action/Temperature Scale	Retroline Part No.	
			Kit	Replace. Chassis
TK-18	Barber-Colman	Single Temperature, Direct Acting	192-840	192-202
TK-19	Barber-Colman	Single Temperature, Reverse Acting	192-841	192-203
TK-19-1	Barber-Colman	Single Temperature, Reverse Acting	192-841	192-203
TK-19-19	Barber-Colman	Single Temperature, Reverse Acting	192-841	192-203
TK-1001	Barber-Colman	Single Temperature, Direct Acting	192-840	192-202
TK-1101	Barber-Colman	Single Temperature, Reverse Acting	192-841	192-203
TK-1001-116	Barber-Colman	Single Temperature, Direct Acting	192-850	192-222
TK-1002	Barber-Colman	Single Temperature, Direct Acting	192-840	192-202
TK-1002	Barber-Colman	Single Temperature, Reverse Acting	192-841	192-203
TK-5001-116	Barber-Colman	Single Temperature, Direct Acting	192-850	192-222
TKR-18	Barber-Colman	Single Temperature, Direct Acting	192-840	192-202
TKR-18-91	Barber-Colman	Single Temperature, Direct Acting	192-840	192-202
TKR-19	Barber-Colman	Single Temperature, Reverse Acting	192-841	192-203
TKR-1001	Barber-Colman	Single Temperature, Direct Acting	192-840	192-202
TKR-1101	Barber-Colman	Single Temperature, Reverse Acting	192-841	192-203
2212-118	Robertshaw	Single Temperature, Direct Acting	192-840	192-202
2212-119	Robertshaw	Single Temperature, Reverse Acting	192-841	192-203
2212-128	Robertshaw	Single Temperature, Direct Acting	192-840	192-202
2212-129	Robertshaw	Single Temperature, Reverse Acting	192-841	192-203
2212-418	Robertshaw	Single Temperature, Direct Acting	192-840	192-202
2212-419	Robertshaw	Single Temperature, Reverse Acting	192-841	192-203
2212-518	Robertshaw	Single Temperature, Direct Acting	192-840	192-202
2212-519	Robertshaw	Single Temperature, Reverse Acting	192-841	192-203
T15-101	Robertshaw	Single Temperature, Direct Acting	192-840	192-202
T18-101	Robertshaw	Single Temperature, Direct Acting	192-840	192-202
T18-201	Robertshaw	Single Temperature, Direct Acting	192-840	192-202
T18-301	Robertshaw	Single Temperature, Direct Acting	192-840	192-202
T18-3011	Robertshaw	Single Temperature, Direct Acting	192-840	192-202
192-202	Powers	Single Temperature, Direct Acting	192-840	192-202
192-203	Powers	Single Temperature, Reverse Acting	192-841	192-203
192-204	Powers	Day (DA) 18 psi (124 kPa)/Night (DA) 25 psi (172 kPa) changeover	192-3044	192-204
192-205	Powers	Day (RA) 18 psi (124 kPa)/Night (RA) 25 psi (172 kPa) changeover	192-3054	192-205
192-208	Powers	Heat (DA) 25 psi (172 kPa)/Cool (RA) 18 psi (124 kPa) changeover	192-3084	192-208
192-222	Powers	Single Temperature, Direct Acting	192-850	192-222
192-223	Powers	Single Temperature, Reverse Acting	192-851	192-223
192-224	Powers	Day (DA) 18 psi (124 kPa) changeover/Night (DA) 25 psi (172 kPa)	192-3144	192-224
192-225	Powers	Day (RA) 18 psi (124 kPa) changeover/Night (RA) 25 psi (172 kPa)	192-3154	192-225
192-228	Powers	Heat (DA) 25 psi (172 kPa) changeover/Cool (RA) 18 psi (124 kPa)	192-3184	192-228

A-18

Thermostats



Part No. in black box Ships same day when requested through Rapid Response™ shipping. See inside back cover for details.

SIEMENS

## Pneumatic Room Thermostats



832 D Pneumatic Room Thermostat and screws.

### Description

The single setpoint, direct acting thermostat provides gradual acting pneumatic room temperature control for heating and cooling applications. The 832 D Thermostat is ruggedly constructed for dependable, long-term service.

### Features

- All metal construction
- Rapid response to temperature change
- Unique design of supply and exhaust air valves prevents waste
- Quiet operation
- Easy-to-calibrate and service
- Tamper-proof cover screws
- Exposed remote changeover control
- Calibrated thermometer

### Applications

Designed for controlling rooms heated or cooled by radiation, ventilation, or an air conditioning system, the 832 D Pneumatic Room Thermostat is versatile and responsive for individual room control.

Other applications include room control of radiant panels, finned radiation, and unit ventilators.

### Application Drawing

Dotted lines are alternative control schemes.

