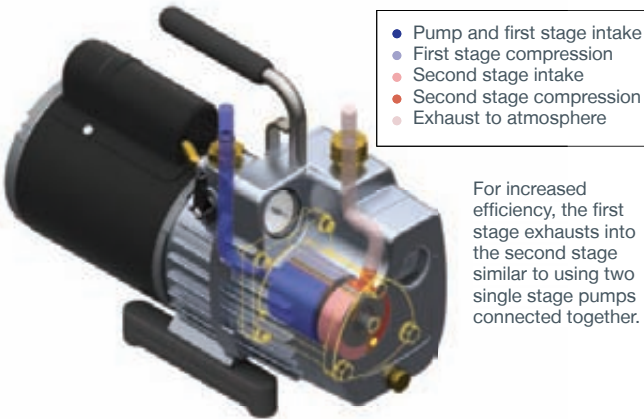


# 4, 6, 8, & 11 SUPEREVAC™ VACUUM PUMPS



- Pump and first stage intake
- First stage compression
- Second stage intake
- Second stage compression
- Exhaust to atmosphere

For increased efficiency, the first stage exhausts into the second stage similar to using two single stage pumps connected together.

The SUPEREVAC™ vacuum pump is a highly efficient, two-stage rotary vane oil-sealed pump field-rated at 15 microns or better.

- Isolation valve for oil changes without losing vacuum in the system
- Built-in vacuum indicator gauge
- Wide-mouth oil reservoir port for easier, cleaner filling. Doubles as pump exhaust— threaded to attach garden hose for exhausting to remote location
- Large oil sight glass for easy monitoring of oil level
- Large brass oil drain for easy access to fast oil changes
- Gas ballast valve keeps oil cleaner, longer during evacuation of wet systems
- Internal intake check valve to help prevent oil backup into the system during a power failure
- Intake filter screen keeps damaging particles from entering the pump
- Heavy duty rotors and bearings
- Heavy duty steel handle with lift hook for well-balanced carrying
- Tethered port caps stay with the pump
- Metal with rubber overlay base for stability
- Made in the USA

Domestic	Model 93540	Model 93560	Model 93580	Model 93590
Free air displacement	4.0 cfm	6.0 cfm	8.0 cfm	11.0 cfm
Number of stages	2-stage rotary vane	2-stage rotary vane	2-stage rotary vane	2-stage rotary vane
Field blankoff	15 microns	15 microns	15 microns	15 microns
Intake	1/4" and 3/8" Male flare	1/4" and 3/8" Male flare	1/4" and 1/2" Male flare	1/4" and 1/2" Male flare
Motor	1/2 hp - 1725 rpm	1/2 hp - 1725 rpm	1/2 hp - 1725 rpm	1/2 hp - 1725 rpm
Thermal overload protection	Yes	Yes	Yes	Yes
Voltage (single phase)	115V/60 Hz	115V/60 Hz	115V/60 Hz	115V/60 Hz
Power cord	6' - motor mounted switch	6' - motor mounted switch	6' - motor mounted switch	6' - motor mounted switch
Oil capacity	36 oz.	34 oz.	47 oz.	44 oz.
Dimensions	16" L x 6" W x 11.5" H (40.6 cm X 15.2 cm X 29.2 cm)	16" L x 6" W x 11.5" H (40.6 cm X 15.2 cm X 29.2 cm)	17.5" L x 6" W x 11.5" H (44.5 cm X 15.2 cm X 29.2 cm)	17.5" L x 6" W x 11.5" H (44.5 cm X 15.2 cm X 29.2 cm)
Net weight	30.3 lbs. (13.7 kg)	31.2 lbs. (14.2 kg)	32.5 lbs. (14.8 kg)	34.1 lbs. (15.4 kg)
Export	Model 9354x	Model 9356x	Model 9358x	Model 9359x
Free air displacement	113/95 L/M	170/142 L/M	225/190 L/M	310/260 L/M
Motor	1/2 hp - 1725/1425 rpm	1/2 hp - 1725/1425 rpm	1/2 hp - 1725/1425 rpm	1/2 hp - 1725/1425 rpm
Motor voltage (dual phase)	115/230V / 50-60 Hz	115/230V / 50-60 Hz	115/230V / 50-60 Hz	115/230V / 50-60 Hz
Dimensions	16.75" L x 6" W x 11.5" H (42.5 cm X 15.2 cm X 29.2 cm)	16.75" L x 6" W x 11.5" H (42.5 cm X 15.2 cm X 29.2 cm)	18.25" L x 6" W x 11.5" H (46.4 cm X 15.2 cm X 29.2 cm)	18.25" L x 6" W x 11.5" H (46.4 cm X 15.2 cm X 29.2 cm)
Net weight	33.2 lbs. (15.1 kg)	33.9 lbs. (15.4 kg)	35.5 lbs. (16.1 kg)	37.0 lbs. (16.8 kg)
<b>Model #</b>	<b>93542</b> (95 L/M at 50 Hz) (113 L/M at 60 Hz)	<b>93562</b> (142 L/M at 50 Hz) (170 L/M at 60 Hz)	<b>93582</b> (190 L/M at 50 Hz) (225 L/M at 60 Hz)	<b>93592</b> (260 L/M at 50 Hz) (310 L/M at 60 Hz)
US plug				
Factory voltage setting	230V	230V	230V	230V
<b>Model # Euro plug</b>	<b>93543</b> (95 L/M at 50 Hz)	<b>93563</b> (142 L/M at 50 Hz)	<b>93583</b> (260 L/M at 50 Hz)	<b>93593</b> (260 L/M at 50 Hz)
Factory voltage setting	230V	230V	230V	230V (EU/UK plug)
<b>Model # AU/NZ plug</b>	<b>93544</b> (95 L/M at 50 Hz) (113 L/M at 60 Hz)	<b>93564</b> (142 L/M at 50 Hz) (170 L/M at 60 Hz)	<b>93584</b> (190 L/M at 50 Hz) (225 L/M at 60 Hz)	<b>93595</b> (260 L/M at 50 Hz) (310 L/M at 60 Hz)
Factory voltage setting	230V	230V	230V	230V
<b>Model # UK Plug</b>	<b>93547</b> (95 L/M at 50 Hz)	<b>93567</b> (142 L/M at 50 Hz)	<b>93587</b> (190 L/M at 50 Hz)	<b>93593</b> (260 L/M at 50 Hz)
Factory voltage setting	230V	230V	230V	230V (EU/UK plug)

Will not work with NH.

RECOVERY MACHINES  
 VACUUM PUMP SYSTEMS  
 VACUUM AND CHARGING HOSES  
 HOSE ADAPTERS, VALVES AND PARTS  
 CHARGING SYSTEMS  
 GAUGES  
 ELECTRONIC INSTRUMENTS  
 HEATING INSTRUMENTS  
 LEAK MONITORS AND DETECTORS  
 SYSTEM TOOLS

# SUPEREVAC™ REPLACEMENT PARTS



SUPEREVAC™ replacement parts	
UPC#	2005-present 4, 6, 8, 11 cfm
<b>Pump oil cover</b>	
93370	Handle assembly
93390	Oil fill cap with seal
93391	Oil fill fitting
93365	Oil sight glass
93368	Drain/gas ballast plug

## SUPEREVAC™ replacement parts

UPC# 2005-present 4, 6, 8, 11 cfm

### Vacuum cartridge

93541	4 cfm cartridge complete
93561	6 cfm cartridge complete
93581	8 cfm cartridge complete
93591	11 cfm cartridge complete

### Mounting body

93031	Shaft seal
93011	0-30" Vacuum indicator
93012	Vacuum gauge lens
93368	Drain/gas ballast plug
93398	"O" ring for gas ballast/drain plug
93392	1/4" Male flare x 1/8" NPT fitting
93377	4 and 6 cfm intake fitting (3/8" Male flare x 3/4" NPT)
93393	8 and 11 cfm intake fitting (1/2" Male flare x 3/4" NPT)
93394	1/4" Flare cap
93399	4 and 6 cfm 3/8" flare cap
93395	8 and 11 cfm 1/2" flare cap
93366	Blank-off handle
93367	Complete parts for blank-off handle
93401	Blank-off rebuild kit
93508	Intake port gasket

### Motor

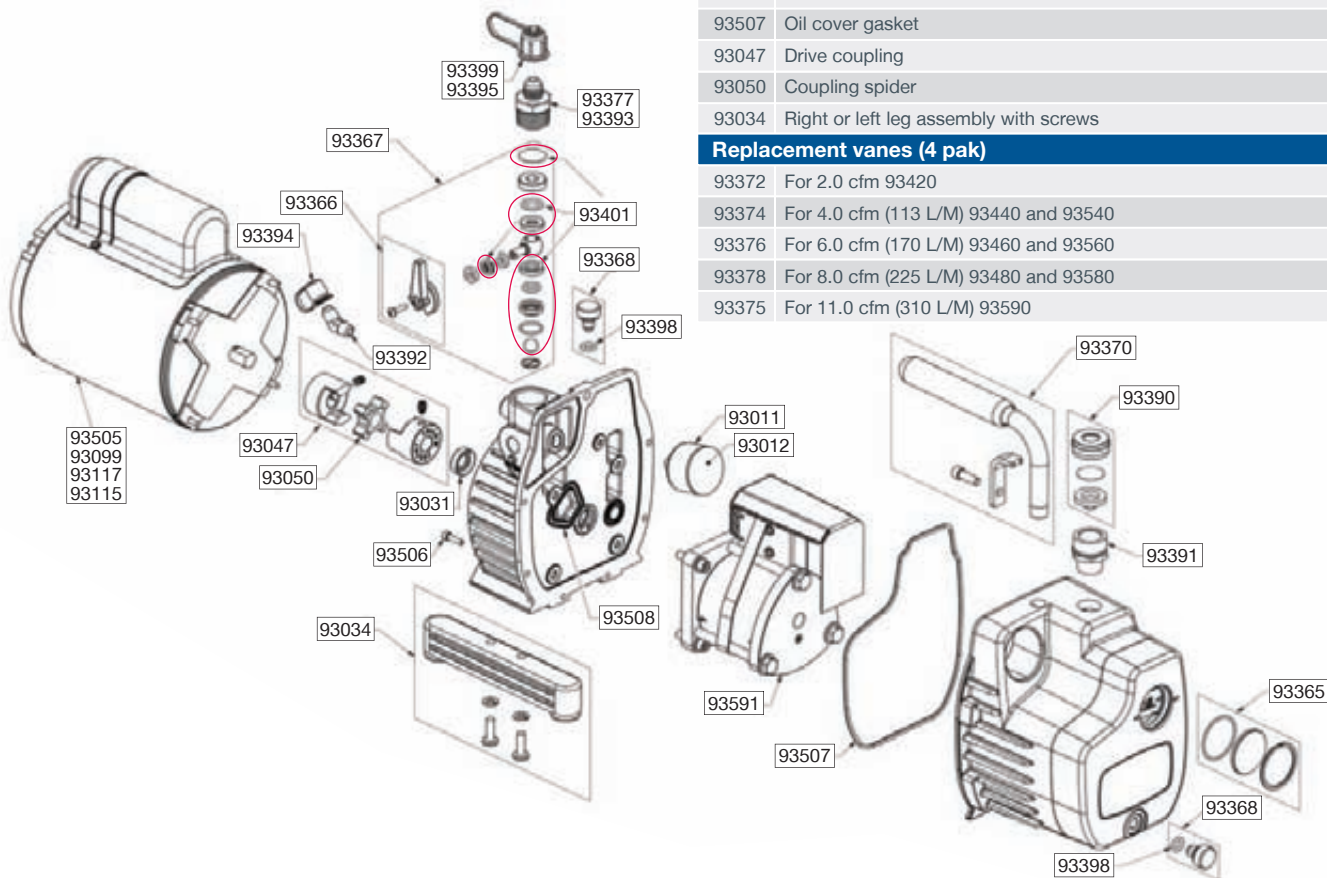
93513	1/2 hp motor 115-230V / 50-60 Hz
93505	1/2 hp - 115V/60 Hz* (includes parts listed below)
93099	8/32 x 7-1/4" Motor bolts (4)
93117	Rocker style switch
93115	6' Long cord

### Final assembly parts

93506	8/32 x 5/8" Socket head screws
93507	Oil cover gasket
93047	Drive coupling
93050	Coupling spider
93034	Right or left leg assembly with screws

### Replacement vanes (4 pak)

93372	For 2.0 cfm 93420
93374	For 4.0 cfm (113 L/M) 93440 and 93540
93376	For 6.0 cfm (170 L/M) 93460 and 93560
93378	For 8.0 cfm (225 L/M) 93480 and 93580
93375	For 11.0 cfm (310 L/M) 93590



RECOVERY MACHINES  
 VACUUM PUMP SYSTEMS  
 HOSE ADAPTERS, VALVES AND PARTS  
 VACUUM AND CHARGING HOSES  
 CHARGING SYSTEMS  
 GAUGES  
 ELECTRONIC INSTRUMENTS  
 HEATING INSTRUMENTS  
 LEAK MONITORS AND DETECTORS  
 SYSTEM TOOLS