



www.Source1Parts.com

**LX SERIES 16 SEER
SINGLE SPLIT DUCTLESS, COOLING SYSTEMS
(CONTAINS INDOOR AND OUTDOOR MODELS)**

HVAC SERVICE PARTS

Supersedes: 035-23392-001 Rev. C (0713)

035-23392-001 Rev. D (1213)

1 of 12

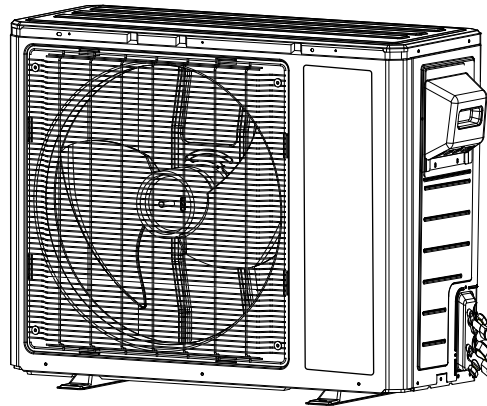
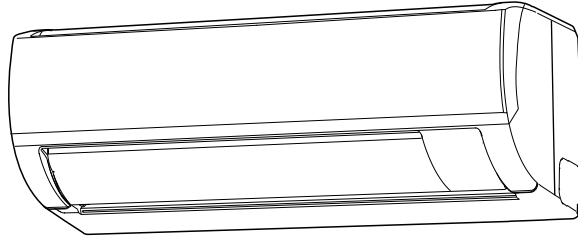


Figure 1: SINGLE SPLIT DUCTLESS SYSTEM

System	Outdoor Model Number	Indoor Model Number
3/4 Ton	DCMF09CSM42Q1A	DCMF09NWM42Q1A
1 Ton	DCMF12CSM42Q1A	DCMF12NWM42Q1A
1 1/2 Ton	DCMF18CSM42Q1A	DCMF18NWM42Q1A
2 Ton	DCMF24CSM42Q1A	DCMF24NWM42Q1A

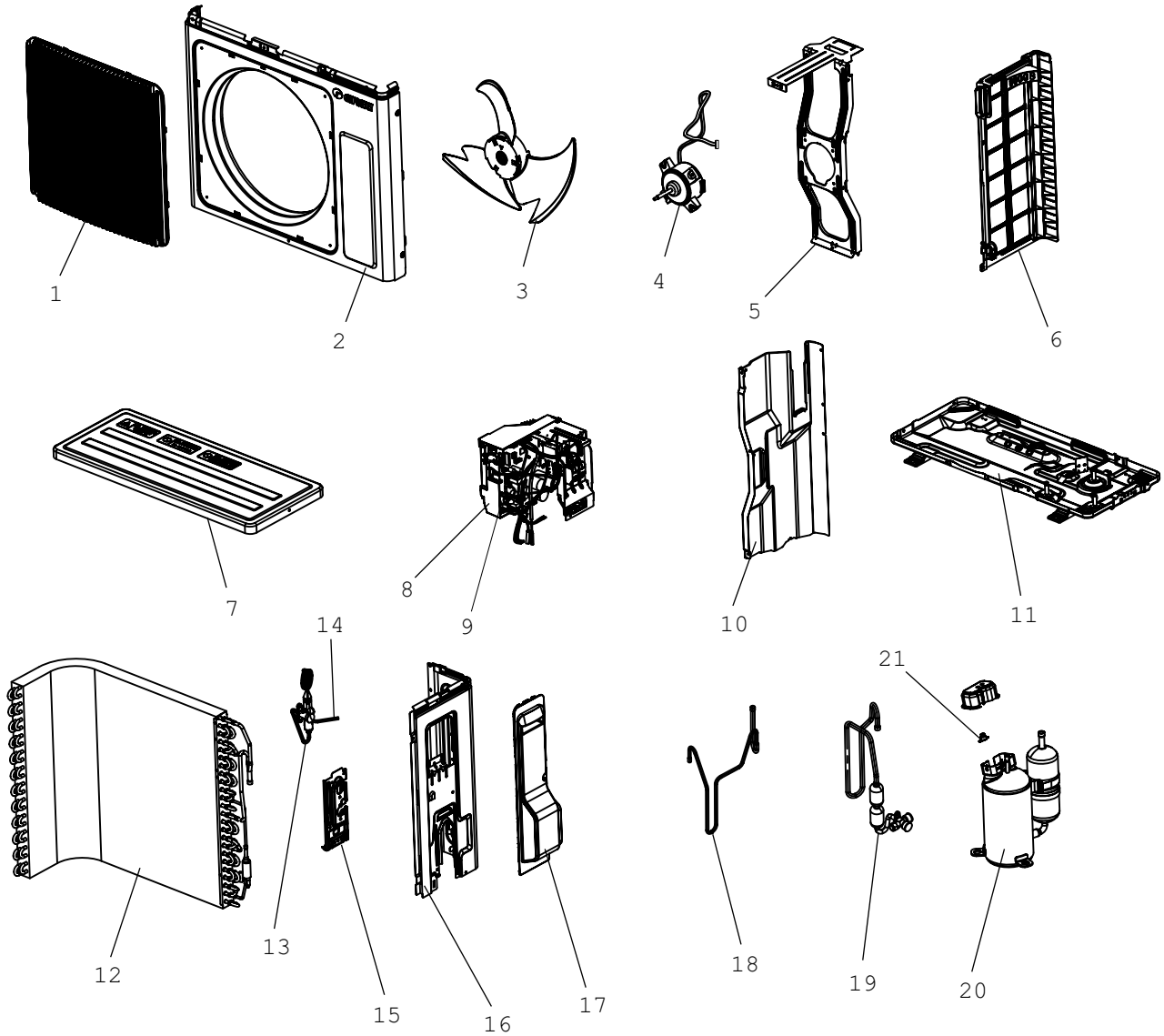


Figure 2: AC OUTDOOR UNIT

FIG	ITEM	DESCRIPTION	DCMF09CSM42Q1A	DCMF12CSM42Q1A	
2	1	Grill, Front	#01473051	#01473051	<
2	2	Cabinet	#0143304401P	#01433061	<
2	3	Blade, Fan	S1-DL1033300901	S1-DL1033300901	
2	4	Motor, Fan	S1-DL1501307301	S1-DL1501307301	
2	5	Support, Motor	#0170312201	#01703122	<
2	6	Plate, Left Side	#20053001	#20053001	<
2	7	Cover, Top	#01253071	#012530400	<
2	8	Box Assy, Electric	#02613060	#02613062	<
2	9	Board, Main	S1-DL30148392	S1-DL30148390	<
2	10	Clapboard	#01233088	#01233088	<
2	11	Sub-Assy, Chassis	#0280309801P	#0280309801P	<
2	12	Coil, Condenser	#01113463	#01113501	<
2	13	Valve, Cut Off	#07133692	#07133693	<
2	14	Sub-Assy, Capillary	S1-DL03063983	S1-DL03063990	<

Table continued on next page

FIG	ITEM	DESCRIPTION	DCMF09CSM42Q1A	DCMF12CSM42Q1A
2	15	Support, Valve	#01713089	#01713089
2	16	Plate, Right Side	#0130318001	#0130318001
2	17	Assy, Handle	#26233044	#26233044
2	18	Tube, Discharge	#0813671	#03813670
2	19	Sub-Assy, Cut-Off Valve	#07133695	#07133695
2	20	Compressor with Fittings	S1-DL00103869G	S1-DL00103869G
2	21	Overload Protector, Compressor	S1-DL00180030	S1-DL00180030
*	22	Grommet, Compressor (3 ea.)	S1-DL76710287	S1-DL76710287
*	23	Sensor, Temperature	S1-DL3900030805	S1-DL3900030805

NOTE: *Not Shown
 New replacement parts shown in **bold** face type at the first printing of parts list dated 12/13.
 Major components and suggested stocking items are shown with shaded item number.
 “<” Across from row indicates a change in that row.
 --- Not applicable to specified model.
 “#” Part numbers without the S1- Prefix are special order items requiring longer lead times.

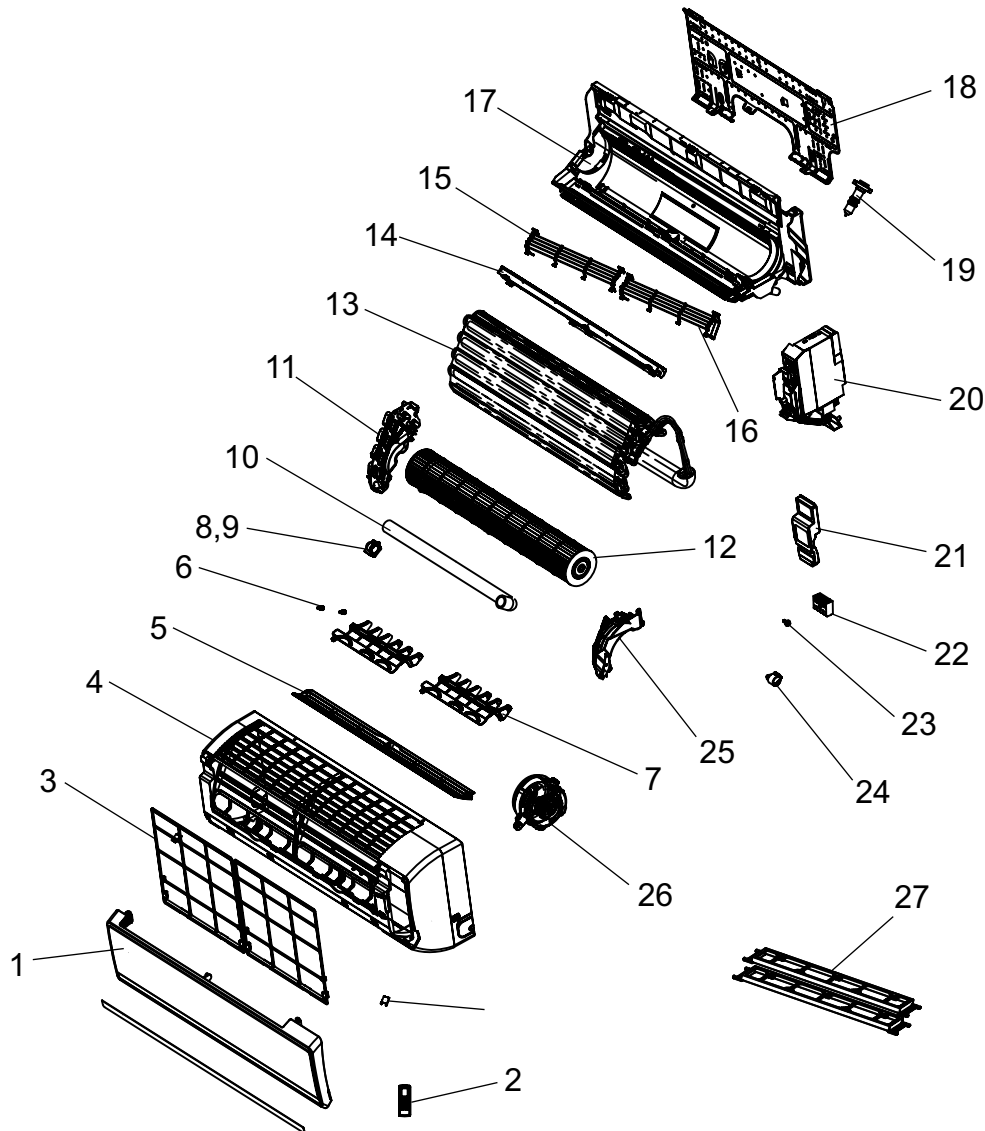


Figure 3: INDOOR UNITL

FIG	ITEM	DESCRIPTION	DCMF09NWM42Q1A	DCMF12NWM42Q1A
3	1	Panel, Front	#20012443S	#20012443S
3	2	Control, Remote	S1-DL30510050	S1-DL30510050
3	3	Sub-Assy, Filter	S1-DL112208201	S1-DL112208201
3	4	Case Assy, Front	#2001237501	#2001232401
3	5	Guide, Louver	#105512119	#105512119

Table continued on next page

FIG	ITEM	DESCRIPTION	DCMF09NWM42Q1A	DCMF12NWM42Q1A	
3	6	Shaft, Guide Louver	#1054202001	#1054202001	<
3	7	Louver, Air	#10542024	#10512160	<
3	8	Sub-Assy, Axile Bush	#76512011	#10542024	<
3	9	Sub-Assy, Damping Washer	#76512011	#76512011	<
3	10	Sub-Assy, Drainage Pipe	#0523204101	#0523204101	<
3	11	Support, Evaporator	#24212108	#24212108	<
3	12	Fan, Cross Flow	S1-DL10352423	S1-DL10352423	<
3	13	Assy, Evaporator	#01002270	#01002745	<
3	14	Tongue, Helicoid	#26112486	#26112486	<
3	15	Assy, Rear Grill	#24212911	#24212911	<
3	16	Assy, Rear Grill	#11002001	#11002001	<
3	17	Assy, Rear Case	#2220211902	#2220211902	<
3	18	Frame, Wall Mounting	#0125201801	#0125201801A	<
3	19	Plug, Pipe (Outlet)	#76712020	#76712020	<
3	20	Assy, Electric Box	#20302634	#20302588	<
3	21	Cover, Electric Box	#2012210601	#2012210601	<
3	22	Board, Terminal	S1-DL42011233	S1-DL42011233	<
3	23	Crank	#73012005	#73012005	<
3	24	Motor, Stepper	S1-DL1521210701	S1-DL1521210701	<
3	25	Press Plate, Motor	#26112191	#26112191	<
3	26	Motor, Fan	S1-DL1501209301	S1-DL1501209301	<
3	27	Support, Catechin	#24212910	#24212910	<
*	28	Light Cover, Indicator	#22242084	#22242084	<
*	29	Cover, Screw	#24252019	#24252019	<
*	30	Board, Main	S1-DL301484401	S1-DL301484421	<
*	31	Capacitor	S1-DL3301000213	S1-DL3301000213	<
*	32	Temperature Sensor, Ambient	S1-DL390000453	S1-DL390000453	<
*	33	Cover, Indicator Shield	#22242083	#22242083	<
*	34	Sensor, Temperature	S1-DL39000305	S1-DL39000305	<

NOTE: *Not Shown
 New replacement parts shown in **bold** face type at the first printing of parts list dated 12/13.
 Major components and suggested stocking items are shown with shaded item number.
 “<” Across from row indicates a change in that row.
 --- Not applicable to specified model.
 “#” Part numbers without the S1- Prefix are special order items requiring longer lead times.



<

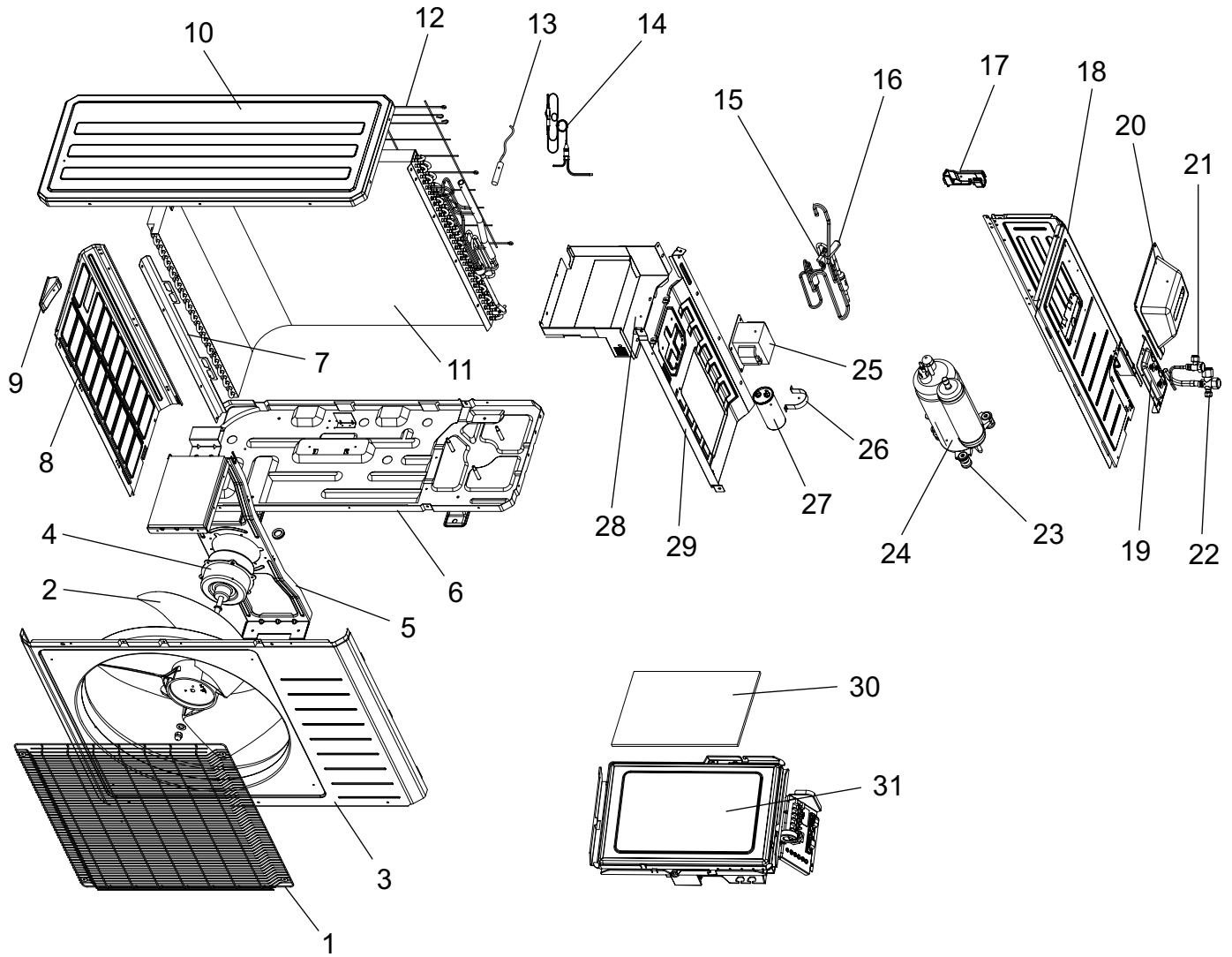


Figure 4: AC OUTDOOR UNIT

FIG	ITEM	DESCRIPTION	DCMF18CSM42Q1A
4	1	Grill, Front	#01473049
4	2	Blade, Fan	S1-DL10335008
4	3	Cabinet	#01433047P
4	4	Motor, Fan	S1-DL1501506302
4	5	Support, Motor	#01705020
4	6	Sub-Assy, Chassis	#02803062P
4	7	Board, Support (Condenser)	#01795010
4	8	Plate, Left Side	#01305041P
4	9	Handle, Left	#26235401
4	10	Cover, Top	#01255005P
4	11	Assy, Condenser	#01163466
4	12	Grill, Rear	#01473043
4	13	Sensor, Temperature	S1-DL3900030901
4	14	Bushing, Tube Sensor	#05212423
4	15	Sub-Assy, Capillary	S1-DL03063946
4	16	Clamp, Sensor (Discharge Temp. Sensor)	#02143024
4	17	Tube, Inhalation	#03723930
4	18	Tube, Discharge	#03813653
4	19	Clamp, Wiring	#26115004
4	20	Plate, Right Side	#0130509403P
4	21	Assy, Valve Support	#01715010P

Table continued on next page

FIG	ITEM	DESCRIPTION	DCMF18CSM42Q1A	
4	22	Assy, Handle	#02113109	<
4	23	Sub-Assy, Cut Off Valve	#07133464	<
4	24	Sub-Assy, Cut Off Valve	#07133210	<
4	25	Grommet, Rubber	S1-DL76715021	
4	26	Compressor and Fittings	S1-DL00205262	
4	27	Reactor, Line	#43130021	<
4	28	Clamp Sub-Assy, Capacitor	#01413098	<
4	29	Capacitor	S1-DL33000065	
4	30	Box, Electric	#01413148	<
4	31	Sub-Assy, Clapboard	#01232902	<
4	32	Plate, Insulating (Electric Box Cover)	#20113003	<
4	33	Box Assy, Electric	#02613037	<
*	34	Overload Protector, Compressor	S1-DL00183043	
*	35	Board, Main	S1-DL301483651	
*	36	Sensor, Temperature	S1-DL39000072	
*	37	Board, Terminal	S1-DL42010255	

NOTE: *Not Shown
 New replacement parts shown in **bold** face type at the first printing of parts list dated 12/13.
 Major components and suggested stocking items are shown with shaded item number.
 “<” Across from row indicates a change in that row.
 --- Not applicable to specified model.
 “#” Part numbers without the S1- Prefix are special order items requiring longer lead times.



<

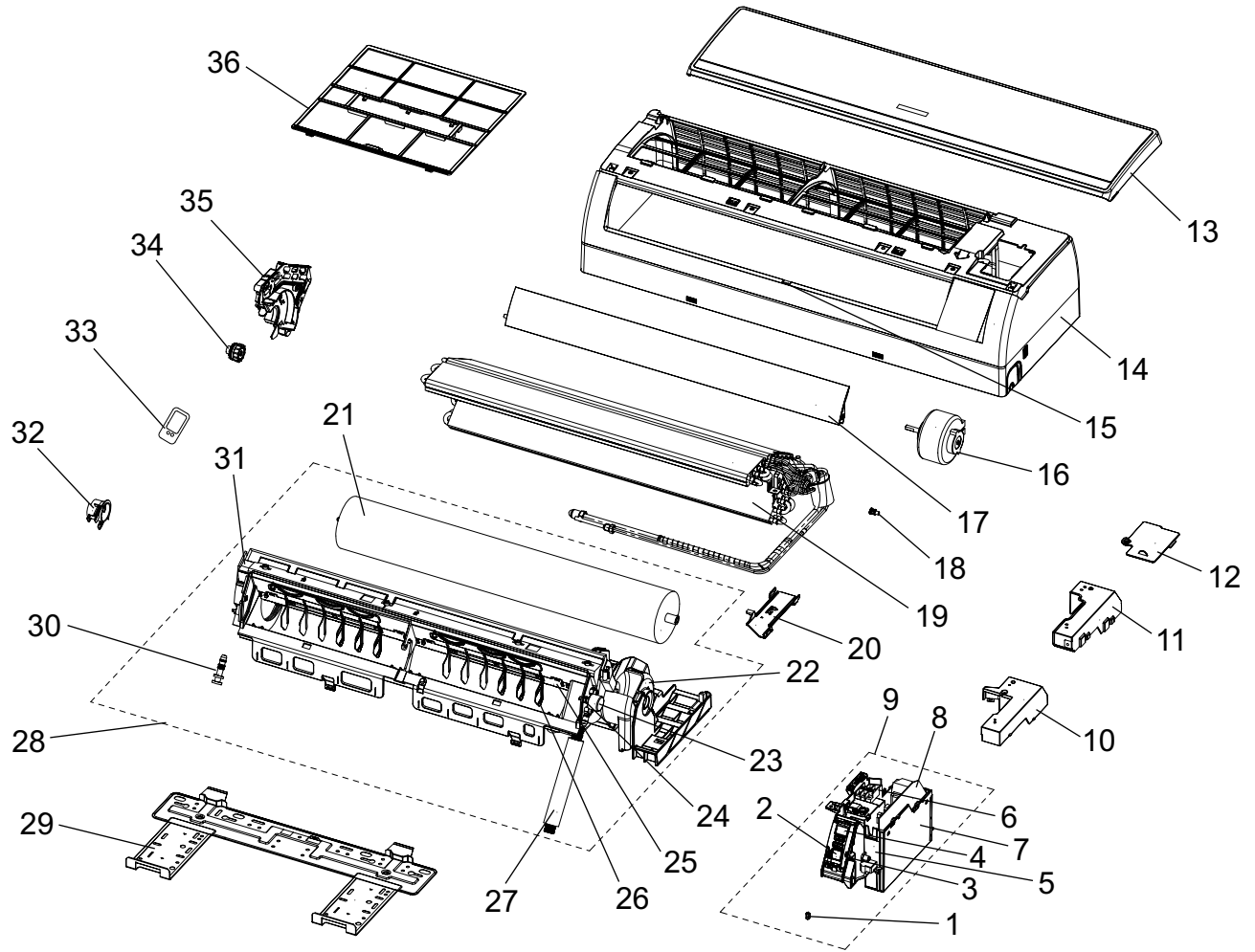


Figure 5: INDOOR UNIT

FIG	ITEM	DESCRIPTION	DCMF18NWM42Q1A
5	1	Jumper	#4202300118 <
5	2	Cover, Indicator Sheild	#22242083 <
5	3	Cover, Indicator Light	#22242084 <
5	4	Board, Display	S1-DL30568112 <
5	5	Box, Electric	#2011210301 <
5	6	Board, Terminal	S1-DL42011233 <
5	7	Cover, Sheild (Electric Box)	#01592087 <
5	8	Board, Main	S1-DL30138510 <
5	9	Assy, Electric Box	#20202387 <
5	10	Cover, Electric Box	#2012212301 <
5	11	Cover, Sheild (Electric Box Cover)	#01592088 <
5	12	Cover, Electric Box	#2012214202 <
5	13	Panel, Front	#20012495S <
5	14	Assy, Front Case	#20012497 <
5	15	Cover, Screw	#242520041 <
5	16	Motor, Fan	S1-DL1501211601 <
5	17	Louver, Guide	#10512140 <
5	18	Bush, Axile	#10542036 <
5	19	Assy, Evaporator	#01002325 <
5	20	Clamp, Pipe	#26112164 <
5	21	Fan, Cross Flow	S1-DL10352036 <
5	22	Plate, Motor Press	#26112231 <
5	23	Motor, Stepper	S1-DL15012086 <
5	24	Crank	#10582070 <

Table continued on next page

FIG	ITEM	DESCRIPTION	DCMF18NWM42Q1A
5	25	Tongue, Helicoid	#26112232
5	26	Louver, Air	#10512160
5	27	Hose, Drainage	#0523001407
5	28	Assy, Rear Case	#22202154
5	29	Frame, Wall Mounting	#01252484
*	30	Glue Plug, Water Tray	#76712012
*	31	Bush, Left Axile	#10512037
*	32	Ring, Bearing	#26152022
*	33	Controller, Remote	S1-DL30510050
*	34	O-Ring, Bearing Assy	#76512051
*	35	Support, Evaporator	#24212119
*	36	Assy, Filter	S1-DL11122104
*	37	Sensor, Ambient Temperature	S1-DL390000453
*	38	Sensor, Temperature	S1-DL390000632

NOTE: *Not Shown

New replacement parts shown in **bold** face type at the first printing of parts list dated 12/13.

Major components and suggested stocking items are shown with shaded item number.

"<" Across from row indicates a change in that row.

--- Not applicable to specified model.

"#" Part numbers without the S1- Prefix are special order items requiring longer lead times.



<

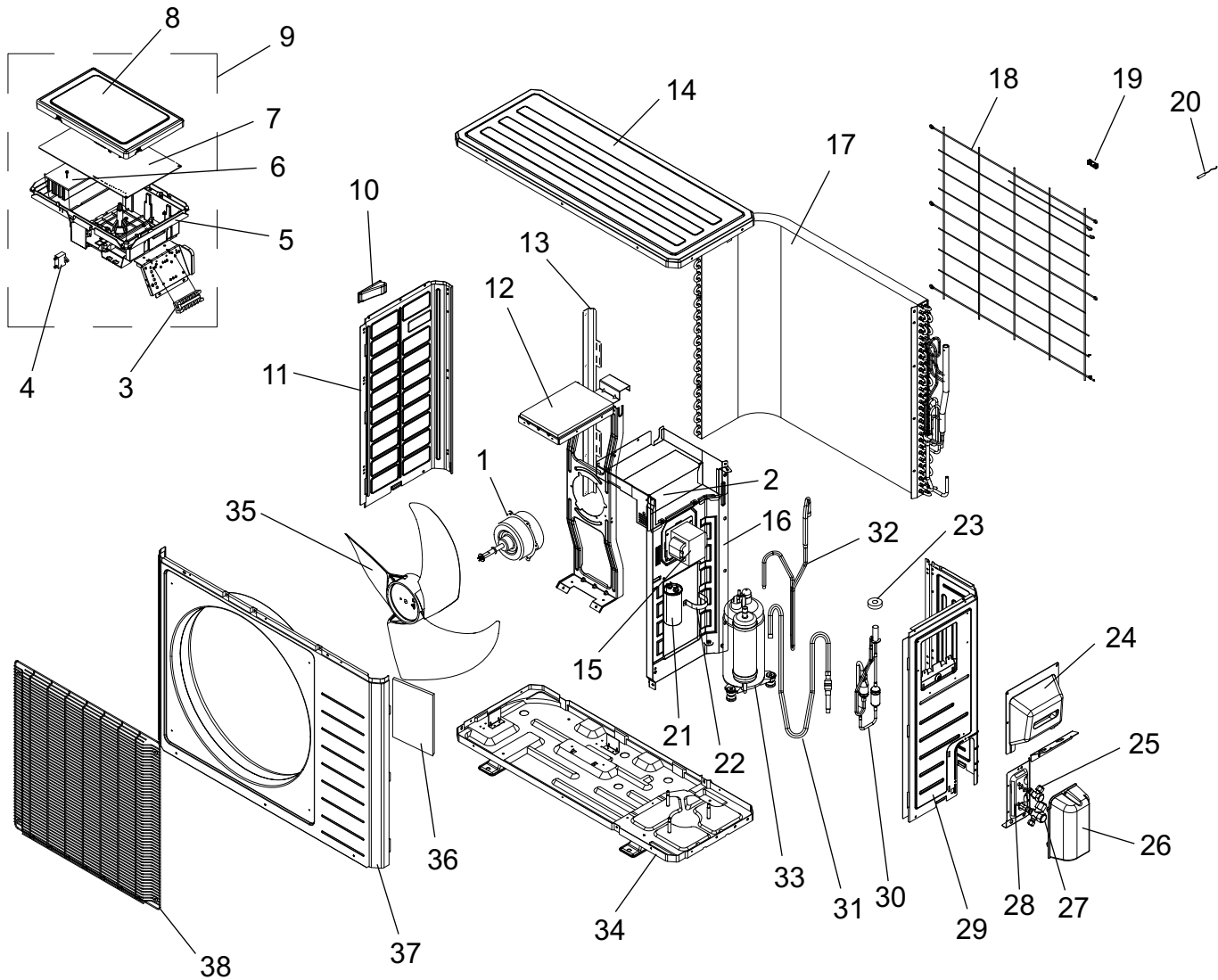


Figure 6: AC OUTDOOR UNIT

FIG	ITEM	DESCRIPTION	DCMF24CSM42Q1A
6	1	Motor, Fan	S1-DL1501506302
6	2	Box, Electric (Fireproofing)	#01413148
6	3	Board, Terminal	S1-DL42010255
6	4	Capacitor	S1-DL33010010
6	5	Box, Electric	#20113015
6	6	Radiator	#49013034
6	7	Board, Main	S1-DL301483653
6	8	Cover, Electric Box	#01413150
6	9	Assy, Electric Box	#02613274
6	10	Handle, Left	#26235401
6	11	Plate, Left Side	#01305093P
6	12	Support, Motor	#01705020
6	13	Board, Supporting (Condenser)	#01795010
6	14	Cover, Top	#01255005P
6	15	Reactor, Line	#43130021
6	16	Sub-Assy, Clapboard	#01232902
6	17	Assy, Condenser	#0111338604
6	18	Grill, Rear	#01473043
6	19	Clamp, Wiring	#26115004
6	20	Sensor, Temperature	S1-DL3900030901
6	21	Capacitor	S1-DL33000065
6	22	Clamp, Capacitor	#01413098
6	23	Valve Fitting, Electric Expand	#4300876704
6	24	Assy, Handle	#02113109
6	25	Sub-Assy, Cut-off Valve	#07133184
6	26	Cover, Valve	#22245002
6	27	Sub-Assy, Cut-off Valve	#07133060
6	28	Assy, Valve Support	#01715010P
6	29	Plate, Right Side	#0130509403P
6	30	Expansion Valve, Electric	S1-DL07133183
6	31	Tube Assy, Inhalation	#03733084
6	32	Tube Assy, Discharge	#03733083
6	33	Compressor and Fittings	S1-DL00103501
6	34	Sub-Assy, Chassis	#0280305701P
6	35	Blade, Fan	S1-DL10335008
6	36	Plate, Insulating (Electric Box Cover)	#20113003
6	37	Cabinet	#01433047P
6	38	Grill, front	#01473049
*	39	Valve, Cut-off	#07130239
*	40	Valve, 1/2"	#071302392
*	41	Sensor, Temperature	S1-DL39000072
*	42	Expansion Valve, Electric	S1-DL07130369
*	43	Gasket, Compressor	#76710236
*	44	Overload Protection, Compressor	#01180002

NOTE: *Not Shown
 New replacement parts shown in **bold** face type at the first printing of parts list dated 12/13.
 Major components and suggested stocking items are shown with shaded item number.
 “<” Across from row indicates a change in that row.
 --- Not applicable to specified model.
 “#” Part numbers without the S1- Prefix are special order items requiring longer lead times.



<

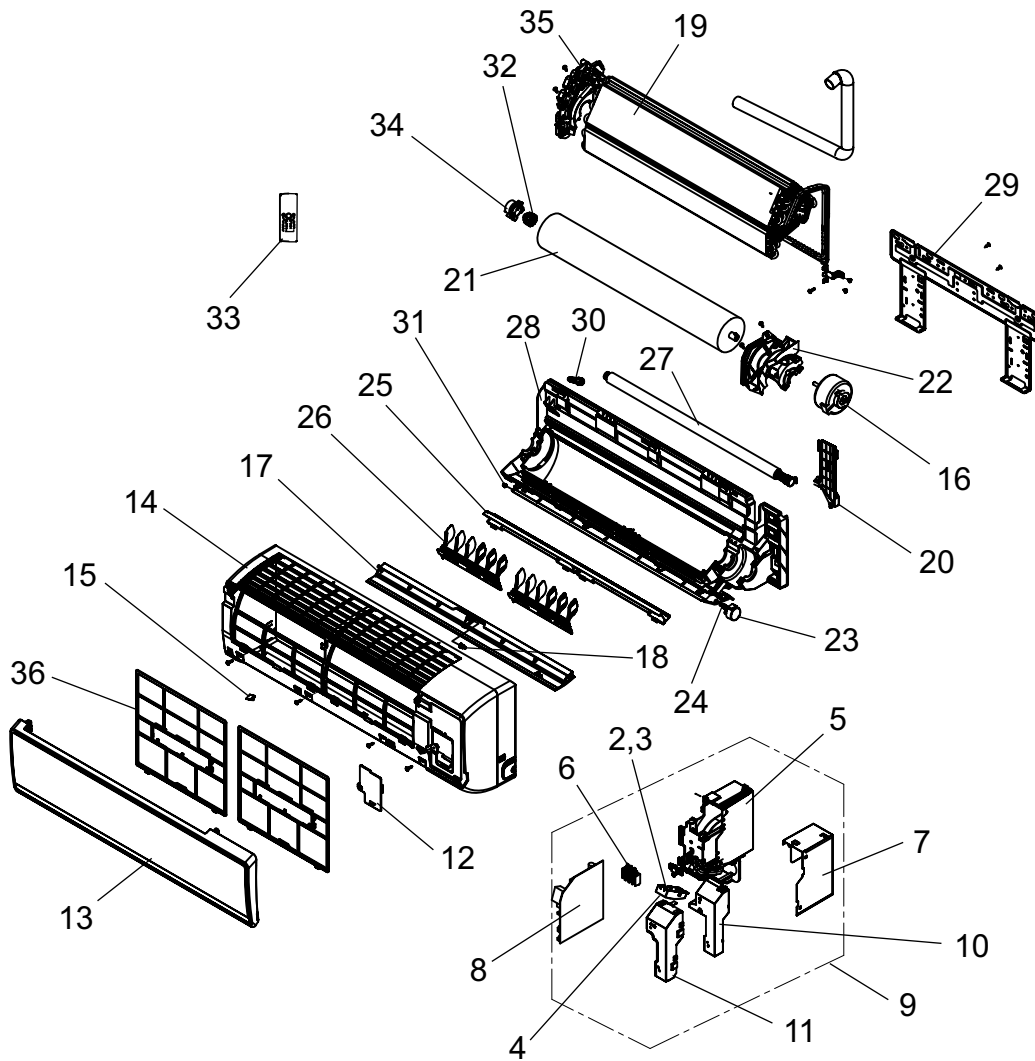


Figure 7: INDOOR UNIT

FIG	ITEM	DESCRIPTION	DCMF24NWM42Q1A
*	1	Jumper	#4202300121
7	2	Cover, Indicator Sheild	#22242083
7	3	Cover, Indicator Light	#22242084
7	4	Board, Display	S1-DL30568112
7	5	Box, Electric	#2011210301
7	6	Board, Terminal	S1-DL42011233
7	7	Cover, Sheild (Electric Box)	#01592087
7	8	Board, Main	S1-DL30138518
7	9	Assy, Electric Box	#2020230203
7	10	Cover, Electric Box	#2012212301
7	11	Cover, Sheild (Electric Box Cover)	#01592088
7	12	Cover, Electric Box	#2011208103
7	13	Panel, Front	#20112502S
7	14	Assy, Front Case	#2001251401
7	15	Cover, Screw	#24252016
7	16	Motor, Fan	S1-DL1501209801
7	17	Louver, Guide	#10512138
7	18	Bush, Axile	#10542036
7	19	Assy, Evaporator	#01002269
7	20	Clamp, Pipe	#26112188

Table continues on next page.

FIG	ITEM	DESCRIPTION	DCMF24NWM42Q1A
7	21	Fan, Cross Flow	S1-DL10352030
7	22	Plate, Motor Press	#26112316
7	23	Motor, Stepper	S1-DL1521300101
7	24	Crank	#10582070
7	25	Tongue, Helicoid	#10582070
7	26	Louver, Air	#26112229
7	27	Hose, Drainage	#10512139
7	28	Assy, Rear Case	#0523001405
7	29	Frame, Wall Mounting	#2220215701
7	30	Glue Plug, Water Tray	#01252032
7	31	Bush, Left Axile	#76712012
7	32	Ring, Bearing	#10512037
7	33	Controller, Remote	S1-DL30510050
7	34	O-Ring, Bearing Assy	#76512051
7	35	Support, Evaporator	#24212103
7	36	Assy, Filter	S1-DL11122091
*	37	Sensor, Ambient Temperature	S1-DL390000591
*	38	Sensor, Temperature	S1-DL390000453

NOTE: *Not Shown
 New replacement parts shown in **bold** face type at the first printing of parts list dated 12/13.
 Major components and suggested stocking items are shown with shaded item number.
 "<" Across from row indicates a change in that row.
 --- Not applicable to specified model.
 "#" Part numbers without the S1- Prefix are special order items requiring longer lead times.



<

ACCESSORIES	
Holder, Remote Control	S1-DL26150003
Filter, Catechin	S1-DL11200511
Drain Line, 5/8"	S1-230-DL16

LINE SETS			
S1-52642437015	Lineset, Minisplit, 1/4LX3/8SX15', 3/8Ins	S1-52642440035	Lineset, Minisplit, 1/4LX3/4SX35', 3/8Ins
S1-52642437020	Lineset, Minisplit, 1/4LX3/8SX20', 3/8Ins	S1-52642440050	Lineset, Minisplit, 1/4LX3/4SX50', 3/8Ins
S1-52642437025	Lineset, Minisplit, 1/4LX3/8SX25', 3/8Ins	S1-52642441015	Lineset, Minisplit, 3/8LX5/8SX15', 3/8Ins
S1-52642437030	Lineset, Minisplit, 1/4LX3/8SX30', 3/8Ins	S1-52642441020	Lineset, Minisplit, 3/8LX5/8SX20', 3/8Ins
S1-52642437035	Lineset, Minisplit, 1/4LX3/8SX35', 3/8Ins	S1-52642441025	Lineset, Minisplit, 3/8LX5/8SX25', 3/8Ins
S1-52642437050	Lineset, Minisplit, 1/4LX3/8SX50', 3/8Ins	S1-52642441030	Lineset, Minisplit, 3/8LX5/8SX30', 3/8Ins
S1-52642438015	Lineset, Minisplit, 1/4LX1/2SX15', 3/8Ins	S1-52642441035	Lineset, Minisplit, 3/8LX5/8SX35', 3/8Ins
S1-52642438020	Lineset, Minisplit, 1/4LX1/2SX20', 3/8Ins	S1-52642441050	Lineset, Minisplit, 3/8LX5/8SX50', 3/8Ins
S1-52642438025	Lineset, Minisplit, 1/4LX1/2SX25', 3/8Ins	S1-52642442015	Lineset, Minisplit, 3/8LX3/4SX15', 3/8Ins
S1-52642438030	Lineset, Minisplit, 1/4LX1/2SX30', 3/8Ins	S1-52642442020	Lineset, Minisplit, 3/8LX3/4SX20', 3/8Ins
S1-52642438035	Lineset, Minisplit, 1/4LX1/2SX35', 3/8Ins	S1-52642442025	Lineset, Minisplit, 3/8LX3/4SX25', 3/8Ins
S1-52642438050	Lineset, Minisplit, 1/4LX1/2SX50', 3/8Ins	S1-52642442030	Lineset, Minisplit, 3/8LX3/4SX30', 3/8Ins
S1-52642439015	Lineset, Minisplit, 1/4LX5/8SX15', 3/8Ins	S1-52642442035	Lineset, Minisplit, 3/8LX3/4SX35', 3/8Ins
S1-52642439020	Lineset, Minisplit, 1/4LX5/8SX20', 3/8Ins	S1-52642442050	Lineset, Minisplit, 3/8LX3/4SX50', 3/8Ins
S1-52642439025	Lineset, Minisplit, 1/4LX5/8SX25', 3/8Ins	S1-52642443015	Lineset, Minisplit, 3/8LX7/8SX15', 3/8Ins
S1-52642439030	Lineset, Minisplit, 1/4LX5/8SX30', 3/8Ins	S1-52642443025	Lineset, Minisplit, 3/8LX7/8SX25', 3/8Ins
S1-52642439035	Lineset, Minisplit, 1/4LX5/8SX35', 3/8Ins	S1-52642424030	Lineset, Minisplit, 1/4LX3/8SX30', 1/2, Pln
S1-52642439050	Lineset, Minisplit, 1/4LX5/8SX50', 3/8Ins	S1-52642424050	Lineset, Minisplit, 1/4LX3/8SX50', 1/2, Pln
S1-52642440015	Lineset, Minisplit, 1/4LX3/4SX15', 3/8Ins	S1-52642425030	Lineset, Minisplit, 1/4LX1/2SX30', 1/2, Pln
S1-52642440020	Lineset, Minisplit, 1/4LX3/4SX20', 3/8Ins	S1-52642425050	Lineset, Minisplit, 1/4LX1/2SX50', 1/2, Pln
S1-52642440025	Lineset, Minisplit, 1/4LX3/4SX25', 3/8Ins	S1-52642426030	Lineset, Minisplit, 1/4LX5/8SX30', 1/2, Pln
S1-52642440030	Lineset, Minisplit, 1/4LX3/4SX30', 3/8Ins	S1-52642426050	Lineset, Minisplit, 1/4LX5/8SX50', 1/2, Pln

TO ORDER AUTHORIZED FACTORY REPLACEMENT PARTS - Contact your Source1 HVAC Parts Distributor or visit our website at www.Source1Parts.com for a Distributor and Dealer listing.

Subject to change without notice. Published in U.S.A.
Copyright © 2013 by Johnson Controls, Inc. All rights reserved.

035-23392-001 Rev. D (1213)
Supersedes: 035-23392-001 Rev. C (0713)

York International Corp.
5005 York Drive
Norman, OK 73069