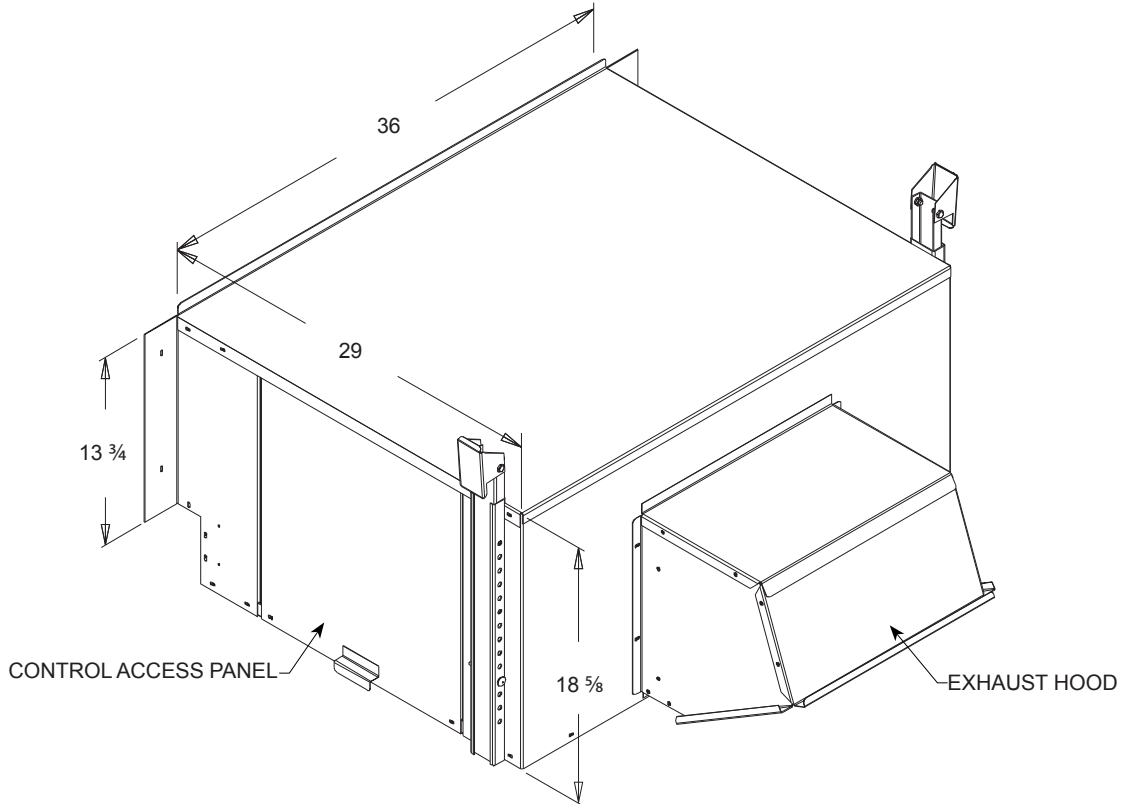


### DOWNFLOW APPLICATION SINGLE SPEED CENTRIFUGAL BLOWER EXHAUST

**Notes:**

1. Shipped completely assembled and factory tested.
2. All wiring from control box to unit is field supplied.
3. Color coordinated with the unit.



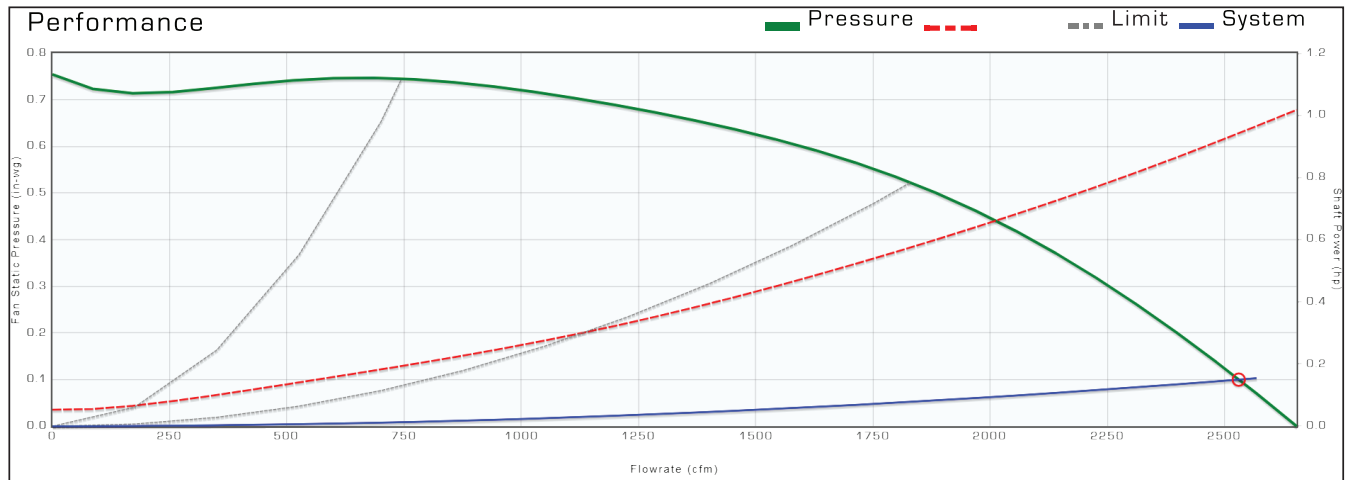
| RRS MODEL# | UNIT | VOLT          | PHASE | MOTOR |     |      |          | UNIT  |      |      |           |       |      |          |
|------------|------|---------------|-------|-------|-----|------|----------|-------|------|------|-----------|-------|------|----------|
|            |      |               |       | QTY   | HP  | RPM  | CIR. QTY | LRA   | FLA  | MCA  | FUSE SIZE | @ 0.1 |      |          |
|            |      |               |       |       |     |      |          |       |      |      |           | CFM   | RPM  |          |
| 10-455-09A | 036  | -2 (208-230)+ | 3     | 1     | 1/2 | 1725 | 1        | 11.80 | 3.00 | 3.75 | 6         | 1200  | 559  | 9 x 10AT |
|            |      | -3 (460)+     |       |       |     |      |          | 5.90  | 1.50 | 1.88 | 3         |       |      |          |
|            |      | -4 (575)      |       |       |     |      |          | 4.50  | 0.88 | 1.10 | 2         |       |      |          |
| 10-455-09B | 048  | -2 (208-230)+ | 3     | 1     | 1/2 | 1725 | 1        | 11.80 | 3.00 | 3.75 | 6         | 1600  | 691  | 9 x 10AT |
|            |      | -3 (460)+     |       |       |     |      |          | 5.90  | 1.50 | 1.88 | 3         |       |      |          |
|            |      | -4 (575)      |       |       |     |      |          | 4.50  | 0.88 | 1.10 | 2         |       |      |          |
| 10-455-09C | 060  | -2 (208-230)+ | 3     | 1     | 1/2 | 1725 | 1        | 11.80 | 3.00 | 3.75 | 6         | 2000  | 831  | 9 x 10AT |
|            |      | -3 (460)+     |       |       |     |      |          | 5.90  | 1.50 | 1.88 | 3         |       |      |          |
|            |      | -4 (575)      |       |       |     |      |          | 4.50  | 0.88 | 1.10 | 2         |       |      |          |
| 10-455-09D | 072  | -2 (208-230)+ | 3     | 1     | 1   | 1725 | 1        | N/A   | 3.80 | 4.75 | 7         | 2530  | 1024 | 9 x 10AT |
|            |      | -3 (460)+     |       |       |     |      |          | 1.90  | 2.40 | 5    |           |       |      |          |
|            |      | -4 (575)      |       |       |     |      |          | 1.40  | 1.80 | 3    |           |       |      |          |

Note: + Indicates motors are multi-voltage, factory will wire per model# ordered.  
Example: 10-455-09A-\*# = 10-455-09A-23 (For 036 unit 230 volt 3 phase motor).



**SPECIFICATION DATA FOR DAIKIN  
DSC / DSG 036-060  
DTC / DTG 036-060  
DCC / DCG / DCH 036-072 MODELS**

|                  |                         |                                     |                        |                           |                                     |                   |                                  |                             |
|------------------|-------------------------|-------------------------------------|------------------------|---------------------------|-------------------------------------|-------------------|----------------------------------|-----------------------------|
| Model<br>A9-10AT | Flow<br>2530 cfm        | Pressure<br>0.10 in-wg              | Temperature<br>70°F    | Altitude<br>0 ft          | Density<br>0.075 lb/ft <sup>3</sup> | Q Derate<br>0 cfm | P Derate<br>0.00 in-wg           | Vav Set Point<br>0-00 in-wg |
| Fan Tag          | Flow<br>2530 cfm        | Pressure<br>0.10 in-wg              | Power<br>0.94 hp       | Static Efficiency<br>4.2% | Total Efficiency<br>23.7%           | Speed<br>1025 rpm | Outlet Velocity<br>2720 fpm      | Efficiency Rating<br>FEG63  |
|                  | Impeller Dia.<br>9.0 in | Outlet Area<br>0.93 ft <sup>2</sup> | Max. Speed<br>2200 rpm | AMCA Class<br>0           | Drive<br>Belt Drive                 | Blades<br>43      | P Volume<br>1.53 ft <sup>3</sup> | TurnDown<br>100%            |



|             |    |     |     |     |      |      |      |      |    |     |
|-------------|----|-----|-----|-----|------|------|------|------|----|-----|
| Sound (Lwi) | 63 | 125 | 250 | 500 | 1000 | 2000 | 4000 | 8000 | Lw | LwA |
|             | 76 | 73  | 70  | 69  | 69   | 66   | 65   | 62   | 80 | 74  |

FOR LIST PRICES: FORM# GMLP09

JANUARY 3, 2019 FORM# GMEH09

SUPERSEDES: 08-21-18



1625 Diplomat Drive, Carrollton, Texas 75006-6848 Phone (972) 247-7447 (800) 552-4822 Fax (972) 243-0940