

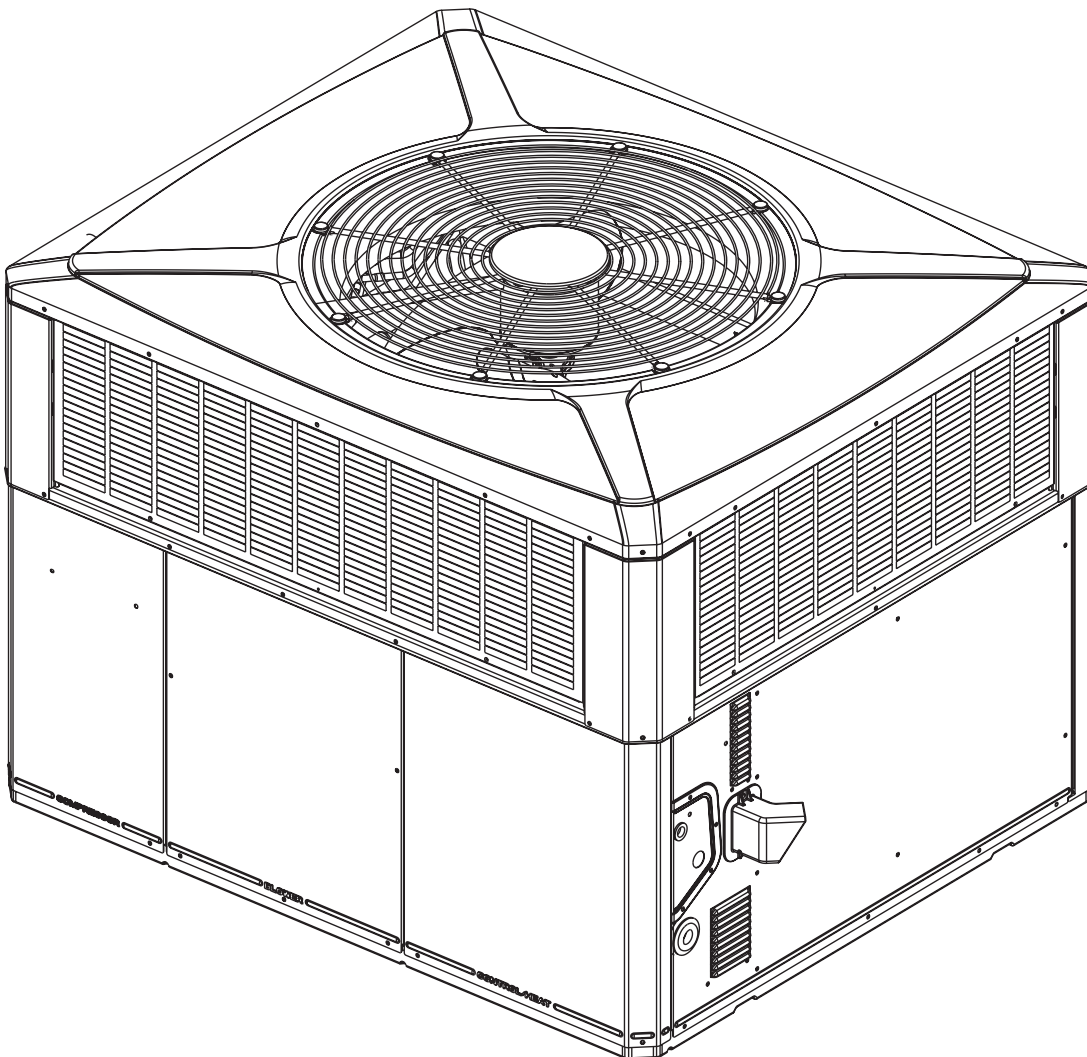


TRANE®

22-1785-12

Product Data

4YCX3018 through 4YCX3060
Single Packaged Convertible
Gas/Electric 13 SEER
1½ - 5 Ton, 40 - 120 MBTU
R-410A



It's Hard to Stop a Trane.

Single Packaged Convertible Gas/ Electric Systems

Trane offers a complete family of packaged gas/electric heating and cooling systems, designed to give you the unbeatable combination of energy efficiency and lower operating costs. In warm weather, the packaged gas/ electric system functions as an all-electric, high efficiency air conditioner. In cold weather, it operates as a natural gas or propane gas furnace, offering you the best of both energy worlds.

Introducing the new TRANE Single Packaged Convertible Gas/Electric System.

Single Packaged Convertible Gas/ Electric Systems are easy and versatile to install. Because cooling and heating functions are all contained in a single cabinet, a single packaged convertible gas/electric system is easy to install and service. It can be flush mounted beside your home at ground level or placed on the roof for horizontal or downflow installation. When connected to an optional Trane thermostat control and air distribution ducts, you have a highly efficient, total home comfort system.

Single Packaged Convertible Gas/ Electric Systems are unmatched in quality and reliability. All major components on these products, including the compressor, have been designed and manufactured for maximum service. Every Climatuff® compressor is designed and manufactured to exacting specifications. Each design is life tested in extreme environments to ensure reliable and long lasting operation in normal applications. Each compressor has internal motor protection for added reliability.

Contents

Optional Equipment Listing.....	4
General Data	5
Performance Data.....	11
Typical Field Wiring	14
Typical Field Wiring.....	15
Typical Field Wiring.....	16
Optional Equipment	17
Dimensional Data and Weights	22
Mechanical Specifications.....	28

Optional Equipment Listing

OPTIONAL EQUIPMENT FOR PACKAGED UNITS (check mark [] indicates accessories included)

Roof Curb Full Perimeter (4YCX3018-36A) ③	BAYCURB050[...]
Roof Curb Full Perimeter (4YCX3042-60A) ③	BAYCURB051[...]
Roof Curb Utility Extension Kit (BAYCURB050)	BAYUTIL101[]
Roof Curb Utility Extension Kit (BAYCURB051)	BAYUTIL102[]
0-25% Manual Fresh Air Damper (4YCX3018-36A) ①	BAYOSAH001[...]
0-25% Manual Fresh Air Damper (4YCX3042-60A) ①	BAYOSAH002[...]
Motorized Fresh Air Damper (4YCX3018-36A) ①	BAYDMPR101[...]
Motorized Fresh Air Damper (4YCX3042-60A) ①	BAYDMPR102[...]
16" Round Duct Adapter (2 per box) (4YCX3018-36A) ⑥	BAYSQRD001[...]
18" Round Duct Adapter (2 per box) (4YCX3018-60A) ⑥	BAYSQRD002[...]
0-100% Mod Economizer w/Baro. Relief (4YCX3018-36A) ①②④	BAYECON101[...]
0-100% Mod. Economizer w/Baro. Relief (4YCX042-60A) ①②④	BAYECON102[...]
0-100% Horizontal Economizer (4YCX3018-36A) ①②	BAYECON200[...]
0-100% Horizontal Economizer (4YCX3042-60A) ①②	BAYECON201[...]
Enthalpy Control for Economizer (solid state)	BAYENTH001[...]
Remote Potentiometer (All-BAYECON***A)	BAYSTAT023[...]
1"-2" Filter Frame (4YCX3018-36A) (20 x 25 filter not included) ①	BAYFLTR101[...]
1"-2" Filter Frame (4YCX3042-60A) (20 x 20,20X18 filter not included) ①	BAYFLTR201[...]
LP Conversion Kit (All 40K, 120K Models)	BAYLPKT100[...]
LP Conversion Kit (All 64K, 96K Models)	BAYLPKT101[...]
LP Conversion Kit (All 75K Models)	BAYLPKT102[...]
Evaporator Defrost Control (Low Ambient Cooling) Kit ⑤	BAYLOAM011[...]
Head Pressure Control (Low Ambient Cool) (208/240v) Kit ⑤	BAYLOAM105[...]
Quick Start Kit (4YCX3-A1)	BAYKSKT301[...]
Crankcase Heater Recip (CX3024,30,42,48A1, 4YCX3018A1)(230v) ⑤	BAYCCHT003[...]
Crankcase Heater Scroll(4YCX3036A1, 4YCX3036,48,60A1/3)(230v) ⑤	BAYCCHT202[...]
Crankcase Heater (4YCX3036,48,60A4)(460v) ⑤	BAYCCHT203[...]
Adapter Curb 4YCX3018-036A to BAYCURB030,38	BAYADAP050[...]
Adapter Curb 4YCX3018-036A to BAYCURB033	BAYADAP051[...]
Adapter Curb 4YCX3042-060A to BAYCURB030,38	BAYADAP052[...]
Adapter Curb 4YCX3042-060A to BAYCURB033	BAYADAP053[...]
Adapter Curb 4YCX3042-060A to BAYCURB034	BAYADAP054[...]
12" Duct Shroud Covers Horizontal 4YCX3018-060A ⑦	BAYCOVR112[...]
18" Duct Shroud Covers Horizontal 4YCX3018-060A ⑦	BAYCOVR118[...]
Extreme Condition Mounting Kit - All BAYCURB & BAYADAP	BAYEXMK001[...]
Extreme Condition Mounting Kit - All BAYUTIL	BAYEXMK002[...]
Extreme Condition Mounting Kit - All Slab Mounts	BAYEXMK003[...]
Lifting Lug Kit	BAYLIFT002[...]

NOTES:

- ① Must use filter frame when economizer/fresh air kit is used.
- ② Dry bulb control standard with economizer.
- ③ Ships knocked down.
- ④ Downflow only.
- ⑤ Low Ambient cooling requires crankcase heater (BAYCCHT----A).
- ⑥ It is the responsibility of the installing dealer to properly size the ductwork for each specific application.
- ⑦ BAYCOVR112,118A will not cover BAYSQRD002A applications
- ⑧ BAYACCDOR1A requires BAYFLTR101B & BAYACCDOR2A requires BAYFLTR201B. They are not backward compatible to BAYFLTR101/201A.

General Data

MODEL	4YCX3018A1040B	4YCX3024B1064B	4YCX3030A1075A	4YCX3036A1064B	4YCX3036A1075B
RATED Volts/PH/Hz	208-230/1/60	208-230/1/60	208-230/1/60	208-230/1/60	208-230/1/60
Performance Cooling BTUH ①	18000	23000	28600	36000	36000
Indoor Airflow (CFM)	675	725	900	1200	1200
Power Input (KW)	1.685	2.09	2.60	3.284	3.284
EER/SEER (BTU/Watt-Hr.)	11.0 / 13.0	11.0 / 13.0	11.0 / 13.0	11.0 / 13.0	11.0 / 13.0
Sound Power Rating [dB(A)] ⑦	69	70	71	71	71
Performance Heating ②					
Input BTUH (Natural Gas) ③	40000	64000	75000	64000	75000
AFUE	79.8	80	79.5	80.0	80.0
Temp. Rise — Min/Max (°F)	35 / 65	35 / 65	30 / 60	25 / 55	30 / 60
Orifice Qty / Drill Size (Natural Gas)	1 / #32	2 / #37	2 / #33	2 / #37	2 / #33
POWER CONN.—V/PH/Hz	208-230/1/60	208-230/1/60	208-230/1/60	208-230/1/60	208-230/1/60
Min. Brch. Cir. Ampacity	10.1	13.6	19.2	25.2	25.2
Fuse Size — Max. (amps)	15	20	30	40	40
Fuse Size — Recmd. (amps)	15	20	30	40	40
COMPRESSOR	RECIPROCATING	RECIPROCATING	RECIPROCATING	SCROLL	SCROLL
Volts/Ph/Hz	208-230/1/60	208-230/1/60	200-230/1/60	208-230/1/60	208-230/1/60
R.L. Amps — L.R. Amps	6.4 / 38.6	8.3 / 57.8	11.1 / 63	16.7 / 79	16.7 / 79
OUTDOOR COIL — TYPE	SPINE-FIN	SPINE-FIN	SPINE-FIN	SPINE-FIN	SPINE-FIN
Rows/F.P.I.	2 / 24	2 / 24	2 / 24	2 / 24	2 / 24
Face Area (sq.ft.)	13.32	13.32	13.32	13.32	13.32
Tube Size (in.)	3/8	3/8	3/8	3/8	3/8
INDOOR COIL — TYPE	PLATE FIN	PLATE FIN	PLATE FIN	PLATE FIN	PLATE FIN
Rows/F.P.I.	3 / 15	3 / 15	3 / 15	4 / 15	4 / 15
Face Area (sq.ft.)	3.54	3.54	3.54	3.54	3.54
Tube Size (in.)	3/8	3/8	3/8	3/8	3/8
Refrigerant Control	EXPANSION VALVE	EXPANSION VALVE	EXPANSION VALVE	EXPANSION VALVE	EXPANSION VALVE
Drain Conn. Size (in.)	3/4 FEMALE NPT	3/4 FEMALE NPT	3/4 FEMALE NPT	3/4 FEMALE NPT	3/4 FEMALE NPT
OUTDOOR FAN — TYPE	PROPELLER	PROPELLER	PROPELLER	PROPELLER	PROPELLER
Dia. (in.)	23.4	23.4	23.4	23.4	23.4
Drive/No. Speeds	DIRECT / 1	DIRECT / 1	DIRECT / 1	DIRECT / 1	DIRECT / 1
CFM @ 0.0 in. w.g. ⑧	2570	2580	3240	3270	3270
Motor — HP/R.P.M.	1/12 / 810	1/12 / 810	1/6 / 830	1/5 / 830	1/5 / 830
Volts/Ph/Hz	208-230/1/60	230/1/60	208-230/1/60	208-230/1/60	208-230/1/60
F.L. Amps/L.R. Amps	0.54 / 0.95	0.90 / 0.95	1.0 / 1.7	1.1 / 1.9	1.1 / 1.9
INDOOR FAN — TYPE	CENTRIFUGAL	CENTRIFUGAL	CENTRIFUGAL	CENTRIFUGAL	CENTRIFUGAL
Dia x Width (in.)	11 X 10	11 X 10	10 X 10	10 X 10	10 X 10
Drive/No. Speeds	DIRECT / 2	DIRECT / 2	DIRECT / VARIABLE	DIRECT / 2	DIRECT / 2
CFM @ 0.0 in. w.g. ⑤	SEE FAN PERF TABLE	SEE FAN PERF TABLE	SEE FAN PERF TABLE	SEE FAN PERF TABLE	SEE FAN PERF TABLE
Motor — HP/R.P.M.	1/8 / 825	1/4 / 825	1/2 / VARIABLE	1/2 / 1075	1/2 / 1075
Volts/Ph/Hz	200-230/1/60	200-230/1/60	208-230/1/60	200-230/1/60	200-230/1/60
F.L. Amps/L.R. Amps	1 / 1.63	1.4 / 2.8	4.3 / 4.3	3.2 / 6.7	3.2 / 6.7
COMBUSTION FAN — TYPE	CENTRIFUGAL	CENTRIFUGAL	CENTRIFUGAL	CENTRIFUGAL	CENTRIFUGAL
Drive/No. Speeds	DIRECT / 1	DIRECT / 1	DIRECT / 2	DIRECT / 1	DIRECT / 1
Motor — HP/R.P.M.	1/35 / 3480	1/35 / 3480	1/45 / 2800/1500	1/35 / 3480	1/35 / 3480
Volts/Ph/Hz	208-230/1/60	208-230/1/60	208-230/1/60	208-230/1/60	208-230/1/60
FLA	0.26	0.26	0.34	0.26	0.26
FILTER / FURNISHED	NO	NO	NO	NO	NO
Type Recommended	THROWAWAY	THROWAWAY	THROWAWAY	THROWAWAY	THROWAWAY
Recmd. Face Area (sq. ft.) ⑥	4.0	4.0	4.0	4.0	4.0
REFRIGERANT	R410A	R410A	R410A	R410A	R410A
Charge (lbs.) ④	6.10	6.0	6.0625	8.00	8.00
GAS PIPE SIZE (in.)	1/2	1/2	1/2	1/2	1/2
DIMENSIONS					
Crated (in.)	H X W X L 45.86 / 44.5 / 52.03	H X W X L 45.86 / 44.5 / 52.03	H X W X L 45.86 / 44.5 / 52.03	H X W X L 45.86 / 44.5 / 52.03	H X W X L 45.86 / 44.5 / 52.03
WEIGHT					
Shipping (lbs.) / Net (lbs.)	471 / 375	444 / 348	481 / 385	488 / 392	488 / 392

① Rated in accordance with AHRI Standard 210/240. AHRI standard rating conditions are: 80 D.B. 67 W.B. entering air to indoor coil. 95 D.B. entering air to outdoor coil.

② All models are certified to UL 1995. Ratings shown are for elevations up to 2000 ft. For higher elevations reduce ratings at a rate of 4% per 1000 ft. elevation.

③ Convertible to LPG

④ This value is approximate. For more precise value, see Unit Nameplate.

⑤ Based on U.S. Government Standard Tests.

⑥ Filters must be installed in return air stream. Square footages listed are based on 300 f.p.m. face velocity. If permanent filters are used size per manufacturer's recommendation with a clean resistance of 0.05" W.C. 0.05" W.C.

⑦ Sound Power values are not adjusted for AHRI270-95 tonal corrections.

⑧ Standard Air — Dry Coil — Outdoor.

General Data

MODEL	4YCX3036A1096B	4YCX3036A3064B	4YCX3036A3075B	4YCX3036A3096B	4YCX3036A4064B
RATED Volts/PH/Hz	208-230/1/60	208-230/3/60	208-230/3/60	208-230/3/60	460/3/60
Performance Cooling BTUH ①	36000	36000	36000	36000	35000
Indoor Airflow (CFM)	1200	1200	1200	1200	1200
Power Input (KW)	3.284	3.284	3.284	3.284	3.284
EER/SEER (BTU/Watt-Hr.)	11.0 / 13.0	11.0 / 13.0	11.0 / 13.0	11.0 / 13.0	11.0 / 13.0
Sound Power Rating [dB(A)] ⑦	71	71	71	71	75
Performance Heating ②					
Input BTUH (Natural Gas) ③	96000	64000	75000	96000	64000
AFUE	80.0	80.0	80.0	80.0	80.0
Temp. Rise — Min/Max (°F)	40 / 70	25 / 55	30 / 60	40 / 70	25 / 55
Orifice Qty / Drill Size (Natural Gas)	3 / #37	2 / #37	2 / #33	3 / #37	2 / #37
POWER CONN.—V/PH/Hz	208-230/1/60	208-230/3/60	208-230/3/60	208-230/3/60	460/3/60
Min. Brch. Cir. Ampacity	25.2	17.2	17.2	17.2	9.5
Fuse Size — Max. (amps)	40	25	25	25	15
Fuse Size — Recmd. (amps)	40	25	25	25	15
COMPRESSOR	SCROLL	SCROLL	SCROLL	SCROLL	SCROLL
Volts/Ph/Hz	208-230/1/60	208-230/3/60	208-230/3/60	208-230/3/60	460/3/60
R.L. Amps — L.R. Amps	16.7 / 79	10.4 / 73	10.4 / 73	10.4 / 73	5.8 / 38
OUTDOOR COIL — TYPE	SPINE-FIN	SPINE-FIN	SPINE-FIN	SPINE-FIN	SPINE-FIN
Rows/F.P.I.	2 / 24	2 / 24	2 / 24	2 / 24	2 / 24
Face Area (sq.ft.)	13.32	13.32	13.32	13.32	13.32
Tube Size (in.)	3/8	3/8	3/8	3/8	3/8
INDOOR COIL — TYPE	PLATE FIN	PLATE FIN	PLATE FIN	PLATE FIN	PLATE FIN
Rows/F.P.I.	4 / 15	4 / 15	4 / 15	4 / 15	4 / 15
Face Area (sq.ft.)	3.54	3.54	3.54	3.54	3.54
Tube Size (in.)	3/8	3/8	3/8	3/8	3/8
Refrigerant Control	EXPANSION VALVE	EXPANSION VALVE	EXPANSION VALVE	EXPANSION VALVE	EXPANSION VALVE
Drain Conn. Size (in.)	3/4 FEMALE NPT	3/4 FEMALE NPT	3/4 FEMALE NPT	3/4 FEMALE NPT	3/4 FEMALE NPT
OUTDOOR FAN — TYPE	PROPELLER	PROPELLER	PROPELLER	PROPELLER	PROPELLER
Dia. (in.)	23.4	23.4	23.4	23.4	23
Drive/No. Speeds	DIRECT / 1	DIRECT / 1	DIRECT / 1	DIRECT / 1	DIRECT / 1
CFM @ 0.0 in. w.g. ⑧	3270	3270	3270	3270	3240
Motor — HP/R.P.M.	1/5 / 830	1/5 / 830	1/5 / 830	1/5 / 830	1/5 / 830
Volts/Ph/Hz	208-230/1/60	208-230/1/60	208-230/1/60	208-230/1/60	460/1/60
F.L. Amps/L.R. Amps	1.1 / 1.9	1.1 / 1.9	1.1 / 1.9	1.1 / 1.9	0.6 / 1.3
INDOOR FAN — TYPE	CENTRIFUGAL	CENTRIFUGAL	CENTRIFUGAL	CENTRIFUGAL	CENTRIFUGAL
Dia x Width (in.)	10 X 10	10 X 10	10 X 10	10 X 10	10 X 10
Drive/No. Speeds	DIRECT / 2	DIRECT / 2	DIRECT / 2	DIRECT / 2	DIRECT / 2
CFM @ 0.0 in. w.g. ⑤	SEE FAN PERF TABLE	SEE FAN PERF TABLE	SEE FAN PERF TABLE	SEE FAN PERF TABLE	SEE FAN PERF TABLE
Motor — HP/R.P.M.	1/2 / 1075	1/2 / 1075	1/2 / 1075	1/2 / 1075	1/2 / 1075
Volts/Ph/Hz	200-230/1/60	200-230/1/60	200-230/1/60	200-230/1/60	460/1/60
F.L. Amps/L.R. Amps	3.2 / 6.7	2.98 / 6.7	2.98 / 6.7	2.98 / 6.7	1.7 / 3.12
COMBUSTION FAN — TYPE	CENTRIFUGAL	CENTRIFUGAL	CENTRIFUGAL	CENTRIFUGAL	CENTRIFUGAL
Drive/No. Speeds	DIRECT / 1	DIRECT / 1	DIRECT / 1	DIRECT / 1	DIRECT / 1
Motor — HP/R.P.M.	1/35 / 3480	1/35 / 3480	1/35 / 3480	1/35 / 3480	1/35 / 3480
Volts/Ph/Hz	208-230/1/60	208-230/1/60	208-230/1/60	208-230/1/60	460/1/60
FLA	0.26	0.26	0.26	0.26	0.25
FILTER / FURNISHED	NO	NO	NO	NO	NO
Type Recommended	THROWAWAY	THROWAWAY	THROWAWAY	THROWAWAY	THROWAWAY
Recmd. Face Area (sq. ft.) ⑥	4.0	4.0	4.0	4.0	4.0
REFRIGERANT	R410A	R410A	R410A	R410A	R410A
Charge (lbs.) ④	8.00	8.00	8.00	8.00	8.00
GAS PIPE SIZE (in.)	1/2	1/2	1/2	1/2	1/2
DIMENSIONS	H X W X L	H X W X L	H X W X L	H X W X L	H X W X L
Crated (in.)	45.86 / 44.5 / 52.03	45.86 / 44.5 / 52.03	45.86 / 44.5 / 52.03	45.86 / 44.5 / 52.03	45.86 / 44.5 / 52.03
WEIGHT					
Shipping (lbs.) / Net (lbs.)	493 / 397	488 / 392	488 / 392	493 / 397	488 / 392

① Rated in accordance with AHRI Standard 210/240. AHRI standard rating conditions are: 80 D.B. 67 W.B. entering air to indoor coil. 95 D.B. entering air to outdoor coil.

② All models are certified to UL 1995. Ratings shown are for elevations up to 2000 ft. For higher elevations reduce ratings at a rate of 4% per 1000 ft. elevation.

③ Convertible to LPG

④ This value is approximate. For more precise value, see Unit Nameplate.

⑤ Based on U.S. Government Standard Tests.

⑥ Filters must be installed in return air stream. Square footages listed are based on 300 f.p.m. face velocity. If permanent filters are used size per manufacturer's recommendation with a clean resistance of 0.05" W.C. 0.05" W.C.

⑦ Sound Power values are not adjusted for AHRI270-95 tonal corrections.

⑧ Standard Air — Dry Coil — Outdoor.

General Data

MODEL	4YCX3036A4075B	4YCX3036A4096B	4YCX3042A1096A	4YCX3048A1075B	4YCX3048A1096B
RATED Volts/PH/Hz	460/3/60	460/3/60	208-230/1/60	208-230/1/60	208-230/1/60
Performance Cooling BTUH ①	35000	35000	41500	46500	46500
Indoor Airflow (CFM)	1200	1200	1350	1599	1599
Power Input (KW)	3.284	3.284	3.77	4.252	4.252
EER/SEER (BTU/Watt-Hr.)	11.0 / 13.0	11.0 / 13.0	11.0 / 13.0	11.0 / 13.0	11.0 / 13.0
Sound Power Rating [dB(A)] ⑦	75	75	74	73	73
Performance Heating ②					
Input BTUH (Natural Gas) ③	75000	96000	96000	75000	96000
AFUE	80.0	80.0	80	80.0	80.0
Temp. Rise — Min/Max (°F)	30 / 60	40 / 70	30 / 60	20 / 50	30 / 60
Orifice Qty / Drill Size (Natural Gas)	2 / #33	3 / #37	3 / #37	2 / #33	3 / #37
POWER CONN.—V/PH/Hz	460/3/60	460/3/60	208-230/1/60	208-230/1/60	208-230/1/60
Min. Brch. Cir. Ampacity	9.5	9.5	31.5	33.1	33.1
Fuse Size — Max. (amps)	15	15	50	50	50
Fuse Size — Recmd. (amps)	15	15	50	50	50
COMPRESSOR	SCROLL	SCROLL	SCROLL	SCROLL	SCROLL
Volts/Ph/Hz	460/3/60	460/3/60	208-230/1/60	208-230/1/60	208-230/1/60
R.L. Amps — L.R. Amps	5.8 / 38	5.8 / 38	18.6 / 105	21.8 / 117	21.8 / 117
OUTDOOR COIL — TYPE	SPINE-FIN	SPINE-FIN	SPINE-FIN	SPINE-FIN	SPINE-FIN
Rows/F.P.I.	2 / 24	2 / 24	2 / 24	2 / 24	2 / 24
Face Area (sq.ft.)	13.32	13.32	18.01	18.01	18.01
Tube Size (in.)	3/8	3/8	3/8	3/8	3/8
INDOOR COIL — TYPE	PLATE FIN	PLATE FIN	PLATE FIN	PLATE FIN	PLATE FIN
Rows/F.P.I.	4 / 15	4 / 15	3 / 15	3 / 15	3 / 15
Face Area (sq.ft.)	3.54	3.54	5	5	5
Tube Size (in.)	3/8	3/8	3/8	3/8	3/8
Refrigerant Control	EXPANSION VALVE	EXPANSION VALVE	EXPANSION VALVE	EXPANSION VALVE	EXPANSION VALVE
Drain Conn. Size (in.)	3/4 FEMALE NPT	3/4 FEMALE NPT	3/4 FEMALE NPT	3/4 FEMALE NPT	3/4 FEMALE NPT
OUTDOOR FAN — TYPE	PROPELLER	PROPELLER	PROPELLER	PROPELLER	PROPELLER
Dia. (in.)	23	23	28.2	28	28
Drive/No. Speeds	DIRECT / 1	DIRECT / 1	DIRECT / 1	DIRECT / 1	DIRECT / 1
CFM @ 0.0 in. w.g. ⑧	3240	3240	4420	4420	4420
Motor — HP/R.P.M.	1/5 / 830	1/5 / 830	1/4 / 825	1/4 / 825	1/4 / 825
Volts/Ph/Hz	460/1/60	460/1/60	208-230/1/60	208-230/1/60	208-230/1/60
F.L. Amps/L.R. Amps	0.6 / 1.3	0.6 / 1.3	1.5 / 3.4	1.4 / 3.5	1.4 / 3.5
INDOOR FAN — TYPE	CENTRIFUGAL	CENTRIFUGAL	CENTRIFUGAL	CENTRIFUGAL	CENTRIFUGAL
Dia x Width (in.)	10 X 10	10 X 10	11 X 10	10 X 10	10 X 10
Drive/No. Speeds	DIRECT / 2	DIRECT / 2	DIRECT / VARIABLE	DIRECT / 2	DIRECT / 2
CFM @ 0.0 in. w.g. ⑤	SEE FAN PERF TABLE	SEE FAN PERF TABLE	SEE FAN PERF TABLE	SEE FAN PERF TBL	SEE FAN PERF TBL
Motor — HP/R.P.M.	1/2 / 1075	1/2 / 1075	3/4 / VARIABLE	3/4 / 1075	3/4 / 1075
Volts/Ph/Hz	460/1/60	460/1/60	208-230/1/60	200-230/1/60	200-230/1/60
F.L. Amps/L.R. Amps	1.7 / 3.12	1.7 / 3.12	6.8 / 6.8	4.4 / 8.8	4.4 / 8.8
COMBUSTION FAN — TYPE	CENTRIFUGAL	CENTRIFUGAL	CENTRIFUGAL	CENTRIFUGAL	CENTRIFUGAL
Drive/No. Speeds	DIRECT / 1	DIRECT / 1	DIRECT / 2	DIRECT / 1	DIRECT / 1
Motor — HP/R.P.M.	1/35 / 3480	1/35 / 3480	1/45 / 2800/1500	1/35 / 3480	1/35 / 3480
Volts/Ph/Hz	460/1/60	460/1/60	208-230/1/60	208-230/1/60	208-230/1/60
FLA	0.25	0.25	0.34	0.26	0.26
FILTER / FURNISHED	NO	NO	NO	NO	NO
Type Recommended	THROWAWAY	THROWAWAY	THROWAWAY	THROWAWAY	THROWAWAY
Recmd. Face Area (sq. ft.) ⑥	4.0	4.0	5.3	5.3	5.3
REFRIGERANT	R410A	R410A	R410A	R410A	R410A
Charge (lbs.) ④	8.00	8.00	6.8125	8.50	8.50
GAS PIPE SIZE (in.)	1/2	1/2	1/2	1/2	1/2
DIMENSIONS					
Crated (in.)	H X W X L 45.86 / 44.5 / 52.03	H X W X L 45.86 / 44.5 / 52.03	H X W X L 47.86 / 47.4 / 61.75	H X W X L 47.86 / 47.4 / 61.75	H X W X L 47.86 / 47.4 / 61.75
WEIGHT					
Shipping (lbs.) / Net (lbs.)	488 / 392	493 / 397	653 / 525	645 / 517	653 / 525

① Rated in accordance with AHRI Standard 210/240. AHRI standard rating conditions are: 80 D.B. 67 W.B. entering air to indoor coil. 95 D.B. entering air to outdoor coil.

② All models are certified to UL 1995. Ratings shown are for elevations up to 2000 ft. For higher elevations reduce ratings at a rate of 4% per 1000 ft. elevation.

③ Convertible to LPG

④ This value is approximate. For more precise value, see Unit Nameplate.

⑤ Based on U.S. Government Standard Tests.

⑥ Filters must be installed in return air stream. Square footages listed are based on 300 f.p.m. face velocity. If permanent filters are used size per manufacturer's recommendation with a clean resistance of 0.05" W.C. 0.05" W.C.

⑦ Sound Power values are not adjusted for AHRI270-95 tonal corrections.

⑧ Standard Air — Dry Coil — Outdoor.

General Data

MODEL	4YCX3048A1120B	4YCX3048A3075B	4YCX3048A3096B	4YCX3048A3120B	4YCX3048A4075B
RATED Volts/PH/Hz	208-230/1/60	208-230/3/60	208-230/3/60	208-230/3/60	460/3/60
Performance Cooling BTUH ①	46500	46500	46500	46500	46500
Indoor Airflow (CFM)	1599	1599	1599	1599	1599
Power Input (KW)	4.252	4.252	4.252	4.252	4.252
EER/SEER (BTU/Watt-Hr.)	11.0 / 13.0	11.0 / 13.0	11.0 / 13.0	11.0 / 13.0	11.0 / 13.0
Sound Power Rating [dB(A)] ⑦	73	73	73	73	73
Performance Heating ②					
Input BTUH (Natural Gas) ③	120000	75000	96000	120000	75000
AFUE	80.0	80.0	80.0	80.0	80.0
Temp. Rise — Min/Max (°F)	40 / 70	20 / 50	30 / 60	40 / 70	20 / 50
Orifice Qty / Drill Size (Natural Gas)	3 / #32	2 / #33	3 / #37	3 / #32	2 / #33
POWER CONN.—V/PH/Hz	208-230/1/60	208-230/3/60	208-230/3/60	208-230/3/60	460/3/60
Min. Brch. Cir. Ampacity	33.1	22.9	22.9	22.9	10.7
Fuse Size — Max. (amps)	50	35	35	35	15
Fuse Size — Recmd. (amps)	50	35	35	35	15
COMPRESSOR	SCROLL	SCROLL	SCROLL	SCROLL	SCROLL
Volts/Ph/Hz	208-230/1/60	208-230/3/60	208-230/3/60	208-230/3/60	460/3/60
R.L. Amps — L.R. Amps	21.8 / 117	13.7 / 83.1	13.7 / 83.1	13.7 / 83.1	6.2 / 41
OUTDOOR COIL — TYPE	SPINE-FIN	SPINE-FIN	SPINE-FIN	SPINE-FIN	SPINE-FIN
Rows/F.P.I.	2 / 24	2 / 24	2 / 24	2 / 24	2 / 24
Face Area (sq.ft.)	18.01	18.01	18.01	18.01	18.01
Tube Size (in.)	3/8	3/8	3/8	3/8	3/8
INDOOR COIL — TYPE	PLATE FIN	PLATE FIN	PLATE FIN	PLATE FIN	PLATE FIN
Rows/F.P.I.	3 / 15	3 / 15	3 / 15	3 / 15	3 / 15
Face Area (sq.ft.)	5	5	5	5	5
Tube Size (in.)	3/8	3/8	3/8	3/8	3/8
Refrigerant Control	EXPANSION VALVE	EXPANSION VALVE	EXPANSION VALVE	EXPANSION VALVE	EXPANSION VALVE
Drain Conn. Size (in.)	3/4 FEMALE NPT	3/4 FEMALE NPT	3/4 FEMALE NPT	3/4 FEMALE NPT	3/4 FEMALE NPT
OUTDOOR FAN — TYPE	PROPELLER	PROPELLER	PROPELLER	PROPELLER	PROPELLER
Dia. (in.)	28	28	28	28	28
Drive/No. Speeds	DIRECT / 1	DIRECT / 1	DIRECT / 1	DIRECT / 1	DIRECT / 1
CFM @ 0.0 in. w.g. ⑧	4420	4240	4240	4240	4420
Motor — HP/R.P.M.	1/4 / 825	1/4 / 825	1/4 / 825	1/4 / 825	1/4 / 830
Volts/Ph/Hz	208-230/1/60	208-230/1/60	208-230/1/60	208-230/1/60	460/1/60
F.L. Amps/L.R. Amps	1.4 / 3.5	1.4 / 3.5	1.4 / 3.5	1.4 / 3.5	0.74 / 1.6
INDOOR FAN — TYPE	CENTRIFUGAL	CENTRIFUGAL	CENTRIFUGAL	CENTRIFUGAL	CENTRIFUGAL
Dia x Width (in.)	10 X 10	10 X 10	10 X 10	10 X 10	10 X 10
Drive/No. Speeds	DIRECT / 2	DIRECT / 2	DIRECT / 2	DIRECT / 2	DIRECT / 2
CFM @ 0.0 in. w.g. ⑤	SEE FAN PERF TBL	SEE FAN PERF TABLE	SEE FAN PERF TABLE	SEE FAN PERF TABLE	SEE FAN PERF. TABLE
Motor — HP/R.P.M.	3/4 / 1075	3/4 / 1075	3/4 / 1075	3/4 / 1075	3/4 / 1080
Volts/Ph/Hz	200-230/1/60	200-230/1/60	200-230/1/60	200-230/1/60	460/1/60
F.L. Amps/L.R. Amps	4.4 / 8.8	4.4 / 8.8	4.4 / 8.8	4.4 / 8.8	2.2 / 4.36
COMBUSTION FAN — TYPE	CENTRIFUGAL	CENTRIFUGAL	CENTRIFUGAL	CENTRIFUGAL	CENTRIFUGAL
Drive/No. Speeds	DIRECT / 1	DIRECT / 1	DIRECT / 1	DIRECT / 1	DIRECT / 1
Motor — HP/R.P.M.	1/35 / 3480	1/35 / 3480	1/35 / 3480	1/35 / 3480	1/35 / 3480
Volts/Ph/Hz	208-230/1/60	208-230/1/60	208-230/1/60	208-230/1/60	460/1/60
FLA	0.26	0.26	0.26	0.26	0.25
FILTER / FURNISHED	NO	NO	NO	NO	NO
Type Recommended	THROWAWAY	THROWAWAY	THROWAWAY	THROWAWAY	THROWAWAY
Recmd. Face Area (sq. ft.) ⑥	5.3	5.3	5.3	5.3	5.3
REFRIGERANT	R410A	R410A	R410A	R410A	R410A
Charge (lbs.) ④	8.50	8.50	8.50	8.50	8.50
GAS PIPE SIZE (in.)	1/2	1/2	1/2	1/2	1/2
DIMENSIONS	H X W X L	H X W X L	H X W X L	H X W X L	H X W X L
Crated (in.)	47.86 / 47.4 / 61.75	47.86 / 47.4 / 61.75	47.86 / 47.4 / 61.75	47.86 / 47.4 / 61.75	47.86 / 47.4 / 61.75
WEIGHT					
Shipping (lbs.) / Net (lbs.)	659 / 531	645 / 517	653 / 525	659 / 531	645 / 517

① Rated in accordance with AHRI Standard 210/240. AHRI standard rating conditions are: 80 D.B. 67 W.B. entering air to indoor coil. 95 D.B. entering air to outdoor coil.

② All models are certified to UL 1995. Ratings shown are for elevations up to 2000 ft. For higher elevations reduce ratings at a rate of 4% per 1000 ft. elevation.

③ Convertible to LPG

④ This value is approximate. For more precise value, see Unit Nameplate.

⑤ Based on U.S. Government Standard Tests.

⑥ Filters must be installed in return air stream. Square footages listed are based on 300 f.p.m. face velocity. If permanent filters are used size per manufacturer's recommendation with a clean resistance of 0.05" W.C. 0.05" W.C.

⑦ Sound Power values are not adjusted for AHRI270-95 tonal corrections.

⑧ Standard Air — Dry Coil — Outdoor.

General Data

MODEL	4YCX3048A4096B	4YCX3048A4120B	4YCX3060A1096B	4YCX3060A1120B	4YCX3060A3096B
RATED Volts/PH/Hz	460/3/60	460/3/60	208-230/1/60	208-230/1/60	208-230/3/60
Performance Cooling BTUH ①	46500	46500	60000	60000	60000
Indoor Airflow (CFM)	1599	1599	1800	1800	1800
Power Input (KW)	4.252	4.252	5.478	5.478	5.478
EER/SEER (BTU/Watt-Hr.)	11.0 / 13.0	11.0 / 13.0	10.95 / 13.0	10.95 / 13.0	10.95 / 13.0
Sound Power Rating [dB(A)] ⑦	73	73	75	75	75
Performance Heating ②					
Input BTUH (Natural Gas) ③	96000	120000	96000	120000	96000
AFUE	80.0	80.0	80.0	80.0	80.0
Temp. Rise — Min/Max (°F)	30 / 60	40 / 70	25 / 55	30 / 60	25 / 55
Orifice Qty / Drill Size (Natural Gas)	3 / #37	3 / #32	3 / #37	3 / #32	3 / #37
POWER CONN.—V/PH/Hz	460/3/60	460/3/60	208-230/1/60	208-230/1/60	208-230/3/60
Min. Brch. Cir. Ampacity	10.7	10.7	41.9	41.9	28.6
Fuse Size — Max. (amps)	15	15	60	60	40
Fuse Size — Recmd. (amps)	15	15	60	60	40
COMPRESSOR	SCROLL	SCROLL	SCROLL	SCROLL	SCROLL
Volts/Ph/Hz	460/3/60	460/3/60	208-230/1/60	208-230/1/60	208-230/3/60
R.L. Amps — L.R. Amps	6.2 / 41	6.2 / 41	26.3 / 134	26.3 / 134	15.6 / 110
OUTDOOR COIL — TYPE	SPINE-FIN	SPINE-FIN	SPINE-FIN	SPINE-FIN	SPINE-FIN
Rows/F.P.I.	2 / 24	2 / 24	2 / 24	2 / 24	2 / 24
Face Area (sq.ft.)	18.01	18.01	23.57	23.57	23.57
Tube Size (in.)	3/8	3/8	3/8	3/8	3/8
INDOOR COIL — TYPE	PLATE FIN	PLATE FIN	PLATE FIN	PLATE FIN	PLATE FIN
Rows/F.P.I.	3 / 15	3 / 15	4 / 15	4 / 15	4 / 15
Face Area (sq.ft.)	5	5	5	5	5
Tube Size (in.)	3/8	3/8	3/8	3/8	3/8
Refrigerant Control	EXPANSION VALVE	EXPANSION VALVE	EXPANSION VALVE	EXPANSION VALVE	EXPANSION VALVE
Drain Conn. Size (in.)	3/4 FEMALE NPT	3/4 FEMALE NPT	3/4 FEMALE NPT	3/4 FEMALE NPT	3/4 FEMALE NPT
OUTDOOR FAN — TYPE	PROPELLER	PROPELLER	PROPELLER	PROPELLER	PROPELLER
Dia. (in.)	28	28	28	28	28
Drive/No. Speeds	DIRECT / 1	DIRECT / 1	DIRECT / 1	DIRECT / 1	DIRECT / 1
CFM @ 0.0 in. w.g. ④	4420	4420	4420	4420	4420
Motor — HP/R.P.M.	1/4 / 830	1/4 / 830	1/4 / 825	1/4 / 825	1/4 / 825
Volts/Ph/Hz	460/1/60	460/1/60	208-230/1/60	208-230/1/60	208-230/1/60
F.L. Amps/L.R. Amps	0.74 / 1.6	0.74 / 1.6	1.4 / 3.5	1.4 / 3.5	1.4 / 3.5
INDOOR FAN — TYPE	CENTRIFUGAL	CENTRIFUGAL	CENTRIFUGAL	CENTRIFUGAL	CENTRIFUGAL
Dia x Width (in.)	10 X 10	10 X 10	11 X 10	11 X 10	11 X 10
Drive/No. Speeds	DIRECT / 2	DIRECT / 2	DIRECT / 3	DIRECT / 3	DIRECT / 3
CFM @ 0.0 in. w.g. ⑤	SEE FAN PERF. TABLE	SEE FAN PERF. TABLE	SEE FAN PERF TABLE	SEE FAN PERF TABLE	SEE FAN PERF TABLE
Motor — HP/R.P.M.	3/4 / 1080	3/4 / 1080	1 / 1075	1 / 1075	1 / 1075
Volts/Ph/Hz	460/1/60	460/1/60	208-230/1/60	208-230/1/60	208-230/1/60
F.L. Amps/L.R. Amps	2.2 / 4.36	2.2 / 4.36	7.6 / 7.4	7.6 / 7.4	7.6 / 7.4
COMBUSTION FAN — TYPE	CENTRIFUGAL	CENTRIFUGAL	CENTRIFUGAL	CENTRIFUGAL	CENTRIFUGAL
Drive/No. Speeds	DIRECT / 1	DIRECT / 1	DIRECT / 1	DIRECT / 1	DIRECT / 1
Motor — HP/R.P.M.	1/35 / 3480	1/35 / 3480	1/35 / 3480	1/35 / 3480	1/35 / 3480
Volts/Ph/Hz	460/1/60	460/1/60	208-230/1/60	208-230/1/60	208-230/1/60
FLA	0.25	0.25	0.26	0.26	0.26
FILTER / FURNISHED	NO	NO	NO	NO	NO
Type Recommended	THROWAWAY	THROWAWAY	THROWAWAY	THROWAWAY	THROWAWAY
Recmd. Face Area (sq. ft.) ⑥	5.3	5.3	5.3	5.3	5.3
REFRIGERANT	R410A	R410A	R410A	R410A	R410A
Charge (lbs.) ④	8.50	8.50	10.30	10.30	10.30
GAS PIPE SIZE (in.)	1/2	1/2	1/2	1/2	1/2
DIMENSIONS					
Crated (in.)	H X W X L 47.86 / 47.4 / 61.75	H X W X L 47.86 / 47.4 / 61.75	H X W X L 49.86 / 47.4 / 61.75	H X W X L 49.86 / 47.4 / 61.75	H X W X L 49.86 / 47.4 / 61.75
WEIGHT					
Shipping (lbs.) / Net (lbs.)	653 / 525	659 / 531	678 / 550	684 / 556	678 / 550

① Rated in accordance with AHRI Standard 210/240. AHRI standard rating conditions are: 80 D.B. 67 W.B. entering air to indoor coil. 95 D.B. entering air to outdoor coil.

② All models are certified to UL 1995. Ratings shown are for elevations up to 2000 ft. For higher elevations reduce ratings at a rate of 4% per 1000 ft. elevation.

③ Convertible to LPG

④ This value is approximate. For more precise value, see Unit Nameplate.

⑤ Based on U.S. Government Standard Tests.

⑥ Filters must be installed in return air stream. Square footages listed are based on 300 f.p.m. face velocity. If permanent filters are used size per manufacturer's recommendation with a clean resistance of 0.05" W.C. 0.05" W.C.

⑦ Sound Power values are not adjusted for AHRI270-95 tonal corrections.

⑧ Standard Air — Dry Coil — Outdoor.

General Data

MODEL	4YCX3060A3120B	4YCX3060A4096B	4YCX3060A4120B
RATED Volts/PH/Hz	208-230/3/60	460/3/60	460/3/60
Performance Cooling BTUH ①	60000	60000	60000
Indoor Airflow (CFM)	1800	1800	1800
Power Input (KW)	5.478	5.478	5.478
EER/SEER (BTU/Watt-Hr.)	10.95 / 13.0	10.95 / 13.0	10.95 / 13.0
Sound Power Rating [dB(A)] ⑦	75	75	75
Performance Heating ②			
Input BTUH (Natural Gas) ③	120000	96000	120000
AFUE	80.0	80.0	80.0
Temp. Rise — Min/Max (°F)	30 / 60	25 / 55	30 / 60
Orifice Qty / Drill Size (Natural Gas)	3 / #32	3 / #37	3 / #32
POWER CONN.—V/PH/Hz	208-230/3/60	460/3/60	460/3/60
Min. Brch. Cir. Ampacity	28.6	18.0	18.0
Fuse Size — Max. (amps)	40	25	25
Fuse Size — Recmd. (amps)	40	25	25
COMPRESSOR	SCROLL	SCROLL	SCROLL
Volts/Ph/Hz	208-230/3/60	460/3/60	460/3/60
R.L. Amps — L.R. Amps	15.6 / 110	7.8 / 52	7.8 / 52
OUTDOOR COIL — TYPE	SPINE-FIN	SPINE-FIN	SPINE-FIN
Rows/F.P.I.	2 / 24	2 / 24	2 / 24
Face Area (sq.ft.)	23.57	20.54	20.54
Tube Size (in.)	3/8	3/8	3/8
INDOOR COIL — TYPE	PLATE FIN	PLATE FIN	PLATE FIN
Rows/F.P.I.	4 / 15	4 / 15	4 / 15
Face Area (sq.ft.)	5	5	5
Tube Size (in.)	3/8	3/8	3/8
Refrigerant Control	EXPANSION VALVE	EXPANSION VALVE	EXPANSION VALVE
Drain Conn. Size (in.)	3/4 FEMALE NPT	3/4 FEMALE NPT	3/4 FEMALE NPT
OUTDOOR FAN — TYPE	PROPELLER	PROPELLER	PROPELLER
Dia. (in.)	28	28	28
Drive/No. Speeds	DIRECT / 1	DIRECT / 1	DIRECT / 1
CFM @ 0.0 in. w.g. ⑧	4420	4420	4420
Motor — HP/R.P.M.	1/4 / 825	1/4 / 830	1/4 / 830
Volts/Ph/Hz	208-230/1/60	208-230/1/60	208-230/1/60
F.L. Amps/L.R. Amps	1.4 / 3.5	0.74 / 1.6	0.74 / 1.6
INDOOR FAN — TYPE	CENTRIFUGAL	CENTRIFUGAL	CENTRIFUGAL
Dia x Width (in.)	11 X 10	11 X 10	11 X 10
Drive/No. Speeds	DIRECT / 3	DIRECT / 3	DIRECT / 3
CFM @ 0.0 in. w.g. ⑤	SEE FAN PERF TABLE	SEE FAN PERF. TABLE	SEE FAN PERF. TABLE
Motor — HP/R.P.M.	1 / 1075	1 / 1075	1 / 1075
Volts/Ph/Hz	208-230/1/60	208-230/1/60	208-230/1/60
F.L. Amps/L.R. Amps	7.6 / 7.4	7.6 / 7.4	7.6 / 7.4
COMBUSTION FAN — TYPE	CENTRIFUGAL	CENTRIFUGAL	CENTRIFUGAL
Drive/No. Speeds	DIRECT / 1	DIRECT / 1	DIRECT / 1
Motor — HP/R.P.M.	1/35 / 3480	1/35 / 3480	1/35 / 3480
Volts/Ph/Hz	208-230/1/60	460/1/60	460/1/60
FLA	0.26	0.25	0.25
FILTER / FURNISHED	NO	NO	NO
Type Recommended	THROWAWAY	THROWAWAY	THROWAWAY
Recmd. Face Area (sq. ft.) ⑥	5.3	6.7	6.7
REFRIGERANT	R410A	R410A	R410A
Charge (lbs.) ④	10.30	10.30	10.30
GAS PIPE SIZE (in.)	1/2	1/2	1/2
DIMENSIONS	H X W X L	H X W X L	H X W X L
Crated (in.)	49.86 / 47.4 / 61.75	49.86 / 47.4 / 61.75	49.86 / 47.4 / 61.75
WEIGHT			
Shipping (lbs.) / Net (lbs.)	684 / 556	678 / 550	684 / 556

① Rated in accordance with AHRI Standard 210/240. AHRI standard rating conditions are: 80 D.B. 67 W.B. entering air to indoor coil. 95 D.B. entering air to outdoor coil.

② All models are certified to UL 1995. Ratings shown are for elevations up to 2000 ft. For higher elevations reduce ratings at a rate of 4% per 1000 ft. elevation.

③ Convertible to LPG

④ This value is approximate. For more precise value, see Unit Nameplate.

⑤ Based on U.S. Government Standard Tests.

⑥ Filters must be installed in return air stream. Square footages listed are based on 300 f.p.m. face velocity. If permanent filters are used size per manufacturer's recommendation with a clean resistance of 0.05" W.C. 0.05" W.C.

⑦ Sound Power values are not adjusted for AHRI270-95 tonal corrections.

⑧ Standard Air — Dry Coil — Outdoor.

Performance Data

Indoor Fan Performance 4YC*3018A

Horizontal Airflow

4YC*3018A1-HOR		EXTERNAL STATIC PRESSURE (IN. WG)										
MOTOR SPEED		0.0	0.1	0.2	0.3	0.4	0.5	0.6	0.7	0.8	0.9	1.0
LOW	WATTS	149	147	142	138	-	-	-	-	-	-	-
	CFM	688	631	547	461	-	-	-	-	-	-	-
HIGH	WATTS	-	269	259	247	233	220	208	-	-	-	-
	CFM	-	1049	981	897	794	674	549	-	-	-	-

Down Airflow

4YC*3018A1-DOWN		EXTERNAL STATIC PRESSURE (IN. WG)										
MOTOR SPEED		0.0	0.1	0.2	0.3	0.4	0.5	0.6	0.7	0.8	0.9	1.0
LOW	WATTS	148	143	141	137	-	-	-	-	-	-	-
	CFM	668	593	515	440	-	-	-	-	-	-	-
HIGH	WATTS	275	264	254	244	232	218	205	-	-	-	-
	CFM	1066	989	927	852	750	626	502	-	-	-	-

Indoor Fan Performance 4YC*3024B

Horizontal Airflow

4YC*3024B - HOR		EXTERNAL STATIC PRESSURE (IN. WG)										
MOTOR SPEED		0.0	0.1	0.2	0.3	0.4	0.5	0.6	0.7	0.8	0.9	1.0
LOW	WATTS	215	212	205	195	186	-	-	-	-	-	-
	CFM	831	796	743	677	602	-	-	-	-	-	-
HIGH	WATTS	-	-	358	345	327	302	277	266	-	-	-
	CFM	-	-	1239	1165	1056	898	720	593	-	-	-

Down Airflow

4YC*3024B - DOWN		EXTERNAL STATIC PRESSURE (IN. WG)										
MOTOR SPEED		0.0	0.1	0.2	0.3	0.4	0.5	0.6	0.7	0.8	0.9	1.0
LOW	WATTS	215	208	201	193	183	-	-	-	-	-	-
	CFM	812	766	721	662	583	-	-	-	-	-	-
HIGH	WATTS	377	367	351	331	310	291	274	262	-	-	-
	CFM	1331	1274	1193	1090	966	829	686	547	-	-	-

Indoor Fan Performance 4YC*3030B

Horizontal Airflow

4YC*3030B - HOR		EXTERNAL STATIC PRESSURE (IN. WG)										
MOTOR SPEED		0.0	0.1	0.2	0.3	0.4	0.5	0.6	0.7	0.8	0.9	1.0
LOW	WATTS	358	345	339	331	319	301	-	-	-	-	-
	CFM	1218	1149	1103	1052	979	879	-	-	-	-	-
HIGH	WATTS	-	-	-	467	450	434	415	390	-	-	-
	CFM	-	-	-	1330	1248	1158	1048	901	-	-	-

Down Airflow

4YC*3030B - DOWN		EXTERNAL STATIC PRESSURE (IN. WG)										
MOTOR SPEED		0.0	0.1	0.2	0.3	0.4	0.5	0.6	0.7	0.8	0.9	1.0
LOW	WATTS	358	345	336	325	312	297	-	-	-	-	-
	CFM	1176	1136	1080	1012	933	839	-	-	-	-	-
HIGH	WATTS	-	-	-	463	443	424	404	381	-	-	-
	CFM	-	-	-	1296	1201	1093	969	822	-	-	-

Performance Data

Indoor Fan Performance 4YC*3036A

Horizontal Airflow

4YC*3036A-HOR		EXTERNAL STATIC PRESSURE (IN. WG)										
MOTOR SPEED		0.0	0.1	0.2	0.3	0.4	0.5	0.6	0.7	0.8	0.9	1.0
LOW	WATTS	470	448	434	420	402	378	351	-	-	-	-
	CFM	1332	1292	1240	1177	1100	1007	896	-	-	-	-
HIGH	WATTS	-	670	651	634	616	595	569	536	498	-	-
	CFM	-	1542	1472	1426	1364	1267	1135	989	869	-	-

Down Airflow

4YC*3036A-DOWN		EXTERNAL STATIC PRESSURE (IN. WG)										
MOTOR SPEED		0.0	0.1	0.2	0.3	0.4	0.5	0.6	0.7	0.8	0.9	1.0
LOW	WATTS	460	445	431	416	400	381	358	-	-	-	-
	CFM	1267	1257	1198	1124	1050	966	843	-	-	-	-
HIGH	WATTS	-	713	694	676	657	636	612	588	-	-	-
	CFM	-	1584	1502	1420	1327	1221	1100	970	-	-	-

Indoor Fan Performance 4YC*3042B

Horizontal Airflow

4YC*3042B - HOR		EXTERNAL STATIC PRESSURE (IN. WG)										
MOTOR SPEED		0.0	0.1	0.2	0.3	0.4	0.5	0.6	0.7	0.8	0.9	1.0
LOW	WATTS	543	540	532	522	511	499	484	461	-	-	-
	CFM	1490	1490	1471	1444	1415	1382	1339	1272	-	-	-
HIGH	WATTS	-	633	624	602	580	562	547	525	480	-	-
	CFM	-	1715	1695	1640	1584	1539	1497	1428	1284	-	-

Down Airflow

4YC*3042B - DOWN		EXTERNAL STATIC PRESSURE (IN. WG)										
MOTOR SPEED		0.0	0.1	0.2	0.3	0.4	0.5	0.6	0.7	0.8	0.9	1.0
LOW	WATTS	548	523	517	512	497	472	446	440	-	-	-
	CFM	1525	1467	1449	1429	1386	1320	1250	1215	-	-	-
HIGH	WATTS	-	611	597	583	567	549	529	507	482	-	-
	CFM	-	1680	1646	1606	1559	1505	1441	1366	1277	-	-

Indoor Fan Performance 4YC*3048A

Horizontal Airflow

4YC*3048A -HOR		EXTERNAL STATIC PRESSURE (IN. WG)										
MOTOR SPEED		0.0	0.1	0.2	0.3	0.4	0.5	0.6	0.7	0.8	0.9	1.0
LOW	WATTS	687	668	649	628	606	581	551	516	-	-	-
	CFM	1863	1810	1760	1708	1648	1577	1493	1391	-	-	-
HIGH	WATTS	-	935	921	886	851	825	803	773	708	-	-
	CFM	-	2159	2110	2017	1919	1833	1753	1652	1482	-	-

Down Airflow

4YC*3048A -DOWN		EXTERNAL STATIC PRESSURE (IN. WG)										
MOTOR SPEED		0.0	0.1	0.2	0.3	0.4	0.5	0.6	0.7	0.8	0.9	1.0
LOW	WATTS	671	650	632	614	594	571	543	512	-	-	-
	CFM	1839	1795	1741	1682	1622	1554	1472	1362	-	-	-
HIGH	WATTS	-	901	879	857	835	813	787	754	708	-	-
	CFM	-	2080	2013	1943	1872	1797	1709	1590	1418	-	-

Performance Data

indoor Fan Performance 4YC*3060A

Horizontal Airflow

4YC*3060A-HOR		EXTERNAL STATIC PRESSURE (IN. WG)										
MOTOR SPEED		0.0	0.1	0.2	0.3	0.4	0.5	0.6	0.7	0.8	0.9	1.0
LOW	WATTS	500	498	513	532	548	559	568	582	-	-	-
	CFM	1884	1873	1842	1806	1772	1743	1716	1685	-	-	-
MEDIUM	WATTS	657	650	659	677	696	714	729	741	752	767	-
	CFM	2052	2056	2035	2002	1967	1935	1907	1878	1841	1783	-
HIGH	WATTS	-	780	790	802	816	831	846	860	870	874	-
	CFM	-	2184	2151	2128	2103	2069	2030	1994	1979	2012	-

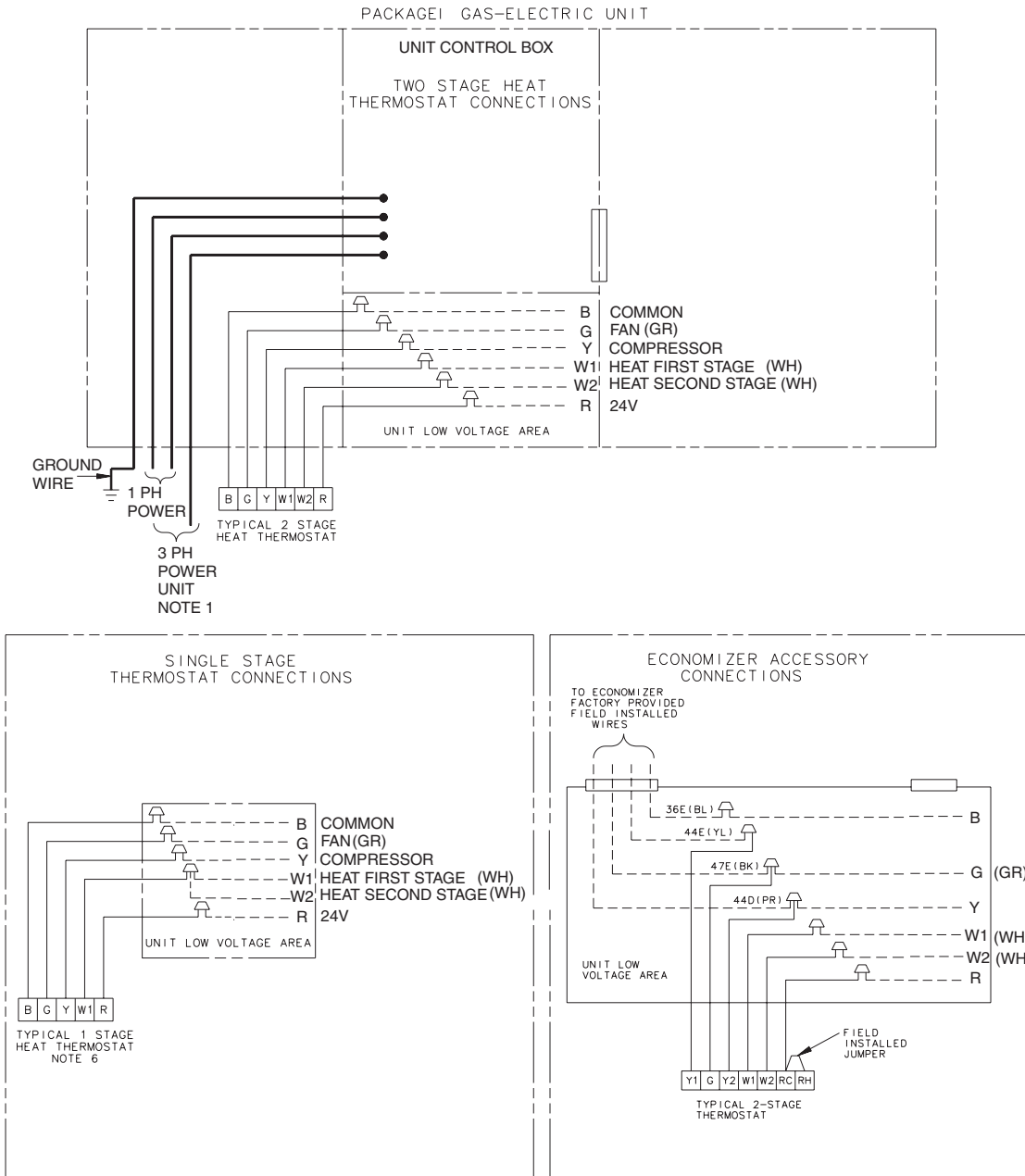
Down Airflow

4YC*3060A-DOWN		EXTERNAL STATIC PRESSURE (IN. WG)										
MOTOR SPEED		0.0	0.1	0.2	0.3	0.4	0.5	0.6	0.7	0.8	0.9	1.0
LOW	WATTS	499	511	525	540	553	565	578	593	-	-	-
	CFM	1873	1850	1816	1779	1742	1709	1676	1639	-	-	-
MEDIUM	WATTS	661	670	684	698	712	725	737	749	764	785	-
	CFM	2071	2034	2001	1970	1941	1912	1881	1844	1799	1740	-
HIGH	WATTS	-	800	819	826	834	848	866	875	859	790	-
	CFM	-	2158	2123	2092	2063	2034	2000	1961	1911	1849	-

AFUE Ratings

4YCX AFUE RATINGS
All 4YCX3018A through 4YCX3060A units are rated at 80.0 AFUE with the following exceptions:
4YCX3018A1040 is rated at 79.8 AFUE
4YCX3024A1064 is rated at 79.0 AFUE
4YCX3030A1075 is rated at 79.5 AFUE

Typical Field Wiring



NOTES:

1. FUSED DISCONNECT SIZE, POWER WIRING AND GROUNDING OF EQUIPMENT MUST COMPLY WITH CODES.
2. BE SURE POWER SUPPLY AGREES WITH EQUIPMENT AND HEATER NAMEPLATE.
3. LOW VOLTAGE WIRING TO BE 18 AWG MINIMUM CONDUCTOR.
4. SEE UNIT DIAGRAM FOR ELECTRICAL CONNECTION DETAILS.
5. THE THERMOSTAT ON THE GAS/ELECTRIC UNIT MUST PROVIDE A 'G' SIGNAL IN THE COOLING MODE ONLY. DURING THE HEATING MODE THE FAN WILL BE ENERGIZED BY THE SYSTEM.
6. FOR SINGLE STAGE THERMOSTATS JUMPER W1 AND W2 TOGETHER. SECOND STAGE HEAT WILL BEGIN 10 MINUTES AFTER FIRST STAGE.

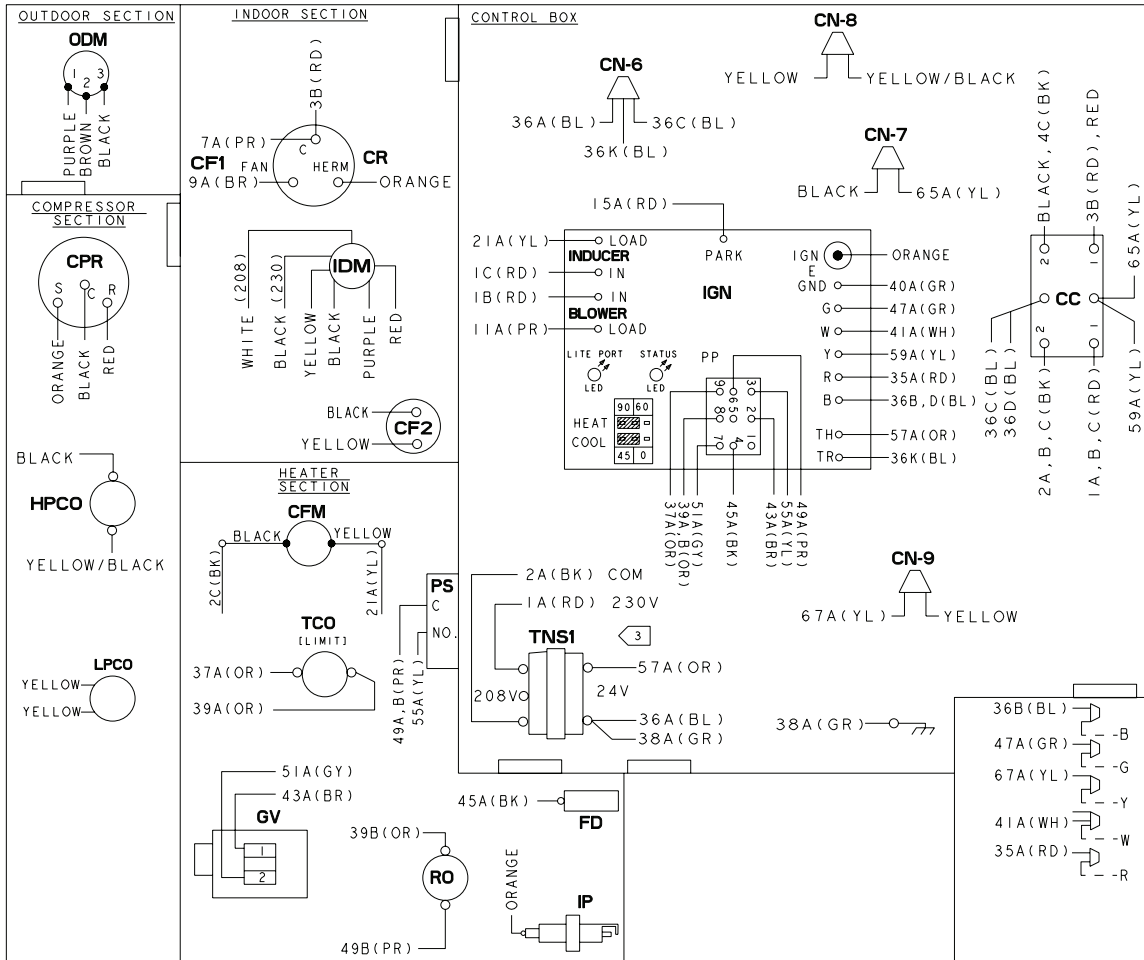
INTER-COMPONENT WIRING

- - - - - 24V. LINE V. } FACTORY WIRING
 - - - - - 24V. LINE V. } FIELD WIRING

WIRE COLOR DESIGNATION			
ABBR	COLOR	ABBR	COLOR
BK	BLACK	PR	PURPLE
BL	BLUE	RD	RED
BR	BROWN	WH	WHITE
GR	GREEN	YL	YELLOW
OR	ORANGE		

Typical Field Wiring

Models 4YCX3018–060 - See Service Facts for detailed wiring diagrams of the individual models



NOTES:

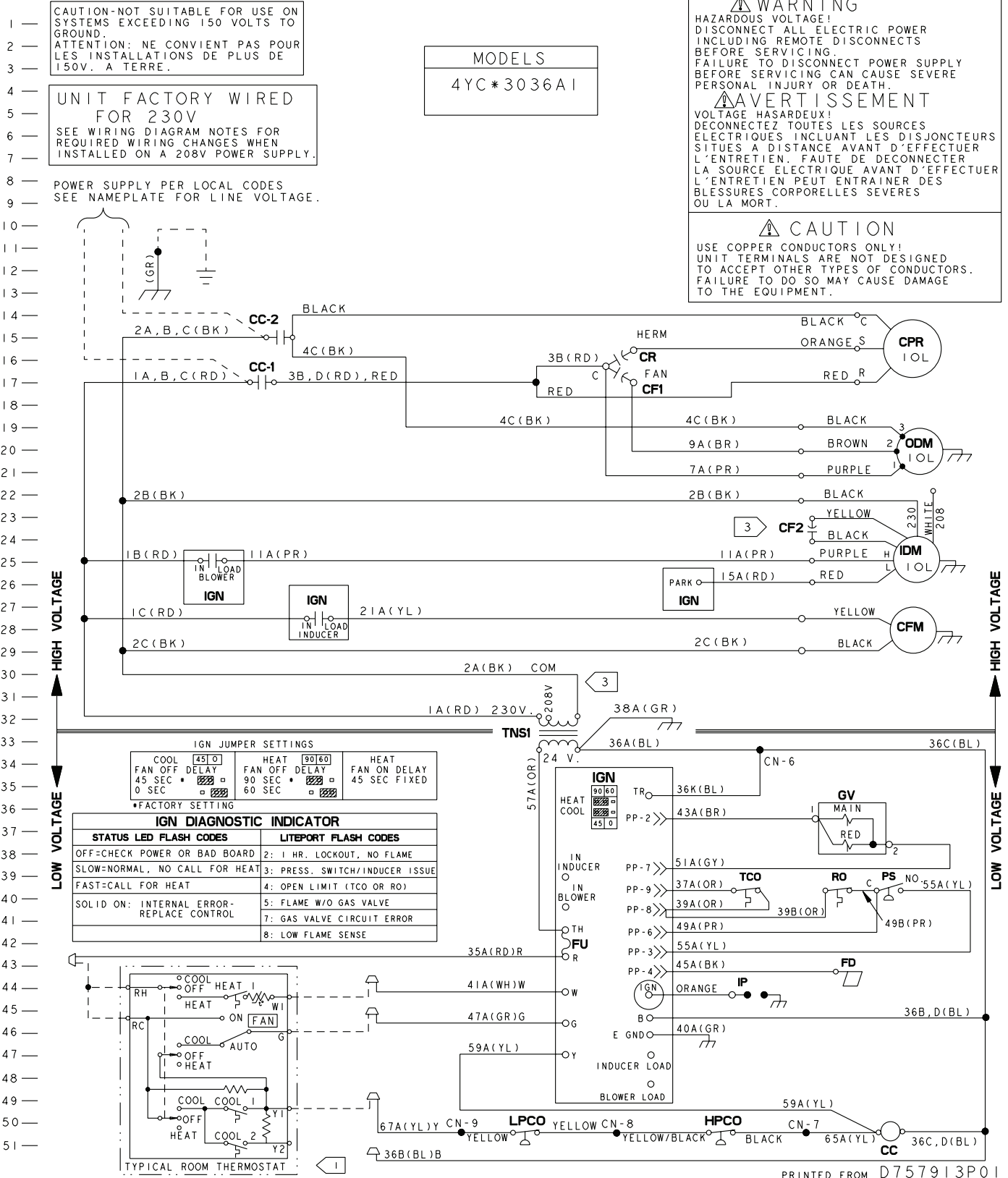
1. CONNECTIONS SHOWN ARE FOR A TYPICAL THERMOSTAT. SEE SCHEMATIC SUPPLIED WITH THERMOSTAT FOR PROPER CONNECTIONS. LOW VOLTAGE WIRING TO UNIT MAY BE NEC CLASS 2 AND MUST BE A MIN. OF 18 A.W.G. SET THERMOSTAT HEAT ANTICIPATOR TO .3 AMPS.
2. MAXIMUM ADDITIONAL EXTERNAL LOAD (PILOT DUTY) BETWEEN "B" AND "R" OF 0.5 AMPS. 24 VAC IS AVAILABLE IN THE COOLING MODE ONLY.
3. FOR 208 VOLT OPERATION MAKE THE FOLLOWING WIRING CHANGES:
 - A: AT TNS1, REMOVE 1A(RD) WIRE AND CONNECT TO 208V TERMINAL ON TRANSFORMER.
 - B: MOTOR WITH 230/208 LEADS:
 - AT IDM, MOVE 2B(BK) LEAD FROM BLACK 230V MOTOR LEAD TO WHITE 208V MOTOR LEAD.
 - *IMPORTANT: PLACE CAP REMOVED FROM WHITE MOTOR LEAD ONTO BLACK MOTOR LEAD.
 - MOTOR WITH 230/208 TERMINAL BLOCK:
 - AT IDM, MOVE 2B(BK) LEAD FROM 230V MOTOR TERMINAL TO 208V MOTOR TERMINAL.
4. IF ANY OF THE ORIGINAL WIRE AS SUPPLIED IN THIS UNIT MUST BE REPLACED, REPLACE IT WITH APPLIANCE WIRING MATERIAL RATED AT 105° C.
5. TO CHANGE SPEED TAPS: SWITCH LOCATION OF WIRE 11A(PR) ON "BLOWER LOAD" TERMINAL ON IGN BOARD WITH 15A(RD) WIRE ON "PARK" TERMINAL ON IGN BOARD.

WIRE	COLOR	DESIGNATION	ABBV	COLOR
BK	BLACK	PR	PURPLE	
BL	BLUE	RD	RED	
BR	BROWN	WH	WHITE	
GR	GREEN	YL	YELLOW	
OR	ORANGE	GY	GRAY	

DEVICE	DESCRIPTION	LINE
CC	COMPRESSOR CONTACTOR COIL	50
CF1	OUTDOOR FAN CAPACITOR	17
CN	CONNECTOR OR WIRE NUT	
CFM	COMBUSTION FAN MOTOR	27
CPR	COMPRESSOR	15
CR	COMPRESSOR RUN CAPACITOR	15
FD	FLAME DETECTOR	44
RO	ROLLOUT LIMIT	40
GV	GAS VALVE	35
IDM	INDOOR FAN MOTOR	24
IGN	IGNITION CONTROL MODULE	27, 40
IOL	INTERNAL OVERLOAD	
IP	IGNITOR PROBE	45
LED	IGN DIAGNOSTICS INDICATOR	40
ODM	OUTDOOR FAN MOTOR	20
PP	POLARIZED PLUG	36-44
PS	PRESSURE SWITCH	40
TCO	TEMPERATURE LIMIT SWITCH	40
TNS1	CONTROL POWER TRANSFORMER	32
FU	FUSE	42
HPCO	HIGH PRESSURE SWITCH	50
LPCO	LOW PRESSURE SWITCH	50

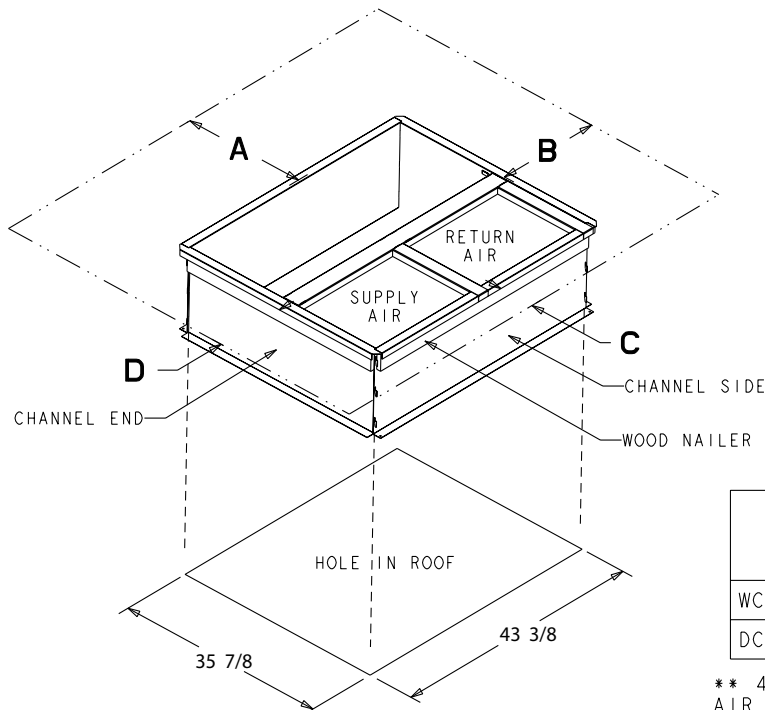
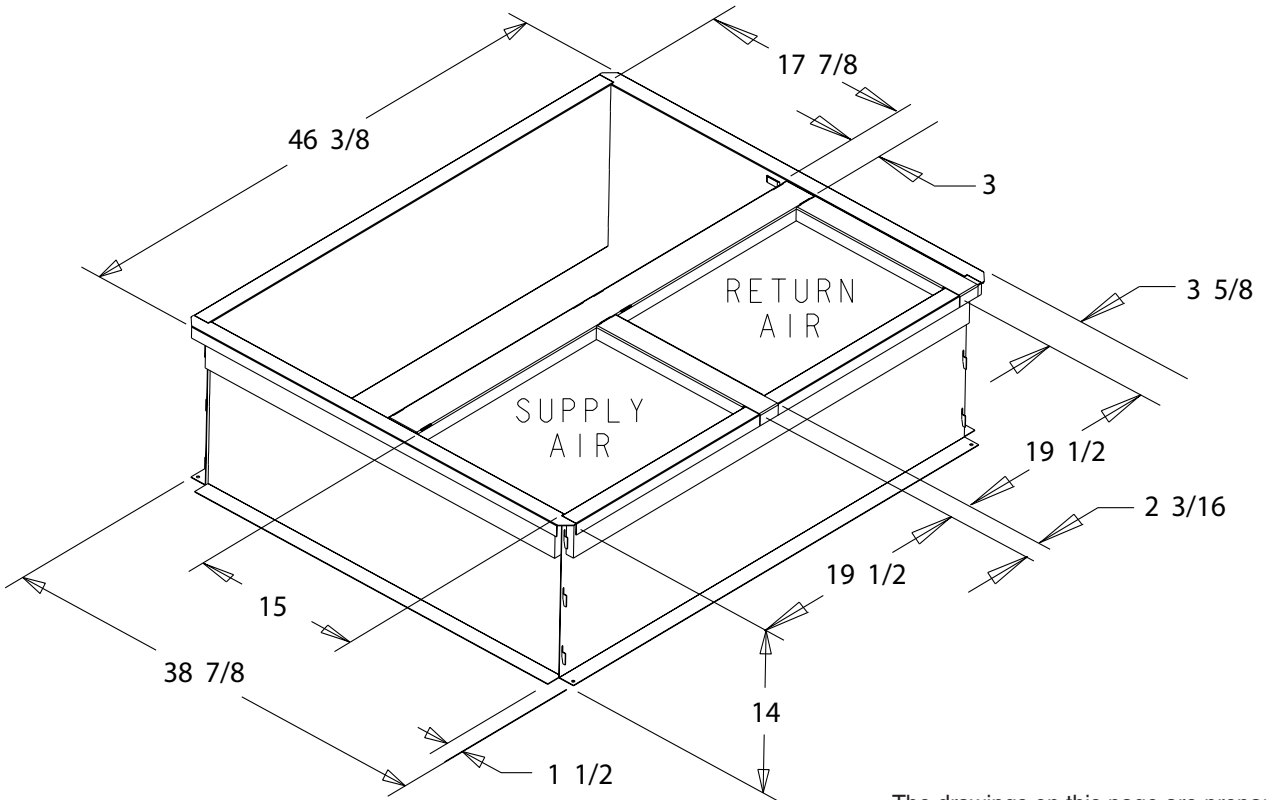
Typical Field Wiring

Models 4YCX3018-060 - See Service Facts for detailed wiring diagrams of the individual models



Optional Equipment

Baycurb050a Full Perimeter Roof Mounting Curb for 4YCX3018-036

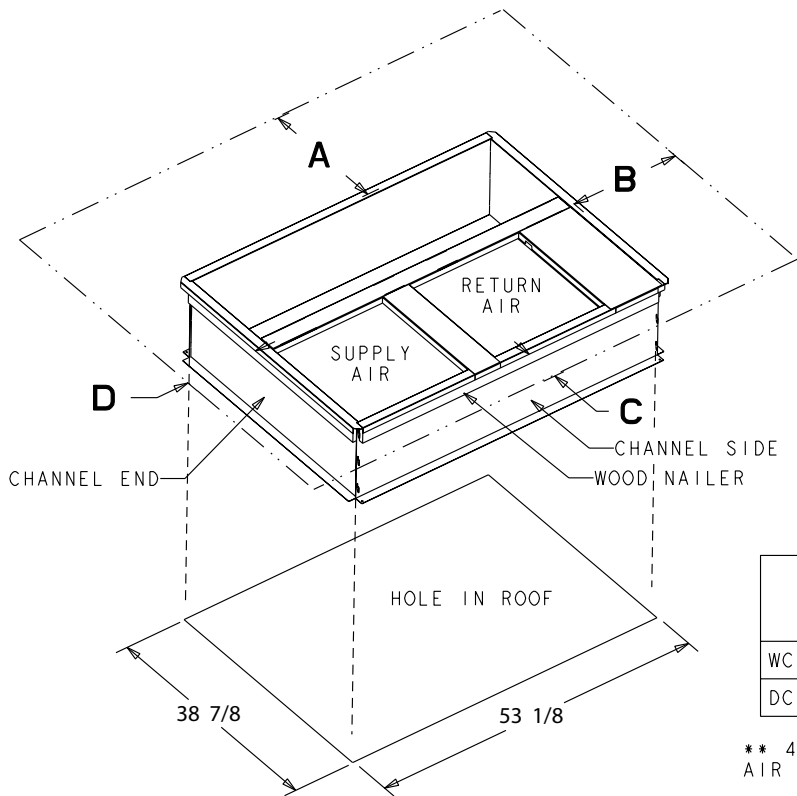
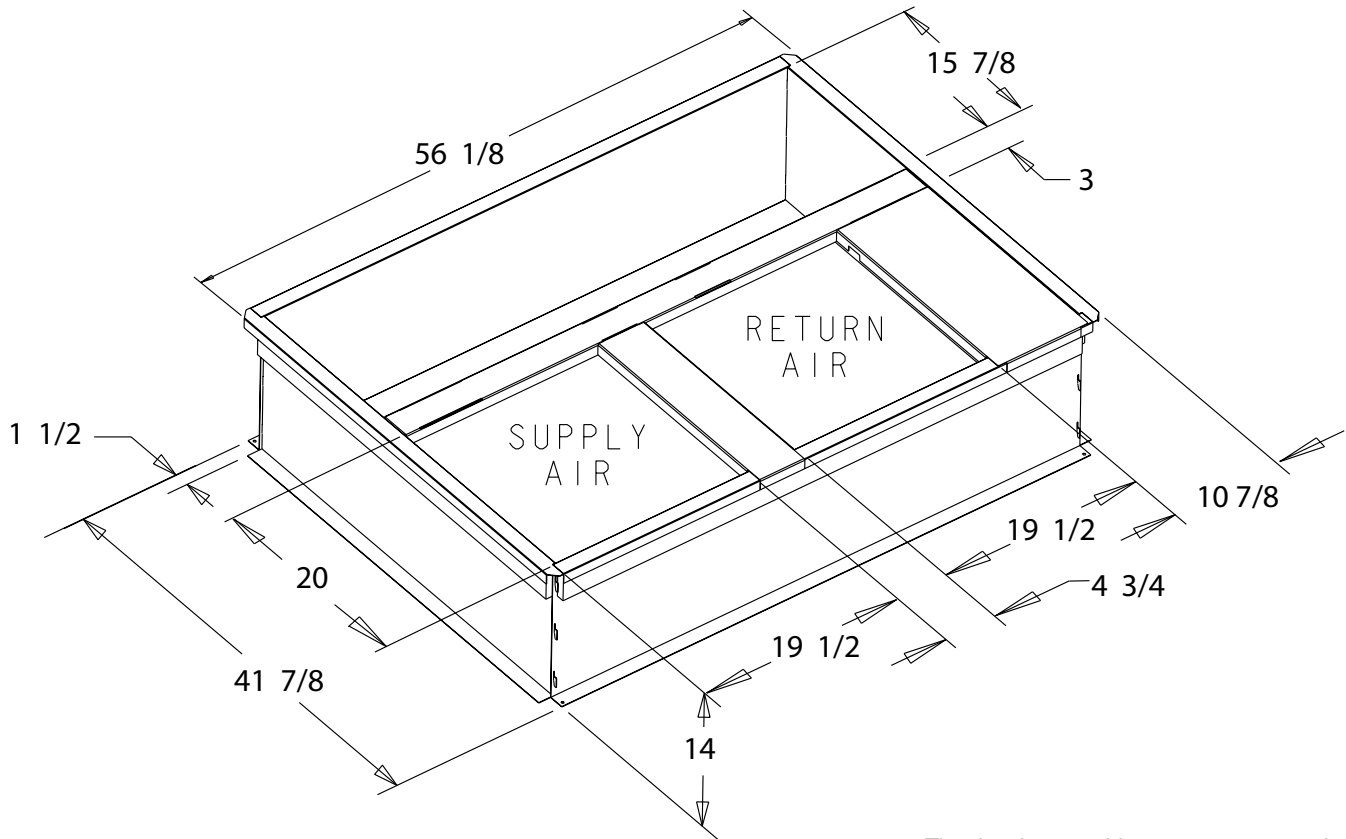


The drawings on this page are prepared by the manufacturer in order to provide detail regarding job layout only. These drawings are not intended to be used as a basis to construct, build or modify the items depicted in the drawings. The manufacturer is not responsible for the unauthorized use of these drawings and expressly disclaims any liability for damages resulting from such unauthorized use.

	SERVICE CLEARANCE DIMENSIONS			
	A	B	C	D
WC*/TC*	42.00	36.00	12.00**	24.00
DC*/YC*	42.00	36.00	12.00**	36.00

** 42.00 WITH ECONOMIZER WITH 25% FRESH AIR ACCESSORY

BAYCURB051A Full Perimeter Roof Mounting Curb for 4YCX3042-060

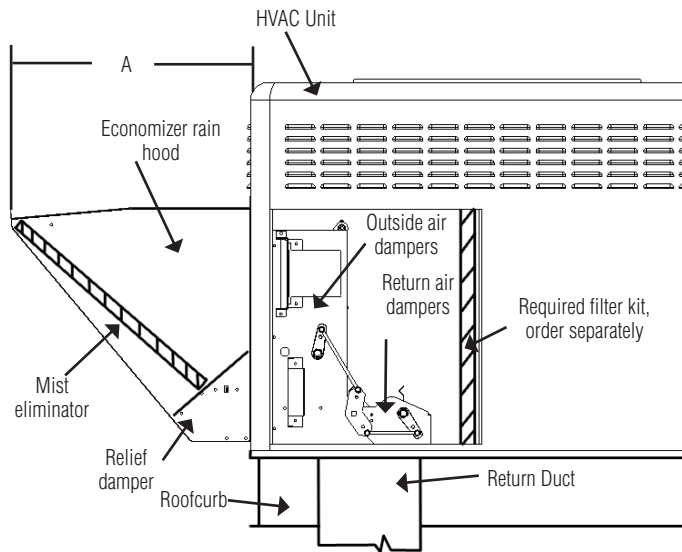


The drawings on this page are prepared by the manufacturer in order to provide detail regarding job layout only. These drawings are not intended to be used as a basis to construct, build or modify the items depicted in the drawings. The manufacturer is not responsible for the unauthorized use of these drawings and expressly disclaims any liability for damages resulting from such unauthorized use.

	SERVICE CLEARANCE DIMENSIONS			
	A	B	C	D
WC*/TC*	42.00	36.00	12.00**	24.00
DC*/YC*	42.00	36.00	12.00**	36.00

** 42.00 WITH ECONOMIZER WITH 25% FRESH AIR ACCESSORY

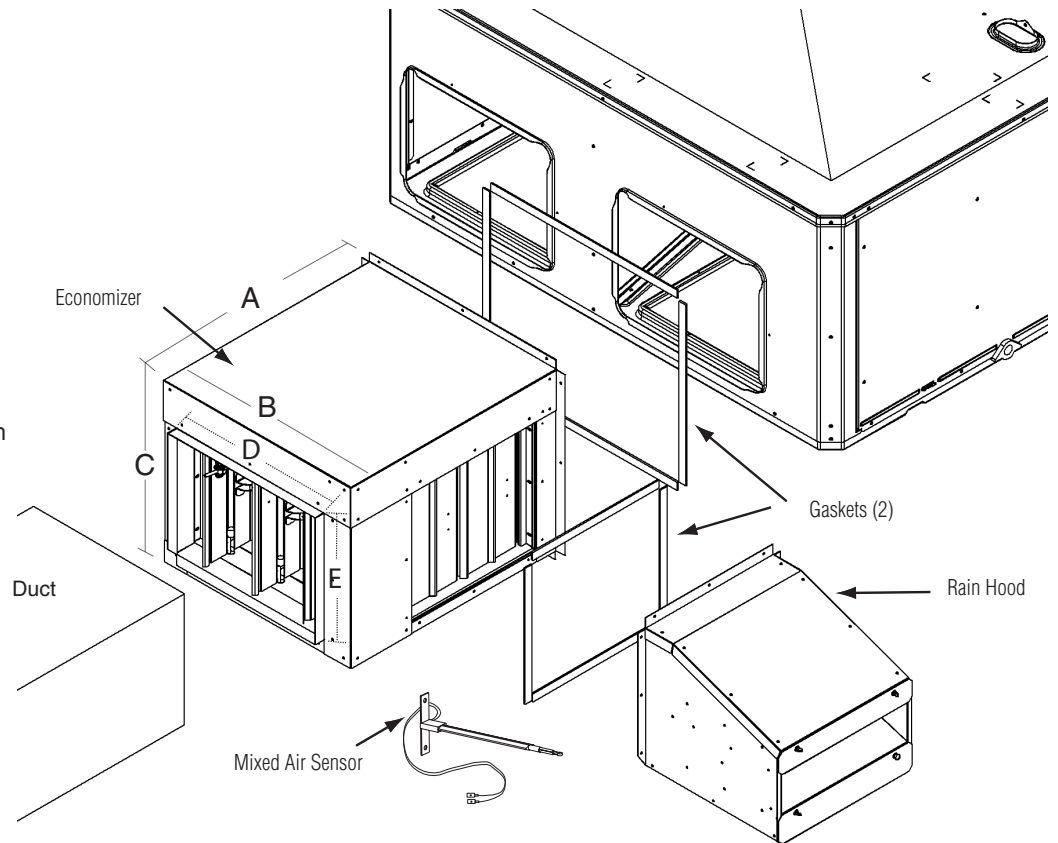
**BAYECON101,102A Down Discharge Economizer and Rain Hood
(Mounts Over Horizontal Return Air Opening)**



ECONOMIZER	UNIT APPLICATION MODELS	A
BAYECON101A	4TC*,WC*,YC*,DC* *018-036	20.125"
BAYECON102A	4TC*,WC*,YC*,DC* *042-060	24.375"

BAYECON200,201A Horizontal Economizer and Rain Hood

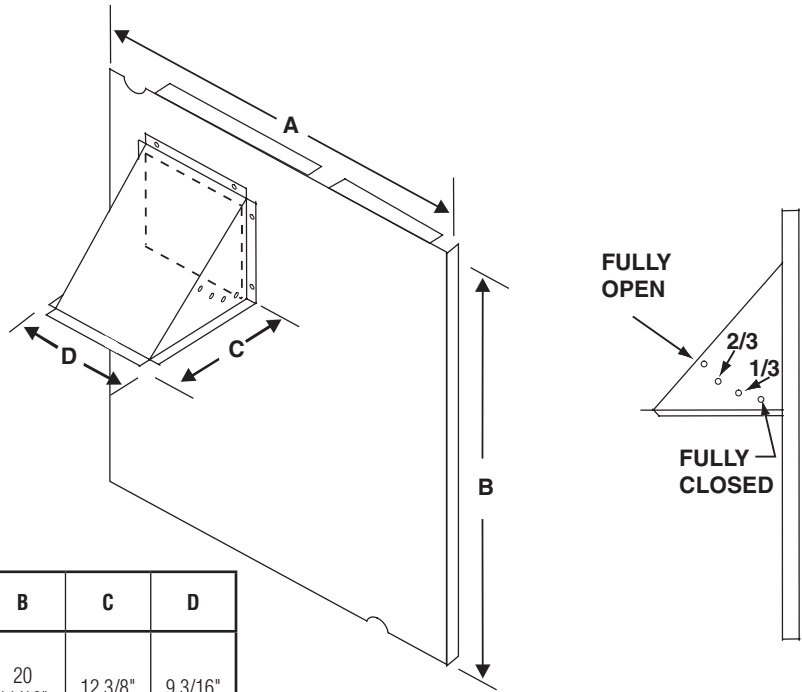
The drawings on this page are prepared by the manufacturer in order to provide detail regarding job layout only. These drawings are not intended to be used as a basis to construct, build or modify the items depicted in the drawings. The manufacturer is not responsible for the unauthorized use of these drawings and expressly disclaims any liability for damages resulting from such unauthorized use.



ECONOMIZER	A	B	C	D	E	F
BAYECON200AA	22"	20"	16-7/8"	15-11/16	11-11/16	15
BAYECON201AA	26"	22-21/32"	19"	17-11/16	14-11/16	21-3/8

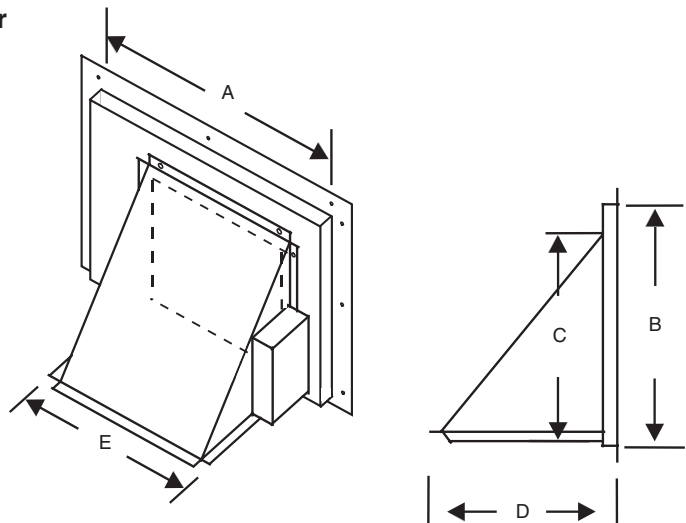
**BAYOSAH001,002A, 25% Outside Air Damper
(Replaces Filter/Coil Access Panel)**

The drawings on this page are prepared by the manufacturer in order to provide detail regarding job layout only. These drawings are not intended to be used as a basis to construct, build or modify the items depicted in the drawings. The manufacturer is not responsible for the unauthorized use of these drawings and expressly disclaims any liability for damages resulting from such unauthorized use.



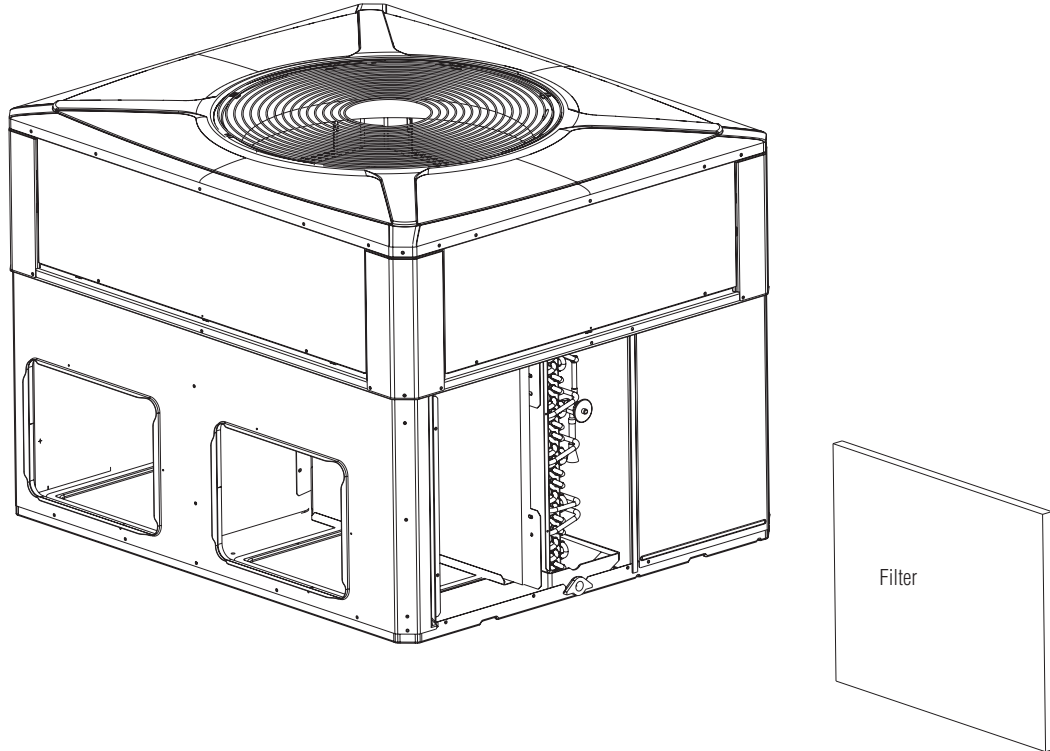
MANUAL FRESH AIR MODEL	UNIT APPLICATION MODELS	A	B	C	D
BAYOSAH001	4YC,WC3018-036 4TC*3018-036 4W/T/Y/DCY4024-036 4W/Y/DCZ6036	22 7/16"	20 11/16"	12 3/8"	9 3/16"
BAYOSAH002	4YC,WC3042-060 4TC*3042-060 4W/T/Y/DCY4042-060 4W/Y/DCZ6048-060	25 3/16"	20 11/16"	12 3/8"	9 3/16"

**BAYDMPR101,102A, 25% Motorized Outside Air Damper
(Mounts Over Horizontal Return Air Opening)**

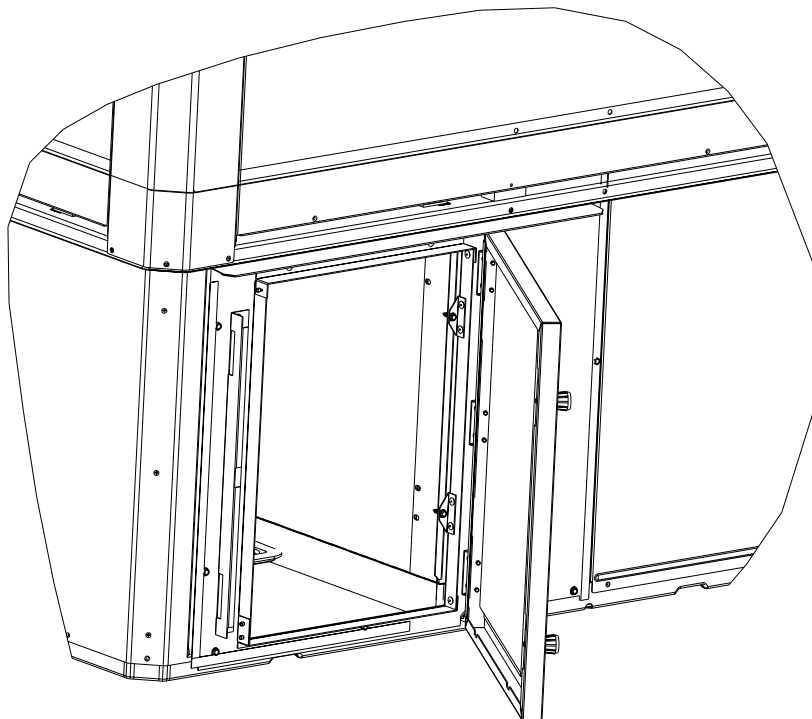


	UNIT APPLICATION MODELS	A	B	C	D	E
BAYDMPR101A	4YC,WC3018-036 4TC3018-036 4W/T/Y/DCY4024-036 4W/Y/DCZ6036	15 13/16"	11 13/16"	10 1/4"	11 1/2"	12 1/4"
BAYDMPR102A	4YC,WC3042-060 4TC3042-060 4W/T/Y/DCY4042-060 4W/Y/DCZ6048-060	18 3/16"	15 1/8"	10 1/4"	11 1/2"	12 1/4"

**BAYFLTR101, 201B, 1" - 2" Filter Rack
(Mounts in Filter/Coil Section)**



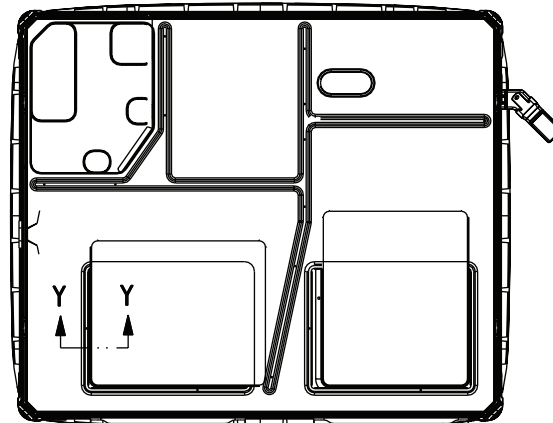
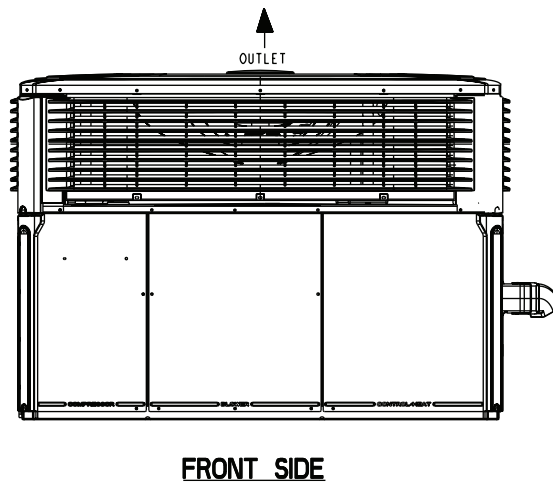
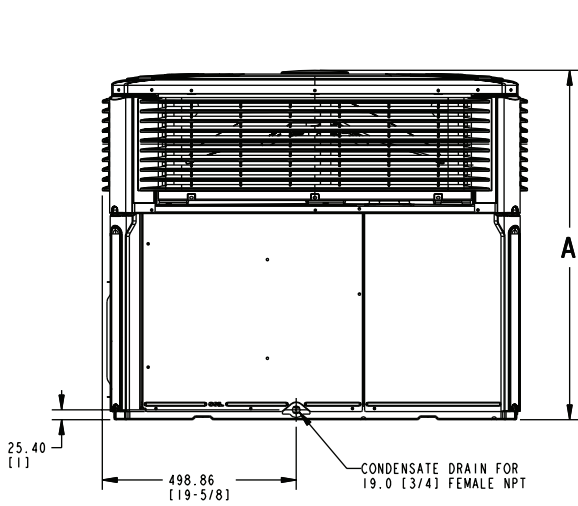
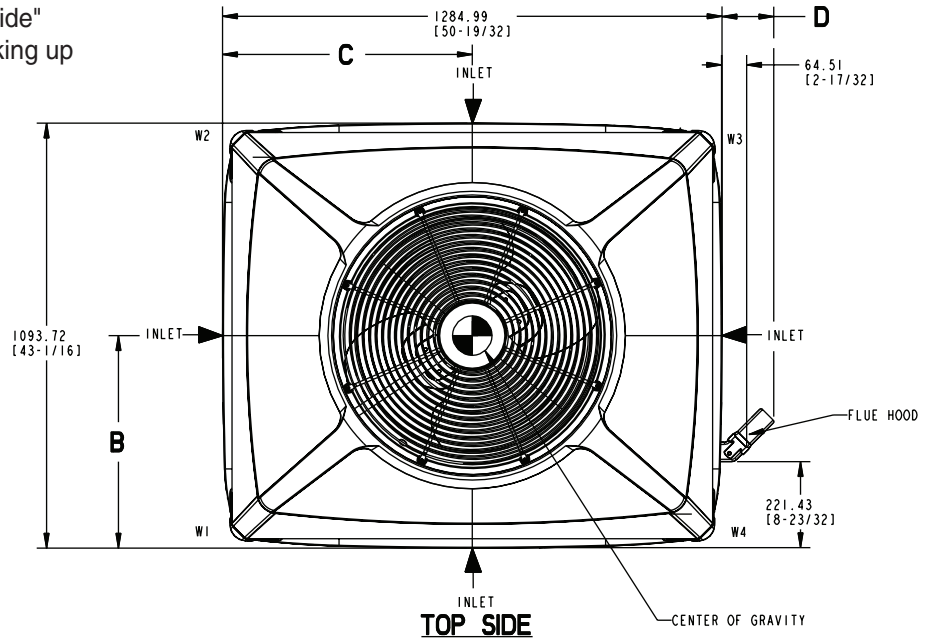
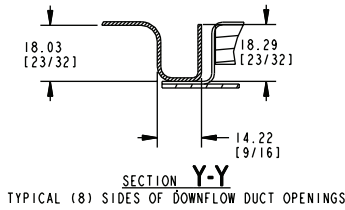
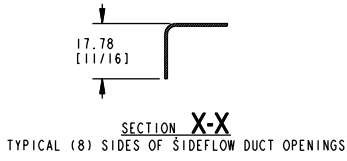
**BAYACCDOR1A & BAYACCDOR2A Hinged Filter Access Door
Replaces Filter/Coil Access Panel**



The drawings on this page are prepared by the manufacturer in order to provide detail regarding job layout only. These drawings are not intended to be used as a basis to construct, build or modify the items depicted in the drawings. The manufacturer is not responsible for the unauthorized use of these drawings and expressly disclaims any liability for damages resulting from such unauthorized use.

Dimensional Data and Weights

NOTE: The view labeled "Bottom Side" represents the base as viewed looking up from underneath the unit.

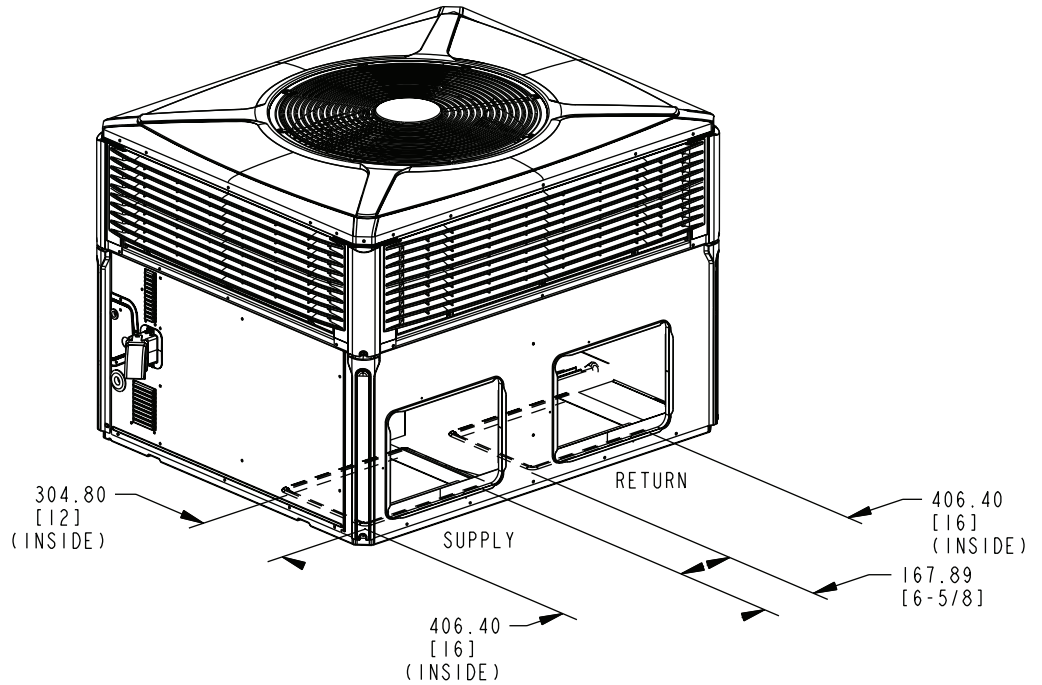


RECOMMENDED SERVICE CLEARANCE MM/IN.		
		WITH ECONOMIZER
BACK SIDE	304.8 [12]	762.0 [30]
LEFT SIDE	762.0 [30]	914.4 [36]
RIGHT SIDE	914.4 [36]	-
FRONT SIDE	1066.8 [42]	-

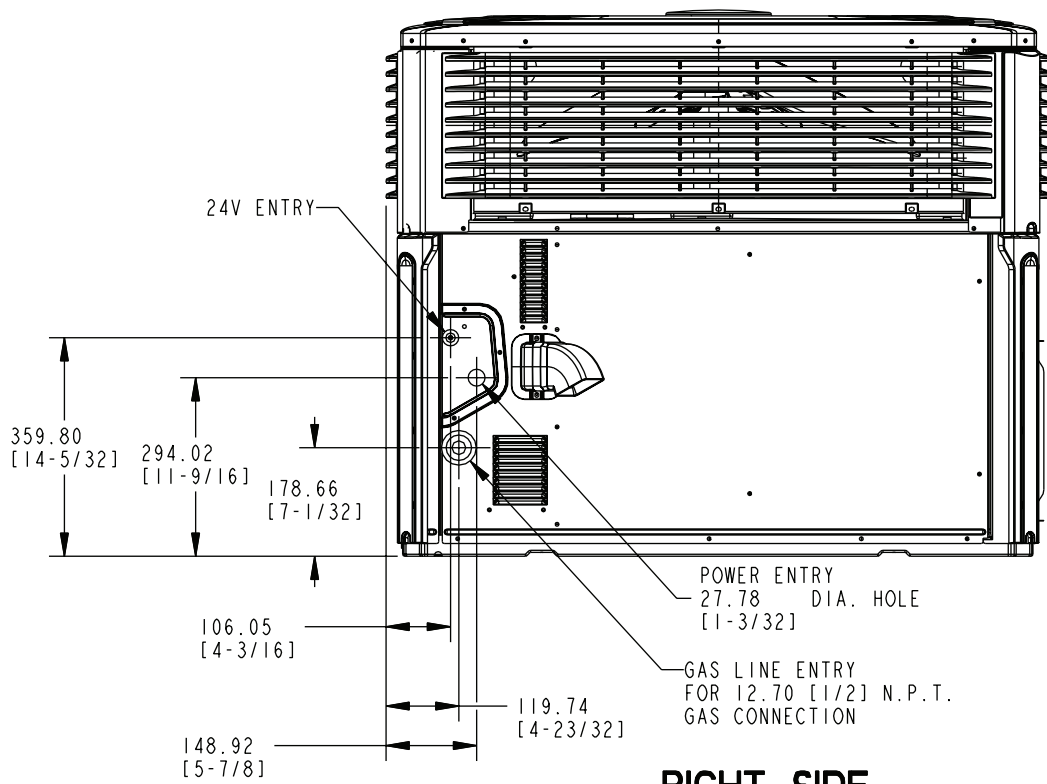
CLEARANCE TO COMBUSTIBLE MATERIAL MM/IN.	
BOTTOM	0
BACK SIDE	25.4 [1]
LEFT SIDE	152.4 [6]
RIGHT SIDE	304.8 [12]
FRONT SIDE	304.8 [12]
TOP	914.4 [36]

Figure 1. 4YCX3018 through 4YCX3036 (1 of 3)

Dimensional Data and Weights



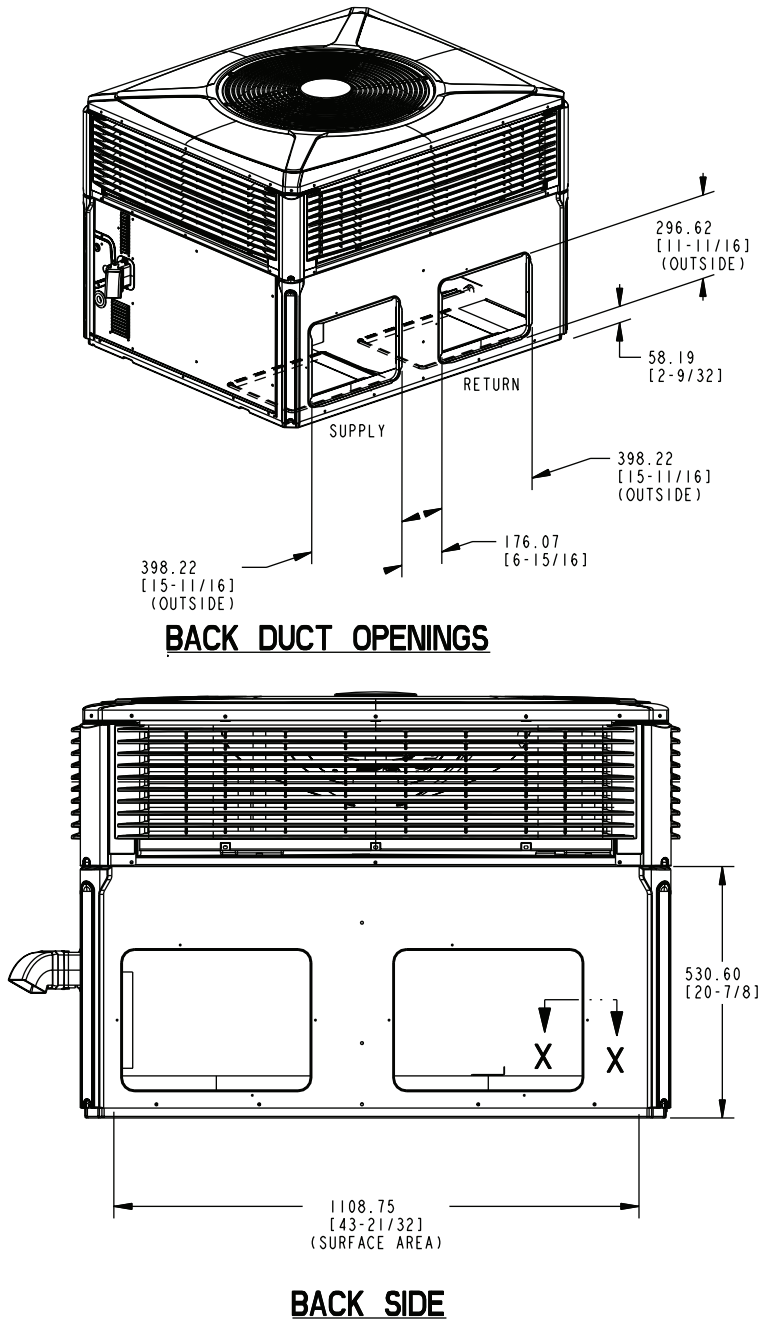
BOTTOM DUCT OPENINGS



RIGHT SIDE

Figure 2. 4YCX3018 through 4YCX3036 (2 of 3)

Dimensional Data and Weights

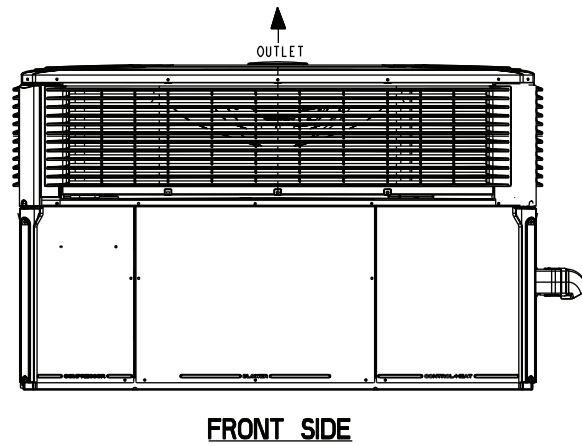
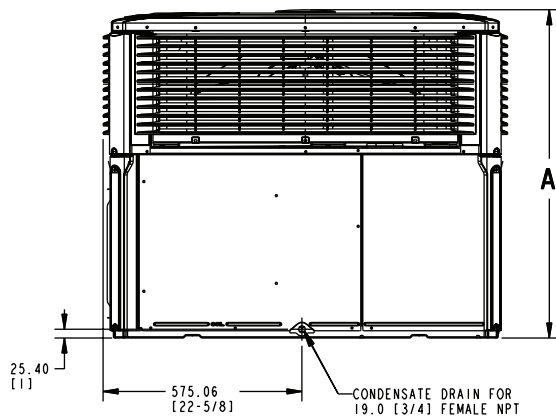
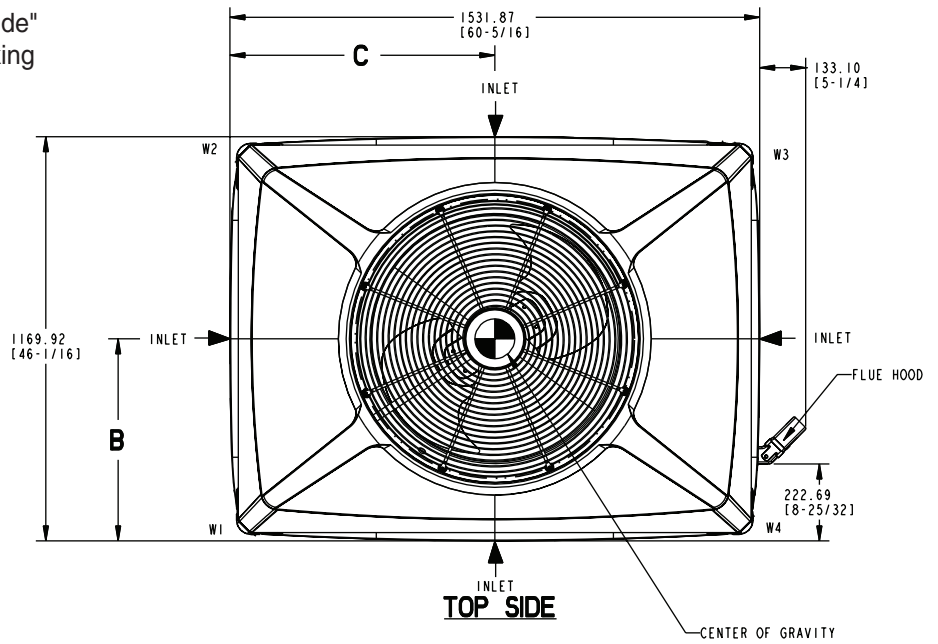
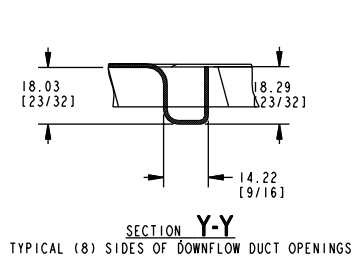
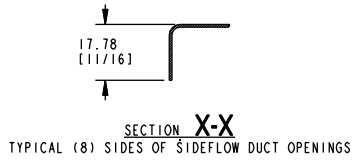


MODEL	HEIGHT MM/IN.	FLUE HOOD W/BRKT MM/IN.	APPROX. CORNER WEIGHT - KG/LBS				SHIPPING WEIGHT KG/LBS	TOTAL UNIT WEIGHT KG/LBS	CENTER OF GRAVITY MM/IN.	
	A		D	W1	W2	W3			W4	B
4YCX3018 (040)	903.29 [35-9/16]	134.94[5-5/16]	58.1 [128]	36.7 [81]	29.5 [65]	46.3 [102]	213.8 (471)	170.1 [375]	401.3 [15.8]	546.1 [21.5]
4YCX3024 (064)			59.0 [130]	37.2 [82]	31.3 [69]	48.5 [107]	218.4 (481)	174.8 [385]	401.3 [15.8]	546.1 [21.5]
4YCX3030 (075)			56.7 [125]	39.0[86]	28.6 [63]	54.4 [120]	222.3 (490)	178.7 [394]	401.3 [15.8]	546.1 [21.5]
4YCX3036 (064/075)			60.3 [133]	36.3 [80]	30.4 [67]	50.3 [111]	221.6 (488)	177.8 [392]	388.6 [15.3]	558.8 [22.0]
4YCX3036 (096)			61.2 [135]	36.7 [81]	30.8 [68]	51.3 [113]	223.8 (493)	180.1 [397]	388.6 [15.3]	558.8 [22.0]

Figure 3. 4YCX3018 through 4YCX3036 (3 of 3)

Dimensional Data and Weights

NOTE: The view labeled "Bottom Side" represents the base as viewed looking up from underneath the unit.



RECOMMENDED SERVICE CLEARANCE MM/IN.		
		WITH O.A. DAMPER/ECON.
BACK SIDE	304.8 [12]	762.0 [30]
LEFT SIDE	914.4 [36]	1066.8 [42]
RIGHT SIDE	914.4 [36]	-
FRONT SIDE	1066.8 [42]	-

CLEARANCE TO COMBUSTIBLE MATERIAL MM/IN.	
BOTTOM	0
BACK SIDE	25.4 [1]
LEFT SIDE	152.4 [6]
RIGHT SIDE	304.8 [12]
FRONT SIDE	304.8 [12]
TOP	914.4 [36]

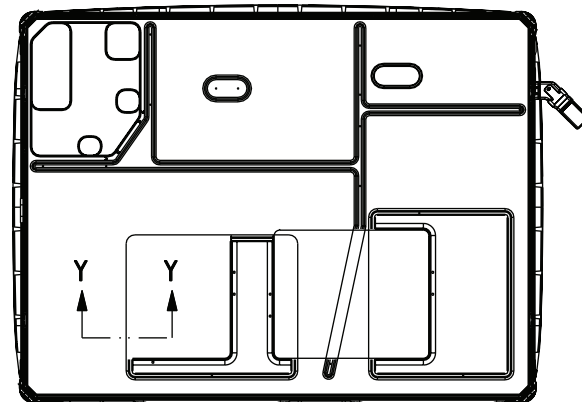
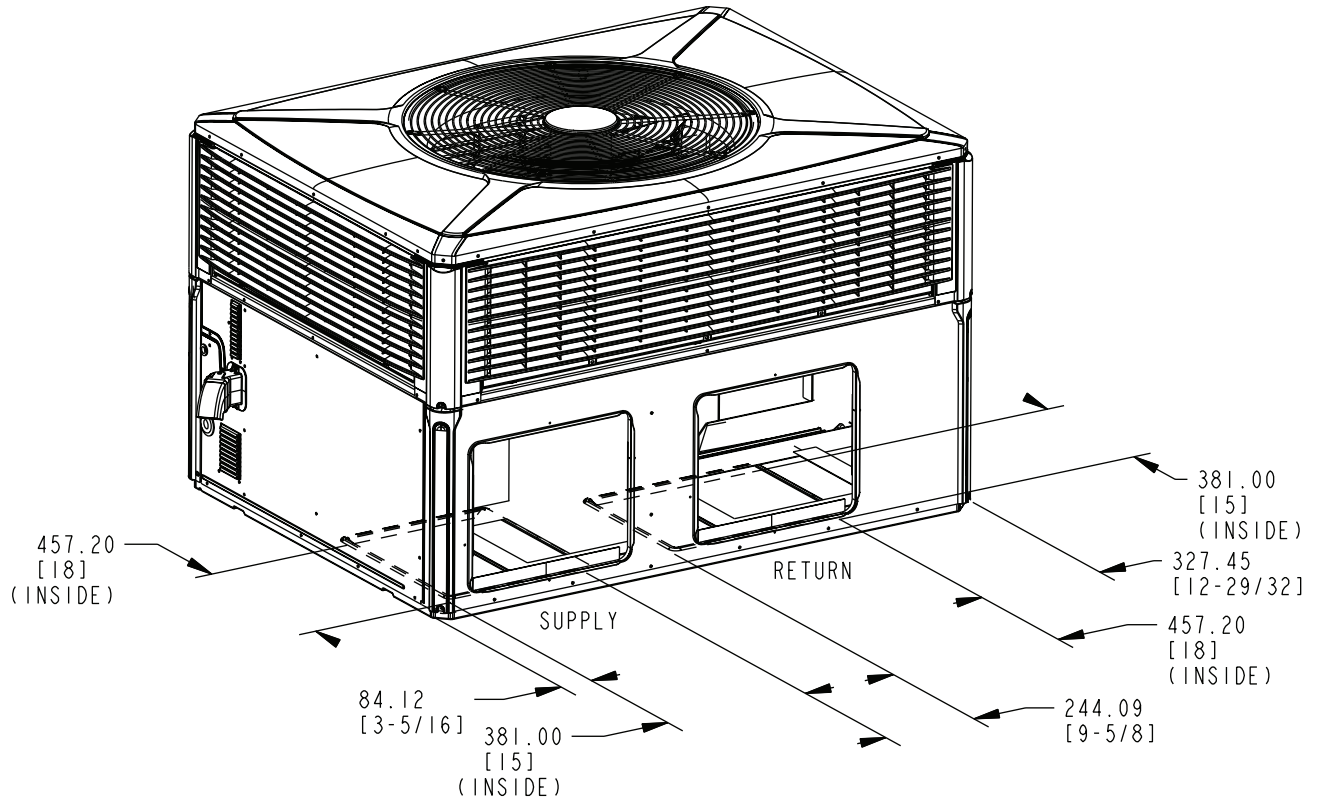
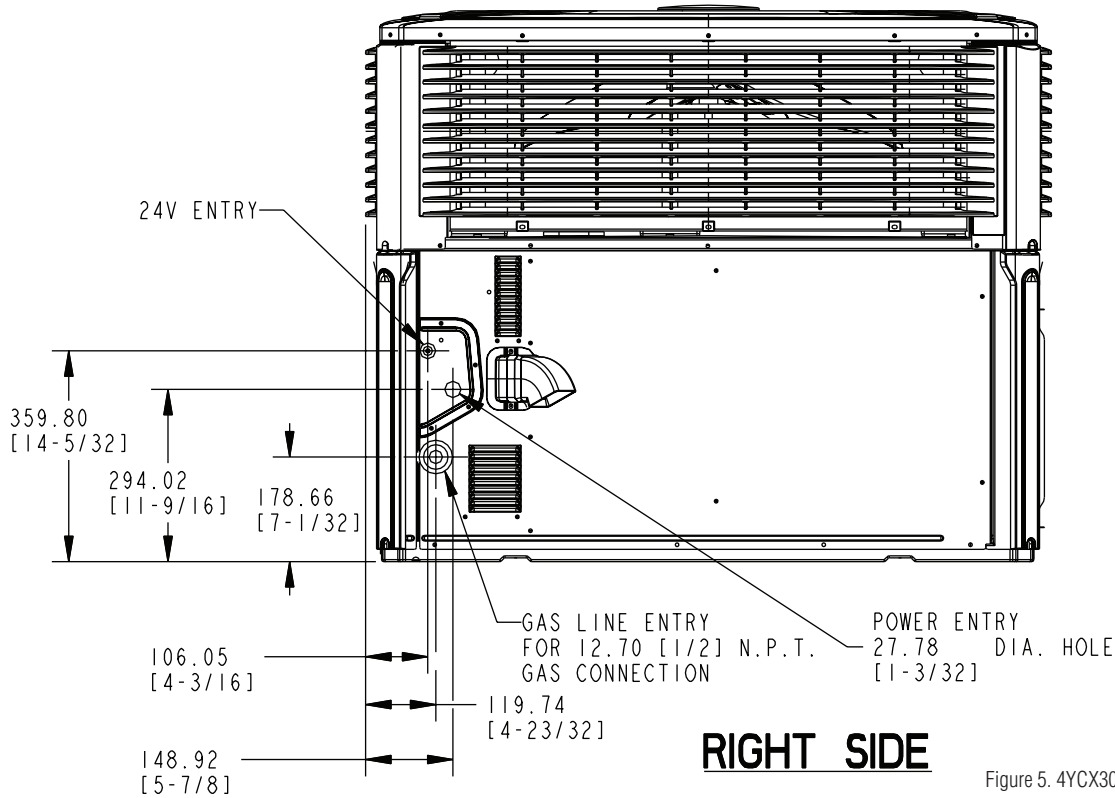


Figure 4. YCX3042 through YCX3060 (1 of 3)

Dimensional Data and Weights



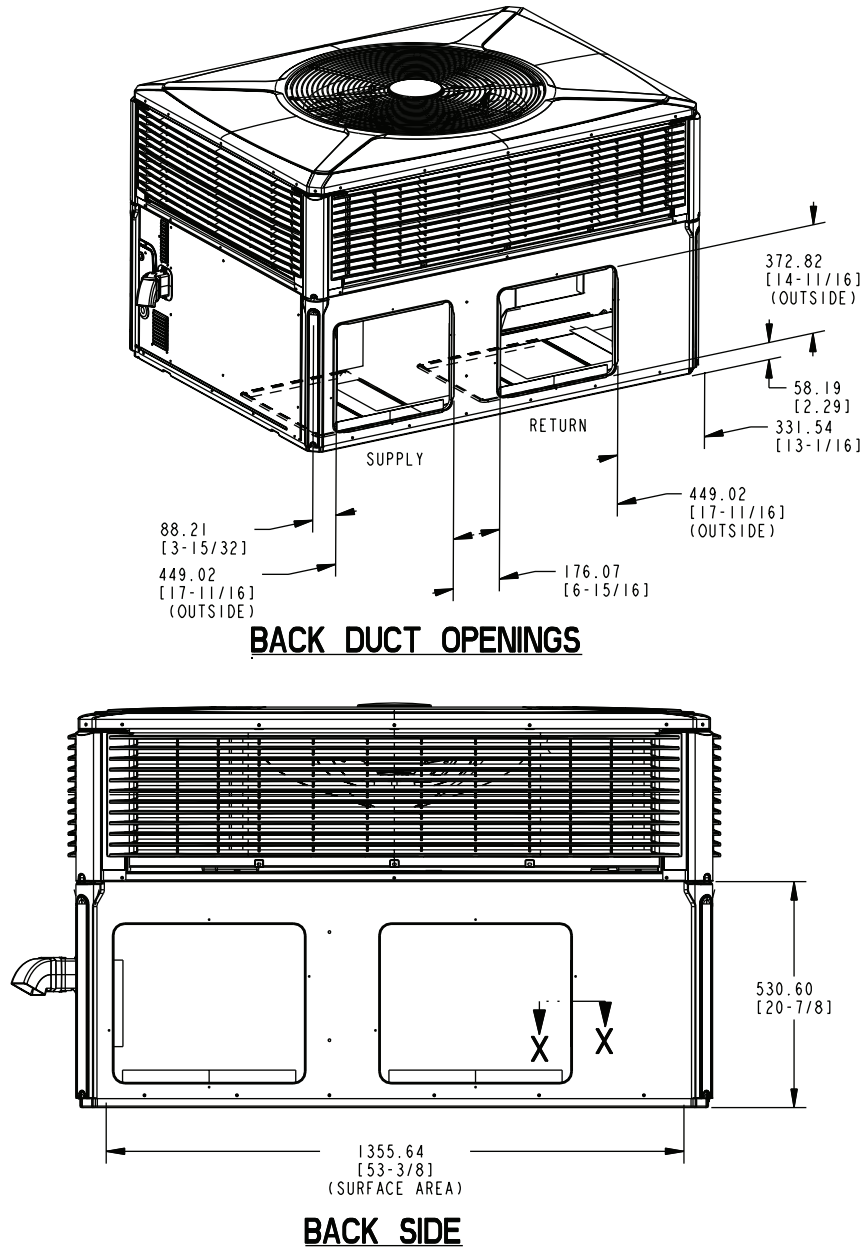
BOTTOM DUCT OPENINGS



RIGHT SIDE

Figure 5. 4YCX3042 through 4YCX3060 (2 of 3)

Dimensional Data and Weights



MODEL	HEIGHT MM/IN.	APPROX. CORNER WEIGHT - KG/LBS				SHIPPING WEIGHT KG/LBS	TOTAL UNIT WEIGHT KG/LBS	CENTER OF GRAVITY MM/IN.	
	A	W1	W2	W3	W4			B	C
4YCX3042 (096)	940.33 [37-3/8]	83.5 [184]	42.2 [93]	50.8 [112]	57.2 [126]	291.9 [643]	233.8 [515]	444.5 [17.5]	698.5 [27.5]
4YCX3048 (075)		73.9 [163]	49.4 [109]	44.5 [98]	66.7 [147]	292.8 (645)	234.5 [517]	444.5 [17.5]	698.5 [27.5]
4YCX3048 (096)		75.3 [166]	50.3 [111]	45.4 [100]	67.6 [149]	296.5 (653)	238.1 [525]	444.5 [17.5]	698.5 [27.5]
4YCX3048 (120)		75.7 [167]	50.8 [112]	45.8 [101]	68.5 [151]	299.2 (659)	240.9 [531]	444.5 [17.5]	698.5 [27.5]
4YCX3060A1/A3 (096)	1000.13 [39-3/8]	81.2 [179]	45.8 [101]	42.6 [94]	75.7 [167]	307.8 (678)	249.7 [550]	401.3 [15.8]	711.2 [28.0]
4YCX3060A1/A3 (120)		82.1 [181]	46.3 [102]	43.1 [95]	76.7 [169]	310.5 (684)	252.4 [556]	401.3 [15.8]	711.2 [28.0]
4YCX3060A4 (096)		82.6 [182]	46.7 [103]	43.5 [96]	77.1 [170]	307.8 (678)	249.5 [550]	401.3 [15.8]	711.2 [28.0]
4YCX3060A4 (120)		83.5 [184]	47.2 [104]	44.0 [97]	77.6 [171]	310.5 (684)	252.2 [556]	401.3 [15.8]	711.2 [28.0]

Figure 5. 4YCX3042 through 4YCX3060 (3 of 3)

Mechanical Specifications

General

All units shall be factory assembled, piped, internally wired and fully charged with refrigerant. All units shall be designed to operate at outdoor ambient temperatures as high as 115°F. Cooling capacities shall be rated in accordance with AHRI standards. The YC heating/cooling unit design is certified to ANSI 221.47/CSA 2.3, specifically for outdoor applications using natural gas or propane. All units shall be designed for outdoor rooftop or ground level installation. Unit casing is constructed of heavy gauge, galvanized steel and painted with a weather-resistant powder paint.

Shipped for horizontal application, convertible to downflow.

Casings

All panels shall be heavy gauge steel, gasketed and insulated. Foil-faced fiber insulation shall be in the heat exchanger section. Foil-faced insulation shall be in the evaporator section. Base pan shall be heavy gauge steel. **WEATHERGUARD™** exterior corrosion resistant screws shall be used for added resistance to rust and corrosion.

Controls

Refrigeration cycle controls shall include condenser fan, evaporator fan and compressor contactors. Compressors shall be equipped with a combination internal winding thermostat/current overload. Internal high pressure relief shall also be provided.

Refrigeration System

Compressors —

The Climatuff® compressor features internal over temperature and pressure protector, total dipped hermetic motor. Other features include: centrifugal oil pump, and low vibration and noise.

Evaporator Coil — Internally enhanced 3/8-inch OD seamless copper tubing mechanically bonded to aluminum fins, factory pressure and leak tested at 250 to 300 psig. All units have TXV to control refrigeration flow.

Condenser Coil —

The Spine Fin™ condenser coil shall be continuously wrapped, corrosion resistant all aluminum with minimum brazed joints. This coil is 3/8 inch O.D. seamless aluminum tubing glued to a continuous aluminum fin. Coils are lab tested to withstand 2,000 pounds of pressure per square inch. The outdoor coil provides low airflow resistance and efficient heat transfer. The coil is protected on all four sides by louvered panels.

Indoor Air Fan — Direct-drive, forward-curved, centrifugal wheel in a Composite Vortica® Blower housing. Motor shall have thermal overload protection. Permanently lubricated motor bearings. Motor/blower assembly isolated from unit with rubber mounts.

Condenser Fan — Direct-drive, draw thru propeller type. Weather-proofed permanent split capacitor fan motor shall have built-in thermal overload and permanently lubricated motor bearings.

Low Ambient — Standard refrigerant system operation down to 55°F. Low ambient accessory required for operation to 0°F ambient condition.

Heating System

Gas-Fired Heating Section — Models shall provide completely assembled, wired and piped gas fired heating systems within unit. Design certified by UL, specifically for outdoor application. Threaded gas connection on the unit.

Electronic Ignition System — Main burner is lit each time thermostat calls for heat. Flame sensor proves flame and keeps the main burners on. Should a loss of flame occur, the main valve closes and the spark recurs within 0.8 second. When thermostat is satisfied, main burner is extinguished.

Forced Combustion Blower — Insures flame stability under varying wind conditions. Gives higher combustion efficiency and location flexibility.

Heat Exchanger — stainless steel tubes. Free floating design.

Burners — stainless steel. Multi-port inshot.

Downflow Accessories (U.S. Domestic Models)

Roof Curb — The roof curb shall be designed to mate with the unit and provide support and complete weather-tight installation when properly installed. Curb shall ship knocked down for field assembly, and include wood nailer strips.

Economizer

Modulating Economizer — This accessory shall be field installed and be composed of the following items: 0-100% fresh air damper, damper drive motor fixed dry bulb enthalpy control, and low voltage polarized plug for electrical connections. Solid state enthalpy or differential enthalpy control is optional. Economizer operations shall be controlled by the preset position of the enthalpy control. A barometric relief damper shall be standard with the economizer and provide a pressure operated damper that shall be gravity closing and prohibit entrance of outside air on equipment "off" cycle.

Manual Fresh Air Hood

Manual outside air provides a fixed outside air quantity from 0 to 25 percent. Includes hood and birdscreen.

Low Ambient Control

Control allows cycling of compressor under low ambient cooling conditions. Required for cooling operation to 0°F.

Propane Gas

Conversion Kit — For conversion from natural gas to LP gas.



6200 Troup Highway - Tyler, TX 75707
www.trane.com



The Manufacturer has a policy of continuous product and product data improvement and reserves the right to change design and specifications without notice.