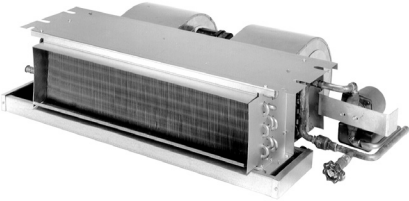


NEW MODELS
ADDED (20, 26, 32)



CDXQ(-C) Series
Horizontal Recessed
Ceiling Fan Coil
1-1/2 - 3 Tons Cooling
Up to 49,300 BTUH HW Heat

NEW OPTION:
MERV 8 FILTER PANELS



CDXQ Fan Coil
(without enclosure)



Optional Access Panel
(non-louvered shown)

The space-saving **CDXQ** series fan coil is only 10" high (11" with enclosure), thus allowing it to recess in a ceiling. Recessed ceiling fan coils save valuable floor space and eliminate costly "equipment" closets.

The **CDXQ** fan coil has a factory installed circulating pump with easy access hot water check valve. Piping the **CDXQ** fan coil to a properly sized gas-fired water heater provides space heating. Contact the factory for assistance with sizing.

(1) First Co's customer is ultimately responsible for confirming which fan coil models are compatible with selected outdoor unit(s) and which expansion valves are required. To determine certified indoor/outdoor matches, go to www.firstco.com or contact the factory.

All **CDXQ** fan coils include a 120/24V transformer and are completely prewired. A sloped drain pan allows positive drainage of condensate.

(-C) model: for **CDXQ** fan coils installed within an enclosure, add **"-C"** after **CDXQ**. For instance, ordering model **19CDXQ-C** will include a **CDXQ** fan coil factory installed in a # **9ECDX01** enclosure and your choice of either a solid or louvered panel.

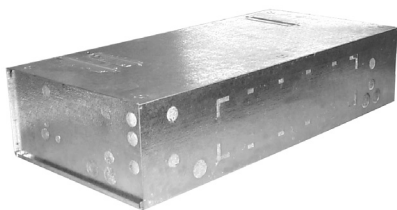
Note: State of MA, .248 CMR code of the state of MA requires a pump timer. (60 seconds every 6 hours) (Field Installed)

Standard Features:

- **Factory installed service switch**
- **Freeze protector on HW coil**
- Two speed fan operation
- Single point power connection
- HW coil with installed pump, check valve, and air purge valve
- Drain pan has 3/4" NPT primary and secondary (overflow) fittings
- 120V motor, 24V controls
- Highly efficient copper tube/aluminum fin heating and cooling coils. Cooling coil has a piston-type metering device or factory or field installed R410A TXV's (non-bleed type). Contact factory for correct match with outdoor unit.
- Insulated and coated galvanized steel drain pan is sloped for proper drainage
- Effective January 2016, Cabinet air leakage is no more than 2% when tested in accordance with ASHRAE 193.

Optional Accessories:

- Attractive off-white return air / access panel with captive screws (panels can be field painted)
- **IAQ filter panels** (see P. 3)
- Fully insulated enclosure with matching ceiling panel (enclosure can be pre-installed). Also allows for ducted return air.
- Factory or field installed TXV's (non-bleed type)
- Condensate overflow switch (field installed) (# **SS3**)
- Pump timer (# **941-2**) (see P. 3)



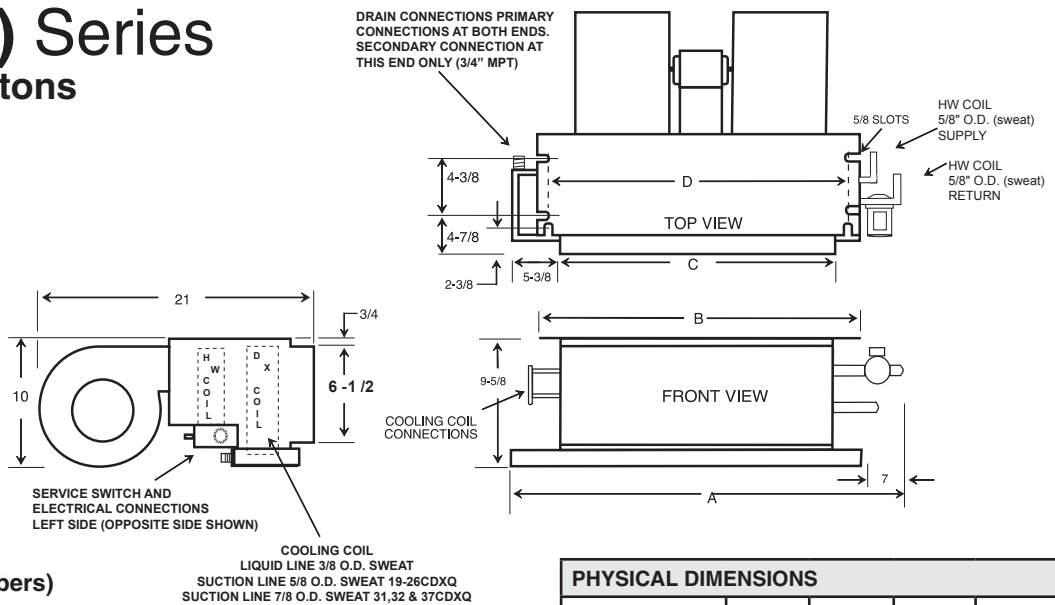
Optional Insulated Enclosure



Matching Access Panel for Enclosure
(non-louvered shown)

CDXQ(-C) Series

1-1/2 through 3 tons



(See P. 4 for Model Numbers)

BLOWER DATA								
UNIT MODEL	CFM vs. EXTERNAL STATIC PRESSURE (3)							
	0.05	0.10	0.15	0.20	0.25	0.30	0.35	0.40
19/20CDXQ	710	680	650	620	590	560	530	500
24CDXQ	860	840	825	810	785	740	700	660
25/26CDXQ	880	840	800	760	720	680	640	600
31CDXQ	1100	1060	1020	980	930	880	830	780
32CDXQ	1160	1130	1095	1060	1025	990	950	910
37CDXQ	1310	1260	1210	1160	1110	1060	1000	940

PHYSICAL DIMENSIONS				
UNIT MODEL	A	B	C	D
19CDXQ	45-1/8	37-1/4	30-1/8	34-3/4
20-25CDXQ	51-1/8	43-1/4	36-1/8	40-3/4
26/31CDXQ	57-1/8	49-1/4	42-1/8	46-3/4
32/37CDXQ	64-1/8	56-1/4	49-1/8	53-3/4

- (1) Units should not be applied to a system with less than 350 CFM/Ton airflow.
- (2) Motors are 120V and operate on high speed for cool and low speed for heating.
- (3) CFM vs. static at motor cooling speed.
- (4) Add .05 static when enclosure and/or ceiling panel are used.
- (5) 31, 32 and 37CDXQ have two motors and four blowers.



PERFORMANCE DATA							
UNIT MODEL	NOMINAL COOLING BTUH	HEATING GPM	PRESS. DROP (FT. WTR)	BTUH (1000) AT ENTERING WATER TEMPERATURE			
				120°F	130°F	140°F	180°F
19CDXQ	18,000	3	3.3	12.9	15.4	18.0	28.3
20CDXQ	18,000	3	4.1	13.7	16.5	19.2	30.2
24/25CDXQ	24,000	3	4.1	15.9	19.0	22.2	34.9
26CDXQ	24,000	3	4.3	17.0	20.4	23.8	37.4
31CDXQ	30,000	3	4.3	18.8	22.5	26.3	41.3
32CDXQ	30,000	3	5.4	20.1	24.2	28.2	44.3
37CDXQ	36,000	3	5.4	21.7	26.1	30.4	47.8

In keeping with its policy of continuous progress and product improvement, First Co. reserves the right to make changes without notice. Maintenance for all First Co. products is available under "Product Maintenance" at www.firstco.com.

NOTES:

1. Heat BTUH is at 70 degree EAT.
2. 120 degree and 180 degree data is supplied for boiler applications.
3. Heating BTUH output will not exceed output of water heater.
4. Approved for installation with 0" clearance to combustible material.



ELECTRICAL DATA					
UNIT MODEL	MOTOR HP (120V)	AMPS (120V)		MIN. CIR AMPACITY	MAX CIR PROTECTION
		MOTOR	PUMP		
19/20CDXQ	1/5	2.3	0.57	4	15
24CDXQ	1/5	3.0	0.57	5	15
25/26CDXQ	1/4	3.6	0.57	6	15
31CDXQ	1/5	4.6	0.57	7	15
32CDXQ	1/5	4.6	0.57	7	15
37CDXQ	1/5	4.6	0.57	7	15

EXPANSION VALVE KITS (Heat Pump or cooling only) (FIELD INSTALLED)		
PART NO.	TYPE	FOR
9EVR410-1	R410A	19 - 37CDXQ (-C) (1-1/2 - 3 TON)

NOTES:

1. Above expansion valve kits are approved for both cooling only (non heat pump) or heat pump applications.
2. Valves are non-bleed type. Field added. Hard start kit may be required.
3. Valves have screw-on connections.

Ceiling Access Panels - (For CDXQ's installed without enclosure)

CEILING ACCESS PANELS							
FOR MODEL	PANEL NO. (STD.)	PANEL NO. (IAQ)	DESCRIPTION	CEILING PANEL OPENING		PANEL FRAME DIMS (OUTSIDE)	
19CDXQ	966	966-M8	LOUVERED	24-1/2	46	27-1/2	49
	966-1	NA	NON-LOUVERED	24-1/2	46	27-1/2	49
20-25CDXQ	967	967-M8	LOUVERED	24-1/2	52-1/2	27-1/2	55-1/2
	967-1	NA	NON-LOUVERED	24-1/2	52-1/2	27-1/2	55-1/2
26/31CDXQ	967-6	967-6-M8	LOUVERED	24-1/2	60	27-1/2	63
	967-7	NA	NON-LOUVERED	24-1/2	60	27-1/2	63
32/37CDXQ	967-8	967-8-M8	LOUVERED	24-1/2	67	27-1/2	70
	967-5	NA	NON-LOUVERED	24-1/2	67	27-1/2	70

STANDARD PANELS



965-1, 966-1, 967-1, 967-7



965, 966, 967, 967-6
(Louvers may differ from picture)
Louvered panels accept 20x20x1" filter
(field supplied)

IAQ PANELS



966-M8, 967-M8 (accepts 2-20x20x1 filter)
967-6-M8 (accepts 2-20x25x1 filter)
967-8-M8 (accepts 2-20x30x1 filter)
(GlasFloss © Industries Series
HV filter or equivalent is recommended)

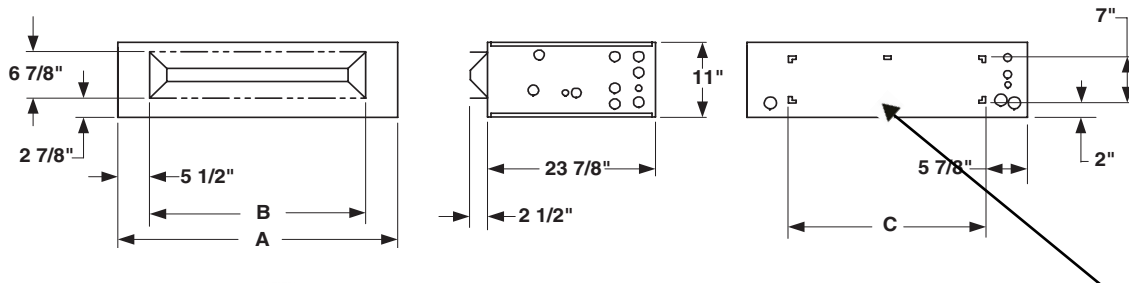
Enclosures with Matching Ceiling Panels (Enclosures and panels are included as standard with ALL "-C" models or can be ordered separately for CDXQ models)

ENCLOSURE DIMENSIONS					PANEL NO (STD.)	PANEL NO (IAQ)	DESCRIPTION	CEILING PANEL OPENING		PANEL FRAME DIMS (OUTSIDE)	
FOR MODEL	ENCLOSURE	A	B	C				W	L	W	L
19CDXQ	9ECDX01 (1)	45-3/4	30-7/8	34	966	966-M8	LOUVERED	24-1/2	46	27-1/2	49
					966-1	NA	NON-LOUVERED	24-1/2	46	27-1/2	49
20-25CDXQ	9ECDX02 (1)	51-3/4	36-7/8	40	967	967-M8	LOUVERED	24-1/2	52-1/2	27-1/2	55-1/2
					967-1	NA	NON-LOUVERED	24-1/2	52-1/2	27-1/2	55-1/2
26/31CDXQ	9ECDX03 (1)	58-1/2	42-7/8	46-3/4	967-6	967-6-M8	LOUVERED	24-1/2	60	27-1/2	63
					967-7	NA	NON-LOUVERED	24-1/2	60	27-1/2	63
32/37CDXQ	9ECDX04 (1)	66-1/2	49-7/8	54-3/4	967-8	967-8-M8	LOUVERED	24-1/2	67	27-1/2	70
					967-5	NA	NON-LOUVERED	24-1/2	67	27-1/2	70

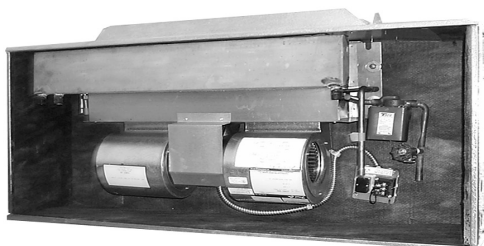
(See Panel Pictures Above)

NOTES:

(1) Louvered is the "default" style and automatically shipped unless non-louvered is specified on order.



KNOCKOUT FOR DUCTED RETURN
(Ducted return requires remote filter grille
(field supplied) and non-louvered panel)



Picture shown is a "-C" model with installed CDXQ
(Available from the factory as a complete unit)

CDXQ(-C) Series

1-1/2 through 3 tons

MODEL NUMBERS:

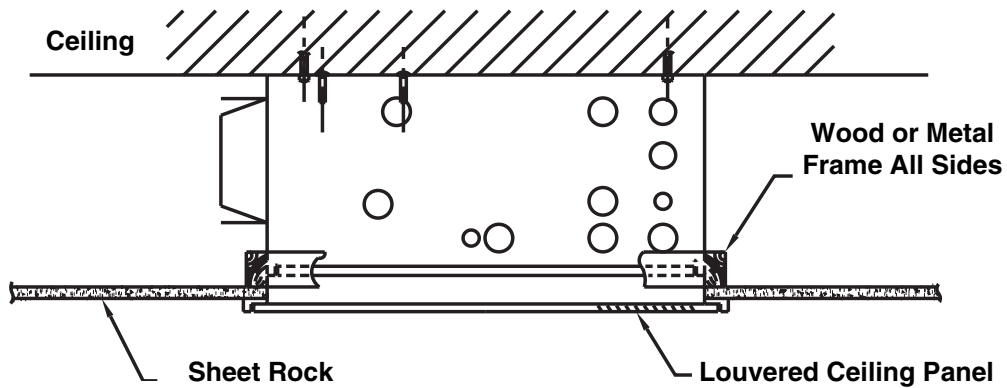
MODEL SIZE (BTU)	UNCASED (NO ENCLOSURE)		FACTORY INSTALLED ENCLOSURE	
	MODEL (PISTON)	FACTORY INSTALLED TXV'S	MODEL (PISTON)	FACTORY INSTALLED TXV'S
		MODEL (R410A TXV)		MODEL (R410A TXV)
18,000	19CDXQ	19CDXQ R410 TXV	19CDXQ-C	19CDXQ-C R410 TXV
18,000	20CDXQ	20CDXQ R410 TXV	20CDXQ-C	20CDXQ-C R410 TXV
24,000	24CDXQ	24CDXQ R410 TXV	24CDXQ-C	24CDXQ-C R410 TXV
24,000	25CDXQ	25CDXQ R410 TXV	25CDXQ-C	25CDXQ-C R410 TXV
24,000	26CDXQ	26CDXQ R410 TXV	26CDXQ-C	26CDXQ-C R410 TXV
30,000	31CDXQ	31CDXQ R410 TXV	31CDXQ-C	31CDXQ-C R410 TXV
30,000	32CDXQ	32CDXQ R410 TXV	32CDXQ-C	32CDXQ-C R410 TXV
36,000	37CDXQ	37CDXQ R410 TXV	37CDXQ-C	37CDXQ-C R410 TXV

All TXV's are approved for cooling only or heat pump operation (non-bleed type).

NOTE:

Expansion valve requirement depends on the selected outdoor unit.
Go to: www.firstco.com or contact the factory for assistance.

ENCLOSURE INSTALLATION SUPPORT FRAMING



ENCLOSURE CONNECTION LOCATIONS

