

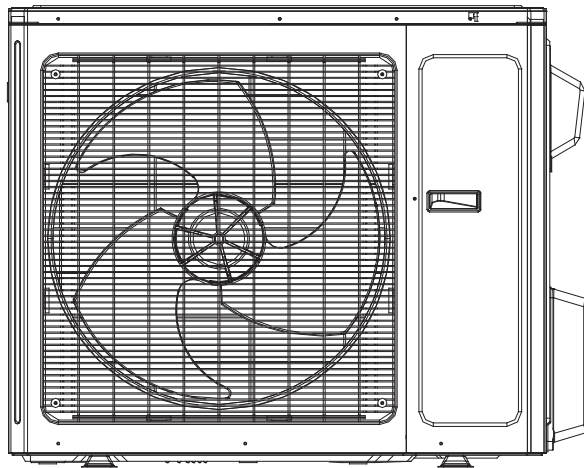
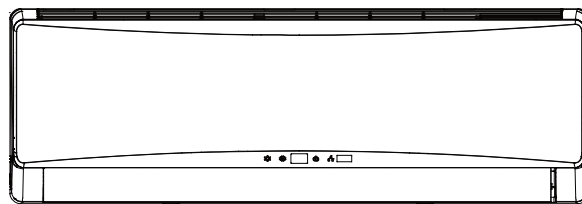


TRANE®

22-1898-1C-EN

Product Data

**Split System (R-410A)
up to 27 SEER, Inverter System
9,000 to 24,000 BTU/Hr**



**Single Split
Heat Pump**

**Indoor Unit
4MXW27-A**

**Outdoor Unit
4TXK27-A**

It's Hard to Stop a Trane.

**Split System (R-410A, 60Hz) up to 27 SEER,
Inverter System - 9,000 to 24,000 BTU/Hr**

Whatever their specific heating and cooling needs, people trust Trane to provide reliable efficient solutions. Trane Ductless Systems allow you to create a comfortable indoor environment in spaces where adding ductwork might be impractical or too expensive, or not as efficient as a ductless option.

Retrofit a house that doesn't have a ducted system or where the central system is already at capacity. Bring efficient, economical comfort to new room additions. Provide spot heating and cooling that operates independently of the central system. Utilize ductless efficiency for new construction projects where ductless systems make more sense than a traditional ducted system.

Easy to install Trane Ductless Systems offer flexibility in design and provide efficiency and economy with two simple components - an outdoor unit and one or more stylish, low profile, indoor units. All built with Trane's legendary reliability and innovative thinking.

Introducing the New TRANE Ductless Family



**4MXW27 High Efficiency
Indoor Unit**

Quiet Design

Specially designed air vent efficiently reduces operation noise, as low as 23 dB.

Turbo Function/Fan Speed

High speed operation quickly reaches desired temperature. Seven fan speeds from Quiet to Turbo maximize your comfort experience.

Sleep Mode Function

Temperature rises/falls automatically to maintain room comfort and save energy while you sleep.

Auto Clean/Triple Filtration

Fan runs when unit is stopped to reduce moisture and inhibit the development of bacteria, and the triple filtration further cleans the air that you breathe.

Anti-Cold Design

To prevent blowing cold air directly to the room, air is pre-heated during heating operation.

Timer

Operate the unit automatically only when you want by setting the timer.

Outdoor Unit

Energy Efficiency

Quickly reach the desired temperature without sacrificing your electricity bills with our higher EER/COP levels.

Robust Grille

Prevent damage without impacting airflow with our strong, hot-dip galvanized steel grille.

Intelligent Defrost

Auto defrosting is implemented if necessary. It improves the system's heating efficiency and helps you save power. (Standard on all heat pump models.)

Blue Fin

Increase durability and ensure continued efficiency with our special anti-corrosion coil treatment. (Standard on all heat pump models.)

Twin Rotary DC Compressor

Provides better balance and higher efficiency.

Compressor Protection

Compressor stops or delays operation when there is mode conflict.

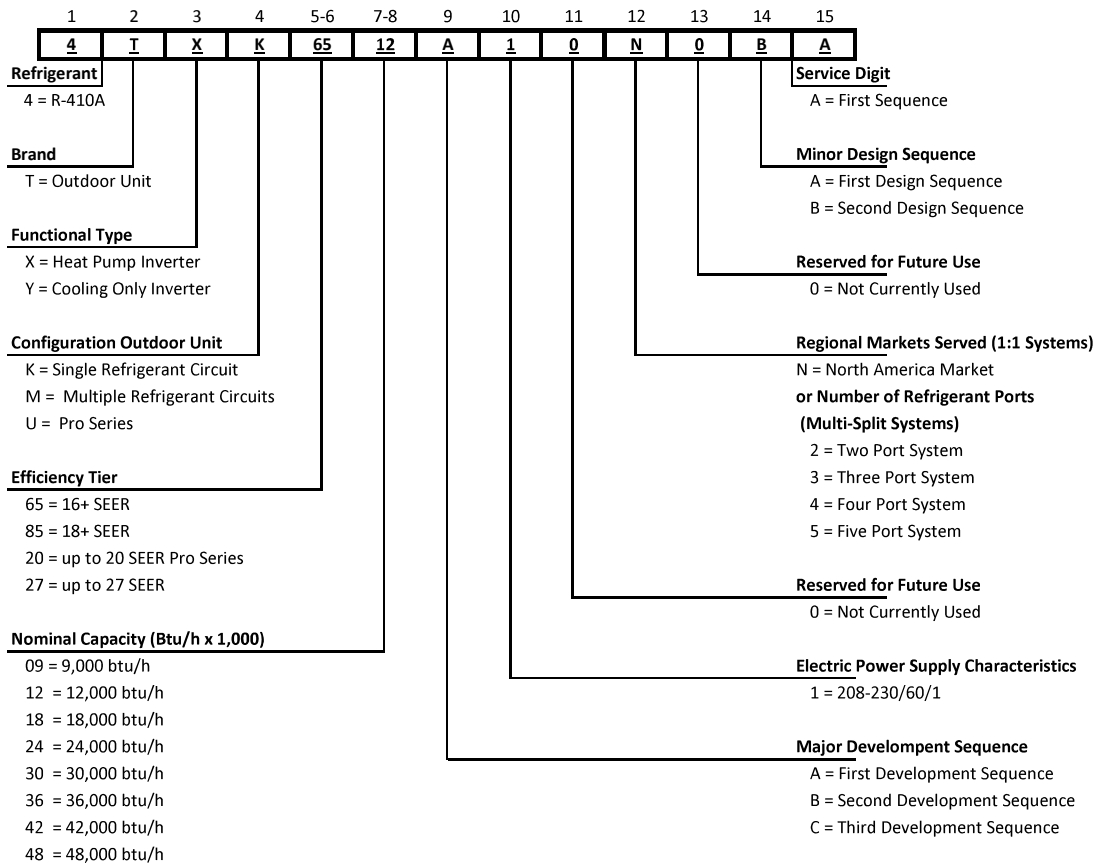


4TXK27 Outdoor Unit

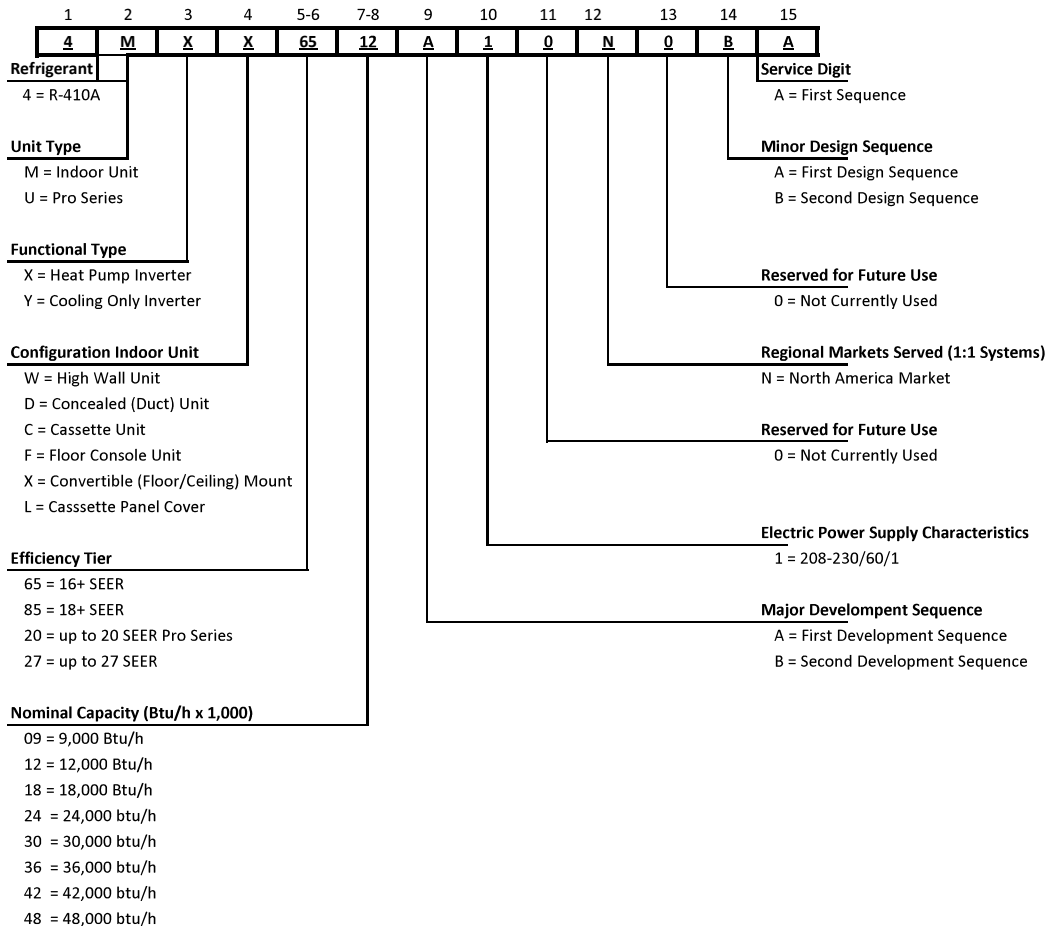
Contents

Model Nomenclature	5
<hr/>	
Optional Equipment	6
<hr/>	
General Data	7-10
<hr/>	
Unit Capacities	11
<hr/>	
Mechanical Specifications	12
<hr/>	

OUTDOOR UNIT MODEL NOMENCLATURE



INDOOR UNIT MODEL NOMENCLATURE



Optional Equipment

See the Service First Mini-Split Accessory Catalog for the complete accessory list.

Optional outdoor unit accessories

Model Number	Description	4TXK27 Mini-split HP up to 27 SEER
TAYREFLN560	Lineset Kit 1/4x1/2 - 25'	✓
TAYREFLN565	Lineset Kit 1/4x1/2 - 35'	✓
TAYREFLN570	Lineset Kit 1/4x1/2 - 50'	✓
TAYREFLN575	Lineset Kit 1/4x1/2 - 100'	✓
TAYREFLN155	Lineset Kit 1/4x5/8 - 25'	✓
TAYREFLN160	Lineset Kit 1/4x5/8 - 35'	✓
TAYREFLN165	Lineset Kit 1/4x5/8 - 50'	✓
TAYREFLN170	Lineset Kit 1/4x5/8 - 100'	✓

Optional indoor unit accessories

Model Number	Description	4TXW27 Mini-split Indoor up to 27 SEER
BAYFTHW02P2A	Active Carbon & Catechin filter for 18 & 24 MBH 16 SEER units and 9, 12, 18 & 24 MBH 18 and 27 SEER units	✓
BAYFTHW03P2A	Active Carbon & Catechin filter for 36 MBH 18 SEER units	✓
AREMOTE2AHANDAA	Wireless controller	✓

Air Throw for High Wall		
Max Horizontal Distance		
Unit: ft. (m)		
Model	Cooling Mode	Heating Mode
4MXW2709	28.8 (8.8)	19.0 (5.8)
4MXW2712	28.8 (8.8)	19.0 (5.8)
4MXW2718	28.8 (8.8)	21.3 (6.5)
4MXW2724	29.0 (8.9)	22.9 (7.0)

General Data

MODEL - Heat Pump Only

4MXW2709A10N / 4TXK2709A10N

	Cooling	Heating
RATED Volts/PH	208 / 230 / 1	
Frequency (Hz)	60Hz	
Rated Cooling / Heating Capacity (Btu/h):	9000	9800
Minimum Cooling Capacity (@95F) (Btu/h):	3100	0
Maximum Cooling Capacity (@95F) (Btu/h):	9600	0
Minimum Heating Capacity (@47F) (Btu/h):	0	2200
Maximum Heating Capacity (@47F) (Btu/h):	0	9800
Maximum Heating Capacity (@17F) (Btu/h):	0	5800
Total Capacity (W) (High/Standard/Low):	2820 / 2640 / 900	3210 / 2880 / 660
Nominal Power Input (W)	600	650
Nominal Input Current (A)	5.7	7.0
SEER / HSPF	27.0	10.0
EER / COP (Btu/h)/W	14.5	13.0
Air Flow Volume (CFM) (TURBO/MH/H//M/ML/L/QUIET)	420/300/280/250/220/180/120	
Dehumidifying Volume (pt./h)	1.9	

Indoor Unit

4MXW2709A10N

Fan Motor Speed (r/min) (TURBO/MH/H//M/ML/L/QUIET)	1400/1050/1000/900/800/700/500	1400/1150/1080/1030/980/900/850
Fan Motor RLA(A)	0.07	
Evaporator	Aluminum Fin-Copper Tube	
Pipe Diameter (inch)	0.28	
Rows - Fin Gap (inch)	2.0 - 0.06	
Coil length (L) x depth (D) x coil height (H) (inch)	26.1 x 1.0 x 12.0	
Output of Swing Motor (W)	1.5/1.5/1.5	
Fuse (A)	3	
Sound PRESSURE Level dB (A)(TURBO/MH/H//M/ML/L/QUIET) ①	42/38/36/34/30/26/23	
Uncrated Dimension (L/D/H) (inch)	34.1 x 8.2 x 11.5	
Crated Dimension of Package (L/D/H) (inch)	37.2 x 14.8 x 11.7	
Net Weight /Gross Weight (lbs)	24.3 / 30.9	

Outdoor Unit

4TXK2709A10N

Compressor Type	Rotary	
L.R.A. (A)	13.8	
Compressor RLA(A)	3.2	
Compressor Power Input(W)	860	
Throttling Method	EEV	
Working Temp Range (oF)	0 ~ 118	-4 ~ 86
Condenser	Aluminum Fin-Copper Tube	
Pipe Diameter (inch)	0.31	
Rows - Fin Gap (inch)	2.5 - 0.06	
Coil length (L) x height (H) x coil width (W) (inch)	30.0 x 21.7 x 2.2	
Fan Motor Speed (rpm) (L/M/H)	600/750/850	
Output of Fan Motor (W)	40	
Fan Motor RLA (A)	0.18	
Air Flow Volume of Outdoor Unit (CFM)	1180	
Fan Diameter (inch)	17.5	
Defrosting Method	Automatic Defrosting	
Sound PRESSURE Level dB (A)①	49	
Uncrated Dimension (L/D/H) (inch)	35.4 x 14.9 x 23.5	
Crated Dimension of Package (L/D/H) (inch)	37.3 x 16.5 x 25.4	
Net Weight /Gross Weight (lbs)	87.1 / 91.5	
Refrigerant Charge (oz)	45.9	
MCA	10	
MOP	15	

Connection Pipe

Gas additional charge(oz/ft)	0.2
Outer Diameter Liquid Pipe (inch)	1/4
Outer Diameter Gas Pipe (inch)	1/2
Max Height Distance (ft)	50
Max Length Distance (ft)	100

① Sound PRESSURE Level @ 3.3 ft. dB(A)

General Data

MODEL - Heat Pump Only

4MXW2712A10N / 4TXK2712A10N

	Cooling	Heating
RATED Volts/PH	208 / 230 / 1	
Frequency (Hz)	60Hz	
Rated Cooling / Heating Capacity (Btu/h):	12000	13000
Minimum Cooling Capacity (@95F) (Btu/h):	3500	0
Maximum Cooling Capacity (@95F) (Btu/h):	13000	0
Minimum Heating Capacity (@47F) (Btu/h):	0	2400
Maximum Heating Capacity (@47F) (Btu/h):	0	13000
Maximum Heating Capacity (@17F) (Btu/h):	0	8000
Total Capacity (W) (High/Standard/Low):	3810 / 3510 / 1020	4110 / 3810 / 690
Nominal Power Input (W)	882	960
Nominal Input Current (A)	6.0	7.5
SEER / HSPF	25.0	10.0
EER / COP (Btu/h)/W	13.0	12.0
Air Flow Volume (CFM) (TURBO/MH/H/M/ML/L/QUIET)	450/310/290/260/220/180/120	
Dehumidifying Volume (pt./h)	3.0	

Indoor Unit

4MXW2712A10N

Fan Motor Speed (r/min) (TURBO/MH/H/M/ML/L/QUIET)	1450/1070/1000/900/800/700/500	1450/1150/1080/1030/980/900/850
Fan Motor RLA(A)	0.07	
Evaporator	Aluminum Fin-Copper Tube	
Pipe Diameter (inch)	0.28	
Rows - Fin Gap (inch)	2.0 - 0.06	
Coil length (L) x depth (D) x coil height (H) (inch)	26.1 x 1.0 x 12.0	
Output of Swing Motor (W)	1.5/1.5/1.5	
Fuse (A)	3	
Sound PRESSURE Level dB (A)(TURBO/MH/H/M/ML/L/QUIET) ①	44/38/36/34/30/26/24	
Uncrated Dimension (L/D/H) (inch)	34.1 x 8.2 x 11.5	
Crated Dimension of Package (L/D/H) (inch)	37.2 x 14.8 x 11.7	
Net Weight /Gross Weight (lbs)	24.3 / 30.9	

Outdoor Unit

4TXK2712A10N

Compressor Type	Rotary	
L.R.A. (A)	13.8	
Compressor RLA(A)	3.2	
Compressor Power Input(W)	860	
Throttling Method	EEV	
Working Temp Range (oF)	0 ~ 118	-4 ~ 86
Condenser	Aluminum Fin-Copper Tube	
Pipe Diameter (inch)	0.31	
Rows - Fin Gap (inch)	2.5 - 0.06	
Coil length (L) x height (H) x coil width (W) (inch)	30.0 x 21.7 x 2.2	
Fan Motor Speed (rpm) (L/M/H)	600/750/850	
Output of Fan Motor (W)	40	
Fan Motor RLA (A)	0.18	
Air Flow Volume of Outdoor Unit (CFM)	1180	
Fan Diameter (inch)	17.5	
Defrosting Method	Automatic Defrosting	
Sound PRESSURE Level dB (A) ①	49	
Uncrated Dimension (L/D/H) (inch)	35.4 x 14.9 x 23.5	
Crated Dimension of Package (L/D/H) (inch)	37.3 x 16.5 x 25.4	
Net Weight /Gross Weight (lbs)	87.1 / 91.5	
Refrigerant Charge (oz)	45.9	
MCA	10	
MOP	15	

Connection Pipe

Gas additional charge(oz/ft)	0.2
Outer Diameter Liquid Pipe (inch)	1/4
Outer Diameter Gas Pipe (inch)	1/2
Max Height Distance (ft)	50
Max Length Distance (ft)	100

① Sound PRESSURE Level @ 3.3 ft. dB(A)

General Data

MODEL - Heat Pump Only

4MXW2718A10N / 4TXK2718A10N

	Cooling	Heating
RATED Volts/PH	208 / 230 / 1	
Frequency (Hz)	60Hz	
Rated Cooling / Heating Capacity (Btu/h):	18000	19000
Minimum Cooling Capacity (@95F) (Btu/h):	3400	0
Maximum Cooling Capacity (@95F) (Btu/h):	22200	0
Minimum Heating Capacity (@47F) (Btu/h):	0	3400
Maximum Heating Capacity (@47F) (Btu/h):	0	23200
Maximum Heating Capacity (@17F) (Btu/h):	0	16700
Total Capacity (W) (High/Standard/Low):	6480 / 5280 / 990	6780 / 5580 / 990
Nominal Power Input (W)	1500	1580
Nominal Input Current (A)	7.3	7.6
SEER / HSPF	21.0	10.0
EER / COP (Btu/h)/W	12.5	12.0
Air Flow Volume (CFM) (TURBO/MH/H//M/ML/L/QUIET)	560/510/470/420/370/330/280	
Dehumidifying Volume (pt./h)	3.8	

Indoor Unit

4MXW2718A10N

Fan Motor Speed (r/min) (TURBO/MH/H//M/ML/L/QUIET)	1400/1300/1200/1100/1000/900/800	1450/1350/1250/1150/1050/950/850
Fan Motor RLA(A)	0.10	
Evaporator	Aluminum Fin-Copper Tube	
Pipe Diameter (inch)	0.28	
Rows - Fin Gap (inch)	2.0 - 0.06	
Coil length (L) x depth (D) x coil height (H) (inch)	30.1 x 1.0 x 13.5	
Output of Swing Motor (W)	2/2.5/1.5	
Fuse (A)	3	
Sound PRESSURE Level dB (A)(TURBO/MH/H//M/ML/L/QUIET) ①	51/47/44/41/38/36/33	
Uncrated Dimension (L/D/H) (inch)	40.0 x 9.1 x 12.6	
Crated Dimension of Package (L/D/H) (inch)	43.2 x 15.6 x 13.4	
Net Weight /Gross Weight (lbs)	30.9 / 38.6	

Outdoor Unit

4TXK2718A10N

Compressor Type	RotarY	
L.R.A. (A)	25.0	
Compressor RLA(A)	7.2	
Compressor Power Input(W)	1440	
Throttling Method	EEV	
Working Temp Range (oF)	0 ~ 109	-4 ~ 75
Condenser	Aluminum Fin-Copper Tube	
Pipe Diameter (inch)	0.375	
Rows - Fin Gap (inch)	2.0 - 0.06	
Coil length (L) x height (H) x coil width (W) (inch)	32.0 x 26.0 x 1.7	
Fan Motor Speed (rpm) (L/M/H)	300/800	
Output of Fan Motor (W)	60	
Fan Motor RLA (A)	0.50	
Air Flow Volume of Outdoor Unit (CFM)	1880	
Fan Diameter (inch)	20.5	
Defrosting Method	Automatic Defrosting	
Sound PRESSURE Level dB (A)①	56	
Uncrated Dimension (L/D/H) (inch)	37.6 x 15.6 x 27.6	
Crated Dimension of Package (L/D/H) (inch)	40.5 x 18.0 x 29.5	
Net Weight /Gross Weight (lbs)	108.0 / 119.0	
Refrigerant Charge (oz)	56.4	
MCA	15	
MOP	20	

Connection Pipe

Gas additional charge(oz/ft)	0.5
Outer Diameter Liquid Pipe (inch)	1/4
Outer Diameter Gas Pipe (inch)	5/8
Max Height Distance (ft)	65
Max Length Distance (ft)	100

① Sound PRESSURE Level @ 3.3 ft. dB(A)

General Data

MODEL - Heat Pump Only

4MXW2724A10N / 4TXK2724A10N

	Cooling	Heating
RATED Volts/PH	208 / 230 / 1	
Frequency (Hz)	60Hz	
Rated Cooling / Heating Capacity (Btu/h):	24000	25000
Minimum Cooling Capacity (@95F) (Btu/h):	6800	0
Maximum Cooling Capacity (@95F) (Btu/h):	24000	0
Minimum Heating Capacity (@47F) (Btu/h):	0	7500
Maximum Heating Capacity (@47F) (Btu/h):	0	25000
Maximum Heating Capacity (@17F) (Btu/h):	0	15300
Total Capacity (W) (High/Standard/Low):	8580 / 7020 / 2010	10950 / 7320 / 2190
Nominal Power Input (W)	2000	2320
Nominal Input Current (A)	8.9	10.3
SEER / HSPF	21.0	10.0
EER / COP (Btu/h)/W	12.5	10.8
Air Flow Volume (CFM) (TURBO/MH/H//M/ML/L/QUIET)	650/590/530/470/410/350/290	
Dehumidifying Volume (pt./h)	5.3	

Indoor Unit

4MXW2724A10N

Fan Motor Speed (r/min) (TURBO/MH/H//M/ML/L/QUIET)	1400/1300/1200/1100/1000/900/800	1350/1350/1250/1150/1050/900/800
Fan Motor RLA(A)	0.38	
Evaporator	Aluminum Fin-Copper Tube	
Pipe Diameter (inch)	0.28	
Rows - Fin Gap (inch)	2 - 0.06	
Coil length (L) x depth (D) x coil height (H) (inch)	35.6 x 1.0 x 15.0	
Output of Swing Motor (W)	2.5/1.5/1.5	
Fuse (A)	3	
Sound PRESSURE Level dB (A)(TURBO/MH/H//M/ML/L/QUIET) ①	52/49/47/45/43/41/38	
Uncrated Dimension (L/D/H) (inch)	46.4 x 10.4 x 12.8	
Crated Dimension of Package (L/D/H) (inch)	49.4 x 16.3 x 14.3	
Net Weight /Gross Weight (lbs)	38.6 / 47.4	

Outdoor Unit

4TXK2724A10N

Compressor Type	Rotary	
L.R.A. (A)	40.0	
Compressor RLA(A)	14.7	
Compressor Power Input(W)	2450	
Throttling Method	EEV	
Working Temp Range (oF)	0 ~ 109	-4 ~ 75
Condenser	Aluminum Fin-Copper Tube	
Pipe Diameter (inch)	0.31	
Rows - Fin Gap (inch)	3.0 - 0.06	
Coil length (L) x height (H) x coil width (W) (inch)	37.8 x 29.4 x 2.3	
Fan Motor Speed (rpm) (L/M/H)	400/820	
Output of Fan Motor (W)	90	
Fan Motor RLA (A)	0.65	
Air Flow Volume of Outdoor Unit (CFM)	2350	
Fan Diameter (inch)	21.7	
Defrosting Method	Automatic Defrosting	
Sound PRESSURE Level dB (A) ①	59	
Uncrated Dimension (L/D/H) (inch)	38.6 x 16.8 x 31.1	
Crated Dimension of Package (L/D/H) (inch)	42.6 x 19.2 x 33.7	
Net Weight /Gross Weight (lbs)	154.3 / 165.3	
Refrigerant Charge (oz)	91.7	
MCA	20	
MOP	30	

Connection Pipe

Gas additional charge(oz/ft)	0.5
Outer Diameter Liquid Pipe (inch)	1/4
Outer Diameter Gas Pipe (inch)	5/8
Max Height Distance (ft)	65
Max Length Distance (ft)	100

① Sound PRESSURE Level @ 3.3 ft. dB(A)

Unit Capacities

Capacities (Btu/h)

Temp.(°F)		4TXK2709	4TXK2712	4TXK2718	4TXK2724	Temp.(°F)		4TXK2709	4TXK2712	4TXK2718	4TXK2724
		4MXW2709	4MXW2712	4MXW2718	4MXW2724			4MXW2709	4MXW2712	4MXW2718	4MXW2724
Heat Mode	-4	5100	7800	11500	15500	Cool Mode	85	9400	12900	19300	25600
	0	5500	8100	12500	16600		90	9100	12300	18300	24000
	5	6000	8500	13700	17900		95	8800	11800	17300	22200
	10	6600	9300	14000	18700		100	8500	11500	16600	21800
	15	7200	10200	14300	19500		105	8300	11300	15900	21200
	20	7700	11000	14700	20400		110	8000	11100	15100	20600
	25	8000	11400	15500	21200		115	7700	10800		
	30	8300	11800	16300	22000		118	7500	10700		
	35	8500	12300	17000	23000						
	40	9000	12600	17900	23800						
	45	9700	12800	18900	24800						

Capacities (Watts)

Temp.(°F)		4TXK2709	4TXK2712	4TXK2718	4TXK2724	Temp.(°F)		4TXK2709	4TXK2712	4TXK2718	4TXK2724
		4MXW2709	4MXW2712	4MXW2718	4MXW2724			4MXW2709	4MXW2712	4MXW2718	4MXW2724
Heat Mode	-4	1500	2280	3360	4530	Cool Mode	85	2760	3780	5640	7500
	0	1620	2370	3660	4860		90	2670	3600	5370	7020
	5	1770	2490	4020	5250		95	2580	3450	5070	6480
	10	1920	2730	4110	5490		100	2490	3360	4860	6360
	15	2100	3000	4200	5700		105	2430	3300	4650	6240
	20	2250	3210	4320	6000		110	2340	3240	4410	6060
	25	2340	3330	4530	6240		115	2250	3150		
	30	2430	3450	4770	6420		118	2190	3150		
	35	2490	3600	4980	6720						
	40	2640	3690	5250	6960						
	45	2850	3750	5550	7260						

Mechanical Specifications

Single Zone Outdoor Unit

General

This unit is fully charged from the factory for 25 feet of piping. This unit is designed to operate at outdoor ambient temperatures as high as 118°F. Cooling capacities with the mini-split air handler shown in the catalog are AHRI certified. The unit is ETL listed for outdoor application.

Unit Casing

The unit casing is constructed of heavy gauge, galvanized steel and painted with a weather-resistant powder paint.

Refrigerant Controls

Refrigeration system controls include condenser fan and compressor relay. High and low pressure controls are inherent to the compressor. A suction line multi function service valve is standard

Compressor

The compressor features internal over temperature and pressure protection; total dipped hermetic motor windings. Other features include: centrifugal oil pump and low vibration and noise.

Condenser Coil

The coil shall consist of aluminum finned coils brazed to copper tubing. The coil provides air flow resistance and efficient heat transfer. The coil is protected by the casing.

Low Ambient Cooling

Matched 27 SEER Trane ductless products, have a cooling capability to 0° F and heating capability to -4° F.

Single Zone Indoor High Wall

General

The High Wall mounted type air handler shall be completely factory assembled including coil, condensate drain pan, fan motor, washable filter, air purifying filter and electric controls to be used with a wireless remote controller. Unit shall be shipped with a unit mounting plate. Unit shall be matched with a Trane outdoor unit, rated and tested in accordance with AHRI standard. Unit shall be ETL listed.

Unit Casing

Casing shall be provided with knockouts on the right, and left of the unit to facilitate piping and electrical connection on either side of the unit. An electrical service cover shall be provided to permit easy access to the electrical terminal strip.

Discharge Airflow and Distribution System

Unit shall have auto swing, dual horizontal blades to optimize the aperture outlet for vertical airflow and air distribution. Blade shall close automatically when the air conditioner is turned off to minimize dust entering the unit. Five-Step preset program on the remote controller shall be available to control the blade angle.

Manually adjusted wide-angle louvers shall be provided to adjust the coverage and direction of airflow.

Controls

Units shall have the capability to be controlled remotely.

Remote Controller

The unit shall have a wireless infrared remote controller with an easily readable digital display panel to start, stop and regulate the air conditioner from a distance.

The wireless controller is available for all units. **(Sold separately)**

Healthy Filters

The unit shall have one combined active carbon and catechin filter with the unit. The filter needs to be cleaned at least once a year.



Trane
6200 Troup Highway
Tyler, TX 75707-9010

03/15

The manufacturer has a policy of continuous product and product data improvement and it reserves the right to change design and specifications without notice.