



Submittal Data Information

Suction Diffuser Rear Strainer Pullout (RSP) "Flanged"

301-239.1

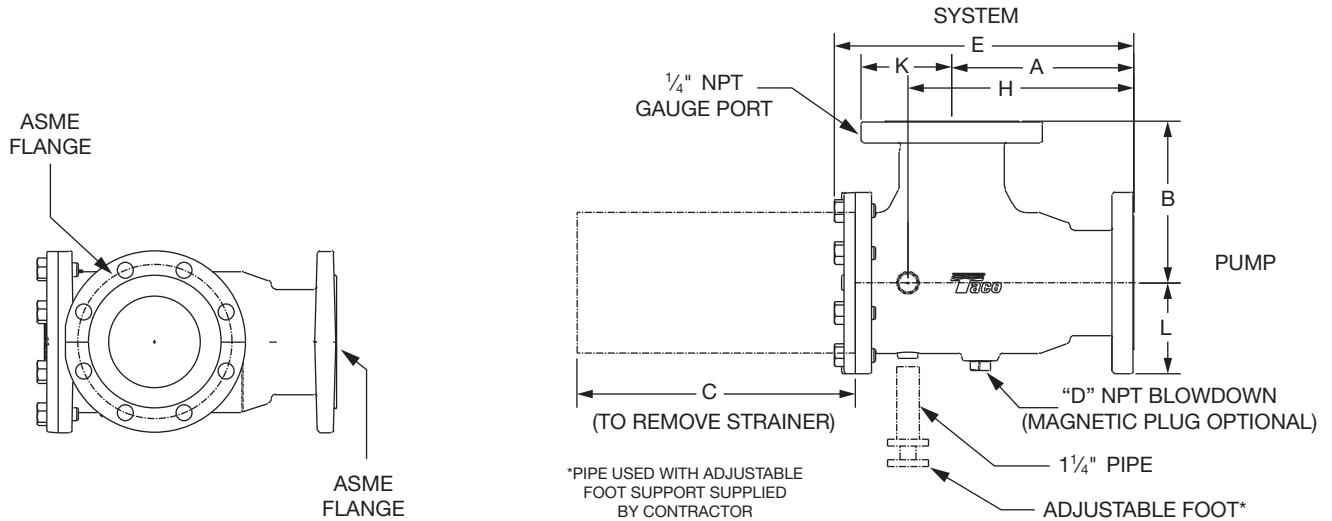
SUPERSEDES: August 1, 2012

EFFECTIVE: September 17, 2013

JOB _____ ENGINEER _____ CONTRACTOR _____ REP. _____

ITEM	QUANTITY	MODEL NO.	SIZE
------	----------	-----------	------

DIMENSIONS



Model Number	System	Pump	C _v	Free Area (sq. in.)	A (Class 125)*	A (Class 250)*	B	C	D	E (Class 125)*	E (Class 250)*	H (Class 125)*	H (Class 250)*	K (Class 125)*	K (Class 250)*	L (Class 125)*	L (Class 250)*	WGT. (Class 125)*	WGT. (Class 250)*
SD020015-5	2 Flanged	1½ Flanged	54	21	5.69 (145)	6.06 (154)	5.39 (137)	8.49 (216)	¾	9.25 (235)	9.62 (244)	6.92 (176)	7.29 (185)	3.00 (076)	3.25 (083)	2.50 (064)	3.06 (078)	22 (010)	27 (012)
SD020020-5	2 Flanged	2 Flanged	106	21	5.44 (138)	5.69 (145)	5.39 (137)	8.24 (209)	¾	9.00 (229)	9.25 (235)	6.67 (169)	6.92 (176)	3.00 (076)	3.25 (083)	3.00 (076)	3.25 (083)	24 (011)	28 (013)
SD025020-5	2½ Flanged	2 Flanged												3.50 (089)	3.75 (095)	3.00 (076)	3.25 (083)	27 (012)	35 (016)
SD030020-5	3 Flanged	2 Flanged												3.75 (095)	4.12 (105)	3.00 (076)	3.25 (083)	29 (013)	39 (018)
SD025025-5	2½ Flanged	2½ Flanged	135	24	6.06 (154)	6.56 (167)	6.01 (153)	8.97 (228)	¾	9.83 (250)	10.35 (263)	7.41 (188)	7.91 (201)	3.50 (089)	3.75 (095)	3.50 (089)	3.75 (095)	38 (017)	54 (025)
SD030025-5	3 Flanged	2½ Flanged			6.06 (154)	6.56 (167)	6.01 (153)		1	9.83 (250)		7.41 (188)	7.91 (201)	3.75 (095)	4.12 (105)	3.50 (089)	3.75 (095)	38 (017)	52 (024)
SD040025-5	4 Flanged	2½ Flanged			6.07 (154)	6.07 (154)	8.45 (215)		¾	8.93 (227)		7.59 (193)	7.59 (193)	4.43 (113)	4.93 (125)	3.50 (089)	3.75 (095)	52 (024)	65 (030)
SD030030-5	3 Flanged	3 Flanged	220	35	6.86 (174)	7.62 (194)	6.56 (167)	10.47 (266)	1	11.41 (290)	12.18 (309)	8.32 (211)	9.09 (231)	3.75 (095)	4.12 (105)	3.75 (095)	4.12 (105)	50 (023)	66 (030)
SD040030-5	4 Flanged	3 Flanged				4.50 (114)	5.00 (127)					3.75 (095)	4.12 (105)	55 (025)	72 (033)				
SD050030-5	5 Flanged	3 Flanged				8.51 (216)	8.51 (216)					4.93 (125)	5.43 (138)	3.75 (095)	4.13 (105)	65 (030)	83 (038)		
SD040040-5	4 Flanged	4 Flanged	380	64	7.94 (202)	8.93 (227)	8.45 (215)	12.86 (327)	1	13.96 (355)	14.90 (378)	10.29 (261)	11.28 (287)	4.50 (114)	5.00 (127)	4.50 (114)	5.00 (127)	73 (033)	91 (041)
SD050040-5	5 Flanged	4 Flanged												5.00 (127)	5.50 (140)	4.50 (114)	5.00 (127)	75 (034)	97 (044)
SD060040-5	6 Flanged	4 Flanged												5.50 (140)	6.25 (159)	4.50 (114)	5.00 (127)	79 (036)	109 (049)

NOTE: Dimensions are in inches. Metric dimensions are in millimeters and are in parentheses (). Weights are in lb (kg).
 *C' is the distance required to replace strainer.

* Append 'A' for Class 250 working pressure flanged units (pump side) – e.g. Model Number SD040030-4A.

DIMENSIONS (continued)

Model Number	System	Pump	C _v	Free Area (sq. in.)	A (Class 125)*	A (Class 250)*	B	C	D	E (Class 125)*	E (Class 250)*	H (Class 125)*	H (Class 250)*	K (Class 125)*	K (Class 250)*	L (Class 125)*	L (Class 250)*	WGT. (Class 125)*	WGT. (Class 250)*
SD050050-5	5 Flanged	5 Flanged	669	100	10.06 (256)	10.06 (256)	8.94 (227)	15.36 (390)	1	16.54 (420)	16.54 (420)	12.48 (317)	12.48 (317)	5.00 (127)	5.50 (140)	5.00 (127)	5.50 (140)	90 (041)	116 (053)
SD060050-5	6 Flanged	5 Flanged					5.50 (140)					6.25 (159)	5.00 (127)	5.50 (140)	96 (044)	127 (058)			
SD080050-5	8 Flanged	5 Flanged					13.21 (336)					6.68 (170)	7.43 (189)	5.00 (127)	5.50 (140)	151 (069)	194 (088)		
SD060060-5	6 Flanged	6 Flanged	985	146	11.58 (294)	12.08 (307)	11.17 (284)	19.02 (483)	1	20.39 (518)	20.89 (531)	16.17 (411)	16.67 (423)	5.50 (140)	6.25 (159)	5.50 (140)	6.25 (159)	151 (069)	193 (088)
SD080060-5	8 Flanged	6 Flanged												6.75 (171)	7.50 (191)	5.50 (140)	6.25 (159)	170 (077)	215 (098)
SD100060-5	10 Flanged	6 Flanged												8.00 (203)	8.75 (222)	5.50 (140)	6.25 (159)	182 (083)	238 (108)
SD080080-5	8 Flanged	8 Flanged	1657	248	14.43 (367)	15.31 (389)	13.21 (336)	23.79 (604)	1	25.32 (643)	26.19 (685)	20.22 (514)	21.1 (536)	6.75 (171)	7.50 (191)	6.75 (171)	7.50 (191)	271 (123)	319 (145)
SD100080-5	10 Flanged	8 Flanged												8.00 (203)	8.75 (222)	6.75 (171)	7.50 (191)	284 (129)	351 (159)
SD120080-5	12 Flanged	8 Flanged												9.50 (241)	10.25 (260)	6.75 (171)	7.50 (191)	305 (138)	388 (176)
SD100100-5	10 Flanged	10 Flanged	2650	394	18.36 (466)	19.61 (498)	14.54 (369)	29.40 (747)	1	31.10 (790)	32.35 (822)	25.64 (651)	26.89 (683)	8.00 (203)	8.75 (222)	8.00 (203)	8.75 (222)	400 (182)	482 (219)
SD120100-5	12 Flanged	10 Flanged												9.50 (241)	10.25 (260)	8.00 (203)	8.75 (222)	420 (191)	518 (235)
SD140100-5	14 Flanged	10 Flanged												11.50 (292)	10.25 (260)	8.00 (203)	8.75 (222)	441 (200)	557 (253)
SD120120-5	12 Flanged	12 Flanged	3000	570	20.39 (518)	22.64 (575)	16.62 (422)	33.72 (856)	1	35.50 (902)	37.75 (959)	29.83 (758)	32.08 (815)	9.50 (241)	10.25 (260)	9.50 (241)	10.25 (260)	589 (267)	703 (319)
SD140120-5	14 Flanged	12 Flanged												11.50 (292)	11.50 (292)	9.50 (241)	10.25 (260)	617 (280)	786 (357)
SD160120-5	16 Flanged	12 Flanged												11.75 (298)	12.75 (324)	9.50 (241)	10.25 (260)	651 (296)	802 (364)
SD140140-5	14 Flanged	14 Flanged	3940	628	22.31 (567)	22.31 (567)	19.26 (489)	34.00 (864)	1	37.66 (957)	37.66 (957)	31.61 (803)	31.61 (803)	10.50 (267)	11.50 (292)	10.50 (267)	11.50 (292)	895 (406)	1049 (476)
SD160140-5	16 Flanged	14 Flanged												11.75 (298)	12.75 (324)	10.50 (267)	11.50 (292)	934 (424)	1106 (502)

NOTE: Dimensions are in inches. Metric dimensions are in millimeters and are in parentheses (). Weights are in lb (kg).
 *C' is the distance required to replace strainer.

* Append 'A' for Class 250 working pressure flanged units (pump side) – e.g. Model Number SDG040030-4A.

FEATURES

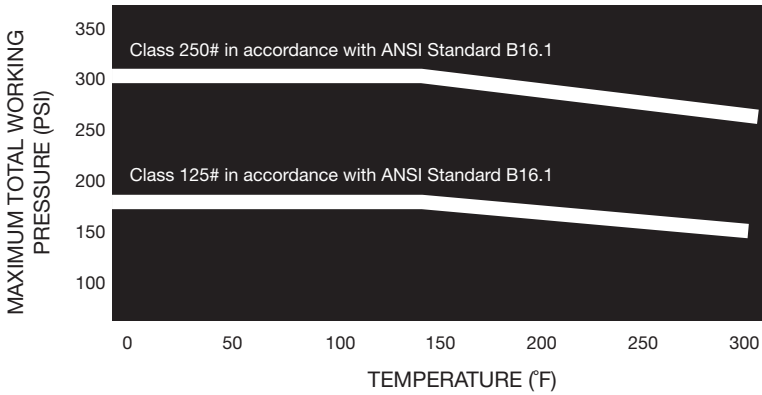
- Integral Cast Straightening Vanes ensure uniform flow to the suction inlet of the pump
- Oversized Body Cylinder ensures minimal pressure drop
- Metering Port allows for the monitoring of system conditions
- Disposable Fine Mesh Start-Up Strainer promotes cleaner, more trouble-free system
- Removable Cover Plate and reusable "O" Ring allows for easy access and maintenance of Permanent Strainer
- Blow Down port allows for routine maintenance and removal of sediment and debris
- Ductile Iron Body on all units
- Optional Magnetic Insert to trap small metallic particles
- Available with Class 125* flanges or Class 250* flanges. Consult pressure/temperature chart below for operating limitations. (Flanged units are raised faced design.)

(All sizes available with optional DIN Flanges. Consult factory for details)

MATERIALS OF CONSTRUCTION

- | | |
|------------------------------|-------------------------|
| Body | - Ductile Iron |
| Cover | - Ductile Iron |
| Straightening Vanes | - Integral Ductile Iron |
| Permanent Strainer | - Stainless Steel (304) |
| Disposable Start Up Strainer | - Bronze (16 Mesh) |
| Cover O-Ring | - EPDM |

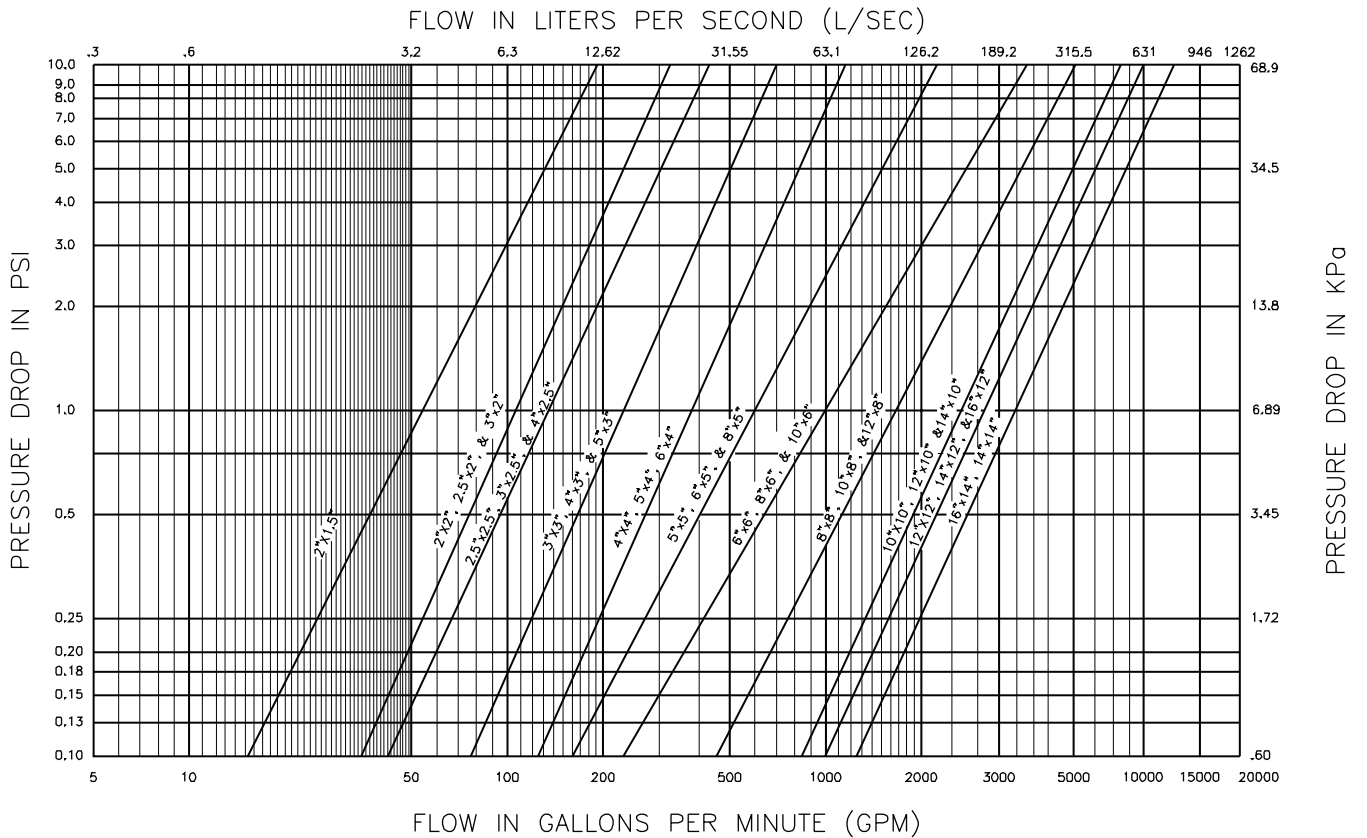
PRESSURE TEMPERATURE RATINGS



OPERATING SPECIFICATIONS

	Standard	Optional
Flange	Class 125*	Class 250*
Pressure	175 PSIG* (1210 KPA)	300 PSIG* (2070 KPA)
Temperature	250°F (120°C**)	250°F (120°C**)

* Per Pressure Temperature Ratings chart to left.



Do it Once. Do it Right.®

TACO, INC., 1160 Cranston Street, Cranston, RI 02920 Telephone: (401) 942-8000 FAX: (401) 942-2360.

TACO (Canada), Ltd., 8450 Lawson Road, Unit #3, Milton, Ontario L9T 0J8. Telephone: 905/564-9422. FAX: 905/564-9436.

Visit our web site at: <http://www.taco-hvac.com>

Printed in USA

Copyright 2013

TACO, Inc.