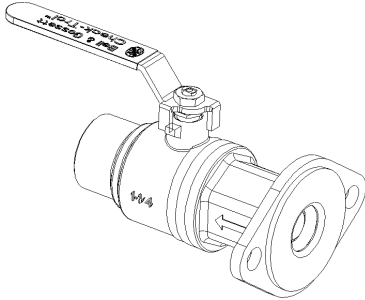


JOB:	REPRESENTATIVE:	
UNIT TAG:	ORDER NO.	DATE:
ENGINEER:	SUBMITTED BY:	DATE:
CONTRACTOR:	APPROVED BY:	DATE:



Check-Trol™

Isolation Flow Control Flange

DESCRIPTION

The Check-Trol flange is a combination of isolation valve, flow control valve, and companion flange for circulators. The ball valve allows the circulator to be removed from the system without draining the system. The internal spring check prevents gravity circulation. Free floating companion flange makes pump installation a snap.

The Check-Trol flange is packaged with an isolation flange of the same size to create a pair. Capscrews and nuts are included.

OPERATIONAL DATA

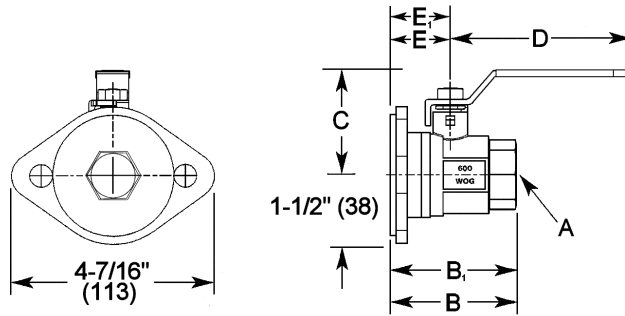
Maximum working pressure: 150 psig (10 bar)
 Maximum operating temperature: 200°F (93°C)

CONSTRUCTION

Valve Body: Brass
 Flange: Chrome Plated Steel
 Ball: Chrome Plated Brass
 Packing: Teflon*
 Seat Ring: Teflon
 Stem: Brass
 Spring Check: Nitrile, Acetal, Stainless Steel

*Teflon is a registered trademark of E.I. DuPont de Nemours and Company.

Part No.	Size Inches	Model	Use With Following B&G Circulators	Tagging	Quantity
101231	3/4" NPT x Flange	CTF-3/4	NRF/NBF/SSF, Series PL-30, PL-36, PL-55, Series 100, PR, and LR		
101232	1" NPT x Flange	CTF-1			
101233	1-1/4" NPT x Flange	CTF-1-1/4			
101245	1-1/2" NPT x Flange	CTF-1-1/2			
101236	3/4" SWT x Flange	CTFS-3/4	NRF/NBF/SSF, Series PL-30, PL-36, PL-55, Series 100, PR, and LR		
101237	1" SWT x Flange	CTFS-1			
101238	1-1/4" SWT x Flange	CTFS-1-1/4			
101247	1-1/2" SWT x Flange	CTFS-1-1/2			

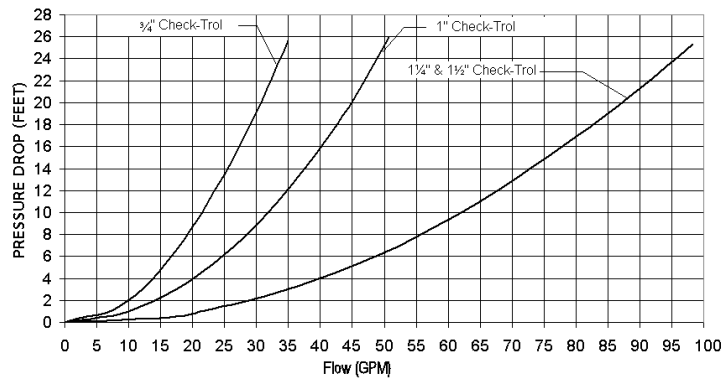


Part No.	A	B	B ₁ *	C	D	E	E ₁ *	Approx. Shpg. Wt. Lbs. (Kg)
101231	3/4" NPT	3" (76)	2-3/8" (60)	2-1/8" (54)	4" (102)	1-7/8" (48)	1-3/16" (30)	3.6 (1.6)
101232	1" NPT	3-13/16" (97)	2-3/4" (70)	2-5/16" (59)	4" (102)	2-3/8" (60)	1-5/16" (33)	4.3 (2.0)
101233	1-1/4" NPT	4-3/4" (120)	3-3/16" (81)	2-5/8" (67)	5" (127)	3" (78)	1-9/16" (40)	6.0 (2.7)
101245	1-1/2" NPT	4-13/16" (122)	3-1/4" (83)	2-5/8" (67)	5" (127)	3-1/8" (79)	1-9/16" (40)	6.5 (2.9)
101236	3/4" SWT	3-5/16" (84)	2-19/32" (66)	2-1/8" (54)	4" (102)	1-7/8" (48)	1-3/16" (30)	3.6 (1.6)
101237	1" SWT	4-1/4" (107)	3-11/64" (81)	2-5/16" (59)	4" (102)	2-3/8" (60)	1-5/16" (33)	4.3 (2.0)
101238	1-1/4" SWT	5-3/8" (136)	3-13/16" (97)	2-5/8" (67)	5" (127)	3" (78)	1-9/16" (40)	6.1 (2.8)
101247	1-1/2" SWT	5-1/2" (140)	3-15/16" (100)	2-5/8" (67)	5" (127)	3-1/8" (79)	1-9/16" (40)	6.5 (2.9)

Dimensions and weights are approximate and subject to change. Contact factory for certified dimensions . Check-Trol Flange is sold with an Isolation Flange as a pair.

* Dimensions B and E are for the Check-Trol only. Dimensions B₁ and E₁ are for the Isolation Flange only. Dimensions A, C, and D apply to both Check-Trol and Isolation Flange. The part numbers and shipping weights are for one Check-Trol Flange and one Isolation flange, capscrews and nuts.

PERFORMANCE CURVE



TYPICAL SPECIFICATIONS

Furnish and install on plans _____" NPT/Sweat x Flange Check-Trol Flange on the pump discharge. The Check-Trol Flange will prevent gravity circulation and flow in the wrong direction. When closed, it will provide positive shut-off. The mating flange shall be free floating allowing it to rotate eliminating the need to align the bolt holes of the flanges when installing to the piping system. The Check-Trol Flange shall be constructed with a brass body, chrome plated brass ball and flange, zinc plated handle, and teflon packing and seat ring and a non-ferrous check. The Check-Trol Flange shall be manufactured by ITT – Bell & Gossett or equal.

