

40KMQ03036 with 38QRF035
13 SEER In-Ceiling Cassette Systems
Performance™ Series Heat Pump
with Puron® Refrigerant



Turn to the Experts.™

Submittal Data

Job Data: _____ Location: _____

Buyer: _____ Buyer P.O.# _____ Carrier # _____

Unit Number: _____ Model Number: _____

Performance Data Certified By: _____ Date: _____



40KMQ



38QRF



FEATURES

- Available in 18-36k btu
- Cooling, heat pump & heat/cool systems
- Easier installation
- Adjacent room capable
- Filter options: photo catalytic and electrostatic
- Motorized louvers
- Electric Heat (3kw) standard on heat pump fan coils
- New control options - remote control, CRC
- Built-in condensate pump
- Diagnostics
- Low ambient to -20°F (with low ambient accessories)
- 7.7 HSPF
- Limited Warranty: 1-year on all parts/5-years on compressor

Indoor Unit - 40KMQ / Outdoor Unit - 38QRF

(Unless otherwise indicated, data applies to both indoor and outdoor models)

SYSTEM SIZE	036
REFRIGERANT	R-410A
OPERATING WEIGHT(lb)	
Indoor	95
Outdoor	250
PERFORMANCE	
Cooling Nominal Capacity (Btuh)	33,400
Heating Nominal Capacity (Btuh)	32,400
Nominal Cooling Capacity w/Heat (Btuh)	36,000
Outdoor (Tons)	3.0
SEER	13
HSPF	7.7
Airflow (Low/Med/High) (CFM)	670 / 760 / 910

ELECTRICAL	
System Voltage	208/230/1; 208/230-3; 460-3 VAC
Power Wires	12 AWG*
MCA (Indoor)	16.9
MCA (Outdoor)	22.3; 14.5; 8.7
MOCP (Indoor)	20
MOCP (Outdoor)	35; 20; 15
Fan Motor (Indoor) (FLA)	0.95
Motor Watts	210
CONTROLS	
Control Remote	Wired or Wireless
Control Voltage	24V
Control Wiring (connection between indoor and outdoor units)	22 AWG

REFRIGERANT LINES (Insulate both lines)	
Mixed Phase Line (in.) OD	3/8
Vapor Line (in.) OD	3/4
Metering/Control Device	Accurater

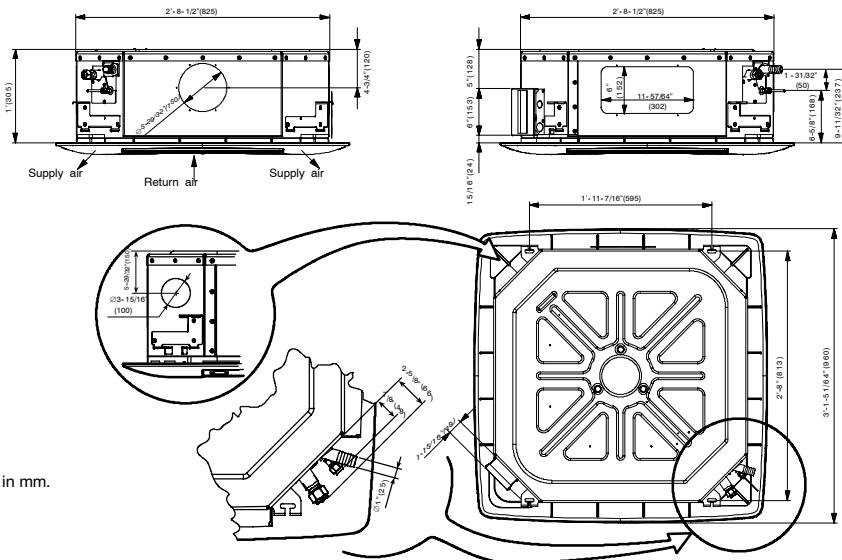
*Refer to NEC and local codes for compliance requirements.

Air Supply Outlet			
Obstruction Kit:	Standard <input type="checkbox"/>	Accessory <input type="checkbox"/>	Not Required <input type="checkbox"/>
Remote Control:	Standard <input type="checkbox"/>	Accessory <input type="checkbox"/>	Not Required <input type="checkbox"/>
Remote Control Locking Mounting Kit:	Standard <input type="checkbox"/>	Accessory <input type="checkbox"/>	Not Required <input type="checkbox"/>
Crankcase Heater:	Standard <input type="checkbox"/>	Accessory <input type="checkbox"/>	Not Required <input type="checkbox"/>
Low Ambient Kit:	Standard <input type="checkbox"/>	Accessory <input type="checkbox"/>	Not Required <input type="checkbox"/>
Winter Start Kit:	Standard <input type="checkbox"/>	Accessory <input type="checkbox"/>	Not Required <input type="checkbox"/>

Wind Baffle:	Standard <input type="checkbox"/>	Accessory <input type="checkbox"/>	Not Required <input type="checkbox"/>
Wired Room Control:	Standard <input type="checkbox"/>	Accessory <input type="checkbox"/>	Not Required <input type="checkbox"/>
Stacking Kit:	Standard <input type="checkbox"/>	Accessory <input type="checkbox"/>	Not Required <input type="checkbox"/>
Room Control Wiring Kit for Multiple Units:	Standard <input type="checkbox"/>	Accessory <input type="checkbox"/>	Not Required <input type="checkbox"/>
Grille (in-ceiling cassette):	Standard <input type="checkbox"/>	Accessory <input type="checkbox"/>	Not Required <input type="checkbox"/>
Zone Manager:	Standard <input type="checkbox"/>	Accessory <input type="checkbox"/>	Not Required <input type="checkbox"/>
Zone Manager Wiring Kit:	Standard <input type="checkbox"/>	Accessory <input type="checkbox"/>	Not Required <input type="checkbox"/>
Isolation Relay:	Standard <input type="checkbox"/>	Accessory <input type="checkbox"/>	Not Required <input type="checkbox"/>

UNIT DIMENSIONS – INDOOR MODEL

UNIT SIZE	INDOOR MODEL	WIDTH (IN.)	HEIGHT (IN.)	DEPTH (IN.)
036	40KMQ03036---3	33	12	33
036	40KMQ03036---5	33	12	33
036	40KMQ03036---6	33	12	33



NOTE: Dimensions in () are in mm.

Fig. 1 – 40KMQ UNIT DIMENSIONS

UNIT DIMENSIONS – OUTDOOR MODEL

UNIT SIZE	OUTDOOR MODEL	WIDTH (IN.)			HEIGHT (IN.)		DEPTH (IN.)	
		A	B	C	B	C		
035	38QRF035---3	45	38	17	38	17	17	
035	38QRF035---5	45	38	17	38	17	17	
035	38QRF035---6	45	38	17	38	17	17	

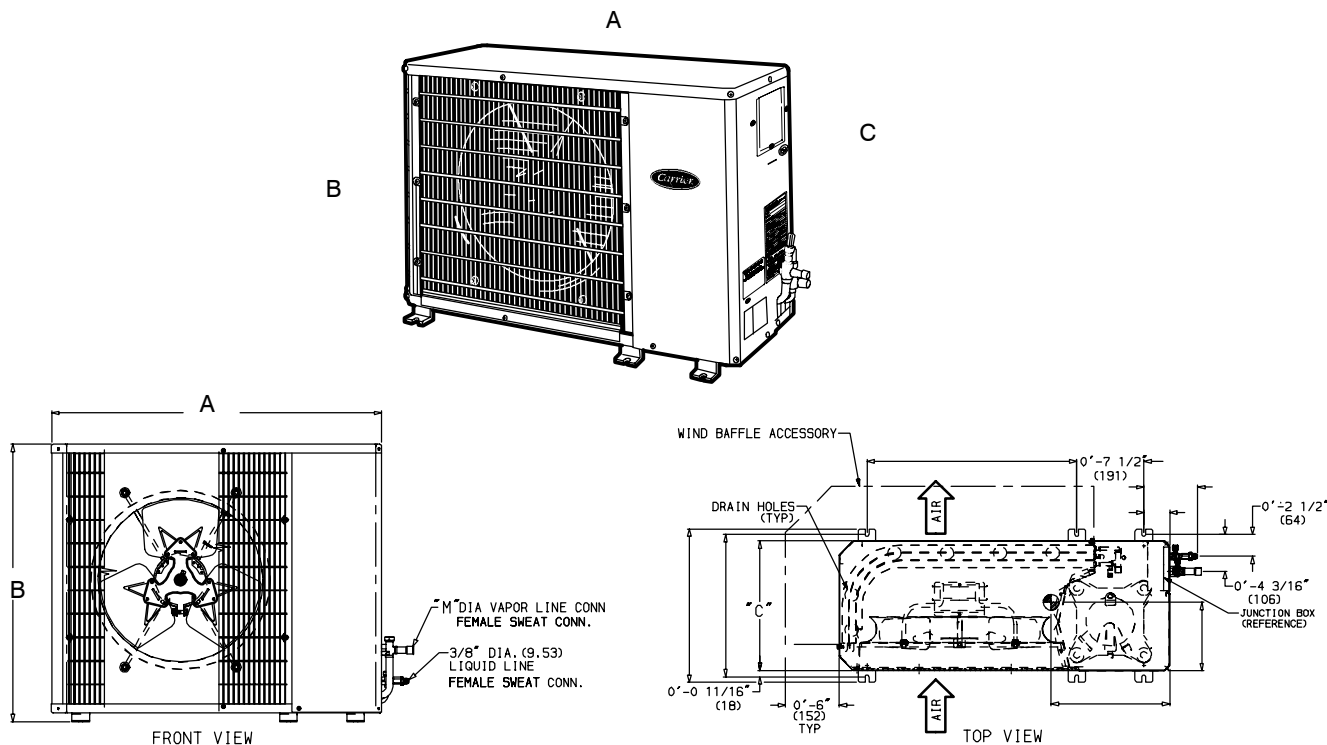


Fig. 2 – 38QRF UNIT DIMENSIONS