

# VRF Indoor Unit 40VMF036---3 — 4-Way Cassette



## Submittal Data

Job Data \_\_\_\_\_ Location \_\_\_\_\_  
 Buyer \_\_\_\_\_ Buyer PO # \_\_\_\_\_ Carrier # \_\_\_\_\_  
 Unit Number \_\_\_\_\_ Model Number \_\_\_\_\_  
 Performance Data Certified By \_\_\_\_\_ Date \_\_\_\_\_



### STANDARD FEATURES

- Delivers air in all four directions
- Knock Out for OA Opening
- Louver Control (Fixed or Swing)
- Three Fan Speeds – High, Medium and Low
- Built-in Condensate Lift Mechanism
- Built-in EXV (Electronic Expansion Valve) for Installation Ease

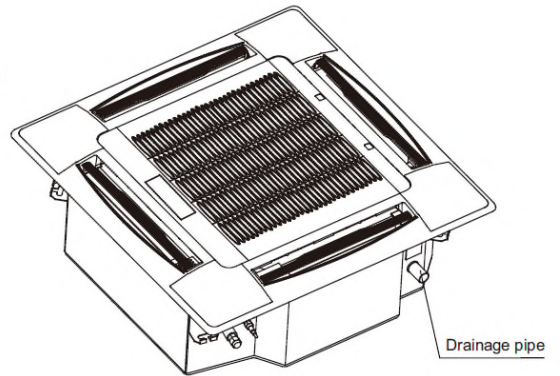
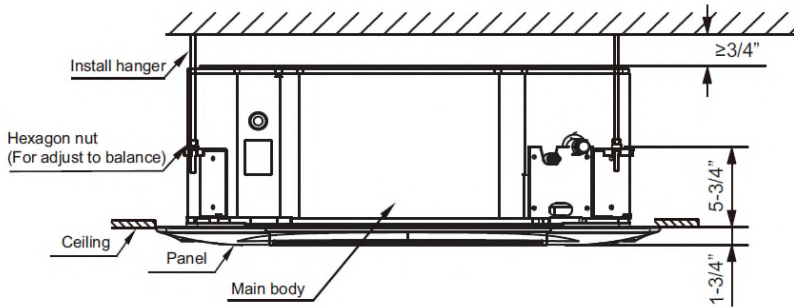
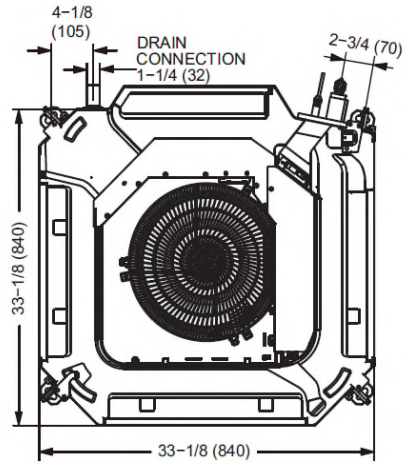
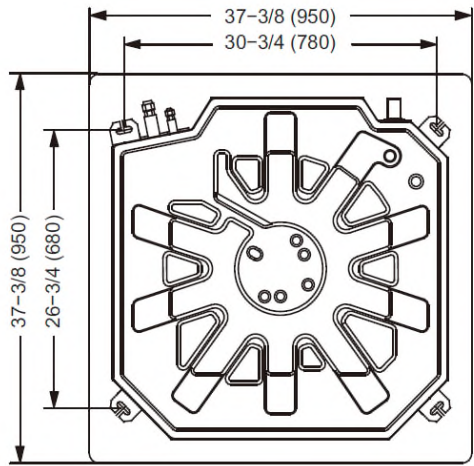
Indoor Unit Model		40VMF036---3
<b>PERFORMANCE</b>		
Cooling Rated Capacity	Btu/h	36,000
Heating Rated Capacity	Btu/h	40,000
Airflow (H / M / L)	CFM	950 / 850 / 700
Sound Pressure (H / M / L)	dBA	46.7 / 43.9 / 39.9
<b>ELECTRICAL</b>		
Power Supply	V/Ph/Hz	208-230/1/60
Indoor Fan Motor Power Consumption (Input)	W	75
Minimum Circuit Amps	A	2.08
Maximum Overcurrent Protection	A	15
Motor Type		DC

<b>PHYSICAL DATA</b>		
Pipe Connection Size - Liquid	in.	3/8 (OD)
Pipe Connection Size - Suction	in.	5/8 (OD)
Pipe Connection Size - Drain	in.	1-1/4 (OD)
Refrigerant		R-410A
Unit Width	in.	33-1/8
Unit Height	in.	9
Unit Depth	in.	33-1/8
Unit Net Weight	lbs.	64
Panel Width	in.	37-3/8
Panel Height	in.	1-3/4
Panel Depth	in.	37-3/8
Panel Net Weight	lbs.	13.2

### ACCESSORIES (Optional)

- Wireless Remote Controller 40VM900001
- Wired Remote Controller - Non-Prog. 40VM900002
- Wired Remote Controller - Prog. 40VM900003
- Centralized Controller 40VM900004
- Touch Screen Wired Controller 40VM900005
- Touch Screen Central Controller 40VM900006

# DIMENSIONAL DRAWING INDOOR UNIT 4-WAY CASSETTE 40VMF036---3



40VMF UNIT SIZE	DIMENSION (in.)
	A
036	11-3/4

NOTE: All dimensions shown in inches.

