



VERTICAL EVAPORATOR COILS

ALL N COIL MODELS

- 1½ thru 5 Tons
- Available for environmentally sound R-410A systems
- Copper tube / aluminum fin "N" coil with latest high-tech fin design
- Bolt-on TXV metering device factory installed on all models (equalizer tube brazed in)
- Available with industry exclusive tin coated copper main tubing for additional corrosion protection
- Two condensate drain connections

CASED N COILS

- Removable front access panel
- Hemmed flanges for safer handling
- Foil faced insulation
- Non-sweat cabinet, even at extreme conditions
- Cabinets meet or exceed 2% air leakage codes
- Sturdy, pre-painted steel cabinet

END4X

- Upflow or downflow installation
- Compact design, shorter than comparable A-coils
- Cabinet widths match flush with ICP 14-3/16", 17-1/2", 21" and 24-1/2" gas furnace cabinets (field fabricated transitions required to match other ICP furnace models)

ENW4X

- Upflow or downflow installation
- Drainpan raised 2" (51mm) and block-off plate factory installed — for installing wider coil on narrower furnace

UNCASED N COILS

ENA4X

- Upflow or downflow installation

WARRANTY*

- 5 year parts limited warranty
 - With timely registration, an additional 5 year parts limited warranty

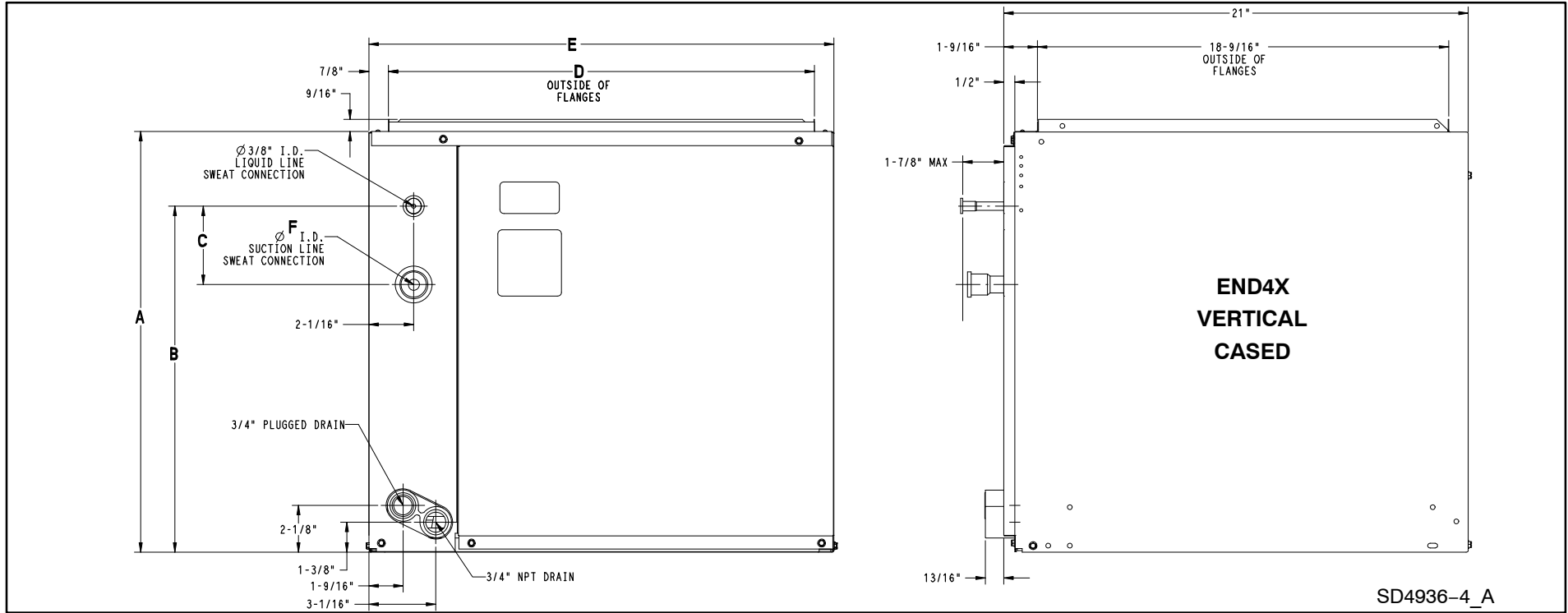
* Applies to original purchaser/homeowner, some limitations may apply. See Warranty certificate for complete details.



Use of the AHRI Certified TM Mark indicates a manufacturer's participation in the program. For verification of certification for individual products, go to www.ahridirectory.org.



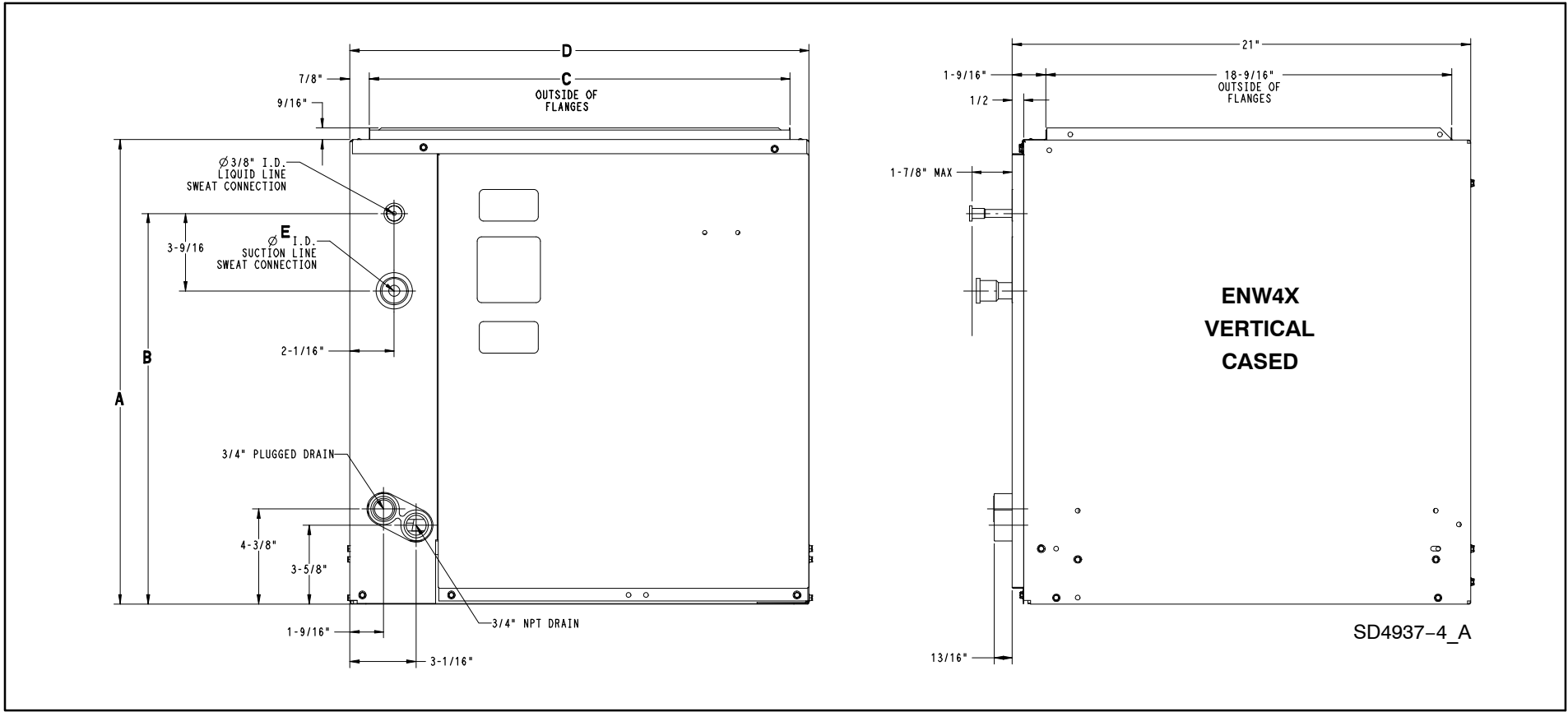
| COIL MODEL NUMBER IDENTIFICATION GUIDE | | | | | | | | | | |
|--|----------|----------|----------|----------|----------|-----------|----------|-----------|----------|----------|
| Digit Position | 1 | 2 | 3 | 4 | 5 | 6,7 | 8 | 9,10 | 11 | 12 |
| | E | N | D | 4 | X | 18 | C | 14 | A | 1 |
| <p>E = Evaporator</p> <p>B = Builder</p> <p>D = Standard</p> <p>N = N Coil</p> <p>TYPE</p> <p>A = Uncased</p> <p>D = Cased Upflow/Downflow</p> <p>M = Cased Multiposition (Upflow/Downflow/Horizontal)</p> <p>W = Cased Upflow/Downflow for narrower furnaces</p> <p>H = Cased Horizontal</p> <p>INSTALLATION</p> <p>4 = Environmentally Sound R-410A</p> <p>REFRIGERANT</p> <p>P = Piston</p> <p>X = TXV</p> <p>METERING DEVICE</p> <p>18 = 18,000 BTUH = 1½ tons</p> <p>19 = 18,000 BTUH = 1½ tons</p> <p>24 = 24,000 BTUH = 2 tons</p> <p>30 = 30,000 BTUH = 2½ tons</p> <p>31 = 30,000 BTUH = 2½ tons</p> <p>36 = 36,000 BTUH = 3 tons</p> <p>37 = 36,000 BTUH = 3 tons</p> <p>42 = 42,000 BTUH = 3½ tons</p> <p>43 = 42,000 BTUH = 3½ tons</p> <p>48 = 48,000 BTUH = 4 tons</p> <p>60 = 60,000 BTUH = 5 tons</p> <p>61 = 60,000 BTUH = 5 tons</p> <p>NOMINAL CAPACITY</p> <p>C = Plain Copper</p> <p>T = Tin Coated Copper</p> <p>HAIRPIN MATERIAL</p> <p>14 = 14-3/16"</p> <p>17 = 17-1/2"</p> <p>21 = 21"</p> <p>24 = 24-1/2"</p> <p>WIDTH</p> <p>Sales Digit (Major Revision)</p> <p>Engineering Digit (Minor Revision)</p> | | | | | | | | | | |



DIMENSIONAL DATA — END4X

| Model | Size (tons) | Inches – English (MM – SI Metric) | | | | | | Shipping Weight lbs (kg) | |
|------------|-------------|-----------------------------------|----------------|--------------|--------------|---------------|----------|--------------------------|----------|
| | | A | B | C | D | E | F | C model* | T model* |
| END4X18*14 | 1-1/2 | 12-5/8 (321) | 10-1/16 (256) | 5-5/16 (135) | 12-1/2 (318) | 14-3/16 (360) | 5/8 (16) | 36 (16) | 39 (18) |
| END4X19*17 | 1-1/2 | 17 (432) | 13-7/8 (352) | 3-9/16 (91) | 15-3/4 (400) | 17-1/2 (445) | 3/4 (19) | 36 (16) | 39 (18) |
| END4X24*14 | 2 | 14-5/8 (372) | 12-1/16 (306) | 5-5/16 (135) | 12-1/2 (318) | 14-3/16 (360) | 5/8 (16) | 40 (18) | 40 (18) |
| END4X24*17 | 2 | 14-5/8 (372) | 10-1/16 (256) | 3-9/16 (91) | 15-3/4 (400) | 17-1/2 (445) | 5/8 (16) | 40 (18) | 43 (19) |
| END4X30*14 | 2-1/2 | 17 (432) | 13-5/8 (346) | 5-5/16 (135) | 12-1/2 (318) | 14-3/16 (360) | 3/4 (19) | 47 (21) | 50 (22) |
| END4X30*17 | 2-1/2 | 17 (432) | 13-7/8 (352) | 3-9/16 (91) | 15-3/4 (400) | 17-1/2 (445) | 3/4 (19) | 47 (21) | 50 (22) |
| END4X31*17 | 2-1/2 | 23-1/4 (591) | 17-1/2 (445) | 3-9/16 (91) | 15-3/4 (400) | 17-1/2 (445) | 3/4 (19) | 46 (21) | 50 (22) |
| END4X36*17 | 3 | 17 (432) | 13-7/8 (352) | 3-9/16 (91) | 15-3/4 (400) | 17-1/2 (445) | 3/4 (19) | 49 (22) | 51 (23) |
| END4X36*21 | 3 | 17 (432) | 13-9/16 (345) | 3-9/16 (91) | 19-1/4 (489) | 21 (533) | 3/4 (19) | 48 (22) | 51 (23) |
| END4X37*17 | 3 | 27-3/16 (691) | 17-1/2 (445) | 3-9/16 (91) | 15-3/4 (400) | 17-1/2 (445) | 7/8 (22) | 45 (21) | 52 (24) |
| END4X42*17 | 3-1/2 | 21-1/8 (537) | 13-7/8 (352) | 3-9/16 (91) | 15-3/4 (400) | 17-1/2 (445) | 7/8 (22) | 52 (24) | 55 (25) |
| END4X42*21 | 3-1/2 | 19 (483) | 15-5/8 (397) | 3-9/16 (91) | 19-1/4 (489) | 21 (533) | 7/8 (22) | 57 (26) | 60 (27) |
| END4X43*24 | 3-1/2 | 26-5/16 (669) | 17-15/16 (456) | 3-9/16 (91) | 22-3/4 (578) | 24-1/2 (622) | 7/8 (22) | 58 (26) | 60 (27) |
| END4X48*21 | 4 | 22-1/16 (560) | 17-1/2 (445) | 3-9/16 (91) | 19-1/4 (489) | 21 (533) | 7/8 (22) | 66 (30) | 69 (31) |
| END4X48*24 | 4 | 22-1/16 (560) | 17-1/4 (438) | 3-9/16 (91) | 22-3/4 (578) | 24-1/2 (622) | 7/8 (22) | 62 (28) | 65 (30) |
| END4X60*24 | 5 | 26-7/8 (683) | 17-15/16 (456) | 3-9/16 (91) | 22-3/4 (578) | 24-1/2 (622) | 7/8 (22) | 78 (35) | 81 (37) |
| END4X61*24 | 5 | 32-7/16 (824) | 17-15/16 (456) | 3-9/16 (91) | 22-3/4 (578) | 24-1/2 (622) | 7/8 (22) | 84 (38) | 87 (39) |

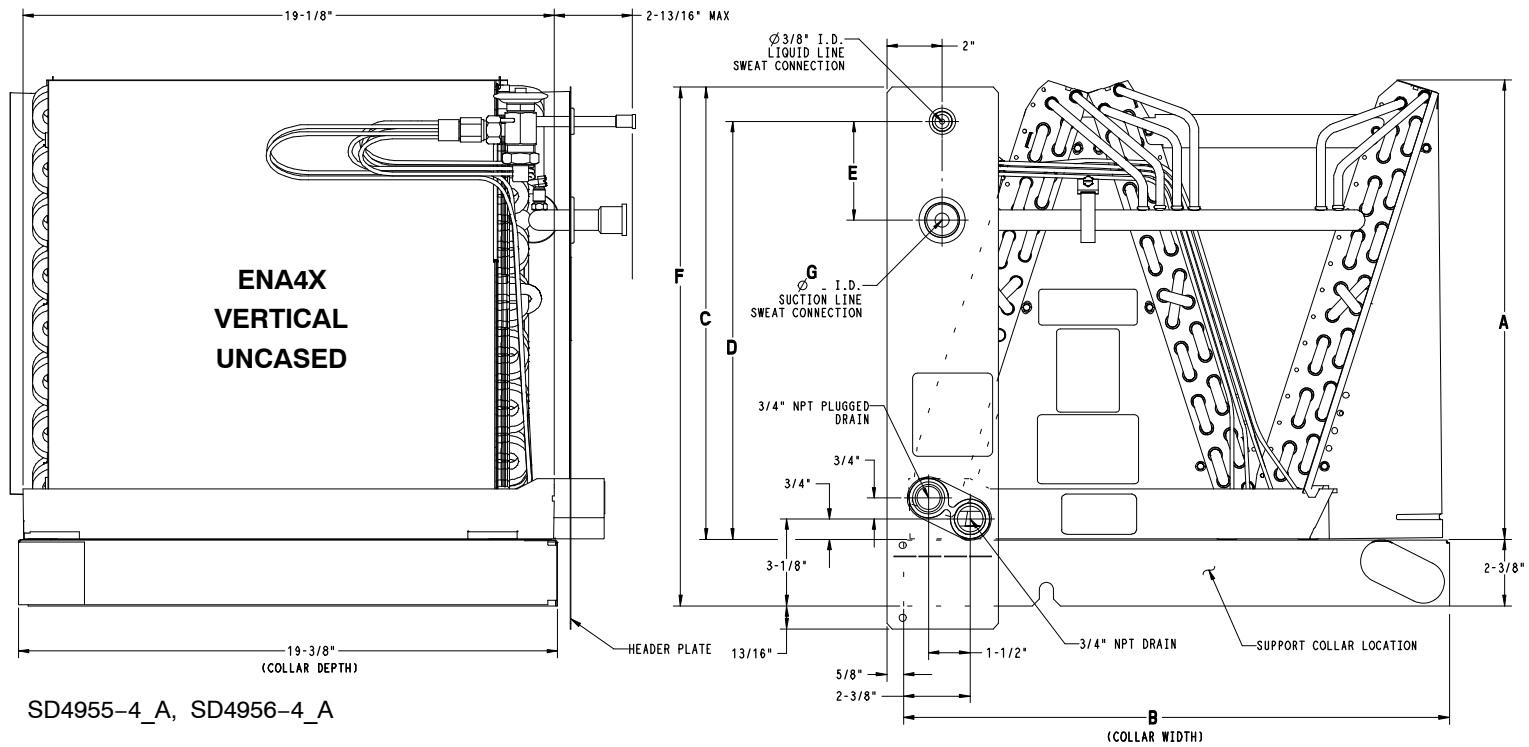
* C= Plain Copper, T= Tin Coated Copper



DIMENSIONAL DATA — ENW4X

| Model | Size (tons) | Inches – English (MM – SI Metric) | | | | | Shipping Weight lbs (kg) | |
|------------|-------------|-----------------------------------|---------------|--------------|--------------|----------|--------------------------|----------|
| | | A | B | C | D | E | C model* | T model* |
| ENW4X36*17 | 3 | 19-13/16 (503) | 16-1/8 (410) | 15-3/4 (400) | 17-1/2 (445) | 3/4 (19) | 49 (22) | 51 (23) |
| ENW4X42*21 | 3-1/2 | 21-13/16 (554) | 17-7/8 (454) | 19-1/4 (489) | 21 (533) | 7/8 (22) | 62 (28) | 65 (29) |
| ENW4X48*21 | 4 | 24-7/8 (632) | 19-3/4 (502) | 19-1/4 (489) | 21 (533) | 7/8 (22) | 71 (32) | 74 (33) |
| ENW4X60*24 | 5 | 29-1/8 (740) | 20-3/16 (513) | 22-3/4 (578) | 24-1/2 (622) | 7/8 (22) | 78 (35) | 81 (37) |

* C= Plain Copper, T= Tin Coated Copper

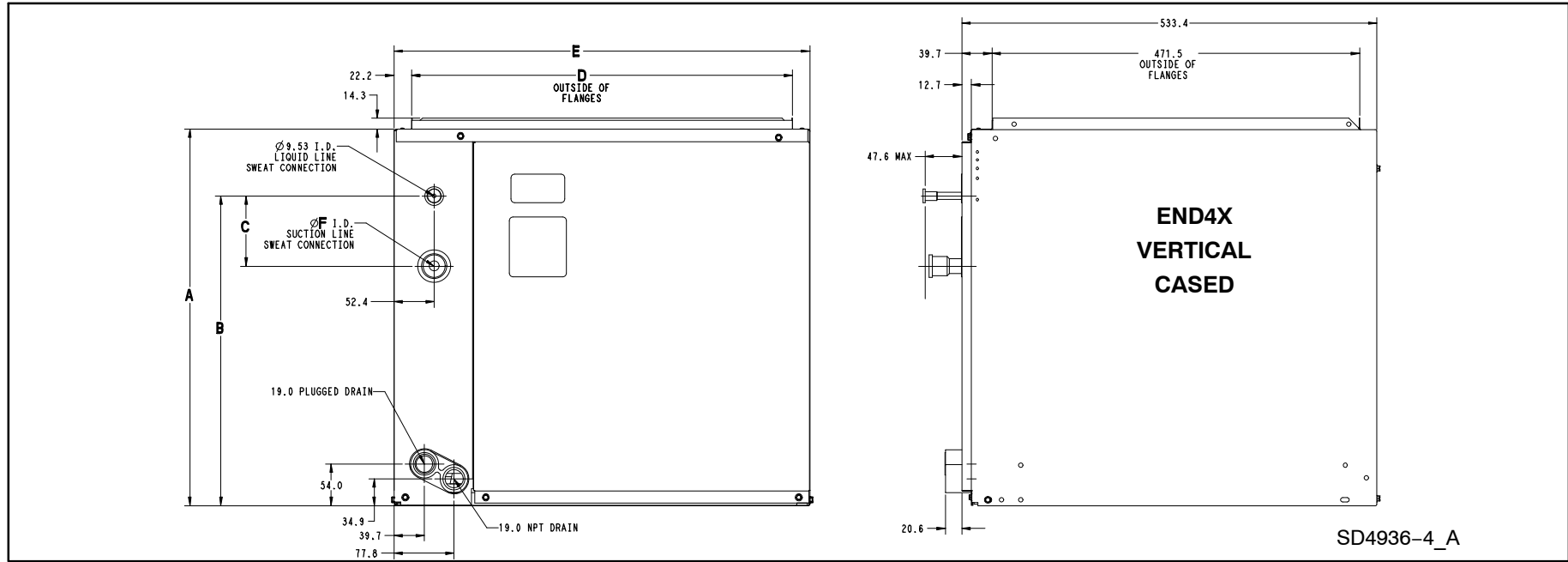


DIMENSIONAL DATA — ENA4X

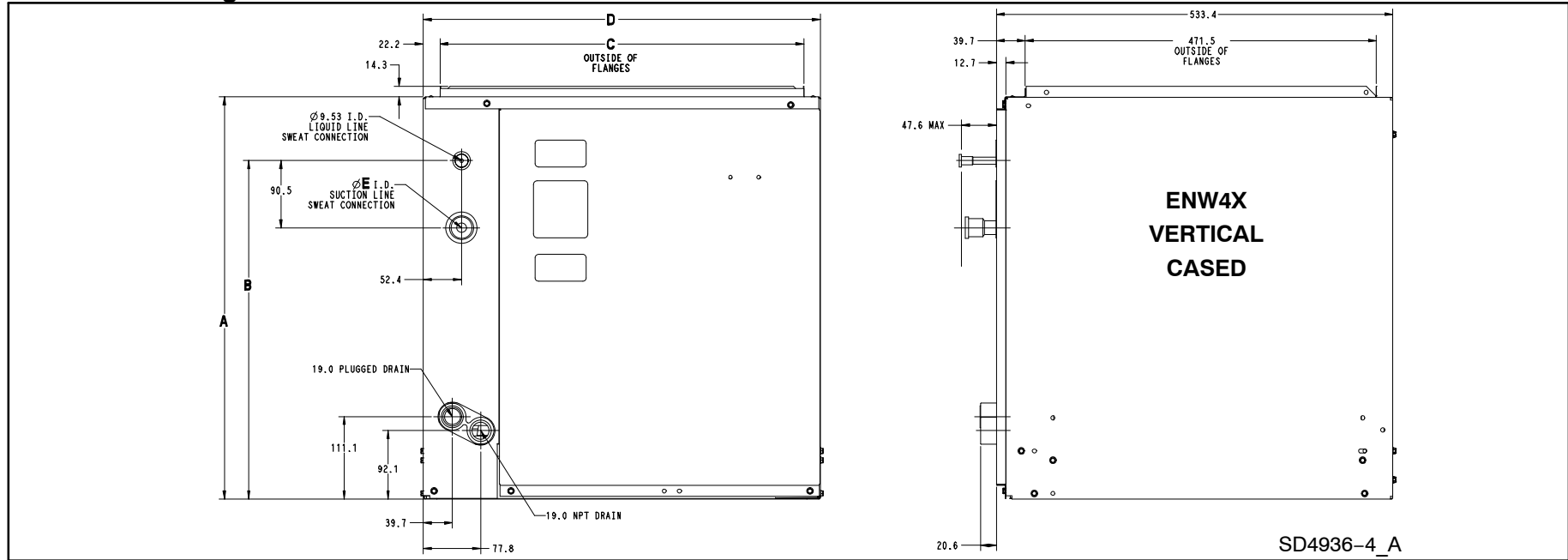
| Model | Size (tons) | Inches – English (MM – SI Metric) | | | | | | | Shipping Weight lbs (kg) | |
|------------|-------------|-----------------------------------|------------------|---------------|----------------|--------------|----------------|----------|--------------------------|----------|
| | | A | B (Collar Width) | C | D | E | F | G | C model* | T model* |
| ENA4X18*14 | 1-1/2 | 10-7/8 (276) | 12-7/8 (327) | 10-5/8 (270) | 9-3/8 (238) | 5-5/16 (135) | 13 (330) | 5/8 (16) | 17 (8) | 20 (9) |
| ENA4X19*17 | 1-1/2 | 14-11/16 (373) | 16-1/4 (413) | 14-1/2 (369) | 13-1/4 (337) | 3-9/16 (91) | 16-15/16 (429) | 3/4 (19) | 34 (16) | 34 (16) |
| ENA4X24*14 | 2 | 12-7/8 (327) | 12-7/8 (327) | 12-5/8 (321) | 11-7/16 (291) | 5-5/16 (135) | 15 (381) | 5/8 (16) | 21 (10) | 24 (11) |
| ENA4X24*17 | 2 | 12-11/16 (322) | 16-1/4 (413) | 10-5/8 (270) | 9-3/8 (238) | 3-9/16 (91) | 13 (330) | 5/8 (16) | 22 (10) | 25 (11) |
| ENA4X30*14 | 2-1/2 | 14-7/8 (378) | 12-7/8 (327) | 14-3/16 (360) | 13 (330) | 5-5/16 (135) | 16-9/16 (421) | 3/4 (19) | 23 (10) | 26 (12) |
| ENA4X30*17 | 2-1/2 | 14-11/16 (373) | 16-1/4 (413) | 14-7/16 (367) | 13-1/4 (337) | 3-9/16 (91) | 16-13/16 (427) | 3/4 (19) | 24 (11) | 27 (12) |
| ENA4X31*17 | 2-1/2 | 20-3/4 (527) | 16-1/4 (413) | 18-1/16 (459) | 16-13/16 (427) | 3-9/16 (91) | 20-7/16 (519) | 3/4 (19) | 43 (20) | 43 (20) |
| ENA4X36*17 | 3 | 14-11/16 (373) | 16-1/4 (413) | 14-7/16 (367) | 13-1/4 (337) | 3-9/16 (91) | 16-13/16 (427) | 3/4 (19) | 26 (12) | 29 (13) |
| ENA4X36*21 | 3 | 14-7/16 (367) | 19-5/8 (499) | 14-7/16 (367) | 12-15/16 (329) | 3-9/16 (91) | 16-5/8 (422) | 3/4 (19) | 27 (12) | 30 (13) |
| ENA4X37*17 | 3 | 24-3/4 (629) | 16-1/4 (413) | 18-1/16 (459) | 16-13/16 (427) | 3-9/16 (91) | 20-7/16 (519) | 7/8 (22) | 51 (23) | 51 (23) |
| ENA4X42*21 | 3-1/2 | 16-1/2 (419) | 19-5/8 (499) | 16-3/16 (411) | 15 (381) | 3-9/16 (91) | 18-9/16 (472) | 7/8 (22) | 29 (13) | 32 (14) |
| ENA4X43*24 | 3-1/2 | 24-3/8 (619) | 23-1/8 (587) | 18-9/16 (472) | 17-5/16 (440) | 3-9/16 (91) | 20-15/16 (532) | 7/8 (22) | 57 (26) | 57 (26) |
| ENA4X48*21 | 4 | 20-9/16 (522) | 19-5/8 (499) | 18-1/16 (459) | 16-7/8 (429) | 3-9/16 (91) | 20-7/16 (519) | 7/8 (22) | 33 (15) | 36 (16) |
| ENA4X48*24 | 4 | 20-5/16 (516) | 23-1/8 (587) | 17-7/8 (454) | 16-5/8 (422) | 3-9/16 (91) | 20-1/4 (514) | 7/8 (22) | 34 (15) | 37 (16) |
| ENA4X60*24 | 5 | 24-3/8 (619) | 23-1/8 (587) | 18-1/2 (470) | 17-5/16 (440) | 3-9/16 (91) | 20-7/8 (530) | 7/8 (22) | 35 (16) | 38 (17) |
| ENA4X61*24 | 5 | 30-1/2 (774) | 23-1/8 (587) | 18-9/16 (472) | 17-5/16 (440) | 3-9/16 (91) | 20-15/16 (532) | 7/8 (22) | 66 (30) | 66 (30) |

* C= Plain Copper, T= Tin Coated Copper

SI Metric Drawing – END4X

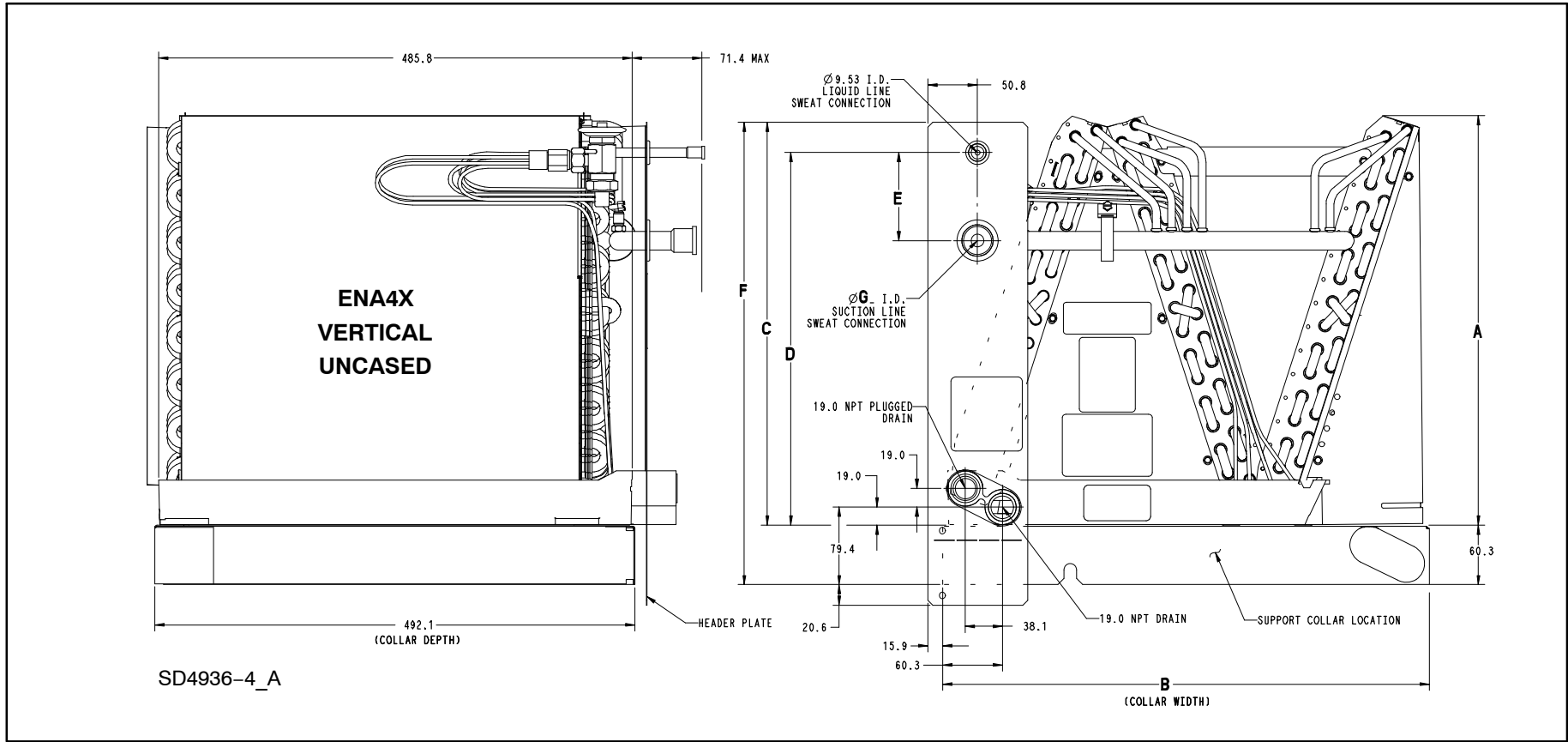


SI Metric Drawing – ENW4X



Specifications subject to change without notice.

SI Metric Drawing - ENA4X



PHYSICAL DATA

| END4X | Model Size | | | | | | | | | | | |
|---|------------------------|------------------------|------------------------|------------------------|------------------------|------------------------|------------------------|------------------------|------------------------|------------------------|------------------------|------------------------|
| | 18*14 | 19*17 | 24*(14,17) | 30*(14,17) | 31*17 | 36*(17,21) | 37*17 | 42*(17,21) | 43*24 | 48*(21,24) | 60*24 | 61*24 |
| Nominal Acceptable CFM Range | | | | | | | | | | | | |
| CFM (L/s) – min | 525 (248) | | 700 (330) | 875 (413) | | 1050 (496) | | 1225 (578) | | 1400 (661) | 1750 (826) | |
| CFM (L/s) – max | 625 (295) | | 900 (425) | 1125 (531) | | 1350 (637) | | 1600 (755) | | 1800 (849) | 2000 (944) | |
| Coil Data (all coils 2 slab "A" configuration, lanced sine wave bare aluminum fin) | | | | | | | | | | | | |
| Face Area ft ² (m ²) | 3.34 (0.31) | 4.68 (0.43) | 4.01 (0.37) | 4.68 (0.43) | 6.68 (0.62) | 4.68 (0.43) | 8.02 (0.75) | 5.35 (0.50) | 8.02 (0.75) | 6.68 (0.62) | 8.02 (0.75) | 10.03 (0.93) |
| Each Slab H x L in. (mm) | 10 x 16 (254 x 406) | 14 x 16 (355 x 406) | 12 x 16 (305 x 406) | 12 x 16 (305 x 406) | 20 x 16 (508 x 406) | 14 x 16 (355 x 406) | 24 x 16 (610 x 406) | 16 x 16 (406 x 406) | 24 x 16 (610 x 406) | 20 x 16 (508 x 406) | 24 x 16 (610 x 406) | 30 x 16 (762 x 406) |
| Fins Per Inch | 17 | 16 | 16 | 16 | 16 | 16 | 17 | 16 | 17 | 16 | 17 | |
| Refrigerant Line Connections (sweat) | | | | | | | | | | | | |
| Liquid in. (mm) | 3/8 (10) | 3/8 (10) | 3/8 (10) | 3/8 (10) | 3/8 (10) | 3/8 (10) | 3/8 (10) | 3/8 (10) | 3/8 (10) | 3/8 (10) | 3/8 (10) | 3/8 (10) |
| Suction in. (mm) | 5/8 (16) | 3/4 (19) | 3/4 (19) | 3/4 (19) | 7/8 (22) | 3/4 (19) | 7/8 (22) | 7/8 (22) | 7/8 (22) | 7/8 (22) | 7/8 (22) | 7/8 (22) |

PHYSICAL DATA

| ENW4X | Model Size | | | | | | | | |
|---|------------------------|--|-------|--|------------------------|--|------------------------|--|------------------------|
| | 36*17 | | 42*21 | | 48*21 | | 60*24 | | |
| Nominal Acceptable CFM Range | | | | | | | | | |
| CFM (L/s) – min | 1050 (496) | | | | 1225 (578) | | 1400 (661) | | 1750 (826) |
| CFM (L/s) – max | 1350 (637) | | | | 1600 (755) | | 1800 (849) | | 2000 (944) |
| Coil Data (all coils 2 slab "A" configuration, lanced sine wave bare aluminum fin) | | | | | | | | | |
| Face Area ft ² (m ²) | 4.68 (0.43) | | | | 5.35 (0.50) | | 6.68 (0.62) | | 8.02 (0.75) |
| Each Slab H x L in. (mm) | 14 x 16 (355 x 406) | | | | 16 x 16 (406 x 406) | | 20 x 16 (508 x 406) | | 24 x 16 (610 x 406) |
| Fins Per Inch | 16 | | | | 16 | | 16 | | 17 |
| Refrigerant Line Connections (sweat) | | | | | | | | | |
| Liquid in. (mm) | 3/8 (10) | | | | 3/8 (10) | | 3/8 (10) | | 3/8 (10) |
| Suction in. (mm) | 3/4 (19) | | | | 7/8 (22) | | 7/8 (22) | | 7/8 (22) |

PHYSICAL DATA

| ENA4X | Model Size | | | | | | | | | | | |
|---|------------------------|------------------------|------------------------|------------------------|------------------------|------------------------|------------------------|------------------------|------------------------|------------------------|------------------------|------------------------|
| | 18*14 | 19*17 | 24*(14,17) | 30*(14,17) | 31*17 | 36*(17,21) | 37*17 | 42*21 | 43*24 | 48*(21,24) | 60*24 | 61*24 |
| Nominal Acceptable CFM Range | | | | | | | | | | | | |
| CFM (L/s) – min | 525 (248) | | 700 (330) | 875 (413) | | 1050 (496) | | 1225 (578) | | 1400 (661) | 1750 (826) | |
| CFM (L/s) – max | 625 (295) | | 900 (425) | 1125 (531) | | 1350 (637) | | 1600 (755) | | 1800 (849) | 2000 (944) | |
| Coil Data (all coils 2 slab "A" configuration, lanced sine wave bare aluminum fin) | | | | | | | | | | | | |
| Face Area ft ² (m ²) | 3.34 (0.31) | 4.68 (0.43) | 4.01 (0.37) | 4.68 (0.43) | 6.68 (0.62) | 4.68 (0.43) | 8.02 (0.75) | 5.35 (0.50) | 8.02 (0.75) | 6.68 (0.62) | 8.02 (0.75) | 10.03 (0.93) |
| Each Slab H x L in. (mm) | 10 x 16 (254 x 406) | 14 x 16 (355 x 406) | 12 x 16 (305 x 406) | 12 x 16 (305 x 406) | 14 x 16 (356 x 406) | 14 x 16 (355 x 406) | 24 x 16 (610 x 406) | 16 x 16 (406 x 406) | 24 x 16 (610 x 406) | 20 x 16 (508 x 406) | 24 x 16 (610 x 406) | 30 x 16 (762 x 406) |
| Fins Per Inch | 17 | 16 | 16 | 16 | 16 | 16 | 17 | 16 | 17 | 16 | 17 | |
| Refrigerant Line Connections (sweat) | | | | | | | | | | | | |
| Liquid in. (mm) | 3/8 (10) | 3/8 (10) | 3/8 (10) | 3/8 (10) | 3/8 (10) | 3/8 (10) | 3/8 (10) | 3/8 (10) | 3/8 (10) | 3/8 (10) | 3/8 (10) | 3/8 (10) |
| Suction in. (mm) | 5/8 (16) | 3/4 (19) | 3/4 (19) | 3/4 (19) | 7/8 (22) | 3/4 (19) | 7/8 (22) | 7/8 (22) | 7/8 (22) | 7/8 (22) | 7/8 (22) | 7/8 (22) |

| COIL STATIC PRESSURE DROP (in. w.c.) | | | | | | | | | | | | | | | | | | | | |
|--------------------------------------|--------------|-------|-------|-------|-------|-------|-------|-------|-------|-------|-------|-------|-------|-------|-------|-------|-------|-------|-------|--|
| UNIT SIZE | Standard CFM | | | | | | | | | | | | | | | | | | | |
| | 400 | 500 | 600 | 700 | 800 | 900 | 1000 | 1100 | 1200 | 1300 | 1400 | 1500 | 1600 | 1700 | 1800 | 1900 | 2000 | 2100 | 2200 | |
| 18*14 | Dry | | | | | | | | | | | | | | | | | | | |
| | 0.078 | 0.114 | 0.156 | 0.198 | 0.253 | | | | | | | | | | | | | | | |
| 19*17 | Wet | | | | | | | | | | | | | | | | | | | |
| | 0.096 | 0.138 | 0.183 | 0.213 | 0.277 | | | | | | | | | | | | | | | |
| 24*14 | Dry | | | | | | | | | | | | | | | | | | | |
| | 0.070 | 0.103 | 0.143 | 0.182 | 0.233 | 0.290 | 0.354 | | | | | | | | | | | | | |
| 24*17 | Wet | | | | | | | | | | | | | | | | | | | |
| | 0.089 | 0.128 | 0.171 | 0.214 | 0.269 | 0.336 | 0.413 | | | | | | | | | | | | | |
| 30*14 | Dry | | | | | | | | | | | | | | | | | | | |
| | 0.048 | 0.068 | 0.090 | 0.112 | 0.140 | 0.170 | 0.203 | | | | | | | | | | | | | |
| 30*17 | Wet | | | | | | | | | | | | | | | | | | | |
| | 0.064 | 0.091 | 0.122 | 0.150 | 0.188 | 0.224 | 0.263 | | | | | | | | | | | | | |
| 31*17 | Dry | | | | | | | | | | | | | | | | | | | |
| | 0.065 | 0.097 | 0.135 | 0.173 | 0.223 | 0.278 | 0.339 | 0.405 | 0.478 | | | | | | | | | | | |
| 31*17 | Wet | | | | | | | | | | | | | | | | | | | |
| | 0.078 | 0.114 | 0.160 | 0.206 | 0.260 | 0.321 | 0.388 | 0.461 | 0.540 | | | | | | | | | | | |
| 36*17 | Dry | | | | | | | | | | | | | | | | | | | |
| | 0.042 | 0.060 | 0.080 | 0.102 | 0.128 | 0.157 | 0.188 | 0.222 | 0.259 | | | | | | | | | | | |
| 36*17 | Wet | | | | | | | | | | | | | | | | | | | |
| | 0.055 | 0.076 | 0.104 | 0.127 | 0.158 | 0.190 | 0.225 | 0.266 | 0.309 | | | | | | | | | | | |
| 36*21 | Dry | | | | | | | | | | | | | | | | | | | |
| | 0.031 | 0.046 | 0.063 | 0.083 | 0.105 | 0.130 | 0.156 | 0.193 | 0.230 | | | | | | | | | | | |
| 36*21 | Wet | | | | | | | | | | | | | | | | | | | |
| | 0.039 | 0.056 | 0.075 | 0.097 | 0.121 | 0.149 | 0.179 | 0.212 | 0.249 | | | | | | | | | | | |
| 37*17 | Dry | | | | | | | | | | | | | | | | | | | |
| | 0.043 | 0.061 | 0.082 | 0.103 | 0.128 | 0.157 | 0.189 | 0.221 | 0.259 | 0.299 | 0.341 | | | | | | | | | |
| 37*17 | Wet | | | | | | | | | | | | | | | | | | | |
| | 0.056 | 0.079 | 0.107 | 0.133 | 0.166 | 0.200 | 0.236 | 0.276 | 0.315 | 0.361 | 0.413 | | | | | | | | | |
| 42*17 | Dry | | | | | | | | | | | | | | | | | | | |
| | 0.035 | 0.048 | 0.062 | 0.076 | 0.093 | 0.111 | 0.132 | 0.153 | 0.177 | 0.201 | 0.228 | | | | | | | | | |
| 42*17 | Wet | | | | | | | | | | | | | | | | | | | |
| | 0.049 | 0.066 | 0.085 | 0.100 | 0.122 | 0.144 | 0.171 | 0.192 | 0.217 | 0.245 | 0.276 | | | | | | | | | |
| 42*21 | Dry | | | | | | | | | | | | | | | | | | | |
| | 0.025 | 0.038 | 0.054 | 0.072 | 0.093 | 0.117 | 0.143 | 0.171 | 0.205 | 0.233 | 0.273 | | | | | | | | | |
| 42*21 | Wet | | | | | | | | | | | | | | | | | | | |
| | 0.030 | 0.044 | 0.061 | 0.079 | 0.103 | 0.125 | 0.154 | 0.182 | 0.216 | 0.251 | 0.288 | | | | | | | | | |
| 43*24 | Dry | | | | | | | | | | | | | | | | | | | |
| | | | 0.072 | 0.093 | 0.118 | 0.145 | 0.175 | 0.206 | 0.243 | 0.281 | 0.322 | 0.366 | 0.413 | | | | | | | |
| 43*24 | Wet | | | | | | | | | | | | | | | | | | | |
| | | | 0.079 | 0.102 | 0.130 | 0.159 | 0.192 | 0.228 | 0.26 | 0.303 | 0.348 | 0.396 | 0.446 | | | | | | | |
| 48*21 | Dry | | | | | | | | | | | | | | | | | | | |
| | 0.030 | 0.041 | 0.054 | 0.066 | 0.082 | 0.099 | 0.118 | 0.137 | 0.158 | 0.180 | 0.205 | 0.231 | 0.259 | | | | | | | |
| 48*21 | Wet | | | | | | | | | | | | | | | | | | | |
| | 0.043 | 0.059 | 0.078 | 0.101 | 0.126 | 0.153 | 0.181 | 0.207 | 0.234 | 0.260 | 0.288 | 0.319 | 0.354 | | | | | | | |
| 48*24 | Dry | | | | | | | | | | | | | | | | | | | |
| | | | 0.053 | 0.062 | 0.073 | 0.084 | 0.097 | 0.111 | 0.126 | 0.138 | 0.154 | 0.172 | 0.190 | 0.210 | | | | | | |
| 48*24 | Wet | | | | | | | | | | | | | | | | | | | |
| | | | 0.067 | 0.082 | 0.096 | 0.112 | 0.129 | 0.145 | 0.163 | 0.171 | 0.191 | 0.212 | 0.235 | 0.258 | | | | | | |
| 60*24 | Dry | | | | | | | | | | | | | | | | | | | |
| | | | 0.047 | 0.060 | 0.075 | 0.092 | 0.110 | 0.130 | 0.152 | 0.176 | 0.204 | 0.230 | 0.256 | 0.284 | 0.318 | | | | | |
| 60*24 | Wet | | | | | | | | | | | | | | | | | | | |
| | | | 0.053 | 0.067 | 0.085 | 0.104 | 0.125 | 0.147 | 0.172 | 0.200 | 0.228 | 0.259 | 0.292 | 0.327 | 0.365 | | | | | |
| 61*24 | Dry | | | | | | | | | | | | | | | | | | | |
| | | | 0.015 | 0.046 | 0.057 | 0.069 | 0.094 | 0.100 | 0.119 | 0.124 | 0.140 | 0.158 | 0.175 | 0.195 | 0.214 | | | | | |
| 61*24 | Wet | | | | | | | | | | | | | | | | | | | |
| | | | 0.032 | 0.050 | 0.066 | 0.081 | 0.097 | 0.114 | 0.131 | 0.150 | 0.169 | 0.190 | 0.211 | 0.233 | 0.257 | | | | | |
| 61*24 | Dry | | | | | | | | | | | | | | | | | | | |
| | | | | | 0.062 | 0.073 | 0.084 | 0.097 | 0.111 | 0.126 | 0.138 | 0.154 | 0.172 | 0.190 | 0.210 | 0.228 | 0.251 | 0.273 | 0.293 | |
| 61*24 | Wet | | | | | | | | | | | | | | | | | | | |
| | | | | | 0.082 | 0.096 | 0.112 | 0.129 | 0.145 | 0.163 | 0.171 | 0.191 | 0.212 | 0.235 | 0.258 | 0.283 | 0.310 | 0.336 | 0.366 | |
| 61*24 | Dry | | | | | | | | | | | | | | | | | | | |
| | | | | | | | | | | 0.130 | 0.140 | 0.160 | 0.180 | 0.200 | 0.220 | 0.240 | 0.270 | 0.290 | | |
| 61*24 | Wet | | | | | | | | | | | | | | | | | | | |
| | | | | | | | | | | 0.150 | 0.170 | 0.190 | 0.210 | 0.230 | 0.260 | 0.290 | 0.310 | 0.340 | | |

* C= Plain Copper, T= Tin Coated Copper

| COOLING CAPACITIES (MBH) (cont) | | | | | | | | | | | | | | | | | |
|---------------------------------|-----------------|---------|--|--------|------|--------|-------|------|--------|-------|------|--------|-------|------|---------|-------|------|
| UNIT SIZE | INDOOR COIL AIR | | SATURATED TEMPERATURE LEAVING EVAPORATOR °F (°C) | | | | | | | | | | | | | | |
| | | | 30 (-1) | | | 35 (2) | | | 40 (4) | | | 45 (7) | | | 50 (10) | | |
| | CFM | EWB | TC | SHC | BF | TC | SHC | BF | TC | SHC | BF | TC | SHC | BF | TC | SHC | BF |
| 42 | 1050 | 72 (22) | 74.40 | 36.30 | 0.00 | 68.10 | 33.10 | 0.00 | 61.20 | 29.70 | 0.00 | 53.50 | 26.20 | 0.01 | 45.00 | 22.60 | 0.02 |
| | | 67 (19) | 62.30 | 37.60 | 0.02 | 56.00 | 34.20 | 0.03 | 48.90 | 30.60 | 0.03 | 41.20 | 27.00 | 0.03 | 32.80 | 23.30 | 0.03 |
| | | 62 (17) | 51.40 | 38.60 | 0.03 | 44.90 | 35.00 | 0.03 | 37.90 | 31.40 | 0.03 | 30.60 | 27.80 | 0.04 | 24.40 | 24.40 | 0.08 |
| | 1400 | 72 (22) | 90.20 | 43.80 | 0.00 | 82.60 | 40.10 | 0.00 | 74.10 | 36.20 | 0.01 | 64.70 | 32.00 | 0.04 | 54.40 | 27.60 | 0.05 |
| | | 67 (19) | 75.80 | 46.00 | 0.05 | 68.00 | 42.00 | 0.05 | 59.40 | 37.70 | 0.06 | 50.00 | 33.40 | 0.06 | 39.60 | 28.90 | 0.06 |
| | | 62 (17) | 62.60 | 47.70 | 0.06 | 54.70 | 43.50 | 0.06 | 46.20 | 39.20 | 0.06 | 37.50 | 35.00 | 0.07 | 30.70 | 30.70 | 0.13 |
| | 1750 | 72 (22) | 103.00 | 50.00 | 0.00 | 94.30 | 46.00 | 0.00 | 84.60 | 41.50 | 0.05 | 73.90 | 36.80 | 0.06 | 62.00 | 32.00 | 0.07 |
| | | 67 (19) | 86.70 | 53.10 | 0.08 | 77.80 | 48.60 | 0.08 | 68.00 | 43.90 | 0.08 | 57.10 | 39.00 | 0.08 | 45.20 | 33.90 | 0.09 |
| | | 62 (17) | 71.70 | 55.70 | 0.09 | 62.70 | 50.90 | 0.09 | 53.10 | 46.20 | 0.09 | 43.40 | 41.50 | 0.10 | 36.30 | 36.30 | 0.18 |
| 43 | 1050 | 72 (22) | 96.72 | 47.64 | 0.00 | 89.31 | 43.85 | 0.00 | 80.91 | 39.78 | 0.00 | 71.39 | 35.44 | 0.00 | 60.74 | 30.89 | 0.01 |
| | | 67 (19) | 80.93 | 49.26 | 0.01 | 73.30 | 45.20 | 0.01 | 64.67 | 40.88 | 0.01 | 54.97 | 36.34 | 0.01 | 43.99 | 31.53 | 0.01 |
| | | 62 (17) | 66.64 | 50.56 | 0.01 | 58.77 | 46.28 | 0.01 | 50.10 | 41.84 | 0.01 | 40.70 | 37.29 | 0.02 | 32.63 | 32.63 | 0.07 |
| | 1400 | 72 (22) | 117.07 | 57.30 | 0.00 | 108.20 | 53.03 | 0.00 | 98.03 | 48.31 | 0.01 | 86.74 | 43.33 | 0.02 | 73.81 | 37.96 | 0.02 |
| | | 67 (19) | 98.18 | 60.23 | 0.03 | 89.03 | 55.55 | 0.03 | 78.69 | 50.55 | 0.03 | 66.93 | 45.19 | 0.03 | 53.54 | 39.46 | 0.03 |
| | | 62 (17) | 81.03 | 62.70 | 0.03 | 71.60 | 57.72 | 0.03 | 61.25 | 52.56 | 0.03 | 50.15 | 47.21 | 0.03 | 41.46 | 41.46 | 0.11 |
| | 1750 | 72 (22) | 133.38 | 65.28 | 0.00 | 123.30 | 60.58 | 0.02 | 111.98 | 55.48 | 0.03 | 99.21 | 50.01 | 0.04 | 84.49 | 44.04 | 0.04 |
| | | 67 (19) | 112.09 | 69.50 | 0.04 | 101.79 | 64.41 | 0.05 | 90.14 | 58.95 | 0.05 | 76.76 | 52.99 | 0.05 | 61.46 | 46.55 | 0.05 |
| | | 62 (17) | 92.72 | 73.26 | 0.05 | 82.16 | 67.85 | 0.05 | 70.58 | 62.18 | 0.05 | 58.38 | 56.24 | 0.06 | 49.33 | 49.33 | 0.15 |
| 48 | 1200 | 72 (22) | 79.30 | 38.70 | 0.00 | 72.90 | 35.40 | 0.00 | 65.70 | 31.90 | 0.00 | 57.70 | 28.20 | 0.00 | 48.80 | 24.40 | 0.01 |
| | | 67 (19) | 66.60 | 40.20 | 0.02 | 60.00 | 36.60 | 0.02 | 52.70 | 32.90 | 0.02 | 44.60 | 29.10 | 0.02 | 35.70 | 25.10 | 0.03 |
| | | 62 (17) | 55.00 | 41.30 | 0.03 | 48.30 | 37.60 | 0.03 | 40.90 | 33.80 | 0.03 | 33.10 | 30.00 | 0.03 | 26.30 | 26.30 | 0.07 |
| | 1600 | 72 (22) | 96.00 | 46.60 | 0.00 | 88.30 | 42.90 | 0.00 | 79.60 | 38.90 | 0.00 | 69.90 | 34.50 | 0.03 | 59.10 | 30.00 | 0.04 |
| | | 67 (19) | 80.90 | 49.20 | 0.04 | 72.90 | 45.00 | 0.04 | 64.10 | 40.70 | 0.05 | 54.20 | 36.10 | 0.05 | 43.30 | 31.40 | 0.05 |
| | | 62 (17) | 67.00 | 51.20 | 0.05 | 58.80 | 46.80 | 0.05 | 49.90 | 42.30 | 0.05 | 40.70 | 37.90 | 0.05 | 33.30 | 33.30 | 0.11 |
| | 2000 | 72 (22) | 109.40 | 53.10 | 0.00 | 100.70 | 49.10 | 0.00 | 90.90 | 44.60 | 0.03 | 79.90 | 39.80 | 0.05 | 67.50 | 34.70 | 0.06 |
| | | 67 (19) | 92.40 | 56.70 | 0.06 | 83.40 | 52.20 | 0.07 | 73.30 | 47.40 | 0.07 | 62.00 | 42.20 | 0.07 | 49.50 | 36.90 | 0.07 |
| | | 62 (17) | 76.70 | 59.70 | 0.07 | 67.50 | 54.90 | 0.08 | 57.40 | 49.90 | 0.08 | 47.20 | 44.90 | 0.08 | 39.50 | 39.50 | 0.16 |
| 60 | 1600 | 72 (22) | 103.20 | 50.40 | 0.00 | 94.40 | 45.90 | 0.00 | 84.80 | 41.10 | 0.00 | 74.10 | 36.30 | 0.00 | 62.40 | 31.20 | 0.02 |
| | | 67 (19) | 86.40 | 52.10 | 0.02 | 77.50 | 47.20 | 0.02 | 67.80 | 42.30 | 0.02 | 57.10 | 37.20 | 0.03 | 45.40 | 32.10 | 0.03 |
| | | 62 (17) | 71.20 | 53.30 | 0.03 | 62.20 | 48.30 | 0.03 | 52.40 | 43.30 | 0.03 | 42.30 | 38.30 | 0.03 | 33.50 | 33.50 | 0.07 |
| | 2000 | 72 (22) | 120.70 | 58.70 | 0.00 | 110.40 | 53.60 | 0.00 | 99.00 | 48.20 | 0.00 | 86.40 | 42.50 | 0.02 | 72.60 | 36.70 | 0.03 |
| | | 67 (19) | 101.20 | 61.30 | 0.03 | 90.70 | 55.70 | 0.04 | 79.20 | 50.00 | 0.04 | 66.60 | 44.10 | 0.04 | 52.80 | 38.10 | 0.05 |
| | | 62 (17) | 83.40 | 63.20 | 0.05 | 72.80 | 57.40 | 0.05 | 61.40 | 51.60 | 0.05 | 49.70 | 46.00 | 0.05 | 40.30 | 40.30 | 0.11 |
| | 2400 | 72 (22) | 135.60 | 65.80 | 0.00 | 124.10 | 60.30 | 0.00 | 111.20 | 54.40 | 0.01 | 97.00 | 48.00 | 0.04 | 81.30 | 41.50 | 0.05 |
| | | 67 (19) | 113.90 | 69.30 | 0.05 | 102.10 | 63.20 | 0.06 | 89.10 | 56.90 | 0.06 | 74.80 | 50.30 | 0.06 | 59.20 | 43.60 | 0.06 |
| | | 62 (17) | 94.10 | 72.10 | 0.06 | 82.10 | 65.70 | 0.06 | 69.30 | 59.30 | 0.06 | 56.40 | 53.00 | 0.07 | 46.50 | 46.50 | 0.14 |
| 61 | 1600 | 72 (22) | 146.13 | 71.69 | 0.00 | 134.50 | 65.77 | 0.00 | 121.56 | 59.54 | 0.00 | 106.83 | 52.86 | 0.00 | 90.32 | 45.83 | 0.01 |
| | | 67 (19) | 122.06 | 74.12 | 0.02 | 110.18 | 67.82 | 0.02 | 96.85 | 61.17 | 0.02 | 81.83 | 54.15 | 0.02 | 64.91 | 46.78 | 0.02 |
| | | 62 (17) | 100.28 | 76.03 | 0.02 | 88.07 | 69.40 | 0.02 | 74.72 | 62.59 | 0.02 | 60.46 | 55.67 | 0.02 | 48.56 | 48.56 | 0.08 |
| | 2000 | 72 (22) | 169.63 | 82.84 | 0.00 | 156.39 | 76.39 | 0.00 | 141.33 | 69.41 | 0.01 | 124.36 | 61.86 | 0.02 | 105.10 | 53.83 | 0.02 |
| | | 67 (19) | 142.02 | 86.75 | 0.03 | 128.36 | 79.72 | 0.03 | 112.89 | 72.20 | 0.03 | 95.38 | 64.18 | 0.03 | 75.60 | 55.70 | 0.03 |
| | | 62 (17) | 116.90 | 89.93 | 0.03 | 102.76 | 82.43 | 0.03 | 87.41 | 74.75 | 0.03 | 71.17 | 66.88 | 0.04 | 58.57 | 58.57 | 0.11 |
| | 2400 | 72 (22) | 189.44 | 92.42 | 0.00 | 174.81 | 85.58 | 0.00 | 158.22 | 77.98 | 0.02 | 139.30 | 69.76 | 0.03 | 117.75 | 60.94 | 0.04 |
| | | 67 (19) | 158.99 | 97.85 | 0.04 | 143.83 | 90.25 | 0.04 | 126.61 | 82.05 | 0.04 | 107.02 | 73.24 | 0.05 | 84.86 | 63.87 | 0.05 |
| | | 62 (17) | 131.10 | 102.40 | 0.05 | 115.46 | 94.29 | 0.05 | 98.49 | 85.91 | 0.05 | 80.79 | 77.29 | 0.06 | 67.60 | 67.60 | 0.14 |

Legend:

CFM – Cubic Ft. per Minute

EWB – Entering Wet Bulb

LWB – Leaving Wet Bulb

TC – Gross Cooling Capacity 1000 Btuh

SHC – Gross Sensible Capacity 1000 Btuh

BF – Bypass Factor

MBH – 1000 Btuh

See notes following.

NOTES:

1. Contact manufacturer for cooling capacities at conditions other than shown in table.
2. Formulas:

$$\text{Leaving db} = \text{entering db} - \frac{\text{sensible heat cap.}}{1.09 \times \text{CFM}}$$

$$\text{Leaving wb} = \text{wb corresponding to enthalpy of air leaving coil (h}_{LWB})$$

$$h_{LWB} = h_{EWB} - \frac{\text{total capacity (Btuh)}}{4.5 \times \text{CFM}}$$
 Where h_{EWB} = enthalpy of air entering coil
3. SHC is based on 80°F (27°C) db temperature of air entering the evaporator coil.
 Below 80°F (27°C) db, subtract (Correction Factor x CFM) from SHC.
 Above 80°F (27°C) db, add (Correction Factor x CFM) to SHC.
4. Direct interpolation is permissible. Do not extrapolate.
5. Fan motor heat has not been deducted.
6. All data points are based on 10°F (-12°C) superheat leaving coil and use of thermostatic expansion valve (TXV) device.
7. The END4X, ENW4X, and ENA4X coils can be used in any properly designed system using R-410A refrigerant.
8. Before using maximum cfm shown in table, check coil static pressure drop to ensure system blower can provide necessary static pressure needed for coil and duct systems.
9. Bypass Factor = 0 indicates no psychometric solution. Use bypass factor of next lower EWB for approximation.

| BYPASS FACTOR | ENTERING AIR DRY BULB TEMPERATURE °F (°C) | | | | | |
|-------------------|---|---------|---------|---------|---------|-------------------------|
| | 79 (26) | 78 (26) | 77 (25) | 76 (24) | 75 (24) | Under 75 (24) |
| | 81 (27) | 82 (28) | 83 (28) | 84 (29) | 84 (29) | Above 85 (29) |
| Correction Factor | | | | | | |
| 0.10 | 0.98 | 1.96 | 2.94 | 3.92 | 4.91 | Use formula shown below |
| 0.20 | 0.87 | 1.74 | 2.62 | 3.49 | 4.36 | |
| 0.30 | 0.76 | 1.53 | 2.29 | 3.05 | 3.82 | |

Interpolation is permissible.

Correction Factor = 1.09 x (1 - BF) x (db - 80)