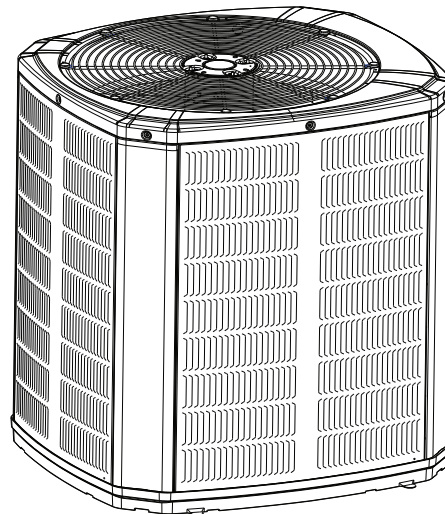


Product Data

Variable Speed AccuLink™ Air Conditioners

4A7V8024A1000B
4A7V8036A1000B
4A7V8037A1000B
4A7V8048A1000B
4A7V8060A1000B



Note: "Graphics in this document are for representation only. Actual model may differ in appearance."

Mechanical Specification Options

General

This unit is designed to operate at outdoor ambient temperatures from 55° F to 120° F in cooling. From -10° F to 66° F in heating (heat pumps only). Only AHRI approved indoor matches are approved for use with these models.

AccuLink™ Air Conditioners

This outdoor unit contains the AccuLink™ Air Conditioners digital communication with 2 wire connection to outdoor and Plug-n-Play set up.

Casing

Unit casing is constructed of heavy gauge. G60 galvanized steel and painted with a weather-resistant powder paint on all louvered panels and prepaint on all other panels. Corrosion and weatherproof CMBP-G30 DuraBase™ base.

Refrigerant Controls

Refrigeration system controls include condenser fan, compressor contactor and high and low pressure switches. A factory supplied, field installed filter is standard.

Compressor

Inverter driven scroll compressor with 25 to 100% output capacity on heat pumps and 30 to 100% output capacity on air conditioners. Noise enclosure minimizes sound levels and built in compressor protection protects compressor will reduce operating speed and current draw to maintain operation while protecting the compressor.

Condenser Coil

The Spine Fin™ outdoor coil provides low airflow resistance and efficient heat transfer. The coil is protected on all four sides by louvered panels.

Low Ambient Cooling

As manufactured, this system has built in freeze protection that will allow cooling operation below 55°F but will reduce capacity or shut down completely to prevent operation under adverse conditions.

Comfort Control

The 1050/950/850 Control is required and provides Plug-n-Play setup and 3 wire connection.

Product Specifications

Air Conditioner Models

OUTDOOR UNIT ^{(a) (b)}	4A7V8024A1000B	4A7V8036A1000B	4A7V8037A1000B
POWER CONNS. — V/PH/HZ ^(c)	208/230/1/60	208/230/1/60	208/230/1/60
MIN. BRCH. CIR. AMPACITY	17.0	18.0	18.0
BR. CIR. PROT. RTG. — MAX. (AMPS)	25	25	25
COMPRESSOR	SCROLL	SCROLL	SCROLL
NO. USED — NO. SPEEDS	1-VARIABLE	1-VARIABLE	1-VARIABLE
R.L. AMPS ^(d) — L.R. AMPS	11.5 — 10.2	12.4 — 10.2	12.4 — 10.2
FACTORY INSTALLED			
START COMPONENTS ^(e)	NA	NA	NA
INSULATION/SOUND BLANKET	YES	YES	YES
COMPRESSOR HEAT	YES	YES	YES
OUTDOOR FAN			
DIA. (IN.) — NO. USED	23 — 1	23 — 1	27.5 — 1
TYPE DRIVE — NO. SPEEDS	DIRECT — VARIABLE	DIRECT — VARIABLE	DIRECT — VARIABLE
CFM @ 0.0 IN. W.G. ^(f)	2680	2850	3670
NO. MOTORS — HP	1 — 1/3	1 — 1/3	1 — 1/3
MOTOR SPEED R.P.M.	200 — 1200	200 — 1200	200 — 1200
VOLTS/PH/HZ	208/230/1/60	208/230/1/60	208/230/1/60
F.L. AMPS	2.8	2.8	2.8
OUTDOOR COIL — TYPE	SPINE FIN™	SPINE FIN™	SPINE FIN™
ROWS — F.P.I.	1 — 24	1 — 24	1 — 24
FACE AREA (SQ. FT.)	19.77	23.75	27.87
TUBE SIZE (IN.)	3/8	3/8	3/8
REFRIGERANT	R410-A	R410-A	R410-A
LBS. — R-410A (O.D. UNIT) ^(g)	7 lb — 6 oz	7 lb — 14 oz	10 lb — 0 oz
FACTORY SUPPLIED	YES	YES	YES
LINE SIZE — IN. O.D. GAS	5/8 ^(h)	3/4 ^(h)	3/4 ^(h)
LINE SIZE — IN. O.D. LIQ. ^(h)	3/8	3/8	3/8
CHARGING SPECIFICATIONS			
SUBCOOLING	10°	10°	10°
DIMENSIONS	H X W X D	H X W X D	H X W X D
CRATED (IN.)	46 X 30.1 X 33	46 X 30.1 X 33	46.4 X 35.1 X 38.7
WEIGHT			
SHIPPING (LBS.)	217	228	248
NET (LBS.)	196	207	225

^(a) Certified in accordance with the Air-Source Unitary Air-conditioner Equipment certification program, which is based on AHRI standard 210/240.

^(b) Rated in accordance with AHRI standard 270/275.

^(c) Calculated in accordance with Natl. Elec. Codes. Use only HACR circuit breakers or fuses.

^(d) This value shown for compressor RLA on the unit nameplate and on this specification sheet is used to compute minimum branch circuit ampacity and max. fuse size. The value shown is the branch circuit selection current.

^(e) No means no start components. Yes means quick start kit components. PTC means positive temperature coefficient starter.

^(f) Standard Air — Dry Coil — Outdoor

^(g) This value approximate. For more precise value see unit nameplate.

^(h) Max. linear length 150 ft.; Max. lift — Suction 50 ft.; Max. lift — Liquid 50 ft.

Product Specifications

Air Conditioner Models

OUTDOOR UNIT ^{(a) (b)}	4A7V8048A1000B	4A7V8060A1000B
POWER CONNS. — V/PH/HZ ^(c)	208/230/1/60	208/230/1/60
MIN. BRCH. CIR. AMPACITY	23.0	27.0
BR. CIR. PROT. RTG. — MAX. (AMPS)	35	40
COMPRESSOR	SCROLL	SCROLL
NO. USED — NO. SPEEDS	1-VARIABLE	1-VARIABLE
R.L. AMPS ^(d) — L.R. AMPS	16.0 — 12.0	19.3 — 12.0
FACTORY INSTALLED		
START COMPONENTS ^(e)	NA	NA
INSULATION/SOUND BLANKET	YES	YES
COMPRESSOR HEAT	YES	YES
OUTDOOR FAN		
DIA. (IN.) — NO. USED	27.5 — 1	27.5 — 1
TYPE DRIVE — NO. SPEEDS	DIRECT — VARIABLE	DIRECT — VARIABLE
CFM @ 0.0 IN. W.G. ^(f)	4560	4787
NO. MOTORS — HP	1 — 1/3	1 — 1/3
MOTOR SPEED R.P.M.	200 — 1200	200 — 1200
VOLTS/PH/HZ	208/230/1/60	208/230/1/60
F.L. AMPS	2.8	2.8
OUTDOOR COIL — TYPE	SPINE FIN™	SPINE FIN™
ROWS — F.P.I.	1 — 24	1 — 24
FACE AREA (SQ. FT.)	27.87	30.80
TUBE SIZE (IN.)	3/8	3/8
REFRIGERANT	R410-A	R410-A
LBS. — R-410A (O.D. UNIT) ^(g)	11 lb — 9 oz	12 lb — 12 oz
FACTORY SUPPLIED	YES	YES
LINE SIZE — IN. O.D. GAS	7/8 ^(h)	1 — 1/8 ⁽ⁱ⁾
LINE SIZE — IN. O.D. LIQ. ^(h)	3/8	3/8
CHARGING SPECIFICATIONS		
SUBCOOLING	10°	10°
DIMENSIONS	H X W X D	H X W X D
CRATED (IN.)	46.4 X 35.1 X 38.7	51 X 35.1 X 38.7
WEIGHT		
SHIPPING (LBS.)	270	284
NET (LBS.)	245	258

^(a) Certified in accordance with the Air-Source Unitary Air-conditioner Equipment certification program, which is based on AHRI standard 210/240.

^(b) Rated in accordance with AHRI standard 270/275.

^(c) Calculated in accordance with Natl. Elec. Codes. Use only HACR circuit breakers or fuses.

^(d) This value shown for compressor RLA on the unit nameplate and on this specification sheet is used to compute minimum branch circuit ampacity and max. fuse size. The value shown is the branch circuit selection current.

^(e) No means no start components. Yes means quick start kit components. PTC means positive temperature coefficient starter.

^(f) Standard Air — Dry Coil — Outdoor

^(g) This value approximate. For more precise value see unit nameplate.

^(h) Max. linear length 150 ft.; Max. lift — Suction 50 ft.; Max. lift — Liquid 50 ft.

⁽ⁱ⁾ Max length of refrigerant lines from outdoor to indoor unit MUST NOT exceed 80 feet. The max vertical change MUST NOT exceed 25 feet. See footnote (h) if 7/8" suction line is used.

Sound Data

Model	Mode	Speed	A-Weighted Sound Power Level [dB(A)]	Full Octave Sound Power [dB]							
				63 Hz	125 Hz	250 Hz	500 Hz	1000 Hz	2000 Hz	4000 Hz	8000 Hz
4A7V8024A	Cool	Min	57	71.2	49.8	51.4	58.3	51.6	44.2	37.4	41.2
	Cool	Max	66	74.8	64.1	61.3	66.2	61.2	56.3	49.4	46.5
4A7V8036A	Cool	Min	55	71.0	53.4	51.2	53.5	51.5	44.6	40.3	41.0
	Cool	Max	70	73.1	70.5	65.8	67.3	66.0	60.9	54.1	50.0
4A7V8037A	Cool	Min	59	69.3	56.0	54.8	54.5	56.8	46.6	38.0	39.0
	Cool	Max	70	79.7	70.2	68.5	66.3	65.8	63.2	56.9	51.4
4A7V8048A	Cool	Min	57	70.7	52.5	51.7	55.3	53.4	43.6	35.1	41.6
	Cool	Max	74	75.5	73.6	72.0	72.8	68.7	63.9	58.3	52.1
4A7V8060A	Cool	Min	62	71.7	55.8	56.8	56.7	60.1	44.7	42.3	41.0
	Cool	Max	75	87.8	77.6	75.2	72.2	70.2	64.7	59.0	51.1

NOTE: Rated in accordance with AHRI Standard 270

Model	Mode	Speed	Sound Pressure in dBA			
			at 3'	at 5'	at 10'	at 15'
4A7V8024A	Cool	Min	50	45	39	36
	Cool	Max	59	54	48	45
4A7V8036A	Cool	Min	48	43	37	34
	Cool	Max	63	58	52	49
4A7V8037A	Cool	Min	52	47	41	38
	Cool	Max	63	58	52	49
4A7V8048A	Cool	Min	50	45	39	36
	Cool	Max	67	62	56	53
4A7V8060A	Cool	Min	55	50	44	41
	Cool	Max	68	63	57	54

NOTE: Rated in accordance with AHRI Standard 275

Optional Accessories:

Model	4A7V8024A	4A7V8036A	4A7V8037A	4A7V8048A	4A7V8060A
Rubber Isolator Kit	BAYISLT101	BAYISLT101	BAYISLT101	BAYISLT101	BAYISLT101
Snow Leg — Base & Cap 4" High	BAYLEGS002	BAYLEG2002	BAYLEG2002	BAYLEGS002	BAYLEGS002
Snow Leg — 4" Extension	BAYLEGS003	BAYLEGS003	BAYLEGS003	BAYLEGS003	BAYLEGS003
Extreme Condition Mounting Kit	BAYECMT023	BAYECMT023	BAYECMT04	BAYECMT004	BAYECMT004
Refrigerant Lineset ^(a)					

^(a) 25, 30, 35, and 50 foot linesets available. For a complete listing of lineset options available from equipment or supply stores, refer to the American Standard Quick Reference Guide.

General Data

AHRI STANDARD 210/240 RATING CONDITIONS

- Cooling 80°F DB, 67°F WB air entering indoor coil, 95°F DB air entering outdoor coil.
- High Temperature Heating 47°F DB, 43°F WB air entering outdoor coil, 70°F DB entering indoor coil.
- Low Temperature Heating 17°F DB, 15°F WB air entering outdoor coil, 70°F DB air entering indoor coil.
- Rated indoor airflow for heating is the same as for cooling.

AHRI STANDARD 270 RATING CONDITIONS — (Noise rating numbers are determined with the unit in cooling operation) Standard Noise Rating number is at 95°F outdoor air.

Model Nomenclature

Outdoor Units

1 2 3 4 5 6 7 8 9 10 11 12 13 14 15
4 A 6 V 0 0 3 6 A 1 0 0 0 A A

Refrigerant Type
2 = R-22
4 = R-410A
A, T = American Standard

Product Type
6, W = Split Heat Pump
7, T = Split Cooling

Product Family
V = Variable Speed M or B = Basic
Z = Leadership - Two Stage A = Light Commercial
X = Leadership
R = Replacement/Retail

Family SEER
3 = 13 6 = 16 0 = 20
4 = 14 8 = 18
5 = 15 9 = 19

Split System Connections 1-6 Tons
0 = Brazed

Nominal Capacity in 1000s of BTUs

Major Design Modifications

Power Supply
1 = 200-230/1/60 or 208-230/1/60
3 = 200-230/3/60
4 = 460/3/60

Secondary Function

Minor Design Modifications

Unit Parts Identifier

Air Handler

1 2 3 4 5 6 7 8 9 10 11 12 13 14 15
T A M 8 C 0 B 3 6 Y 3 1 C A A

Brand
T = American Standard
G = Good (American Standard Branded)

Product Type
A = Air Handler

Convertibility
M = Multi-poise 4-way
F = Upflow Front Return, 3-way
T = 3-way

Product Tier
2 = Good, Entry Level Feature Set
4 = Better, Retail Replacement Mid Effy
5 = Better, Entry Level High Effy, Multi-Speed
7 = Best, Retail Replacement High Effy, Variable Speed
8 = Best, Retail Ultimate High Effy, Variable Speed

Major Design Change

No Descriptor
0 = Air Handler / Coil

Size (Footprint)
A = 17.5 x 21.5
B = 21.0 x 21.5
C = 23.5 x 21.5

Cooling Size: Air Handler or Coil
0-9 = AH Coil - 1000 BTUs (18, 24, 30, 36, 42, 48, 60)

Airflow Type & Capability
S = Low Effy PSC, 1-5 - nom., Tonnage (cfm/ton)
M = Mid Effy Multi-Speed, 1-5 - nom., Tonnage (cfm/ton)
H = High Effy Multi-Speed, 1-5 - nom., Tonnage (cfm/ton)
V = High Effy Variable, 1-5 - nom., Tonnage (cfm/ton)

Power Supply
1 - 208-230/1/60

System Control Type
S = Standard - 24 VAC
C = CLII 13.8 VDC

Minor Design Change

Unit Parts Identifier

Gas Furnaces

1 2 3 4 5 6 7 8 9 10 11 12 13 14 15
A U H 1 B 0 8 0 A C V 3 V A A

Furnace Configuration
AU = Upflow/Horizontal
AD = Downflow/Horizontal

Type
E = 80% Induced Draft Standard
D = 80% Induced Draft Premium
C = 90% Condensing Standard
X = 90% Condensing Premium
H = 95% Condensing Premium

Number of Heating Stages
1 = Single Stage
2 = Two Stage
3 = Three Stage
M = Modulating

Cabinet Width
A = 14.5" Cabinet Width
B = 17.5" Cabinet Width
C = 21.0" Cabinet Width
D = 24.5" Cabinet Width

Heating Input in 1000's (BTUH)
080 = 80,000 BTUH

Major Design Change

Voltage
9 = 115 Volts / 60 Hertz / Natural Gas
A = 115 Volts / 50 Hertz / Natural Gas
C = 115 Volts / Natural Gas with Communicating System Control
F = 115 Volts / Natural Gas with Integrated Electronic Filter
D = 115 Volts / Natural Gas with Communicating System Control and Integrated Electronic Filter

Air Capacity for Cooling
Standard PSC Variable Speed High Efficiency
24 = 2 Tons V3 = 3 Tons H3 = 3 Tons
36 = 3 Tons V4 = 4 Tons H4 = 4 Tons
42 = 3.5 Tons V5 = 5 Tons H5 = 5 Tons
45 = 4 Tons
48 = 4 Tons
54 = 5 Tons
60 = 5 Tons
72 = 6 Tons

Draft Inducer Speeds
1 = Single Speed
2 = Two Speed
V = Variable Speed

Minor Design Change

Service Digit - Not Orderable

Heat Pump/ Cooling Coils

1 2 3 4 5 6 7 8 9 10 11 12 13 14 15
4 T X C B 0 3 6 A C 3 H C A A

Refrigerant Type
4 = R-410A

Series
T = Premium (Heat Pump)
N = Premium (Convertible to HP)
C = Standard

Coil Design
X = Direct Expansion Evaporator Coil

Coil Feature
C = Case A Coil
A = Uncased A Coil
F = Cased Horizontal Flat Coil

Coil Width (Cased/Uncased)
A = 14.5"/13.3"
B = 17.5"/16.3"
C = 21.0"/19.8"
D = 24.5"/23.3"
H = 10.5"

Refrigerant Line Coupling
0 = Brazed

Nominal Capacity in 1000's (BTUH)

Major Design Change

Efficiency
C = Standard
S = Hi Efficiency (Derived from 10 SEER products)

Refrigerant Control
3 = TXV - Non-Bleed

Coil Circuitry
H = Heat Pump
C = Cooling

Airflow Configuration
A = Upflow Only
U = Upflow/Downflow
H = Horizontal Only
C = Convertible - Upflow, Downflow, Left or Right Upflow

Minor Design Change

Service Digit - Not Orderable

Wiring — D157619P04

LEGEND

	24 V FACTORY WIRING
	24 V FIELD INSTALLED WIRING
	MAGNETIC COIL
	EARTH GROUND
	CHASSIS EARTH GROUND
	JUNCTION
	WIRE NUT OR TERMINAL
	THERMISTOR
	INTERNAL OVERLOAD PROTECTION
	PRESSURE ACTUATED SWITCH
	RESISTOR OR HEATING ELEMENT
	MOTOR WINDING
	SHIELDED CABLE

	PFL - PLUS FEMALE HOUSING (FEMALE TERMINALS)
	PML - PLUS MALE HOUSING (FEMALE TERMINALS)
	COLOR OF WIRE
	BK - BLACK
	RD - RED
	OR - ORANGE
	WH - WHITE
	GR - GREEN
	BL - BLUE
	PK - PINK
	DR - DRAIN
	CS - CHARGE SOLENOID
	LS - LOAD JED
	CBS - COIL BOTTOM SENSOR
	CDA - COIN DISPLAY ASSEMBLY
	VSC - VARIABLE SPEED COMPRESSOR
	EVS - ELECTRONIC EXP. VALVE
	OOS - OUTDOOR TEMPERATURE SENSOR
	SP-TRD - SUCTON PRESSURE TRANSDUCER
	SC/LSOY - SWITCH OVER VALVE SOLENOID
	STS - SUCTON TEMPERATURE SENSOR
	TH - THERMISTOR
	TM - TERMINAL BLOCK
	DTS - DOME TEMPERATURE SENSOR
	PSC - PERMENANT SPLIT CAPACITOR MOTOR COIN
	CS - CHARGE SOLENOID
	LS - LOAD JED

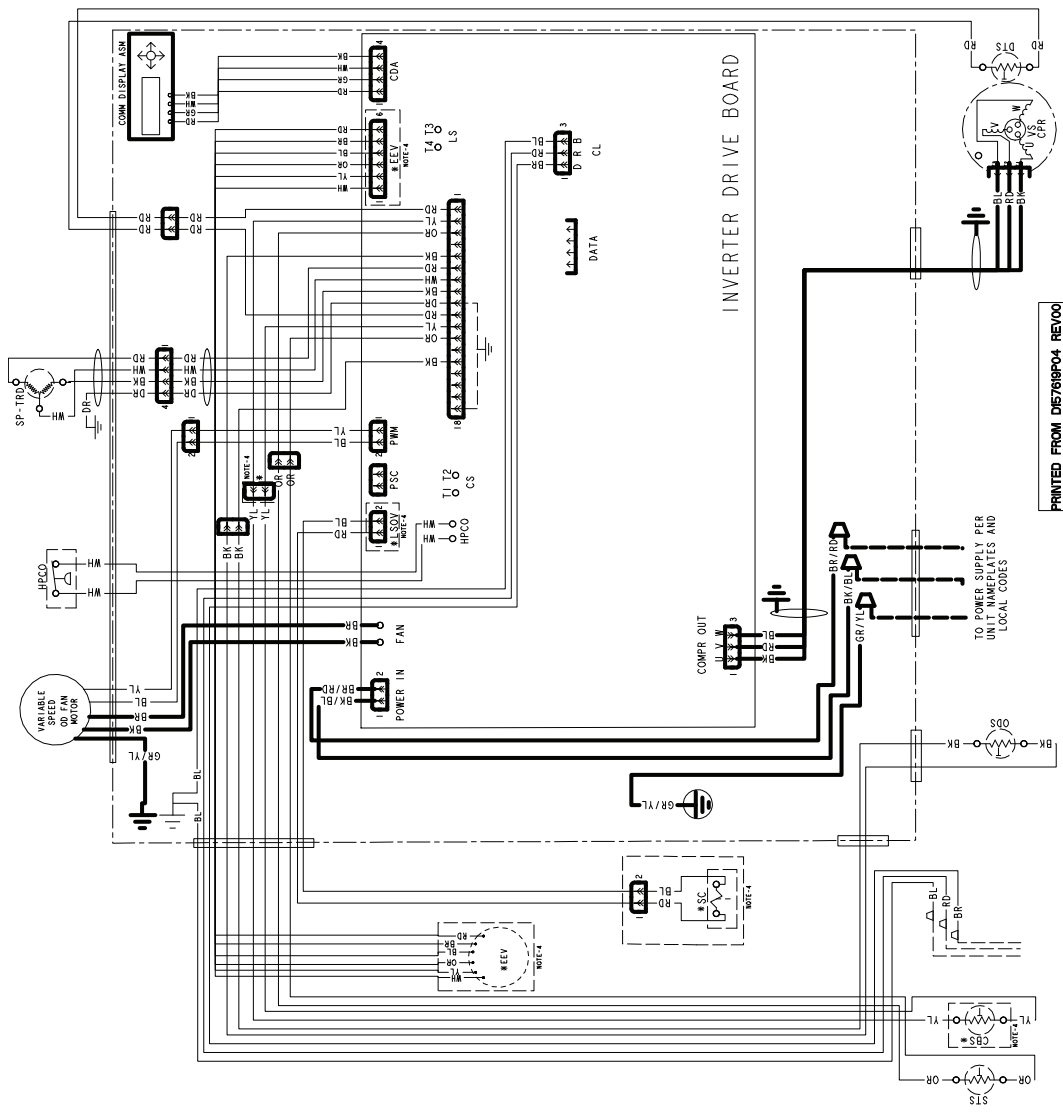
NOTES:

1. BE SURE POWER SUPPLY AGREES WITH EQUIPMENT NAMEPLATE.
2. POWER WIRING AND GROUNDING OF EQUIPMENT MUST COMPLY WITH LOCAL CODES.
3. LOW VOLTAGE WIRING TO BE NO. 18 AWG MINIMUM CONDUCTOR.
4. * ONLY USED ON HEAT PUMP MODELS AND NOT ON AC UNITS

FOR CANADIAN INSTALLATIONS
SEE THE CANADIAN LABELS
CAUTION: NOT SUITABLE FOR USE ON SYSTEMS EXCEEDING 150V-TO-GROUND ATTENTION: NE CONVIENT PAS AUX INSTALLATIONS DE PLUS DE 150 V A LA TERRE

WARNING
HAZARDOUS VOLTAGE!
DISCONNECT ALL ELECTRICAL POWER BEFORE WIRING.
FAILURE TO DISCONNECT POWER BEFORE WIRING MAY CAUSE PERSONAL INJURY OR DEATH.

CAUTION
USE COPPER CONDUCTORS ONLY!
UNIT TERMINALS ARE NOT DESIGNED FOR ALUMINUM WIRE CONNECTIONS. FAILURE TO DO SO MAY CAUSE DAMAGE TO THE EQUIPMENT.



PRINTED FROM D157619P04 REV/00

American Standard[®]
HEATING & AIR CONDITIONING

About American Standard Heating and Air Conditioning
American Standard has been creating comfortable and affordable living environments for more than a century. For more information, please visit www.americanstandardair.com.



The AHRI Certified mark indicates company participation in the AHRI Certification program. For verification of individual certified products, go to ahridirectory.org.

The manufacturer has a policy of continuous data improvement and it reserves the right to change design and specifications without notice. We are committed to using environmentally conscious print practices.