

# 4DHP SINGLE-ZONE PRODUCT SPECIFICATIONS

UP TO 24.5 SEER  
SINGLE ZONE DUCTLESS HEAT PUMP

FORM NO. 4DHPSINGLE-100 (06/2020)

## OUTDOOR UNITS



**3 TON & UNDER**



**4 TON**

## INDOOR UNITS



**CEILING CASSETTE**



**DUCTED UNIT**

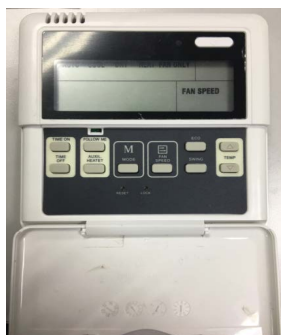


**DWM WALL MOUNTED**

**Wireless Remote  
Controller  
(furnished with  
Wall-Mount and  
Cassette Models)**



**Wired Remote  
Controller  
(furnished with  
Medium Static  
Ducted Models)**



Certain models have earned the Energy Star® mark by meeting strict energy efficiency guidelines set by the US EPA.

## **FEATURES AND BENEFITS - OUTDOOR UNITS**

### **CONTENTS**

Accessories - Furnished.....	38
AHRI System Matches .....	22
Air Throw Data - Cassette Indoor Units.....	34
Air Throw Data - Wall-Mounted Indoor Units.....	33
Blower Data - Medium Static Ducted Indoor Units.....	35
Dimensions - Cassette Indoor Units - Inches (MM).....	13
Dimensions - medium static ducted indoor units - Inches (MM)	15
Dimensions - Outdoor units - inches (MM) .....	8
Dimensions - Wall Mounted Indoor Units - Inches (MM).....	11
Dimensions - Wall Mounted Indoor Units - Wall Plates - Inches (MM).....	12
Installation Clearances - Cassette Indoor Units - Inches (mm).....	17
Installation Clearances - Medium Static Ducted Indoor Units - Inches (mm).....	18
Installation Clearances - Outdoor Units - Inches (mm) .....	16
Installation Clearances - Wall-Mounted Indoor Units - Inches (mm) .....	17
Line Set and Elevation Guidelines .....	19
Model Number Guide.....	6
Optional Accessories - Order Separately .....	41
Sound Levels - Test Conditions.....	23
Specifications - Cassette Indoor Units .....	21
Specifications - Medium Static Ducted Indoor Units.....	22
Specifications - Outdoor Units.....	20
Specifications - Wall Mounted Indoor Units .....	21

### **EQUIPMENT WARRANTY**

**Compressor** - Limited warranty for seven years; can be extended for 5 years for a total of 12 years.\*

**Accessories/Controls** - 1 year.

**All other covered components** - Five years; can be extended for 7 years for a total of 12 years.\*

\* Warranty must be registered online within 60 days of installation to qualify for 12-year coverage. Unregistered equipment defaults to standard coverage.

Refer to Equipment Limited Warranty certificate included with unit for specific details.

### **APPLICATIONS**

SEER up to 24.50.

HSPF up to 11.5.

0.75 through 4 ton.

Single phase power supply (115V and 208/230V).

Outdoor unit sound levels as low as 52.5 dB.

Indoor unit sound levels as low as 24 dB.

Ductless mini-split systems provide a wide range of capacities and applications and provide an alternative when a ducted system is impractical or cost prohibitive.

Units shipped completely factory assembled, internally piped, and wired.

Installer must set outdoor unit, hang indoor unit, connect refrigerant lines, and make electrical connections to complete job.

**NOTE - Outdoor unit is designed for outdoor use.**

**NOTE - it is recommended that Medium Static Ducted Indoor Units not be installed in unconditioned spaces with temperatures above 100°F.**

### **APPROVALS**

AHRI Certified to AHRI Standard 210/240.

Rated according to U.S. Department of Energy (DOE) test procedures.

Indoor and outdoor units and components within bonded for grounding to meet safety standards for servicing required by UL and CEC.

Units are ETL certified for the U.S. and Canada.

Certain models are Energy Star® certified and designed to use less energy, help save money on utility bills, and help protect the environment. Many Allied home comfort systems meet Energy Star requirements when used with matching components.

Meets 2014 Florida Building Code Wind Design Criteria:

- Ultimate Wind Speed - 186 miles per hour
- Risk Categories - III and IV
- Wind Exposures - C and D
- Mean Roof Heights - Up to 60 feet above ground

## **REFRIGERATION SYSTEM**

### **R-410A Refrigerant**

Non-chlorine, ozone friendly, R-410A.  
Unit pre-charged with refrigerant.

### **Outdoor Coil**

Aluminum fins fitted to copper tubes.  
Wire grille guard provided.

### **Outdoor Fan**

Direct drive fan moves large air volumes uniformly through entire outdoor coil for high refrigeration capacity.  
Fan guard provided.

### **Refrigerant Line Connections, Service Valve**

Flare connection lines are located on side of unit cabinet.  
Fully serviceable brass service valve prevents corrosion and provides access to refrigerant system. Shut-off valve can be fully shut off while 3-way service valve (with service port) may be accessed to manage refrigerant charge while servicing system.

## **COMPRESSOR**

### **Variable Frequency Rotary Compressor**

Compressor features high efficiency operation.  
Balanced for reduced vibration and quiet operation.  
Brushless DC motor uses powerful Neodymium magnets, which are approximately 15-20 times stronger than ferrite magnets used in conventional AC compressors.

### **Compressor Crankcase Heater**

Protects against liquid refrigerant migration that can occur during low ambient operation.

## **CONTROLS**

### **DC Inverter Control**

Provides continuous operation, while adjusting capacity according to room temperature.  
The accurate sensing of cooling or heating loads prevents frequent changes in capacity and ensures efficient, economical operation.

### **Inverter Module Protection**

Protects against differences in current, voltage and temperature. Displays code on the indoor unit indicating a need for servicing.

### **Outdoor Unit Microprocessor**

Electronic expansion valve control.  
Automatic compressor timed-off protection (3 minutes).  
Temperature sensor.  
LEDs on control display error codes and assist in troubleshooting.  
4-Way reversing valve control.

### **Electronic Expansion Valve**

Furnished on all models.

### **Compressor Overcurrent Protection**

Overcurrent protection can result due to any of the following:

- Ambient temperature is too high
- Locked rotor on the compressor
- Outdoor air is blocked or restricted

### **Condenser High Temperature Protection**

Condenser high temperature can occur due to any of the following conditions:

- High outdoor ambient
- Outdoor fan blocked
- Outdoor coil blocked

The outdoor coil thermistor continuously monitors the temperature and communicates with the microprocessor.

Depending on the temperature measured, the compressor will be allowed to increase the frequency if needed to meet the load or is forced to run at the current or reduced frequency. If the temperature becomes excessively high the compressor will be de-energized.

### **Compressor Discharge Temperature Protection**

The compressor discharge line thermistor continuously monitors the temperature and communicates with the microprocessor.

Depending on the temperature measured, the compressor will be allowed to increase the frequency to meet the load or is forced to run at the current or reduced frequency. If the temperature becomes excessively high, the compressor will be de-energized.

### **Voltage Protection**

Protects unit from low or high voltage fluctuations.

### **Terminal Strip**

Furnished for easy wiring connections.

### **Defrost Control**

Defrost cycle is automatically enabled if there is a build-up of frost on the outdoor coil. Outdoor fan and indoor blower operation is terminated during the defrost cycle.  
Defrost LED is lit on the indoor unit panel on the front cover during a defrost cycle.

### **Reversing Valve**

4-way interchange reversing valve effects a rapid change in direction of refrigerant flow resulting in quick changeover from cooling to heating and vice versa.  
Valve operates on pressure differential between outdoor unit and indoor unit of the system.

## **CABINET**

Constructed of heavy gauge steel.  
Tabs on unit base allow secure mounting to slab.  
Condensate drain outlets furnished on unit base. Drain must be field furnished.  
Pan heater prevents ice build-up in the bottom of the unit during heating operation.  
Access cover for power and control wiring connections.  
Access cover for service valves.

## FEATURES AND BENEFITS - INDOOR UNITS

### WALL-MOUNTED INDOOR UNITS



Low-sound, three-speed Wall Mount with LED display offers three access points for refrigerant outlet pipes: left, right or rear. The front panel can be raised for accessible wiring and maintenance. Swing louver angles to 90°. Unit installs horizontally on a vertical wall.

- **Pre-Heat Function** - Delays the operation of the fan until the indoor coil has reached a pre-determined temperature which prevents the discharge of cold air while the system is operating in the “heating” mode.
- **LED Readout** - Mounted on unit. LED displays unit operation status, and codes for maintenance and servicing.
- **Auto Restart** - Automatically restores the previous function setting if power is interrupted.
- **Cooling Override** - Button on the indoor unit allows a temporary 30 minute override of the system for forced “AUTO” or “COOLING” operation.
- **Flare Connections** - Equipped with liquid and gas flare fittings for quick and secure piping.
- **Multi-Refrigerant Outlet** - Allows left, right, or rear access for refrigeration line connection.
- **Three Speed Fan** - Fan functions at three speeds: low, medium and high.
- **Air Filter** - Cleanable air filter is furnished as standard.

### CASSETTE INDOOR UNITS



Low-sound and encased in galvanized steel, the Cassette unit with LED display offers 360° airflow for immediate, equal distribution of wide-range cooling and heating.

- **360° Airflow Panel** - Allows for even, wide-range cooling and heating.
- **Pre-Heat Function** - Delays the operation of the fan until the indoor coil has reached a pre-determined temperature which prevents the discharge of cold air while the system is operating in the “heating” mode.
- **LED Readout/Infrared Receiver Panel** - Mounted on unit. LEDs display unit operation status, and codes for maintenance and servicing. Infrared receiver for use with wireless remote controller (furnished).
- **Auto Restart** - Automatically restores the previous function setting if power is interrupted.
- **Cooling Override** - Button on the indoor unit allows a temporary 30 minute override of the system for forced “AUTO” or “COOLING” operation.
- **Built-In Condensate Pump** - Maximum lift - 27-1/2 in.
- **Compact Design** - Allows accessible wiring and space-saving installation with reduced width and depth.
- **Flare Connections** - Equipped with liquid and gas flare fittings for quick and secure piping.
- **Three Speed Fan** - Fan functions at three speeds: low, medium and high.
- **Turbo Fan With Backward Curved Blades** - Reduces sound levels and air resistance.
- **Air Filter** - Cleanable air filter is furnished as standard.



**NOTE - The cassette panel must be ordered separately. See Specifications table for ordering information.**

## MEDIUM STATIC DUCTED INDOOR UNITS



Slim, compact design for limited space requirements. Installs out of sight between the drop ceiling and ceiling slab with ducted distribution to the indoor space.

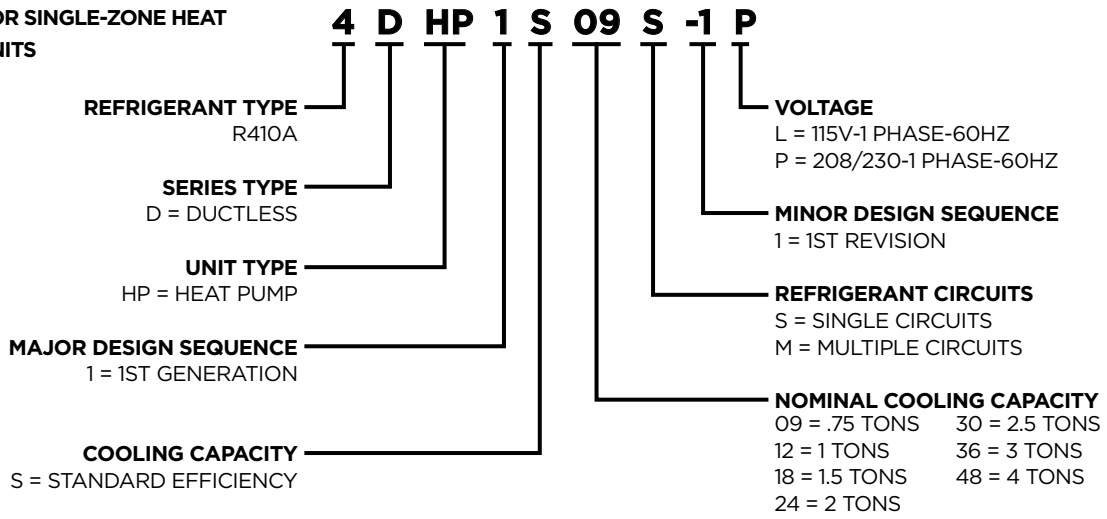
- **Pre-Heat Function** - Delays the operation of the fan until the indoor coil has reached a pre-determined temperature which prevents the discharge of cold air while the system is operating in the "heating" mode.
- **LED Readout Panel** - Mounted in the unit control box unit. LEDs display unit operation status, and codes for maintenance and servicing.
- **Auto Restart** - Automatically restores the previous function setting if power is interrupted.
- **Cooling Override** - Button on the indoor unit allows a temporary 30 minute override of the system for forced "AUTO" or "COOLING" operation.
- **Built-In Condensate Pump** - 27-1/2 inch lift.
- **Duct Connections** - Return air connections can be made horizontally or from the bottom of the unit with interchangeable panel.
- **Flare Connections** - Equipped with liquid and gas flare fittings for quick and secure piping.
- **Three Speed Fan** - Fan functions at three speeds: low, medium and high.
- **Air Filter** - Cleanable air filter is furnished as standard.

### **AUTO CHANGEOVER OPERATION**

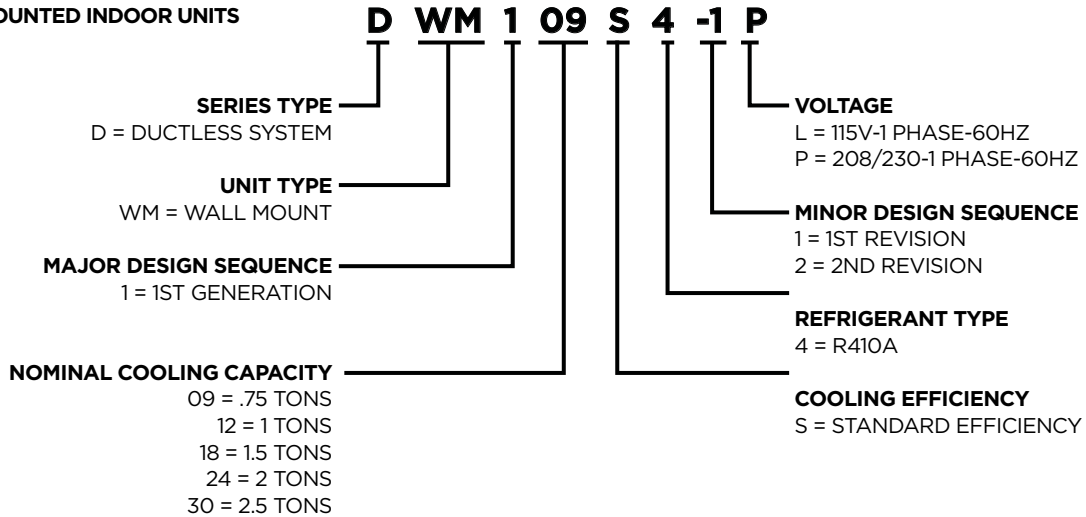
If the indoor unit is set to "AUTO" mode the unit will operate in cooling, heating or fan mode based on temperature setting. Fan runs in auto mode.

**MODEL NUMBER GUIDE**

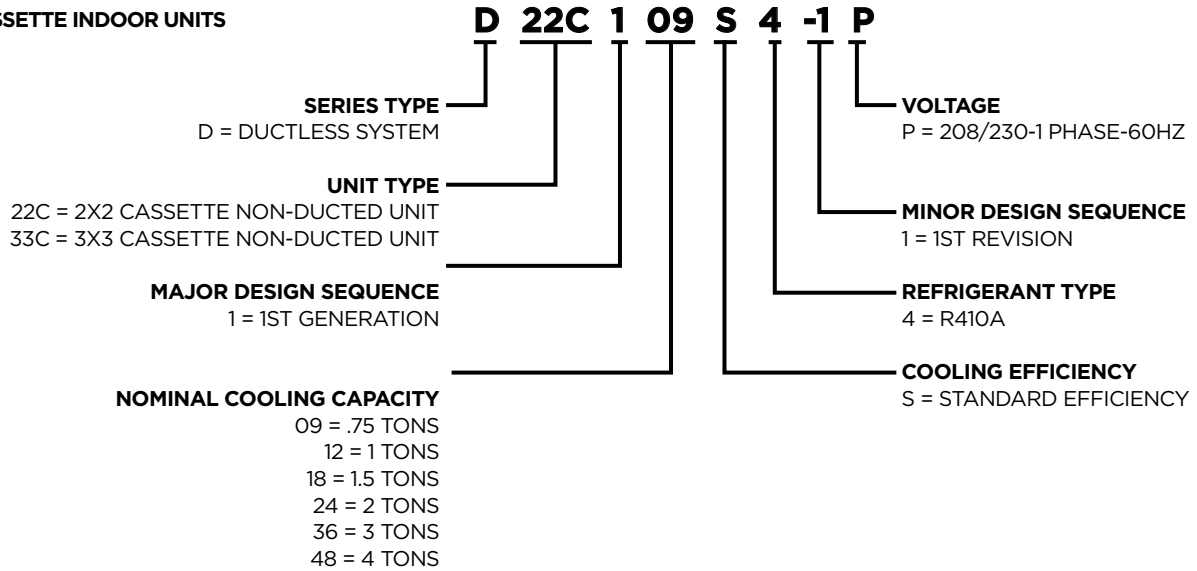
**OUTDOOR SINGLE-ZONE HEAT PUMP UNITS**



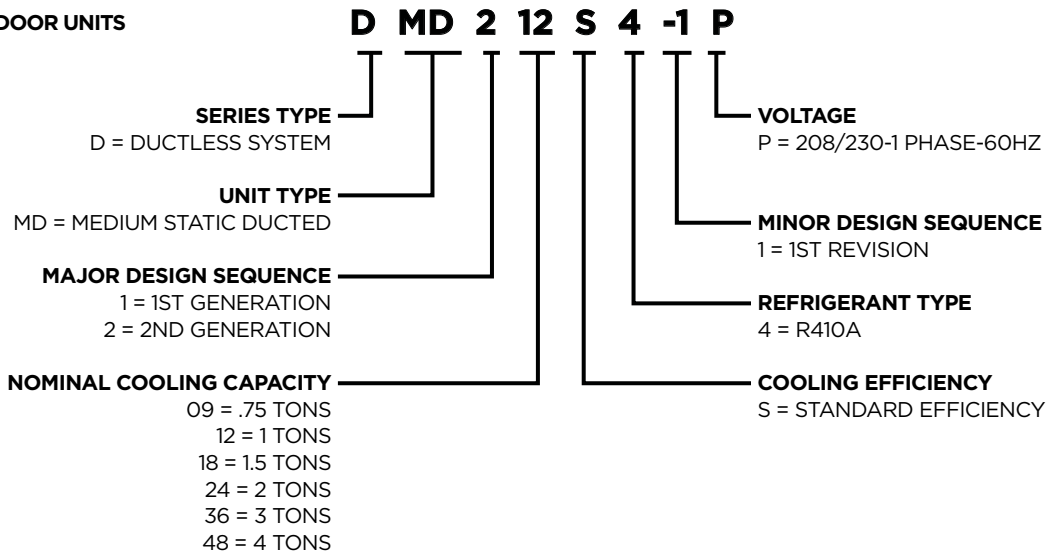
**WALL-MOUNTED INDOOR UNITS**



**CASSETTE INDOOR UNITS**

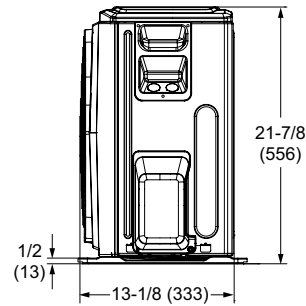
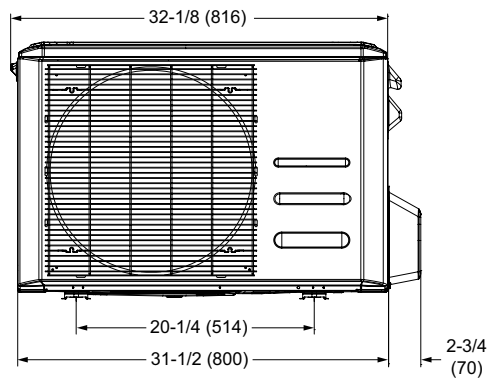
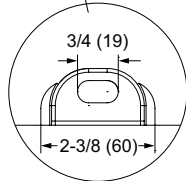
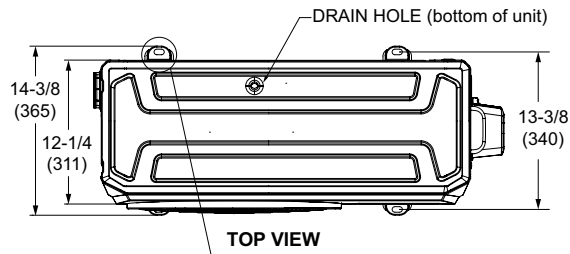


**DUCTED INDOOR UNITS**

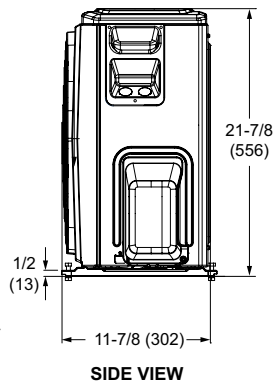
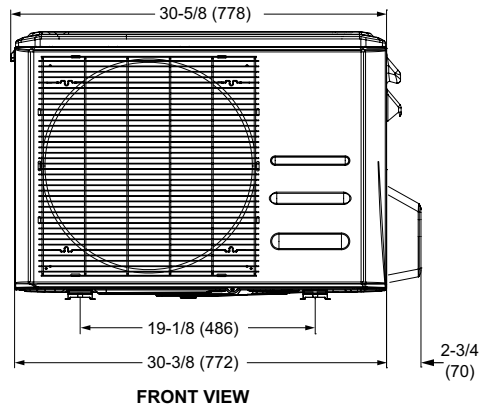
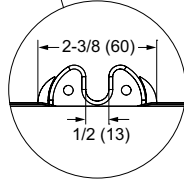
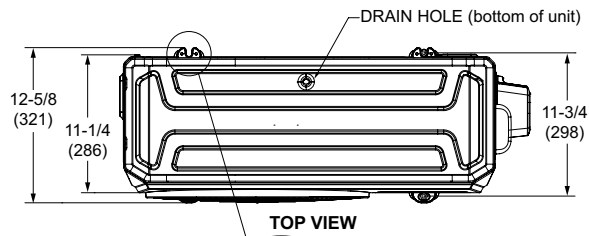


**DIMENSIONS - OUTDOOR UNITS - INCHES (MM)**

**4DHP1S09S (115V), 4DHP1S12S (115V and 208/230V)**

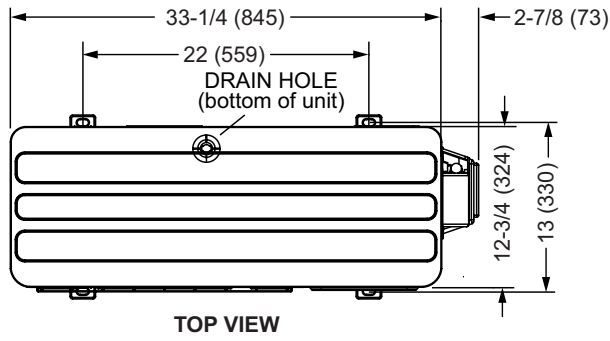


**4DHP1S09S (208/230V)**

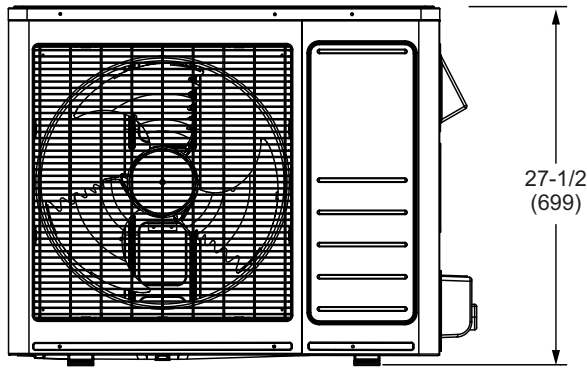




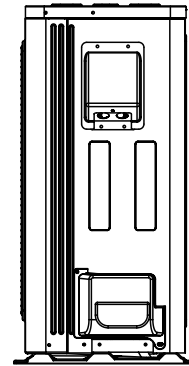
**4DHP1S18S**



**TOP VIEW**

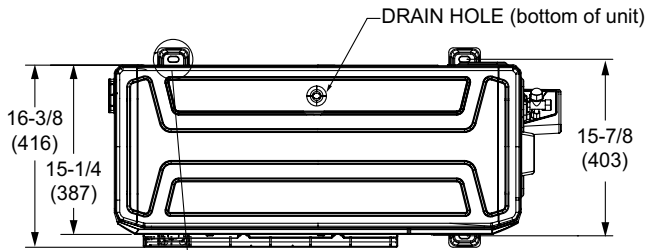


**FRONT VIEW**

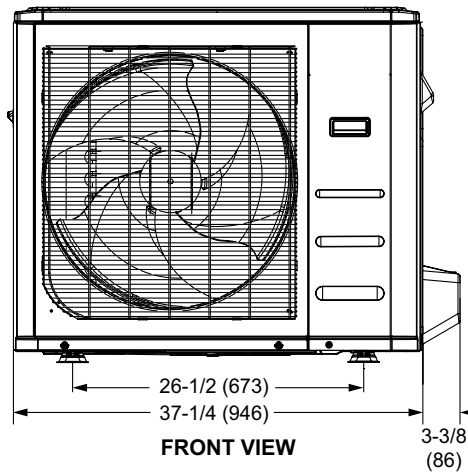
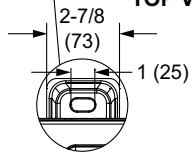


**SIDE VIEW**

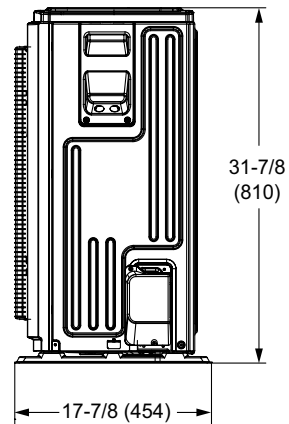
**4DHP1S24S, 4DHP1S30S, 4DHP1S36S**



**TOP VIEW**

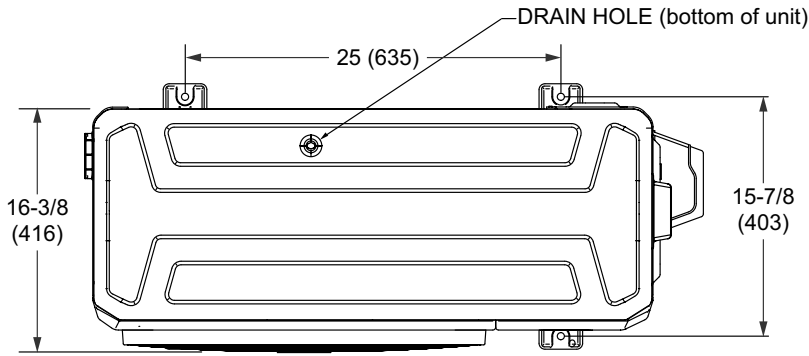


**FRONT VIEW**

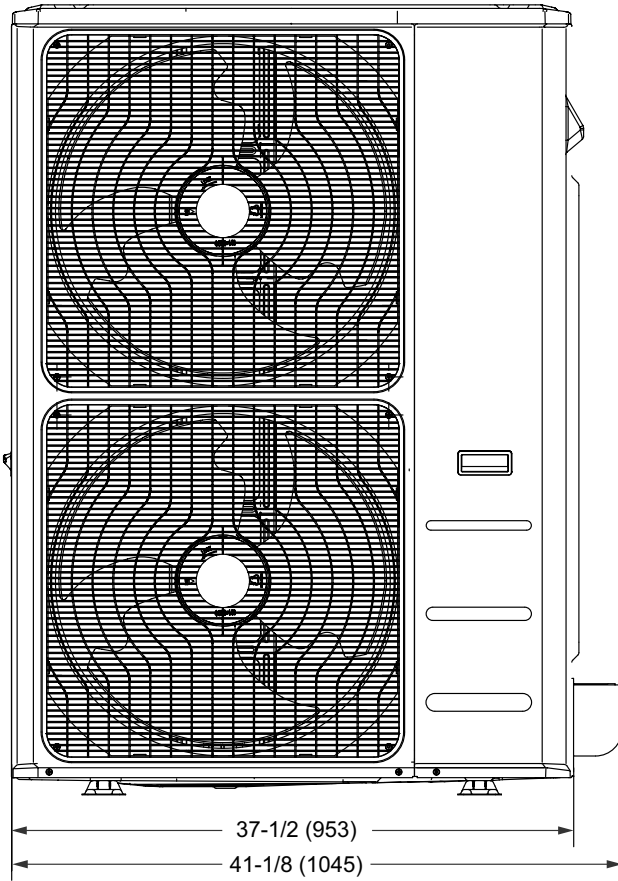


**SIDE VIEW**

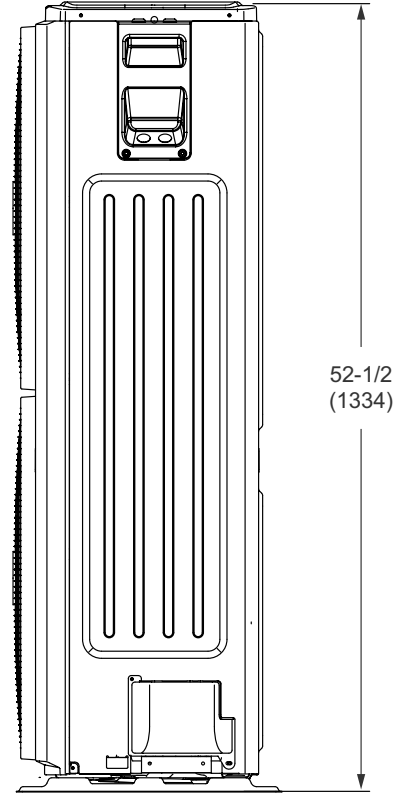
**4DHP1S48S**



**TOP VIEW**

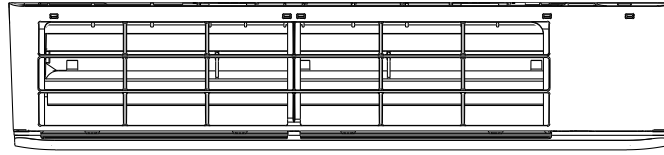


**FRONT VIEW**

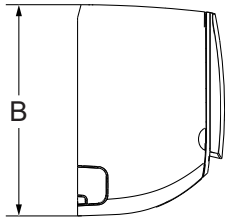


**SIDE VIEW**

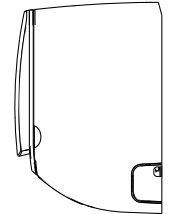
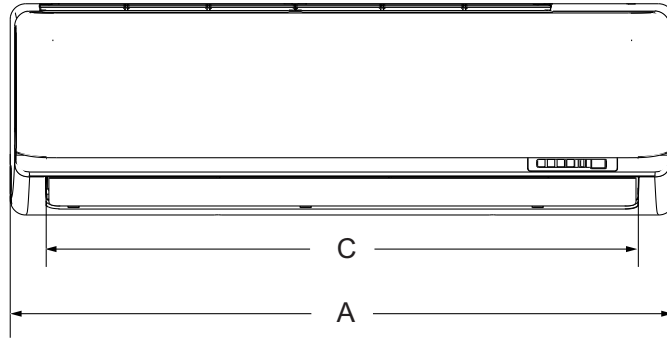
**DIMENSIONS - WALL MOUNTED INDOOR UNITS - INCHES (MM)**



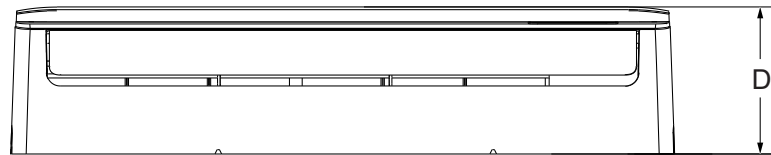
**TOP VIEW**



**SIDE VIEW**



**SIDE VIEW**

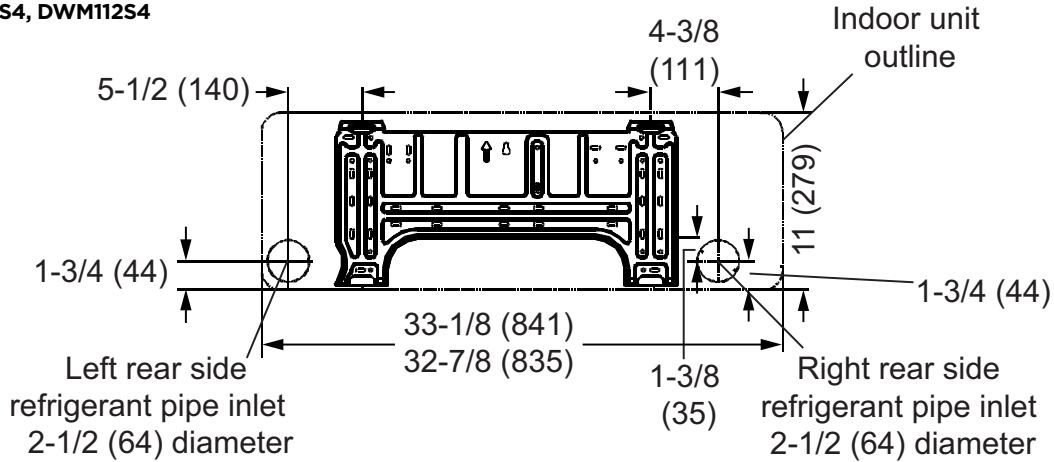


**BOTTOM VIEW**

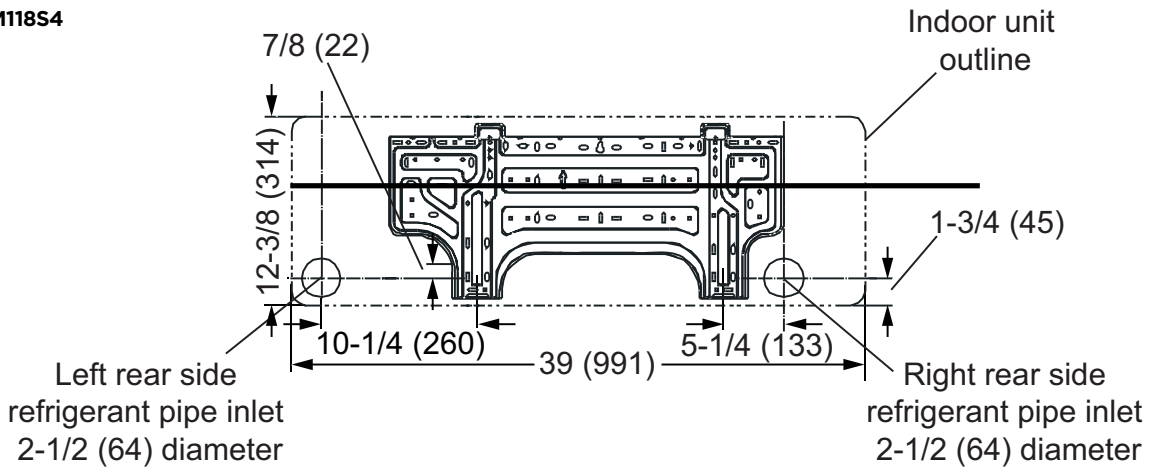
SIZE	A		B		C		D	
	IN.	MM	IN.	MM	IN.	MM	IN.	MM
DWM109S4-1L DWM112S4-1L	32-7/8	835	11	279	29-1/4	743	7-7/8	200
DWM109S4-1P DWM112S4-1P	33-1/8	841	11	279	29-1/4	743	8-1/4	210
DWM118S4-1P	39	991	12-3/8	314	34-3/4	883	8-5/8	219
DWM124S4-1P DWM130S4-1P	46-3/4	1187	13-1/2	343	42-1/2	1080	10-1/4	260

**DIMENSIONS - WALL MOUNTED INDOOR UNITS - WALL PLATES - INCHES (MM)**

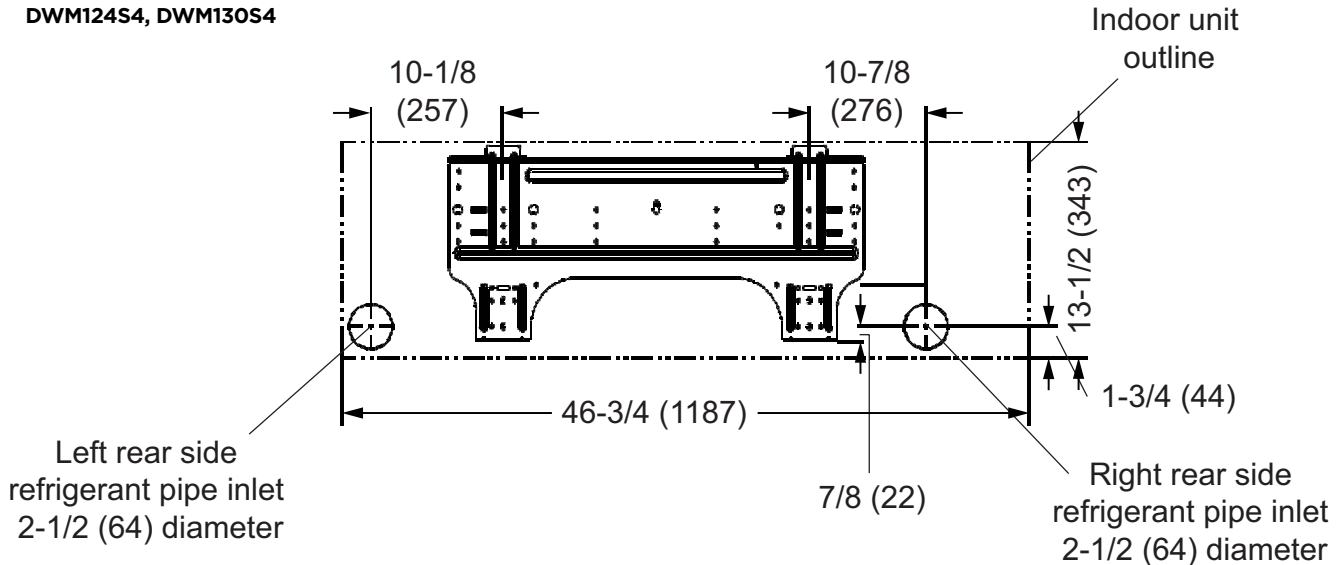
DWM109S4, DWM112S4



DWM118S4

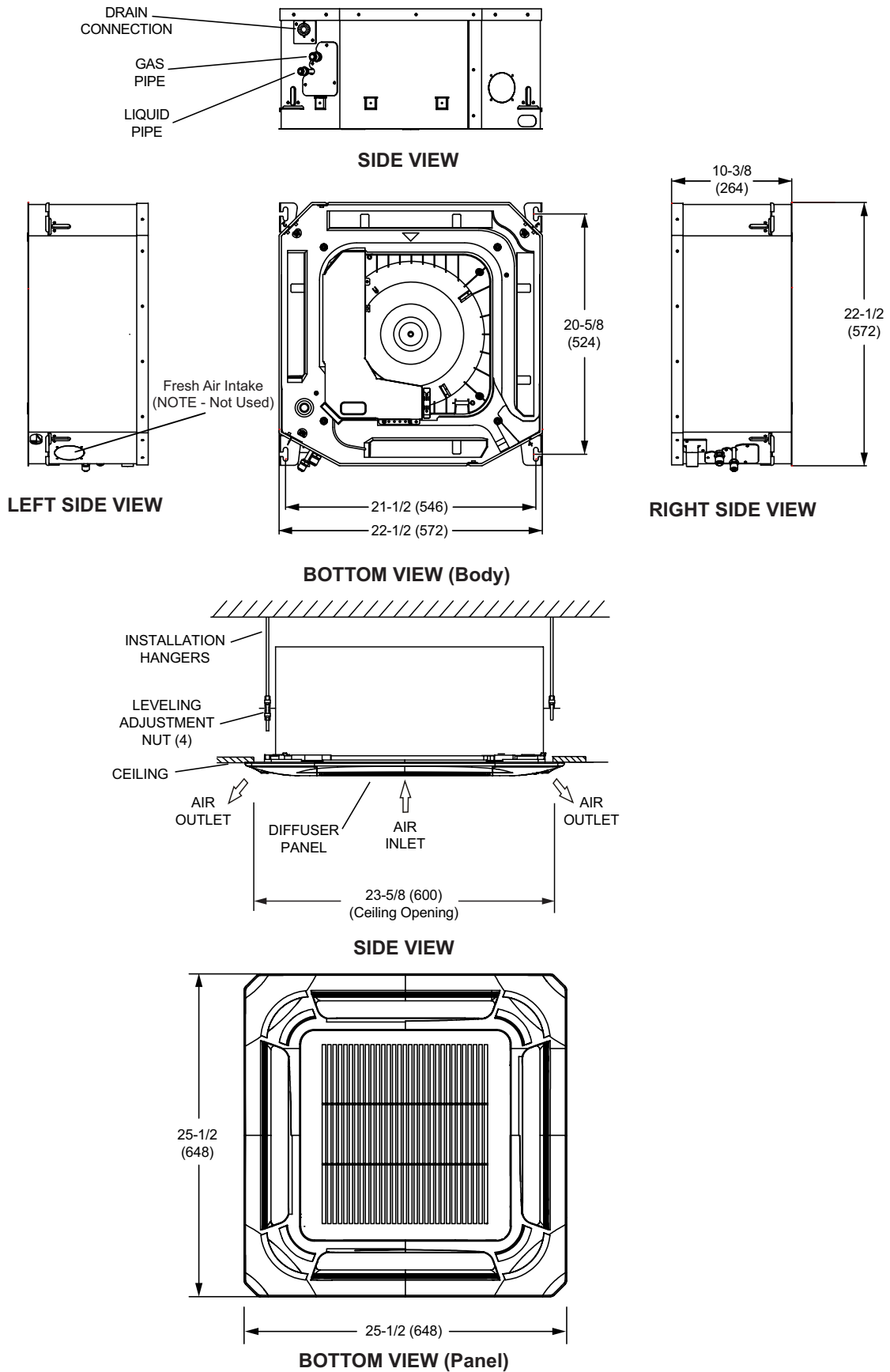


DWM124S4, DWM130S4

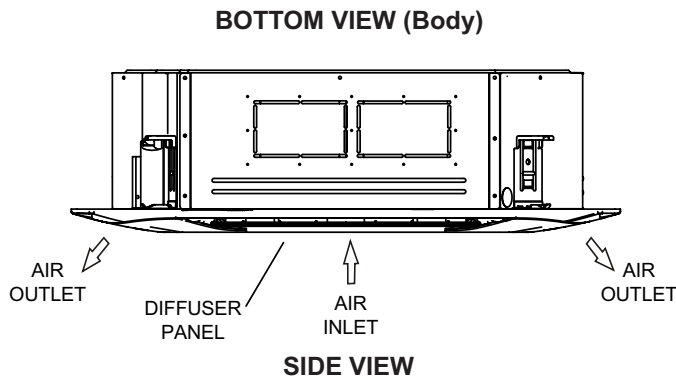
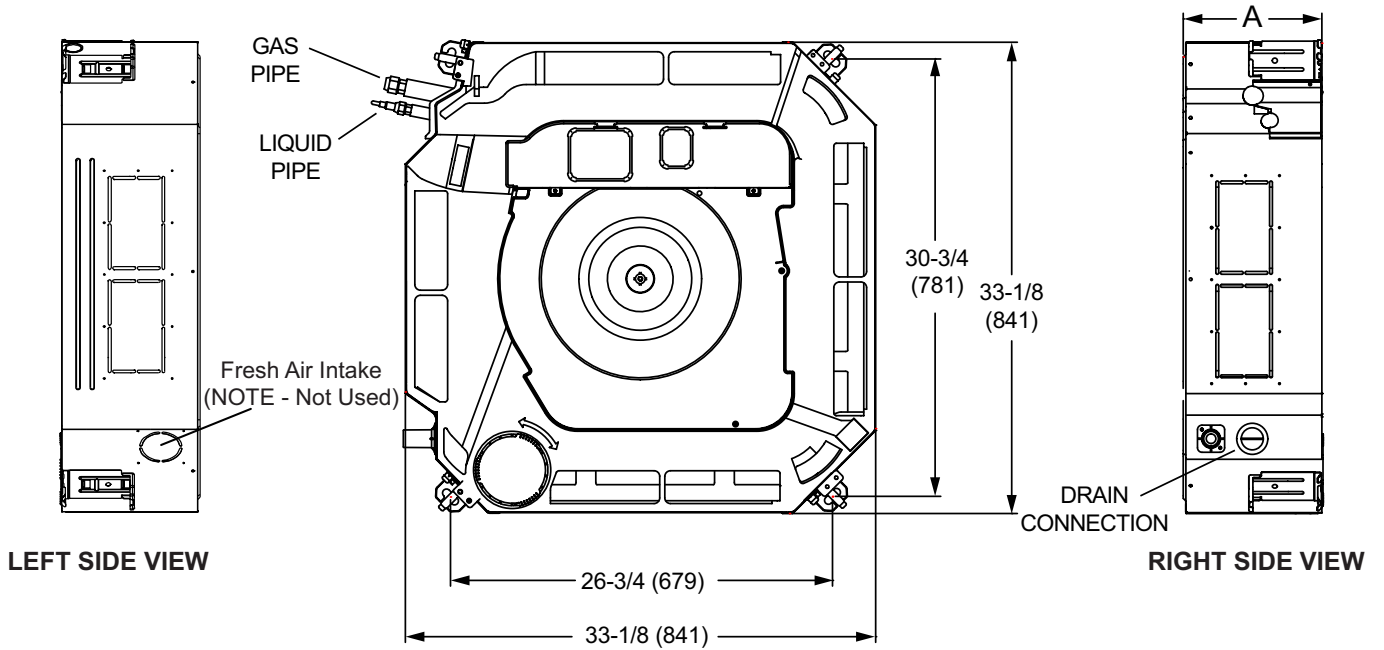


**DIMENSIONS - CASSETTE INDOOR UNITS - INCHES (MM)**

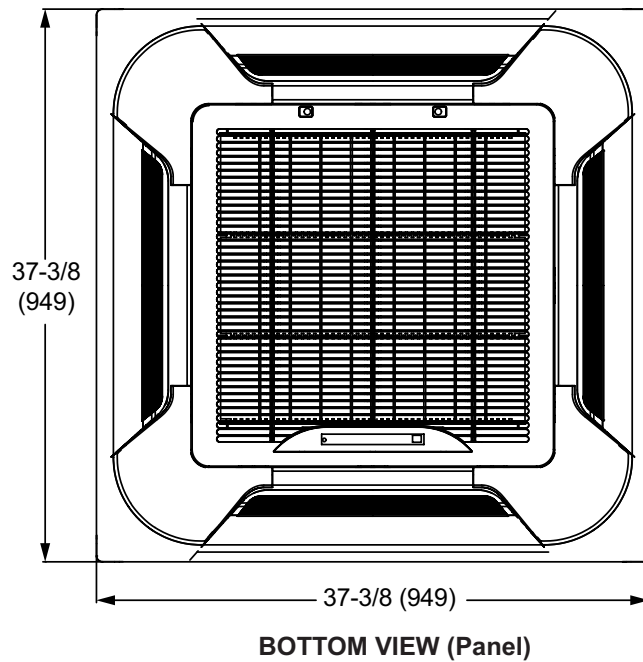
D22C109S4, D22C112S4, D22C118S4



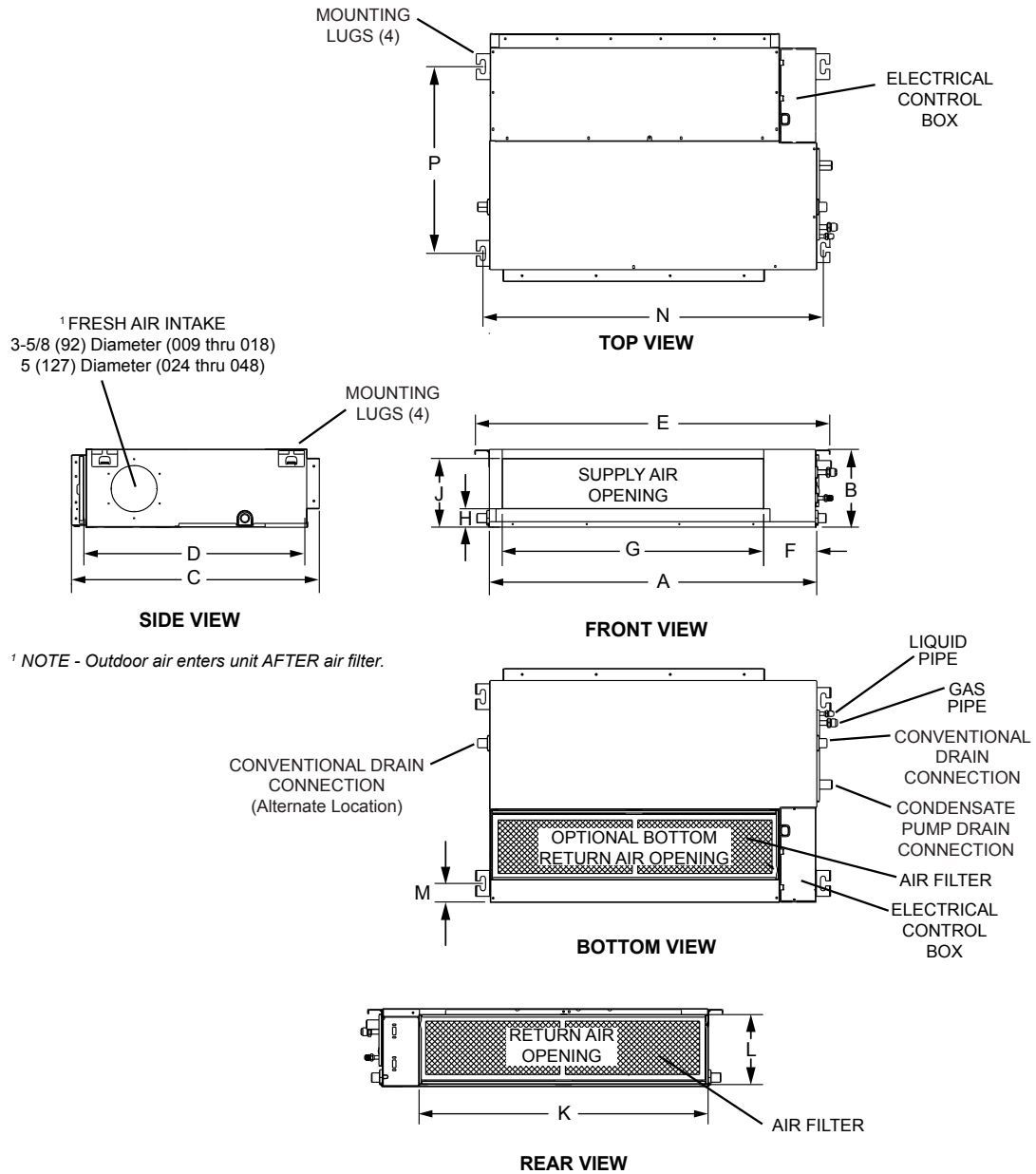
D33C124S4, D33C136S4, D33C148S4



SIZE	A	
	IN.	MM
024	8-1/8	206
036	9-5/8	244
048	11-1/4	286



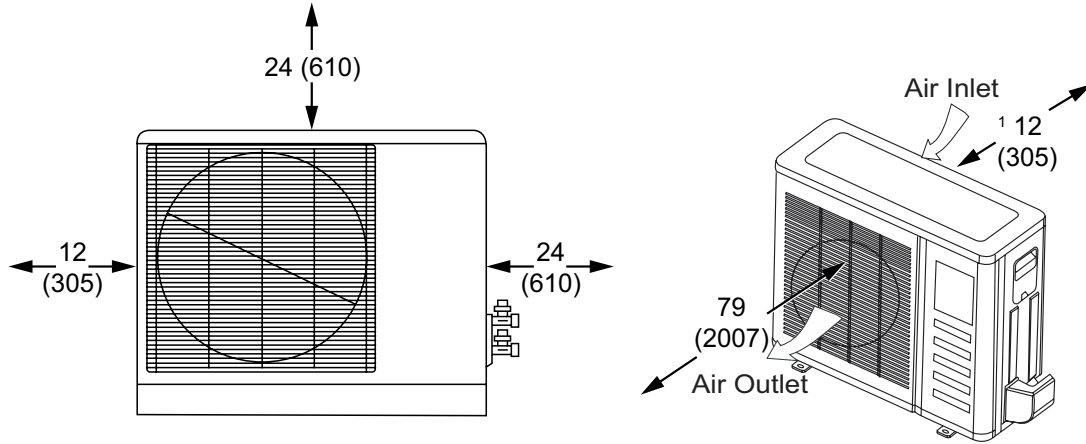
**DIMENSIONS - MEDIUM STATIC DUCTED INDOOR UNITS - INCHES (MM)**



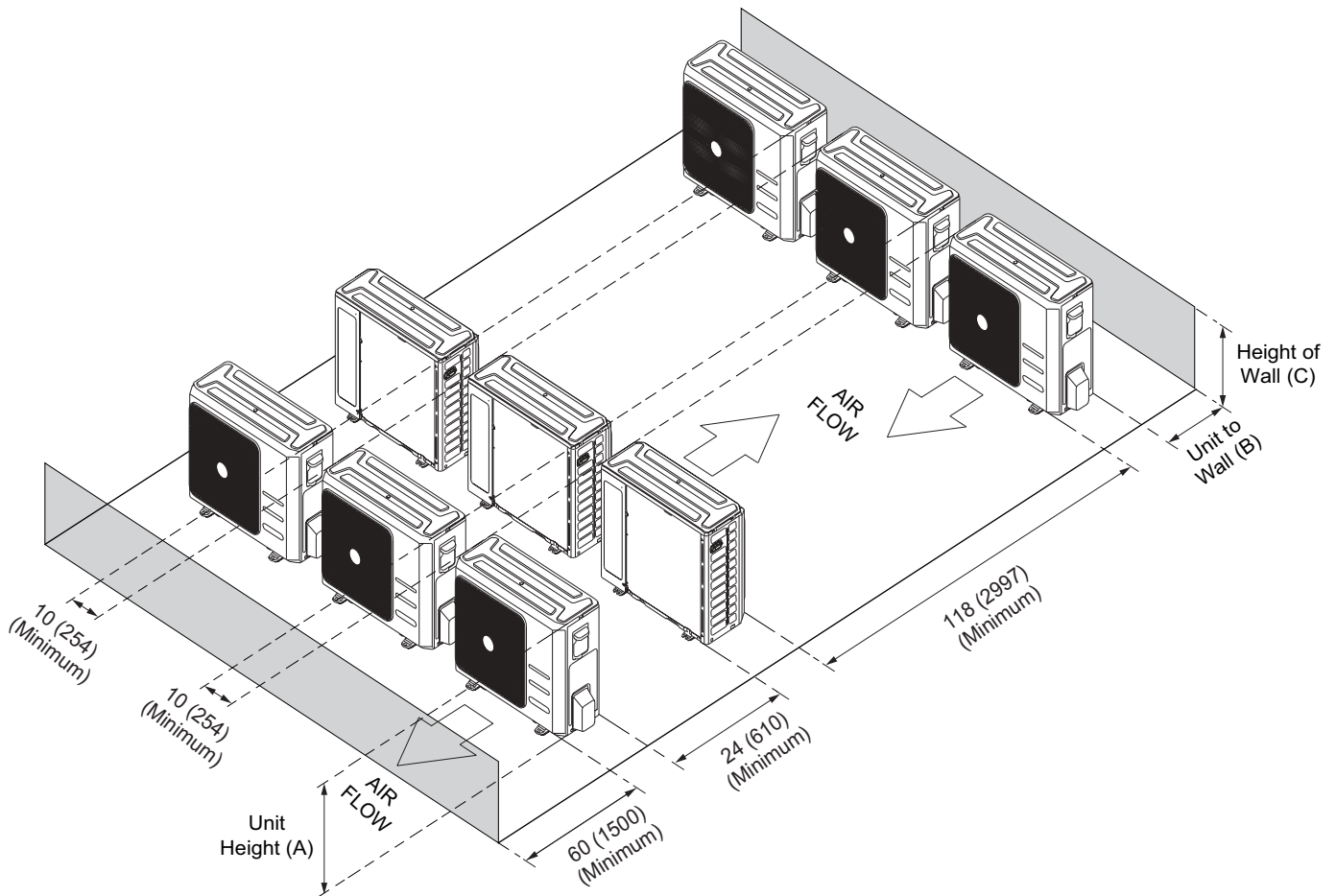
SIZE	A		B		C		D		E		F		G		H	
	IN.	MM	IN.	MM	IN.	MM	IN.	MM	IN.	MM	IN.	MM	IN.	MM	IN.	MM
009 thru 012	27-5/8	702	7-7/8	200	19-7/8	505	17-3/4	451	30-3/4	781	5-3/8	137	21-1/8	537	1-1/8	29
018	34-5/8	879	8-1/4	210	26-1/2	673	23-5/8	600	37-7/8	962	5-1/2	140	27-3/4	705	2	51
024	43-1/4	1099	9-3/4	248	30-1/2	775	27-1/2	699	46-1/2	1181	5-1/2	140	36-1/2	927	2	51
036	53-1/2	1359	9-3/4	249	30-1/2	775	27-1/2	699	56-3/4	1441	5-1/2	140	46-3/4	1187	2	51
048	47-1/4	1200	11-7/8	302	34-3/8	873	31-1/2	800	50-1/2	1283	4-7/8	124	41-1/8	1045	2	51

SIZE	J		K		L		M		N		P	
	IN.	MM	IN.	MM	IN.	MM	IN.	MM	IN.	MM	IN.	MM
009 thru 012	6	152	23-5/8	600	7-3/8	187	2	51	29-1/8	740	14-1/8	359
018	5-3/8	137	30-3/4	781	7-1/2	191	1-5/8	41	36-1/4	921	20	508
024	6-7/8	175	39-3/8	1000	9	229	1/4	6	44-7/8	1140	23-1/2	597
036	6-7/8	175	49-5/8	1260	9	229	1/4	6	55-1/8	1400	23-1/2	597
048	9	229	43-3/8	1102	11	279	1/4	6	48-7/8	1241	27-1/2	699

**INSTALLATION CLEARANCES - OUTDOOR UNITS - INCHES (MM)**



<sup>1</sup> Minimum rear clearance can be 6 inches (152 mm) when mounted on brackets and with no obstructions on the other three sides.



**CLEARANCE NOTES FOR MULTIPLE UNITS:**

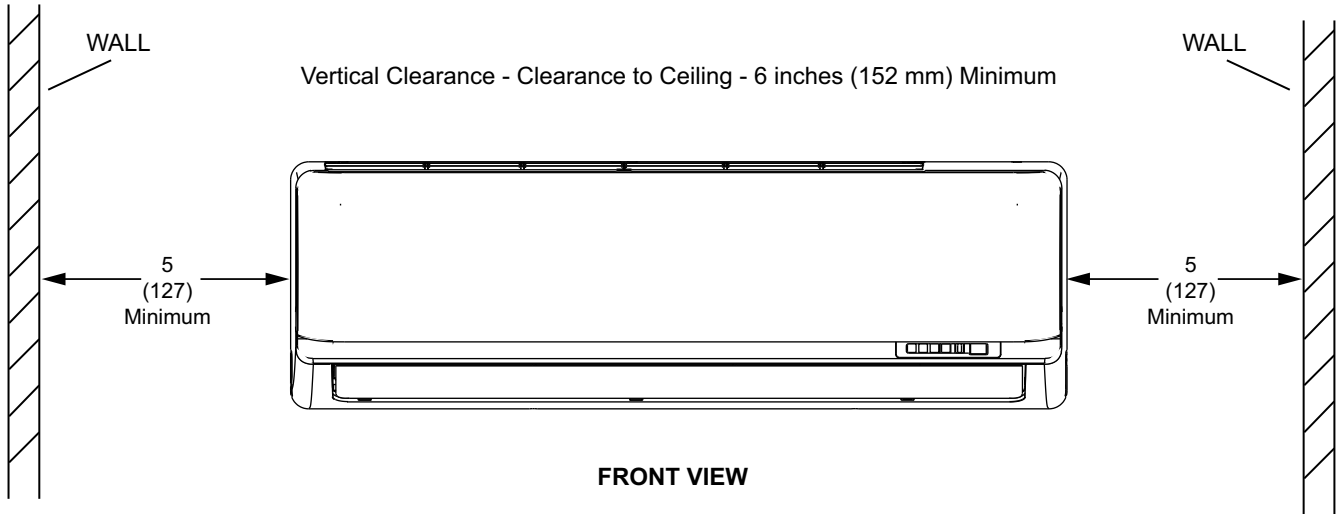
If the height of the wall (C) is less than or equal to the height of the smallest unit (A), the distance from the unit to the wall (B) must be a minimum of 10 inches (254 mm).

If 1/2 the height of the unit (A) is less than the height of the wall (C), the distance from the unit to the wall (B) must be a minimum of 12 inches (305 mm).

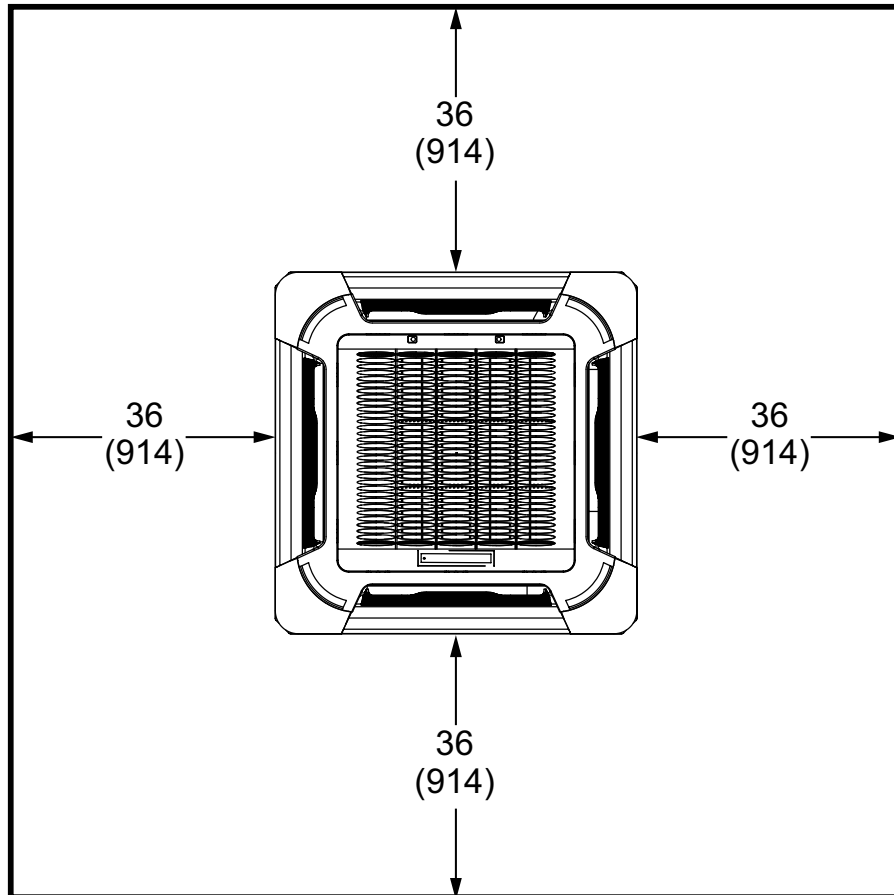
If the height of the wall (C) is greater than the height of the unit (A), the distance from the unit to the wall (B) must be a minimum of 20 inches (508 mm).



**INSTALLATION CLEARANCES - WALL-MOUNTED INDOOR UNITS - INCHES (MM)**



**INSTALLATION CLEARANCES - CASSETTE INDOOR UNITS - INCHES (MM)**



**Minimum Vertical Clearances:**

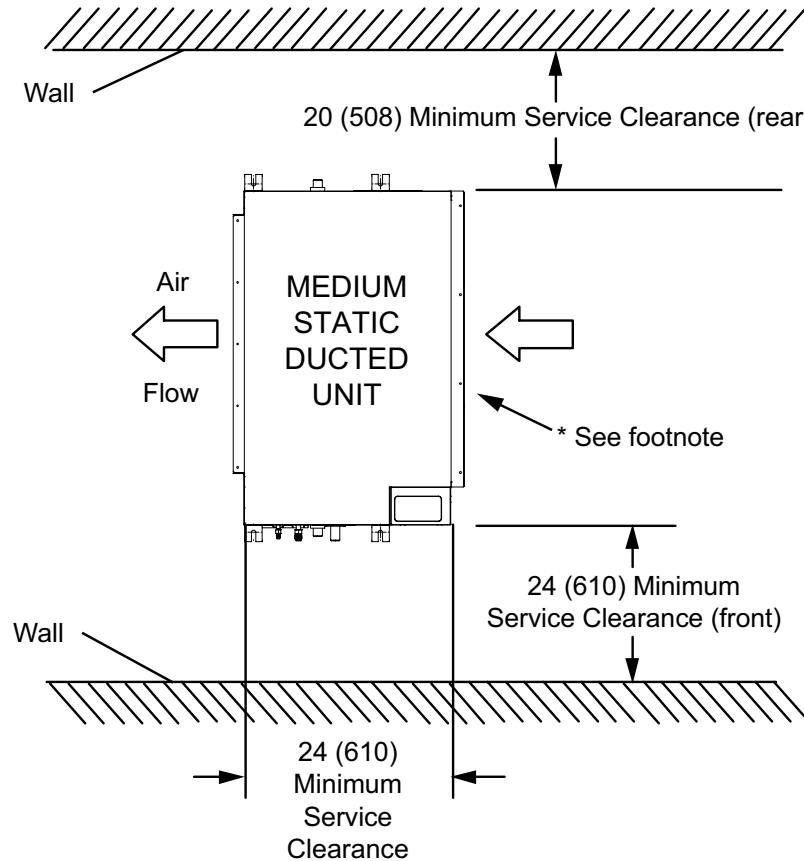
Minimum Clearance from Structural Ceiling to Drop Ceiling:

10-1/4 inches (260 mm) - 009, 012, 018, 024 models

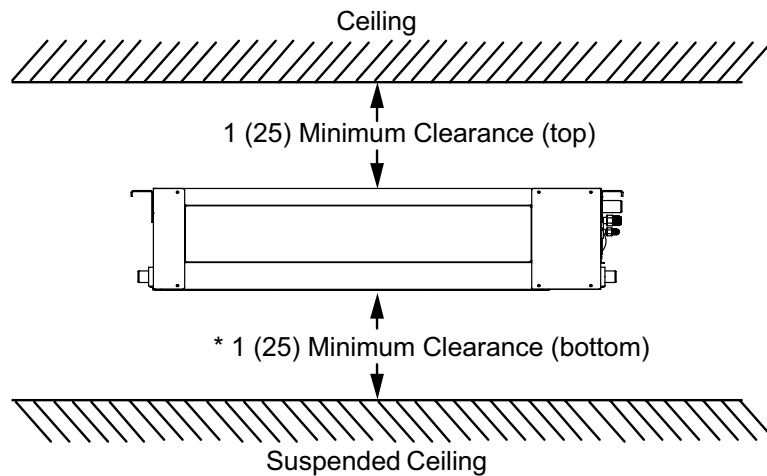
13 inches (330 mm) - 036, 048 models

Minimum Clearance to Floor - 98-1/2 inches (2500 mm)

**INSTALLATION CLEARANCES - MEDIUM STATIC DUCTED INDOOR UNITS - INCHES (MM)**



**TOP VIEW**

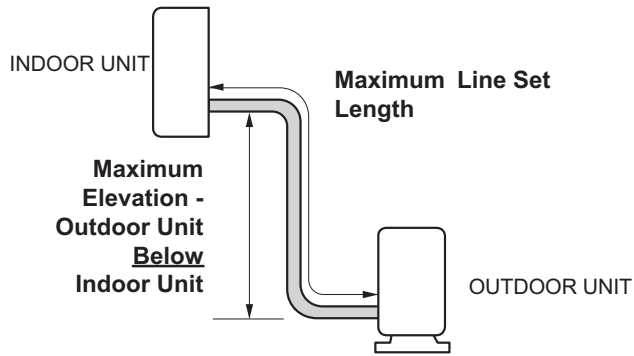


**\* NOTE - Bottom unit clearance can be 1 inch (25 mm), but allow 12 inches for filter removal on end return air applications**

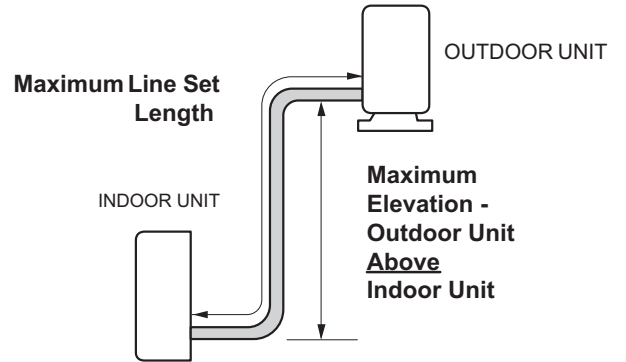
**FRONT VIEW**

**LINE SET AND ELEVATION GUIDELINES**

**Outdoor Unit BELOW Indoor Unit**



**Outdoor Unit ABOVE Indoor Unit**



SIZE	LINE SET DIAMETERS (IN.)		MAXIMUM ELEVATION - OUTDOOR UNIT <u>BELOW</u> INDOOR UNIT FT. (M)	MAXIMUM ELEVATION - OUTDOOR UNIT <u>ABOVE</u> INDOOR UNIT FT. (M)	MAXIMUM LINE SET LENGTH FT. (M)
	LIQUID	GAS			
009	1/4	3/8	33 ft. (10 m)	33 ft. (10 m)	82 ft. (25 m)
012	1/4	1/2	33 ft. (10 m)	33 ft. (10 m)	82 ft. (25 m)
018	1/4	1/2	66 ft. (20 m)	66 ft. (20 m)	98 ft. (30 m)
024, 030	3/8	5/8	82 ft. (25 m)	82 ft. (25 m)	164 ft. (50 m)
036, 048	3/8	5/8	98 ft. (30 m)	98 ft. (30 m)	213 ft. (65 m)

**SPECIFICATIONS - OUTDOOR UNITS**

MODEL NUMBER		4DHP1S09S-1L	4DHP1S12S-1L	4DHP1S09S-1P	4DHP1S12S-1P	4DHP1S18S-1P	4DHP1S24S-1P	4DHP1S30S-1P	4DHP1S36S-1P	4DHP1S48S-1P	
NOMINAL SIZE- TONS		0.75	1	0.75	1	1.5	2	2.5	3	4	
AMBIENT TEMP. OPERATING RANGE-°F	COOLING	-13 - 122									
	HEATING	-13 - 86									
SOUND DATA	dBA	52.5	55		60	61	59	66	62.5		
REFRIGERANT	CHARGE FURNISHED (R410A) - OZ.	44	39	41	69	83	91	108	148		
	MAX LINE LENGTH - FT.	25									
	CHARGE REQUIRED/ ADDITIONAL FT. - OZ.	0.16					0.32				
COMPRESSOR	TYPE	(1) Rotary						Twin-Rotary			
	REFRIGERANT OIL TYPE	Ester Oil VG74					POE Oil VG74			Ester Oil VG74	
	REFRIGERANT OIL CHARGE - OZ.	12.5			15.2	22.7		33.8	47.3		
CONNECTIONS - IN.	LIQUID/GAS PIPE (FLARE)	1/4" / 3/8"	1/4" / 1/2"	1/4" / 3/8"	1/4" / 1/2"	1/4" / 1/2"	3/8" / 5/8"	3/8" / 5/8"	3/8" / 5/8"	3/8" / 5/8"	
	MAXIMUM REFRIGERANT PIPE LENGTH - FT.	82				98	164		213		
	MAX. DIFFERENCE IN LEVEL OF INDOOR UNIT - FT.	33				66	82		98		
OUTDOOR FAN	(NO.) DIAMETER - IN.	(1) - 17				(1) - 19	(1) - 20			(2) - 22	
	TOTAL AIR VOLUME - CFM	1200				1470	2235	2130	2530	4470	
	RPM	800/750/650	800/700/650	800/750/650	800/700/650	850/750/700	810/700/500	810/700/500	950	(2) 900	
OUTDOOR COIL	NUMBER OF ROWS	2					2.6		2		
	FINS PER INCH	21	18	21	18			19	18		
	FIN TYPE	Hydrophilic Aluminum									
	TUBE OUTSIDE DIAMETER - IN.	5/16							3/8		
	TUBE TYPE	Rifled Copper Tubing									
	NET FACE AREA - SQ. FT.	4.66	4.09	4.66	---	8.24			6.43 (inner coil) 6.97 (outer coil)		
	APPLICATION AREA - SQ. FT.	130 - 195	170 - 250	130 - 195	170 - 250	260 - 375	345 - 505	430 - 630	515 - 755	690 - 1010	
DESIGN PRESSURE	PSIG	550/340									
SHIPPING DATA	NET/SHIPPING WEIGHT (LBS.)	80 / 86		62 / 67	77 / 83	107 / 113	137 / 149	149 / 161		218 / 246	
<b>ELECTRICAL DATA</b>											
ELECTRICAL CHARACTERISTICS - 60 HZ - 1 PHASE	MAXIMUM OVERCURRENT PROTECTION (AMPS)	115V			208/230V						
		20	20	15	15	20	25	30	50	50	
	MINIMUM CIRCUIT AMPACITY	15	15	10	12	15	18	20	30	35	
	COMPRESSOR RATED LOAD AMPS	9	10	5.5	6.8	10.5	12	15	22	23.5	
OUTDOOR FAN MOTOR	RATED LOAD AMPS	0.6	0.6	0.4	0.4	0.6	0.6	0.6	1.0	(2) 0.39	
	OUTPUT - W	40				50	120				(2) 85

NOTE - Extremes of operating range are plus and minus 10% of line voltage.

<sup>1</sup> HACR type circuit breaker or fuse.

<sup>2</sup> Refer to National or Canadian Electrical Code manual to determine wire, fuse and disconnect size requirements.

## SPECIFICATIONS - WALL MOUNTED INDOOR UNITS

MODEL NUMBER		DWM109S4-1L	DWM112S4-1L	DWM109S4-1P	DWM112S4-1P	DWM118S4-1P	DWM124S4-1P	DWM130S4-1P
NOMINAL SIZE- TONS		0.75	1	0.75	1	1.5	2	2.5
ELECTRICAL CHARACTERISTICS	60 HZ - 1 PHASE	115V		208/230V				
	RATED LOAD AMPS	0.25		0.06	0.06	0.13	0.3	0.5
	INPUT (W)	25		50	50	64	72	72
ROOM TEMP RANGE (°F)	COOLING	62 -90						
	HEATING	32 - 86						
AIR VOLUME (CFM)	HIGH/MED/LOW	365/265/195		370/270/195	370/275/200	530/410/295	695/625/485	795/645/500
SOUND DATA (DBA)	HIGH/MED/LOW	42/33/24		41.7/33.4/26.5	45.1/35.8/28.6	46.2/36.3/30.9	51.7/44.5/35.1	49/42/37.5
CONNECTIONS (IN.)	LIQUID/GAS - O.D. - FLARE	1/4" / 3/8"	1/4" / 1/2"	1/4" / 3/8"	1/4" / 1/2"		3/8" / 5/8"	
	DRAIN - O.D.	1"						
WEIGHT (LBS.)	NET/ PACKAGING	20 / 26			20 / 27	27 / 35	40 / 54	40 / 51

## SPECIFICATIONS - CASSETTE INDOOR UNITS

MODEL NUMBER		D22C109S4-1P	D22C112S4-1P	D22C118S4-1P	D33C124S4-1P	D33C136S4-1P	D33C148S4-1P
NOMINAL SIZE- TONS		0.75	1	1.5	2	3	4
ELECTRICAL CHARACTERISTICS	60 HZ - 1 PHASE	208/230V					
	RATED LOAD AMPS	0.9	1	1.5	1.5	1.5	1.6
	INPUT (W)	45	45	45	58	141	232
ROOM TEMP RANGE (°F)	COOLING	62 -90					
	HEATING	32 - 86					
AIR VOLUME (CFM)	HIGH/MED/LOW	375/300/255	380/310/260	560/485/415	700/635/575	1095/960/810	1175/1030/855
SOUND DATA (DBA)	HIGH/MED/LOW	41/37/33	43/39/36	44/39/36	51/47/43	55/52/49	
CONNECTIONS (IN.)	LIQUID/GAS - O.D. - FLARE	1/4" / 3/8"	1/4" / 1/2"		3/8" / 5/8"		
	DRAIN - O.D.	1"				1 - 1/4"	
WEIGHT (LBS.)	NET/ SHIPPING	32 / 38	36 / 41	36 / 42	47 / 55	58 / 66	64 / 73
<b>ACCESSORY INFORMATION</b>							
CASSETTE PANEL	CATALOG #	1.861055			1.861054		
	NET/ SHIPPING WEIGHT (LBS.)	6 / 10			12 / 18		

## SPECIFICATIONS - MEDIUM STATIC DUCTED INDOOR UNITS

MODEL NUMBER		DMD209S4-1P	DMD212S4-1P	DMD218S4-1P	DMD224S4-1P	DMD236S4-1P	DMD248S4-1P
NOMINAL SIZE- TONS		0.75	1	1.5	2	3	4
ELECTRICAL CHARACTERISTICS	60 HZ - 1 PHASE	208/230V					
	RATED LOAD AMPS	0.9	1	1.2	1.5	2.45	4.1
	INPUT (W)	100	100	96	96	150	206
ROOM TEMP RANGE (°F)	COOLING	62 -90					
	HEATING	32 - 86					
AIR VOLUME (CFM)	HIGH/MED/LOW	340/270/165		505/430/350	735/660/415	1025/865/670	1230/1030/715
SOUND DATA (DBA)	HIGH/MED/LOW	38/32/25	38/33.5/26	39/37/35	44/41/36	45.5/42.5/39	50.5/48.5/46
CONNECTIONS (IN.)	LIQUID/GAS - O.D. - FLARE	1/4" / 3/8"	1/4" / 1/2"		3/8" / 5/8"		
	DRAIN - O.D.	1"					
WEIGHT (LBS.)	NET/ SHIPPING	38 / 49		54 / 66	87 / 103	106 / 122	120 / 142

## AHRI SYSTEM MATCHES

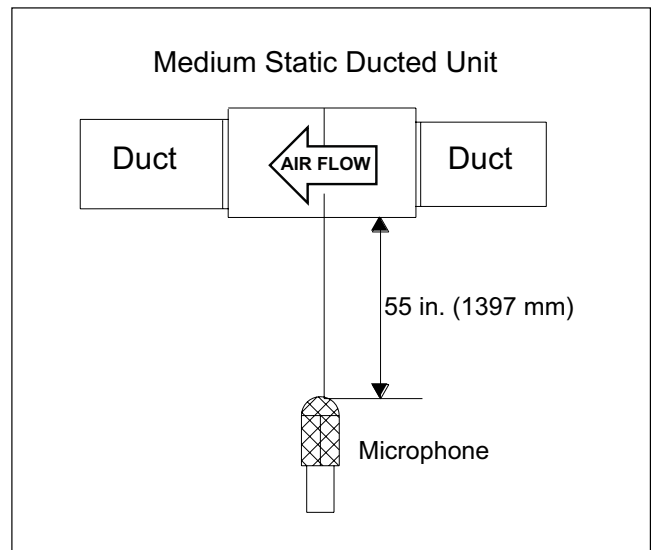
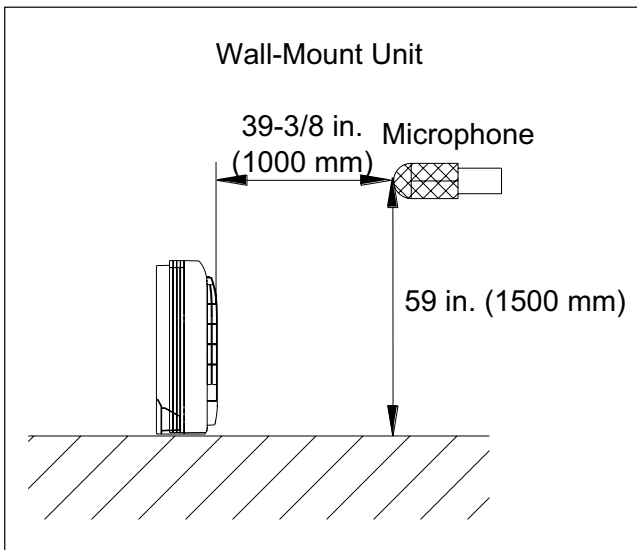
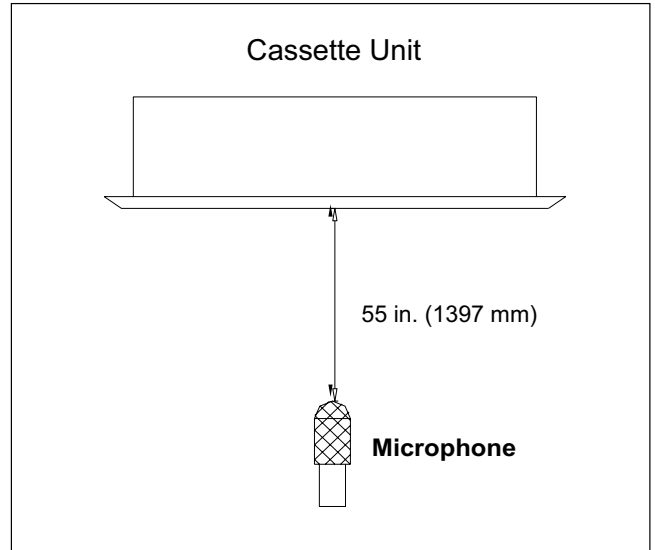
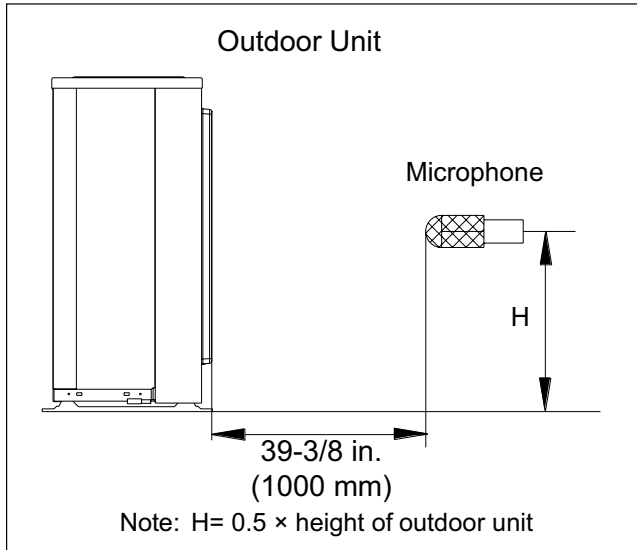
INDOOR UNIT TYPE	OUTDOOR UNIT	INDOOR UNIT	COOLING CAPACITY	SEER	EER	HEAT CAPACITY 47F	HSPF (IV)
WALL-MOUNTED NON-DUCTED	4DHPIS09S-1L	DWM109S4-1L	9,500	24.5	15	11,000	11.2
	4DHPIS12S-1L	DWM112S4-1L	12,000	22	13	12,000	10.2
	4DHPIS09S-1P	DWM109S4-1P	9,000	23.5	14.9	9,800	10.8
	4DHPIS12S-1P	DWM112S4-1P	12,000	22.7	13.7	12,000	11.0
	4DHPIS18S-1P	DWM118S4-1P	18,000	21	13	18,000	10.4
	4DHPIS24S-1P	DWM124S4-1P	24,000	20.7	13.7	25,000	11.5
	4DHPIS30S-1P	DWM130S4-1P	30,000	19.8	11.5	30,000	9.4
CASSETTE NON-DUCTED	4DHPIS09S-1P	D22C109S4-1P	9,000	20	13	10,000	10.5
	4DHPIS12S-1P	D22C112S4-1P	12,000	21.5	14	12,000	10.5
	4DHPIS18S-1P	D22C118S4-1P	18,000	20	12.5	18,000	10.3
	4DHPIS24S-1P	D33C124S4-1P	24,000	20	12.5	24,400	10.5
	4DHPIS36S-1P	D33C136S4-1P	36,000	17.5	9	38,000	10.5
	4DHPIS48S-1P	D33C148S4-1P	48,000	16.8	9.5	50,000	11
MEDIUM STATIC DUCTED	4DHPIS09S-1P	DMD209S4-1P	9,000	20.5	13.5	10,000	6,800
	4DHPIS12S-1P	DMD212S4-1P	12,000	21.5	12.5	12,000	7,200
	4DHPIS18S-1P	DMD218S4-1P	18,000	19.0	12.5	18,000	12,000
	4DHPIS24S-1P	DMD224S4-1P	24,000	21.5	12.5	24,400	16,000
	4DHPIS36S-1P	DMD236S4-1P	36,000	16.5	9.0	40,000	27,600
	4DHPIS48S-1P	DMD248S4-1P	48,000	17.4	9.2	49,500	33,400

Ratings are AHRI certified to AHRI Standard 210/240-2008;

- Cooling Ratings - 80°F dry bulb/67°F wet bulb entering indoor coil air and 95°F wet bulb/75°F dry bulb outdoor air temperature.
- High Temperature Heating Ratings - 70°F dry bulb/60°F wet bulb entering indoor coil air and 47°F dry bulb/43°F wet bulb outdoor air temperature.
- Low Temperature Heating Ratings - 70°F dry bulb/60°F wet bulb entering indoor coil air and 17°F dry bulb/15°F wet bulb outdoor air temperature.

To convert HSPF from Region IV to Region V - Divide by 1.15.

**SOUND LEVELS - TEST CONDITIONS**



<b>COOLING CAPACITY - 009 (115V)</b>								
<b>OUTDOOR TEMPERATURE - °F (DRY BULB)</b>	<b>INDOOR TEMPERATURE - °F (DRY BULB / WET BULB)</b>							
	<b>65°F / 54°F</b>		<b>70°F / 59°F</b>		<b>75°F / 63°F</b>		<b>80°F / 67°F</b>	
	<b>TOTAL MBTUH</b>	<b>SENSIBLE MBTUH</b>	<b>TOTAL MBTUH</b>	<b>SENSIBLE MBTUH</b>	<b>TOTAL MBTUH</b>	<b>SENSIBLE MBTUH</b>	<b>TOTAL MBTUH</b>	<b>SENSIBLE MBTUH</b>
-13	7.54	6.16	7.77	6.35	7.97	6.51	8.18	6.69
-5	7.95	6.42	8.20	6.62	8.40	6.78	8.61	6.95
-4	8.00	6.51	8.25	6.71	8.45	6.88	8.66	7.05
0	8.31	6.68	8.57	6.89	8.78	7.06	9.02	7.25
5	8.40	6.73	8.66	6.94	8.88	7.11	9.14	7.32
15	8.45	6.75	8.71	6.96	8.93	7.14	9.21	7.36
25	8.49	6.77	8.75	6.98	8.97	7.16	9.26	7.39
35	8.53	6.77	8.79	6.98	9.01	7.16	9.32	7.41
45	8.58	6.81	8.84	7.02	9.07	7.20	9.39	7.46
55	8.49	6.78	8.75	6.99	8.97	7.16	9.46	7.56
65	8.91	7.10	9.28	7.32	9.41	7.50	9.98	7.96
75	9.37	7.46	9.66	7.69	9.90	7.88	10.50	8.36
85	9.41	7.47	9.70	7.71	9.94	7.90	11.02	8.76
95	9.53	7.55	9.83	7.78	10.07	7.96	11.84	8.89
105	8.26	7.02	8.61	7.26	8.93	7.36	10.38	8.59
110	7.75	6.12	7.99	6.44	8.19	6.63	9.86	7.69
115	7.60	5.40	7.84	5.57	8.03	5.71	9.74	6.92
122	7.15	5.06	7.37	5.22	7.56	5.35	9.22	6.52

<b>HEATING CAPACITY - 009 (115V)</b>				
<b>OUTDOOR TEMPERATURE - °F (DRY BULB)</b>	<b>INDOOR TEMPERATURE - °F (DRY BULB)</b>			
	<b>60°F</b>	<b>65°F</b>	<b>70°F</b>	<b>75°F</b>
	<b>TOTAL MBTUH</b>	<b>TOTAL MBTUH</b>	<b>TOTAL MBTUH</b>	<b>TOTAL MBTUH</b>
-13	6.29	5.44	4.58	3.73
-5	7.14	6.29	5.44	4.58
0	7.63	6.78	5.92	5.07
5	8.48	7.63	6.78	5.92
17	9.98	9.13	8.28	7.43
19.4	10.31	9.46	8.60	7.75
24.8	11.60	10.75	9.90	9.05
32	12.16	11.30	10.45	9.60
35	12.28	11.43	10.58	9.72
39.2	12.43	11.58	10.73	9.88
44.6	12.58	11.73	10.88	10.03
47	14.46	13.60	12.75	11.90
53.6	14.61	13.76	12.90	12.05
57	14.76	13.91	13.05	12.20



<b>COOLING CAPACITY - 009 (208/230V)</b>								
<b>OUTDOOR TEMPERATURE - °F (DRY BULB)</b>	<b>INDOOR TEMPERATURE - °F (DRY BULB / WET BULB)</b>							
	<b>65°F / 54°F</b>		<b>70°F / 59°F</b>		<b>75°F / 63°F</b>		<b>80°F / 67°F</b>	
	<b>TOTAL MBTUH</b>	<b>SENSIBLE MBTUH</b>	<b>TOTAL MBTUH</b>	<b>SENSIBLE MBTUH</b>	<b>TOTAL MBTUH</b>	<b>SENSIBLE MBTUH</b>	<b>TOTAL MBTUH</b>	<b>SENSIBLE MBTUH</b>
-13	7.38	5.82	7.61	6	7.8	6.15	8.01	6.32
-5	7.62	5.97	7.85	6.16	8.05	6.31	8.25	6.47
-4	7.68	6.02	7.91	6.21	8.11	6.36	8.31	6.52
0	8.03	6.34	8.28	6.54	8.49	6.7	8.72	6.88
5	8.11	6.48	8.36	6.68	8.57	6.85	8.82	7.05
15	8.22	6.48	8.47	6.68	8.68	6.84	8.96	7.06
25	8.47	6.62	8.73	6.82	8.95	6.99	9.24	7.22
35	8.54	6.75	8.8	6.96	9.02	7.13	9.33	7.38
45	8.62	6.83	8.88	7.04	9.11	7.22	9.43	7.48
55	8.61	6.92	8.88	7.13	9.1	7.31	9.49	7.63
65	8.91	7.27	9.18	7.49	9.41	7.68	9.88	8.06
75	9.29	7.49	9.58	7.72	9.82	7.91	10.33	8.32
85	9.37	7.51	9.62	7.74	9.7	7.83	10.98	8.68
95	9.68	7.54	9.98	7.86	10.23	7.94	12.03	9.74
105	8.98	7.28	9.26	7.4	9.49	7.59	11.29	9.03
110	8.53	7.2	8.79	7.23	9	7.31	10.73	8.97
115	8.03	6.83	8.28	7.05	8.49	7.03	10.29	8.63
122	7.78	6.2	8.02	6.62	8.22	6.6	10.02	8.27

<b>HEATING CAPACITY - 009 (208/230V)</b>				
<b>OUTDOOR TEMPERATURE - °F (DRY BULB)</b>	<b>INDOOR TEMPERATURE - °F (DRY BULB)</b>			
	<b>60°F</b>	<b>65°F</b>	<b>70°F</b>	<b>75°F</b>
	<b>TOTAL MBTUH</b>	<b>TOTAL MBTUH</b>	<b>TOTAL MBTUH</b>	<b>TOTAL MBTUH</b>
-13	7.37	6.52	5.67	4.82
-5	8.55	7.69	6.84	5.99
0	8.84	7.99	7.14	6.29
5	9.69	8.84	7.99	7.14
17	9.98	9.13	8.28	7.43
19.4	10.31	9.46	8.6	7.75
24.8	11.6	10.75	9.9	9.05
32	12.16	11.3	10.45	9.6
35	12.28	11.43	10.58	9.72
39.2	12.43	11.58	10.73	9.88
44.6	12.58	11.73	10.88	10.03
47	15.06	14.21	13.36	12.51
53.6	15.21	14.36	13.51	12.66
57	15.36	14.51	13.66	12.81

<b>COOLING CAPACITY - 012 (115V)</b>								
<b>OUTDOOR TEMPERATURE - °F (DRY BULB)</b>	<b>INDOOR TEMPERATURE - °F (DRY BULB / WET BULB)</b>							
	<b>65°F / 54°F</b>		<b>70°F / 59°F</b>		<b>75°F / 63°F</b>		<b>80°F / 67°F</b>	
	<b>TOTAL MBTUH</b>	<b>SENSIBLE MBTUH</b>	<b>TOTAL MBTUH</b>	<b>SENSIBLE MBTUH</b>	<b>TOTAL MBTUH</b>	<b>SENSIBLE MBTUH</b>	<b>TOTAL MBTUH</b>	<b>SENSIBLE MBTUH</b>
-13	9.38	6.81	9.67	7.02	9.91	7.19	10.18	7.39
-5	9.8	7.03	10.1	7.25	10.35	7.43	10.61	7.61
-4	9.85	7.07	10.15	7.28	10.4	7.47	10.66	7.65
0	10.15	7.33	10.46	7.56	10.72	7.74	11.02	7.95
5	10.24	7.37	10.55	7.6	10.82	7.79	11.14	8.02
15	10.28	7.4	10.6	7.62	10.87	7.81	11.21	8.06
25	10.32	7.51	10.64	7.74	10.9	7.93	11.26	8.19
35	10.35	7.51	10.67	7.74	10.94	7.93	11.32	8.21
45	10.4	7.64	10.72	7.87	10.99	8.07	11.39	8.36
55	10.57	7.67	10.89	7.9	11.17	8.1	11.66	8.45
65	10.62	7.72	10.95	7.96	11.22	8.15	11.78	8.55
75	10.7	7.88	11.03	8.12	11.31	8.33	11.9	8.75
85	10.42	7.64	10.74	7.88	11.01	8.08	12.22	8.95
95	10.02	7.25	10.33	7.48	10.59	7.67	12.45	9.01
105	8.85	7.19	9.12	7.42	9.35	7.6	11.13	9.04
110	8.2	6.82	8.66	7.04	8.97	7.33	10.56	8.39
115	7.7	6.02	7.94	6.18	8.13	6.3	9.86	7.43
122	7.21	5.1	7.44	5.26	7.62	5.39	9.3	6.87

<b>HEATING CAPACITY - 012 (115V)</b>				
<b>OUTDOOR TEMPERATURE - °F (DRY BULB)</b>	<b>INDOOR TEMPERATURE - °F (DRY BULB)</b>			
	<b>60°F</b>	<b>65°F</b>	<b>70°F</b>	<b>75°F</b>
	<b>TOTAL MBTUH</b>	<b>TOTAL MBTUH</b>	<b>TOTAL MBTUH</b>	<b>TOTAL MBTUH</b>
-13	6.3	5.45	4.59	3.74
-5	7.15	6.3	5.45	4.59
0	7.74	6.89	6.04	5.19
5	8.6	7.74	6.89	6.04
17	9.98	9.13	8.28	7.43
19.4	10.31	9.46	8.6	7.75
24.8	11.6	10.75	9.9	9.05
32	12.16	11.3	10.45	9.6
35	12.28	11.43	10.58	9.72
39.2	12.43	11.58	10.73	9.88
44.6	12.58	11.73	10.88	10.03
47	14.51	13.66	12.81	11.95
53.6	14.66	13.81	12.96	12.1
57	14.81	13.96	13.11	12.26

<b>COOLING CAPACITY - 012 (208/230V)</b>								
<b>OUTDOOR TEMPERATURE - °F (DRY BULB)</b>	<b>INDOOR TEMPERATURE - °F (DRY BULB / WET BULB)</b>							
	<b>65°F / 54°F</b>		<b>70°F / 59°F</b>		<b>75°F / 63°F</b>		<b>80°F / 67°F</b>	
	<b>TOTAL MBTUH</b>	<b>SENSIBLE MBTUH</b>	<b>TOTAL MBTUH</b>	<b>SENSIBLE MBTUH</b>	<b>TOTAL MBTUH</b>	<b>SENSIBLE MBTUH</b>	<b>TOTAL MBTUH</b>	<b>SENSIBLE MBTUH</b>
-13	10.19	7.84	10.51	8.08	10.77	8.29	11.07	8.51
-5	10.47	8.13	10.79	8.38	11.06	8.59	11.34	8.81
-4	10.49	8.16	10.81	8.41	11.08	8.62	11.36	8.83
0	10.75	8.38	11.09	8.64	11.36	8.86	11.67	9.1
5	11.1	8.88	11.44	9.16	11.73	9.38	12.08	9.66
15	11.13	8.93	11.47	9.2	11.76	9.43	12.13	9.73
25	11.15	8.97	11.49	9.25	11.78	9.48	12.17	9.79
35	11.31	9.01	11.66	9.29	11.95	9.52	12.37	9.85
45	11.37	9.21	11.72	9.5	12.01	9.74	12.44	10.08
55	11.25	9.11	11.69	9.48	11.98	9.62	12.41	10.03
65	11.24	9.1	11.59	9.38	11.88	9.61	12.47	10.08
75	11.18	9.04	11.53	9.32	11.81	9.55	12.53	10.13
85	10.82	8.7	11.16	8.97	11.44	9.19	12.68	10.19
95	10.25	8.26	10.56	8.51	10.83	8.72	12.73	10.25
105	9.48	7.92	9.78	8.08	10.02	8.3	11.92	9.81
110	8.92	7.33	9.2	7.69	9.43	8.01	11.36	9.15
115	8.46	6.84	8.72	7.01	8.93	7.32	10.83	8.82
122	8.04	6.37	8.29	6.61	8.49	7.02	10.36	8.27

<b>HEATING CAPACITY - 012 (208/230V)</b>				
<b>OUTDOOR TEMPERATURE - °F (DRY BULB)</b>	<b>INDOOR TEMPERATURE - °F (DRY BULB)</b>			
	<b>60°F</b>	<b>65°F</b>	<b>70°F</b>	<b>75°F</b>
	<b>TOTAL MBTUH</b>	<b>TOTAL MBTUH</b>	<b>TOTAL MBTUH</b>	<b>TOTAL MBTUH</b>
-13	8.02	7.17	6.32	5.46
-5	9.49	8.63	7.78	6.93
0	9.99	9.13	8.28	7.43
5	10.84	9.99	9.13	8.28
17	11.63	10.78	9.93	9.08
19.4	12.93	12.07	11.22	10.37
24.8	14.22	13.37	12.52	11.66
32	14.77	13.92	13.07	12.22
35	14.9	14.05	13.19	12.34
39.2	15.05	14.2	13.35	12.49
44.6	15.2	14.35	13.5	12.64
47	15.37	14.51	13.66	12.81
53.6	15.52	14.66	13.81	12.96
57	15.67	14.82	13.96	13.11

<b>COOLING CAPACITY - 018 (208/230V)</b>								
<b>OUTDOOR TEMPERATURE - °F (DRY BULB)</b>	<b>INDOOR TEMPERATURE - °F (DRY BULB / WET BULB)</b>							
	<b>65°F / 54°F</b>		<b>70°F / 59°F</b>		<b>75°F / 63°F</b>		<b>80°F / 67°F</b>	
	<b>TOTAL MBTUH</b>	<b>SENSIBLE MBTUH</b>	<b>TOTAL MBTUH</b>	<b>SENSIBLE MBTUH</b>	<b>TOTAL MBTUH</b>	<b>SENSIBLE MBTUH</b>	<b>TOTAL MBTUH</b>	<b>SENSIBLE MBTUH</b>
-13	12.2	10.51	12.58	10.83	12.89	11.1	13.25	11.41
-5	12.56	10.98	12.95	11.32	13.28	11.61	13.61	11.9
-4	12.6	11.01	12.99	11.35	13.32	11.64	13.65	11.93
0	12.85	11.14	13.25	11.48	13.58	11.77	13.95	12.09
5	13.1	11.17	13.51	11.52	13.85	11.81	14.26	12.15
15	13.46	11.21	13.87	11.55	14.22	11.84	14.69	12.23
25	13.39	11.15	13.8	11.49	14.15	11.78	14.77	12.29
35	13.84	11.14	14.27	11.49	14.63	11.77	15.35	12.36
45	15.08	12.4	15.55	12.78	15.94	13.1	16.73	13.75
55	15.06	12.83	15.52	12.62	15.91	12.92	16.79	13.95
65	15.03	12.65	15.5	12.75	15.88	12.86	16.85	13.86
75	15.09	12.55	15.55	12.65	15.94	12.98	16.91	13.88
85	14.48	11.65	14.93	11.85	15.3	11.99	16.97	13.99
95	14.49	11.62	14.94	11.82	15.31	11.96	18	14.26
105	13.02	10.65	13.43	10.79	13.76	10.89	16.38	12.87
110	11.4	9.25	11.76	9.35	12.05	9.63	14.52	11.16
115	10.52	8.45	10.85	8.65	11.12	8.78	13.48	10.78
122	9.8	7.65	10.1	7.75	10.35	7.85	12.63	9.13

<b>HEATING CAPACITY - 018 (208/230V)</b>				
<b>OUTDOOR TEMPERATURE - °F (DRY BULB)</b>	<b>INDOOR TEMPERATURE - °F (DRY BULB)</b>			
	<b>60°F</b>	<b>65°F</b>	<b>70°F</b>	<b>75°F</b>
	<b>TOTAL MBTUH</b>	<b>TOTAL MBTUH</b>	<b>TOTAL MBTUH</b>	<b>TOTAL MBTUH</b>
-13	9.81	8.96	8.1	7.25
-5	11.22	10.36	9.51	8.66
0	12.03	11.18	10.33	9.47
5	12.88	12.03	11.18	10.33
17	15.72	14.87	14.02	13.16
19.4	17.52	16.67	15.81	14.96
24.8	18.81	17.96	17.11	16.26
32	19.37	18.51	17.66	16.81
35	19.49	18.64	17.79	16.93
39.2	19.64	18.79	17.94	17.09
44.6	19.79	18.94	18.09	17.24
47	21.3	20.44	19.59	18.74
53.6	21.45	20.59	19.74	18.89
57	21.6	20.75	19.89	19.04

<b>COOLING CAPACITY - 024 (208/230V)</b>								
<b>OUTDOOR TEMPERATURE - °F (DRY BULB)</b>	<b>INDOOR TEMPERATURE - °F (DRY BULB / WET BULB)</b>							
	<b>65°F / 54°F</b>		<b>70°F / 59°F</b>		<b>75°F / 63°F</b>		<b>80°F / 67°F</b>	
	<b>TOTAL MBTUH</b>	<b>SENSIBLE MBTUH</b>	<b>TOTAL MBTUH</b>	<b>SENSIBLE MBTUH</b>	<b>TOTAL MBTUH</b>	<b>SENSIBLE MBTUH</b>	<b>TOTAL MBTUH</b>	<b>SENSIBLE MBTUH</b>
-13	19.11	18.65	19.7	19.22	20.2	19.71	20.53	20.03
-5	20.78	19.63	21.42	20.24	21.95	20.75	22.31	21.09
-4	20.84	19.69	21.48	20.3	22.02	20.81	22.38	21.15
0	21.85	19.75	22.53	20.36	23.09	20.87	23.47	21.22
5	22.44	20.52	23.14	21.16	23.72	21.69	24.36	22.28
15	24.09	21.49	24.84	23.02	25.46	23.83	26.29	24.64
25	24.82	22.3	25.59	23.82	26.23	24.62	27.37	25.7
35	25.21	22.83	25.99	23.95	26.64	24.55	27.95	25.76
45	24.59	20.7	25.35	21.31	25.98	22.82	27.26	23.84
55	24.95	19.65	25.72	20.26	26.36	21.76	27.81	22.91
65	24.41	19.6	25.17	20.2	25.8	20.71	27.36	21.97
75	24.9	19.65	25.67	20.26	26.32	20.77	27.91	22.03
85	23.44	18.85	24.16	19.44	24.77	19.92	27.46	21.09
95	22.15	17.83	22.83	18.38	23.4	18.84	27.51	21.15
105	18.38	15.89	18.95	16.38	19.43	16.79	23.12	19.98
110	16.93	14.24	17.46	14.68	17.89	15.04	21.56	18.13
115	15.63	13.82	16.12	14.56	16.52	14.92	20.03	18.09
122	15.1	13.14	15.57	13.58	15.95	13.94	19.46	17.03

<b>HEATING CAPACITY - 024 (208/230V)</b>				
<b>OUTDOOR TEMPERATURE - °F (DRY BULB)</b>	<b>INDOOR TEMPERATURE - °F (DRY BULB)</b>			
	<b>60°F</b>	<b>65°F</b>	<b>70°F</b>	<b>75°F</b>
	<b>TOTAL MBTUH</b>	<b>TOTAL MBTUH</b>	<b>TOTAL MBTUH</b>	<b>TOTAL MBTUH</b>
-13	13.82	12.96	12.11	11.26
-5	16.06	15.21	14.36	13.51
0	18.95	18.1	17.25	16.4
5	19.8	18.95	18.1	17.25
17	20.74	19.89	19.04	18.18
19.4	20.84	19.99	19.13	18.28
24.8	20.96	20.11	19.26	18.41
32	21.09	20.23	19.38	18.53
35	21.21	20.36	19.51	18.65
39.2	21.36	20.51	19.66	18.81
44.6	21.51	20.66	19.81	18.96
47	31.45	30.59	29.74	28.89
53.6	31.6	30.74	29.89	29.04
57	31.75	30.9	30.04	29.19

COOLING CAPACITY - 030 (208/230V)								
OUTDOOR TEMPERATURE - °F (DRY BULB)	INDOOR TEMPERATURE - °F (DRY BULB / WET BULB)							
	65°F / 54°F		70°F / 59°F		75°F / 63°F		80°F / 67°F	
	TOTAL MBTUH	SENSIBLE MBTUH	TOTAL MBTUH	SENSIBLE MBTUH	TOTAL MBTUH	SENSIBLE MBTUH	TOTAL MBTUH	SENSIBLE MBTUH
-13	24.99	22.9	25.76	23.61	26.41	24.2	26.84	24.6
-5	26.36	23.88	27.17	24.62	27.85	25.23	28.31	25.65
-4	26.44	23.95	27.25	24.69	27.93	25.31	28.39	25.73
0	26.98	24.2	27.81	24.94	28.5	25.57	28.97	25.99
5	27.24	24.19	28.08	24.93	28.78	25.56	29.56	26.25
15	27.42	25.15	28.27	25.93	28.98	26.57	29.92	27.44
25	27.21	24.94	28.05	25.71	28.75	26.35	30	27.5
35	27.59	24.86	28.44	25.63	29.15	26.27	30.59	27.56
45	27.91	24.81	28.78	25.58	29.49	26.22	30.95	27.51
55	27.82	25.17	28.68	25.95	29.39	26.6	31.01	28.06
65	26.83	25.08	27.66	25.86	28.35	26.5	30.07	28.11
75	26.91	25.1	27.74	25.88	28.44	26.52	30.16	28.13
85	26.21	24.06	27.02	24.81	27.7	25.43	30.71	28.19
95	25.57	23.55	26.36	24.28	27.02	24.88	31.76	29.26
105	22.66	19.87	23.37	20.49	23.95	21	28.5	24.99
110	21.16	18.96	21.81	19.54	22.36	20.03	26.94	24.13
115	20.62	18.81	21.25	19.39	21.78	19.88	26.41	23.1
122	20.05	17.8	20.67	18.39	21.19	18.87	25.84	22.24

HEATING CAPACITY - 030 (208/230V)				
OUTDOOR TEMPERATURE - °F (DRY BULB)	INDOOR TEMPERATURE - °F (DRY BULB)			
	60°F	65°F	70°F	75°F
	TOTAL MBTUH	TOTAL MBTUH	TOTAL MBTUH	TOTAL MBTUH
-13	15.12	14.27	13.42	12.57
-5	17.11	16.26	15.41	14.56
0	20.56	19.71	18.86	18.01
5	21.42	20.56	19.71	18.86
17	22.27	21.42	20.56	19.71
19.4	23.78	22.93	21.08	20.23
24.8	25.91	24.05	23.2	22.35
32	27.03	26.18	25.33	24.47
35	29.15	28.3	27.45	26.6
39.2	31.3	29.45	29.6	28.75
44.6	32.46	31.6	30.75	29.9
47	33.67	32.82	31.97	31.12
53.6	33.82	32.97	32.12	31.27
57	33.97	33.12	32.27	31.42

<b>COOLING CAPACITY - 036 (208/230V)</b>								
<b>OUTDOOR TEMPERATURE - °F (DRY BULB)</b>	<b>INDOOR TEMPERATURE - °F (DRY BULB / WET BULB)</b>							
	<b>65°F / 54°F</b>		<b>70°F / 59°F</b>		<b>75°F / 63°F</b>		<b>80°F / 67°F</b>	
	<b>TOTAL MBTUH</b>	<b>SENSIBLE MBTUH</b>	<b>TOTAL MBTUH</b>	<b>SENSIBLE MBTUH</b>	<b>TOTAL MBTUH</b>	<b>SENSIBLE MBTUH</b>	<b>TOTAL MBTUH</b>	<b>SENSIBLE MBTUH</b>
-13	31.4	21.77	32.2	22.22	32.97	22.75	33.71	23.26
-5	36.19	25.1	37.12	25.61	38.01	26.22	38.86	26.82
-4	36.3	25.17	37.23	25.69	38.12	26.3	38.98	26.9
0	36.08	25.03	37.01	25.54	37.86	26.12	38.65	26.67
5	35.86	24.87	36.78	25.38	37.21	25.67	38.32	26.44
15	35.32	24.5	36.23	25	36.87	25.44	37.86	26.12
25	35.28	24.46	36.18	24.96	36.76	25.36	37.68	26
35	35.23	24.43	36.13	24.93	36.63	25.27	37.45	25.84
45	35.12	24.71	36.02	25.21	36.56	25.59	37.21	26.05
55	33.4	24.92	34.23	25.42	35.11	26.08	37.04	26.76
65	33.22	24.97	33.53	25.48	34.75	26.21	36.99	26.94
75	33.03	25.02	33.83	25.53	34.39	26.33	36.95	27.12
85	33.49	26.22	34.35	26.76	35.02	27.54	36.7	27.31
95	30.11	24.75	31.88	25.25	34.31	26.22	36.55	27.19
105	25.92	22.84	26.58	23.31	29.38	24.37	31.59	25.43
110	23.82	20.27	24.43	20.68	26.77	21.56	29.11	22.44
115	21.72	17.69	22.28	18.05	24.45	18.75	26.63	19.44
122	17.53	13.39	18.98	13.66	19.82	14.2	21.67	14.74

<b>HEATING CAPACITY - 036 (208/230V)</b>				
<b>OUTDOOR TEMPERATURE - °F (DRY BULB)</b>	<b>INDOOR TEMPERATURE - °F (DRY BULB)</b>			
	<b>60°F</b>	<b>65°F</b>	<b>70°F</b>	<b>75°F</b>
	<b>TOTAL MBTUH</b>	<b>TOTAL MBTUH</b>	<b>TOTAL MBTUH</b>	<b>TOTAL MBTUH</b>
-13	18.84	18.03	17.57	16.91
-5	22.59	21.86	21.38	20.05
0	24.71	24.05	23.66	22.66
5	27.92	26.79	25.66	25.2
17	34.87	33.43	32	31.42
19.4	35.22	34.3	33.38	33.01
24.8	36.3	36.92	37.54	37.78
32	37.74	40.41	43.08	44.14
35	41.36	43.08	44.8	45.48
39.2	44.98	45.75	46.52	46.82
44.6	50.41	49.76	49.1	48.84
47	50.68	49.24	47.8	47.22
53.6	51.98	49.72	47.47	46.56
57	52.76	50.47	48.18	47.26

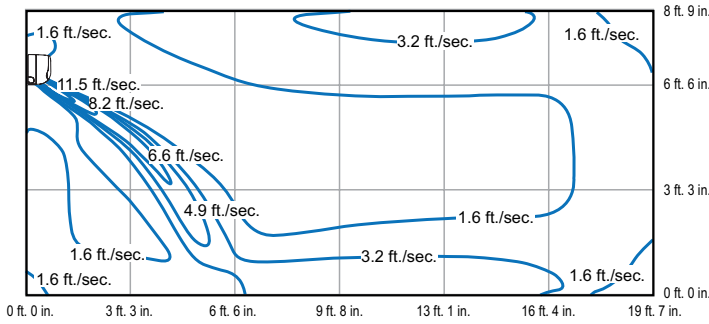
<b>COOLING CAPACITY - 048 (208/230V)</b>								
<b>OUTDOOR TEMPERATURE - °F (DRY BULB)</b>	<b>INDOOR TEMPERATURE - °F (DRY BULB / WET BULB)</b>							
	<b>65°F / 54°F</b>		<b>70°F / 59°F</b>		<b>75°F / 63°F</b>		<b>80°F / 67°F</b>	
	<b>TOTAL MBTUH</b>	<b>SENSIBLE MBTUH</b>	<b>TOTAL MBTUH</b>	<b>SENSIBLE MBTUH</b>	<b>TOTAL MBTUH</b>	<b>SENSIBLE MBTUH</b>	<b>TOTAL MBTUH</b>	<b>SENSIBLE MBTUH</b>
-13	44.79	32.42	45.94	33.08	46.14	33.22	47.02	33.85
-5	48.17	34.86	49.4	35.57	49.62	35.72	50.55	36.4
-4	51.79	37.48	53.12	38.25	53.35	38.41	54.36	39.14
0	51.57	37.32	52.89	38.08	53.64	38.62	54.18	39.01
5	51.01	37.43	52.32	38.19	53.18	38.82	54.06	39.46
15	50.88	38.86	52.18	39.66	53.13	40.38	53.88	40.95
25	50.72	38.74	52.02	39.54	52.94	40.23	53.51	40.67
35	49.89	37.37	51.17	38.13	52.07	38.81	53.16	39.61
45	49.06	36	50.32	36.73	51.2	37.38	52.8	38.54
55	46.99	34.48	48.19	35.18	49.31	35.99	50.73	35.71
65	46.47	34.1	47.66	34.79	48.83	35.65	50.21	35
75	45.95	33.72	47.13	34.4	48.36	35.3	49.69	34.29
85	44.71	32.81	45.86	33.48	47.95	35	49.29	34.5
95	41.93	32.46	43.01	33.12	45.86	35.31	48.16	34.19
105	35.12	30	36.02	30.62	37.66	32.01	38.44	31.52
110	32.09	27.56	32.91	28.12	34.79	29.73	36.25	29.89
115	29.06	25.12	29.8	25.63	31.92	27.45	34.05	28.26
122	25.87	22.62	26.53	23.08	28.99	25.22	31.38	26.67

<b>HEATING CAPACITY - 048 (208/230V)</b>				
<b>OUTDOOR TEMPERATURE - °F (DRY BULB)</b>	<b>INDOOR TEMPERATURE - °F (DRY BULB)</b>			
	<b>60°F</b>	<b>65°F</b>	<b>70°F</b>	<b>75°F</b>
	<b>TOTAL MBTUH</b>	<b>TOTAL MBTUH</b>	<b>TOTAL MBTUH</b>	<b>TOTAL MBTUH</b>
-13	28.65	27.89	27.12	24.01
-5	33.02	31.98	33.02	25.88
0	36.16	35.18	36.16	27.65
5	37.85	36.86	35.78	29.05
17	44.12	42.08	39.97	33.85
19.4	45.56	42.98	41.02	34.88
24.8	48.34	46.11	44.98	38.62
32	50.61	48.68	47.03	44.16
35	51.75	49.85	48.34	46.34
39.2	52.88	51.02	49.65	48.52
44.6	55.95	55.01	53.98	53.02
47	56.58	55.55	54.43	53.48
53.6	58.36	57.21	55.98	55.03
57	59.24	58.07	56.82	55.86

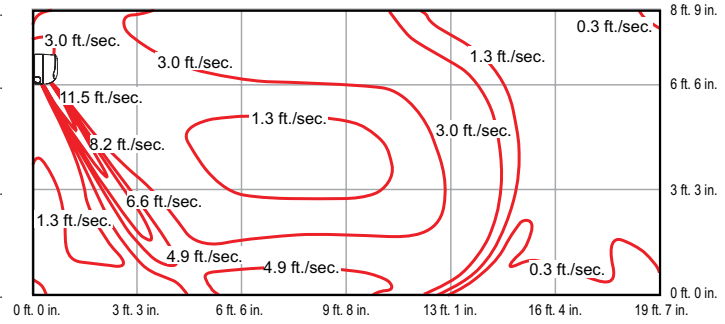


### AIR THROW DATA - WALL-MOUNTED INDOOR UNITS

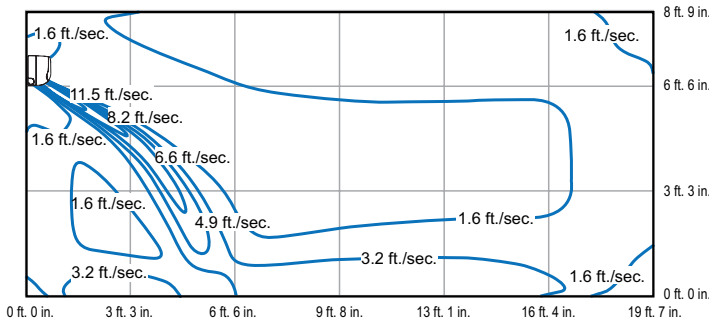
DWM109S4 - COOLING



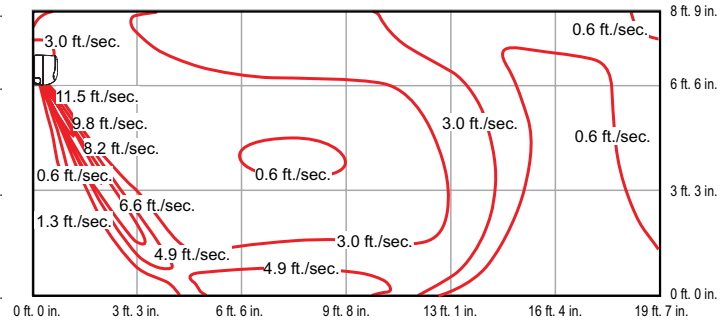
DWM109S4 - HEATING



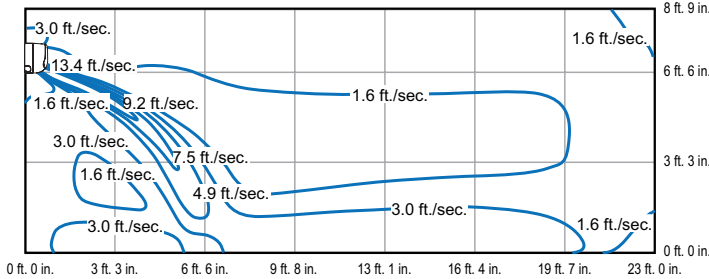
DWM112S4 - COOLING



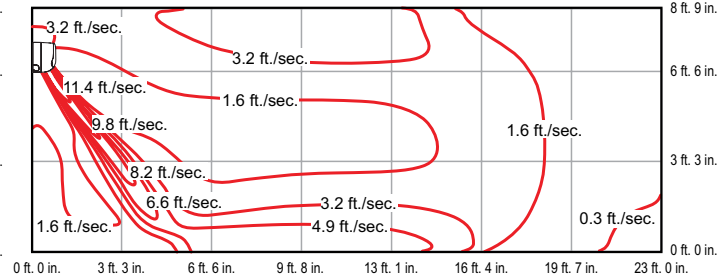
DWM112S4 - HEATING



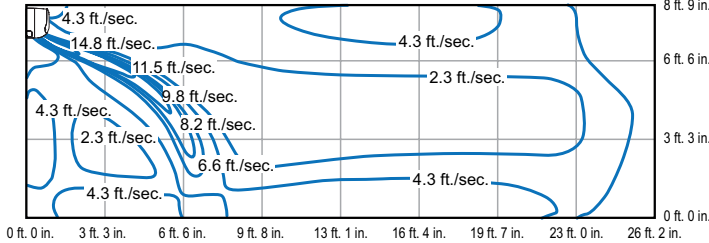
DWM118S4 - COOLING



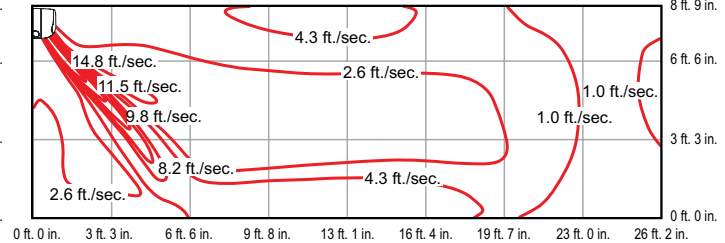
DWM118S4 - HEATING



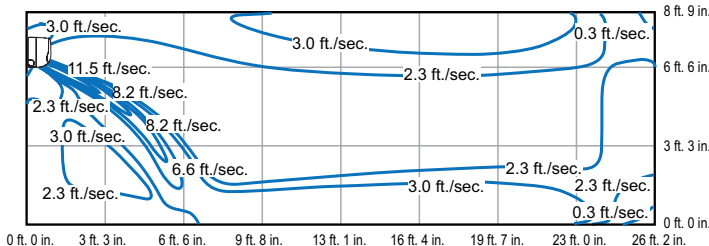
DWM124S4 - COOLING



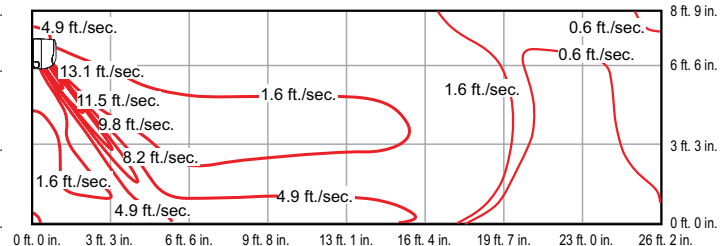
DWM124S4 - HEATING



DWM130S4 - COOLING

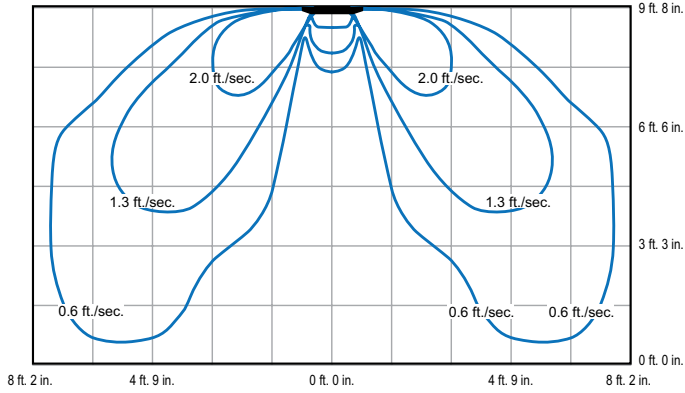


DWM130S4 - HEATING

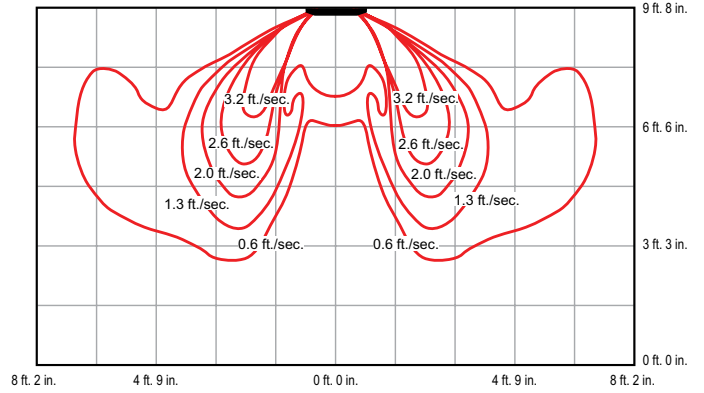


**AIR THROW DATA - CASSETTE INDOOR UNITS**

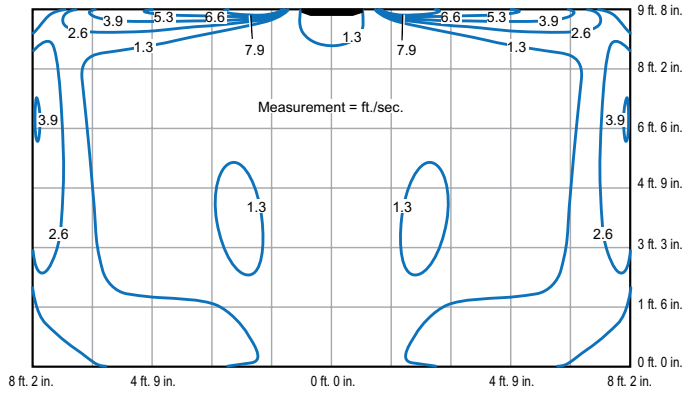
**D22C109S4 AND D22C112S4 - COOLING**



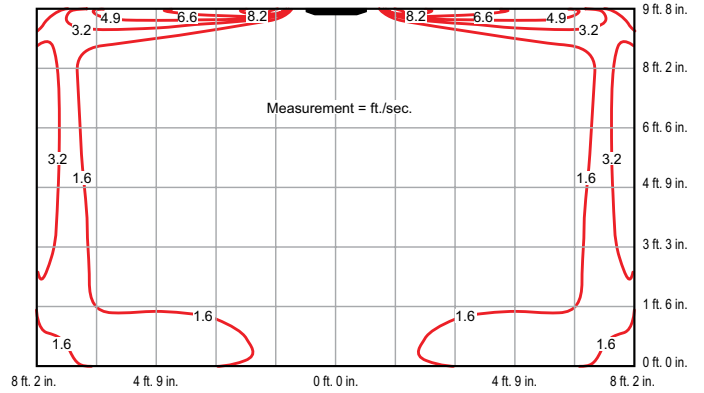
**D22C109S4 AND D22C112S4 - HEATING**



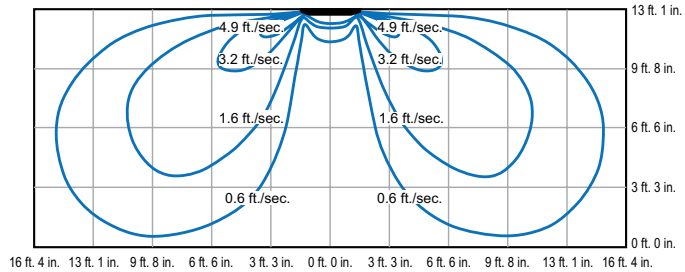
**D22C118S4 - COOLING**



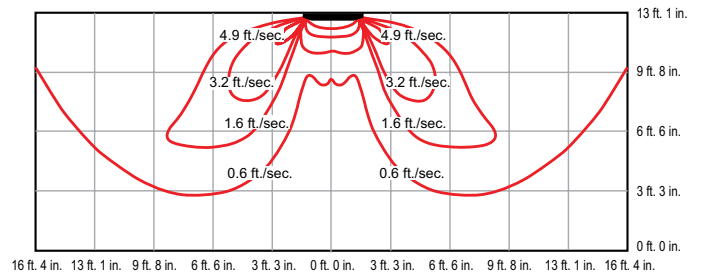
**D22C118S4 - HEATING**



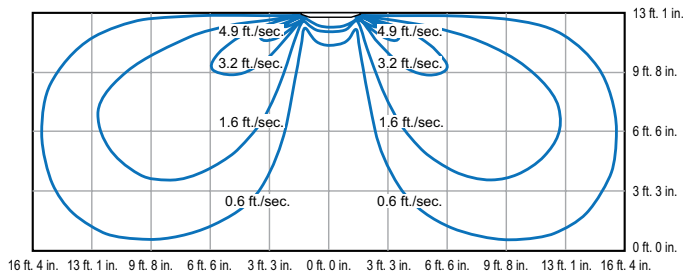
**D33C124S4 - COOLING**



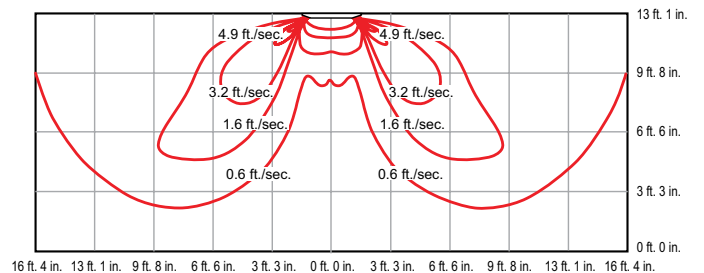
**D33C124S4 - HEATING**



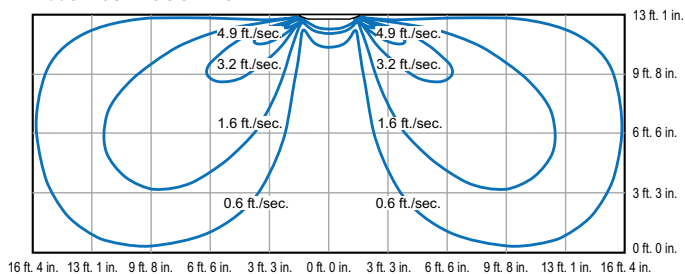
**D33C136S4 - COOLING**



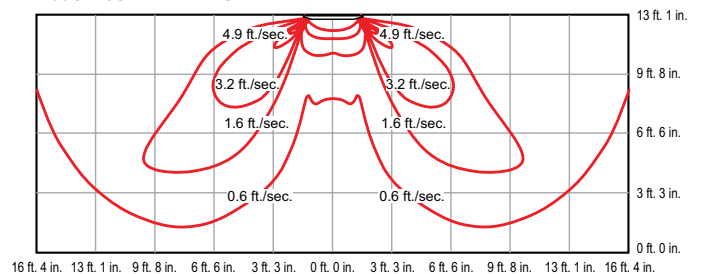
**D33C136S4 - HEATING**



**D33C148S4 - COOLING**

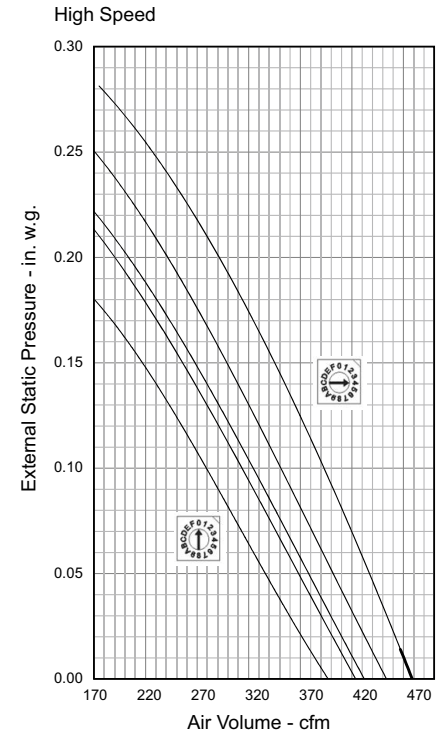
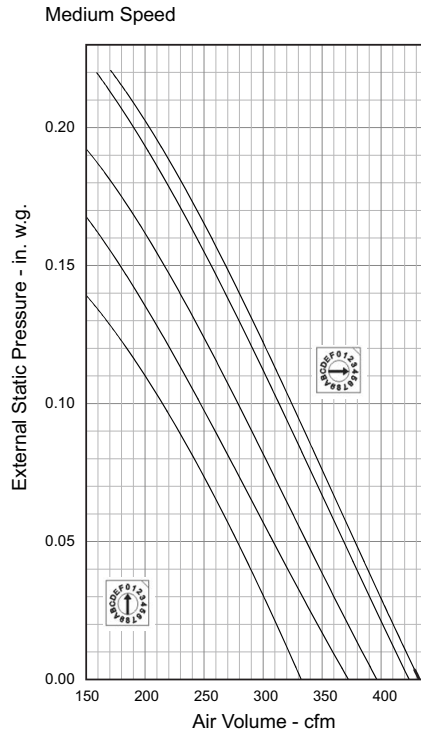
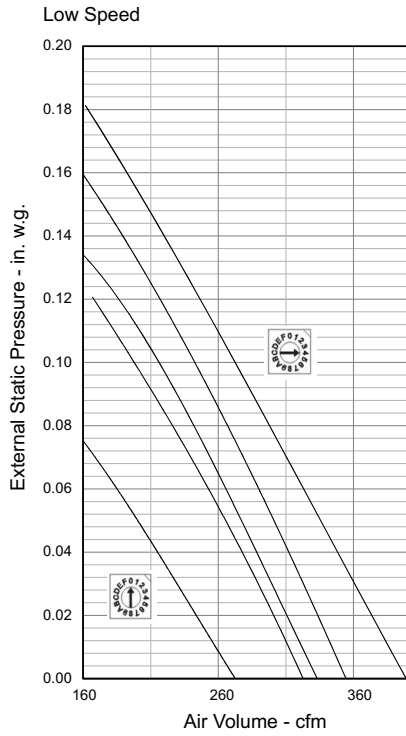


**D33C148S4 - HEATING**

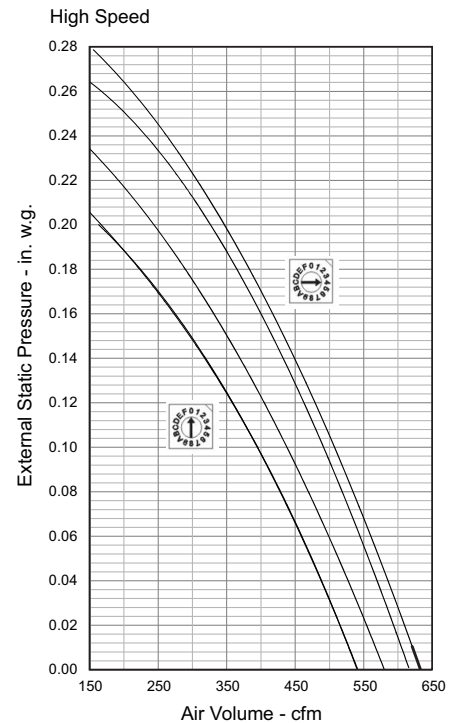
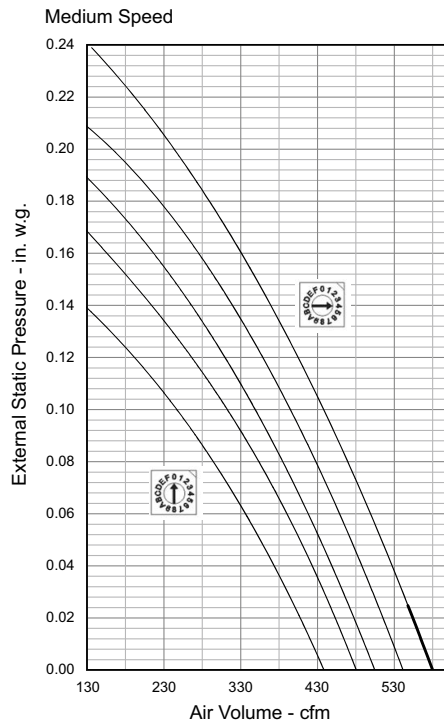
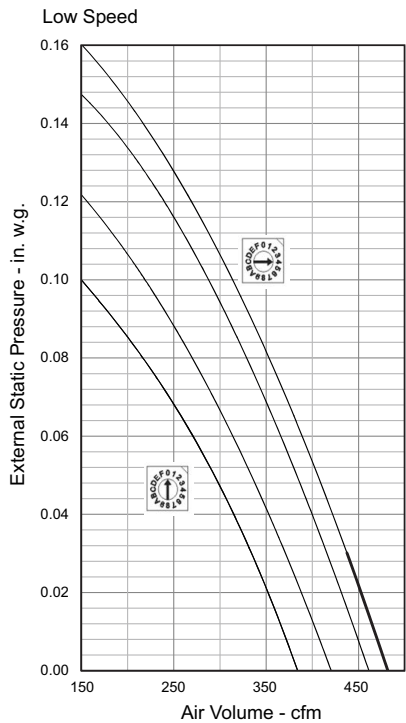


**BLOWER DATA - MEDIUM STATIC DUCTED INDOOR UNITS**

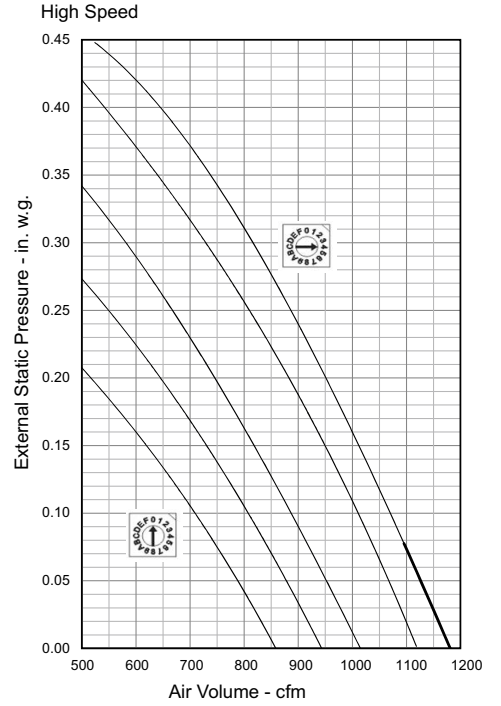
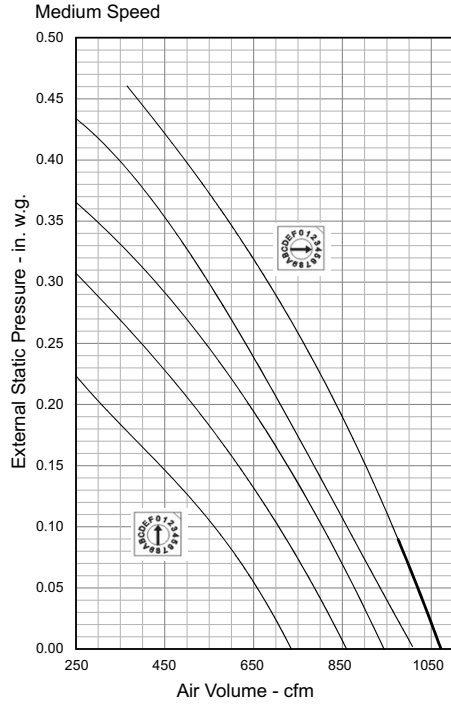
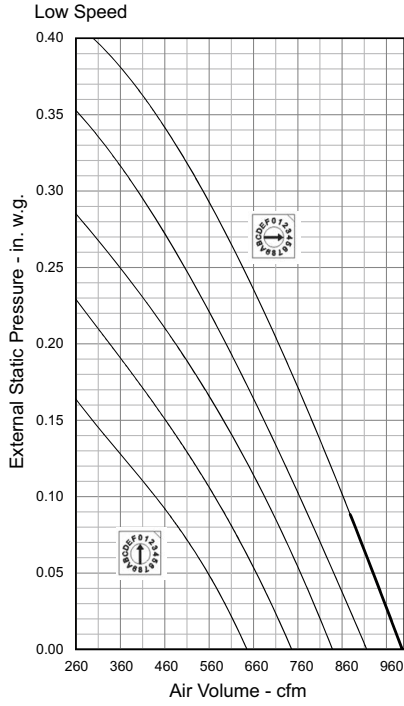
**DMD209S4-1P, DMD212S4-1P**



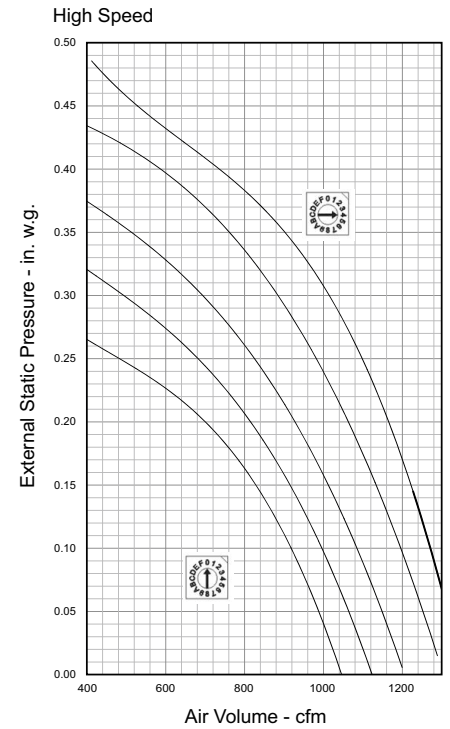
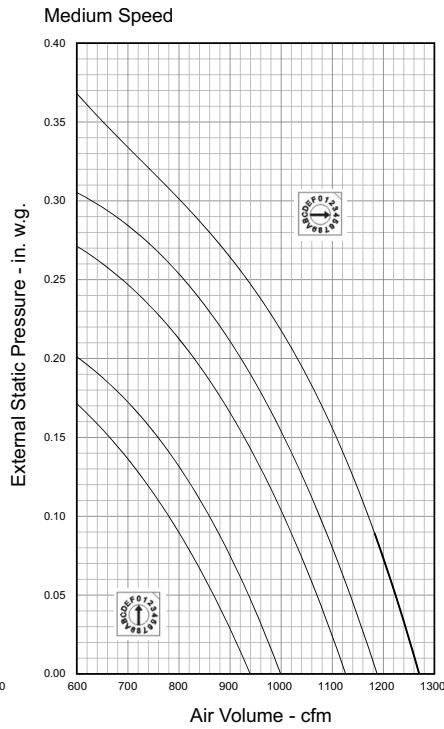
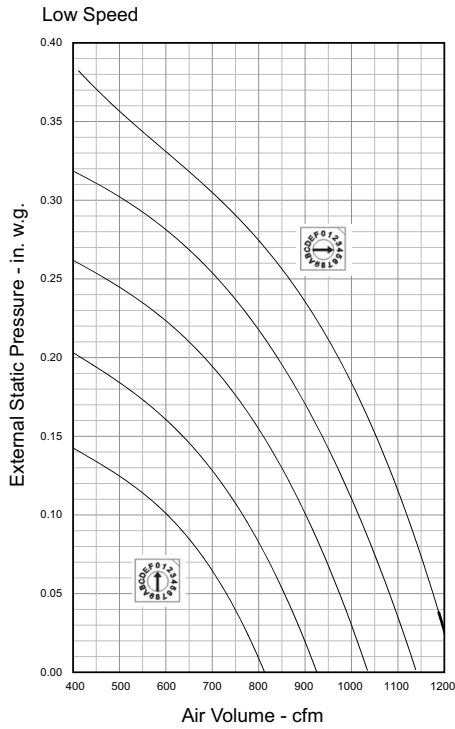
**DMD218S4-1P**



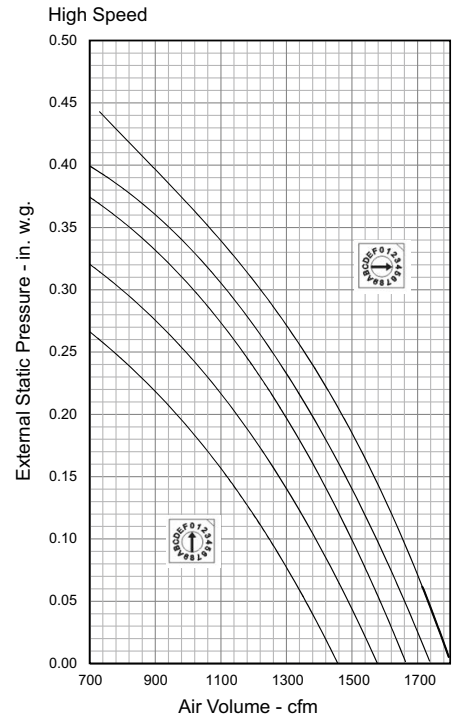
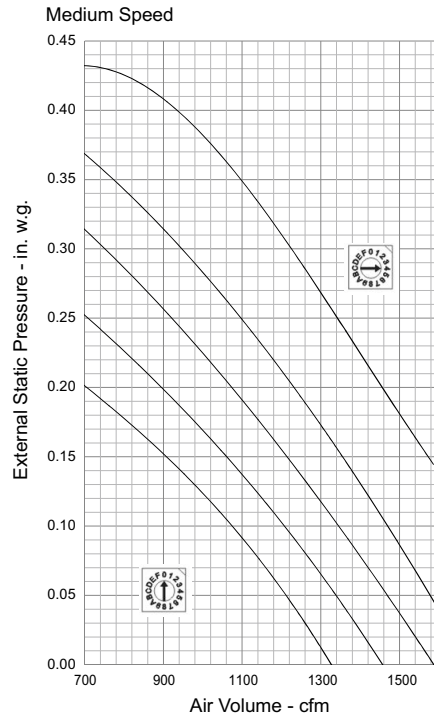
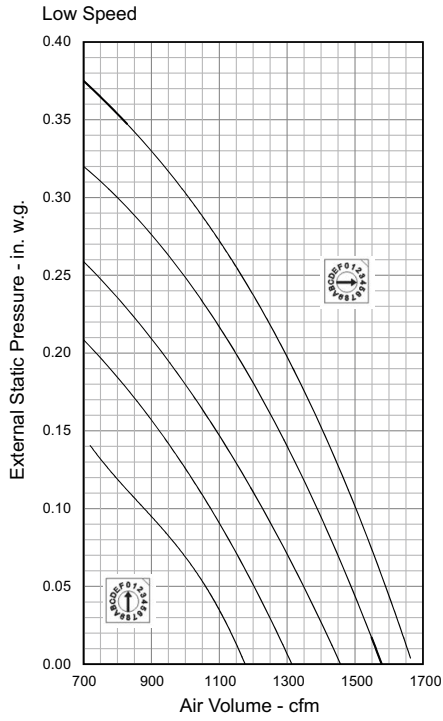
**DMD2024S4-1P**



**DMD236S4-1P**



**DMD248S4-1P**



## ACCESSORIES - FURNISHED

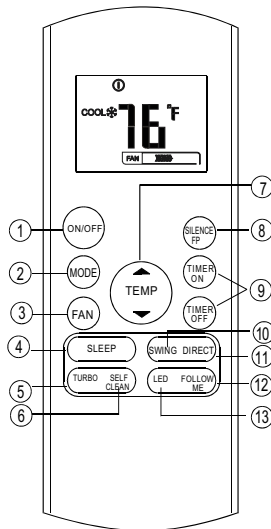
### WIRELESS REMOTE CONTROLLER

#### Furnished with Wall-Mounted Indoor Units and Cassette Indoor Units.

Complete remote control of system. Maximum operating range is 25 ft.

Operates on two AAA 1.5V batteries (furnished).

Wireless remote controller holder furnished. Holder can be mounted on a wall for easy access. Mounting screws furnished.

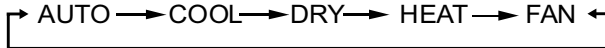


#### 1 ON/OFF Button

Turns system on and off.

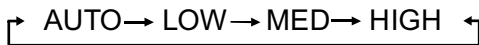
#### 2 MODE Button

Select system operation modes. Push button to cycle through each setting.



#### 3 FAN Button

Select fan speed. Push button to cycle through each setting.



**NOTE - Not available in AUTO or DRY modes.**

#### 4 SLEEP Button

Enables the system to automatically increase cooling or decrease heating (in 2°F increments) per hour for the first 2 hours, then maintain a steady temperature for 5 hours. System reverts back to previous operation mode after 7 total hours of operation.

**NOTE - To cancel, push the "MODE", "FAN SPEED" or "ON/OFF" buttons.**

**NOTE - SLEEP mode is only available when the unit is in COOL, HEAT or AUTO mode.**

#### 5 TURBO Button

Enables the unit to reach the preset temperature during cooling or heating operation in the shortest time.

#### 6 SELF CLEAN Button

Automatically cleans and dries the evaporator coil at the end of the cooling season, preventing any odors or mildew.

#### 7 UP/DOWN Buttons ▲ ▼

Increase or decrease the indoor temperature in one degree increments (maximum 86°F, minimum 62°F).

**NOTE - Temperature cannot be adjusted in FAN mode.**

**NOTE - Press and hold and buttons together for 3 seconds to alternate the temperature display between the °C and °F scale.**

#### 8 SILENCE/FP Button

Silence - Operates the compressor at low frequency and low fan speed to reduce operating sound levels to a minimum.

FP - Only available during heating operation. Unit will operate at a set temperature of 46°F.

**NOTE - To cancel, push the "ON/OFF", "SLEEP", "FP", "MODE", "FAN SPEED", "UP/DOWN" buttons.**

#### 9 TIMER ON / TIMER OFF Buttons

TIMER ON (initiates an auto-on time sequence) and TIMER OFF (initiates an auto-off time sequence) can be used separately or together.

Each press of the button increases the time in 30 minute increments up to 10 hours. Above 10 hours each press of the button will increase the auto-timed setting by 60 minutes up to 24 hours.

**NOTE - To cancel, set timer to 0.0 or turn remote off and on.**

#### 10 SWING Button

Used to stop or start horizontal louver auto swing feature.

#### 11 DIRECT Button

Used to change the louver movement and set the desired up/down air flow direction.

The louver angle changes 6° for each press of the button.

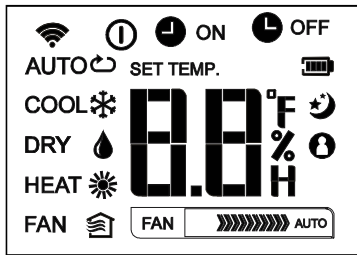
#### 12 FOLLOW ME Button

Allows remote temperature sensing of the room at the remote controller location.

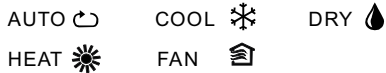
#### 13 LED Button









Turns the LCD display backlight on the indoor unit on or off.

## WIRELESS REMOTE CONTROLLER OPERATION







### Mode display



-  Displayed when data transmitted.
  -  Displayed when remote controller is ON.
  -  Battery display (low battery detection)
- 
-  ON Displayed when TIMER ON time is set.
  -  OFF Displayed when TIMER OFF time is set.
  -  Show set temperature or room temperature, or time under TIMER setting.
- 
-  Displayed in Sleep Mode operation.
  -  Indicated that the air conditioner is operating in Follow me mode

### Fan speed indication

-  Low speed
-  Medium speed
-  High speed
-  Auto fan speed

**Note - During unit operation only the active functions will be shown on the display.**

### Auto Operation

1. Press the **MODE** button to select Auto.
2. Press the **UP/DOWN** button to set the desired temperature. The temperature can be set within a range of
3. Press the **ON/OFF** button to start the air conditioner.

### Cooling /Heating/Fan Operation

1. Press the **MODE** button to select **COOL**, **HEAT** or **FAN** mode.
2. Press the **UP/DOWN** buttons to set the desired temperature.
3. Press the **FAN** button to select the fan speed in four steps- Auto, Low, Med, or High.
4. Press the **ON/OFF** button to start the air conditioner.

### Dehumidifying Operation

1. Press the **MODE** button to select **DRY** mode.
2. Press the **UP/DOWN** buttons to set the desired temperature.
3. Press the **ON/OFF** button to start the air conditioner.

### Timer ON/OFF Operation

1. Press the **TIMER ON** or **TIMER OFF** button. The remote controller shows **TIMER ON** or **TIMER OFF** icon, the previous Auto-on time setting and the signal "H" will be shown on the LCD display area.
2. Push the **TIMER ON** or **TIMER OFF** button again to set desired time. Each time you press the button, the time increases by 30 minutes between 0 and 10 hours and by 60 minutes between 10 and 24 hours.
3. After setting the **TIMER ON** or **TIMER OFF** there will be a one second delay before the remote controller transmits the signal to the unit. After approximately 2 seconds, the signal "H" will disappear and the set temperature will re-appear on the LCD display window.

## WIRED REMOTE CONTROLLER

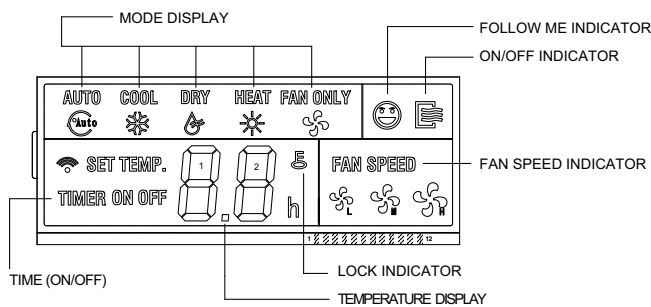
Furnished with Ducted Indoor Units.

**NOTE - Can be ordered separately for non-ducted indoor units.**

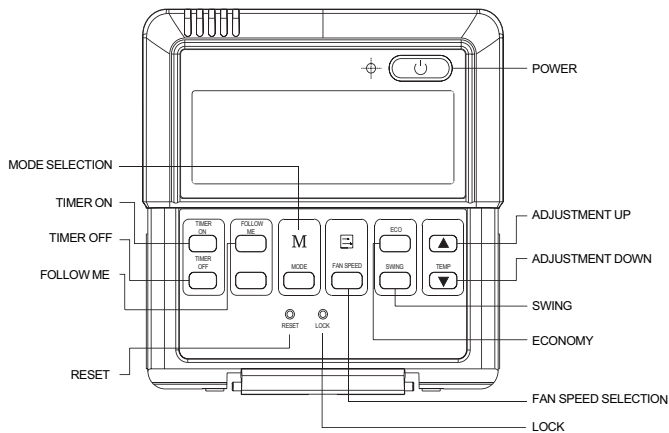
### FEATURES

- Permanent Memory - Maintains clock, fan speed and mode of operation settings following power outages.
- Dimensions (H x W x D) - 4-3/4 x 4-3/4 x 7/8 in. (121 x 121 x 22 mm).
- Additional hardware is furnished for installation.
- Wiring - Controller uses 5-wire shielded 20 ft. (6 m) cable (furnished) for easy low voltage connection to the indoor unit. Maximum cable length is 40 ft. (12 m).

### DISPLAY

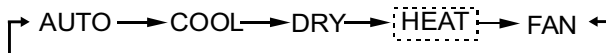


### BUTTONS AND FUNCTIONS



### MODE Button

- Select system operation modes. Push button to cycle through each setting.

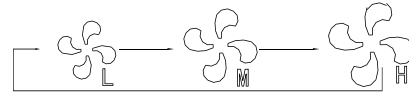


### POWER Button

- Turns system on and off.

### FAN SPEED Button

- Selects fan speed. Each button press cycles through the following settings on display.



**NOTE - Not available in AUTO mode.**

### TIMER ON / TIMER OFF Buttons

- TIMER ON (initiates an auto-on time sequence) and TIMER OFF (initiates an auto-off time sequence) can be used separately or together. Each press of the button increases the time in 30 minute increments up to 10 hours. Above 10 hours each press of the button will increase the auto-timed setting by 60 minutes up to 24 hours.

**NOTE - To cancel, set timer to 0.0.**

### UP/DOWN Buttons ▲ ▼

- Increase or decrease the indoor temperature in two degree increments (maximum 88°F, minimum 62°F).

**NOTE - Temperature cannot be adjusted in FAN mode.**

**NOTE - Press and hold and buttons together for 3 seconds to alternate the temperature display between the °C and °F scale.**

### SWING Button

- Used to stop or start horizontal louver auto swing feature.

### ECONOMY Button

- Maintains the most comfortable temperature and saves energy.

### RESET Button (Recessed)

- Resets Controller to factory settings. Recessed to prevent tampering.

### LOCK Button (Recessed)

- Locks Controller buttons to prevent tampering with settings.

### OPTIONAL ACCESSORIES

#### Extension Cable for Wired Remote Controller

20 ft. cable for easy low voltage connection to the indoor unit. Extends cable to maximum 40 ft. length.



## OPTIONAL ACCESSORIES - ORDER SEPARATELY

### WIRED PROGRAMMABLE CONTROLLER



Wired programmable local controller for mini-split indoor units with convenient timed schedules for daily operation. Up to 8 events per day.

Schedule start time, mode, setpoint, and fan speed.

Compatible with all indoor units.

Copy/paste function for easy duplication of events to other days.

Built-in system diagnostics.

Large, back-lit, easy-to-read LCD screen with digital display.

#### Power Button

- Turn system on and off

#### Fan Speed Button

- Scroll through fan speeds (Auto → Low → Med → High)

#### Mode Button

- Use + and - buttons to scroll through available operation modes (Auto / Cool / Dry / Fan / Heat)

#### Plus (+) and Minus (-) Buttons

- Setpoint adjustment (62-86°F)
- Select days of the week when setting a schedule
- Select mode of operation

#### Swing Button

- Stop or start horizontal louver auto swing (only used with ductless indoor units with swing louvers)
- Controls swing oscillation and louver angle in 6° increments

#### Timer Button

- Sets current time of day (24 hour clock)
- Setup weekly schedules or to setup timed operation for the indoor unit
- Stop/Stop timed operation

#### Day Off / Del Button

- Disable specific days/schedules of the week
- Delete a specific event

#### Confirm Button

- Confirms each step when managing schedules

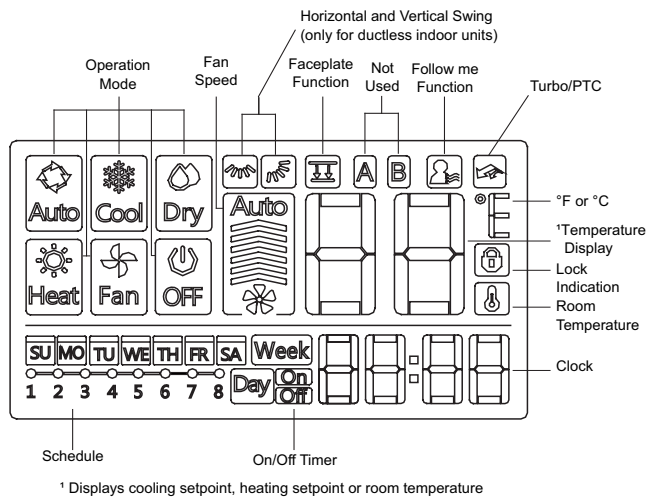
#### Back/Turbo Button

- Turbo sets indoor unit fan speed to high for a factory-set time period

#### Copy/Follow Me Button

- Toggles between room temperature sensing from the indoor unit or the controller

#### DISPLAY



Audible tone when a button is pressed (can be disabled).

Lock function disables buttons to prevent tampering.

Controller uses 4-wire shielded 20 ft. (6 m) cable (furnished) for easy low voltage connection to the indoor unit. For longer lengths, cable must be ordered separately. Adaptor cables are furnished for various indoor unit connections.

#### NOTE - Controller cable length cannot exceed 164 ft. (50 m).

Hardware for mounting furnished. Mounts to standard electrical junction box (not furnished).

Lithium battery furnished.

Power Supply: 5 VDC

Dimensions (H x W x D): 4-7/8 x 4-3/4 x 3/4 in. (124 x 121 x 19 mm).

#### NOTE - Programmable Controller cannot be used when a centralized controller is used with a DWM indoor unit.

#### OPTIONAL ACCESSORIES

##### Extension Cable for Wired Programmable Controller

20 ft. cable for easy low voltage connection to the indoor unit.

## OUTDOOR UNITS

### Condenser Pad

Provides permanent foundation for outdoor units.

One-piece lightweight structural foam and molded from high-density polyethylene (HDPE), which makes them lightweight and easy to carry and install. The textured finish provides a non-skid surface so that the outdoor unit sits securely in one place. UV stable.

### Disconnects

Positive unit disconnect. Single door enclosure. Fused and non-fused models available.

### Fuses

30 and 60 amp fuses available.

### Hail Guards

Protects outdoor coils on all sides without inhibiting airflow or performance. Self-tapping screws provided for installation. Flat shape allows for outdoor units to be placed close together. Each kit contains all required guards. Order one hail guard kit per outdoor unit module.

### Indoor/Outdoor Wiring Cable

14-gauge, 4-conductor wire. THHN (Thermoplastic High Heat-resistant Nylon-coated) wire. Suitable for wet or dry locations. Rated up to 600V.

### Refrigerant Line Sets

Refrigerant lines are shipped refrigeration clean. Lines are cleaned, dried, pressurized and sealed at factory.

### Wall Brackets

Heavy duty 1/8 in. thick steel brackets for supporting outdoor units. Mount at any height to allow for easy maintenance under units. Pre-punched holes for easy installation. Powder coated gray finish. Load rating 600 lbs. per pair.

### Whips

Heavy duty electrical whips are available in 8 and 10 gauge sizes. 6 ft. lengths. Weatherproof metal conduit.

## INDOOR UNITS

### Condensate Pumps

Quietly and efficiently removes condensate.

See Optional Accessories Table for available pumps.

### A/C Easy Tee® Condensate Cleanout

Provides a condensate drain service port that is flexible and easy to use with nitrogen, water or shop vac.

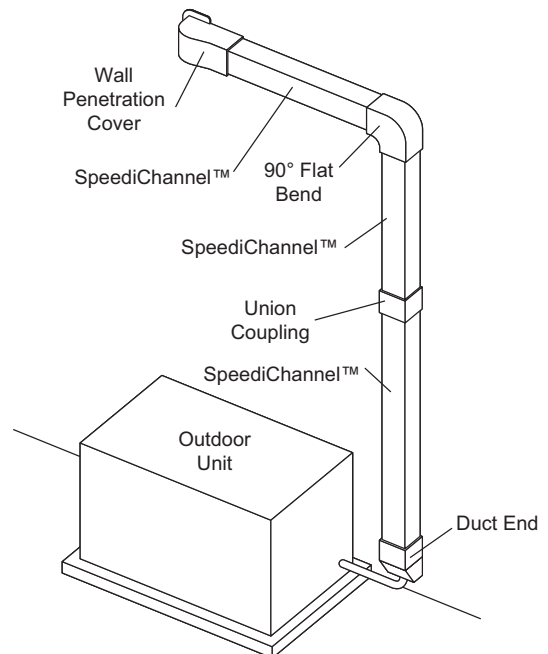
Screw cap on top allows easy access to condensate drain line.

## SPEEDICHANNEL™ SYSTEM



SpeediChannel™ is a channel system used to cover system line sets. The two-part system has a base and a cover. The base is fastened to a wall or ceiling with plastic clips (SpeediClip™) that snap into a channel already molded into the base. The cover fits on top of the base. SpeediChannel is manufactured from rigid PVC, which is UL rated and resistant to UV light. The system is a natural color that closely matches typical mini-split outdoor units. However, it can be painted as desired to match any wall color.

### Typical Application



## SPEEDICHANNEL™ SYSTEM (CONTINUED)

### SpeediChannel™ Starter Kit

The starter kit includes (1) Coupling, (1) Wall Penetration, (1) Inside Elbow, (1) Long Radius Flat Bend, (10) Speediclips™, (10) 11 in. Cable Ties, and (1) SpeediChannel Instruction Booklet.

### Duct End

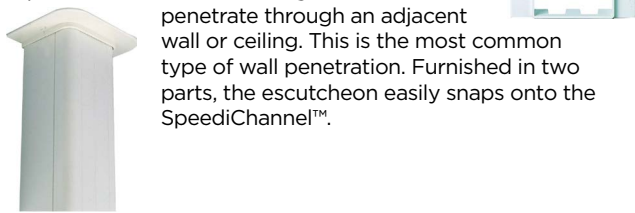
Duct Ends are used to terminate a run of SpeediChannel™ to a small opening just large enough for the line set and condensate drain line to pass through.



### Flat Wall Escutcheon

Flat Wall Escutcheons are used to cover a rough opening in a soffit, wall, or ceiling penetration. One side of the escutcheon is flat to allow for a SpeediChannel™ to run along a wall and to

penetrate through an adjacent wall or ceiling. This is the most common type of wall penetration. Furnished in two parts, the escutcheon easily snaps onto the SpeediChannel™.



### Flex Joint

A Flex Joint is an accordion-style piece of SpeediChannel™. The flex joint can be extremely flexible when routing a SpeediChannel™ system around an obstacle. Each joint is 20 in. long and can be combined together for longer flex runs. The flex joint does not require the use of a union coupling. The flex joint slides tightly inside the SpeediChannel™ system.

### T-Joint

T-Joints are used for creating a tee connection between three pieces of SpeediChannel™. Each tee is individually packed and furnished with stainless steel screws.



### Union Coupling

Union Couplings are used for joining two pieces of SpeediChannel™. Each coupling is individually packed and furnished with stainless steel screws.



### Wall Penetration Cover

Wall penetration covers are used to transition from the SpeediChannel™ system to a through wall penetration. Wall covers are designed to allow for easy installation, even after the line set has been installed. A hooking and fastening arrangement allows for quick installation. Each wall cover is individually packed, and furnished with stainless steel screws to attach the wall cover to the base. Three screws are necessary to fasten the wall cover to the wall construction, regardless of the type of installed system.



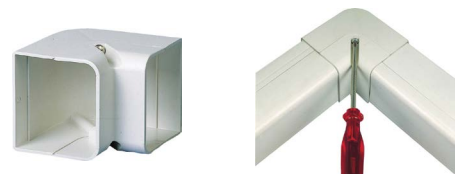
### 45° and 90° Flat Bend Elbows

45° Flat Bends are used to route the SpeediChannel™ around obstacles. Each bend is individually packed and furnished with stainless steel screws.



### 90° Inside Elbow

90° Inside Elbows are used to route the SpeediChannel™ around an inside corner. Each elbow is individually packed and furnished with stainless steel screws.



### Mount Block White Qty. (2) 14 in. and (2) 36 in.

Mount Blocks are used as mounting bases when outdoor units must be bolted down. End caps (for aesthetics) come furnished with mounting bolts. Maximum load capacity is 900 pounds per mounting block. Installation temperatures range from -4°F to 140°F. Mount blocks fit all mini-split outdoor units with a sliding rail feature.



**OPTIONAL ACCESSORIES - ORDER SEPARATELY**

DESCRIPTION		CATALOG #	09	12	18	24	30	36	48
<b>OUTDOOR UNIT</b>									
<b>CONDENSER PAD (18 X 36 X 2)</b>		Y5014	x	x	x	x	x	x	x
<b>DISCONNECTS</b>	<b>30 AMP, FUSED, 1 PH</b>	27P37	x	x	x	x	x	x	x
	<b>60 AMP, NON-FUSED, 1 PH</b>	27P39	x	x	x	x	x	x	x
<b>FUSES</b>	<b>30A</b>	83P75	x	x	x	x	x	x	x
	<b>60A</b>	83P77	x	x	x	x	x	x	x
<b>HAIL GUARDS</b>	<b>M9GARD14Q-1</b>	15D25	x	x	N/A				
	<b>M9GARD19Q-1</b>	15D32	x	N/A					
	<b>M9GARD15Q-1</b>	15D26	N/A		x	N/A			
	<b>M9GARD17Q-1</b>	15D28	N/A			x	x	x	N/A
	<b>M9GARD18Q-1</b>	15D29	N/A						
<b>LINE SETS</b>	<b>1/4" X 3/8" X 25'</b>	90X53	x	N/A					
	<b>1/4" X 3/8" X 50'</b>	X0258	x	N/A					
	<b>1/4" X 1/2" X 25'</b>	90X52	N/A	x	x	N/A			
	<b>1/4" X 1/2" X 50'</b>	X0259	N/A	x	x	N/A			
	<b>3/8" X 5/8" X 25'</b>	X8406	N/A			x	x	x	x
	<b>3/8" X 5/8" X 50'</b>	X8407	N/A			x	x	x	x
<b>WALL BRACKETS</b>	<b>30"</b>	X1727	x	x	x	x	N/A		
	<b>36"</b>	X1728	N/A				x	x	x
<b>WHIPS</b>	<b>10 GAUGE - 1/2" X 6'</b>	29P54	x	x	x	x	x	x	x
	<b>8 GAUGE - 3/4" X 6'</b>	27P44	x	x	x	x	x	x	x
<b>INDOOR UNIT</b>									
<b>CONDENSATE PUMP*</b>	<b>7.9 US GALLONS/HR. 35 FT. LIFT - 120/240V</b>	Y5170	x	x	x	x	x	x	x
<b>CONTROLS</b>									
<b>WIRELESS REMOTE CONTROL</b>		1.861056	x	x	x	x	x	x	x
<b>WIRED REMOTE CONTROL</b>		1.861057	x	x	x	x	x	x	x
<b>EXTENSION CABLE FOR WIRED REMOTE CONTROLLER - 20 FT.</b>		Y8008	x	x	x	x	x	x	x
<b>NOTE</b> - The wired remote controller above is furnished as standard with the indoor ducted models. As an option, the wired remote controller can be ordered for a wall-mount or cassette unit if desired. The wireless remote controller is furnished standard with the wall-mount and cassette units.									
<b>WIRED PROGRAMMABLE CONTROLLER</b>		1.861081	x	x	x	x	x	x	x
<b>EXTENSION CABLE FOR WIRED PROGRAMMABLE CONTROLLER - 20 FT.</b>		Y8738	x	x	x	x	x	x	x
<b>INDOOR/OUTDOOR WIRING CABLE 14 GAUGE, 4 CONDUCTOR WIRE, THHN, 250 FT.</b>		Y2067	x	x	x	x	x	x	x

\* The following items are also approved for use with indoor units:

- Diversitech Condensate Pumps with Reservoir
  - ClearVue Mini™ - 7.9 US gallons per hour, 35 ft. lift - 120/240V
  - Mini-Split Pump - 4 US gallons per hour, 20 ft. lift - 115V
  - Mini-Split Pump - 4 US gallons per hour, 20 ft. lift - 230V
- Blue Diamond Condensate Pumps with Reservoir
  - MicroBlue® - 1.3 US gallons per hour, 6 ft. lift - 110v-230V
  - MaxiBlue® - 3.7 US gallons per hour, 16.5 ft. lift - 208-230V
  - MegaBlue® - 13.2 US gallons per hour, 23 ft. lift - 110v-230V
- MultiTank Kit
- Sensor Cable Extension - 16 ft
- A/C Easy Tee® Condensate Cleanout

DESCRIPTION		CATALOG #	09	12	18	24	30	36	48
<b>LINESET COVER</b>									
STARTER KIT	4"	Y3387	x	x	x	x	x	x	x
LINESET COVER	4" X 6.5'	Y3388	x	x	x	x	x	x	x
UNION COUPLING	4"	Y3389	x	x	x	x	x	x	x
90 DEGREE FLAT BEND ELBOW	4"	Y3390	x	x	x	x	x	x	x
90 DEGREE INSIDE ELBOW	4"	Y3391	x	x	x	x	x	x	x
45 DEGREE FLAT BEND ELBOW	4"	Y3392	x	x	x	x	x	x	x
FLEX JOINT	4"	Y3393	x	x	x	x	x	x	x
T-JOINT	4"	Y3394	x	x	x	x	x	x	x
DUCT END	4"	Y3395	x	x	x	x	x	x	x
FALT WALL ESCUTCHEON	4"	Y3396	x	x	x	x	x	x	x
WALL PENETRATION COVER	4"	Y3399	x	x	x	x	x	x	x
MOUNT BLOCK (WHITE)	QTY (2) - 14"	Y3397	x	x	x	x	x	x	x
MOUNT BLOCK (WHITE)	QTY (2) - 36"	Y3398	x	x	x	x	x	x	x



1-800-448-5872

All specifications and illustrations subject to change without notice and without incurring obligations.