



Product Data

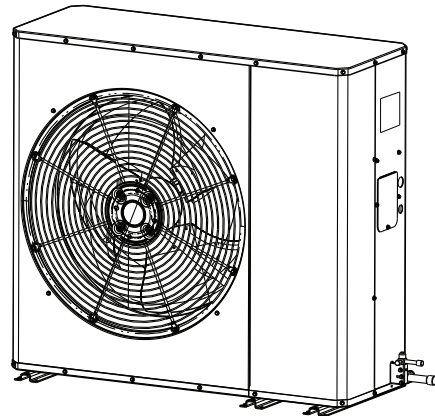
Side Discharge HP Models

For coastal applications where units are installed within one (1) mile of salt water, epoxy coated models are recommended. These models have an 8 week lead time after order.

4TWL5024N1000A
4TWL5030N1000A
4TWL5036N1000A
4TWL5042N1000A
4TWL5048N1000A

Epoxy Coated Model

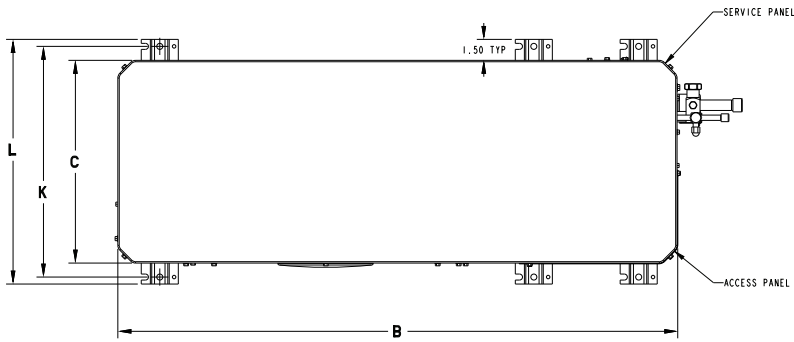
4TWL5024N1COTA
4TWL5030N1COTA
4TWL5036N1COTA
4TWL5042N1COTA
4TWL5048N1COTA



Note: "Graphics in this document are for representation only. Actual model may differ in appearance."



Outline Drawing



▲ SHOULD BE AT LEAST 152.4 (6 INCHES) FROM WALL AND 609.6 (2 FEET) FROM SURROUNDING SHRUBBERY ON ALL SIDES.

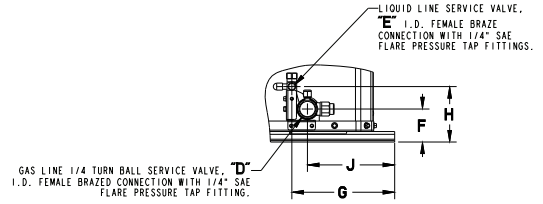


FIGURE 2

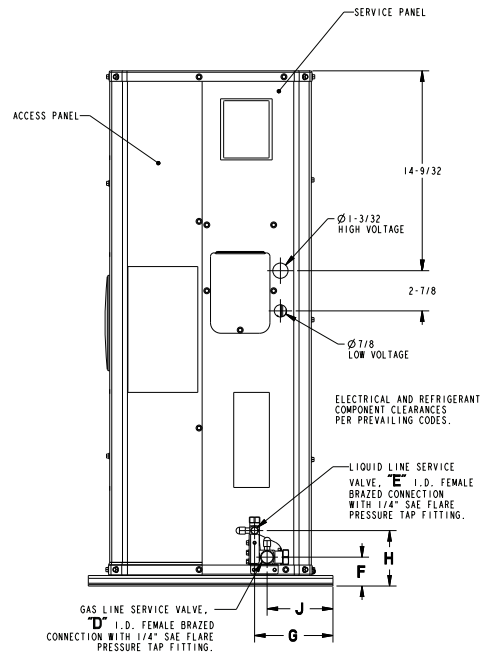
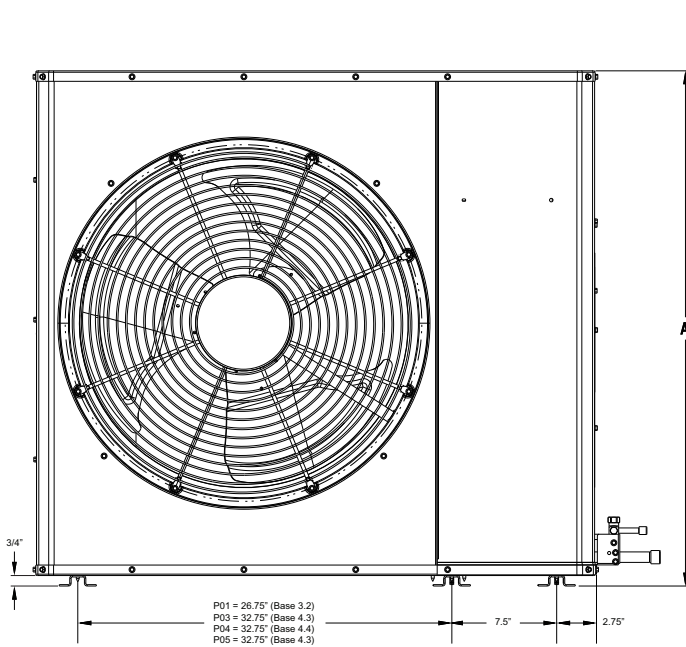


FIGURE 1

DWG. D159818_Rev D

Model	Base	A	B	C	D	E	F	G	H	J	K	L
4TWL5024N	4.3	934 (36-3/4)	1194 (47)	445 (17-1/2)	19 (3/4)	10 (3/8)	53 (2-1/16)	187 (7-11/32)	101 (3-31/32)	159 (6-1/4)	495 (19-1/2)	520 (20-1/2)
4TWL5030N	4.3	934 (36-3/4)	1194 (47)	445 (17-1/2)	19 (3/4)	10 (3/8)	53 (2-1/16)	187 (7-11/32)	101 (3-31/32)	159 (6-1/4)	495 (19-1/2)	520 (20-1/2)
4TWL5036N	4.3	934 (36-3/4)	1194 (47)	445 (17-1/2)	22 (7/8)	10 (3/8)	53 (2-1/16)	187 (7-11/32)	101 (3-31/32)	159 (6-1/4)	495 (19-1/2)	520 (20-1/2)
4TWL5042N	4.4	1086 (42-3/4)	1194 (47)	445 (17-1/2)	22 (7/8)	10 (3/8)	60 (2-3/8)	187 (7-11/32)	101 (3-31/32)	159 (6-1/4)	495 (19-1/2)	520 (20-1/2)
4TWL5048N	4.4	1086 (42-3/4)	1194 (47)	445 (17-1/2)	22 (7/8)	10 (3/8)	60 (2-3/8)	187 (7-11/32)	101 (3-31/32)	159 (6-1/4)	495 (19-1/2)	520 (20-1/2)



Sound Power Level

MODEL	A-Weighted Sound Power Level [dB(A)]	Full Octave Sound Power(dB)							
		63 Hz*	125 Hz	250 Hz	500 Hz	1000 Hz	2000 Hz	4000 Hz	8000 Hz
4TWL5024N	70	72	76	72	68	65	60	52	44
4TWL5030N	70	72	76	72	68	65	60	52	44
4TWL5036N	71	72	77	74	68	65	59	53	46
4TWL5042N	74	75	80	77	70	68	62	54	46
4TWL5048N	74	75	80	77	70	68	62	54	48

Note: Rated in accordance with AHRI Standard 270 *For Reference Only

MODEL	Sound Pressure [dB(A)]			
	3 ft	5 ft	10 ft	15 ft
4TWL5024N	63	58	52	49
4TWL5030N	63	58	52	49
4TWL5036N	64	59	53	50
4TWL5042N	67	62	56	53
4TWL5048N	67	62	56	53

Note: Rated in accordance with AHRI Standard 275



Product Specifications

Model No. ^(a)	4TWL5024N1XXXA	4TWL5030N1XXXA	4TWL5036N1XXXA
POWER CONNS. – V/PH/HZ ^(b)	208–230/1/60	208–230/1/60	208–230/1/60
MIN. BRCH. CIR. AMPACITY	15	15	17
BR. CIR. PROT. RTG. – MAX. (AMPS)	25	25	30
COMPRESSOR	CLIMATUFF® - SCROLL	CLIMATUFF® - SCROLL	CLIMATUFF® - SCROLL
R.L. AMPS – L.R. AMPS	11.7 – 71.3	11.7 – 71.3	13.1 – 83.1
OUTDOOR FAN	PROPELLER	PROPELLER	PROPELLER
DIA. (IN.)	27.5	27.5	27.5
NO. MOTORS – HP	1 – 1/8	1 – 1/8	1 – 1/8
F.L. AMPS	0.64	0.64	0.64
OUTDOOR COIL – TYPE	PLATE FIN	PLATE FIN	PLATE FIN
REFRIGERANT	6 LBS., 9 OZ	6 LBS, 9 OZ	6 LBS, 13 OZ
LINE SIZE – IN. O.D. GAS ^(c)	3/4	3/4	7/8
LINE SIZE – IN. O.D. LIQ. ^(c)	3/8	3/8	3/8
CHARGING SPECIFICATIONS			
SUBCOOLING	8°F	8°F	9°F
DIMENSIONS	H X W X D	H X W X D	H X W X D
CRATED (IN.)	40.88 X 54.5 X 23	40.88 X 54.5 X 23	40.88 X 54.5 X 23
WEIGHT			
SHIPPING (LBS.)	224	224	226
NET (LBS.)	197	197	199
OPTIONAL ACCESSORIES			
Evaporator Defrost Control	AY28X079	AY28X079	AY28X079
Rubber Isolator Kit	BAYISLT101	BAYISLT101	BAYISLT101
Start Kit	BAYKSKT263	BAYKSKT263	BAYKSKT263
Crankcase Heater Kit	BAYCCHT302RES	BAYCCHT302RES	BAYCCHT302RES
Snow Leg Kit 4"	BAYLEGS004	BAYLEGS004	BAYLEGS004
Snow Leg Kit 7"	BAYLEGS007	BAYLEGS007	BAYLEGS007
Scroll Compressor Enclosure	BAYSDEN003	BAYSDEN003	BAYSDEN003
Low Ambient Kit	BAYLOAM107A	BAYLOAM107A	BAYLOAM107A
Wall Mount Kit	BRK05033 ^(d)	BRK05033 ^(d)	BRK05033 ^(d)
Wind Baffle Kit	BAYWIND100	BAYWIND100	BAYWIND101
Evaporator Defrost Control	AY28X079	AY28X079	AY28X079
Refrigerant Lineset ^(e)			

^(a) Certified in accordance with the Air-Source Unitary Air-conditioner Equipment certification program, which is based on AHRI standard 210/240.

^(b) Calculated in accordance with Natl. Elec. Codes. Use only HACR circuit breakers or fuses.

^(c) Standard line lengths – 150'; Standard lift – 50' Suction and Liquid line. For Greater lengths and lifts refer to refrigerant piping software Pub#32–3312–0* (* denotes latest revision).

^(d) Available from Trane Parts

^(e) 25, 30, 35 and 50 foot linesets available. For a complete listing of lineset options available from equipment or supply stores, refer to the Trane Residential and Light Commercial Product Handbook.

OUTDOOR UNIT ^(a)	4TWL5042N1XXXA	4TWL5048N1XXXA
POWER CONNS. – V/PH/HZ ^(b)	208–230/1/60	208–230/1/60
MIN. BRCH. CIR. AMPACITY	24	24
BR. CIR. PROT. RTG. – MAX. (AMPS)	40	40
COMPRESSOR	CLIMATUFF® - SCROLL	CLIMATUFF® - SCROLL
R.L. AMPS – L.R. AMPS	18.3 – 108	18.3 – 108
OUTDOOR FAN	PROPELLER	PROPELLER
DIA. (IN.)	27.5	27.5
NO. MOTORS – HP	1 – 1/5	1 – 1/5
F.L. AMPS	1.05	1.05
OUTDOOR COIL – TYPE	PLATE FIN	PLATE FIN
REFRIGERANT	8 LBS, 5 OZ	8 LBS, 5 OZ.
LINE SIZE – IN. O.D. GAS ^(c)	7/8	7/8
LINE SIZE – IN. O.D. LIQ. ^(c)	3/8	3/8
CHARGING SPECIFICATIONS		
SUBCOOLING	9°F	9°F
DIMENSIONS	H X W X D	H X W X D
CRATED (IN.)	46.88 X 54.5 X 23	46.88 X 54.5 X 23
WEIGHT		
SHIPPING (LBS.)	266	266
NET (LBS.)	239	239
OPTIONAL ACCESSORIES		
Evaporator Defrost Control	AY28X079	AY28X079
Rubber Isolator Kit	BAYISLT101	BAYISLT101
Start Kit	BAYKSKT263	BAYKSKT263
Crankcase Heater Kit	BAYCCHT302RES	BAYCCHT302RES
Snow Leg Kit 4"	BAYLEGS004	BAYLEGS004
Snow Leg Kit 7"	BAYLEGS007	BAYLEGS007
Scroll Compressor Enclosure	BAYSDEN003	BAYSDEN003
Low Ambient Kit	BAYLOAM107A	BAYLOAM107A
Wall Mount Kit	BRK05033 ^(d)	BRK05033 ^(d)
Wind Baffle Kit	BAYWIND100	BAYWIND100
Evaporator Defrost Control	AY28X079	AY28X079
Refrigerant Lineset ^(e)		

^(a) Certified in accordance with the Air-Source Unitary Air-conditioner Equipment certification program, which is based on AHRI standard 210/240.

^(b) Calculated in accordance with Natl. Elec. Codes. Use only HACR circuit breakers or fuses.

^(c) Standard line lengths – 150'; Standard lift – 50' Suction and Liquid line. For Greater lengths and lifts refer to refrigerant piping software Pub#32–3312–0* (* denotes latest revision).

^(d) Available from Trane Parts

^(e) 25, 30, 35 and 50 foot linesets available. For a complete listing of lineset options available from equipment or supply stores, refer to the Trane Residential and Light Commercial Product Handbook.



Accessory Description and Usage

Evaporation Defrost Control — SPST Temperature actuated switch that cycles the condenser off as indoor coil reaches freeze-up conditions. Used for low ambient cooling to 30°F with TXV.

Rubber Isolators — Six (6) large rubber donuts to isolate condensing unit from transmitting energy into mounting frame or pad. Use on any application where sound transmission needs to be minimized.

Hard Start Kit — Start capacitor and relay to assist compressor motor startup. Use in areas with marginal power supply, on long linesets, low ambient conditions, etc.

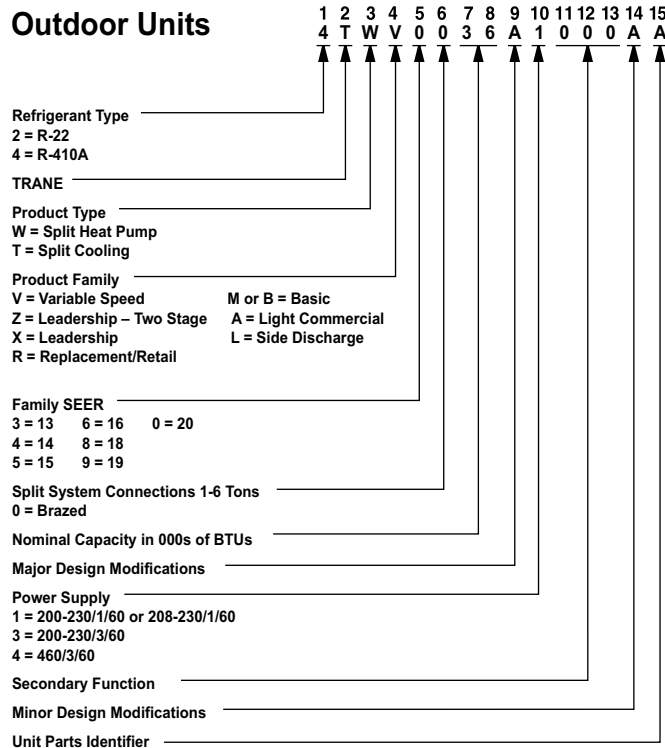
AHRI Standard Capacity Rating Conditions

AHRI Standard 210/240 Rating Conditions

1. Cooling 80°F DB, 67°F WB air entering indoor coil, 95°F DB air entering outdoor coil.

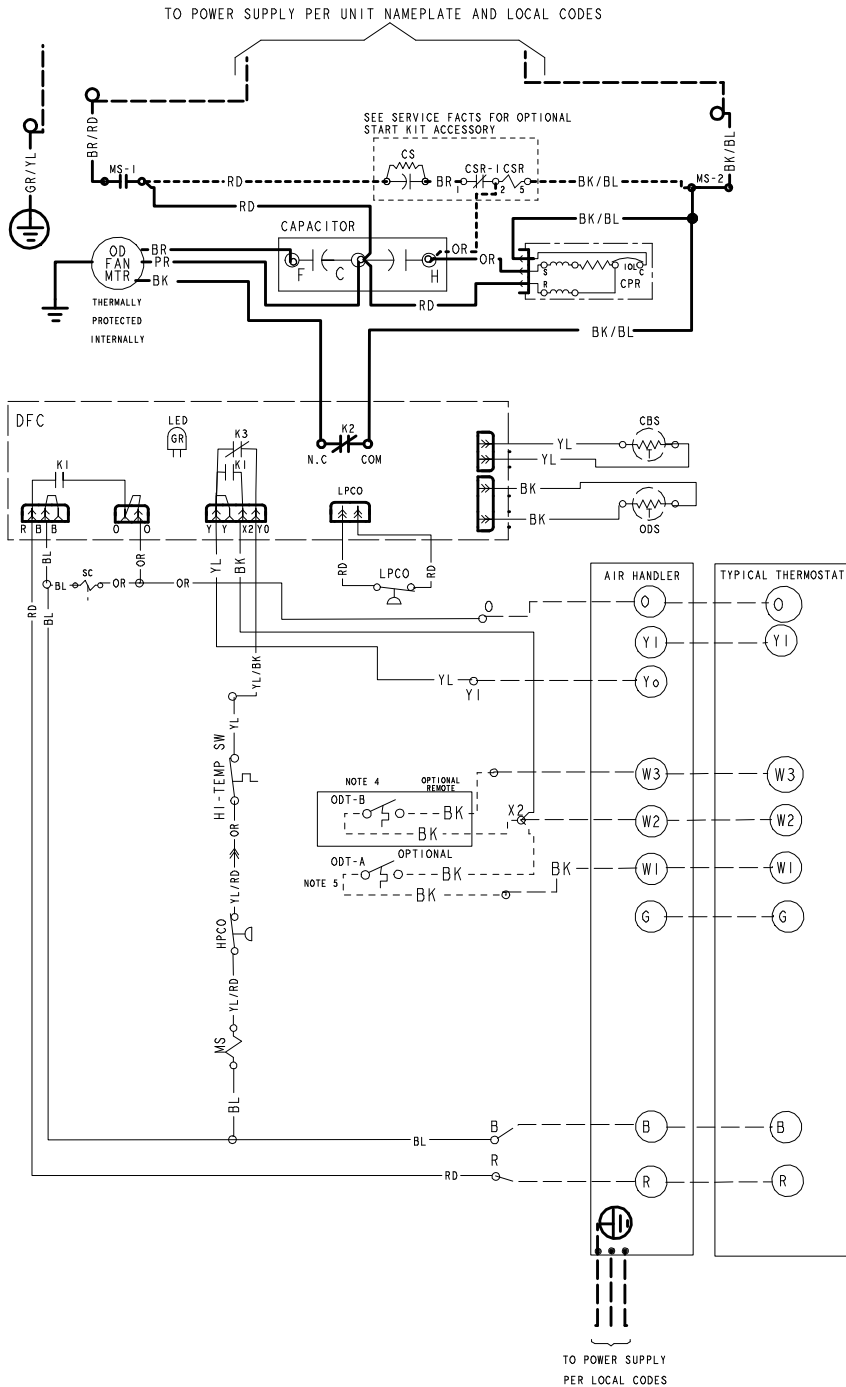
AHRI Standard 270 Rating Conditions — (Noise rating numbers are determined with the unit in cooling operations.) Standard Noise Rating number is at 95°F outdoor air.

Model Nomenclature



Wiring

Figure 1. 2.0, 2.5 and 3.0 Ton Models



LEGEND

ACR	A/C RECTIFIER
CBS	COIL BOTTOM SENSOR
CF	FAN CAPACITOR
CN	WIRE CONNECTOR
CPR	COMPRESSOR
CR	RUN CAPACITOR
CS	STARTING CAPACITOR
CSR	CAPACITOR SWITCHING RELAY
DFC	DEFROST CONTROL
EEV	ELECTRONIC EXP VALVE
EVC	ELECTRONIC EXP VALVE CONTROL
F	INDOOR FAN RELAY
HPCO	HIGH PRESSURE CUTOFF SWITCH
IOL	INTERNAL OVERLOAD PROTECTOR
LPCO	LOW PRESSURE CUTOFF SWITCH
MS	COMPRESSOR MOTOR CONTACTOR
ODA	OUTDOOR ANTICIPATOR
OFT	OUTDOOR FAN THERMOSTAT
ODS	OUTDOOR TEMPERATURE SENSOR
ODT	OUTDOOR THERMOSTAT
P-TRD	PRESSURE TRANSDUCER
SC	SWITCH OVER VALVE SOLENOID
SM	SYSTEM ON-OFF SWITCH
TDL	DISCHARGE LINE THERMOSTAT
TDR	TIME DELAY RELAY (5 SEC DELAY ON)
TNS	TRANSFORMER
TEMP	SENSOR, TEMPERATURE
Y2C	HIGH CAPACITY CONTROL RELAY

← COLOR OF WIRE
BK/BL ← COLOR OF MARKER

BK BLACK RD RED OR ORANGE
BL BLUE WH WHITE GR GREEN
BR BROWN YL YELLOW PR PURPLE
PK PINK

FOR CANADIAN INSTALLATIONS
POUR INSTALLATIONS CANADIENNES

CAUTION: NOT SUITABLE FOR USE ON
SYSTEMS EXCEEDING 150V-TO-GROUND
ATTENTION: NE CONVIENT PAS AUX
INSTALLATIONS DE PLUS DE 150 V A
LA TERRE

WARNING

HAZARDOUS VOLTAGE!
DISCONNECT ALL ELECTRICAL POWER
INCLUDING REMOTE DISCONNECTS
BEFORE SERVICING.
Failure to disconnect power
before servicing can cause severe
personal injury or death.

CAUTION

USE COPPER CONDUCTORS ONLY!
UNIT TERMINALS ARE NOT DESIGNED
TO ACCEPT OTHER TYPES OF CONDUCTORS.
Failure to do so may cause damage
to the equipment.

PRINTED FROM DI59503P02 REVA

NOTES:

1. BE SURE POWER SUPPLY AGREES WITH EQUIPMENT NAMEPLATE.
2. POWER WIRING AND GROUNDING OF EQUIPMENT MUST COMPLY WITH LOCAL CODES.
3. LOW VOLTAGE WIRING TO BE NO. 18 AWG MINIMUM CONDUCTOR.
4. ODT-B MUST BE SET LOWER THAN ODT-A
5. IF ODT-A IS NOT USED, ADD JUMPER BETWEEN W1 AND W2 AT AIR HANDLER

Figure 2. 2.0, 2.5 and 3.0 Ton Models

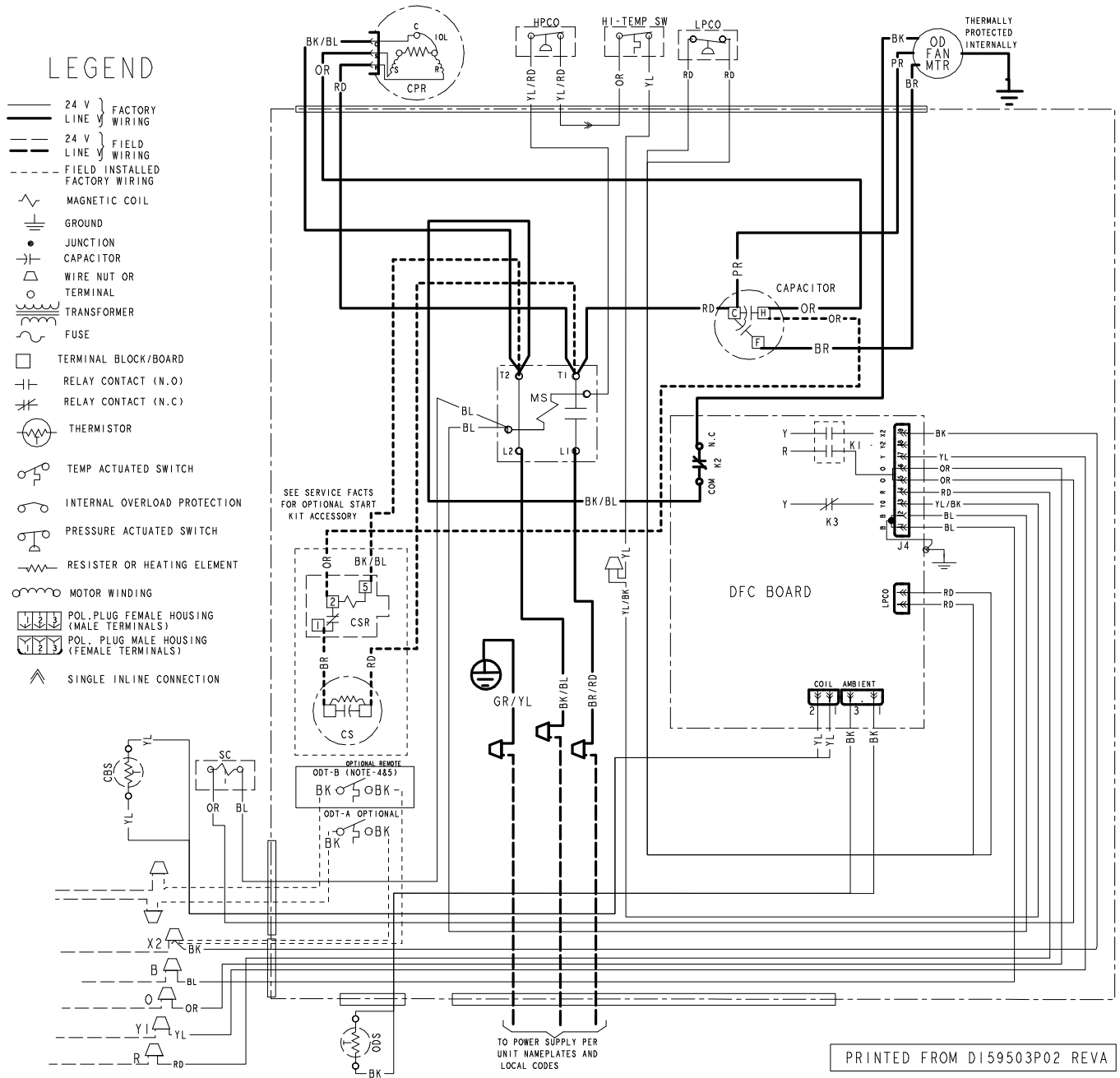
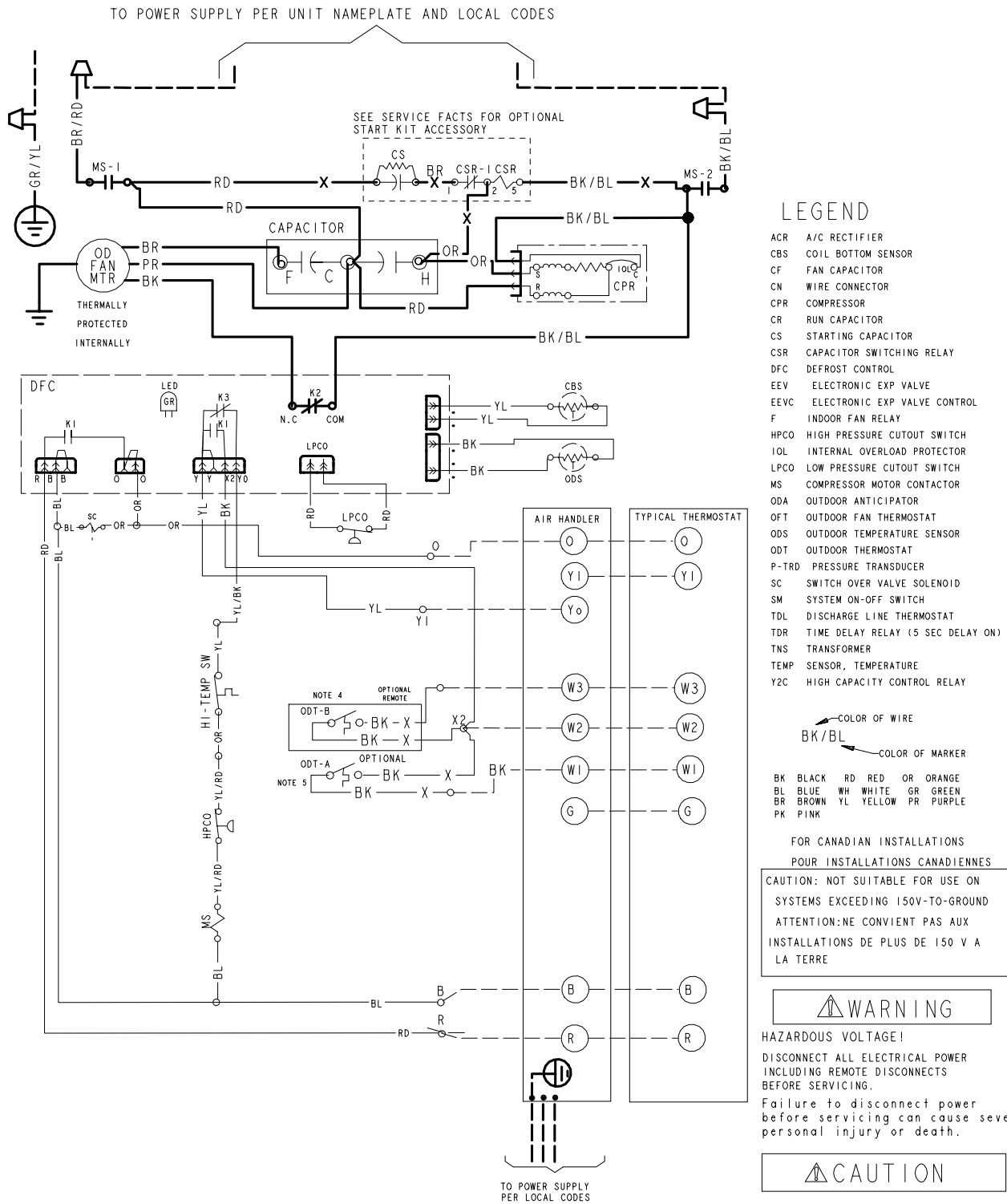
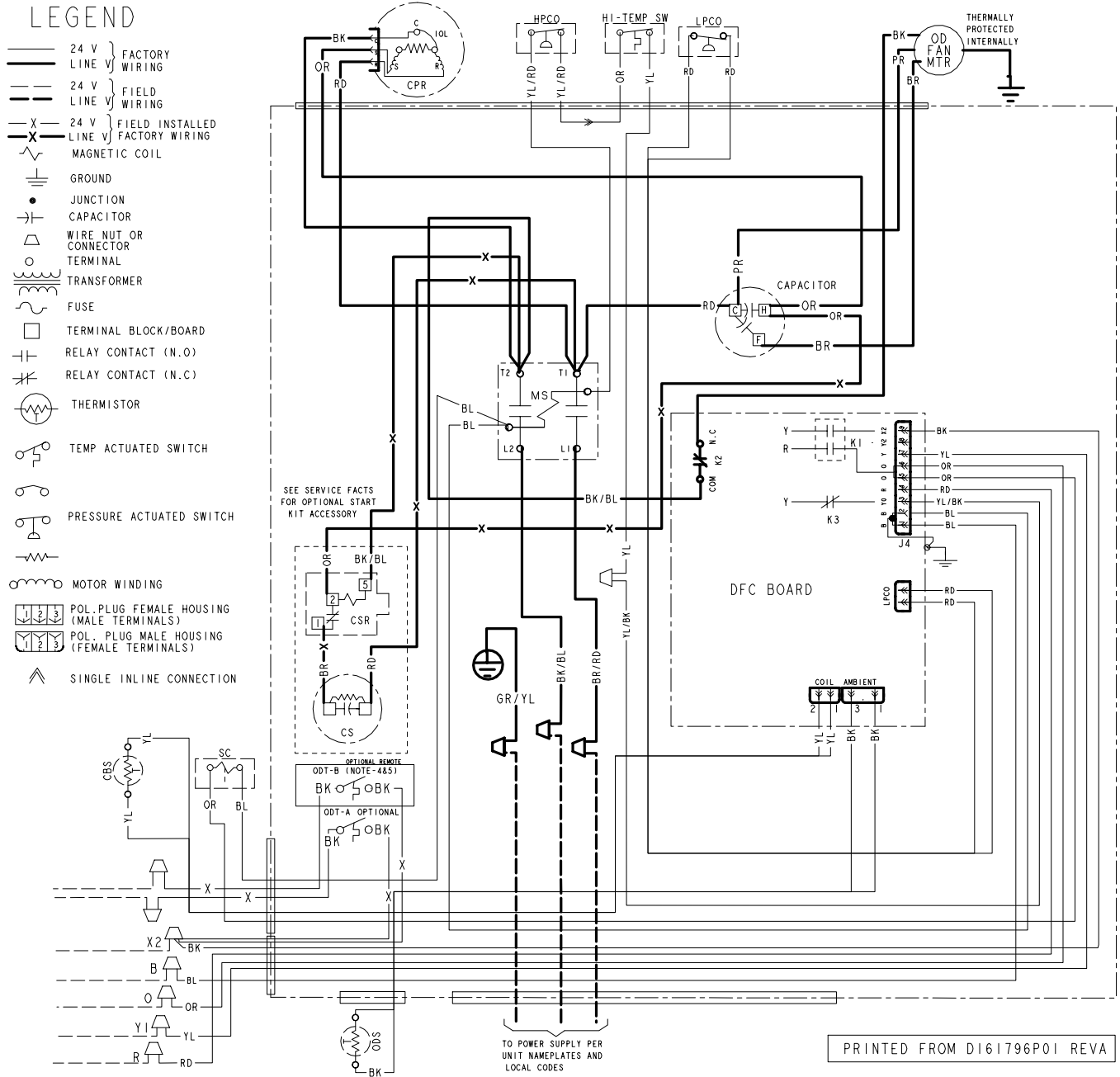


Figure 3. 3.5 and 4.0 Ton Models


- NOTES:
1. BE SURE POWER SUPPLY AGREES WITH EQUIPMENT NAMEPLATE.
 2. POWER WIRING AND GROUNDING OF EQUIPMENT MUST COMPLY WITH LOCAL CODES.
 3. LOW VOLTAGE WIRING TO BE NO. 18 AWG MINIMUM CONDUCTOR.
 4. ODT-B MUST BE SET LOWER THAN ODT-A
 5. IF ODT-A IS NOT USED, ADD JUMPER BETWEEN W1 AND W2 AT AIR HANDLER

Figure 4. 3.5 and 4.0 Ton Models





Mechanical Specification Options

General

The outdoor condensing units are factory charged with the system charge required for the outdoor condensing unit, ten (10) feet of tested connecting line, and the smallest rated indoor evaporative coil match. This unit is designed to operate at outdoor ambient temperatures as high as 115°F. Cooling capacities are matched with a wide selection of air handlers and furnace coils that are AHRI certified. The unit is certified to UL 1995. Exterior is designed for outdoor application.

Casing

Unit casing is constructed of heavy gauge, galvanized steel and painted with a weather-resistant powder paint finish. The corner panels are prepainted. All panels are subjected to our 1,000 hour salt spray test.

Refrigerant Controls

Refrigeration system controls include condenser fan, compressor contactor and low and high pressure switches. A factory supplied, field installed liquid line drier is standard.

Compressor

The compressor features internal over temperature and pressure protection. Other features include: Centrifugal oil pump and low vibration and noise.

Condenser Coil

The outdoor coil provides low airflow resistance and efficient heat transfer. The coil is protected on all four sides by louvered panels.

Low Ambient Cooling

As manufactured, this system has a cooling capacity to 55°F. The addition of an evaporator defrost control permits operation to 40°F. The addition of an evaporator defrost control with TXV permits low ambient cooling to 30°F.

The addition of the BAYLOAM107A low ambient kit permits ambient cooling to 20°F.

Thermostats – Cooling only and heat/cooling (manual and automatic change over). Sub-base to match thermostat and locking thermostat cover.



Trane - by Trane Technologies (NYSE: TT), a global innovator - creates comfortable, energy efficient indoor environments for commercial and residential applications. For more information, please visit trane.com or tranetechnologies.com.



The AHRI Certified mark indicates Trane U.S. Inc. participation in the AHRI Certification program. For verification of individual certified products, go to ahridirectory.org.

Trane has a policy of continuous data improvement and it reserves the right to change design and specifications without notice. We are committed to using environmentally conscious print practices.