

# PRODUCT HANDBOOK 2026

RESIDENTIAL & LIGHT COMMERCIAL



2026 PRODUCT HANDBOOK

22-8301-39

# Smarter Service. Sharper Insights. Stronger Performance.



## Introducing Trane Diagnostics Premium

The advanced solution for dealers who want to deliver faster service, deeper insights and stronger customer relationships.

Trane Diagnostics Premium equips your team with powerful tools designed to deliver:

- **Tech Assistant:** Solve problems faster with instant, intelligent support through AI
- **Extended Runtime History:** Access deeper data for proactive planning
- **Maintenance Trends:** Spot issues early to prevent costly breakdowns
- **Communication Capabilities with Customers:** Share branded, easy-to-read reports that build homeowner trust
- **Historical System Report Storage:** View historical reports for easy access in one location

### Pricing Breakdown

- **Monthly Plan:** \$250 per month (No commitment)
- **Annual Plan:** \$200 per month (billed as \$2,400 annually, save \$600)

SCAN ME



**Don't wait—unlock the full potential  
of Trane Diagnostics Premium today.**

**Log into Trane Diagnostics to upgrade now!**



*It's Hard To Stop A Trane.®*





It's Hard To Stop A Trane.®

To easily return to the Table of Contents, please click on the Trane logo on any page.



Stay current through the year. View the 2026 Digital Product Handbook by scanning the QR Code above.

This publication is for general reference information only and is not intended for systems equipment / combination selections.

For complete equipment / combination selections, installation instructions and warranty information please refer to Product Data/Ratings and/or Installers Guides and Limited Warranty Handbooks.

Products listed in this book are not always carried in factory/distributor inventory, nor are all products available through all distribution channels. Consult your Distributor for availability and shipping information.

Since Trane has a policy of continuous product improvement, it reserves the right to change design and specification without notice.

© 2026 Trane. All rights reserved.

For complete equipment / combination selections, installation instructions and warranty information, please refer to Product Data/Ratings and/or Installers Guides and Limited Warranty Handbooks.

# Contents - Residential

## Premium Model Nomenclature

- Outdoor (Heat Pumps, Air Conditioners) .....NOM-1
- Air Handlers.....NOM-2
- Coils.....NOM-3
- Packaged Units.....NOM-4
- Furnaces.....NOM-5
- Indoor Air Quality (IAQ) .....NOM-6
- Controls / Zoning .....NOM-8

## Connected Comfort Solutions

- Conventional 24 Volt Smart Thermostat .....CHS-1
- ComfortLink™ II Communicating Smart Thermostat .....CHS-3
- Trane® Home Compatible Products .....CHS-4

## Split System Cooling

- TruComfort™ Variable Speed Single Phase, 2-5 Tons (5TTV0, 5TTV8).....SC-1
- Single Phase, 2-5 Tons (5TTX7, 5TTR7)..... SC-3
- Single Phase, 1½-5 Tons (5TTX5, 5TTR5, 5TTR4, 5TTR3) ..... SC-5
- Three Phase 3-5 Tons (5TTA4, 5TTA3)..... SC-8

## Split System Heat Pumps

- TruComfort™ Variable Speed Single Phase, 2-5 Tons (5TWV0, 5TWV8) ..... SH-1
- Multi-Speed Heat Pumps Single Phase – 2-5 Tons (5TWX7, 5TWR7)..... SH-3
- Single Phase, 1½-5 Tons (5TWX5, 5TWR5, 5TWR4) ..... SH-5
- Three Phase (5TWA4)..... SH-7
- Multi-Speed Low Profile Heat Pumps (5HCL6/5HCL9, 5HPL6/5HPL9, 5HCL5, 5HPL5) ..... SH-8

## Air Handlers/Heaters

- Hyperion, 5TAMX Features and Benefits ..... AH-1
- Hyperion, 5TAMX Variable Speed Multi-Position, 2-5 Tons (5TAMX) ..... AH-2
- Hyperion, 5TAM5 Multi-Position Chart..... AH-5
- Hyperion, 5TAM5 Multi-Position, Single Phase, 1½-5 Tons (5TAM5)..... AH-6
- Heaters for Hyperion Multi-Position..... AH-8
- 5TEMC Split System, Single Phase, 1½-5 Tons (5TEMC) ..... AH-10
- 5TEM6 Split System, Single Phase, 1½-5 Tons (5TEM6) ..... AH-10
- 5TEM4 Split System, Single Phase, 1½-5 Tons (5TEM4) ..... AH-10
- Heaters for 5TEM Split System Air Handlers..... AH-12
- 5TMM Wall, Stud, or Over the Water Heater Mount Air Handlers Single Phase, 1½-3 Tons (5TMM5) .....AH-14
- 120V Modular Variable Speed Air Handler (P0V0) ..... AH-15
- AHU Air Handlers (5TDM5, 5TEM7, 5TEM9) ..... AH-16

## Coils

- Split System Aluminum Cased Heat Pump and Cooling (5TXC, 5PXC-U, 5PXC-D).....COIL-1
- Split System Aluminum Cased Heat Pump and Cooling (5MXC) .....COIL-2
- Split System Aluminum Cased Heat Pump and Cooling (5PXFH).....COIL-2
- Split System Aluminum Uncased Heat Pump and Cooling (5AXA) ..... COIL-4
- R-410A Split System Uncased Heat Pump and Cooling Coils (4TXC replacement only) .....COIL-5
- 5DXC - Cased Heat Pump Coils (5DXC) .....COIL-6



It's Hard To Stop A Trane.®

To easily return to the Table of Contents, please click on the Trane logo on any page.

# Contents - Residential

## Furnaces

- 97 Two-Stage Variable Speed Gas Furnace (S9V2-VS)..... FUR-1
- 96 Two-Stage Gas Furnace (S9X2)..... FUR-2
- Convertible Gas Furnaces Features & Accessories (S9V2-VS, S9V2, S9X2)..... FUR-3
- 96 Single-Stage Gas Furnace (S9X1) ..... FUR-4
- 92 Single-Stage Builder-Grade Gas Furnace (S9B1)..... FUR-4
- Convertible Gas Furnaces Features & Accessories (S9X1, S9B1) ..... FUR-5
- 96 Modulating Variable Speed Gas Furnace Airflow Directions ..... FUR-6
- 96 Modulating Variable Speed Gas Furnace (TUHM, TDHM) ..... FUR-7
- 96 Modulating Variable Speed Gas Furnace Features & Accessories ..... FUR-8
- Special Use Furnace Accessories..... FUR-9
- 80 Two-Stage Variable Speed Gas Furnace (S8V2-C)..... FUR-10
- 80 Two-Stage Gas Furnace (S8X2)..... FUR-10
- 80 Single-Stage Gas Furnace (S8X1) ..... FUR-11
- 80 Single-Stage Builder-Grade Gas Furnace (S8B1)..... FUR-11
- Convertible Gas Furnaces Features & Accessories (S8V2-C, S8X2, S8X1, S8B1) ..... FUR-12
- 80 Single-Stage Variable Speed Ultra-Low Nox Gas Furnace (L8V1) - CALIFORNIA & COLORADO ONLY ..... FUR-14

## Indoor Air Quality

- Trane CleanEffects™ Whole House Air Cleaner (EFD) ..... IAQ-1
- Perfect Fit™ Filter Accessories and SlimFit Filters ..... IAQ-2
- QuikBox™ Media Cabinet and Filters ..... IAQ-3
- Humidifiers Steam..... IAQ-4
- Humidifiers Fan Powered and Bypass..... IAQ-5
- Whole Home Dehumidifiers with Optional Ventilation (5DHUM)..... IAQ-6
- Inline Ventilators (QF130V)..... IAQ-7
- Premium Energy Recovery Ventilator (ERV)..... IAQ-8
- Awair Element Indoor Air Quality Monitor..... IAQ-9

## Comfort Controls/Zone Sensors

- Conventional 24 Volt Smart Thermostat ..... CCZO-1
- Trane® Link Communicating System Controller and Smart Thermostat ..... CCZO-3
- ComfortLink™ II Communicating Smart Thermostat ..... CCZO-4
- ComfortLink™ II Zone Thermostat Communicating Sensor with Display ..... CCZO-5
- Trane® Link Zone Thermostat Communicating Sensor with Display..... CCZO-6
- Trane® Pivot™ Commercial Thermostats ..... CCZO-7
- Trane® Link Zone Panel, 8X CAN Bus Distribution Board, Trane® Link Zone Kit.. CCZO-8
- Conventional 24 Volt HVAC System Interface Relay Panel for Trane® Link Controls..... CCZO-9
- Trane® Link System Component Overview ..... CCZO-10
- Conventional 24 Volt HVAC System Interface Relay Panel for ComfortLink™ Controls..... CCZO-12
- ComfortLink™ II Zoning Assembly and Zone Expander Panel..... CCZO-13
- ComfortLink™ II XL1050 Control Component Overview ..... CCZO-14
- ComfortLink™ II Zoning Component Overview ..... CCZO-15
- 24 Volt Modulating Dampers ..... CCZO-17
- Programmable Touchscreen Thermostats..... CCZO-22
- Programmable Thermostats..... CCZO-23
- Non-Programmable Comfort Controls..... CCZO-24
- Remote Sensors..... CCZO-25
- Outdoor Thermostat Kit ..... CCZO-26



It's Hard To Stop A Trane.®

To easily return to the Table of Contents, please click on the Trane logo on any page.

# Contents - Residential

## Packaged Units

- Cooling Convertible, 2-5 Tons (5TCC4)..... PK-1
- Hybrid/Dual Fuel Convertible, 2-5 Tons (5DCZ5)..... PK-3
- Heat Pump Convertible, 2-5 Tons (5WCZ5)..... PK-5
- Heat Pump Convertible, 2-5 Tons (5WCC4)..... PK-5
- Gas/Electric Convertible, 2-5 Tons (5YCZ5)..... PK-8
- Gas/Electric Convertible, 2-5 Tons (5YCC4)..... PK-9
- Convertible, 2-5 Tons Single Power Entry Kits..... PK-12
- Convertible, 2-5 Tons Supplemental Heaters..... PK-13

## Accessories/Information

- Roof Curbs (BAYCURB050A, BAYCURB051A).....ACIN-1
- Thermal Expansion Valves.....ACIN-2
- Equipment Date Identification.....ACIN-3
- R-454B Liquid Line and Vapor Line Pressure Drop.....ACIN-4
- R-454B Cooling, Heating Capacity Loss.....ACIN-5
- Branch Circuit Wire Sizing Table/Heater De-Rating Chart.....ACIN-6
- Basic Air Conditioning Formulas.....ACIN-7
- Low Ambient R-410A Cooling Operation Accessories.....ACIN-8
- Low Ambient R-454B Cooling Operation Accessories.....ACIN-9

## RunTru™

- Value Model Nomenclature
  - Outdoor..... RTNOM-1
  - Air Handlers..... RTNOM-2
  - Furnaces..... RTNOM-3
  - Coils..... RTNOM-4
  - Packaged Units..... RTNOM-5
  - Ductless..... RTNOM-6
- Split System Cooling Single Phase – 1½-5 Tons (A5AC3, A5AC4, A5AC5)..... RTSC-1
- Split System Heat Pumps Single Phase – 1½-5 Tons (A5HP4, A5HP5, A5HL5).....RTSH-1
- Split System Air Handlers Single Phase – 1½-5 Tons (A5AHV, A5AHC)..... RTAH-1
- 5TMM Wall, Stud, or Over the Water Heater Mount Air Handlers Single Phase – 1½-3 Tons (5TMM5)..... RTAH-4
- Split System – Cased Heat Pump and Cooling Coils (5MXC)..... RTCOIL-1
- A801X - Single Stage, ECM..... RTFUR-1
- A951X - Single Stage, ECM..... RTFUR-3
- A952V - Two Stage, Variable Speed ECM..... RTFUR-3
- Packaged Cooling Convertible 2-5 Tons (A5PA3)..... RTPK-1
- Packaged Heat Pump Convertible 2-5 Tons (A5PH3)..... RTPK-3
- Packaged Gas/Electric Convertible 2-5 Tons (A5PG3)..... RTPK-5
- Ductless Single Zone System Heat Pump (23 SEER2).....RTDUC-1
- Ductless Single Zone System Heat Pump (19 SEER2).....RTDUC-2
- Ductless Single Zone System 115V Heat Pump.....RTDUC-3
- Ductless Multi Zone Outdoor Units.....RTDUC-3



It's Hard To Stop A Trane.®

To easily return to the Table of Contents, please click on the Trane logo on any page.

# Contents - Light Commercial

## Split System Cooling

- Odyssey with Symbio™ Cooling Split Systems  
Single Circuit, Three Phase – 6-25 Tons, R-454B (TTA) ..... LSC-1
- Odyssey with Symbio™ Cooling Split Systems  
Dual Circuit, Three Phase, 6-25 Tons, R-454B (TTA) ..... LSC-2
- Three Phase, 6-25 Tons, R-454B Condenser Accessories ..... LSC-3
- Three Phase, 6-25 Tons, R-454B Control Options ..... LSC-4

## Split System Heat Pumps

- Odyssey with Symbio™ Three Phase, 6-20 Tons, R-454B (TWA) ..... LSH-1
- Three Phase, 6-20 Tons, R-454B Accessories ..... LSH-2
- Three Phase, 6-20 Tons, Controls ..... LSH-2

## Air Handlers/Heaters

- Odyssey with Symbio™ Heat Pumps Single and Three Phase – 5-25 Tons,  
R-454B (TWE) ..... LAH-1
- Odyssey with Symbio™ Heat Pump Single and Three Phase – 5-25 Tons,  
R-454B Electric Heaters ..... LAH-3
- Odyssey with Symbio™ Heat Pump Single and Three Phase – 5-25 Tons,  
R-454B Electric Heater Accessories ..... LAH-4

## Packaged Cooling

- Precedent™ Package Rooftop Units Cooling, R-454B Features ..... LPC-1
- Precedent™ Package Cooling Rooftop Units, R-454B  
(Nomenclature / Model Number Digits) ..... LPC-2
- Precedent™ Package Rooftop Units: Cooling with Symbio700™  
14 SEER, R-454B (TSK) ..... LPC-3
- Precedent™ Package Rooftop Units: Cooling with Symbio700™  
17 SEER, R-454B (THK) ..... LPC-4
- Precedent™ Package Rooftop Units: Cooling with Symbio700™  
R-454B Accessories ..... LPC-5
- Foundation™ Package Cooling Rooftop Units, R-454B  
(Nomenclature / Model Number Digits) ..... LPC-8
- Foundation™ Package Cooling Rooftop Units  
3-5 Tons, R-454B (EDK) ..... LPC-9
- Foundation™ Packaged Cooling 3-5 Ton, R-454B Accessories ..... LPC-10
- Foundation™ Packaged Cooling 3-5 Ton, R-454B Heaters ..... LPC-11
- Foundation™ Packaged Cooling Rooftop Units  
7.5-12.5 Tons, R-454B (EDK) ..... LPC-12
- Foundation™ Packaged Cooling 7.5-12.5 Ton, R-454B  
Accessories and Heaters ..... LPC-13
- Foundation™ Package Cooling Rooftop Units  
15-25 Tons, R-454B (EDK) ..... LPC-14
- Foundation™ Packaged Cooling 15-25 Ton, R-454B  
Accessories and Heaters ..... LPC-15

## Packaged Heating

- Precedent™ Package Rooftop Units, Heat Pumps, R-454B Features ..... LPH-1
- Precedent™ Package Heat Pump, R-454B  
(Nomenclature / Model Number Digits) ..... LPH-2
- Precedent™ Package Rooftop Units: Heat Pump  
with Symbio700™ 14 SEER, R-454B (WSK, DSK) ..... LPH-3
- Precedent™ Package Rooftop Units: Heat Pump  
with Symbio700™ 17 SEER, R-454B (WHK, DHK) ..... LPH-5
- Precedent™ Package Rooftop Units: Heat Pump  
with Symbio700™ R-454B Accessories ..... LPH-7



It's Hard To Stop A Trane.®

To easily return to the Table of Contents, please click on the Trane logo on any page.

# Contents - Light Commercial

## Packaged Gas/Electric

- Precedent™ Package Gas/Electric Rooftop Units, R-454B Features ..... LPG-1
- Precedent™ Package Gas/Electric Rooftop Units, R-454B (Nomenclature / Model Number Digits)..... LPG-2
- Precedent™ Package Rooftop Units: Gas/Electric with Symbio700™ 14 SEER, R-454B (YSK)..... LPG-3
- Precedent™ Package Rooftop Units: Gas/Electric with Symbio700™ 17 SEER, R-454B (YHK) ..... LPG-6
- Precedent™ Package Rooftop Units: Gas/Electric with Symbio700™ R-454B Accessories ..... LPG-9
- Foundation™, Package Gas/Electric Rooftop Units, R-454B (Nomenclature / Model Number Digits)..... LPG-11
- Foundation™, Package Gas/Electric Rooftop Units 3-5 Tons, R-454B (GDK) ..... LPG-12
- Foundation™, Packaged Gas/Electric 3-5 Ton, R-454B Accessories..... LPG-13
- Foundation™ Package Gas/Electric Rooftop Units 7.5-12.5 Tons, R-454B (GDK) ..... LPG-14
- Foundation™ Packaged Gas/Electric 7.5-12.5 Ton, R-454B Accessories..... LPG-15
- Foundation™, Package Gas/Electric Rooftop Units 15-25 Tons, R-454B (GDK) ..... LPG-16
- Foundation™, Packaged Gas/Electric 15-25 Ton, R-454B Accessories ..... LPG-17

## Accessories/Information

- Precedent™ R-410A, R-454B Roof Curb Compatibility Information..... LAC/IN-1
- Odyssey Footprint Information..... LAC/IN-2

## Comfort Controls/Zone Sensors

- Zone Sensors ..... LCCZO-1
- Air-Fi Wireless Communicating Zone Sensors ..... LCCZO-3
- Thermostats ..... LCCZO-4



It's Hard To Stop A Trane.®

To easily return to the Table of Contents, please click on the Trane logo on any page.

# Contents - Light Commercial: R-410A

## Split System Cooling

- Odyssey with Symbio™ Single Circuit, Three Phase, 6-25 Tons, R-410A (TTA) ..... R-410A-LSC-1
- Odyssey with Symbio™ Dual Circuit, Three Phase, 6-25 Tons, R-410A (TTA).....R-410A-LSC-2
- Three Phase, 6-25 Tons, R-410A Condenser Accessories .....R-410A-LSC-3
- Three Phase, 6-25 Tons, R-410A Control Options.....R-410A-LSC-4

## Split System Heat Pumps

- Odyssey with Symbio™ Three Phase, 6-20 Tons, R-410A (TWA) .....R-410A-LSH-1
- Three Phase, 6-20 Tons, R-410A Accessories.....R-410A-LSH-2
- Three Phase, 6-20 Tons, R-410A Controls.....R-410A-LSH-2

## Air Handlers/Heaters

- Odyssey with Symbio™ Single Phase 5-10 Tons, Three Phase 5-25 Tons (TWE)..... R-410A-LAH-1
- Odyssey with Symbio™ Air Handlers, R-410A Electric Heaters..... R-410A-LAH-3
- Accessories for Single and Three Phase ..... R-410A-LAH-4

## Packaged Cooling

- Precedent™ Convertible, 3-5 Tons, R-410A Features .....R-410A-LPC-1
- Precedent™ Convertible, 3-5 Tons, R-410A (THC, TSC) .....R-410A-LPC-2
- Precedent™ Convertible, 3-5 Tons, R-410A Model Digit Numbers ....R-410A-LPC-3
- Precedent™ with Symbio™ Convertible, 6-25 Tons R-410A Features...R-410A-LPC-5
- Precedent™ with Symbio™ Convertible, 6-25 Tons, R-410A (THJ, TSJ).....R-410A-LPC-6
- Precedent™ with Symbio™ Convertible, 6-25 Tons, R-410A Model Digit Numbers .....R-410A-LPC-8
- Precedent™ with Symbio™ Convertible, 6-25 Tons, R-410A Electric Heaters.....R-410A-LPC-9
- Precedent™ with Symbio™ Convertible, 6-25 Tons, R-410A Accessories .....R-410A-LPC-10
- Foundation™ 3-5 Tons, R-410A (EBC) .....R-410A-LPC-11
- Foundation™ 3-5 Tons, R-410A (Model Digit Numbers).....R-410A-LPC-12
- Foundation™ 3-5 Tons, R-410A Accessories .....R-410A-LPC-13
- Foundation™ 3-5 Tons, R-410A Heaters.....R-410A-LPC-14
- Medium Foundation™ 7.5-12.5 Tons, R-410A (ECC).....R-410A-LPC-15
- Medium Foundation™ 7.5-12.5 Tons, R-410A (Model Digit Numbers) .....R-410A-LPC-16
- Medium Foundation™ 7.5-12.5 Tons, R-410A Accessories .....R-410A-LPC-17
- Medium Foundation™ 7.5-12.5 Tons, R-410A Heaters .....R-410A-LPC-18
- Foundation™ 15-25 Tons, R-410A (ECC) .....R-410A-LPC-19
- Foundation™ 15-25 Tons, R-410A (Model Digit Numbers).....R-410A-LPC-20
- Foundation™ 15-25 Tons, R-410A Accessories .....R-410A-LPC-21
- Foundation™ 15-25 Tons, R-410A Heaters.....R-410A-LPC-22

## Packaged Heating

- Precedent™ Convertible, 3-10 Tons, R-410A Features .....R-410A-LPH-1
- Precedent™ Convertible, 3-10 Tons, R-410A (WHC/DHC).....R-410A-LPH-2
- Precedent™ Convertible, 3-10 Tons, R-410A (WSC) .....R-410A-LPH-4
- Precedent™ Convertible, 3-10 Tons, R-410A Model Digit Numbers ...R-410A-LPH-5
- Precedent™ with Symbio™ Convertible, 12.5-25 Tons, R-410A Features ..... R-410A-LPH-7
- Precedent™ with Symbio™ Convertible, 12.5-25 Tons, R-410A (WHJ, DHJ, WSJ, DSJ)..... R-410A-LPH-8
- Precedent™ with Symbio™ Convertible, 12.5-25 Tons, R-410A Model Digit Numbers .....R-410A-LPH-10
- Precedent™ with Symbio™ Convertible, 12.5-25 Tons, R-410A Accessories .....R-410A-LPH-11



It's Hard To Stop A Trane.®

To easily return to the Table of Contents, please click on the Trane logo on any page.

# Contents - Light Commercial: R-410A

## Packaged Gas/Electric

- Precedent™ Convertible, 3-5 Tons, R-410A Features ..... R-410A-LPG-1
- Precedent™ Convertible, 3-5 Tons, 17 SEER, R-410A (YHC)..... R-410A-LPG-2
- Precedent™ Convertible, 3-5 Tons, 15 SEER, R-410A (YHC)..... R-410A-LPG-3
- Precedent™ Convertible, 3-5 Tons, 14 SEER, R-410A (YSC-G)..... R-410A-LPG-4
- Precedent™ Convertible, 3-5 Tons, R-410A Model Digit Numbers ..... R-410A-LPG-5
- Precedent™ with Symbio™ Convertible, 6-25 Tons, R-410A Features ..... R-410A-LPG-7
- Precedent™ with Symbio™ Convertible, 6-25 Tons, R-410A High Efficiency (YHJ)..... R-410A-LPG-8
- Precedent™ with Symbio™ Convertible, 6-25 Tons, R-410A Standard Efficiency (YSJ) ..... R-410A-LPG-10
- Precedent™ with Symbio™ Convertible, 6-25 Tons, R-410A Model Digit Numbers ..... R-410A-LPG-12
- Precedent™ with Symbio™ Convertible, 6-25 Tons, R-410A Accessories ..... R-410A-LPG-13
- Foundation™, 3-5 Tons, R-410A (GBC)..... R-410A-LPG-14
- Foundation™, 3-5 Tons, R-410A (Model Digit Numbers)..... R-410A-LPG-15
- Foundation™, 3-5 Tons, R-410A Accessories ..... R-410A-LPG-16
- Medium Foundation™ 7.5-12.5 Tons, R-410A (GCC) ..... R-410A-LPG-17
- Medium Foundation™ 7.5-12.5 Tons, R-410A (Model Digit Numbers) ..... R-410A-LPG-18
- Medium Foundation™ 7.5-12.5 Tons, R-410A Accessories ..... R-410A-LPG-19
- Foundation™, 15-25 Tons, R-410A (GCC)..... R-410A-LPG-20
- Foundation™, 15-25 Tons, R-410A (Model Digit Numbers)..... R-410A-LPG-21
- Foundation™, 15-25 Tons, R-410A Accessories ..... R-410A-LPG-22

# Trane® Partner Portal:

Experience a New Way of Doing Business with Us



## Unleash growth, save time, stay informed...and so much more!

The Trane Partner Portal is a robust, multifaceted tool designed to save you time and streamline your business. The portal expands beyond the familiar functions of Trane ComfortSite and offers a more efficient, user-friendly experience with enhanced features and tools. It's the ultimate solution to better support your business needs and elevate your partnership with Trane.



## HERE'S WHAT YOU CAN EXPECT:

- » Enhanced global search and easy navigation to find what you need quickly
- » Detailed product information and warranty resources
- » On-the-go mobile and tablet access
- » Simplified user permissions for easier management
- » Instant homepage access to promotions, new product announcements, & important news
- » Marketing resources, learning courses, helpful support... and so much more



Scan to Access the Partner Portal  
(<https://partners.trane.com/>)

- 1 Go to <https://partners.trane.com/> and log in with the same username and password as your ComfortSite account.
- 2 If you don't remember your login credentials, click "Forgot Password".
- 3 If you need help and support, visit the Portal Support page for resources, demos and tutorials. Or email our Digital Tools Support team at [ptservice@tranetechnologies.com](mailto:ptservice@tranetechnologies.com), or call 800-430-5284, Mon.-Fri., 7:30am-4:30pm CST.



## STAY TUNED!

We will continue introducing new features designed to make your interactions with our portal even more efficient and user friendly! Please note that ComfortSite will remain accessible for a limited time before its eventual retirement. We will keep you updated on the timeline and phase-out process.

# Installation Technician Program



## OVERVIEW

Led by Trane technical experts, the Installation Technician Program offers a one-of-a-kind opportunity for technicians to enhance their skills and maximize the quality of each installation.

This program is designed for installation technicians who are relatively new to the HVAC industry with 2 years' experience or less. More experienced technicians may gain some knowledge through this program to enhance their mentorship skills.

## CHOOSE YOUR PATH

We offer two ways to complete this program. Decide which learning path works best for you and your technicians.

### PATH 1: SCHEDULED

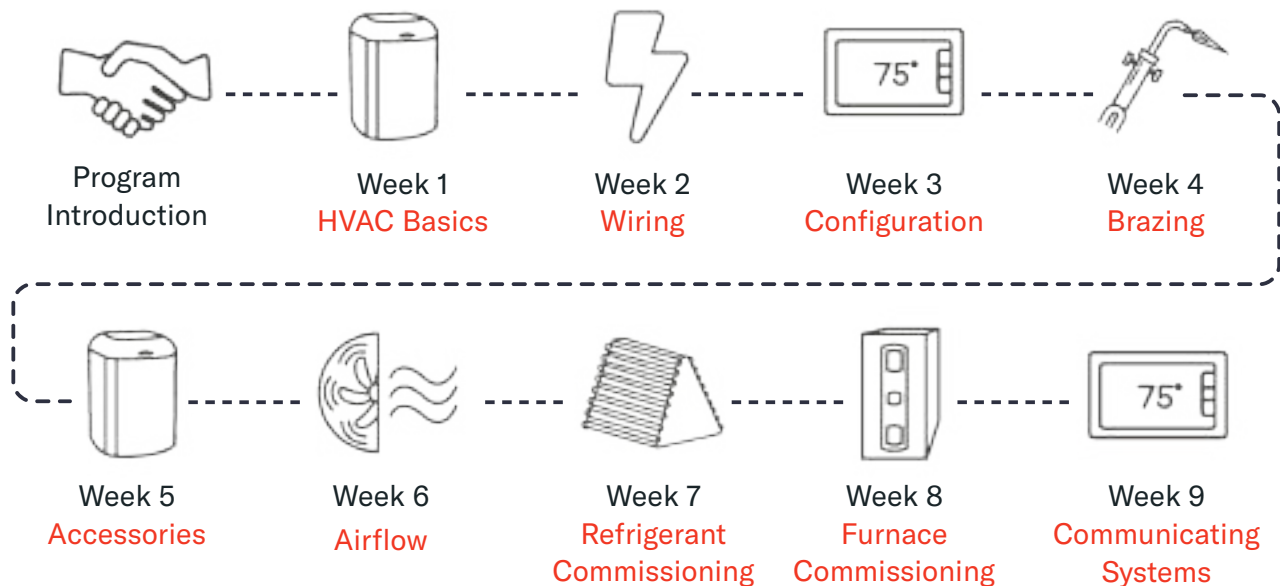
Access online content along with a live virtual webinar! This path is intended for you to progress with the live virtual schedule. This is the best way to get involved, and get your questions answered in class by a training expert.

### PATH 2: SELF-PACED

This path contains the online content with previously recorded webinars. This path is intended for you to complete at your own pace by accessing content on-demand.



## Topics Covered



## Time Commitment

2 HOURS PER WEEK X 10 WEEKS

Each technician must dedicate 2 hours per week for 10 weeks. This includes 1 hour for online activities and 1 hour for virtual classes.

Scan to view the virtual schedule.



<https://qrco.de/techskd>

Scan to learn more about this program and enroll.



<https://qrco.de/beTEQP>

If you have questions or need help with logging in to the learning management system (LMS), email Learning Resources at [learningresources@tranetechnologies.com](mailto:learningresources@tranetechnologies.com).

[FieldTechHelp.com](https://www.tranetechnologies.com/FieldTechHelp.com)

CHOICE	PRIORITY	PREMIER
The best choice for quality products with modern capabilities and optionality.	Prioritizing whole-home comfort through advanced features working together to create enhanced comfort.	Using the latest, most advanced technology to push the boundaries in delivering truly controlled, truly premier comfort.
GOOD	BETTER	BEST

HEAT PUMP	TIER	MODEL FAMILY NUMBER	PRODUCT NAME	
	PREMIER		5TWV0	20 TruComfort™ Variable Speed Heat Pump with WeatherGuard™
			5HCL9	19 Multi-Speed Low Profile Cold Climate Heat Pump
			5HPL9	19 Multi-Speed Low Profile Heat Pump
			5TWV8	18 TruComfort™ Variable Speed Heat Pump
	PRIORITY		5TWX7	17 Multi-Speed Heat Pump with WeatherGuard™
			5TWR7	17 Multi-Speed Heat Pump
			5HCL6	17 Multi-Speed Low Profile Cold Climate Heat Pump
			5HPL6	17 Multi-Speed Low Profile Heat Pump
	CHOICE		5HCL5	16 Multi-Speed Low Profile Cold Climate Heat Pump
			5HPL5	16 Multi-Speed Low Profile Heat Pump
			5TWX5	15 Single-Stage Heat Pump with WeatherGuard™
			5TWR5	15 Single-Stage Heat Pump
			5TWA4 / 5TWR4	14 Single-Stage Heat Pump

AIR CONDITIONER	TIER	MODEL FAMILY NUMBER	PRODUCT NAME	
	PREMIER		5TTV0	20 TruComfort™ Variable Speed Air Conditioner with WeatherGuard™
			5TTV8	18 TruComfort™ Variable Speed Air Conditioner
	PRIORITY		5TTX7	17 Multi-Speed Air Conditioner with WeatherGuard™
			5TTR7	17 Multi-Speed Air Conditioner
	CHOICE		5TTX5	15 Single-Stage Air Conditioner with WeatherGuard™
			5TTR5	15 Single-Stage Air Conditioner
			5TTA4 / 5TTR4	14 Single-Stage Air Conditioner
		5TTA3 / 5TTR3	13 Single-Stage Air Conditioner	

AIR HANDLER	TIER	MODEL FAMILY NUMBER	PRODUCT NAME	
	PREMIER		5TAMX	Hyperion™ Variable Speed Air Handler
			5TEMC	TruComfort™ Variable Speed Air Handler
	PRIORITY		5TAM5	Hyperion™ Air Handler
			POVO	120V Modular Variable Speed Air Handler
			5TEM6	Variable Speed Air Handler
	CHOICE		5TEM4	Air Handler
		5TMM5	Compact Plus Air Handler	

GAS/ELECTRIC PACKAGED		
TIER	MODEL FAMILY NUMBER	PRODUCT NAME
PRIORITY	5YCZ5	15 Two-Stage Gas Furnace/Air Conditioner Packaged
	5YCZ5	15 3-Phase Two-Stage Gas Furnace/Air Conditioner Packaged
CHOICE	5YCC4	14 Single-Stage Gas Furnace/Air Conditioner Packaged
	5YCC4	14 3-Phase Single-Stage Gas Furnace/Air Conditioner Packaged
HEAT PUMP		
TIER	MODEL FAMILY NUMBER	PRODUCT NAME
PRIORITY	5WCZ5	15 Two-Stage Heat Pump Packaged
	5WCZ5	15 3-Phase Two-Stage Heat Pump Packaged
CHOICE	5WCC4	14 Single-Stage Heat Pump Packaged
	5WCC4	14 3-Phase Single-Stage Heat Pump Packaged
EARTHWISE™ HYBRID DUAL FUEL		
TIER	MODEL FAMILY NUMBER	PRODUCT NAME
PRIORITY	5DCZ5	15 Two-Stage EarthWise™ Hybrid Gas Furnace/Heat Pump Packaged
AIR CONDITIONER		
TIER	MODEL FAMILY NUMBER	PRODUCT NAME
CHOICE	5TCC4	14 Single-Stage Air Conditioner Packaged

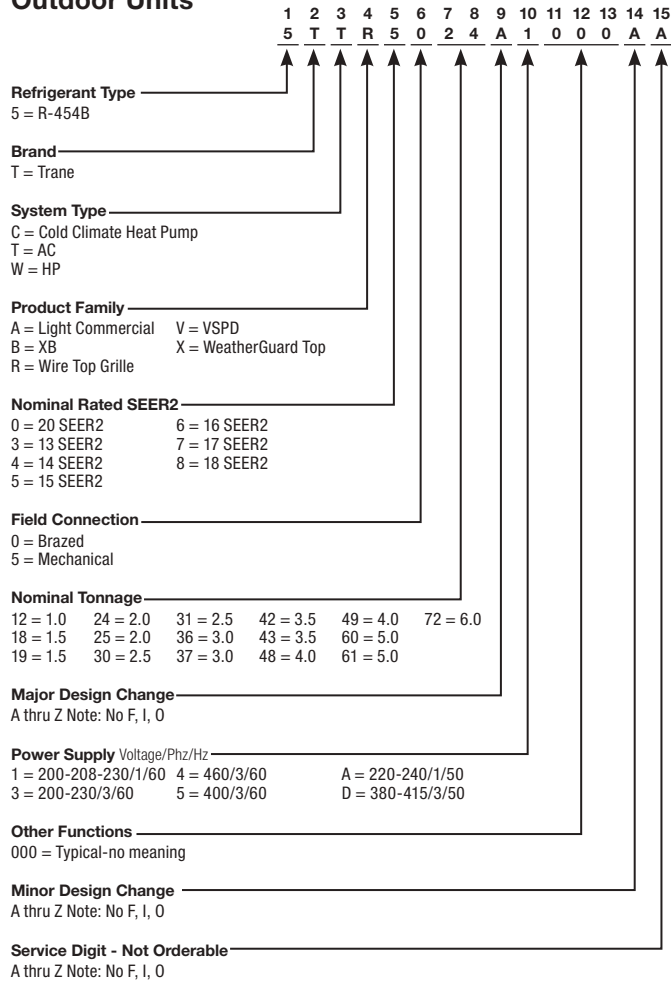
TIER	MODEL FAMILY NUMBER	PRODUCT NAME
PREMIER	XC95m	96 Modulating Variable Speed Gas Furnace
	S9V2-VS	97 Two-Stage Variable Speed Gas Furnace
	S9V2	96 Two-Stage Variable Speed Gas Furnace
	S8V2-C	80 Two-Stage Variable Speed Gas Furnace
PRIORITY	S9X2	96 Two-Stage Gas Furnace
	S8X2	80 Two-Stage Gas Furnace
	L8V1	80 Single-Stage Variable Speed Ultra-Low NOx Gas Furnace
CHOICE	S9X1	96 Single-Stage Gas Furnace
	L9X1	95 Single-Stage Ultra-Low NOx Gas Furnace
	S9B1	92 Single-Stage Builder-Grade Gas Furnace
	S8X1	80 Single-Stage Gas Furnace
	S8B1	80 Single-Stage Builder-Grade Gas Furnace



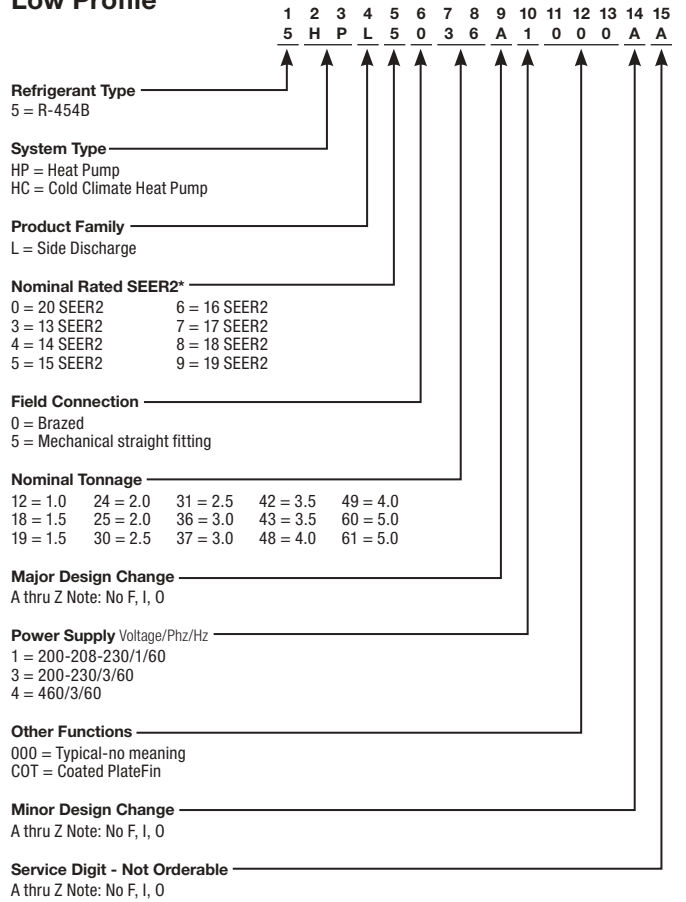
It's Hard To Stop A Trane.®

# Model Nomenclature Residential - Outdoor

## Outdoor Units



## Low Profile



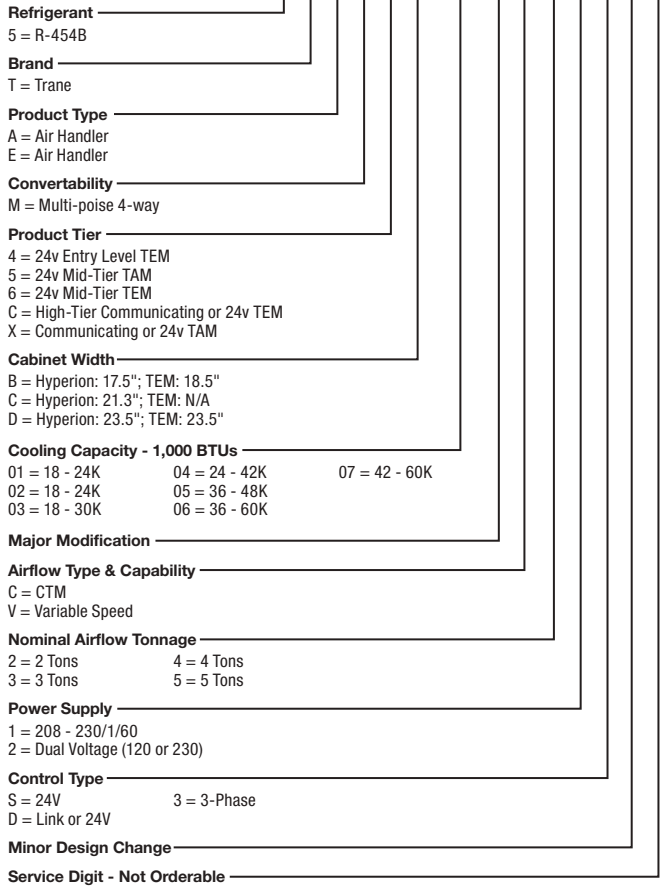
\* For Low Profile units Nominal SEER2 Range varies with tonnage



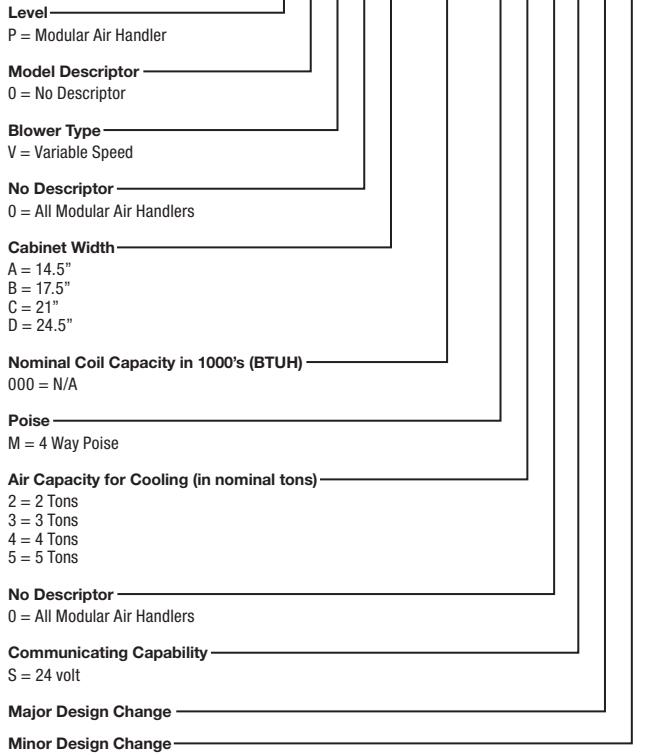
It's Hard To Stop A Trane.®

# Model Nomenclature Residential - Air Handlers

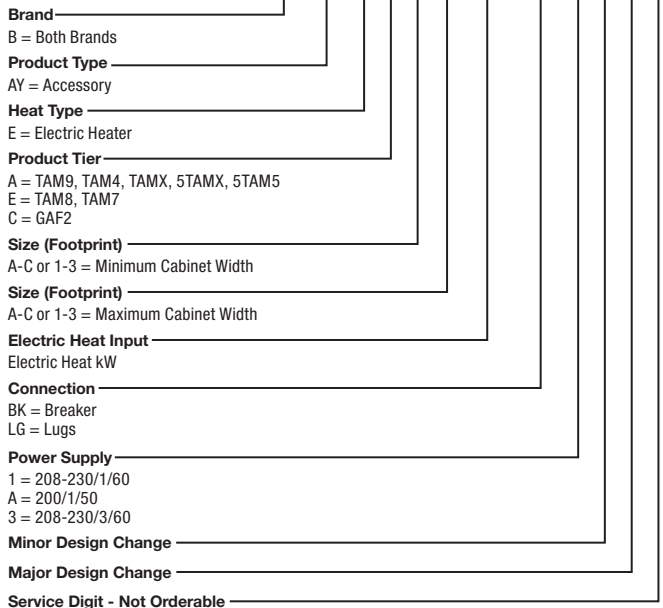
## R-454B Air Handler



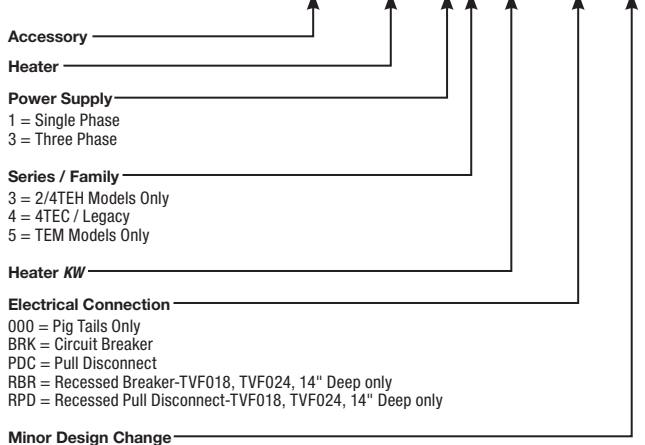
## 120V Modular Air Handler



## Hyperion Air Handler Electric Heaters



## Air Handler Electric Heaters



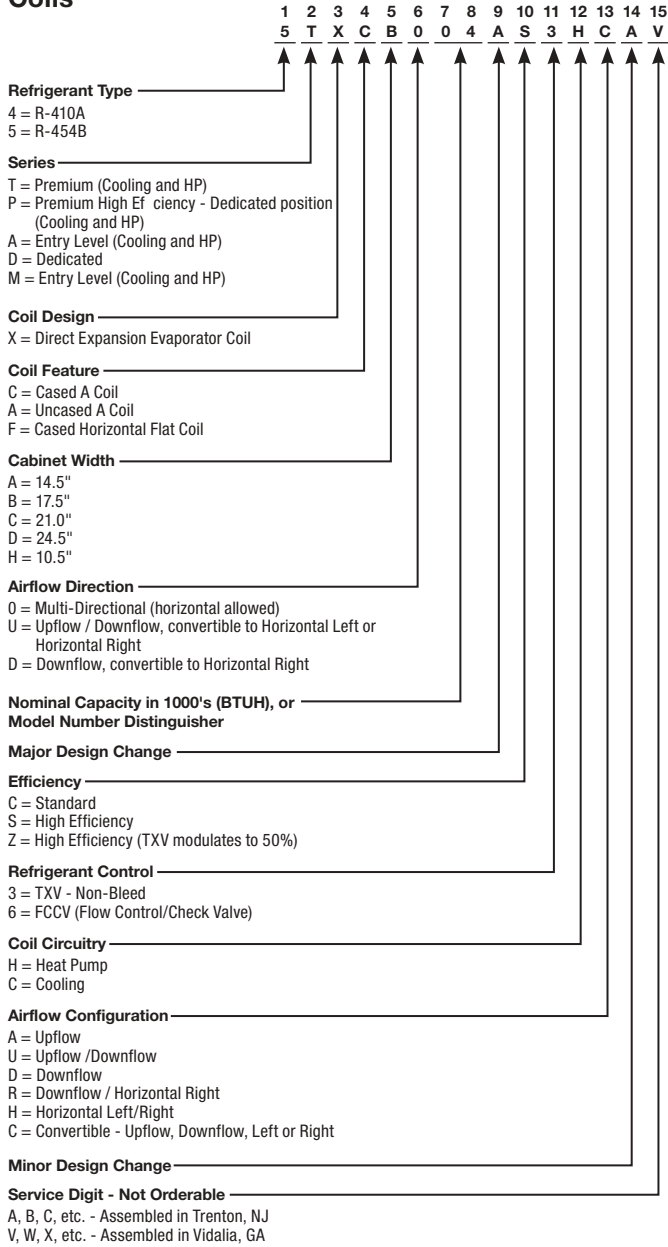
For complete equipment / combination selections, installation instructions and warranty information, please refer to Product Data/Ratings and/or Installers Guides and Limited Warranty Handbooks.



It's Hard To Stop A Trane.®

# Model Nomenclature Residential - Coils

## Coils

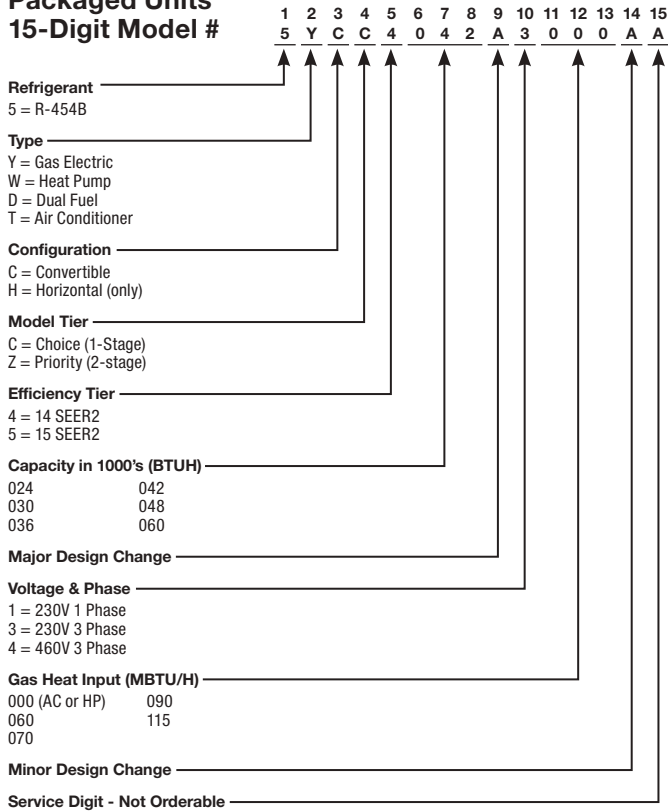




It's Hard To Stop A Trane.®

# Model Nomenclature Residential - Packaged Units

## Packaged Units 15-Digit Model #

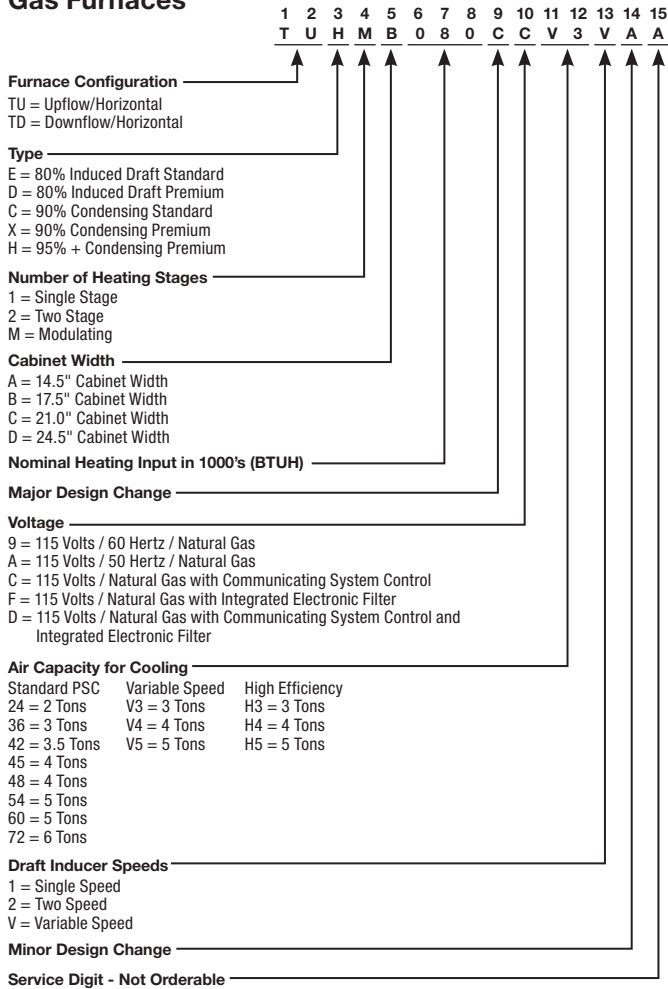




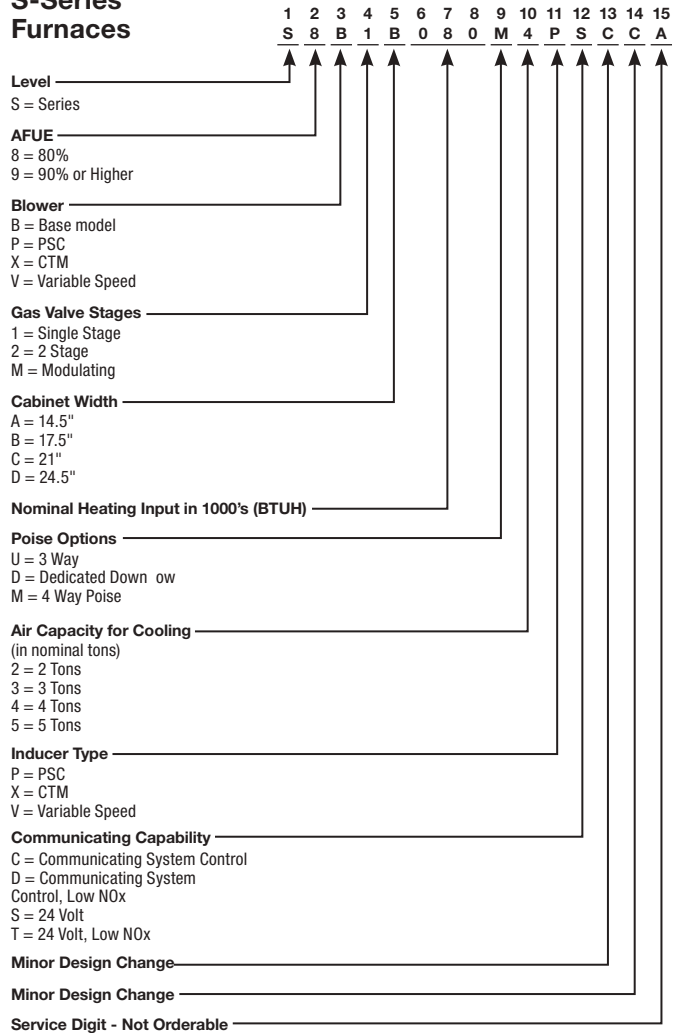
It's Hard To Stop A Trane.®

# Model Nomenclature Residential - Furnaces

## Gas Furnaces



## S-Series Furnaces

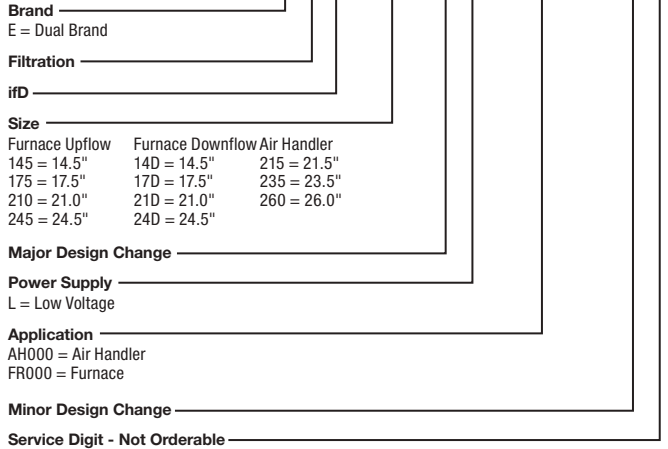




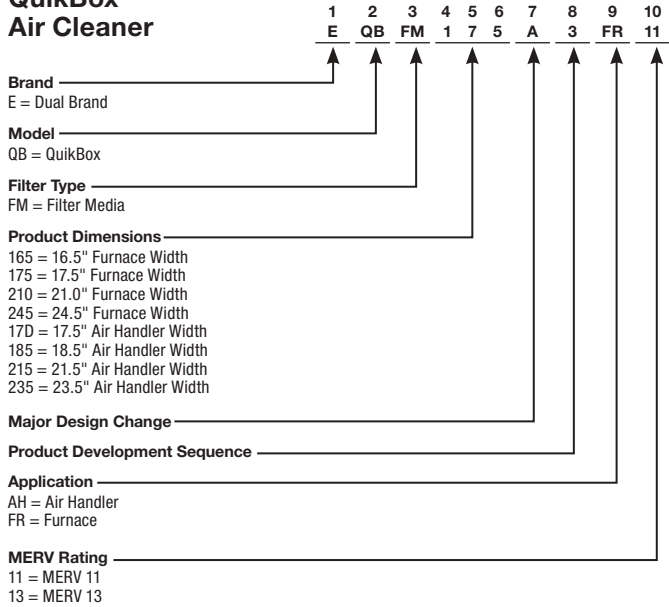
It's Hard To Stop A Trane.®

# Model Nomenclature Residential - IAQ

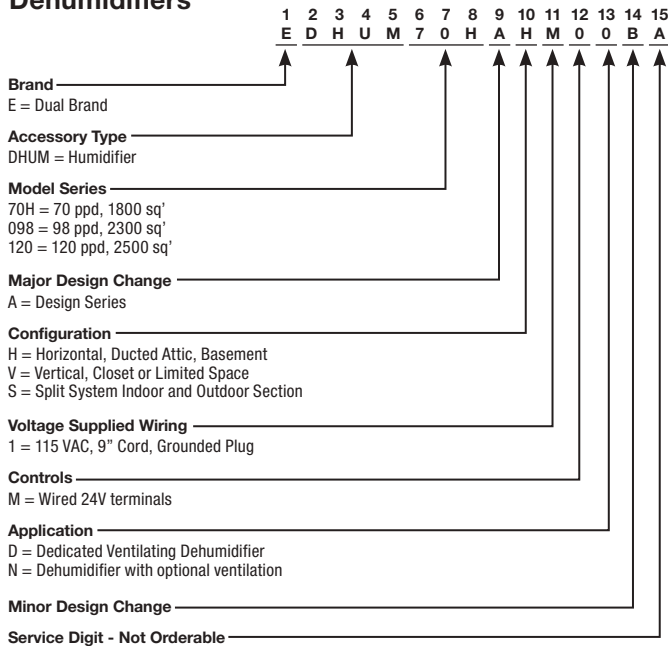
## Trane CleanEffects™ Whole House Air Cleaner



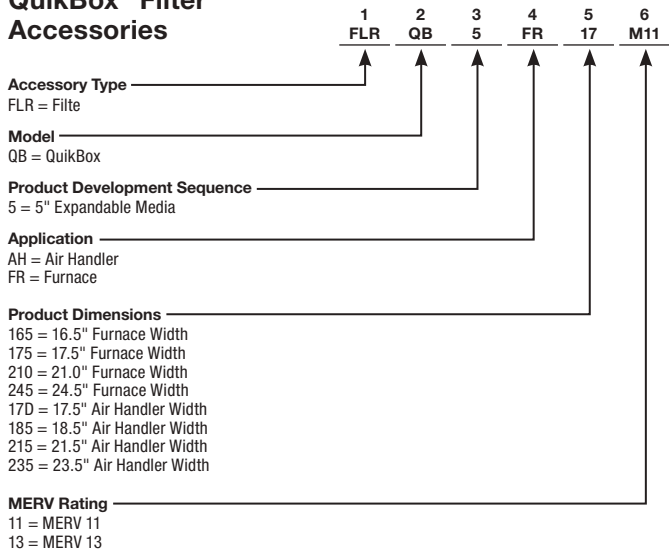
## QuikBox™ Air Cleaner



## Dehumidifiers



## QuikBox™ Filter Accessories

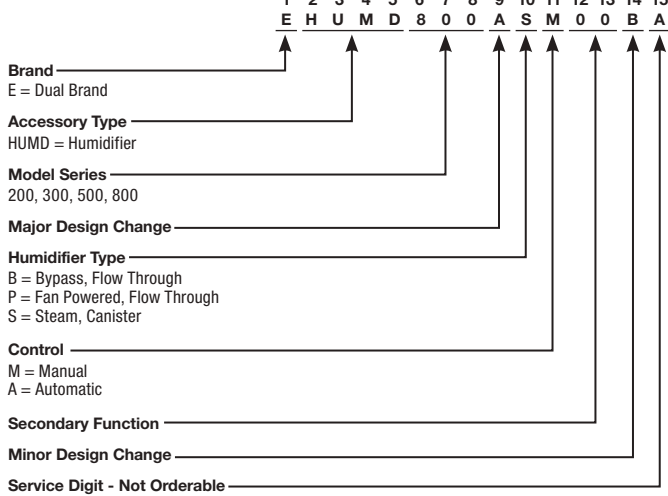




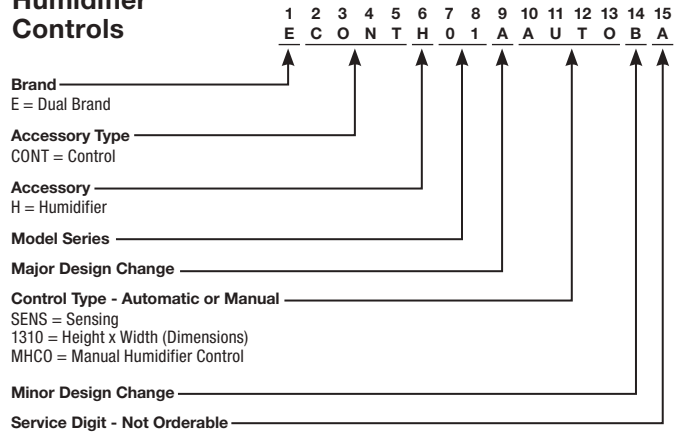
It's Hard To Stop A Trane.®

# Model Nomenclature Residential - IAQ

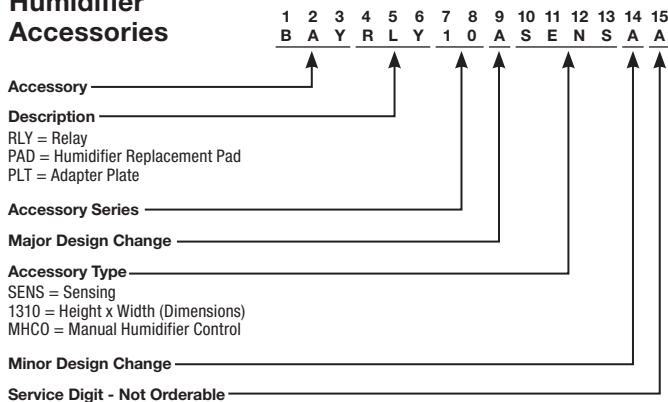
## Humidifiers



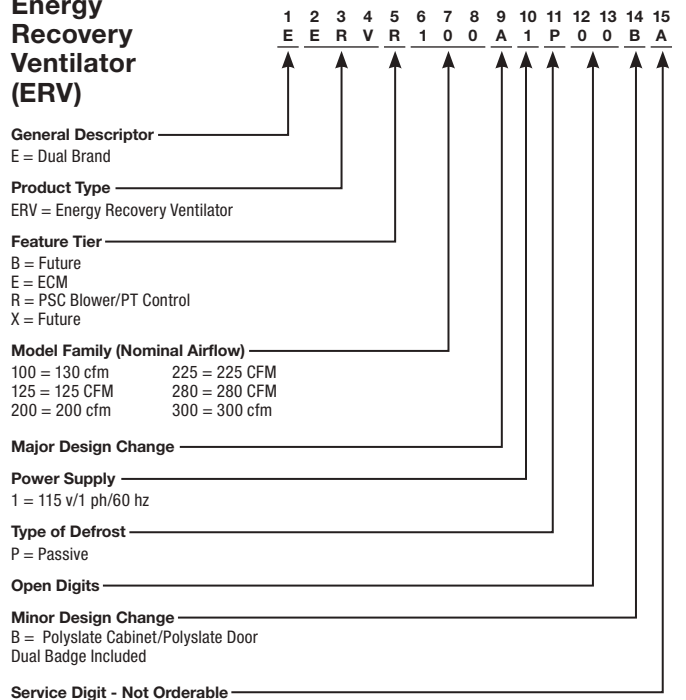
## Humidifier Controls



## Humidifier Accessories



## Energy Recovery Ventilator (ERV)





It's Hard To Stop A Trane.®

# Model Nomenclature Residential - Controls / Zoning

## Controls

1 2 3 4 5 6 7 8 9 10 11 12 13 14 15  
T L I N K 3 6 0 A H M 0 0 B A

- Brand**
  - T = Trane
  - Z = Unbranded
- Accessory Type**
  - CONT = Control (thermostat)
  - ZONE = Control (zoning)
  - LINK = Control (CAN thermostat kit)
- Model Series**
- Major Design Change**
- Control Platform**
  - M = Mechanical
  - N = Non-programmable Electronic (Digital Display)
  - F = Five/Two Programmable Electronic (Digital Display)
  - S = Seven Day Programmable Electronic (Digital Display)
  - C = Communicating
  - W = Wireless
- Heating Stages**
- Cooling Stages**
- Equipment Application**
  - A = AC / Heat (Gas or Electric)
  - G = AC / Heat (Gas)
  - E = AC / Heat (Electric)
  - H = Heat Pump
  - M = Multi-Application - AC / Heat (Gas/Elec) / Heat Pump
  - D = Dual Fuel, Heat Pump, or AC and Heat (Gas/Elec)
  - C = Communicating
  - Z = Zoning - Universal application - 3 wire Communicating zone control of AC or Heat (Gas/Elec) and Dual Fuel Heat Pump
  - U = Universal Application - Communicating Control of AC/Heat (Gas/Elec) / Dual Fuel Heat Pump
- Minor Design Change**
- Service Digit**

## Accessories

1 2 3 4 5 6 7 8 9 10 11 12  
\*B A Y E C O N 0 0 1 A 0

- Denotes: Accessories**
- Accessories Type** (Example: BAYCURB, TAYSTAT)
- |   |                                     |
|---|-------------------------------------|
| ASCT = Anti-Cycle Timer   | LOAM = Low Ambient Controls         |
| BARM = Barometric Relief  | LPKT = L.P. Kit                     |
| BASE = Subbase  | LSDR = Low Static Drive             |
| BRZQ = Coupling Kit Adaptors  | NXKT = NOx Rod Accessory Kit        |
| CCHT = Crankcase Heater   | PANL = Panel                        |
| CLE = Coil Enclosures   | PLNM = Plenum                       |
| CURB = Roof Curb  | PLUS = Add-on Heat Pump             |
| DMPR = Damper   | REFLN = Refrigerant Lines           |
| DNFLW = Downflow Conversion Kit                                       | RLAY = Relay                        |
| ECMT = Extreme Mounting Kit   | SEAC = Sea Coast Kit                |
| ECON = Economizer   | SENS = Sensor                       |
| ENTH = Enthalpy Control   | SPEK = Single Power Entry Kit       |
| FLTR = Filter   | STAT = Thermostat                   |
| GARD = Coil Guard   | TBKT = Thru Base Utility Kit        |
| GRLE = Return Air Grill   | TEST = Test Accessory               |
| HALT = High Altitude Kit  | TFMR = Transformer                  |
| HGBP = Hot Gas Bypass Control   | TWIN = Twinning Kits                |
| HSMT = High Static Motor  | TXVA = Cooling-Bleed/Non Bleed Kits |
| HTRA = Electric Heater  | TXVH = Heat Pump Non Bleed Kits     |
| (Digit 7 is used to differentiate the products accessories used with) | UTIL = Curb Ext. Kit                |
| ISLT = Isolator   | VENT = Termination Kit              |
| KSKT = Start Accessory Kit  | WAR = Warranty                      |
| LEGS = Snow Legs  | WATR = Hydronic Heat Coils          |
| LEGSCAP = Leveling Caps   | WRKT = Wire Kit                     |
| LIFT = Lifting Lug Kit  | 2STG = 2 Stage Gas                  |
- Major Design Change**  
Numbers are sequentially assigned except for Electric Heaters. On Electric Heaters Digit 8 is used to identify voltage and Digit 9 and 10 are used to identify capacity in KW's
- Minor Design Change**  
Accessory To Unit Match-up (when required)
- Service Digit - Not Orderable**

\*B or T or No Digit.

## Zone Dampers

1 2 3 4 5 6 7 8 9 10 11 12 13 14 15  
Z D A M P R D M A 0 0 1 2 B A

- Brand**
  - Z = Zoning
- Damper**
- Model Series**
  - RD = Round
  - RR = Retro-Fit Round
  - SM = Side Mount Rectangular
  - BM = Bottom Mount Rectangular
- Modulating Damper** (24 Volt, 60 Sec. Timing)
- Major Design Change**
- Dimensions**
  - 0012 = 12" Round
  - 1014 = 10" X 14" Rectangular (motor mounted on 2nd dimension)
- Minor Design Change**
- Service Digit - Not Orderable**



It's Hard To Stop A Trane.®

COMING SOON



Trane Priority Smart Thermostat



XL 824  
TCONT824AS52DC



## Conventional 24 Volt Smart Thermostat

### TCONT24P1S52DA

- WiFi connectivity
- Easy commissioning with Technician App
- Control from a smartphone, tablet, or computer with Trane Home
- 7-Day programmable with up to 6 schedules per day
- Weather
- Indoor relative humidity display
- Enhanced Dehumidification (BK)
- Push terminals
- 1 Auxiliary dry contacts controls 1 of the following: Whole house humidifier, dehumidifier, or ventilation system
- Test modes and alert diagnostics
- Screen access restrictions
- Trane Diagnostics
- Over-the-air software upgrades
- Color: Black
- Warranty: 3yr base/5yr

### Application:

- Conventional gas/electric, heat pump, and dual fuel systems
- Conventional boiler systems (forced air and radiant)
- Conventional HVAC systems: 2 Heat / 2 Cool
- Heat Pump systems: Up to 5 stages heat / 2 stages cool (2 compressor heat - 3 auxiliary heat - 2 cooling)
- Heat Pump switchover valve: selectable "with cool or with heat"
- Remote wireless indoor temperature and humidity sensor BAYSENSEAW00UAA (optional)

### Dimensions:

- Product: 5.74"w x 3.43"h x 0.812"d
- Display: 4.3" Diagonal

### TCONT824AS52DC

- Built-in Z-Wave Bridge ①
- WiFi or Ethernet connection
- Control from a smartphone, tablet, or computer ②
- 4.3" color touchscreen
- 7 Day programmable with up to four schedules per day
- Five day weather forecast, weather radar, and weather alerts ③
- Indoor relative humidity display
- Enhanced dehumidification (cooling)
- 2 Auxiliary dry contacts control 2 of the following: Whole house humidifier, dehumidifier, or ventilation system
- Integrated Dehumidification Solution (IDS)
- Boiler Support
- Test modes and alert diagnostics
- Screen access restrictions
- Trane Diagnostics ④
- Over-the-air software upgrade ⑤
- Local software upgrade option
- Silver/Gray color
- Limited Warranty: 5 yr. base/10 yr.

### Application:

- Conventional gas/electric, heat pump, and dual fuel systems
- Conventional boiler systems (forced air only)
- Conventional HVAC systems: 2 Heat / 2 cool
- Heat Pump systems: Up to 5 stages heat / 2 stages cool (2 compressor heat - 3 auxiliary heat / 2 cooling)
- Heat Pump switchover valve: selectable "with cool or with heat"
- Remote wired indoor temperature sensor (optional) ZZSENSAL0400AA
- Remote wireless indoor temperature and humidity sensor (optional): ZSENS930AW00MA
- Remote wired outdoor temperature sensor (optional) BAYSEN01ATEMPA
- PWM Circuit (BK terminal): controls indoor unit variable speed blower
- Wall cover plate BAYCOVR800A

### Dimensions:

- Product: 5.43"w x 3.39"h x 1.30"d
- Display: 4.15"w x 2.65"h

① Requires internet service and Trane® Home smart home system registration.  
 ② Trane® Home remote climate access is included with the purchase for up to 8 Connected Controls per home. Adding accessories or additional controls to your Trane® Home system may require a monthly subscription.

Energy Star Information, please refer to: <https://www.ahridirectory.org/>



It's Hard To Stop A Trane.®



XL 724  
TCONT724AS42DA



## Conventional 24 Volt Smart Thermostat

### TCONT724AS42DA

- Mobile app compatible (Download Trane Home) ①②
- WiFi connectivity
- Control from a smartphone, tablet, or computer ①②
- Trane Diagnostics ①
- 4.3" diagonal black and white touchscreen
- 7 Day programmable with up to 4 schedules per day
- Humidity sensor and RH display
- Remote temperature sensor connections (1 indoor/1 outdoor)
- Auxiliary & compressor heat lockouts
- Auxiliary dry contact
- Enhanced dehumidification (cooling)
- PWM Circuit (BK terminal): control indoor unit variable speed blowers
- Boiler Support
- Energy Savings Mode (ESM)
- Screen lock and guest lock
- Service test modes
- Upgradable software
- Color: Designer Silver
- Limited Warranty: 1 yr. base/5 yr.

### Application:

- Up to 4 Stages Heat/2 Stages Cool
- Conventional gas/electric, heat pump, and dual fuel systems
- Conventional boiler systems (baseboard & radiators)
- Remote wired indoor temperature sensor (optional): ZZSENSAL0400AA
- Remote wired outdoor temperature sensor (optional): BAYSEN01ATEMPA
- Wall cover plate BAYCOVR800A
- Z-Wave Bridge is required to control Z-Wave devices ①②

### Dimensions:

- Product: 5.9"w x 3.47"h x .95"d
- Display: 3.8"w x 2.3"h

① Requires internet service and Trane® Home smart home system registration.

② Trane® Home remote climate access is included with the purchase for up to 8 Connected Controls per home. Adding accessories or additional controls to your Trane® Home system may require a monthly subscription.



# ComfortLink™ II Communicating Smart Thermostat



XL 850  
TCONT850AC52UC



## TCONT850AC52UC

- Mobile app compatible with built-in Z-Wave bridge (download Trane Home mobile app)
- WiFi or Ethernet connection
- Control from a smartphone, tablet, or computer ①②
- Trane Diagnostics ①
- 4.3" diagonal color touchscreen
- Compatible with **ComfortLink™ II** communicating systems (variable speed and two stage)
- Compatible with conventional 24 volt HVAC, heating, heat pump, and dual fuel systems when used with accessory relay panel model BAY24VRPAC52DC
- 7 Day programmable with up to four schedules per day
- Five day weather forecast, weather radar, and weather alerts ①
- Indoor relative humidity display
- Integrated Dehumidification Solution (IDS)
- Boiler Support
- Test modes and alert diagnostics
- Trane® Home Diagnostics ①
- Over-the-air software upgrades ①
- Local software upgrade option
- Silver/Gray color

- Wall cover plate BAYCOVR800A
- Limited Warranty: 5 yr. base/10 yr.

### Application:

- **ComfortLink™ II** communicating systems (variable speed and two stage)
- Variable speed outdoor cooling combined with S-Series non-communicating variable speed furnace and "C" model Relay Panel
- Conventional gas/electric, heat pump, dual fuel systems, or boiler systems (forced air only) with use of relay panel model BAY24VRPAC52DB. Relay panel controls up to 5 stages heat, 2 stages cool, remote indoor and outdoor connections, humidifier, dehumidifier, and ventilation system.
- Remote wired indoor temperature sensor (optional) ZZSENSAL0400AA
- Remote wireless indoor temperature and humidity sensor (optional): ZSENS930AW00MA
- Remote wired outdoor temperature sensor (optional) BAYSEN01ATEMPA

### Dimensions:

- Product: 5.43"w x 3.39"h x 1.30"d
- Display: 4.15"w x 2.65"h

- ① Requires internet service and connection to Trane® Home Smart Home System.
- ② Trane® Home remote climate access is included with the purchase of up to 8 Connected Controls per home. Adding accessories to your Trane® Home system may require a monthly subscription for remote access via most web-enabled smartphones, tablets and computers.



It's Hard To Stop A Trane.®

# Trane® Home Compatible Products

## Remote Temperature Sensor



Remote Wireless Indoor Sensor

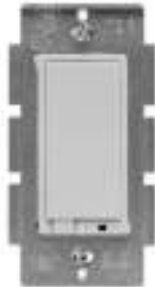
### ZSENS930AW00MA

- Indoor Wireless Temperature and Humidity Sensor for use with TCONT824, TCONT850, TZON1050, TLINK360
- Operating Ambient Temperature Range: 32° to 104°F (0° to 40°C)
- Power Supply: Two AAA alkaline batteries
- Sensor Accuracy: +/-1°F over the sensing range of 32°F to 120°F (0° to 48.9°C)
- Operating Relative Humidity: 10% to 90% non-condensing
- Enables RoomIQ™ access in Trane Home mobile app

### Dimensions in in. (mm):

- 2.0" (51)w x 3.25" (83)h x .6 (15)d
- Storage Temperature: -40° to 140°F (-40° to 65°C)
- Finish: White

## Switches



Jasco In-Wall Dimmer Switch

### Dimmer Switch

SKU: 030878143219

SKU: 043180457127 (Phasing out)

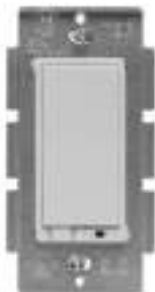
- Turn light on/off or dim any incandescent lighting remotely from Trane® Home app ①
- Interchangeable paddles; white and light almond included in package (wall plate not included)
- Easy to install; includes space-saving screw terminals
- Automate with Trane® Home based on time of day
- Trigger actions from other smart products
- LED indicator glows in dark

### Application:

- Protocol: Z-Wave Plus
- Power: 120 VAC, 60Hz
- Max Load: 1000W, 2-gang 800W and 3-gang 600W
- Operating Temperature: 0°C-40°C
- Indoor Use Only
- Specifications subject to change without notice

### Warranty

- 1-Year Limited Warranty



Jasco In-Wall On/Off Switch

### On/Off Switch

SKU: 030878143189

- Turn any light on/off remotely from Trane® Home app ①
- Interchangeable paddles; white and light almond included in package (wall plate not included)
- Easy to install; includes space-saving screw terminals
- Automate with Trane® Home based on time of day
- Trigger actions from other smart products
- LED indicator glows in dark

### Application:

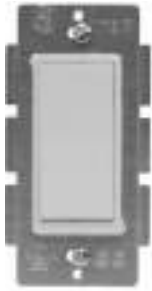
- Protocol: Z-Wave Plus
- Power: 120 VAC, 60Hz
- Max Load: 960W Incandescent, 1/2 HP Motor, 1800W (15A) Resistive
- Operating Temperature: 0°C-40°C
- Indoor Use Only
- Specifications subject to change without notice

### Warranty

- 1-Year Limited Warranty

① Requires internet service and Trane® Home smart home system registration.

## Trane® Home Compatible Products



Jasco In-Wall 3-Way Add-on Switch

**3-Way Add-on Switch**  
**SKU: 030878465601**

- The Jasco Add-On Switch mirrors the functionality of the Jasco switch with which it is paired. Unlike traditional lighting controls, all paired switches perform the same functions. ①
- Compatible with all In-Wall GE and Jasco Switches, Dimmers and Fan Controls
- Required for use with 3- and 4-way wiring
- Interchangeable paddles; white and light almond included in package (wall plate not included)
- Easy to install; includes space-saving screw terminals

**Application:**

- Power: 120 VAC, 60Hz
- Operating Temperature: 0°C-40°C
- Indoor Use Only
- Specifications subject to change without notice

**Warranty**

- 1-Year Limited Warranty



Jasco In-Wall Fan Control Switch

**In-Wall Fan Control Switch**  
**SKU: 030878143141**  
**SKU: 030878127301 (Phasing out)**

- Turn fan on/off and control up to three speed levels remotely from Trane® Home app
- Interchangeable paddles; white and light almond included in package (wall plate not included)
- Easy to install; includes space-saving screw terminals and neutral jumper wires
- Automate with Trane® Home based on temperature (with Z-Wave temperature sensor) or time of day
- Trigger actions from other smart products
- LED indicator glows in dark

**Application:**

- Protocol: Z-Wave
- Power: 120 VAC, 60Hz
- Max Load: 1.5A no more than two identical fans per switch not to exceed 1.5A resistive load - Controls Fan Motor Only - for use with split capacitor or shaded pole ceiling fan motors
- Operating Temperature: 0°C-40°C
- Indoor Use Only
- Specifications subject to change without notice



Jasco In-Wall Smart Motion Switch

**In-Wall Smart Motion Switch**  
**SKU: 030878247702**

- Indoor in-wall Z-Wave light switch with integrated motion sensor
- Wirelessly trigger scenes/automations and send alerts to smartphone or tablet when motion detection has turned lights on or off.
- Can be used in 3-way and 4-way applications
- Multiple Operation Modes:
  - Occupancy - auto ON/auto OFF
  - Vacancy - manual ON/auto OFF
  - Manual - manual ON/OFF
- 3 Sensitivity Levels - low, medium, high
- Requires in-wall installation with hard-wired connections - Neutral wire REQUIRED.
- Includes white and light almond paddles (wall plate not included)

**Application:**

- Protocol: Z-Wave
- Manufacturer: JASCO
- Max load: 960W incandescent, ½ HP motor, 1800W, 120VAC
- Operating Temperature: 32-104°F

**Unit Dimensions:**

- 1.5"w x 1.5"d x 3.0"h

**Warranty**

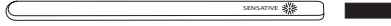
- 1-Year Limited Warranty



It's Hard To Stop A Trane.®

# Trane® Home Compatible Products

## Security Sensors & Alarms



Sensative Strips Door/  
Window Sensor

### Sensative Strips Door/Window Sensor SKU: 7350088520024

- Ultra thin design (less than 3 mm ) for invisible mounting between most doors/windows and their frames
- Simple to set up with the included adhesive backing
- Indoor or outdoor use
- Not for use on metal surfaces which may block the signal
- Long lasting non-replaceable battery (10 year life)

#### Application:

- Protocol: Z-Wave
- Manufacturer: Sensative
- Indoor Range: 130 ft.
- Magnetic Range: 0.6"
- Operating Temperature: -4°F-140°F (-20°C-60°C)

#### Dimensions:

- Sensor: 7.7"l x 0.6"w x 0.12"d
- Magnet: 1.2"l x 0.43"w x 0.04"d
- Weight: 2 oz.

#### Warranty

- 1-Year Limited Warranty



Outdoor Lighting Module

### Outdoor Lighting Module SKU: 030878142847

- Wirelessly schedule and control outdoor lighting and appliances, including seasonal and landscape lighting, fountains and pumps from anywhere
- Contains one Z-Wave outlet and a manual switch for On/Off control
- Weather and impact resistant enclosure
- Built-in mounting bracket

#### Application:

- Protocol: Z-Wave
- Max load: 600W incandescent, ½ HP motor, 120VAC
- Operating Temperature: 32-104°F

#### Dimensions:

- 5.5"h x 4.0"w x 2.5"d

#### Warranty

- 1-Year Limited

# Trane® Home Compatible Products

## FortrezZ Water Valves

### Indoor Actuator



### Indoor Actuator

**SKU: 045635411890**

- Remotely operated Z-Wave water valve compatible with Trane® Home smart home systems ①
- Automatically turns off main water supply when a water event is detected
- Select 3/4", 1", or 1-1/4" brass water valve for use with indoor actuator
- Can be used as irrigation device
- Multiple valves can be used and programmed in a Z-Wave Network
- Meets the standard of most state and municipal authorities
- Two tactile switches to manually activate the valve
- Ask insurance company for specific details about premium discounts for flood protection

### Outdoor actuator



### Outdoor Water Valve Variants

**SKU: 661799563260**

- Outdoor actuator and indoor control with 50' cable ②③

### Brass Water Valves



### Brass Ball Water Valves

**SKU: 045635411852**

- 3/4" Brass Valve ④

- ① Requires internet service and Trane® Home smart home system registration.
- ② Used with brass ball valves (ordered separately)
- ③ For applications that require outside installation above or below grade with temporary submersion at limited depth. See installation instructions for details.
- ④ Used with outdoor water valve variant (ordered separately)

# TruComfort™ Variable Speed Cooling Single Phase – 2-5 Tons

## PREMIER



**5TTV0**  
(Variable Speed)

**Table SC-1-A — 20 TruComfort™ Variable Speed Air Conditioner with WeatherGuard™ R-454B (30–100% capacity) with Trane Link®**

Model Number	Power Supply	Nom. Cap. Cooling (BTUH)	Uncrated Dimensions (in.)			Shipping Weight (lbs.)	Sound** Rating	MCA*	Max. Fuse*	Service Valve Connection Size† (in)	
			H	W	D					OD Gas	OD Liq.
5TTV0X24A1000*	208/230/1/60	24,000	46	30	33	208	64	*	*	1/2	5/16
5TTV0X25A1000*	208/230/1/60	24,000	51	34	37	256	66	*	*	1/2	5/16
5TTV0X36A1000*	208/230/1/60	36,000	51	34	37	291	69	*	*	5/8	5/16
5TTV0X48A1000*	208/230/1/60	48,000	51	34	37	291	73	*	*	7/8	5/16
5TTV0X60A1000*	208/230/1/60	60,000	51	34	37	291	76	*	*	7/8	5/16



**5TTV8**  
(Variable Speed)

**Table SC-1-B — 18 TruComfort™ Variable Speed Air Conditioner R-454B (30–100% capacity) with Trane Link®**

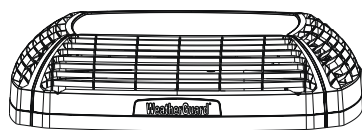
Model Number	Power Supply	Nom. Cap. Cooling (BTUH)	Uncrated Dimensions (in.)			Shipping Weight (lbs.)	Sound** Rating	MCA*	Max. Fuse*	Service Valve Connection Size† (in)	
			H	W	D					OD Gas	OD Liq.
5TTV8X24A1000*	208/230/1/60	24,000	41	30	33	197	67	*	*	1/2	5/16
5TTV8X36A1000*	208/230/1/60	36,000	41	30	33	210	74	*	*	5/8	5/16
5TTV8X48A1000*	208/230/1/60	48,000	41	34	37	251	74	*	*	3/4	5/16
5TTV8X60A1000*	208/230/1/60	60,000	41	34	37	261	76	*	*	3/4	5/16

Ⓢ Must use UX360 Smart Thermostat and SC360 System Control.

\* Please confirm with current Product Data/Service Facts for current factory production.

\*\* Rated in accordance with AHRI Standard 270-2008.

† For alternative line set sizes, please refer to the Application Guide or the Refrigerant Piping Program on ComfortSite™. Scan the QR code below to launch the Refrigerant Piping Program Application.



### WEATHERGUARD™ TOP ACCESSORY

BAYTWGR0003 - Fits base sizes 33"x30" (WxD)  
BAYTWGR0004 - Fits base sizes 37"x34" (WxD)

SCAN HERE  
for the  
Refrigerant  
Piping Program  
Application





# TruComfort™ Variable Speed Cooling Single Phase – 2-5 Tons

## PREMIER

Split System Cooling

**Table SC-2-A – Features**

	5TTV0	5TTV8
• SEER2 up to .....	23.6	18.1
• Climatuff™ compressor.....	✓	✓
• Number of stages .....	Variable	Variable
• Comfort-R™ mode approved .....	✓	✓
• Trane Link system.....	✓	✓
• DuraTuff™ base, fast complete drain, weatherproof.....	✓	✓
• Quick-Sess™ cabinet, service access & refrigerant connections with full coil protection .....	✓	✓
• Spine Fin™ coil .....	✓	✓
• Weatherguard™ II top.....	✓	—
• Compressor sound enclosure .....	✓	✓
• Compressor sump heat .....	✓	✓
• Factory supplied charge.....	R-454B	R-454B
• Glossy corrosion resistant finish.....	✓	✓
• High pressure switch .....	✓	✓
• Low pressure switch .....	✓	✓
• Internal high / low pressure & temperature protection .....	✓	✓
• Liquid line filter drier - factory installed or factory supplied for field install .....	✓	✓
• Seacoast shield - factory installed.....	✓	—
• Tarpaulin gray cabinet .....	✓	✓
• 12-year registered limited warranty on compressor, 10-year on outdoor coil & all other functional parts (Residential Use)*.....	✓	✓
• Extended warranties available.....	✓	✓

\* Registered Limited Warranty terms are available when you register within 60 days of installation. You can register online at Trane.com or by phone at 855-260-2975, otherwise Trane's Base Limited Warranty terms will apply. Base Limited Warranty information on specific products can be found on Comfortsite.com. Product Registration and Registration Transfer exclusions vary in the US from state to state and in Canada from province to province. To determine if there are specific exclusions for your state or province check your local laws.

**Table SC-2-B – Optional Accessories**

Model Number	Description	Shipping Weight		
BAYECMT023 .....	Extreme Conditions Mounting Kit (Base 2/3) .....	2.....	2	2-3
BAYECMT004 .....	Extreme Conditions Mounting Kit (Base 4).....	2.....	3-5	4-5
BAYISLT101 .....	Rubber Isolators.....	1.....	✓	✓
BAYLEGS007 .....	Snow Legs - 7" High (Black).....	1.....	✓	✓
BAYLEGS004 .....	Snow Legs - 4" High (Black).....	1.....	✓	✓
BAYVDTA003 .....	Vertical Discharge Air Kit Base 3.....	10.....	2	—
BAYVDTA004 .....	Vertical Discharge Air Kit Base 4.....	10.....	3-5	—
BAYSEAC00①.....	Seacoast Kit .....	1.....	—	✓
PAI003091 .....	Heresite Spraypaint.....	1.....	✓	✓
BAYSEN01ATEMPA.....	External Ambient Kit .....	.....	✓	✓
BAYTWGR0004 .....	WeatherGuard™ Top - Fits unit base size of (W x D) of 37" X 34" .....	.....	—	4-5
BAYTWGR0003 .....	WeatherGuard™ Top - Fits unit base size of (W x D) of 33" X 30" .....	.....	—	2-3
BAYECC001 .....	Extreme Coastal Conditions Kit* .....	.....	✓	✓
BAYCAKT002.....	SmartCharge™ automatic charging solenoid kit.....	.....	✓	✓
TR02LGFCI25 .....	25 Amp GFCI Kit.....	.....	②	②
TR02LGFCI30 .....	30 Amp GFCI Kit.....	.....	②	②
TR04LGFCI35 .....	35 Amp GFCI Kit.....	.....	②	②
TR04LGFCI40 .....	40 Amp GFCI Kit.....	.....	②	②

\* Not for use in Arizona or other extreme heat applications.¹

② Please reference Installers Guides for compatible model sizes

**Comfort Controls — See Comfort Controls/Zone Sensors Section**

① Used for additional seacoast corrosion protection. Refer to bulletin number UN-SVB11A-EN for application information.

For complete equipment / combination selections, installation instructions and warranty information, please refer to Product Data/Ratings and/or Installers Guides and Limited Warranty Handbooks.

# Multi-Speed Cooling Single Phase - 2-5 Tons

## PRIORITY



**5TTX7**  
(Multi Stage)

**Table SC-3-A — 17 Multi-Speed Air Conditioner with WeatherGuard™ - R-454B**

Model Number	Power Supply	Nom. Cap. Cooling (BTUH)	Uncrated Dimensions (in.)			Shipping Weight (lbs.)	Sound** Rating	MCA*	Max. Fuse*	Service Valve Connection Size† (in)	
			H	W	D					OD Gas	OD Liq.
5TTX7024A1000*	208/230/1/60	24,000	46	30	33	197	72	*	*	3/4	5/16
5TTX7036A1000*	208/230/1/60	36,000	46	30	33	210	72	*	*	3/4	5/16
5TTX7048A1000*	208/230/1/60	48,000	46	34	37	251	74	*	*	7/8	5/16
5TTX7060A1000*	208/230/1/60	60,000	46	34	37	261	72	*	*	7/8	3/8



**5TTR7**  
(Multi-Speed)

**Table SC-3-B — 17 Multi-Speed Air Conditioner - R-454B**

Model Number	Power Supply	Nom. Cap. Cooling (BTUH)	Uncrated Dimensions (in.)			Shipping Weight (lbs.)	Sound** Rating	MCA*	Max. Fuse*	Service Valve Connection Size† (in)	
			H	W	D					OD Gas	OD Liq.
5TTR7024A1000*	208/230/1/60	24,000	41	30	33	197	72	*	*	3/4	5/16
5TTR7036A1000*	208/230/1/60	36,000	41	30	33	210	72	*	*	3/4	5/16
5TTR7048A1000*	208/230/1/60	48,000	41	34	37	251	74	*	*	7/8	5/16
5TTR7060A1000*	208/230/1/60	60,000	41	34	37	261	72	*	*	7/8	3/8

\* Please confirm with current Product Data/Service Facts for current factory production.

\*\* Rated in accordance with AHRI Standard 270-2008.

† For alternative line set sizes, please refer to the Application Guide or the Refrigerant Piping Program on ComfortSite. Visit page SC-1 to scan the QR code to launch the Refrigerant Piping Program Application.

# Multi-Speed Cooling Single Phase - 2-5 Tons

## PRIORITY

Split System Cooling

**Table SC-4-A – Features**

	5TTX7	5TTR7
• SEER2 up to .....	18.0	17.1
• Climatuff™ compressor.....	✓	✓
• Number of speeds up to ①.....	6	6
• Comfort-R™ mode approved .....	✓	✓
• DuraTuff™ base, fast complete drain, weatherproof .....	✓	✓
• Quick-Sess™ cabinet, service access & refrigerant connections with full coil protection .....	✓	✓
• Spine Fin™ coil .....	✓	✓
• WeatherGuard™ II top .....	✓	—
• Factory supplied charge.....	R-454B	R-454B
• Compressor Heat .....	✓	✓
• Glossy corrosion resistant finish.....	✓	✓
• High pressure switch .....	✓	✓
• Low pressure switch .....	✓	✓
• Internal high / low pressure & temperature protection .....	✓	✓
• Liquid line filter drier - factory installed or factory supplied for field install .....	✓	✓
• Seacoast shield - factory installed.....	✓	—
• Tarpaulin gray cabinet .....	✓	✓
• 10-year registered limited warranty on compressor, 10-year on outdoor coil & all other functional parts (Residential Use)* .....	—	✓
• 12-year registered limited warranty on compressor, 10-year on outdoor coil & all other functional parts (Residential Use)* .....	✓	—
• Extended warranties available.....	✓	✓

① Depending on ambient conditions to improve reliable operation.

\* Registered Limited Warranty terms are available when you register within 60 days of installation. You can register online at Trane.com or by phone at 855-260-2975, otherwise Trane's Base Limited Warranty terms will apply. Base Limited Warranty information on specific products can be found on Comfortsite.com. Product Registration and Registration Transfer exclusions vary in the US from state to state and in Canada from province to province. To determine if there are specific exclusions for your state or province check your local laws.

**Table SC-4-B – Optional Accessories**

Model Number	Description	Shipping Weight		
BAYECMT003 .....	Extreme Conditions Mounting Kit (Base 3).....	2 .....	2-3	2-3
BAYECMT004 .....	Extreme Conditions Mounting Kit (Base 4).....	2 .....	4-5	4-5
BAYISLT101 .....	Rubber Isolators.....	1 .....	✓	✓
BAYLEGS007 .....	Snow Legs - 7" High (Black).....	1 .....	✓	✓
BAYLEGS004 .....	Snow Legs - 4" High (Black).....	1 .....	✓	✓
BAYSEAC001 .....	Seacoast Kit .....	1 .....	—	✓
BAYVDTA003 .....	Vertical Discharge Air Kit Base 3.....	10.....	2-3	—
BAYVDTA004 .....	Vertical Discharge Air Kit Base 4.....	10.....	4-5	—
TAYSVPANL0044AA .....	Service Valve Panel Cover Kit .....	2 .....	2-5	2-5
BAYTWGR0004 .....	WeatherGuard™ Top - Fits unit base size of (W x D) of 37" X 34" .....	.....	—	4-5
BAYTWGR0003 .....	WeatherGuard™ Top - Fits unit base size of (W x D) of 33" X 30" .....	.....	—	2-3
PAI003093 ②.....	Heresite Spraypaint.....	1 .....	✓	✓
TR02LGFCI25 .....	25 Amp GFCI Kit.....	.....	③	③
TR02LGFCI30 .....	30 Amp GFCI Kit.....	.....	③	③
TR04LGFCI35 .....	35 Amp GFCI Kit.....	.....	③	③
TR04LGFCI40 .....	40 Amp GFCI Kit.....	.....	③	③

**Comfort Controls — See Comfort Controls/Zone Sensors Section**

② Used for additional seacoast corrosion protection. Refer to bulletin number UN-SVB11A-EN for application information.

③ Please reference Installers Guides for compatible model sizes

# Single Stage Cooling Single Phase – 1½-5 Tons

## CHOICE



**5TTX6**  
(Single Stage)

**Table SC-5-A – 16 Single-Stage Air Conditioner with WeatherGuard™ - R-454B**

Model Number	Power Supply	Nom. Cap. Cooling (BTUH)	Uncrated Dimensions (in.)			Shipping Weight (lbs.)	Sound** Rating	MCA*	Max. Fuse*	Service Valve Connection Size† (in)	
			H	W	D					OD Gas	OD Liq.
5TTX6018A1000*	208/230/1/60	18,000	42	33	30	231	73	*	*	3/4	5/16
5TTX6024A1000*	208/230/1/60	24,000	38	33	30	194	71	*	*	3/4	5/16
5TTX6030A1000*	208/230/1/60	30,000	42	33	30	231	73	*	*	3/4	5/16
5TTX6036A1000*	208/230/1/60	36,000	38	33	30	194	71	*	*	3/4	5/16
5TTX6042A1000*	208/230/1/60	42,000	44	37	34	255	71	*	*	7/8	5/16
5TTX6048A1000*	208/230/1/60	48,000	52	37	34	317	71	*	*	7/8	5/16
5TTX6060A1000*	208/230/1/60	60,000	52	37	34	321	71	*	*	7/8	5/16



**5TTX5**  
(Single Stage)

**Table SC-5-B – 15 Single-Stage Air Conditioner with WeatherGuard™ - R-454B**

Model Number	Power Supply	Nom. Cap. Cooling (BTUH)	Uncrated Dimensions (in.)			Shipping Weight (lbs.)	Sound** Rating	MCA*	Max. Fuse*	Service Valve Connection Size† (in)	
			H	W	D					OD Gas	OD Liq.
5TTX5018A1000*	208/230/1/60	18,000	42	33	30	231	73	*	*	3/4	5/16
5TTX5024A1000*	208/230/1/60	24,000	38	33	30	194	71	*	*	3/4	5/16
5TTX5030A1000*	208/230/1/60	30,000	42	33	30	231	73	*	*	3/4	5/16
5TTX5036A1000*	208/230/1/60	36,000	38	33	30	194	71	*	*	3/4	5/16
5TTX5042A1000*	208/230/1/60	42,000	44	37	34	255	71	*	*	7/8	5/16
5TTX5048A1000*	208/230/1/60	48,000	52	37	34	317	71	*	*	7/8	5/16
5TTX5060A1000*	208/230/1/60	60,000	52	37	34	321	71	*	*	7/8	5/16



**5TTR6**  
(Single Stage)

**Table SC-5-C – 16 Single-Stage Air Conditioner - R-454B**

Model Number	Power Supply	Nom. Cap. Cooling (BTUH)	Uncrated Dimensions (in.)			Shipping Weight (lbs.)	Sound** Rating	MCA*	Max. Fuse*	Service Valve Connection Size† (in)	
			H	W	D					OD Gas	OD Liq.
5TTR6018A1000*	208/230/1/60	18,000	37	30	33	220	73	*	*	3/4	5/16
5TTR6024A1000*	208/230/1/60	24,000	33	30	33	183	71	*	*	3/4	5/16
5TTR6030A1000*	208/230/1/60	30,000	37	30	33	220	73	*	*	3/4	5/16
5TTR6036A1000*	208/230/1/60	36,000	33	30	33	183	71	*	*	3/4	5/16
5TTR6042A1000*	208/230/1/60	42,000	37	34	37	246	71	*	*	7/8	5/16
5TTR6048A1000*	208/230/1/60	48,000	45	34	37	307	71	*	*	7/8	5/16
5TTR6060A1000*	208/230/1/60	60,000	45	34	37	302	71	*	*	7/8	5/16



**5TTR5**  
(Single Stage)

**Table SC-5-D – 15 Single-Stage Air Conditioner - R-454B**

Model Number	Power Supply	Nom. Cap. Cooling (BTUH)	Uncrated Dimensions (in.)			Shipping Weight (lbs.)	Sound** Rating	MCA*	Max. Fuse*	Service Valve Connection Size† (in)	
			H	W	D					OD Gas	OD Liq.
5TTR5018A1000*	208/230/1/60	18,000	37	30	33	220	73	*	*	3/4	5/16
5TTR5024A1000*	208/230/1/60	24,000	33	30	33	183	71	*	*	3/4	5/16
5TTR5030A1000*	208/230/1/60	30,000	37	30	33	220	73	*	*	3/4	5/16
5TTR5036A1000*	208/230/1/60	36,000	33	30	33	183	71	*	*	3/4	5/16
5TTR5042A1000*	208/230/1/60	42,000	37	34	37	246	71	*	*	7/8	5/16
5TTR5048A1000*	208/230/1/60	48,000	45	34	37	307	71	*	*	7/8	5/16
5TTR5060A1000*	208/230/1/60	60,000	45	34	37	302	71	*	*	7/8	5/16

\* Please confirm with current Product Data/Service Facts for current factory production.

\*\* Rated in accordance with AHRI Standard 270-2008.

† For alternative line set sizes, please refer to the Application Guide or the Refrigerant Piping Program on ComfortSite. Visit page SC-1 to scan the QR code to launch the Refrigerant Piping Program Application.

# Single Stage Cooling Single Phase – 1½-5 Tons

## CHOICE



**5TTR4**  
(Single Stage)

**Table SC-6-A – 14 Single-Stage Air Conditioner - R-454B**

Model Number	Power Supply	Nom. Cap. Cooling (BTUH)	Uncrated Dimensions (in.)			Shipping Weight (lbs.)	Sound** Rating	MCA*	Max. Fuse*	Service Valve Connection Size† (in)	
			H	W	D					OD Gas	OD Liq.
5TTR4018A1000*	208/230/1/60	18,000	37	30	33	220	73	*	*	3/4	5/16
5TTR4024A1000*	208/230/1/60	24,000	33	30	33	183	71	*	*	3/4	5/16
5TTR4030A1000*	208/230/1/60	30,000	37	30	33	220	73	*	*	3/4	5/16
5TTR4036A1000*	208/230/1/60	36,000	33	30	33	183	71	*	*	3/4	5/16
5TTR4042A1000*	208/230/1/60	42,000	37	34	37	246	71	*	*	7/8	5/16
5TTR4048A1000*	208/230/1/60	48,000	45	34	37	307	71	*	*	7/8	5/16
5TTR4060A1000*	208/230/1/60	60,000	45	34	37	302	71	*	*	7/8	5/16

**Table SC-6-B – 13 Single-Stage Air Conditioner R-454B ①**

Model Number	Power Supply	Nom. Cap. Cooling (BTUH)	Uncrated Dimensions (in.)			Shipping Weight (lbs.)	Sound** Rating	MCA*	Max. Fuse*	Service Valve Connection Size† (in)	
			H	W	D					OD Gas	OD Liq.
5TTR3018A1000*	208/230/1/60	18,000	29	26	29	153	71	*	*	3/4	5/16
5TTR3024A1000*	208/230/1/60	24,000	29	26	29	153	71	*	*	3/4	5/16
5TTR3030A1000*	208/230/1/60	30,000	29	30	33	161	73	*	*	3/4	5/16
5TTR3036A1000*	208/230/1/60	36,000	29	30	33	161	73	*	*	3/4	5/16
5TTR3042A1000*	208/230/1/60	42,000	37	30	33	220	73	*	*	7/8	5/16
5TTR3048A1000*	208/230/1/60	48,000	37	34	37	246	71	*	*	7/8	5/16
5TTR3060A1000*	208/230/1/60	60,000	37	34	37	246	71	*	*	7/8	5/16

① 13.4 SEER2 AC equipment can only be installed in the North Zone.

\* Please confirm with current Product Data/Service Facts for current factory production.

\*\* Rated in accordance with AHRI Standard 270-2008.

† For alternative line set sizes, please refer to the Application Guide or the Refrigerant Piping Program on ComfortSite. Visit page SC-1 to scan the QR code to launch the Refrigerant Piping Program Application.

Split System Cooling



**5TTR3**  
(Single Stage)

**Table SC-6-C – Features**

	5TTX5	5TTX5	5TTR6	5TTR5	5TTR4	5TTR3
• SEER2 up to .....	17.0	17.0	17.0	17.0	14.3	13.4
• Climatuff™ compressor .....	✓	✓	✓	✓	✓	✓
• Number of stages .....	1	1	1	1	1	1
• Comfort-R™ mode approved.....	✓	✓	✓	✓	✓	✓
• DuraTuff™ base, fast complete drain, weatherproof.....	✓	✓	✓	✓	✓	✓
• Quick-Sess™ cabinet, service access & refrigerant connections with full coil protection....	✓	✓	✓	✓	✓	✓
• Spine Fin™ coil.....	✓	✓	✓	✓	✓	✓
• Weatherguard™ II top .....	✓	✓	—	—	—	—
• Factory supplied charge.....	R-454B	R-454B	R-454B	R-454B	R-454B	R-454B
• Glossy corrosion resistant finish.....	✓	✓	✓	✓	✓	✓
• High pressure switch .....	✓	✓	✓	✓	✓	✓
• Low pressure switch .....	✓	✓	—	—	—	—
• Internal high / low pressure & temperature protection .....	✓	✓	✓	✓	✓	✓
• Liquid line filter drier - factory installed or factory supplied for field install .....	✓	✓	✓	✓	✓	✓
• Seacoast shield - factory installed.....	✓	✓	—	—	—	—
• Tarpaulin gray cabinet .....	✓	✓	✓	✓	✓	✓
• 10-year registered limited warranty on compressor, 10-year on outdoor coil and all other functional parts (Residential Use)* .....	—	—	✓	✓	✓	✓
• 12-year registered limited warranty on compressor, 10-year on outdoor coil and all other functional parts (Residential Use)* .....	✓	✓	—	—	—	—
• Extended warranties available .....	✓	✓	✓	✓	✓	✓

\* Registered Limited Warranty terms are available when you register within 60 days of installation. You can register online at Trane.com or by phone at 855-260-2975, otherwise Trane's Base Limited Warranty terms will apply. Base Limited Warranty information on specific products can be found on Comfortsite.com. Product Registration and Registration Transfer exclusions vary in the US from state to state and in Canada from province to province. To determine if there are specific exclusions for your state or province check your local laws.

# Single Stage Cooling Single Phase – 1½-5 Tons

## CHOICE

**Table SC-7-A – Optional Accessories**

Model Number	Description	Shipping Weight	5TTX6	5TTX5	5TTR6	5TTR5	5TTR4	5TTR3
AY28X079.....	Evap. Defrost Control Kit .....	1 .....	—	—	✓	✓	✓	✓
BAYCCHT301RES ....	Crankcase Heater Kit (Scroll) .....	1 .....	3½-5	3½-5	3½-5	3½-5	3½-5	3½-5
BAYCCHT302RES ....	Crankcase Heater Kit (Scroll) .....	1 .....	1½-3	1½-3	1½-3	1½-3	1½-3	1½-3
BAYECMT023 .....	Extreme Conditions Mounting Kit (Base 2/3) .	2 .....	1½-3	1½-3	1½-3	1½-3	1½-3	1½-3½
BAYECMT004 .....	Extreme Conditions Mounting Kit (Base 4).....	2 .....	3½-5	3½-5	3½-5	3½-5	3½-5	4-5
BAYISLT101 .....	Rubber Isolators.....	1 .....	✓	✓	✓	✓	✓	✓
BAYKSKT263 .....	Start Kit.....	1 .....	2½-5	2½-5	2½-5	2½-5	2½-5	2-5
BAYLEGS007 .....	Snow Legs - 7" High (Black).....	1 .....	✓	✓	✓	✓	✓	✓
BAYLEGS004 .....	Snow Legs - 4" High (Black).....	1 .....	✓	✓	✓	✓	✓	✓
BAYLOAM107A .....	Low Ambient Kit.....	1 .....	✓	✓	✓	✓	✓	✓
BAYSDEN001 .....	Small Scroll Compressor Enclosures.....	8 .....	1½-3	1½-3	1½-3	1½-3	1½-3	1½-3
BAYSDEN004 .....	Large Scroll Compressor Enclosures .....	8 .....	3½-5	3½-5	3½-5	3½-5	3½-5	3½-5
BAYSEAC001 .....	Seacoast Kit .....	1 .....	—	—	✓	✓	✓	✓
TAYASCT501A ①② ...	Anti-Short Cycle Timer.....	2 .....	—	—	✓	✓	✓	✓
TAYSVPANL0022AA..	Service Valve Panel Cover Kit .....	2 .....	—	—	—	—	—	1½-2
TAYSVPANL0032AA...	Service Valve Panel Cover Kit .....	2 .....	—	—	—	—	—	2½-3
TAYSVPANL3343AA...	Service Valve Panel Cover Kit .....	2 .....	2-3	2-3	2-3	2-3	2-3	—
TAYSVPANL0044AA...	Service Valve Panel Cover Kit .....	2 .....	1½, 2½, 3½	1½, 2½, 3½	1½, 2½, 3½	1½, 2½, 3½	1½, 2½, 3½	3½-5
TAYSVPANL0046AA...	Service Valve Panel Cover Kit .....	2 .....	4-5	4-5	4-5	4-5	4-5	—
BAYVDTA003 .....	Vertical Discharge Air Kit Base 3 .....	10.....	1½-2½	1½-2½	—	—	—	—
BAYVDTA004 .....	Vertical Discharge Air Kit Base 4 .....	10.....	3-5	3-5	—	—	—	—
TAYASCT501A ①② ...	Anti-Short Cycle Timer.....	2 .....	✓	✓	2-2½	2-2½	✓	✓
PAI00309 ③.....	Heresite Spraypaint .....	.....	✓	✓	4-5	4-5	✓	✓
BAYTWGR0004 .....	WeatherGuard™ Top - Fits unit base size of (W x D) 37" X 34" .....	.....	—	—	3½-5	3½-5	3½-5	4-5
BAYTWGR0004 .....	WeatherGuard™ Top - Fits unit base size of (W x D) 33" X 30" .....	.....	—	—	1½-3	1½-3	1½-3	2½-3½
TR02LGFCI25 .....	25 Amp GFCI Kit .....	.....	④	④	④	④	④	④
TR02LGFCI30 .....	30 Amp GFCI Kit .....	.....	④	④	④	④	④	④
TR04LGFCI35 .....	35 Amp GFCI Kit .....	.....	④	④	④	④	④	④
TR04LGFCI40 .....	40 Amp GFCI Kit .....	.....	④	④	④	④	④	④

A = Factory Installed

### Comfort Controls — See Comfort Controls/Zone Sensors Section

- ① Do not use with programmable thermostats.
- ② Activated on Power Off.
- ③ Used for additional seacoast corrosion protection. Refer to bulletin number UN-SVB11A-EN for application information.
- ④ Please reference Installers Guides for compatible model sizes

# Single Stage Cooling Three Phase - 3-5 Tons

## CHOICE



**5TTA4**  
(Single Stage)

**Table SC-8-A — 14 Single-Stage Air Conditioner - R-454B — Three Phase**

Model Number	Power Supply	Nom. Cap. Cooling (BTUH)	Uncrated Dimensions (in.)			Shipping Weight (lbs.)	Sound** Rating	MCA*	Max. Fuse*	Service Valve Connection Size† (in)	
			H	W	D					OD Gas	OD Liq.
5TTA4036A3000*	208/230/3/60	36,000	33	30	33	183	70	*	*	3/4	5/16
5TTA4042A3000*	208/230/3/60	42,000	37	34	37	246	72	*	*	7/8	5/16
5TTA4048A3000*	208/230/3/60	48,000	45	34	37	307	72	*	*	7/8	5/16
5TTA4060A3000*	208/230/3/60	60,000	45	34	37	302	72	*	*	7/8	5/16
5TTA4036A4000*	460/3/60	36,000	33	30	33	183	70	*	*	3/4	5/16
5TTA4042A4000*	460/3/60	42,000	37	34	37	246	72	*	*	7/8	5/16
5TTA4048A4000*	460/3/60	48,000	45	34	37	307	72	*	*	7/8	5/16
5TTA4060A4000*	460/3/60	60,000	45	34	37	302	72	*	*	7/8	5/16



**5TTA3**  
(Single Stage)

**Table SC-8-B — 13 Single-Stage Air Conditioner - R-454B — Three Phase**

Model Number	Power Supply	Nom. Cap. Cooling (BTUH)	Uncrated Dimensions (in.)			Shipping Weight (lbs.)	Sound** Rating	MCA*	Max. Fuse*	Service Valve Connection Size† (in)	
			H	W	D					OD Gas	OD Liq.
5TTA3036A3000*	208/230/3/60	36,000	29	30	33	189	70	*	*	3/4	5/16
5TTA3042A3000*	208/230/3/60	42,000	37	30	33	220	72	*	*	7/8	5/16
5TTA3048A3000*	208/230/3/60	48,000	37	34	37	246	72	*	*	7/8	5/16
5TTA3060A3000*	208/230/3/60	60,000	37	34	37	246	72	*	*	7/8	5/16
5TTA3036A4000*	460/3/60	36,000	29	30	33	189	70	*	*	3/4	5/16
5TTA3042A4000*	460/3/60	42,000	37	30	33	220	72	*	*	7/8	5/16
5TTA3048A4000*	460/3/60	48,000	37	34	37	246	72	*	*	7/8	5/16
5TTA3060A4000*	460/3/60	60,000	37	34	37	246	72	*	*	7/8	5/16

\* Please confirm with current Product Data/Service Facts for current factory production.

\*\* Rated in accordance with AHRI Standard 270-2008.

† For alternative line set sizes, please refer to the Application Guide or the Refrigerant Piping Program on ComfortSite. Visit page SC-1 to scan the QR code to launch the Refrigerant Piping Program Application.

**Table SC-8-C — Features**

	5TTA4	5TTA3
• SEER2 up to .....	16.0	13.4
• Comfort-R™ mode approved .....	✓	✓
• Climatuff™ compressor.....	✓	✓
• DuraTuff™ base, fast complete drain, weatherproof.....	✓	✓
• Quick-Sess™ cabinet, service access & refrigerant connections with full coil protection .....	✓	✓
• Spine Fin™ coil .....	✓	✓
• Compressor sump heat - factory installed .....	✓	✓
• Refrigerant.....	R-454B	R-454B
• Glossy corrosion resistant finish.....	✓	✓
• High pressure switch .....	✓	✓
• Compressor sound enclosure .....	—	3½
• Internal high / low pressure & temperature protection .....	✓	✓
• Liquid line filter drier - factory installed or factory supplied for field install .....	✓	✓
• Tarpaulin gray cabinet .....	✓	✓
• 5-year basic limited warranty on compressor, 1-year on outdoor coil & all other functional parts (Commercial Use) .....	✓	✓
• 10-year registered limited warranty on compressor, outdoor coil & all other functional parts (Residential Use)* .....	✓	✓
• Extended warranties available .....	✓	✓

\* Registered Limited Warranty terms are available when you register within 60 days of installation. You can register online at Trane.com or by phone at 855-260-2975, otherwise Trane's Base Limited Warranty terms will apply. Base Limited Warranty information on specific products can be found on Comfortsite.com. Product Registration and Registration Transfer exclusions vary in the US from state to state and in Canada from province to province. To determine if there are specific exclusions for your state or province check your local laws.

# Single Stage Cooling Three Phase - 3-5 Tons

## CHOICE

**Table SC-9-A – Optional Accessories**

Model Number	Description	Shipping Weight	5TTA4	5TTA3
AY28X079.....	Evap. Defrost Control Kit .....	1.....	✓	✓
BAYECMT023 .....	Extreme Conditions Mounting Kit (Base 2/3) .....	2.....	3	2½-3
BAYECMT004 .....	Extreme Conditions Mounting Kit (Base 4) .....	2.....	3½-5	3½-5
BAYISLT101 .....	Rubber Isolators.....	1.....	✓	✓
BAYKSKT263.....	Start Kit.....	1.....	—	5
BAYKSKT260.....	Start Kit.....	1.....	—	3
BAYLEGS007 .....	Snow Legs - 7" High (Black).....	1.....	✓	✓
BAYLEGS004 .....	Snow Legs - 4" High (Black).....	1.....	✓	✓
BAYLOAM107A .....	Low Ambient Kit.....	1.....	✓	✓
BAYSDEN001 .....	Small Scroll Compressor Enclosures.....	8.....	3½-4	3-4
BAYSDEN004 .....	Large Scroll Compressor Enclosures .....	8.....	3, 5	5
BAYSEAC001 .....	Seacoast Kit .....	1.....	✓	✓
TAYASCT501A ①② .....	Anti-Short Cycle Timer.....	2.....	✓	✓
TAYSVPANL0032AA .....	Service Valve Panel Cover Kit .....	2.....	3½-4	3-4
TAYSVPANL3343AA .....	Service Valve Panel Cover Kit .....	2.....	3	—
TAYSVPANL0044AA .....	Service Valve Panel Cover Kit .....	2.....	5	5
PAI00309 ③.....	Heresite Spraypaint.....	1.....	✓	✓
BAYTWGR0004 .....	<b>WeatherGuard™</b> Top - Fits unit base size of (W x D) of 37" X 34" .....		3½-5	4-5
BAYTWGR0003 .....	<b>WeatherGuard™</b> Top - Fits unit base size of (W x D) of 33" X 30" .....		3	3-3½

A = Factory Installed

### Comfort Controls — See Comfort Controls/Zone Sensors Section

- ① Not for use with programmable thermostats.
- ② Activated on Power Off.
- ③ Used for additional seacoast corrosion protection. Refer to bulletin number UN-SVB11A-EN for application information.



# Enhancing Your Sales Strategy with Heat Pump Benefits



As the movement towards electrification accelerates, HVAC dealers are leading the way in this significant transformation. Shifting toward electric heating systems, especially heat pumps, represents more than just a current trend—it's an essential stride towards achieving a more energy-efficient and sustainable future. Check out how you can leverage the heat pump benefits below in your selling approach at the kitchen table:

➤ **Energy Efficiency:** Heat pumps often have high SEER2 (Seasonal Energy Efficiency Ratio) and HSPF2 (Heating Seasonal Performance Factor) ratings, indicating superior energy efficiency.

Use these ratings to highlight the long-term energy cost savings for customers.

➤ **Year-Round Comfort:** Heat pumps provide quiet, year-round comfort with a single system – as a heat pump both heats and cools. Additionally, heat pumps can improve indoor air quality by providing humidity control and filtration throughout the home. When in cooling mode, heat pumps can effectively dehumidify indoor air, which is particularly beneficial in humid climates.

Talk to your customers about their home comfort goals and share how a heat pump can improve their year-round comfort.

*Continued on next page*



**Innovating for a sustainable future: As an industry leader in home comfort and HVAC innovation, Trane is committed to energy efficient solutions and reducing our customers' carbon footprint.**

# Enhancing Your Sales Strategy with Heat Pump Benefits



➤ **Versatility in Installation:** Modern heat pumps are very flexible, and there are designs for every climate. They can be paired with a gas furnace for a hybrid/dual fuel system, and are available in both ducted or ductless applications.

This versatility allows you to offer solutions for a wide range of home layouts and customer needs.

➤ **Environmental Impact:** Beyond the comfort and energy savings, heat pumps are a more environmentally friendly option for customers' homes since they use electricity to generate warmth rather than burning fossil fuels.

With electrification as a growing trend among homeowners, communicate the environmental benefits of heat pumps and appeal to customers who prioritize sustainability and eco-friendly solutions.

➤ **Incentives and Rebates:** Many regions offer financial incentives and rebates for installing energy-efficient heat pumps. Your local utility may offer an incentive as well.

Leverage incentive information to make heat pumps even more attractive to cost-conscious customers. Scan the QR code to explore incentives available in your area.



*Innovating for a sustainable future: As an industry leader in home comfort and HVAC innovation, Trane is committed to energy efficient solutions and reducing our customers' carbon footprint.*

# TruComfort™ Variable Speed Heat Pumps Single Phase – 2-5 Tons

## PREMIER



**5TWV0**  
(Variable Speed)

**Table SH-1-A – 20 TruComfort™ Variable Speed Heat Pump with WeatherGuard™ (25–100% capacity) R-454B with Trane Link<sup>①</sup>**

Model Number	Power Supply	Nom. Cap. Cooling (BTUH)	Uncrated Dimensions (in.)			Shipping Weight (lbs.)	Sound Rating (Cool)** (Heat)		MCA*	Max. Fuse*	Service Valve Connection Size† (in)	
			H	W	D		OD Gas	OD Liq.				
5TWV0X24A1000*	208/230/1/60	24,000	46	30	33	211	52/64	51/71	*	*	1/2	5/16
5TWV0X36A1000*	208/230/1/60	36,000	51	34	37	248	53/69	55/74	*	*	5/8	5/16
5TWV0X48A1000*	208/230/1/60	48,000	51	34	37	268	56/73	57/75	*	*	7/8	5/16
5TWV0X60A1000*	208/230/1/60	60,000	51	34	37	306	63/74	61/73	*	*	3/4	5/16



**5TWV8**  
(Variable Speed)

**Table SH-1-B – 18 TruComfort™ Variable Speed Heat Pump (25–100% capacity) R-454B with Trane Link<sup>①</sup>**

Model Number	Power Supply	Nom. Cap. Cooling (BTUH)	Uncrated Dimensions (in.)			Shipping Weight (lbs.)	Sound Rating (Cool)** (Heat)		MCA*	Max. Fuse*	Service Valve Connection Size† (in)	
			H	W	D		OD Gas	OD Liq.				
5TWV8X24A1000*	208/230/1/60	24,000	41	30	33	200	55/67	54/74	*	*	1/2	5/16
5TWV8X36A1000*	208/230/1/60	36,000	41	30	33	213	58/74	56/76	*	*	5/8	5/16
5TWV8X48A1000*	208/230/1/60	48,000	41	34	37	254	59/74	58/76	*	*	3/4	5/16
5TWV8X60A1000*	208/230/1/60	60,000	41	34	37	264	66/76	64/76	*	*	3/4	5/16

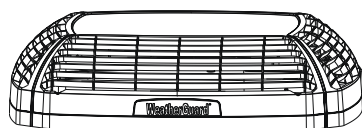
① Must use UX360 Smart Thermostat and SC360 System Control.

\* Please confirm with current Product Data/Service Facts for current factory production.

\*\* Rated in accordance with AHRI Standard 270-2008 (Min/Max).

† For alternative line set sizes, please refer to the Application Guide or the Refrigerant Piping Program on ComfortSite™  
Scan the QR code below to launch the Refrigerant Piping Program Application.

Split System Heat Pumps



### WEATHERGUARD™ TOP ACCESSORY

BAYTWGR0003 - Fits base sizes 33"x30" (WxD)  
BAYTWGR0004 - Fits base sizes 37"x34" (WxD)

SCAN HERE  
for the  
Refrigerant  
Piping Program  
Application





# TruComfort™ Variable Speed Heat Pumps Single Phase – 2-5 Tons

## PREMIER

**Table SH-2-A – Features**

	5TWW0	5TWW8
• SEER2 up to .....	22.4	18.1
• HSPF2 up to .....	10.5	8.5
• Climatuff™ compressor.....	✓	✓
• Number of stages .....	Variable	Variable
• Comfort-R™ mode approved .....	✓	✓
• Trane Link system.....	✓	✓
• DuraTuff™ base, fast completed rain, weatherproof.....	✓	✓
• Quick-Sess™ cabinet, service access & refrigerant connections with full coil protection .....	✓	✓
• SpineFin™ coil .....	✓	✓
• WeatherGuard™ II top .....	✓	–
• Compressor sound enclosure .....	✓	✓
• Compressor sump heat .....	✓	✓
• Factory supplied charge.....	R-454B	R-454B
• Glossy corrosion resistant finish.....	✓	✓
• High pressure switch .....	✓	✓
• Low pressure protection.....	✓	✓
• Liquid line filter drier-factory supplied for field install .....	✓	✓
• Seacoast shield-factory installed .....	✓	–
• Tarpaulin gray cabinet .....	✓	✓
• 12-year registered limited warranty on compressor, 10-year on outdoor coil & all other functional parts (Residential Use)* .....	✓	✓
• Extended warranties available.....	✓	✓

\* Registered Limited Warranty terms are available when you register within 60 days of installation. You can register online at Trane.com or by phone at 855-260-2975, otherwise Trane's Base Limited Warranty terms will apply. Base Limited Warranty information on specific products can be found on Comfortsite.com. Product Registration and Registration Transfer exclusions vary in the US from state to state and in Canada from province to province. To determine if there are specific exclusions for your state or province check your local laws.

**Table SH-2-B – Optional Accessories**

Model Number	Description	Shipping Weight		
BAYECMT023 .....	Extreme Conditions Mounting Kit (Base 2/3) .....	2.....	2	2-3
BAYECMT004 .....	Extreme Conditions Mounting Kit (Base 4).....	2.....	3-5	4-5
BAYISLT101 .....	Rubber Isolators .....	1.....	✓	✓
BAYLEGS007 .....	Snow Legs - 7" High (Black).....	1.....	✓	✓
BAYLEGS004 .....	Snow Legs - 4" High (Black) .....	1.....	✓	✓
BAYVDTA003 .....	Vertical Discharge Air Kit Base 3 .....	10.....	2	–
BAYVDTA004 .....	Vertical Discharge Air Kit Base 4.....	10.....	3-5	–
BAYSEAC001 .....	Seacoast Kit .....	1.....	–	✓
PAI00309①.....	Heresite Spraypaint .....	1.....	✓	✓
BAYSEN01ATEMPA.	External Ambient Kit .....		✓	✓
BAYTWGR0004 .....	WeatherGuard™ Top - Fits unit base size of (W x D) of 37" X 34" .....		–	4-5
BAYTWGR0003 .....	WeatherGuard™ Top - Fits unit base size of (W x D) of 33" X 30" .....		–	2-3
BAYECC001 .....	Extreme Coastal Conditions Kit*.....		✓	✓
BAYCAKT002.....	SmartCharge™ automatic charging solenoid kit .....		✓	✓
TR02LGFCI25 .....	25 Amp GFCI Kit.....		②	②
TR02LGFCI30 .....	30 Amp GFCI Kit.....		②	②
TR04LGFCI35 .....	35 Amp GFCI Kit.....		②	②
TR04LGFCI40 .....	40 Amp GFCI Kit.....		②	②

\* Not for use in Arizona or other extreme heat applications.

**Comfort Controls – See Comfort Controls/Zone Sensors Section**

- ① Used for additional seacoast corrosion protection. Refer to bulletin number UN-SVB11A-EN for application information.
- ② Please reference Installers Guides for compatible model sizes.

For complete equipment / combination selections, installation instructions and warranty information, please refer to Product Data/Ratings and/or Installers Guides and Limited Warranty Handbooks.

# Multi-Speed Heat Pumps Single Phase – 2-5 Tons

## PRIORITY



**5TWX7**  
(Multi-Speed)

**Table SH-3-A – 17 Multi-Speed Heat Pump with WeatherGuard™ (70/100% capacity) R-454B**

Model Number	Power Supply	Nom. Cap. Cooling (BTUH)	Uncrated Dimensions (in.)			Shipping Weight (lbs.)	Sound Rating (Cool)** (Heat)		MCA*	Max. Fuse*	Service Valve Connection Size† (in)	
			H	W	D		OD Gas	OD Liq.				
5TWX7024A1000*	208/230/1/60	24,000	46	30	33	200	63/72	69/73	*	*	3/4	5/16
5TWX7036A1000*	208/230/1/60	36,000	46	30	33	213	66/72	72/74	*	*	3/4	5/16
5TWX7048A1000*	208/230/1/60	48,000	46	34	37	254	66/74	74/75	*	*	7/8	5/16
5TWX7060A1000*	208/230/1/60	60,000	46	34	37	264	68/72	72/74	*	*	7/8	3/8



**5TWR7**  
(Multi-Speed)

**Table SH-3-B – 17 Multi-Speed Heat Pump (70/100% capacity) R-454B**

Model Number	Power Supply	Nom. Cap. Cooling (BTUH)	Uncrated Dimensions (in.)			Shipping Weight (lbs.)	Sound Rating (Cool)** (Heat)		MCA*	Max. Fuse*	Service Valve Connection Size† (in)	
			H	W	D		OD Gas	OD Liq.				
5TWR7024A1000*	208/230/1/60	24,000	41	30	33	200	63/72	69/73	*	*	3/4	5/16
5TWR7036A1000*	208/230/1/60	36,000	41	30	33	213	66/72	72/74	*	*	3/4	5/16
5TWR7048A1000*	208/230/1/60	48,000	41	34	37	254	66/74	74/75	*	*	7/8	5/16
5TWR7060A1000*	208/230/1/60	60,000	41	34	37	264	68/72	72/74	*	*	7/8	3/8

\* Please confirm with current Product Data/Service Facts for current factory production.

\*\* Rated in accordance with AHRI Standard 270-2008

† For alternative line set sizes, please refer to the Application Guide or the Refrigerant Piping Program on ComfortSite. Visit page SH-1 to scan the QR code to launch the Refrigerant Piping Program Application.

# Multi-Speed Heat Pumps Single Phase – 2-5 Tons

## PRIORITY

**Table SH-4-A – Features**

	5TWS7	5TWR7
• SEER2 up to .....	18.0	17.1
• HSPF2 up to .....	11.0	11.0
• Climatuff™ compressor.....	✓	✓
• Number of speeds up to ①.....	6	6
• Comfort-R™ mode approved .....	✓	✓
• DuraTuff™ base, fast complete drain, weatherproof.....	✓	✓
• Quick-Sess™ cabinet, service access & refrigerant connections with full coil protection .....	✓	✓
• Spine Fin™ coil .....	✓	✓
• Weatherguard™ II top.....	✓	—
• Compressor sump heat .....	✓	✓
• Factory supplied charge.....	R-454B	R-454B
• Glossy corrosion resistant finish.....	✓	✓
• High pressure switch .....	✓	✓
• Low pressure switch .....	✓	✓
• Liquid line filter drier - factory installed or field supplied .....	✓	✓
• Seacoast shield - factory installed.....	✓	—
• Tarpaulin gray cabinet .....	✓	✓
• 10-year registered limited warranty on compressor, outdoor coil & all other functional parts (Residential Use)* .....	—	✓
• 12-year registered limited warranty on compressor, 10-year on outdoor coil & all other functional parts (Residential Use)* .....	✓	—
• Extended warranties available.....	✓	✓

① Depending on ambient conditions to improve reliable operation.

\* Registered Limited Warranty terms are available when you register within 60 days of installation. You can register online at [Trane.com](http://Trane.com) or by phone at 855-260-2975, otherwise Trane's Base Limited Warranty terms will apply. Base Limited Warranty information on specific products can be found on [Comfortsite.com](http://Comfortsite.com). Product Registration and Registration Transfer exclusions vary in the US from state to state and in Canada from province to province. To determine if there are specific exclusions for your state or province check your local laws.

**Table SH-4-B – Optional Accessories**

Model Number	Description	Shipping Weight	5TWS7	5TWR7
BAYISLT101 .....	Rubber Isolators.....	1.....	✓	✓
BAYLEGS007 .....	Snow Legs - 7" High (Black).....	1.....	✓	✓
BAYLEGS004 .....	Snow Legs - 4" High (Black).....	1.....	✓	✓
BAYSEAC001 .....	Seacoast Kit .....	8.....	—	✓
TAYSVPANL3343AA... ..	Service Valve Panel Cover Kit .....	2.....	—	2-3
TAYSVPANL0044AA... ..	Service Valve Panel Cover Kit .....	2.....	—	4-5
BAYVDTA003 .....	Vertical Discharge Air Kit Base 3.....	10.....	2-3	—
BAYVDTA004 .....	Vertical Discharge Air Kit Base 4.....	10.....	4-5	—
BAYECMT003 .....	Extreme Conditions Mounting Kit (Base 3).....	2.....	2-3	2-3
BAYECMT004 .....	Extreme Conditions Mounting Kit (Base 4).....	2.....	4-5	4-5
PAI00309②.....	Heresite Spraypaint.....	1.....	✓	✓
BAYTWGR0004 .....	WeatherGuard™ Top - Fits unit base size of (W x D) of 37" X 34" .....	.....	—	4-5
BAYTWGR0003 .....	WeatherGuard™ Top - Fits unit base size of (W x D) of 33" X 30" .....	.....	—	2-3
TR02LGFCI25 .....	25 Amp GFCI Kit.....	.....	③	③
TR02LGFCI30 .....	30 Amp GFCI Kit.....	.....	③	③
TR04LGFCI35 .....	35 Amp GFCI Kit.....	.....	③	③
TR04LGFCI40 .....	40 Amp GFCI Kit.....	.....	③	③

② Used for additional seacoast corrosion protection. Refer to bulletin number UN-SVB11A-EN for application information.

③ Please reference Installers Guides for compatible model sizes.

### Comfort Controls – See Comfort Controls/Zone Sensors Section

# Single Stage Heat Pumps Single Phase – 1½-5 Tons

## CHOICE



**5TWX6**  
(Single Stage)

**Table SH-5-A — 16 Single-Stage Heat Pump with WeatherGuard™ - R-454B**

Model Number	Power Supply	Nom. Cap. Cooling (BTUH)	Uncrated Dimensions (in.)			Shipping Weight (lbs.)	Sound** Rating	MCA*	Max. Fuse*	Service Valve Connection Size¹ (in)	
			H	W	D					OD Gas	OD Liq.
5TWX6018A1000*	208-230/1/60	18,000	38	33	30	218	71	*	*	3/4	5/16
5TWX6024A1000*	208-230/1/60	24,000	38	33	30	218	71	*	*	3/4	5/16
5TWX6030A1000*	208-230/1/60	30,000	38	33	30	218	71	*	*	3/4	5/16
5TWX6036A1000*	208-230/1/60	36,000	38	37	34	266	70	*	*	3/4	5/16
5TWX6042A1000*	208-230/1/60	42,000	52	37	34	311	72	*	*	7/8	5/16
5TWX6048A1000*	208-230/1/60	48,000	52	37	34	311	72	*	*	7/8	5/16
5TWX6060A1000*	208-230/1/60	60,000	52	37	34	311	72	*	*	7/8	5/16



**5TWX5**  
(Single Stage)

**Table SH-5-B — 15 Single-Stage Heat Pump with WeatherGuard™ - R-454B**

Model Number	Power Supply	Nom. Cap. Cooling (BTUH)	Uncrated Dimensions (in.)			Shipping Weight (lbs.)	Sound** Rating	MCA*	Max. Fuse*	Service Valve Connection Size¹ (in)	
			H	W	D					OD Gas	OD Liq.
5TWX5018A1000*	208-230/1/60	18,000	38	33	30	218	71	*	*	3/4	5/16
5TWX5024A1000*	208-230/1/60	24,000	38	33	30	218	71	*	*	3/4	5/16
5TWX5030A1000*	208-230/1/60	30,000	38	33	30	218	71	*	*	3/4	5/16
5TWX5036A1000*	208-230/1/60	36,000	38	37	34	266	70	*	*	3/4	5/16
5TWX5042A1000*	208-230/1/60	42,000	52	37	34	311	72	*	*	7/8	5/16
5TWX5048A1000*	208-230/1/60	48,000	52	37	34	311	72	*	*	7/8	5/16
5TWX5060A1000*	208-230/1/60	60,000	52	37	34	311	72	*	*	7/8	5/16



**5TWR6**  
(Single Stage)

**Table SH-5-C — 16 Single-Stage Heat Pump - R-454B**

Model Number	Power Supply	Nom. Cap. Cooling (BTUH)	Uncrated Dimensions (in.)			Shipping Weight (lbs.)	Sound** Rating	MCA*	Max. Fuse*	Service Valve Connection Size¹ (in)	
			H	W	D					OD Gas	OD Liq.
5TWR6018A1000*	208-230/1/60	18,000	33	30	33	208	71	*	*	3/4	5/16
5TWR6024A1000*	208-230/1/60	24,000	33	30	33	208	71	*	*	3/4	5/16
5TWR6030A1000*	208-230/1/60	30,000	33	30	33	208	71	*	*	3/4	5/16
5TWR6036A1000*	208-230/1/60	36,000	33	34	37	256	70	*	*	3/4	5/16
5TWR6042A1000*	208-230/1/60	42,000	45	34	37	301	72	*	*	7/8	5/16
5TWR6048A1000*	208-230/1/60	48,000	45	34	37	301	72	*	*	7/8	5/16
5TWR6060A1000*	208-230/1/60	60,000	45	34	37	301	72	*	*	7/8	5/16



**5TWR5**  
(Single Stage)

**Table SH-5-D — 15 Single-Stage Heat Pump - R-454B**

Model Number	Power Supply	Nom. Cap. Cooling (BTUH)	Uncrated Dimensions (in.)			Shipping Weight (lbs.)	Sound** Rating	MCA*	Max. Fuse*	Service Valve Connection Size¹ (in)	
			H	W	D					OD Gas	OD Liq.
5TWR5018A1000*	208-230/1/60	18,000	33	30	33	208	71	*	*	3/4	5/16
5TWR5024A1000*	208-230/1/60	24,000	33	30	33	208	71	*	*	3/4	5/16
5TWR5030A1000*	208-230/1/60	30,000	33	30	33	208	71	*	*	3/4	5/16
5TWR5036A1000*	208-230/1/60	36,000	33	34	37	256	70	*	*	3/4	5/16
5TWR5042A1000*	208-230/1/60	42,000	45	34	37	301	72	*	*	7/8	5/16
5TWR5048A1000*	208-230/1/60	48,000	45	34	37	301	72	*	*	7/8	5/16
5TWR5060A1000*	208-230/1/60	60,000	45	34	37	301	72	*	*	7/8	5/16



**5TWR4**  
(Single Stage)

**Table SH-5-E — 14 Single-Stage Heat Pump - R-454B**

Model Number	Power Supply	Nom. Cap. Cooling (BTUH)	Uncrated Dimensions (in.)			Shipping Weight (lbs.)	Sound** Rating	MCA*	Max. Fuse*	Service Valve Connection Size¹ (in)	
			H	W	D					OD Gas	OD Liq.
5TWR4018A1000*	208/230/1/60	18,000	33	30	33	208	71	*	*	3/4	5/16
5TWR4024A1000*	208/230/1/60	24,000	33	30	33	208	71	*	*	3/4	5/16
5TWR4030A1000*	208/230/1/60	30,000	33	30	33	208	71	*	*	3/4	5/16
5TWR4036A1000*	208/230/1/60	36,000	33	34	37	256	70	*	*	3/4	5/16
5TWR4042A1000*	208/230/1/60	42,000	45	34	37	301	72	*	*	7/8	5/16
5TWR4048A1000*	208/230/1/60	48,000	45	34	37	301	72	*	*	7/8	5/16
5TWR4060A1000*	208/230/1/60	60,000	45	34	37	301	72	*	*	7/8	5/16

\* Please confirm with current Product Data/Service Facts for current factory production.

# Single Stage Heat Pumps

## Single Phase – 1½-5 Tons

### CHOICE

**Table SH-6-A – Features**

	5TWS6	5TWS5	5TWS6	5TWS5	5TWS4
• SEER2 up to .....	17.0	17.0	17.0	17.0	14.3
• HSPF2 up to .....	8.5	8.5	8.5	8.5	7.5
• Climatuff™ compressor.....	✓	✓	✓	✓	✓
• Number of stages .....	1	1	1	1	1
• Comfort-R™ mode approved .....	✓	✓	✓	✓	✓
• DuraTuff™ base, fast complete drain, weatherproof.....	✓	✓	✓	✓	✓
• Quick-Sess™ cabinet, service access & refrigerant connections with full coil protection .....	✓	✓	✓	✓	✓
• Spine Fin™ coil .....	✓	✓	✓	✓	✓
• Weatherguard™ II top.....	✓	✓	✓	✓	✓
• Factory supplied charge.....	R-454B	R-454B	R-454B	R-454B	R-454B
• Glossy corrosion resistant finish.....	✓	✓	✓	✓	✓
• High pressure switch .....	✓	✓	✓	✓	✓
• Low pressure switch .....	✓	✓	✓	✓	✓
• Internal high / low pressure & temperature protection .....	✓	✓	✓	✓	✓
• Liquid line filter drier - factory installed or field supplied .....	✓	✓	✓	✓	✓
• Seacoast shield - factory installed.....	✓	✓	✓	✓	✓
• Tarpaulin gray cabinet .....	✓	✓	✓	✓	✓
• 10-year registered limited warranty on compressor, outdoor coil and all other functional parts (Residential Use)*.....	—	—	✓	✓	✓
• 12-year registered limited warranty on compressor, 10-year on outdoor coil and all other functional parts (Residential Use)* .....	✓	✓	—	—	—
• Extended warranties available.....	✓	✓	✓	✓	✓

\* Registered Limited Warranty terms are available when you register within 60 days of installation. You can register online at Trane.com or by phone at 855-260-2975, otherwise Trane's Base Limited Warranty terms will apply. Base Limited Warranty information on specific products can be found on Comfortsite.com. Product Registration and Registration Transfer exclusions vary in the US from state to state and in Canada from province to province. To determine if there are specific exclusions for your state or province check your local laws.

**Table SH-6-B – Optional Accessories**

Model Number	Description	Shipping Weight	5TWS6	5TWS5	5TWS6	5TWS5	5TWS4
AY28X084.....	Evap. Defrost Control Kit .....	1.....	✓	✓	✓	✓	✓
BAYCCHT301RES .....	Crankcase Heater Kit.....	1.....	—	—	3½-5	3½-5	3½-5
BAYCCHT302RES .....	Crankcase Heater Kit.....	1.....	—	—	1½-3	1½-3	1½-3
BAYECMT023 .....	Extreme Conditions Mounting Kit (Base 2/3) .....	2.....	1½-2½	1½-2½	1½-2½	1½-2½	1½-2½
BAYECMT004 .....	Extreme Conditions Mounting Kit (Base 4).....	2.....	3-5	3-5	3-5	3-5	3-5
BAYISLT101 .....	Rubber Isolators.....	1.....	✓	✓	✓	✓	✓
BAYLEGS007 .....	Snow Legs - 7" High (Black).....	1.....	✓	✓	✓	✓	✓
BAYLEGS004 .....	Snow Legs - 4" High (Black).....	1.....	✓	✓	✓	✓	✓
BAYLOAM107A .....	Low Ambient Kit.....	1.....	✓	✓	✓	✓	✓
BAYSDEN001 .....	Small Scroll Compressor Enclosures.....	8.....	1½-3	1½-3	1½-3	1½-3	1½-3
BAYSDEN004 .....	Large Scroll Compressor Enclosures .....	8.....	3½-5	3½-5	3½-5	3½-5	3½-5
BAYSEAC001 .....	Seacoast Kit .....	1.....	—	—	✓	✓	✓
TAYSVPANL3343AA ....	Service Valve Panel Cover Kit .....	2.....	1½-3	1½-3	1½-3	1½-3	1½-3
TAYSVPANL0046AA ....	Service Valve Panel Cover Kit .....	2.....	3½-5	3½-5	3½-5	3½-5	3½-5
TAYASCT501A①② .....	Anti-Short Cycle Timer.....	2.....	✓	✓	✓	✓	✓
PAI00309③ .....	Heresite Spraypaint.....	1.....	✓	✓	✓	✓	✓
BAYVDTA003 .....	Vertical Discharge Air Kit Base 3.....	10.....	1½-2½	1½-2½	—	—	—
BAYVDTA004 .....	Vertical Discharge Air Kit Base 4.....	10.....	3-5	3-5	—	—	—
BAYTWGR0004 .....	WeatherGuard™ Top - Fits unit base size of (W x D) of 37" X 34" .....	—	—	—	3-5	3-5	3-5
BAYTWGR0003 .....	WeatherGuard™ Top - Fits unit base size of (W x D) of 33" X 30" .....	—	—	—	1½-2½	1½-2½	1½-2½
TR02LGFCI25 .....	25 Amp GFCI Kit.....	—	④	④	④	④	④
TR02LGFCI30 .....	30 Amp GFCI Kit.....	—	④	④	④	④	④
TR04LGFCI35 .....	35 Amp GFCI Kit.....	—	④	④	④	④	④
TR04LGFCI40 .....	40 Amp GFCI Kit.....	—	④	④	④	④	④

① Do not use with programmable thermostats.

② Activated on Power Off.

③ Used for additional seacoast corrosion protection. Refer to bulletin number UN-SVB11A-EN for application information.

④ Please reference Installers Guides for compatible model sizes.

**Comfort Controls – See Comfort Controls/Zone Sensors Section**

# Single Stage Heat Pumps Three Phase – 3-5 Tons

## CHOICE



**5TWA4**  
**(Single Stage)**  
**3-Phase**

**Table SH-7-A – 14 Single-Stage Heat Pump - R-454B – Three Phase**

Model Number	Power Supply	Nom. Cap. Cooling (BTUH)	Uncrated Dimensions (in.)			Shipping Weight (lbs.)	Sound** Rating	MCA*	Max. Fuse*	Service Valve Connection Size <sup>†</sup> (in.)	
			H	W	D					OD Gas	OD Liq.
5TWA4036A3000*	208/230/3/60	36,000	33	34	37	256	70	*	*	3/4	5/16
5TWA4042A3000*	208/230/3/60	42,000	45	34	37	301	72	*	*	7/8	5/16
5TWA4048A3000*	208/230/3/60	48,000	45	34	37	301	72	*	*	7/8	5/16
5TWA4060A3000*	208/230/3/60	60,000	45	34	37	301	72	*	*	7/8	5/16
5TWA4036A4000*	460/3/60	36,000	33	34	37	256	70	*	*	3/4	5/16
5TWA4042A4000*	460/3/60	42,000	45	34	37	301	72	*	*	7/8	5/16
5TWA4048A4000*	460/3/60	48,000	45	34	37	301	72	*	*	7/8	5/16
5TWA4060A4000*	460/3/60	60,000	45	34	37	301	72	*	*	7/8	5/16

\* Please confirm with current Product Data/Service Facts for current factory production.

\*\* Rated in accordance with AHRI Standard 270-2008.

† For alternative line set sizes, please refer to the Application Guide or the Refrigerant Piping Program on ComfortSite. Visit page SH-1 to scan the QR code to launch the Refrigerant Piping Program Application.

**Table SH-7-B – Features**

	5TWA4
• SEER2 up to .....	16.0
• HSPF2 up to .....	8.1
• Climatuff™ compressor.....	✓
• Comfort-R™ mode approved.....	✓
• DuraTuff™ base, fast complete drain, weatherproof.....	✓
• Quick-Sess™ cabinet, service access & refrigerant connections with full coil protection.....	✓
• Spine Fin™ coil .....	✓
• Compressor sump heat - factory installed .....	✓
• Refrigerant.....	R-454B
• Glossy corrosion resistant finish.....	✓
• High pressure switch .....	✓
• Low pressure switch .....	✓
• Liquid line filter drier - factory supplied .....	✓
• 5-year basic limited warranty on compressor, 1-year on outdoor coil & all other functional parts (Commercial Use) .....	✓
• Extended warranties available.....	✓

\* Registered Limited Warranty terms are available when you register within 60 days of installation. You can register online at Trane.com or by phone at 855-260-2975, otherwise Trane's Base Limited Warranty terms will apply. Base Limited Warranty information on specific products can be found on Comfortsite.com. Product Registration and Registration Transfer exclusions vary in the US from state to state and in Canada from province to province. To determine if there are specific exclusions for your state or province check your local laws.

**Table SH-7-C – Optional Accessories**

Model Number	Description	Shipping Weight	
AY28X084.....	Evaporator Defrost Control HP .....	1.....	✓
BAYECMT004 .....	Extreme Conditions Mounting Kit (Base 4) .....	2.....	3-5
BAYISLT101 .....	Rubber Isolators .....	1.....	✓
BAYLEGS007 .....	Snow Legs - 7" High (Black) .....	1.....	✓
BAYLEGS004 .....	Snow Legs - 4" High (Black) .....	1.....	✓
BAYLOAM107A .....	Low Ambient Kit.....	1.....	✓
BAYSDEN001 .....	Small Scroll Compressor Enclosures .....	8.....	3
BAYSDEN004 .....	Large Scroll Compressor Enclosures.....	8.....	3½-5
BAYSEAC001 .....	Seacoast Kit .....	1.....	✓
TAYASCT501A①② .....	Anti-short cycle timer .....	2.....	✓
TAYSVPANL0046AA ....	Service Valve Panel Cover Kit .....	2.....	3½-5
TAYSVPANL3343AA ....	Service Valve Panel Cover Kit .....	2.....	3
BAYAWGR004.....	WeatherGuard™ Top - Fits unit base size of (W x D) of 37" X 34" .....	.....	✓

### Comfort Controls – See Comfort Controls/Zone Sensors Section

- ① Do not use with programmable thermostats.
- ② Activated on Power Off.

# Multi-Speed Low Profile Heat Pumps 2-5 Tons

**Table SH-8-A – 19 Multi-Speed Low Profile Cold Climate Heat Pump R-454B**

Model Number	Power Supply	Nom. Cap. Cooling (BTUH)	Uncrated Dimensions (in.)			Shipping Weight (lbs.)	Sound Rating		MCA	Max. Fuse	Service Valve Connection Size (in)	
			H	W	D		Cool	Heat			OD Gas	OD Liq.
5HCL9024A1000*	208-230/1/64	24,000	52	41	14	257	52	53	*	*	5/8	3/8
5HCL9036A1000*	208-230/1/65	36,000	52	41	14	257	52	53	*	*	5/8	3/8
5HCL9048A1000*	208-230/1/66	48,000	52	41	14	297	60	62	*	*	5/8	3/8

**Table SH-8-B – 17 Multi-Speed Low Profile Cold Climate Heat Pump R-454B**

Model Number	Power Supply	Nom. Cap. Cooling (BTUH)	Uncrated Dimensions (in.)			Shipping Weight (lbs.)	Sound Rating		MCA	Max. Fuse	Service Valve Connection Size (in)	
			H	W	D		Cool	Heat			OD Gas	OD Liq.
5HCL6024A1000*	208-230/1/60	24,000	52	41	14	257	52	53	*	*	5/8	3/8
5HCL6036A1000*	208-230/1/61	36,000	52	41	14	257	52	53	*	*	5/8	3/8
5HCL6048A1000*	208-230/1/62	48,000	52	41	14	297	60	62	*	*	5/8	3/8

**Table SH-8-C – 19 Multi-Speed Low Profile Heat Pump R-454B**

Model Number	Power Supply	Nom. Cap. Cooling (BTUH)	Uncrated Dimensions (in.)			Shipping Weight (lbs.)	Sound Rating		MCA	Max. Fuse	Service Valve Connection Size (in)	
			H	W	D		Cool	Heat			OD Gas	OD Liq.
5HPL9024A1000*	208-230/1/74	24,000	37	37	14	178	49	52	*	*	5/8	3/8
5HPL9036A1000*	208-230/1/75	36,000	52	41	14	250	52	53	*	*	5/8	3/8
5HPL9048A1000*	208-230/1/76	48,000	52	41	14	291	60	62	*	*	5/8	3/8
5HPL9060A1000*	208-230/1/77	60,000	52	41	14	291	60	62	*	*	5/8	3/8

**Table SH-8-D – 17 Multi-Speed Low Profile Heat Pump R-454B**

Model Number	Power Supply	Nom. Cap. Cooling (BTUH)	Uncrated Dimensions (in.)			Shipping Weight (lbs.)	Sound Rating		MCA	Max. Fuse	Service Valve Connection Size (in)	
			H	W	D		Cool	Heat			OD Gas	OD Liq.
5HPL6024A1000*	208-230/1/69	24,000	34	33	13	135	55	55	*	*	1/4	3/8
5HPL6036A1000*	208-230/1/70	36,000	34	33	13	135	55	55	*	*	1/4	3/8
5HPL6048A1000*	208-230/1/71	48,000	52	41	14	291	60	62	*	*	5/8	3/8
5HPL6060A1000*	208-230/1/72	60,000	52	41	14	291	60	62	*	*	3/4	3/8

5HPL9/5HCL9 Heat pumps are paired exclusively with 5TEM9 Indoor AHU  
 5HPL6/5HCL6 Heat pumps are paired exclusively with 5TEM7 Indoor AHU

**Table SH-8-E – 16 Multi-Speed Low Profile Cold Climate Heat Pump R-454B**

Model Number	Power Supply	Nom. Cap. Cooling (BTUH)	Uncrated Dimensions (in.)			Shipping Weight (lbs.)	Sound Rating		MCA	Max. Fuse	Service Valve Connection Size (in)	
			H	W	D		Cool	Heat			OD Gas	OD Liq.
5HCL5036B1000*	208/230/1/60	24,000 - 36,000	37.8	39	14.6	211.6	61	61	*	*	3/4	3/8
5HCL5060B1000*	208/230/1/61	48,000 - 54,000	49.6	35.4	13.4	263.5	63	63	*	*	3/4	3/8

\* Capacity is configurable with Dip Switch

**Table SH-8-F – 16 Multi-Speed Low Profile Heat Pump R-454B**

Model Number	Power Supply	Nom. Cap. Cooling (BTUH)	Uncrated Dimensions (in.)			Shipping Weight (lbs.)	Sound** Rating	MCA*	Max. Fuse*	Service Valve Connection Size† (in)	
			H	W	D					OD Gas	OD Liq.
5HPL5024A1000*	208/230/1/60	24,000	31	39	17	146	58	*	*	3/4	3/8
5HPL5036A1000*	208/230/1/60	36,000	34	43	19	192	60	*	*	3/4	3/8
5HPL5048A1000*	208/230/1/60	48,000	53	41	16	260	66	*	*	7/8	3/8
5HPL5060A1000*	208/230/1/60	60,000	53	41	16	260	68	*	*	7/8	3/8

\* Please confirm with current Product Data/Service Facts for current factory production.

\*\* Rated in accordance with AHRI Standard 270-2015.

† For alternative line set sizes, please refer to the Application Guide or the Refrigerant Piping Program on ComfortSite. Visit page SH-1 to scan the QR code to launch the Refrigerant Piping Program Application.



**5HCL6 / 5HCL9**  
(Multi-Speed)



**5HPL6 / 5HPL9**  
(Multi-Speed)



**5HCL5**  
(Multi-Speed)



**5HPL5**  
(Multi-Speed)



# Multi-Speed Low Profile Heat Pumps 2-5 Tons

**Table SH-9-A — Features**

	5HCL9	5HCL6	5HPL9	5HPL6	5HCL5	5HPL5
• SEER2 Up to .....	20.2	18.6	19.5	19.5	19.5	16.0
• HSPF2 Up to .....	9.2	9.1	9.2	9.4	10	8.1
• Number of speeds .....	Multi	Multi	Multi	Multi	Multi	Multi
• Number of stages .....	Multi	Multi	Multi	Multi	Multi	2 Cool 3 Heat
• Comfort-R™ mode approved .....	—	—	—	—	—	✓
• Plate Fin coil .....	✓	✓	✓	✓	✓	✓
• Seacoast protection .....	✓	✓	✓	✓	✓	—
• Cold climate .....	✓	✓	✓	✓	✓	✓
• 24 Volt Control .....	✓	✓	✓	✓	✓	✓
• Factory Charged (ft) .....	100	25	100	100	100	25
• High pressure switch .....	✓	✓	✓	✓	✓	✓
• Low pressure switch .....	✓	✓	✓	✓	✓	✓
• Inverter Driven Compressor .....	✓	✓	✓	✓	✓	✓
• Dual Fuel Capable .....	✓	—	✓	✓	—	✓
• Enhanced Defrost Technology .....	✓	✓	✓	✓	✓	—
• All Electric Capable .....	✓	✓	✓	✓	✓	—
• 10-year registered limited warranty on compressor, outdoor coil & all other functional parts (Residential Use)* .....	—	—	✓	✓	—	✓
• 12-year limited warranty on compressor, 10-year on outdoor coil & all other functional parts with registration* .....	✓	✓	—	—	✓	—
• Extended warranties available .....	✓	✓	✓	✓	✓	✓

\* Registered Limited Warranty terms are available when you register within 60 days of installation. You can register online at [Trane.com](http://Trane.com) or by phone at 855-260-2975, otherwise Trane's Base Limited Warranty terms will apply. Base Limited Warranty information on specific products can be found on [Comfortsite.com](http://Comfortsite.com). Product Registration and Registration Transfer exclusions vary in the US from state to state and in Canada from province to province. To determine if there are specific exclusions for your state or province check your local laws.

**Table SH-9-B — Optional Accessories**

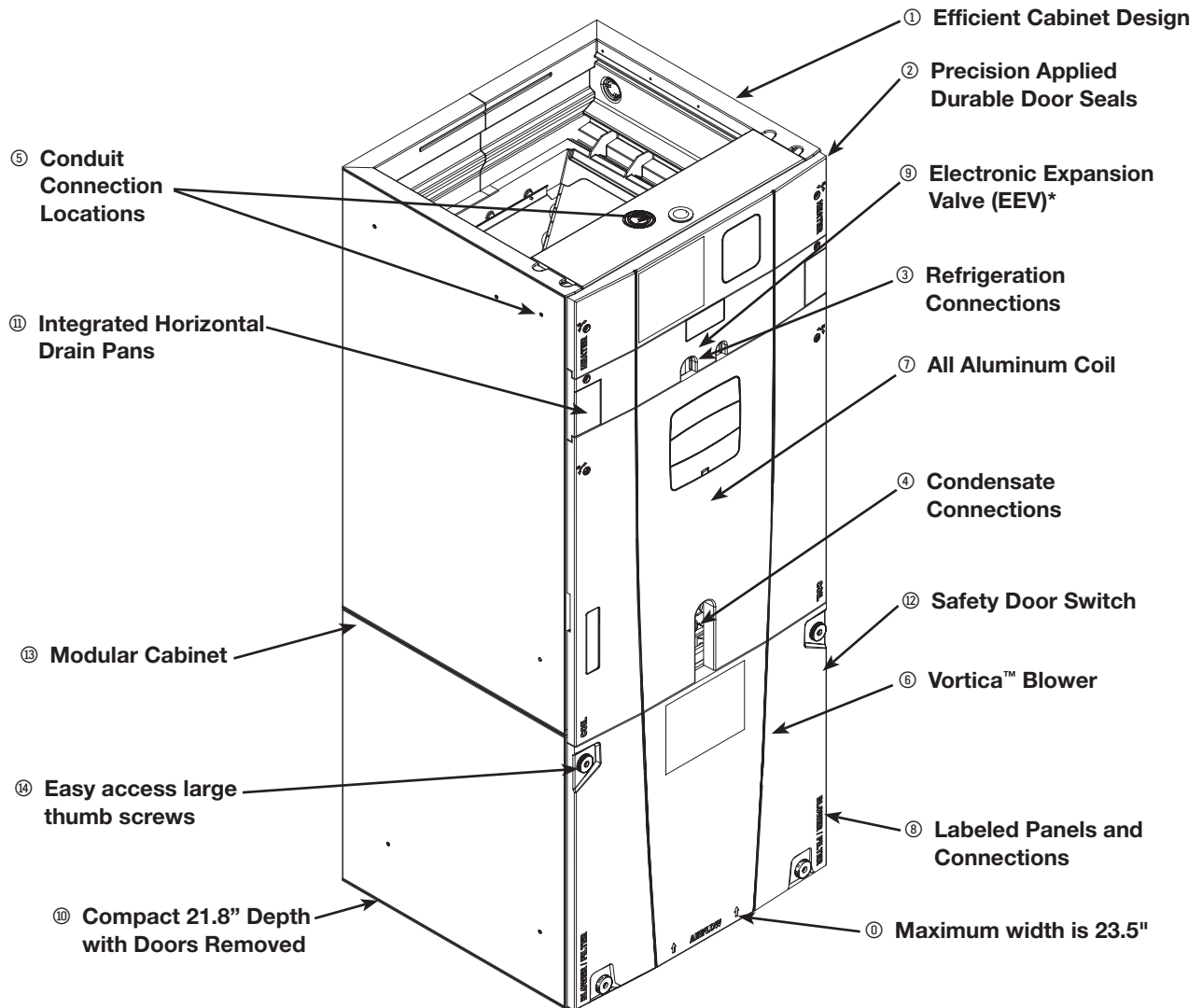
Model Number	Description	5HCL9	5HCL6	5HPL9	5HPL6	5HCL5	5HPL5
TR02LGFCI25 .....	25 Amp GFCI Kit .....	Ⓛ	Ⓛ	Ⓛ	Ⓛ	Ⓛ	Ⓛ
TR02LGFCI30 .....	30 Amp GFCI Kit .....	Ⓛ	Ⓛ	Ⓛ	Ⓛ	Ⓛ	Ⓛ
TR04LGFCI35 .....	35 Amp GFCI Kit .....	Ⓛ	Ⓛ	Ⓛ	Ⓛ	Ⓛ	Ⓛ
TR04LGFCI40 .....	40 Amp GFCI Kit .....	Ⓛ	Ⓛ	Ⓛ	Ⓛ	Ⓛ	Ⓛ

Ⓛ Please reference Installers Guides for compatible model sizes.

**Comfort Controls — See Comfort Controls/Zone Sensors Section**

# Hyperion 5TAMX Features and Benefits

## PREMIER



### ① Efficient Cabinet Design

- Double wall foamed cabinet system
- Waterproof Cabinet Design (No Thermal Breakage)
- $\geq$  R-4.2 Insulating Value
- Composite Cabinet Doors
- Sweat Eliminating Cabinet Design
- Loose Fiber Eliminating Design
- Smooth Cleanable Cabinet Design

### ② Precision Applied Durable Door Seals

### ③ Refrigeration Connections

### ④ Condensate Connections

- ### ⑤ Conduit Connection Locations
- Dimples in cabinet mark Conduit Connection Locations for Left, Right, and Top

### ⑥ Vortica™ Blower

- Polarized Plug Connections
- Integrated Slide Deck for Easy Removal

### ⑦ All Aluminum Coil

- Integrated Slide Deck for Easy Removal
- Polarized Plug connections on Coil EEV
- Patented Enhanced Coil Fin

### ⑧ Labeled Panels and Connections

### ⑨ Electronic Expansion Valve (EEV)\*

- Low Ambient and Low Superheat Compressor Protection
- Dual Refrigerant Compatible as Shipped

### ⑩ Maximum width is 23.5"

### ⑪ Compact 21.8" Depth with Doors Removed

### ⑫ Integrated Horizontal Drain Pans

### ⑬ Safety Door Switch - Fused 24V Power

### ⑭ Modular Cabinet

### ⑮ Easy access large thumb screws

\* This applies to TAM9 and TAMX only.

# Hyperion, 5TAMX Variable Speed Multi-Position Air-Tite™ Air Handlers 2-5 Tons

## PREMIER



Table AH-2-A — PREMIER – R-454B Trane Link™ or 24V Hyperion Variable Speed Air Handler 208-230/1/60

Model Number	Rated Capacity Range (BTUH)	Dimensions (in.) H x W x D	Shipping Weight (lbs.)	Supply Opening	Return Opening	Filter Sizes ①	Service Valve Connection Size† (in.)	
							Gas	Liquid
5TAMXB02AV21DA	18K - 24K	49.9 x 17.5 x 21.8	126	14.5 x 14.35	14.5 x 17.15	16 x 20 x 1	3/4	3/8
5TAMXC03AV31DA	18K - 30K	55.7 x 21.3 x 21.8	150	18.4 x 14.35	18.4 x 17.15	20 x 20 x 1	3/4	3/8
5TAMXD04AV31DA	24K - 42K	56.9 x 23.5 x 21.8	163	20.5 x 14.35	20.5 x 17.15	22 x 20 x 1	7/8	3/8
5TAMXD05AV41DA	36K - 48K	61.8 x 23.5 x 21.8	174	20.5 x 14.35	20.5 x 17.15	22 x 20 x 1	7/8	3/8
5TAMXD06AV41DA	42K - 60K	61.8 x 23.5 x 21.8	176	20.5 x 14.35	20.5 x 17.15	22 x 20 x 1	7/8	3/8
5TAMXD07AV51DA	42K - 60K	61.8 x 23.5 x 21.8	180	20.5 x 14.35	20.5 x 17.15	22 x 20 x 1	7/8	3/8

① Filter not supplied

† For alternative line set sizes, please refer to the Application Guide or the Refrigerant Piping Program on ComfortSite. Visit page SH-1 to scan the QR code to launch the Refrigerant Piping Program Application.





# Hyperion, 5TAMX Variable Speed Multi-Position Air-Tite™ Air Handlers 2-5 Tons

## PREMIER

Table AH-3-A – Features

	PREMIER 5TAMX
• Compatible refrigerant.....	R-454B
• Trane® Link or 24 Volt control.....	✓
• Capability to connect to Trane Link mobile application to conduct setup, view diagnostics, error codes, and more .....	✓
• Comfort R™ mode.....	✓ <sup>①</sup>
• Efficient cabinet design .....	✓
– 2% or less air leakage .....	✓
– Precision applied - durable door seals.....	✓
– Specially designed air seal around refrigerant, condensate and conduit connections .....	✓
– Double wall foamed cabinet system.....	✓
– ≥ R-4.2 insulating value .....	✓
– No loose fiber design.....	✓
– Smooth cleanable interior design .....	✓
– Sweat eliminating design .....	✓
– Composite cabinet doors.....	✓
– Integrated horizontal drain pans.....	✓
– Modular cabinet.....	✓
• Multi-position up/down flow horizontal left/right.....	✓
• Side return option (sold as accessory) .....	✓
• UVC light kit with safety switch and polarized plug connections (sold as accessory) .....	✓
• Alert code notification in Trane Link mode .....	✓
• Low voltage terminal connection point.....	✓
• Vortica® blower with polarized plug connections and integrated slide deck for easy removal.....	✓
• Aluminum coil with integrated slide deck for easy removal and polarized plug connections on coil EEV .....	✓
• Patented enhanced coil fin .....	✓
• Epoxy coated coil.....	✓
• Electronic Expansion Valve (EEV) with low ambient and low superheat compressor protection.....	✓
• Slide in electric heaters with polarized plug connections (sold as accessory).....	✓
• Slide in hot water coils with polarized plug connections (sold as accessory).....	✓
• Labeled panels and connections .....	✓
• Molded in 1" standard filter rail .....	✓
• Direct drive, variable speed ECM blower motor - Constant airflow ECM (electronically commutated motor).....	✓
• Soft start fan motor operation.....	✓
• Built in fan delay modes .....	✓
• Maximum width of 23.5" .....	✓
• Compact 21.8" depth with doors removed .....	✓
• Fused 24v power .....	✓
• 10-year limited warranty/parts with registration* .....	✓
• 10-year limited warranty/coil with registration* .....	✓

① Comfort R mode is configurable through the tech app on 5TAMX products  
 \* Registered Limited Warranty terms are available when you register within 60 days of installation. You can register online at Trane.com or by phone at 855-260-2975, otherwise Trane's Base Limited Warranty terms will apply. Base Limited Warranty information on specific products can be found on Comfortsite.com. Product Registration and Registration Transfer exclusions vary in the US from state to state and in Canada from province to province. To determine if there are specific exclusions for your state or province check your local laws.



# Hyperion, 5TAMX Variable Speed Multi-Position Air-Tite™ Air Handlers 2-5 Tons

## PREMIER

Table AH-4-A — Optional Accessories

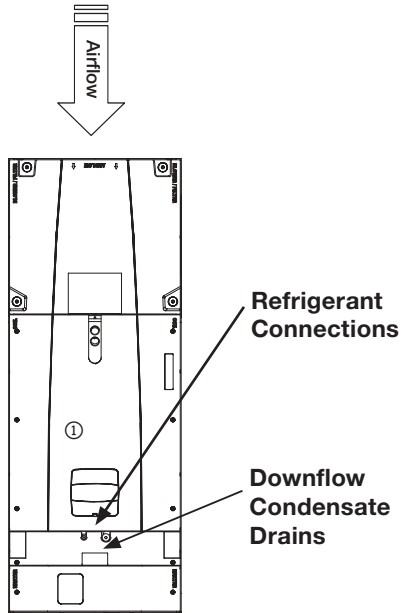
Model Number	Description	Matches Cabinet Size (in.)	5TAMX
BAYSUPFLGAA	Supply Duct Flange 17.5"	17.5"	✓*
BAYSUPFLGBA	Supply Duct Flange 21.0"	21.0"	✓
BAYSUPFLGCA	Supply Duct Flange 23.5"	23.5"	✓
BAYRETFLGAA	Return Duct Flange 17.5"	17.5"	✓
BAYRETFLGBA	Return Duct Flange 21.0"	21.0"	✓
BAYRETFLGCA	Return Duct Flange 23.5"	23.5"	✓
BAYSRKIT100A	Side Return Kit	17.5", 21.0", 23.5"	✓
BAYFLR1620A	High Velocity Filter Kit, 16" X 20' X 1" (10 filters)	17.5"	✓
BAYFLR2020A	High Velocity Filter Kit, 20" X 20' X 1" (10 filters)	21.0"	✓
BAYFLR2220A	High Velocity Filter Kit, 22" X 20' X 1" (10 filters)	23.5"	✓
TASB175SB ②③	Plenum Stand with Integrated Sound Baffle 17.5"	17.5"	✓
TASB215SB ②③	Plenum Stand with Integrated Sound Baffle 21.0"	21.0"	✓
TASB235SB ②③	Plenum Stand with Integrated Sound Baffle 23.5"	23.5"	✓
TAYBASETAMA	Downflow Sub-Base Kit	17.5", 21.0", 23.5"	✓
BAYBAFKT175A ④	Sound Baffle Kit for 17.5" Cabinet	17.5"	✓
BAYBAFKT215A ④	Sound Baffle Kit for 21.0" Cabinet	21.0"	✓
BAYBAFKT235A ④	Sound Baffle Kit for 23.5" Cabinet	23.5"	✓
TASSBK175 ②⑤⑥	Sound Baffle Kit for 17.5" Cabinet	17.5"	✓
TASSBK215 ②⑤⑥	Sound Baffle Kit for 21.0" Cabinet	21.0"	✓
TASSBK235 ②⑤⑥	Sound Baffle Kit for 23.5" Cabinet	23.5"	✓
BAYICKSKIT01A	Internal Condensate Switch Kit	17.5", 21.0", 23.5"	✓
BAYHHKIT001A	Horizontal Hanger Kit	17.5", 21.0", 23.5"	✓
BAYUVCLK001A	UVC Lights	17.5", 21.0", 23.5"	✓
BAYLVKIT100A	Low Voltage Conduit Entry Kit	17.5", 21.0", 23.5"	✓
BAYSPEKT200A	Single Point Power Entry Kit	21.0", 23.5"	✓
BAYWAAA05SC1AA	Hydronic heater, 17.5" cabinet, no control, slide-in	17.5"	✓
BAYWABB07SC1AA	Hydronic heater, 21.0" cabinet, no control, slide-in	21.0"	✓
BAYWACC08SC1AA	Hydronic heater, 23.5" cabinet, no control, slide-in	23.5"	✓
BAYWACC11SC1AA	Hydronic heater, 23.5" cabinet, no control, external	23.5"	✓
BAYWACNTKT05	Relay Kit for use with BAYWAAA05SC1A	17.5"	✓
BAYWACNTKT07	Relay Kit for use with BAYWABB07SC1A	21.0"	✓
BAYWACNTKT08	Relay Kit for use with BAYWACC08SC1A	23.5"	✓
BAYWACNTKT11	Relay Kit for use with BAYWACC11SC1A	23.5"	✓
BAYINSKT175A	Solcoustic® Liner Kit - 17.5" Cabinet	17.5"	✓
BAYINSKT215A	Solcoustic® Liner Kit - 21.5" Cabinet	21.0"	✓
BAYINSKT235A	Solcoustic® Liner Kit - 23.5" Cabinet	23.5"	✓
BAYCNDPIP01A	3/4" PVC Threaded Pipe Kit Foam Seal (10 per box)	17.5", 21.0", 23.5"	✓
BAYSENSC360	Supply Air Temperature Sensor	17.5", 21.0", 23.5"	✓

- ① Model number may have either of the pairs of characters in parenthesis.
- ② Contact your distributor for information.
- ③ In open air applications, the plenum stand with sound baffle provides sound reduction.
- ④ Mounts inside air handler filter channel.
- ⑤ In return plenum applications, use TASSBK for sound reduction.
- ⑥ Mounts to TASB original plenum stand without integrated baffle.

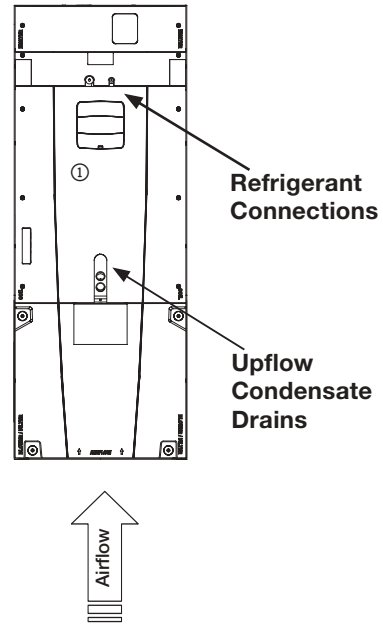
# Hyperion 5TAM5 Multi-position Air Handler

## PRIORITY

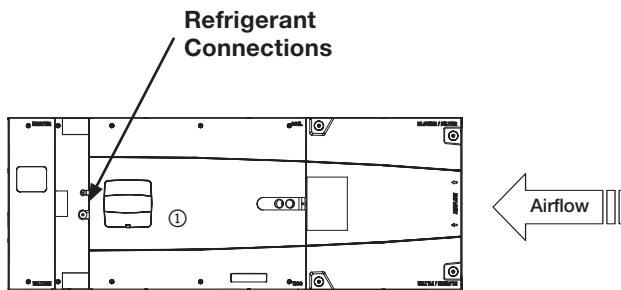
① Badge rotation will keep brand in correct position



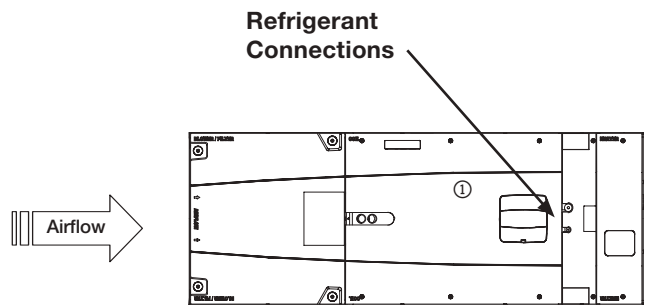
**Vertical Downflow**



**Vertical Upflow  
(as shipped)**



**Horizontal Left**



**Horizontal Right**

# Hyperion, 5TAM5 Multi-Position Air Handlers Single Phase 1½-5 Tons

## PRIORITY



**Table AH-6-A – PRIORITY – R-454B Multi-Position Constant Torque Hyperion Air Handler 208-230/1/60**

Model Number	Rated Capacity Range (BTUH)	Dimensions (in.) H x W x D	Shipping Weight (lbs.)	Supply Opening	Return Opening	Filter Sizes ①	Service Valve Connection Size† (in.)	
							Gas	Liquid
5TAM5B01AC21SA	18K - 24K	49.9 x 17.5 x 21.8	126	14.5 x 14.35	14.5 x 17.15	16 x 20 x 1	¾	¾
5TAM5B02AC21SA	18K - 24K	49.9 x 17.5 x 21.8	126	14.5 x 14.35	14.5 x 17.15	16 x 20 x 1	¾	¾
5TAM5C03AC21SA	24K - 36K	55.8 x 21.3 x 21.8	150	18.4 x 14.35	18.4 x 17.15	20 x 20 x 1	¾	¾
5TAM5C04AC31SA	24K - 36K	55.8 x 21.3 x 21.8	150	18.4 x 14.35	18.4 x 17.15	20 x 20 x 1	¾	¾
5TAM5D05AC31SA	36K - 48K	56.9 x 23.5 x 21.8	163	20.5 x 14.35	20.5 x 17.15	22 x 20 x 1	7/8	¾
5TAM5D06AC41SA	42K - 60K	61.8 x 23.5 x 21.8	176	20.5 x 14.35	20.5 x 17.15	22 x 20 x 1	7/8	¾
5TAM5D07AC51SA	48K - 60K	61.8 x 23.5 x 21.8	180	20.5 x 14.35	20.5 x 17.15	22 x 20 x 1	7/8	¾

① Filter not supplied

† For alternative line set sizes, please refer to the Application Guide or the Refrigerant Piping Program on ComfortSite. Visit page SH-1 to scan the QR code to launch the Refrigerant Piping Program Application.

**Table AH-6-B – Features**

	PRIORITY 5TAM5 1½-5
• Compatible refrigerant.....	R-454B
• Efficient cabinet design .....	✓
– 2% or less air leakage .....	✓
– Precision applied - durable door seals.....	✓
– Specially designed air seal around refrigerant, condensate and conduit connections .....	✓
– Double wall foamed cabinet system.....	✓
– ≥ r-4.2 insulating value.....	✓
– No loose fiber design.....	✓
– Smooth cleanable interior design .....	✓
– Sweat eliminating design .....	✓
– Composite cabinet doors.....	✓
– Integrated horizontal drain pans .....	✓
– Modular cabinet.....	✓
• Multi-position up/down flow horizontal left/right.....	✓
• UVC light kit with safety switch and polarized plug connections (sold as accessory) .....	✓
• Side return option (sold as accessory) .....	✓
• Low voltage pigtail connections .....	✓
• Vortica® blower with polarized plug connections and integrated slide deck for easy removal .....	✓
• Aluminum coil with integrated slide deck for easy removal .....	✓
• Patented enhanced coil fin .....	✓
• Epoxy coated coil.....	✓
• R-454B TXV .....	✓
• Slide in electric heaters with polarized plug connections (sold as accessory).....	✓
• Labeled panels and connections .....	✓
• Molded in 1" standard filter rail .....	✓
• Direct drive, multi-speed ECM blower motor - Constant torque ECM (electronically commutated motor).....	✓
• Maximum width of 23.5" .....	✓
• Compact 21.8" depth with doors removed.....	✓
• Fused 24v power .....	✓
• 10-year limited warranty/parts with registration* .....	✓
• 10-year limited warranty/coil with registration* .....	✓

\* Registered Limited Warranty terms are available when you register within 60 days of installation. You can register online at Trane.com or by phone at 855-260-2975, otherwise Trane's Base Limited Warranty terms will apply. Base Limited Warranty information on specific products can be found on Comfortsite.com. Product Registration and Registration Transfer exclusions vary in the US from state to state and in Canada from province to province. To determine if there are specific exclusions for your state or province check your local laws.



# Hyperion, 5TAM5 Multi-Position Air Handlers Single Phase 1½-5 Tons

## PRIORITY

Table AH-7-A — Optional Accessories

Model Number	Description	Matches Cabinet Size (in.)	PRIORITY 5TAM5
BAYSUPFLGAA	Supply Duct Flange 17.5"	17.5"	✓
BAYSUPFLGBA	Supply Duct Flange 21.0"	21.0"	✓
BAYSUPFLGCA	Supply Duct Flange 23.5"	23.5"	✓
BAYRETLGAA	Return Duct Flange 17.5"	17.5"	✓
BAYRETLGBA	Return Duct Flange 21.0"	21.0"	✓
BAYRETLGCA	Return Duct Flange 23.5"	23.5"	✓
BAYSRKIT100A	Side Return Kit	17.5", 21.0", 23.5"	✓
BAYFLR1620A	High Velocity Filter Kit, 16" X 20' X 1" (10 filters)	17.5"	✓
BAYFLR2020A	High Velocity Filter Kit, 20" X 20' X 1" (10 filters)	21.0"	✓
BAYFLR2220A	High Velocity Filter Kit, 22" X 20' X 1" (10 filters)	23.5"	✓
TASB175SB ②③	Plenum Stand with Integrated Sound Baffle 17.5"	17.5"	✓
TASB215SB ②③	Plenum Stand with Integrated Sound Baffle 21.0"	21.0"	✓
TASB235SB ②③	Plenum Stand with Integrated Sound Baffle 23.5"	23.5"	✓
BAYBAFKT175A ④	Sound Baffle Kit for 17.5" Cabinet	17.5"	✓
BAYBAFKT215A ④	Sound Baffle Kit for 21.0" Cabinet	21.0"	✓
BAYBAFKT235A ④	Sound Baffle Kit for 23.5" Cabinet	23.5"	✓
TASSBK175 ②⑤⑥	Sound Baffle Kit for 17.5" Cabinet	17.5"	✓
TASSBK215 ②⑤⑥	Sound Baffle Kit for 21.0" Cabinet	21.0"	✓
TASSBK235 ②⑤⑥	Sound Baffle Kit for 23.5" Cabinet	23.5"	✓
BAYHHKIT001A	Horizontal Hanger Kit	17.5", 21.0", 23.5"	✓
BAYUVCLK001A	UVC Lights	17.5", 21.0", 23.5"	✓
BAYLVKIT100A	Low Voltage Conduit Entry Kit	17.5", 21.0", 23.5"	✓
BAYSPEKT200A	Single Point Power Entry Kit	21.0", 23.5"	✓
BAYWAAA05SC1AA	Hydronic heater, 17.5" cabinet, no control, slide-in	17.5"	✓
BAYWABB07SC1AA	Hydronic heater, 21.0" cabinet, no control, slide-in	21.0"	✓
BAYWACC08SC1AA	Hydronic heater, 23.5" cabinet, no control, slide-in	23.5"	✓
BAYWACC11SC1AA	Hydronic heater, 23.5" cabinet, no control, external	23.5"	✓
BAYINSKT175A	Solcoustic® Liner Kit - 17.5" Cabinet	17.5"	✓
BAYINSKT215A	Solcoustic® Liner Kit - 21.5" Cabinet	21.0"	✓
BAYINSKT235A	Solcoustic® Liner Kit - 23.5" Cabinet	23.5"	✓
BAYCNDPIP01A	¾" PVC Threaded Pipe Kit Foam Seal (10 per box)	17.5", 21.0", 23.5"	✓

- ① Model number may have either of the pairs of characters in parenthesis.
- ② Contact your distributor for information.
- ③ In open air applications, the plenum stand with sound baffle provides sound reduction.
- ④ Mounts inside air handler filter channel.
- ⑤ In return plenum applications, use TASSBK for sound reduction.
- ⑥ Mounts to TASB original plenum stand without integrated baffle.

# Heaters for Hyperion Multi-Position Air Handlers

**Table AH-8-A — BAYEA — Heater, Standard, for Hyperion 5TAMX and 5TAM5 Air Handlers**

Heater Model Number	Capacity @ 240 Volts		Capacity @ 208 Volts		Rated Voltage	Control Stages	Number of Heater Racks	Number of Circuits	Heater Amps per Circuit		Contains Circuit Breakers
	kW	BTUH	kW	BTUH					208 Volts	240Volt	
BAYEA(AC/13)04BK1AA	3.84	13100	2.88	9800	208/240/1/60	1	1	1	13.8	16	Yes
BAYEA(AC/13)04LG1AA	3.84	13100	2.88	9800	208/240/1/60	1	1	1	13.8	16	No
BAYEA(AC/13)05BK1AA	4.80	16400	3.60	12300	208/240/1/60	1	1	1	17.3	20	Yes
BAYEA(AC/13)05LG1AA	4.80	16400	3.60	12300	208/240/1/60	1	1	1	17.3	20	No
BAYEA(AC/13)08BK1AA	7.68	26200	5.76	19700	208/240/1/60	2	2	1	27.7	32	Yes
BAYEA(AC/13)08LG1AA	7.68	26200	5.76	19700	208/240/1/60	2	2	1	27.7	32	No
BAYEA(AC/13)10BK1AA	9.60	32800	7.20	24600	208/240/1/60	2	2	1	34.6	40	Yes
BAYEA(AC/13)10LG1AA	9.60	32800	7.20	24600	208/240/1/60	2	2	1	34.6	40	No
BAYEA(BC/23)15BK1AA	14.40	49200	10.80	36900	208/240/1/60	3	3	2	34.6/17.3	40/20	Yes
BAYEA(BC/23)20BK1AA	19.20	65600	14.40	49200	208/240/1/60	3	4	2	34.6/34.6	40/40	Yes
BAYEA(CC/33)25BK1AA	24.00	82000	18.00	61500	208/240/1/60	3	5	3	34.6/34.6/17.3	40/40/20	Yes

BK = Contains circuit breakers  
LG = Contains lug connections

**Table AH-8-B — BAYEA — Heater, 3-Phase, for Hyperion 5TAMX and 5TAM5 Air Handlers ①**

Heater Model Number	Capacity @ 240 Volts		Capacity @ 208 Volts		Rated Voltage	Control Stages	Number of Heater Racks	Number of Circuits	Heater Amps per Circuit		Contains Circuit Breakers
	kW	BTUH	kW	BTUH					208 Volts	240Volt	
BAYEA(AC/13)10LG3AA	9.60	32800	7.20	24600	208/240/3/60	1	3	1	20.0	23.1	No
BAYEA(BC/23)15LG3AA	14.40	49200	10.80	36900	208/240/3/60	1	3	1	30.0	34.6	No

① 3-Phase - W1, W2, W3 must be jumpered at low voltage connector

# Heaters for Hyperion Multi-Position Air Handlers

**Table AH-9-A — Air Handler/Heater Matrix**

AIR HANDLER MODEL NUMBER	HEATER MODEL NUMBER BAYEA-										
	(AC/13)04BK1AA 3.84 kW BK	(AC/13)04LG1AA 3.84 kW LG	(AC/13)05BK1AA 4.80 kW BK	(AC/13)05LG1AA 4.80 kW LG	(AC/13)08BK1AA 7.68 kW BK	(AC/13)08LG1AA 7.68 kW LG	(AC/13)10BK1AA 9.60 kW BK	(AC/13)10LG1AA 9.60 kW LG	(BC/23)15BK1AA 14.40 kW BK	(BC/23)20BK1AA 19.20 kW BK	(CC/33)25BK1AA 24.00 kW BK
5TAMXB02AV21	Y	Y	Y	Y	Y	Y	Y	Y	-	-	-
5TAMXC03AV31	Y	Y	Y	Y	Y	Y	Y	Y	Y	-	-
5TAMXD04AV31	Y	Y	Y	Y	Y	Y	Y	Y	Y	Y	-
5TAMXD05AV41	Y	Y	Y	Y	Y	Y	Y	Y	Y	Y	-
5TAMXD06AV41	Y	Y	Y	Y	Y	Y	Y	Y	Y	Y	Y
5TAMXD07AV51	Y	Y	Y	Y	Y	Y	Y	Y	Y	Y	Y
5TAM5B01AC21	Y	Y	Y	Y	Y	Y	Y	Y	-	-	-
5TAM5B02AC21	Y	Y	Y	Y	Y	Y	Y	Y	-	-	-
5TAM5C03AC21	Y	Y	Y	Y	Y	Y	Y	Y	Y	-	-
5TAM5C04AC31	Y	Y	Y	Y	Y	Y	Y	Y	Y	-	-
5TAM5D05AC31	Y	Y	Y	Y	Y	Y	Y	Y	Y	-	-
5TAM5D06AC41	Y	Y	Y	Y	Y	Y	Y	Y	Y	Y	Y
5TAM5D07AC51	Y	Y	Y	Y	Y	Y	Y	Y	Y	Y	Y

BK = Contains circuit breakers  
LG = Contains lug connections

**Table AH-9-B — Air Handler/Heater Matrix (continued)**

AIR HANDLER MODELNUMBER	3 PHASE HEATER MODEL NUMBER BAYEA-	
	(AC/13)10LG3AA 9.60 kW LG	(BC/23)15LG3AA 14.40 kW LG
5TAMXB02AV21	Y	-
5TAMXC03AV31	Y	Y
5TAMXD04AV31	Y	Y
5TAMXD05AV41	Y	Y
5TAMXD06AV41	Y	Y
5TAMXD07AV51	Y	Y
5TAM5B01AC21	Y	-
5TAM5B02AC21	Y	-
5TAM5C03AC21	Y	Y
5TAM5C04AC31	Y	Y
5TAM5D05AC31	Y	Y
5TAM5D06AC41	Y	Y
5TAM5D07AC51	Y	Y

LG = Contains lug connections

# 5TEM Split System Air Handlers Single Phase 1½-5 Tons

## PREMIER



**Table AH-10-A – PREMIER – R-454B TruComfort™ Variable Speed Air Handler 208-230/1/60**

Model Number	Rated Capacity Range (BTUH)	Dimensions (in.) H x W x D	Shipping Weight (lbs.)	Supply Opening	Return Opening	Filter Sizes	Service Valve Connection Size† (in.)	
							Gas	Liquid
5TEMCB02AV21DA	18K - 24K	46.77 x 18.5 x 21.13	126	12.15 x 16.50	18.75 x 16.75	①	¾	⅜
5TEMCB03AV31DA	18K - 30K	46.77 x 18.5 x 21.13	126	12.15 x 16.50	18.75 x 16.75	①	¾	⅜
5TEMCD04AV31DA	24K - 42K	51.27 x 23.5 x 21.13	155	12.15 x 21.50	18.75 x 21.75	①	7/8	⅜
5TEMCD05AV41DA	36K - 48K	51.27 x 23.5 x 21.13	155	12.15 x 21.50	18.75 x 21.75	①	7/8	⅜
5TEMCD06AV41DA	36K - 60K	57.40 x 23.5 x 21.13	185	12.15 x 21.50	18.75 x 21.75	①	7/8	⅜
5TEMCD07AV51DA	42K - 60K	57.40 x 23.5 x 21.13	185	12.15 x 21.50	18.75 x 21.75	①	7/8	⅜

① Filter not supplied. Remote filter required.

† For alternative line set sizes, please refer to the Application Guide or the Refrigerant Piping Program on ComfortSite. Visit page SH-1 to scan the QR code to launch the Refrigerant Piping Program Application.

## PRIORITY



**Table AH-10-B – PRIORITY – R-454B Variable Speed Air Handler 208-230/1/60**

Model Number	Rated Capacity Range (BTUH)	Dimensions (in.) H x W x D	Shipping Weight (lbs.)	Supply Opening	Return Opening	Filter Sizes	Service Valve Connection Size† (in.)	
							Gas	Liquid
5TEM6B02AV21SA	18K - 24K	46.77 x 18.5 x 21.13	126	12.15 x 16.50	18.75 x 16.75	①	¾	⅜
5TEM6B03AV21SA	18K - 30K	46.77 x 18.5 x 21.13	126	12.15 x 16.50	18.75 x 16.75	①	¾	⅜
5TEM6D04AV31SA	24K - 42K	51.27 x 23.5 x 21.13	155	12.15 x 21.50	18.75 x 21.75	①	7/8	⅜
5TEM6D05AV41SA	36K - 48K	51.27 x 23.5 x 21.13	155	12.15 x 21.50	18.75 x 21.75	①	7/8	⅜
5TEM6D06AV41SA	36K - 60K	57.40 x 23.5 x 21.13	185	12.15 x 21.50	18.75 x 21.75	①	7/8	⅜
5TEM6D07AV51SA	42K - 60K	57.40 x 23.5 x 21.13	185	12.15 x 21.50	18.75 x 21.75	①	7/8	⅜

① Filter not supplied. Remote filter required.

† For alternative line set sizes, please refer to the Application Guide or the Refrigerant Piping Program on ComfortSite. Visit page SH-1 to scan the QR code to launch the Refrigerant Piping Program Application.

## CHOICE



**Table AH-10-C – CHOICE – R-454B Air Handler 208-230/1/60**

Model Number	Rated Capacity Range (BTUH)	Dimensions (in.) H x W x D	Shipping Weight (lbs.)	Supply Opening	Return Opening	Filter Sizes	Service Valve Connection Size† (in.)	
							Gas	Liquid
5TEM4B02AC21SA	18K - 24K	45.13 x 18.5 x 21.13	116	12.15 x 16.5	18.75 x 16.75	①	¾	⅜
5TEM4B03AC31SA	18K - 30K	46.77 x 18.5 x 21.13	126	12.15 x 16.5	18.75 x 16.75	①	¾	⅜
5TEM4D04AC31SA	24K - 42K	51.27 x 23.5 x 21.13	145	12.15 x 21.5	18.75 x 21.75	①	7/8	⅜
5TEM4D05AC41SA	36K - 48K	51.27 x 23.5 x 21.13	145	12.15 x 21.5	18.75 x 21.75	①	7/8	⅜
5TEM4D06AC41SA	36K - 48K	51.27 x 23.5 x 21.13	155	12.15 x 21.5	18.75 x 21.75	①	7/8	⅜
5TEM4D07AC51SA	42K - 60K	57.40 x 23.5 x 21.13	185	12.15 x 21.5	18.75 x 21.75	①	7/8	⅜

① Filter not supplied. Remote filter required.

† For alternative line set sizes, please refer to the Application Guide or the Refrigerant Piping Program on ComfortSite. Visit page SH-1 to scan the QR code to launch the Refrigerant Piping Program Application.



# 5TEM Split System Air Handlers Single Phase 1½-5 Tons

**Table AH-11-A — Features**

	PREMIER 5TEMC 2-5	PRIORITY 5TEM6 2-5	CHOICE 5TEM4 2-5
• Trane Link™ II or 24V operation.....	✓	—	—
• Direct drive, variable speed ECM blower motor - Constant airflow ECM (electronically commutated).....	✓	✓	—
• Direct drive, multi-speed ECM blower motor - Constant torque ECM (electronically commutated motor).....	—	—	✓
• R-4.2 Insulating Value .....	✓	✓	✓
• Multi-Position UP/Down Flow, Horizontal Left /Right.....	✓	✓	✓
• All Aluminum Coil with Enhanced Patented Coil Fin .....	✓	✓	✓
• Electric Heaters with polarized plug connections (sold as accessory) .....	✓	✓	✓
• R-454B Thermal Expansion Valve.....	✓	✓	✓
• Low Voltage Pigtail Connections .....	✓	✓	✓
• Draw Through Design .....	✓	✓	✓
• Horizontal Drain pan .....	✓	✓	✓
• Single Color .....	✓	✓	✓
• Fused 24V Power .....	✓	✓	✓
• Wipeable interior design.....	✓	✓	✓
• Soft start fan motor operation .....	✓	✓	—
• Comfort R™ mode.....	✓	✓	—
• Painted metal cabinet with captured foil face insulation.....	✓	✓	✓
• 2% or less air leakage .....	✓	✓	✓
• Built in fan delay modes.....	✓	✓	—
• Maximum Width 21.13" or less.....	✓	✓	✓
• Compact 22" depth .....	✓	✓	✓
• Approved for manufactured home use .....	✓	✓	✓
• 10-year limited warranty/parts with registration* .....	✓	✓	✓
• 10-year limited warranty/coil with registration* .....	✓	✓	✓

\* Registered Limited Warranty terms are available when you register within 60 days of installation. You can register online at Trane.com or by phone at 855-260-2975, otherwise Trane's Base Limited Warranty terms will apply. Base Limited Warranty information on specific products can be found on Comfortsite.com. Product Registration and Registration Transfer exclusions vary in the US from state to state and in Canada from province to province. To determine if there are specific exclusions for your state or province check your local laws.

**Table AH-11-B — Optional Accessories**

Model Number	Description	Matches Cabinet Size(s)	5TEMC	5TEM6	5TEM4
BAYTEMSPFG1A.....	Supply Duct Flange Kit .....	18.5" and 23.5" ...	✓	✓	✓
BAYSPEKT201A .....	Single Point Power Entry Kit .....	18.5" and 23.5" ...	✓	✓	✓
TAYBASE185.....	Air Handler Downflow Sub-Bases.....	18.5" .....	✓	✓	✓
TAYBASE235 (TAYBASE 100) ..	Air Handler Downflow Sub-Bases.....	23.5" .....	✓	✓	✓
BAYSF1185AAA.....	Slim Fit Filter Box .....	18.5" .....	✓	✓	✓
BAYSF1235AAA.....	Slim Fit Filter Box .....	23.5" .....	✓	✓	✓
FLRSF1185 .....	1" Slim Fit Replacement Filter, 17.75"x19.75", Qty 12.....	18.5" .....	✓	✓	✓
FLRSF1235 .....	1" Slim Fit Replacement Filter, 22.75"x19.75", Qty 12.....	23.5" .....	✓	✓	✓
TEMBRKSEALKT01A.....	Breaker Seal Kit for sure with BAYHTR15 4kW — 20kW Heaters .....	18.5" and 23.5" ...	✓	✓	✓
BAYAHEMIKIT001 .....	Air handler Electronic Noise Kit used on Variable Speed Blower Motor ..	18.5" and 23.5" ...	✓	✓	✓
BAYAH120VKT.....	120V Conversion Kit.....	18.5" and 23.5" ...	—	✓	—



It's Hard To Stop A Trane.®

# Heaters for 5TEM Split System Air Handlers

**Table AH-12-A – BAYHTR15 – Heater, Standard, for 5TEM Air Handlers**

Heater Model Number	Capacity @ 240 Volts		Capacity @ 208 Volts		Rated Control	Voltage Stages	Number of Heater Racks	Number of Circuits	Heater Amps per Circuit		Contains Circuit Breakers
	kW	BTUH	kW	BTUH					208 Volts	240 Volts	
BAYHTR1504BRKC	3.84	13100	2.88	9800	208/240/1/60	1	1	1	13.8	16	Yes
BAYHTR1504LUGB	3.84	13100	2.88	9800	208/240/1/60	1	1	1	13.8	16	No
BAYHTR1505BRKC	4.80	16400	3.60	12300	208/240/1/60	1	1	1	17.3	20	Yes
BAYHTR1505LUGB	4.80	16400	3.60	12300	208/240/1/60	1	1	1	17.3	20	No
BAYHTR1508BRKC	7.68	26200	5.76	19700	208/240/1/60	1	1	1	27.7	32	Yes
BAYHTR1508LUGB	7.68	26200	5.76	19700	208/240/1/60	1	1	1	27.7	32	No
BAYHTR1510BRKC	9.60	32800	7.20	24600	208/240/1/60	1	2	1	34.6	40	Yes
BAYHTR1510LUGB	9.60	32800	7.20	24600	208/240/1/60	1	2	1	34.6	40	No
BAYHTR1517BRKA	14.4	49200	10.8	36900	208/240/1/60	2	3	2	51.9	60	Yes
BAYHTR1523BRKA	19.2	65600	14.4	49200	208/240/1/60	2	4	2	69.2	80	Yes
BAYHTR1525BRKA	24.0	82000	18.0	61600	208/240/1/60	2	4	2	86.4	100	Yes

BRK = Contains circuit breakers  
LUG = Lug connections

**Table AH-12-B – BAYHTR35 – Heater, 3-Phase, for 5TEM Air Handlers ①**

Heater Model Number	Capacity @ 240 Volts		Capacity @ 208 Volts		Rated Control	Voltage Stages	Number of Heater Racks	Number of Circuits	Heater Amps per Circuit		Contains Circuit Breakers
	kW	BTUH	kW	BTUH					208 Volts	240 Volts	
BAYHTR3510LUGC	9.60	32800	7.20	24600	208/240/3/60	1	3	1	20.0	23.1	No
BAYHTR3517LUGA	14.4	49200	10.8	36900	208/240/3/60	1	3	1	30.0	34.6	No

BRK = Contains circuit breakers  
LUG = Lug connections

① 3-Phase - W1 and W2 must be jumpered at low voltage connector



# Heater Matches for 5TEM Split System Air Handlers with metal blower housing

**Table AH-13-A – 5TEMC and 5TEM6 Air Handler and Heater matches**

5TEMC, 5TEM6 HEATER MATRIX										
AIR HANDLER	HEATER MODEL NUMBER									
MODELNUMBER	BAYHTR1504BRKC BAYHTR1504LUGB 3.84 kW	BAYHTR1505BRKC BAYHTR1505LUGB 4.80 kW	BAYHTR1508BRKC BAYHTR1508LUGB 7.68 kW	BAYHTR1510BRKC BAYHTR1510LUGB 9.60 kW	BAYHTR1517BRKA 14.40 kW	BAYHTR1523BRKA 19.20 kW	BAYHTR1525BRKA 24.00 kW	BAYHTR3510LUGC 9.60 kW	BAYHTR3517LUGA 14.40 kW	
5TEMCB02AV21DA 5TEMCB03AV31DA 5TEM6B02AV21SA 5TEM6B03AV21SA	Y	Y	Y	Y	Y	-	-	Y	Y	
5TEMCD04AV31DA 5TEMCD05AV41DA 5TEM6D04AV31SA 5TEM6D05AV41SA	Y	Y	Y	Y	Y	Y	-	Y	Y	
5TEMCD06AV41DA 5TEMCD07AV51DA 5TEM6D06AV41SA 5TEM6D07AV51SA	Y	Y	Y	Y	Y	Y	Y	Y	Y	

**Table AH-13-B – 5TEM4 Air Handler and Heater matches**

5TEM4 HEATER MATRIX							
AIR HANDLER	HEATER MODEL NUMBER						
MODEL NUMBER	BAYHTR1504BRKC BAYHTR1504LUGB 3.84 kW	BAYHTR1505BRKC BAYHTR1505LUGB 4.80 kW	BAYHTD1508BRKC BAYHTR1508LUGB 7.68 kW	BAYHTR1510BRKC BAYHTR1510LUGB 9.60 kW	BAYHTR1517BRKA BAYHTR3517LUGA 14.40 kW	BAYHTR1523BRKA 19.20 kW	BAYHTR1525BRKA 24.00 kW
5TEM4B02AC21SA	Y	Y	Y	-	-	-	-
5TEM4B03AC31SA	Y	Y	Y	Y	-	-	-
5TEM4D04AC31SA	Y	Y	Y	Y	Y	-	-
5TEM4D05AC41SA	Y	Y	Y	Y	Y	-	-
5TEM4D06AC41SA	Y	Y	Y	Y	Y	Y	Y
5TEM4D07AC51SA	Y	Y	Y	Y	Y	Y	Y

# 5TMM5 Wall, Stud, or Over the Water Heater Mount Air Handlers Single Phase 1½-3 Tons

## CHOICE



**Table AH-14-A — CHOICE - 5TMM5 R-454B Wall, Stud, or Over the Water Heater Mount Air Handler 208-230/1/60, ECM Motor, all aluminum coil, Cooling & Limited Heating**

Unit Model No.	Cooling Capacity (Btuh)	Dimensions (in.) H x W x D	Shipping Weight (lbs.)	Supply Opening	Filter Sizes	Service Valve Connection Size† (in.)	
						Gas	Liquid
5TMM5B0A30M21SA	18K-30K	36x20.5x15	80	12 x 9.25	14 x 18 x 1Ⓢ	¾	⅜
5TMM5B0B30M21SA	18K-30K	40.5x22x18.75	102	10 x 8.25	20 x 20 x 1Ⓢ	¾	⅜
5TMM5B0B36M31SA	30K-36K	40.5x22x18.75	102	11.5 x 10	20 x 20 x 1Ⓢ	¾	⅜
5TMM5B0C36M31SA	30K-36K	36x24x21	90	12 x 12	20 x 20 x 1Ⓢ	¾	⅜

Ⓢ Filter included. Remote filter required.

† For alternative line set sizes, please refer to the Application Guide or the Refrigerant Piping Program on ComfortSite. Visit page SH-1 to scan the QR code to launch the Refrigerant Piping Program Application.

**Table AH-14-B — Features**

	5TMM5 1.5-3
• Painted metal cabinet with captured foil face insulation .....	✓
• 2% or less air leakage .....	✓
• All aluminum coil .....	✓
• Direct drive, multi-speed ECM blower motor - Constant torque ECM (electronically commutated motor) with fan-off time delay programming.....	✓
• Limited HP matched system ratings .....	✓
• R-4.2 Insulating Value .....	✓
• Upflow only .....	✓
• Front return option .....	✓
• Electric Heaters with polarized plug connections (sold as accessory) .....	✓
• Factory Installed R-454B Thermal Expansion Valve.....	✓
• Low Voltage Pigtail Connections .....	✓
• Single Color .....	✓
• Fused 24V Power .....	✓
• Wipeable interior design.....	✓
• Maximum Height 40.5".....	✓
• Maximum Width 24" .....	✓
• Compact 21" depth .....	✓
• 10-year functional parts warranty with product registration* .....	✓
• Commercial Applications: Limited Warranty. All other functional parts 1 year .....	✓

\* Registered Limited Warranty terms are available when you register within 60 days of installation. You can register online at Trane.com or by phone at 855-260-2975, otherwise Trane's Base Limited Warranty terms will apply. Base Limited Warranty information on specific products can be found on Comfortsite.com. Product Registration and Registration Transfer exclusions vary in the US from state to state and in Canada from province to province. To determine if there are specific exclusions for your state or province check your local laws.

## Heaters for 5TMM5 Split System Air Handlers

**Table AH-14-C — BAYHTRM — Heater, Standard, for 5TMM Air Handlers**

Air Handler	Heater Model Number	Capacity@ 240 Volts		Capacity@ 208 Volts		Rated Voltage	Control Stages	Number of Heater Racks	Number of Circuits	Heater Amps per Circuit		Contains Circuit Breakers
		kW	BTUH	kW	BTUH					208 Volts	240Volt	
5TMM5B0A30M21SA & 5TMM5B0B30M21SA	BAYHTRA505BRK	4.8	12600	3.6	16400	208/240/1/60	1	1	1	17.30	20.00	Yes
	BAYHTRA508BRK	8	20500	6	27300	208/240/1/60	1	2	1	28.80	33.30	Yes
	BAYHTRA510BRK	9.6	24500	7.2	32800	208/240/1/60	1	2	1	34.60	40.00	Yes
5TMM5B0C36M31SA & 5TMM5B0B36M31SA	BAYHTRA505BRK	4.8	12600	3.6	16400	208/240/1/60	1	1	1	17.30	20.00	Yes
	BAYHTRA508BRK	8	20500	6	27300	208/240/1/60	1	2	1	28.80	33.30	Yes
	BAYHTRA510BRK	9.6	24500	7.2	32800	208/240/1/60	1	2	1	34.60	40.00	Yes

For complete equipment combination selections, see Ratings. For detailed product information, see Product and Submittal Data or Installation, Operation, and Maintenance manual. For warranty information, please see Base Limited Warranty.

# 120V Modular Variable Speed Air Handler

## PRIORITY



**POVO**

**Table AH-15-A – PRIORITY - 120V Modular Variable Speed Air Handler**

Model Number	Nominal Airflow (Tons)	Blower Motor	Uncrated Dimensions (in.)			Shipping Weight (lbs.)	Max. Fuse	Filter** Sizes
			H	W	D			
POV0A000M30SDA	3	VS①	34	14.5	28.75	83	15	14 x 25 x 1
POV0B000M40SDA	4	VS①	34	17.5	28.75	92	15	16 x 25 x 1
POV0C000M50SDA	5	VS①	34	21	28.75	101	15	20 x 25 x 1
POV0D000M50SDA	5	VS①	34	24.5	28.75	107	15	24 x 25 x 1

**Table AH-15-B – Features**

	PRIORITY POVO
• 34 Inch Cabinet Height.....	✓
• High efficiency, variable speed blower motor.....	✓
• Vortica™ II blower housing design.....	✓
• Fully insulated cabinet ②.....	✓
• 4-way multi-poise.....	✓
• Painted cabinet with two tone color.....	✓
• Cabinet is certified to less than 1% leakage.....	✓
• Matches industry standard furnace widths (14.5", 17.5", 21", 24.5").....	✓
• 120V wiring connections.....	✓
• Entirely electric operation.....	✓
• Service diagnostic capabilities.....	✓
• Dry contact humidifier/EAC terminals.....	✓
• 10-year limited warranty on all functional parts with registration*.....	✓

① Variable Speed

② 14.5" models do not have blower compartment insulation

\* Registered Limited Warranty terms are available when you register within 60 days of installation. You can register online at [Trane.com](http://Trane.com) or by phone at 855-260-2975, otherwise Trane's Base Limited Warranty terms will apply. Base Limited Warranty information on specific products can be found on [Comfortsite.com](http://Comfortsite.com). Product Registration and Registration Transfer exclusions vary in the US from state to state and in Canada from province to province. To determine if there are specific exclusions for your state or province check your local laws.

\*\* Filters are not shipped with Modular Air Handler.

# AHU Air Handlers



**Table AH-16-A – 5TDM5 AHU Air Handlers\***

Model Number	Rated Capacity Range (BTUH)	Dimensions (in.) H x W x D	Shipping Weight (lbs.)	Supply Opening	Return Opening	Filter Sizes	Service Valve Connection Size† (in.)	
							Gas	Liquid
5TDM5B03AC21SA	24,000	43.5 x 18.1 x 21.3	144.4	16¾ x 11⅝	18⅞ x 21¼	16 x 20 x 1	¾	⅝
5TDM5C04AC31SA	36,000	48.2 x 21.3 x 21.3	178.6	20 x 11⅝	21¼ x 21¼	20 x 20 x 1	¾	⅝
5TDM5D06AC41SA	48,000	52 x 21.3 x 24.8	218.3	20 x 11⅝	24 <sup>13</sup> / <sub>16</sub> x 21¼	23 x 20 x 1	¾	⅝
5TDM5D07AC51SA	54,000	52 x 21.3 x 24.8	218.3	20 x 11⅝	24 <sup>13</sup> / <sub>16</sub> x 21¼	23 x 20 x 1	¾	⅝

\* 5TDM5 are dedicated AHU that only pair with 5HCL5 Low Profile Cold Climate Heat Pumps

Accessory Number	Description	Fits Cabinet Width
BAYHTR1705BRKA	Heater; Electric; 5TDM Air Handler, 5KW	B
BAYHTR1710BRKA	Heater; Electric; 5TDM Air Handler, 10 KW	B, C, D
BAYHTR1715BRKA	Heater; Electric; 5TDM Air Handler, 15 KW	C, D
BAYHTR1720BRKA	Heater; Electric; 5TDM Air Handler, 20 KW	D



**Table AH-16-B – 5TEM7 AHU Air Handler\***

Model Number	Rated Capacity Range (BTUH)	Dimensions (in.) H x W x D	Shipping Weight (lbs.)	Supply Opening	Return Opening	Filter Sizes	Service Valve Connection Size† (in.)	
							Gas	Liquid
5TEM7B02AC21SA	24000	39 <sup>3</sup> / <sub>16</sub> x 17 x 21 <sup>5</sup> / <sub>8</sub>	106	14.82 x 15.88	14.19 x 18.56	20 x 16 x 1	⅝	⅝
5TEM7C04AC21SA	36000	43 <sup>7</sup> / <sub>8</sub> x 21 x 21 <sup>5</sup> / <sub>8</sub>	141	18.82 x 15.88	18.19 x 18.56	20 x 20 x 1	⅝	⅝
5TEM7D06AC31SA	48000	43 <sup>7</sup> / <sub>8</sub> x 25 x 21 <sup>5</sup> / <sub>8</sub>	198	22.82 x 15.88	22.19 x 18.56	20 x 24 x 1	⅝	⅝
5TEM7D07AC41SA	60000	59½ x 25 x 21 <sup>5</sup> / <sub>8</sub>	200	22.82 x 15.88	22.19 x 18.56	20 x 24 x 1	¾	⅝

\* 5TEM7 are dedicated Air Handler that pair exclusively with 5HPL6 and 5HCL6 Low Profile Heat pumps



**Table AH-16-C – 5TEM9 AHU Air Handler\***

Model Number	Rated Capacity Range (BTUH)	Dimensions (in.) H x W x D	Shipping Weight (lbs.)	Supply Opening	Return Opening	Filter Sizes	Service Valve Connection Size† (in.)	
							Gas	Liquid
5TEM9C02AC21SA	24000	54¼ x 21 <sup>5</sup> / <sub>8</sub> x 21	163	18.82 x 15.875	18.19 x 18.56	20 x 20 x 1	⅝	⅝
5TEM9D04AC31SA	36000	59½ x 25 x 21 <sup>5</sup> / <sub>8</sub>	198	22.19 x 15.89	22.19 x 18.56	20 x 24 x 1	⅝	⅝
5TEM9D06AC31SA	48000	59½ x 25 x 21 <sup>5</sup> / <sub>8</sub>	198	22.19 x 15.89	22.19 x 18.56	20 x 24 x 1	⅝	⅝
5TEM9D07AC41SA	60000	59½ x 25 x 21 <sup>5</sup> / <sub>8</sub>	200	22.19 x 15.89	22.19 x 18.56	20 x 24 x 1	¾	⅝

\* 5TEM9 are dedicated Air Handler that pair exclusively with 5HPL9 and 5HCL9 Low Profile Heat pumps

# Split System – Cased Heat Pump and Cooling Coils



**5TXC  
Comfort™ Coil**

**Table COIL-1-A – Aluminum High Efficiency Cased Convertible Coils  
(Upflow/ Downflow/ Horizontal Left or Right) R-454B Refrigerant**

Model Number	Cooling Capacity Range (Tons)	Coil Type	Refrigerant Control	Outlet Dim. (in.) W/H x D	Overall Dim. (in.) H x W x D	Shipping Weight (lbs.)	Line Size OD Gas	Line Size OD Liq.
5TXCA001AS3HCA	1.5 - 2.0	A	TXVNB ①	12.75 x 19.375	17.5 x 14.5 x 21.5	42	3/4	3/8
5TXCA002AS3HCA	1.5 - 3.0	A	TXVNB ①	12.75 x 19.375	22.5 x 14.5 x 21.5	46	3/4	3/8
5TXCB003AS3HCA	1.5 - 3.0	A	TXVNB ①	15.75 x 19.375	17.5 x 17.5 x 21.5	50	3/4	3/8
5TXCB004AS3HCA	2.0 - 3.5	A	TXVNB ①	15.75 x 19.375	22.5 x 17.5 x 21.5	58	7/8	3/8
5TXCC005AS3HCA	2.0 - 4.0	A	TXVNB ①	19.25 x 19.375	22.5 x 21.0 x 21.5	60	7/8	3/8
5TXCB006AS3HCA	2.0 - 5.0	A	TXVNB ①	15.75 x 19.375	26.875 x 17.5 x 21.5	65	7/8	3/8
5TXCC007AS3HCA	3.0 - 5.0	A	TXVNB ①	19.25 x 19.375	26.875 x 21.0 x 21.5	69	7/8	3/8
5TXCD008AS3HCA	3.0 - 5.0	A	TXVNB ①	22.75 x 19.375	26.875 x 24.5 x 21.5	72	7/8	3/8
5TXCC009AS3HCA	3.0 - 5.0	A	TXVNB ①	19.25 x 19.375	30.75 x 21.0 x 21.5	78	7/8	3/8
5TXCD010AS3HCA	3.0 - 5.0	A	TXVNB ①	22.75 x 19.375	30.75 x 24.5 x 21.5	81	7/8	3/8

① Start Kit may be required on outdoor unit.



**5PXC-U  
Comfort™ Coil**

**Table COIL-1-B – Aluminum High Efficiency Cased Upflow/Downflow Coils  
R-454B Refrigerant, Convertible to Horizontal Left or Horizontal Right with kit**

Model Number	Cooling Capacity Range (Tons)	Coil Type	Refrigerant Control	Outlet Dim. (in.) W/H x D	Overall Dim. (in.) H x W x D	Shipping Weight (lbs.)	Line Size OD Gas	Line Size OD Liq.
5PXCA001AS3HAA	1.5 - 2.0	A	TXVNB ①	12.75 x 19.375	17.5 x 14.5 x 21.5	39	3/4	3/8
5PXCA002AS3HAA	1.5 - 3.0	A	TXVNB ①	12.75 x 19.375	22.5 x 14.5 x 21.5	43	3/4	3/8
5PXCB003AS3HAA	1.5 - 3.0	A	TXVNB ①	15.75 x 19.375	17.5 x 17.5 x 21.5	47	3/4	3/8
5PXCB004AS3HAA	2.0 - 3.5	A	TXVNB ①	15.75 x 19.375	22.5 x 17.5 x 21.5	54	7/8	3/8
5PXCC005AS3HAA	2.0 - 4.0	A	TXVNB ①	19.25 x 19.375	22.5 x 21.0 x 21.5	56	7/8	3/8
5PXCB006AS3HAA	2.0 - 5.0	A	TXVNB ①	15.75 x 19.375	26.875 x 17.5 x 21.5	61	7/8	3/8
5PXCC007AS3HAA	3.0 - 5.0	A	TXVNB ①	19.25 x 19.375	26.875 x 21.0 x 21.5	64	7/8	3/8
5PXCD008AS3HAA	3.0 - 5.0	A	TXVNB ①	22.75 x 19.375	26.875 x 24.5 x 21.5	68	7/8	3/8
5PXCC009AS3HAA	3.0 - 5.0	A	TXVNB ①	19.25 x 19.375	30.75 x 21.0 x 21.5	73	7/8	3/8
5PXCD010AS3HAA	3.0 - 5.0	A	TXVNB ①	22.75 x 19.375	30.75 x 24.5 x 21.5	77	7/8	3/8

**Table COIL-1-C – Aluminum High Efficiency Cased Downflow Coils  
R-454B Refrigerant, Convertible to Horizontal Right with kit**

Model Number	Cooling Capacity Range (Tons)	Coil Type	Refrigerant Control	Outlet Dim. (in.) W/H x D	Overall Dim. (in.) H x W x D	Shipping Weight (lbs.)	Line Size OD Gas	Line Size OD Liq.
5PXCBD03AS3HDA	1.5 - 3.0	A	TXVNB ①	15.75 x 19.375	17.5 x 17.5 x 21.5	47	3/4	3/8
5PXCBD04AS3HDA	2.0 - 3.5	A	TXVNB ①	15.75 x 19.375	22.5 x 17.5 x 21.5	54	7/8	3/8
5PXCCD05AS3HDA	2.0 - 3.5	A	TXVNB ①	19.25 x 19.375	22.5 x 21.0 x 21.5	56	7/8	3/8
5PXCBD06AS3HDA	2.0 - 5.0	A	TXVNB ①	15.75 x 19.375	26.875 x 17.5 x 21.5	61	7/8	3/8
5PXCCD07AS3HDA	3.0 - 5.0	A	TXVNB ①	19.25 x 19.375	26.875 x 21.0 x 21.5	64	7/8	3/8
5PXCCD09AS3HDA	3.0 - 5.0	A	TXVNB ①	19.25 x 19.375	30.75 x 21.0 x 21.5	73	7/8	3/8
5PXCCD10AS3HDA	3.0 - 5.0	A	TXVNB ①	22.75 x 19.375	30.75 x 24.5 x 21.5	77	7/8	3/8

① Start Kit may be required on outdoor unit.



**5PXC-D  
Comfort™ Coil**



It's Hard To Stop A Trane.®

# Split System – Cased Heat Pump and Cooling Coils

Coils



**5MXC  
Multi-Position  
Cased Coil**

**Table COIL-2-A – Aluminum Single Stage Cased Coil (Upflow/Downflow/Horizontal) R-454B Refrigerant**

Model Number	Cooling Capacity Range (Tons)	Coil Type	Refrigerant Control	Outlet Dim. (in.) W/H x D	Overall Dim. (in.) H x W x D	Shipping Weight (lbs.)	Line Size OD Gas	Line Size OD Liq.
5MXCA003AC6HCA ②	1.5-3.0	A	FCCV ①	13 x 19	20 x 14½ x 21	48	¾	⅜
5MXCB004AC6HCA ②	1.5-3.0	A	FCCV ①	16 x 19	20 x 17½ x 21	51	¾	⅜
5MXCC005AC6HCA ②	1.5-3.0	A	FCCV ①	19 ½ x 19	20 x 21 x 21	55	7/8	⅜
5MXCB006AC6HCA ②	1.5-3.5	A	FCCV ①	16 x 19	26 x 17½ x 21	64	¾	⅜
5MXCC007AC6HCA ②	1.5-3.5	A	FCCV ①	19 ½ x 19	26 x 21 x 21	66	7/8	⅜
5MXCD008AC6HCA ②	3.0-3.5	A	FCCV ①	23 x 19	26 x 24½ x 21	70	7/8	⅜
5MXCC009AC6HCA ②	3.0-5.0	A	FCCV ①	19 ½ x 19	30 x 21 x 21	88	7/8	⅜
5MXCD010AC6HCA ②	3.0-5.0	A	FCCV ①	23 x 19	30 x 24½ x 21	93	7/8	⅜

① All coils shipped with a Fixed Metering Device (Flow Control Check Valve - FCCV). Some rated combinations require a TXV unit, ordered separately. See the coil Installer's Guide for Orifice and TXV matches.

② Orifice Kit for all size orifices provided upon shipment from factory or orderable KIT20633



**5PXFH  
Horizontal Flat Coil**

**Table COIL-2-B – Aluminum Cased Horizontal Flat Coils R-454B Refrigerant**

Model Number	Cooling Capacity Range (Tons)	Coil Type	Refrigerant Control	Outlet Dim. (in.) W/H x D	Overall Dim. (in.) H x W x D	Shipping Weight (lbs.)	Line Size OD Gas	Line Size OD Liq.
<b>Standard Efficiency Model</b>								
5PXFH001AC3HHA	1.5-3.0	Flat	TXVNB ①	21 x 24	23.5 x 10 x 29.5	40	¾	⅜
5PXFH004AC3HHA	2.0-3.5	Flat	TXVNB ①	21 x 30	23.5 x 10 x 35.5	47	¾	⅜
5PXFH007AC3HHA	3.0-5.0	Flat	TXVNB ①	21 x 30	23.5 x 10 x 35.5	61	7/8	⅜
<b>High Efficiency Models: Variable Speed Compatible</b>								
5PXFH005AZ3HHA	2.0-3.5	Flat	TXVNB ①	21 x 30	23.5 x 10 x 35.5	61	7/8	⅜
5PXFH009AZ3HHA	3.0-5.0	Flat	TXVNB ①	27 x 34	29.5 x 10 x 41.5	70	7/8	⅜

① Start Kit may be required on outdoor unit.



# Split System – Cased Heat Pump and Cooling Coil Features

**Table COIL-3-A – Features**

	5TXC	5PXC-U	5PXC-D	5MXC	5PXFH
• All aluminum coil .....	✓	✓	✓	✓	✓
• Enhanced Fin Surface.....	✓	✓	✓	—	—
• 100% foil lined insulation .....	✓	✓	✓	✓	✓
• Internally checked non-bleed thermal expansion valve with mechanical fitting on both sides (heat pump operation) ① .....	✓	✓	✓	—	✓
• Factory installed fixed orifice. Additional orifices supplied. ....	—	—	—	✓	—
• Optional accessory TXV Kit with mechanical fittings available for higher performance ratings....	—	—	—	✓ <sup>②</sup>	—
• Easy case attachment to furnace.....	✓	✓	✓	✓	✓
• Upflow application .....	✓	✓	—	✓	—
• Downflow application .....	✓	✓	✓	✓	—
• Horizontal Right application.....	✓	kit	kit	✓	✓
• Horizontal Left application .....	✓	kit	—	✓	✓
• Double sloped non-corrosive drain pan - UL rated 400°F. Compatible with oil furnaces. ....	✓	✓	✓	—	—
• Single sloped non-corrosive drain pan.....	—	—	—	✓	✓
• Compatible with variable speed and 2 speed outdoor models.....	✓	✓	✓	—	✓
• Split inner and outer doors for easy coil inspection and cleaning .....	✓	✓	✓	—	—
• Painted galvanized steel cabinet .....	✓	✓	✓	—	—
• Factory Installed Refrigerant Detection System.....	✓	✓	✓	③	✓
• 10-year limited warranty on coil, & all other functional parts, with registration* .....	✓	✓	✓	✓	✓

① Start kit may be required on outdoor unit.

② Reference AHRI ratings to find correct TXV kit or reference Product Data for additional information.

③ 5MXC ships with a factory installed RDS and field-installed MCB for all R-454B installations.

\* Registered Limited Warranty terms are available when you register within 60 days of installation. You can register online at [Trane.com](http://Trane.com) or by phone at 855-260-2975, otherwise Trane's Base Limited Warranty terms will apply. Base Limited Warranty information on specific products can be found on [Comfortsite.com](http://Comfortsite.com). Product Registration and Registration Transfer exclusions vary in the US from state to state and in Canada from province to province. To determine if there are specific exclusions for your state or province check your local laws.

**Table COIL-3-B - Kits for 5PXC and 5TXC Coils**

Horizontal Conversion Kit No.	Use with Coil Model Numbers
BAYCONV18B	5PXC**01, 03
BAYCONV23B	5PXC**02, 04, 05
BAYCONV27B	5PXC**06-08
BAYCONV30B	5PXC**09-010
Optional Downflow Gasket Kit No.	Use with Coil Model Numbers
BAYGSKT001A0	5PXC, 5TXC
Wire Harness Extension	Use with Coil Model Numbers
BAYMCBHARNESS	5PXC, 5TXC

**Table COIL-3-C – Refrigerant TXV Kits for 5MXC Coils**

Tons	R-454B TXV Kit (if required)
1.5 - 3.0	5AYTXVH3A1836A
3.5 - 4.0	5AYTXVH3A4248A
5.0	5AYTXVH3A6000A



It's Hard To Stop A Trane.®

# Split System – Uncased Heat Pump and Cooling Coils

Coils



**5AXA  
Uncased Coil**

**Table COIL-4-A – Aluminum Uncased Upflow/Downflow Coils R-454B Refrigerant**

Model Number	Cooling Capacity Range (Tons)	Coil Type	Refrigerant Control	Overall Dim. (in.) H x W x D	Shipping Weight (lbs.)	Line Size	
						OD Gas	OD Liq.
5AXAA001AS3HAA	1.5-2.0	A	TXVNB	13 x 13 x 19¼	11	¾	¾
5AXAB002AS3HAA	1.5-2.0	A	TXVNB	13 x 16 x 19¼	11	¾	¾
5AXAA003AS3HAA	1.5-2.5	A	TXVNB	15 x 13 x 19¼	18	¾	¾
5AXAB004AS3HAA	1.5-2.5	A	TXVNB	15 x 16 x 19¼	18	¾	¾
5AXAA005AS3HAA	1.5-3.0	A	TXVNB	17 x 13 x 19¼	22	¾	¾
5AXAB006AS3HAA	1.5-3.0	A	TXVNB	17 x 16 x 19¼	22	¾	¾
5AXAB007AS3HAA	2.0-3.0	A	TXVNB	21 x 16 x 19¼	27	¾	¾
5AXAB008AS3HAA	3.0-4.0	A	TXVNB	25 x 16 x 19¼	32	7/8	¾
5AXAC009AS3HAA	3.0-4.0	A	TXVNB	25 x 19½ x 19¼	32	7/8	¾
5AXAB010AS3HAA	3.0-5.0	A	TXVNB	27 x 16 x 19¼	35	7/8	¾
5AXAC011AS3HAA	3.0-5.0	A	TXVNB	27 x 19½ x 19¼	35	7/8	¾
5AXAD012AS3HAA	3.0-5.0	A	TXVNB	27 x 23 x 19¼	35	7/8	¾

**Table COIL-4-B – Features**

	5AXA
• All aluminum coil .....	✓
• Enhanced Fin Surface.....	✓
• Internally checked non-bleed thermal expansion valve with mechanical fitting on both sides (heat pump operation) ① .....	✓
• Upflow application .....	✓
• Field Installed Refrigerant Detection System .....	✓
• Single sloped non-corrosive drain pan.....	✓
• Compatible with variable speed and 2 speed outdoor models.....	✓
• <b>10-year limited warranty on coil, &amp; all other functional parts, with registration*</b> .....	✓

① Start kit may be required on outdoor unit.

\* Registered Limited Warranty terms are available when you register within 60 days of installation. You can register online at [Trane.com](http://Trane.com) or by phone at 855-260-2975, otherwise Trane's Base Limited Warranty terms will apply. Base Limited Warranty information on specific products can be found on [Comfortsite.com](http://Comfortsite.com). Product Registration and Registration Transfer exclusions vary in the US from state to state and in Canada from province to province. To determine if there are specific exclusions for your state or province check your local laws.

# R-410A Split System – Cased Heat Pump and Cooling Coils



**4TXC  
Replacement Only  
Coil**

**Table COIL-5-A – R-410A Replacement Coils High Efficiency 4-way Convertible Cased Coils\***

Model Number	Cooling Capacity Range (Tons)	Coil Type	Refrigerant Control	Outlet Dim. (in.) W/H x D	Overall Dim. (in.) H x W x D	Shipping Weight (lbs.)	Line Size OD Gas	OD Liq.
4TXCA002RS3HCA	1.5 - 2.0	A	TXVNB	12.75 x 19.375	17.5 x 14.5 x 21.5	42	3/4	3/8
4TXCA032RS3HCA	1.5 - 3.0	A	TXVNB	12.75 x 19.375	22.5 x 14.5 x 21.5	46	3/4	3/8
4TXCB003RS3HCA	1.5 - 3.0	A	TXVNB	15.75 x 19.375	17.5 x 17.5 x 21.5	50	3/4	3/8
4TXCB004RS3HCA	2.0 - 3.5	A	TXVNB	15.75 x 19.375	22.5 x 17.5 x 21.5	58	7/8	3/8
4TXCC005RS3HCA	2.0 - 4.0	A	TXVNB	19.25 x 19.375	22.5 x 21 x 21.5	60	7/8	3/8
4TXCB006RS3HCA	2.0 - 5.0	A	TXVNB	15.75 x 19.375	26.9 x 17.5 x 21.5	65	7/8	3/8
4TXCC007RS3HCA	3.0 - 5.0	A	TXVNB	19.25 x 19.375	26.9 x 21 x 21.5	69	7/8	3/8
4TXCD008RS3HCA	3.0 - 5.0	A	TXVNB	22.75 x 19.375	26.9 x 24.5 x 21.5	72	7/8	3/8
4TXCC009RS3HCA	3.0 - 5.0	A	TXVNB	19.25 x 19.375	30.7 x 21 x 21.5	78	7/8	3/8
4TXCD010RS3HCA	3.0 - 5.0	A	TXVNB	22.75 x 19.375	30.7 x 24.5 x 21.5	81	7/8	3/8

\* The 4TXC-RS family is for indoor coil replacement/servicing existing equipment only and should not be used for new system installations.

**Table COIL-5-B – Features**

Table COIL-5-B – Features	4TXC
• All aluminum coil .....	✓
• Enhanced Fin Surface.....	✓
• 100% foil lined insulation .....	✓
• Internally checked non-bleed thermal expansion valve with mechanical fitting on both sides (heat pump operation) ① .....	✓
• Easy case attachment to furnace.....	✓
• Upflow application .....	✓
• Downflow application .....	✓
• Horizontal Right application.....	✓
• Horizontal Left application .....	✓
• Double sloped non-corrosive drain pan - UL rated 400°F. Compatible with oil furnaces. ....	✓
• Compatible with variable speed and 2 speed outdoor models.....	✓
• Split inner and outer doors for easy coil inspection and cleaning .....	✓
• Painted galvanized steel cabinet .....	✓
• 10-year limited warranty on coil, & all other functional parts, with registration* .....	✓

① Start kit may be required on outdoor unit.

\* Registered Limited Warranty terms are available when you register within 60 days of installation. You can register online at Trane.com or by phone at 855-260-2975, otherwise Trane's Base Limited Warranty terms will apply. Base Limited Warranty information on specific products can be found on Comfortsite.com. Product Registration and Registration Transfer exclusions vary in the US from state to state and in Canada from province to province. To determine if there are specific exclusions for your state or province check your local laws.

**Table COIL-5-C - Air Conditioning and Heat Pump Systems**

ADJUSTABLE R-410A TXV KIT	4PXC-U & 4PXA:	4PXC-D:	4TXC:
4AYTXVH4A1830A	24	24-30	A002
4AYTXVH4A3042A	30-42	36-42	A032, B003-C005
4AYTXVH4A4860A	48-60	48-60	B006-D010

These R-410A adjustable TXV kits are intended for use with 4TXC, 4PXC, and 4PXA coil families.

These adjustable TXV kits may also be used to lower the superheat on 4TXC, 4PXC, and 4PXA coils to improve the latent capacity in high humidity environments.

**Table COIL-5-D - R-22 TXV Conversion TXV Kits for 4PXC, 4PXA, 4TXC and 4PXF Coils**

R-22 TXV Kit	Use with Coil Model Numbers		
2AYTXVH3H1836A	4PX**24-36	4TXC*002-005	4PXFH001, 003, 005
2AYTXVH3H4248A	4PX**42-48	4TXC*006-008	4PXFH004
2AYTXVH3H6060A	4PX**60	4TXC*009-010	4PXFH007, 009



It's Hard To Stop A Trane.®

# 5DXC – Cased Heat Pump Coils

Coils



5DXC Coil

**Table COIL-6-A – 5DXC\* Coils R-454B Refrigerant**

Model Number	Cooling Capacity Range (Tons)	Coil Type	Refrigerant Control	Outlet Dim (in.) W/H x D	Overall Dim. (in.) H x W x D	Shipping Weight (lbs.)	Line Size	
							OD Gas	OD Liq.
5DXCB003AC3HCA	0.8-2.2	A	EEV	15 <sup>7</sup> / <sub>8</sub> x 19 <sup>3</sup> / <sub>8</sub>	23 x 17 <sup>1</sup> / <sub>2</sub> x 21 <sup>1</sup> / <sub>4</sub>	83.8	<sup>3</sup> / <sub>8</sub>	<sup>3</sup> / <sub>4</sub>
5DXCB005AC3HCA	1.2-3.3	A	EEV	15 <sup>7</sup> / <sub>8</sub> x 19 <sup>3</sup> / <sub>8</sub>	23 x 17 <sup>1</sup> / <sub>2</sub> x 21 <sup>1</sup> / <sub>4</sub>	83.8	<sup>3</sup> / <sub>8</sub>	<sup>3</sup> / <sub>4</sub>
5DXCD008AC3HCA	1.6-4.4	A	EEV	22 <sup>7</sup> / <sub>8</sub> x 19 <sup>3</sup> / <sub>8</sub>	28 <sup>1</sup> / <sub>2</sub> x 24 <sup>1</sup> / <sub>2</sub> x 21 <sup>1</sup> / <sub>4</sub>	123.5	<sup>3</sup> / <sub>8</sub>	<sup>3</sup> / <sub>4</sub>
5DXCD010AC3HCA	2-5.5	A	EEV	22 <sup>7</sup> / <sub>8</sub> x 19 <sup>3</sup> / <sub>8</sub>	28 <sup>1</sup> / <sub>2</sub> x 24 <sup>1</sup> / <sub>2</sub> x 21 <sup>1</sup> / <sub>4</sub>	123.5	<sup>3</sup> / <sub>8</sub>	<sup>3</sup> / <sub>4</sub>

\*5DXC are dedicated Coils that only pair with 5HCL5 Low Profile Cold Climate Heat Pumps

**Table COIL-6-B – Features**

	5DXC
• Copper Aluminum with anti-corrosion Blue fin coating.....	✓
• 100% Foiled Line Insulation.....	✓
• Electronic Expansion Valve .....	✓
• Upflow application .....	✓
• Downflow application .....	✓
• Horizontal Right application.....	✓
• Horizontal Left application .....	✓

\* Registered Limited Warranty terms are available when you register within 60 days of installation. You can register online at [Trane.com](http://Trane.com) or by phone at 855-260-2975, otherwise Trane's Base Limited Warranty terms will apply. Base Limited Warranty information on specific products can be found on [Comfortsite.com](http://Comfortsite.com). Product Registration and Registration Transfer exclusions vary in the US from state to state and in Canada from province to province. To determine if there are specific exclusions for your state or province check your local laws.

# 97 Two-Stage Variable Speed Gas Furnace

Transformed into Trane® Link™ communicating model with addition of S9V2-VC Kit (BACS9V2CA22MUA). ③

## PREMIER



**S9V2-VS  
Direct Vent  
Upflow**

**Table FUR-1-A – PREMIER - 97 Two-Stage Variable Speed Gas Furnace,  
Upflow/Horizontal Left/Horizontal Right Condensing Gas Furnace with Variable Speed Draft Inducer (120/1/60) ③**

Unit Model Number	Airflow In Tons	Output (Btuh)		ICS① AFUE	Flue Size (in)	Ignition Device	Uncrated Dimensions (in.)			Shipping Weight (lbs.)	Max Fuse*	Filter Sizes**
		Stage 2	Stage 1				H	W	D			
S9V2B040U3VSB*	3	40,000	26,000	97	2, 3, 4	④	34	17.5	28.75	122	15	16 x 25 x 1
S9V2B060U4VSB*	4	60,000	39,000	97	2, 3, 4	④	34	17.5	28.75	127	15	16 x 25 x 1
S9V2B080U4VSB*	4	80,000	52,000	97	2, 3, 4	④	34	17.5	28.75	135	15	16 x 25 x 1
S9V2C080U5VSB*	5	80,000	52,000	97	2, 3, 4	④	34	21	28.75	149	15	20 x 25 x 1
S9V2C100U5VSB*	5	100,000	65,000	97	2, 3, 4	④	34	21	28.75	154	15	20 x 25 x 1
S9V2D120U5VSB*	5	120,000	78,000	97	3, 4	④	34	24.5	28.75	167	15	24 x 25 x 1



**S9V2-VS  
Direct Vent  
Downflow**

**Table FUR-1-B – PREMIER - 97 Two-Stage Variable Speed Gas Furnace,  
Direct/Non-Direct Vent, Downflow Condensing Gas Furnace with Variable Speed Draft Inducer (120/1/60) ③**

Unit Model Number	Airflow In Tons	Output (Btuh)		ICS① AFUE	Flue Size (in)	Ignition Device	Uncrated Dimensions (in.)			Shipping Weight (lbs.)	Max Fuse*	Filter Sizes**
		Stage 2	Stage 1				H	W	D			
S9V2B040D3VSB*	3	40,000	26,000	97	2, 3, 4	④	34	17.5	28.75	122	15	(2) 14 x 20 x 1
S9V2B060D3VSB*	3	60,000	39,000	97	2, 3, 4	④	34	17.5	28.75	127	15	(2) 14 x 20 x 1
S9V2B080D4VSB*	4	80,000	52,000	97	2, 3, 4	④	34	17.5	28.75	135	15	(2) 14 x 20 x 1
S9V2C100D5VSB*	5	100,000	65,000	97	2, 3, 4	④	34	21	28.75	155	15	(2) 16 x 20 x 1
S9V2D120D5VSB*	5	120,000	78,000	97	3, 4	④	34	24.5	28.75	167	15	(2) 16 x 20 x 1

Note: Variable speed furnaces should not be twinned and are not approved for twinning applications.

① Isolated Combustion System. AFUE may vary based on poise.

② Direct drive variable speed motor is an ECM constant airflow blower motor.

③ Silicon Nitride Igniter.

④ HUB & UI (TLINK360A2VVU\* - Software Version 9.2) and S9V2-VC Link Kit (BACS9V2CA22MUA) must be ordered to operate in Link communicating mode.

\* Information subject to change. Please confirm with current Product Data/Service Facts for current factory production.

\*\* Filters are not shipped with furnace. For Upflow furnaces, the size is for a bottom return filter.

For Energy Star Information, please refer to: <https://www.ahridirectory.org/>

# 96 Two-Stage Gas Furnace

## PRIORITY



**S9X2**  
Direct Vent  
Upflow

**Table FUR-2-A — PRIORITY - 96 Two-Stage Gas Furnace, Direct/Non-Direct Vent, Upflow/Horizontal Left/Horizontal Right Condensing Gas Furnace (120/1/60) ②**

Unit Model Number	Airflow In Tons	Output (Btuh)		ICS① AFUE	Flue Size (in)	Ignition Device	Uncrated Dimensions (in.) H x W x D	Shipping Weight (lbs.)	Max Fuse*	Filter Sizes**
		Stage 2	Stage 1							
S9X2B040U3PSB*	3	38,800	25,220	96.0②	2, 3, 4	③	34 x 17 <sup>1</sup> / <sub>2</sub> x 28 <sup>3</sup> / <sub>4</sub>	122	15	16 x 25 x 1
S9X2B060U4PSB*	4	58,200	37,830	96.0②	2, 3, 4	③	34 x 17 <sup>1</sup> / <sub>2</sub> x 28 <sup>3</sup> / <sub>4</sub>	130	15	16 x 25 x 1
S9X2B080U4PSB*	4	77,600	50,440	96.0②	2, 3, 4	③	34 x 17 <sup>1</sup> / <sub>2</sub> x 28 <sup>3</sup> / <sub>4</sub>	135	15	16 x 25 x 1
S9X2C080U5PSB*	5	77,600	50,440	95.0②	2, 3, 4	③	34 x 21 x 28 <sup>3</sup> / <sub>4</sub>	149	15	20 x 25 x 1
S9X2C100U5PSB*	5	97,000	63,050	96.0②	2, 3, 4	③	34 x 21 x 28 <sup>3</sup> / <sub>4</sub>	155	15	20 x 25 x 1
S9X2D120U5PSB*	5	116,400	75,660	96.0②	3, 4	③	34 x 24 <sup>1</sup> / <sub>2</sub> x 28 <sup>3</sup> / <sub>4</sub>	167	15	24 x 25 x 1



**S9X2**  
Direct Vent  
Downflow

**Table FUR-2-B — PRIORITY - 96 Two-Stage Gas Furnace, Direct/Non-Direct Vent, Downflow Condensing Gas Furnace (120/1/60) ②**

Unit Model Number	Airflow In Tons	Output (Btuh)		ICS① AFUE	Flue Size (in)	Ignition Device	Uncrated Dimensions (in.) H x W x D	Shipping Weight (lbs.)	Max Fuse*	Filter Sizes**
		Stage 2	Stage 1							
S9X2B040D3PSB*	3	38,800	25,220	96.0	2, 3, 4	③	34 x 17 <sup>1</sup> / <sub>2</sub> x 28 <sup>3</sup> / <sub>4</sub>	122	15	(2)14 x 20 x 1
S9X2B060D3PSB*	3	58,200	37,830	95.0	2, 3, 4	③	34 x 17 <sup>1</sup> / <sub>2</sub> x 28 <sup>3</sup> / <sub>4</sub>	127	15	(2)14 x 20 x 1
S9X2B080D4PSB*	4	77,600	50,440	96.0	2, 3, 4	③	34 x 17 <sup>1</sup> / <sub>2</sub> x 28 <sup>3</sup> / <sub>4</sub>	135	15	(2)14 x 20 x 1
S9X2C100D5PSB*	5	97,000	63,050	95.0	2, 3, 4	③	34 x 21 x 28 <sup>3</sup> / <sub>4</sub>	155	15	(2)16 x 20 x 1
S9X2D120D5PSB*	5	116,400	75,660	96.0	3, 4	③	34 x 24 <sup>1</sup> / <sub>2</sub> x 28 <sup>3</sup> / <sub>4</sub>	167	15	(2)16 x 20 x 1

**Table FUR-2-C — High Altitude Pressure Switch S9V2-VS 97% Furnaces**

Model Number	Description	Used With	Shipping Weight
BAYHALT255	2 Switches	S9V2B060D3VS*	2
BAYHALT256	2 Switches	S9V2B040D3VS*, S9V2B040U3VS*	2
BAYHALT257	2 Switches	S9V2B080D4VS*	2
BAYHALT258	2 Switches	S9V2B080U4VS*, S9V2C100U5VS*, S9V2D120D5VS*, S9V2D120U5VS*	2
BAYHALT259	2 Switches	S9V2B060U4VS*, S9V2C080U5VS*, S9V2C100D5VS*	2

① Isolated Combustion System. AFUE may vary based on poise.

② Direct drive 9 speed motor is a high efficiency constant torque ECM blower motor.

③ Silicon Nitride Igniter.

\* Information subject to change. Please confirm with current Product Data/Service Facts for current factory production.

\*\* Filters are not shipped with furnace. For Upflow furnaces, the size is for a bottom return filter.

For Energy Star Information, please refer to: <https://www.ahridirectory.org/>

# Convertible Gas Furnaces

**Table FUR-3-A – Features**

	PREMIER S9V2-VS Variable Speed	PRIORITY S9X2 Multi-Speed
• Trane® Link™ communicating model with addition of BACS9V2CA22MUA.....	✓	—
• Direct drive, variable speed ECM blower motor - Constant airflow ECM (electronically commutated motor).....	✓	—
• Direct drive, multi-speed ECM blower motor - Constant torque ECM (electronically commutated motor) .....	—	✓
• Variable speed draft inducer motor.....	✓	—
• Comfort-R™ enhanced mode (cooling) .....	✓	—
• Standard 34" height.....	✓	—
• 3 Way poise Upflow furnace model (Upflow, Horizontal Left, Horizontal Right).....	✓	✓
• Dedicated Downflow furnace model.....	✓	✓
• Front service access with easily accessible burners, sensors, orifices, switches, and other components .....	✓	✓
• Cabinet has no knockouts - Rubber and plastic plugs come installed from factory.....	✓	✓
• Gas can enter either side of cabinet.....	✓	✓
• Condensate can exit either side of cabinet in Upflow orientation.....	✓	✓
• Multiple venting options - Every model, every size will offer two venting options.....	✓	✓
• Integrated Furnace Control board with digital configuration, status, and fault codes .....	✓	✓
• Alpha-numeric diagnostic codes .....	✓	✓
• Dry contact Humidifier/EAC hook-up capability .....	✓	✓
• Adjustable blower off delay for heating and cooling.....	✓	✓
• Last six fault codes are stored (even with power loss).....	✓	✓
• Stainless steel primary and secondary heat exchanger tubes .....	✓	✓
• Longer IFC wire harnesses allow door to be removed without disconnecting the harness.....	✓	✓
• Alternate bottom/left/right return air (upflow models only).....	✓	✓
• Bottom panel.....	✓	✓
• Dual PVC pipe venting (1 or 2 pipe option) .....	✓	✓
• Two stage combination gas valve and regulator .....	✓	✓
• Gasketed inner and outer door .....	✓	✓
• Heavy gauge reinforced wrap-around steel cabinet .....	✓	✓
• Insulated blower compartment .....	✓	✓
• Left/right condensate drain capability in vertical application .....	✓	✓
• Service diagnostics with faults reported on IFC board .....	✓	✓
• Manual reset flame roll out switches.....	✓	✓
• Mobile home approved with mobile home kit.....	✓	✓
• Multi-port in shot burners .....	✓	✓
• Service diagnostic capabilities .....	✓	✓
• Vortica™ II blower housing.....	✓	✓
• Slide out blower assembly on full-length rails.....	✓	✓
• Side return duct starter tabs (upflow models only).....	✓	✓
• Silicon Nitride 120V hot surface igniter .....	✓	✓
• Multiple heating blower speeds.....	✓	✓
• Meets requirements for 1% or less air leakage.....	✓	✓
• Limited lifetime heat exchanger warranty & 10-year on all other functional parts with registration* (Residential Use) .....	✓	✓
• Optional extended warranties available .....	✓	✓

Note: Variable speed furnaces should not be twinned and are not approved for twinning applications.

\* Registered Limited Warranty terms are available when you register within 60 days of installation. You can register online at Trane.com or by phone at 855-260-2975, otherwise Trane's Base Limited Warranty terms will apply. Base Limited Warranty information on specific products can be found on Comfortsite.com. Product Registration and Registration Transfer exclusions vary in the US from state to state and in Canada from province to province. To determine if there are specific exclusions for your state or province check your local laws.

**Table FUR-3-B – Optional Accessories**

Model Number	Description	Shipping Weight	PREMIER S9V2-VS Variable Speed	PRIORITY S9X2 Multi-Speed
BACS9V2CA22MUA.....	S9V2-VC Link Communicating Kit.....		✓	—
BAYLPSS400C.....	LP Kit with Stainless Steel Burners.....	3.....	✓	—
BAYHANG .....	Horizontal hanging kit .....	2.....	✓	✓
BAYVENT200B.....	Sidewall vent Termination Kit fo Direct vent furnaces .....	2.....	✓	✓
BAYVENTCN200B .....	Sidewall vent Termination Kit fo Direct vent furnaces for Canadian applications ..	2.....	✓	✓
BAYAIR30AVENTA .....	Concentric vent kit for 2, 2½ and 3" vent system.....	11.....	✓	✓
BAYAIR30CNVENT .....	Concentric vent kit for 2, 2½ and 3" vent system for Canadian applications.....	11.....	✓	✓
BAYREDUCE .....	Reducer Coupling for Canadian applications (CPVC) .....	1.....	✓	✓
BAYLIFTB.....	Dual return kit. B size extension.....	8.....	✓	✓
BAYLIFTC .....	Dual return kit. C size extension.....	9.....	✓	✓
BAYLIFTD .....	Dual return kit. D size extension.....	9.....	✓	✓
BAYMFGH200B.....	Manufactured/mobile home kit .....	1.....	✓	✓
BAYCNDTRAP2A.....	In-line condensate collector for 2" PVC pipe.....	1.....	✓	✓
BAYCNDTRAP3A.....	In-line condensate collector for 3" PVC pipe .....	1.....	✓	✓
BAYBASE205.....	Downflow subbase .....	8.....	✓	✓
BAYFLTR206.....	Filter Access Door Kit (Downflow only) .....	2.....	✓	✓
MAYBFERCOLKITA ①.....	Heat Shield, B size cabinet.....	3.....	✓	✓
MAYCFERCOLKITA ①.....	Heat Shield, C size cabinet.....	3.....	✓	✓
MAYDFERCOLKITA ①.....	Heat Shield, D size cabinet.....	3.....	✓	✓
BAYSF1165.....	16x20 1" side return filter rack .....		✓	✓
BAYSF1255.....	16x25 1" side return filter rack (bottom return for 17.5" cabinets).....		✓	✓
BAYBURNERSS.....	Stainless steel natural gas burner kit.....		✓	✓

① Required on furnaces manufactured on or after 7/3/19 (with date code 19273 or after) when installed with a 4MXC or 4GXC coils in upflow or horizontal position. Not required in Downflow orientation.

# 96 Single-Stage Gas Furnace

## CHOICE



**S9X1**  
Direct Vent  
Upflow

**Table FUR-4-A — CHOICE - 96 Single-Stage Gas Furnace, Direct/Non-Direct Vent, Upflow/Horizontal Left/Horizontal Right Condensing Gas Furnace (120/1/60) ②**

Unit Model Number	Airflow In Tons	Output (Btuh)	ICS① AFUE	Flue Size (in)	Ignition Device	Uncrated Dimensions (in.) H x W x D	Shipping Weight (lbs.)	Max Fuse*	Filter Sizes**
S9X1B040U3PSB*	3	39,000	96.0	2, 3, 4	③	34 x 17 <sup>1</sup> / <sub>2</sub> x 28 <sup>3</sup> / <sub>4</sub>	122	15	16 x 25 x 1
S9X1B060U4PSB*	4	58,300	96.0	2, 3, 4	③	34 x 17 <sup>1</sup> / <sub>2</sub> x 28 <sup>3</sup> / <sub>4</sub>	130	15	16 x 25 x 1
S9X1B080U4PSB*	4	77,200	96.0	2, 3, 4	③	34 x 17 <sup>1</sup> / <sub>2</sub> x 28 <sup>3</sup> / <sub>4</sub>	135	15	16 x 25 x 1
S9X1C080U5PSB*	5	77,800	96.0	2, 3, 4	③	34 x 21 x 28 <sup>3</sup> / <sub>4</sub>	149	15	20 x 25 x 1
S9X1C100U5PSB*	5	97,400	95.0	2, 3, 4	③	34 x 21 x 28 <sup>3</sup> / <sub>4</sub>	155	15	20 x 25 x 1
S9X1D120U5PSB*	5	113,400	95.0	3, 4	③	34 x 24 <sup>1</sup> / <sub>2</sub> x 28 <sup>3</sup> / <sub>4</sub>	167	15	24 x 25 x 1



**S9X1**  
Direct Vent  
Downflow

**Table FUR-4-B — CHOICE - 96 Single-Stage Gas Furnace, Direct/Non-Direct Vent, Downflow Condensing Gas Furnace (120/1/60) ②**

Unit Model Number	Airflow In Tons	Output (Btuh)	ICS① AFUE	Flue Size (in)	Ignition Device	Uncrated Dimensions (in.) H x W x D	Shipping Weight (lbs.)	Max Fuse*	Filter Sizes**
S9X1B040D3PSB*	3	38,900	96.0	2, 3, 4	③	34 x 17 <sup>1</sup> / <sub>2</sub> x 28 <sup>3</sup> / <sub>4</sub>	122	15	(2)14 x 20 x 1
S9X1B060D3PSB*	3	57,600	96.0	2, 3, 4	③	34 x 17 <sup>1</sup> / <sub>2</sub> x 28 <sup>3</sup> / <sub>4</sub>	127	15	(2)14 x 20 x 1
S9X1B080D4PSB*	4	76,900	95.0	2, 3, 4	③	34 x 17 <sup>1</sup> / <sub>2</sub> x 28 <sup>3</sup> / <sub>4</sub>	135	15	(2)14 x 20 x 1
S9X1C100D5PSB*	5	96,800	96.0	2, 3, 4	③	34 x 21 x 28 <sup>3</sup> / <sub>4</sub>	155	15	(2)16 x 20 x 1
S9X1D120D5PSB*	5	115,500	95.0	3, 4	③	34 x 24 <sup>1</sup> / <sub>2</sub> x 28 <sup>3</sup> / <sub>4</sub>	167	15	(2)16 x 20 x 1

① Isolated Combustion System. AFUE may vary based on poise..

② Direct drive 9 speed motor is a high efficiency constant torque ECM blower motor.

③ Silicon Nitride Igniter.

\* Information subject to change. Please confirm with current Product Data/Service Facts for current factory production.

\*\* Filters are not shipped with furnace. For Upflow furnaces, the size is for a bottom return filter.

For Energy Star Information, please refer to: <https://www.ahridirectory.org/>

# 92 Single-Stage Builder-Grade Gas Furnace



**S9B1**  
Direct Vent  
Upflow

**Table FUR-4-C — CHOICE - 92 Single-Stage Builder-Grade Gas Furnace, Direct/Non-Direct Vent, Upflow/Horizontal Left/Horizontal Right Condensing Gas Furnace (120/1/60) ②**

Unit Model Number	Airflow In Tons	Output (Btuh)	ICS① AFUE	Flue Size (in)	Ignition Device	Uncrated Dimensions (in.) H x W x D	Shipping Weight (lbs.)	Max Fuse*	Filter Sizes**
S9B1B040U3PSA*	3	39,000	92.1	2, 3, 4	③	34 x 17 <sup>1</sup> / <sub>2</sub> x 28 <sup>3</sup> / <sub>4</sub>	122	15	16 x 25 x 1
S9B1B060U4PSA*	4	58,300	92.1	2, 3, 4	③	34 x 17 <sup>1</sup> / <sub>2</sub> x 28 <sup>3</sup> / <sub>4</sub>	130	15	16 x 25 x 1
S9B1B080U4PSA*	4	77,200	92.1	2, 3, 4	③	34 x 17 <sup>1</sup> / <sub>2</sub> x 28 <sup>3</sup> / <sub>4</sub>	135	15	16 x 25 x 1
S9B1C080U5PSA*	5	77,800	92.1	2, 3, 4	③	34 x 21 x 28 <sup>3</sup> / <sub>4</sub>	149	15	20 x 25 x 1
S9B1C100U5PSA*	5	97,400	92.1	2, 3, 4	③	34 x 21 x 28 <sup>3</sup> / <sub>4</sub>	155	15	20 x 25 x 1
S9B1D120U5PSA*	5	113,400	92.1	3, 4	③	34 x 24 <sup>1</sup> / <sub>2</sub> x 28 <sup>3</sup> / <sub>4</sub>	167	15	24 x 25 x 1



**S9B1**  
Direct Vent  
Downflow

**Table FUR-4-D — CHOICE - 92 Single-Stage Builder-Grade Gas Furnace, Direct/Non-Direct Vent, Downflow Condensing Gas Furnace (120/1/60) ②**

Unit Model Number	Airflow In Tons	Output (Btuh)	ICS① AFUE	Flue Size (in)	Ignition Device	Uncrated Dimensions (in.) H x W x D	Shipping Weight (lbs.)	Max Fuse*	Filter Sizes**
S9B1B040D3PSA*	3	38,900	92.1	2, 3, 4	③	34 x 17 <sup>1</sup> / <sub>2</sub> x 28 <sup>3</sup> / <sub>4</sub>	122	15	(2)14 x 20 x 1
S9B1B060D3PSA*	3	57,600	92.1	2, 3, 4	③	34 x 17 <sup>1</sup> / <sub>2</sub> x 28 <sup>3</sup> / <sub>4</sub>	127	15	(2)14 x 20 x 1
S9B1B080D4PSA*	4	76,900	92.1	2, 3, 4	③	34 x 17 <sup>1</sup> / <sub>2</sub> x 28 <sup>3</sup> / <sub>4</sub>	135	15	(2)14 x 20 x 1
S9B1C100D5PSA*	5	96,800	92.1	2, 3, 4	③	34 x 21 x 28 <sup>3</sup> / <sub>4</sub>	155	15	(2)16 x 20 x 1
S9B1D120D5PSA*	5	115,500	92.1	3, 4	③	34 x 24 <sup>1</sup> / <sub>2</sub> x 28 <sup>3</sup> / <sub>4</sub>	167	15	(2)16 x 20 x 1

① Isolated Combustion System. AFUE may vary based on poise.

② Direct drive 9 speed motor is a high efficiency constant torque ECM blower motor.

③ Silicon Nitride Igniter.

\* Information subject to change. Please confirm with current Product Data/Service Facts for current factory production.

\*\* Filters are not shipped with furnace. For Upflow furnaces, the size is for a bottom return filter.

For Energy Star Information, please refer to: <https://www.ahridirectory.org/>

# Convertible Gas Furnaces

## CHOICE

**Table FUR-5-A – Features**

	CHOICE S9X1 Multi-Speed	CHOICE S9B1 Multi-Speed
• Dry contact Humidifier/EAC hook-up capability.....	✓	—
• Insulated blower compartment.....	✓	—
• Meets requirements for 1% or less air leakage ①.....	✓	—
• Standard 34" height.....	✓	✓
• 3 Way poise Upflow furnace model (Upflow, Horizontal Left, Horizontal Right).....	✓	✓
• Dedicated Downflow furnace model.....	✓	✓
• Front service access with easily accessible burners, sensors, orifices, switches, and other components.....	✓	✓
• Cabinet has no knockouts - Rubber and plastic plugs come installed from factory.....	✓	✓
• Gas can enter either side of cabinet.....	✓	✓
• Condensate can exit either side of cabinet in Upflow orientation.....	✓	✓
• Multiple venting options - Every model, every size will offer two venting options.....	✓	✓
• Integrated Furnace Control board with digital configuration, status, and fault codes.....	✓	✓
• Alpha-numeric diagnostic codes.....	✓	✓
• Adjustable blower off delay for heating and cooling.....	✓	✓
• Last six fault codes are stored (even with power loss).....	✓	✓
• Stainless steel primary and secondary heat exchanger tubes.....	✓	✓
• Longer IFC wire harnesses allow door to be removed without disconnecting the harness.....	✓	✓
• Alternate bottom/left/right return air (upflow models only).....	✓	✓
• Bottom panel.....	✓	✓
• Direct drive, 9 speed ECM blower motor - Constant torque ECM (electronically commutated motor).....	✓	✓
• Dual PVC pipe venting (1 or 2 pipe option).....	✓	✓
• Single-stage combination gas valve and regulator.....	✓	✓
• Gasketed inner and outer door.....	✓	✓
• Heavy gauge reinforced wrap-around steel cabinet.....	✓	✓
• Left/right condensate drain capability in vertical application.....	✓	✓
• Service diagnostics with faults reported on IFC board.....	✓	✓
• Manual reset flame roll out switches.....	✓	✓
• Mobile home approved with mobile home kit.....	✓	✓
• Multi-port in shot burners.....	✓	✓
• Service diagnostic capabilities.....	✓	✓
• Vortica™ II blower housing.....	✓	✓
• Slide out blower assembly on full-length rails.....	✓	✓
• Side return duct starter tabs (upflow models only).....	✓	✓
• Silicon Nitride 120V hot surface igniter.....	✓	✓
• Multiple heating blower speeds.....	✓	✓
• Limited lifetime heat exchanger warranty & 10-year on all other functional parts with registration (Residential Use).....	✓	✓
• Optional extended warranties available.....	✓	✓

① 1.4% on S9B1 models.

\* Registered Limited Warranty terms are available when you register within 60 days of installation. You can register online at Trane.com or by phone at 855-260-2975, otherwise Trane's Base Limited Warranty terms will apply. Base Limited Warranty information on specific products can be found on Comfortsite.com. Product Registration and Registration Transfer exclusions vary in the US from state to state and in Canada from province to province. To determine if there are specific exclusions for your state or province check your local laws.

**Table FUR-5-B – Optional Accessories**

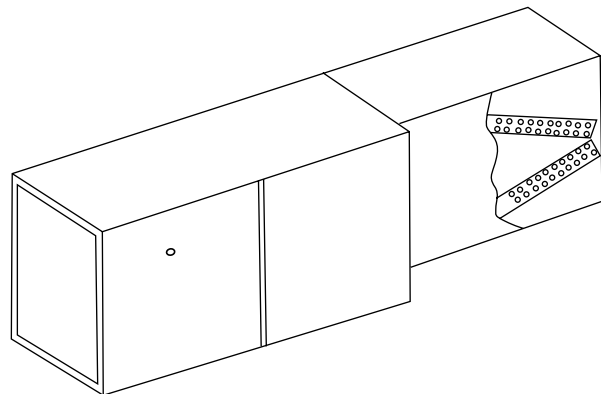
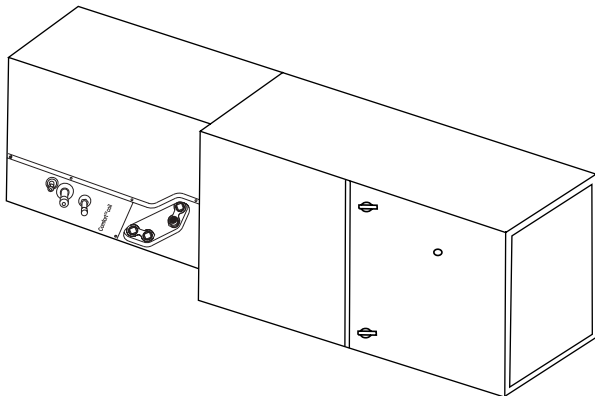
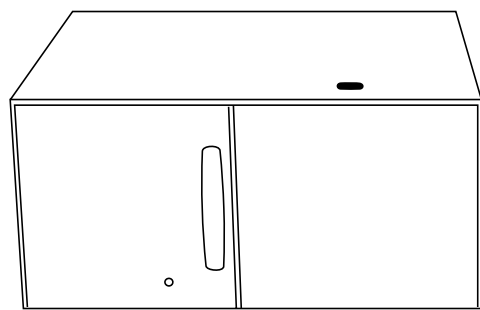
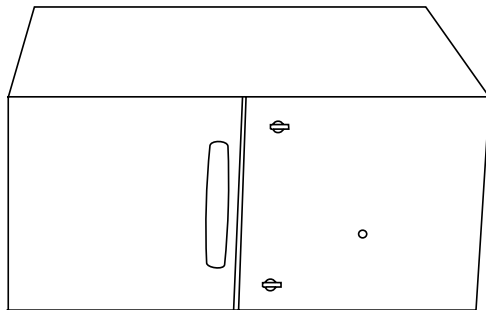
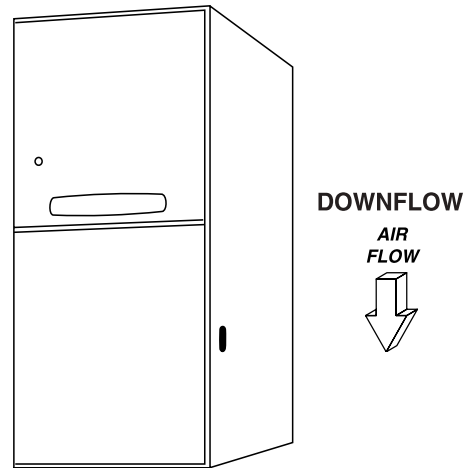
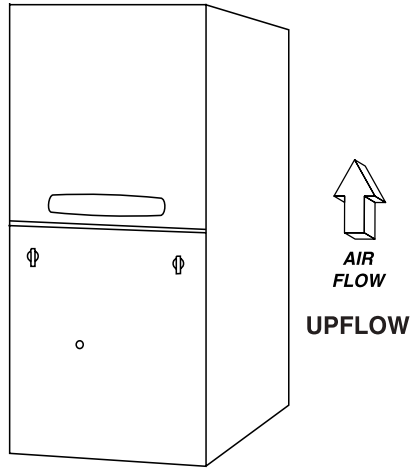
Model Number	Description	Shipping Weight	S9X1 - 1 Stage 1 or 2 Pipe	S9B1 - 1 Stage 1 or 2 Pipe
BAYLPSS400C.....	LP Kit with Stainless Steel Burners.....	3.....	✓	✓
BAYHANG.....	Horizontal hanging kit.....	2.....	✓	✓
BAYVENT200B.....	Sidewall vent Termination Kit fo Direct vent furnaces.....	2.....	✓	✓
BAYVENTCN200B.....	Sidewall vent Termination Kit fo Direct vent furnaces for Canadian applications.....	2.....	✓	✓
BAYAIR30AVENTA.....	Concentric vent kit for 2, 2½ and 3" vent system.....	11.....	✓	✓
BAYAIR30CNVENT.....	Concentric vent kit for 2, 2½ and 3" vent system for Canadian applications.....	11.....	✓	✓
BAYREDUCE.....	Reducer Coupling for Canadian applications (CPVC).....	1.....	✓	✓
BAYLIFTB.....	Dual return kit. B size extension.....	8.....	✓	✓
BAYLIFTC.....	Dual return kit. C size extension.....	9.....	✓	✓
BAYLIFTD.....	Dual return kit. D size extension.....	9.....	✓	✓
BAYMFGH200B.....	Manufactured/mobile home kit.....	1.....	✓	✓
BAYCNDTRAP2A.....	In-line condensate collector for 2" PVC pipe.....	1.....	✓	✓
BAYCNDTRAP3A.....	In-line condensate collector for 3" PVC pipe.....	1.....	✓	✓
BAYBASE205.....	Downflow subbase.....	8.....	✓	✓
BAYFLTR206.....	Filter Access Door Kit (Downflow only).....	2.....	✓	✓
MAYBFERCOLKITA 2.....	Heat Shield, B size cabinet.....	3.....	✓	✓
MAYCFERCOLKITA 2.....	Heat Shield, C size cabinet.....	3.....	✓	✓
MAYDFERCOLKITA 2.....	Heat Shield, D size cabinet.....	3.....	✓	✓
BAYSF1165.....	16x20 1" side return filter rack.....	.....	✓	✓
BAYSF1255.....	16x25 1" side return filter rack (bottom return for 17.5" cabinets).....	.....	✓	✓
BAYBURNERSS.....	Stainless steel natural gas burner kit.....	.....	✓	✓

② Required on furnaces manufactured on or after 7/3/19 (with date code 19273 or after) when installed with a 4MXC or 4GXC coils in upflow or horizontal position. Not required in Downflow orientation.

For complete equipment / combination selections, installation instructions and warranty information, please refer to Product Data/Ratings and/or Installers Guides and Limited Warranty Handbooks.

# 96 Modulating Variable Speed Gas Furnace Air Flow Directions

## PREMIER



**Note:** The forty inch (40") height condensing downflow/horizontal and upflow/horizontal furnaces may only be rotated onto their left side. Connection brackets for coil/furnace alignment are included with the furnaces. The apex of the coil may point into or away from the airflow.

# 96 Modulating Variable Speed Gas Furnace

## PREMIER



**XC95m  
Direct/  
Non-Direct  
Vent Upflow**

**Table FUR-7-A — PREMIER - 96 Modulating Variable Speed Gas Furnace  
Direct/Non-Direct Vent, Upflow/Horizontal Left Condensing Gas Furnace (115/1/60) ④⑤⑥**

Unit Model Number	Airflow In Tons	Output (Btuh)		ICS① AFUE Upflow / Horiz	Flue Size (in)	Uncrated Dimensions (in.) H x W x D	Shipping Weight (lbs.)	Max Fuse*	Filter Sizes**
		High Stage 100%	Low Stage 40%②						
TUHMB060CCV3V*	3	57,000	23,000	97.3 / 96.5	2, 2 1/2, 3	40 x 17 1/2 x 28	158	15	17 x 25 x 1
TUHMB080CCV3V*	3	76,000	31,000	97.0 / 96.2	2, 2 1/2, 3	40 x 17 1/2 x 28	168	15	17 x 25 x 1
TUHMC100CCV4V*	4	95,000	39,000	96.0 / 95.2	2 1/2, 3	40 x 21 x 28	197	15	20 x 25 x 1
TUHMD120CCV5V*	5	114,000	52,000	97.0 / 96.2	3	40 x 24 1/2 x 28	206	15	24 x 25 x 1



**XC95m  
Direct/  
Non-Direct  
Vent  
Downflow**

**Table FUR-7-B — PREMIER - 96 Modulating Variable Speed Gas Furnace  
Direct/Non-Direct Vent, Downflow/Horizontal Right Condensing Gas Furnace (115/1/60) ④⑤⑥**

Unit Model Number	Airflow In Tons	Output (Btuh)		ICS① AFUE	Flue Size (in)	Ignition Device	Uncrated Dimensions (in.) H x W x D	Shipping Weight (lbs.)	Max Fuse*	Filter Sizes**
		High Stage 100%	Low Stage 40%②							
TDHMB060CCV3V*	3	57,000	22,800	95.0	2, 2 1/2, 3	⑤	40 x 17 1/2 x 28	160	15	(2)14 x 20 x 1
TDHMB080CCV3V*	3	76,000	30,400	96.0	2, 2 1/2, 3	⑤	40 x 17 1/2 x 28	168	15	(2)14 x 20 x 1
TDHMC100CCV4V*	4	96,000	38,400	96.0	2 1/2, 3	⑤	40 x 21 x 28	185	15	(2)16 x 20 x 1
TDHMD120CCV5V*	5	114,000	51,300	95.0	3	⑤	40 x 24 1/2 x 28	206	15	(2)16 x 20 x 1

Note: Variable speed furnaces should not be twinned and are not approved for twinning applications.

① Isolated Combustion System. AFUE may vary based on poise.

② Low stage is equal to 45% for the TUHMD120 model.

③ Field configurable to 24V non-communicating mode.

④ Direct drive variable speed motor is an ECM constant airflow blower motor.

⑤ Silicon Nitride Igniter.

⑥ Must use communicating thermostat with ComfortLink™ II control.

\* Information subject to change. Please confirm with current Product Data/Service Facts for current factory production.

\*\* For Upflow furnaces, the size is for a bottom return filter.

For Energy Star Information, please refer to: <https://www.ahridirectory.org/>



# 96 Modulating Variable Speed Gas Furnace

## PREMIER

### Airflow Directions:

Downflow models when placed in horizontal position provide left to right airflow.  
Upflow models when placed in horizontal position provide right to left airflow.

Table FUR-8-A — Features

	PREMIER TUHM/TDHM Modulating 1 or 2 Pipe Variable Speed
• Comfort-R™ enhanced mode (cooling) .....	✓
• ComfortLink™ II system① .....	✓
• Meets requirements for 2% or less air leakage.....	✓
• Adjustable heating fan off timing .....	✓
• Alternate bottom/left/right return air (upflow models only) .....	✓
• Blower door safety switch.....	✓
• Bottom panel (upflow models only).....	✓
• Cleanable/Reusable high velocity filters.....	✓
• Complete front service access.....	✓
• Direct drive, variable speed ECM blower motor**.....	✓
• Downflow horizontal right (downflow models only).....	✓
• Dual PVC pipe venting (1 or 2 pipe option).....	✓
• Modulating gas valve and regulator.....	✓
• Gasketed blower door (upflow models only).....	✓
• Heavy gauge reinforced wrap-around steel cabinet .....	✓
• Humidifier/EAC hook-up capability.....	✓
• Inner blower door panel (downflow models only).....	✓
• Insulated blower compartment 4 sides.....	✓
• Integrated solid state control w/self diagnostics.....	✓
• Left/right condensate drain capability in vertical application .....	✓
• Service diagnostics with faults reported at the user interface .....	✓
• Lite Port™/Stored diagnostics .....	✓
• Manual reset flame roll out switches.....	✓
• Multi-port in shot burners.....	✓
• Service diagnostic capabilities .....	✓
• Side return duct starter tabs (upflow models only) .....	✓
• Silicon Nitride hot surface igniter.....	✓
• Slide out blower assembly .....	✓
• Solid burner door (quiet operation).....	✓
• 20 gauge aluminized steel heat exchanger.....	✓
• 24 volt secondary fuse.....	✓
• Multiple heating blower speeds.....	✓
• Type 29-4C™ stainless steel secondary heat exchanger .....	✓
• Upflow horizontal left (upflow models only).....	✓
• Variable speed venter motor.....	✓
• Limited lifetime heat exchanger warranty & 10-year on all other functional parts with registration* (Residential Use) .....	✓
• Optional extended warranties available .....	✓

Note: Variable speed furnaces should not be twinned and are not approved for twinning applications.

① Field configurable to 24V non-communicating mode.

\* Registered Limited Warranty terms are available when you register within 60 days of installation. You can register online at Trane.com or by phone at 855-260-2975, otherwise Trane's Base Limited Warranty terms will apply. Base Limited Warranty information on specific products can be found on Comfortsite.com. Product Registration and Registration Transfer exclusions vary in the US from state to state and in Canada from province to province. To determine if there are specific exclusions for your state or province check your local laws.

\*\*Constant airflow ECM (electronically commutated motor).

Furnaces

# 96 Modulating Variable Speed Gas Furnace

## PREMIER

### Airflow Directions:

Downflow models when placed in horizontal position provide left to right airflow.  
Upflow models when placed in horizontal position provide right to left airflow.

PREMIER  
TUHM/TDHM  
Modulating  
1 or 2 Pipe  
Variable Speed

**Table FUR-9-A – Optional Accessories**

Model Number	Description	Shipping Weight	
BAYBASE205.....	Downflow subbase for downflow models only .....	8.....	✓
BAYFLTR200.....	External side filter rack.....	5.....	✓
BAYFLTR317①.....	Cleanable filter for 17.5" cabinet upflow only.....	2.....	✓
BAYFLTR321①.....	Cleanable filter for 21" cabinet upflow only .....	2.....	✓
BAYFLTR324①.....	Cleanable filter for 24.5" cabinet upflow only.....	2.....	✓
BAYLPKT220B.....	Propane conversion kit .....	2.....	✓
BAYLPSS220C.....	LP Kit with Stainless Steel Burners .....	2.....	✓
BAYRACK960A③.....	Filter rack kit for upflow models only (internal)②.....	5.....	✓
BAYAIR30AVENTA.....	Concentric vent kit for 2, 2½ and 3" vent system .....	11.....	✓
BAYAIR30CNVENT.....	Concentric vent kit for 2, 2½ and 3" vent system for Canadian applications .....	11.....	✓
BAYVENT200B.....	Sidewall vent Termination Kit fo Direct vent furnaces.....	2.....	✓
BAYVENTCN200B.....	Sidewall vent Termination Kit fo Direct vent furnaces for Canadian applications.....	2.....	✓
BAYVENT500A.....	Side vent kit for downflow models only .....	3.....	TDHM

Note: Variable speed furnaces should not be twinned and are not approved for twinning applications.

- ① Contains one (1) high velocity filter.
- ② Internal filter rack for side or bottom return air. Includes 17 x 25" cleanable filter for use in side return applications. Bottom return applications require different sizes of filters which are not included. Airflow requirements over 1800 CFM require filters on both sides or a side and bottom or bottom only.
- ③ BAYRACK960A not allowed on right side return on TUH2B080A9V4V\*\* models.

Furnaces

## Special Use Furnace Accessories

**Table FUR-9-B – High Altitude Pressure Switch 90%**

Model Number	Description	Used With	Shipping Weight
BAYSWT07AHALTA	1 Switch	TUHMB060, TDHMB060	2
BAYSWT08AHALTA	1 Switch	TUHMD120, TDHMD120	2
BAYSWT09AHALTA	1 Switch	TUHMB080, TDHMB080, TUHMC100, TDHMC100	2

# 80 Two-Stage Variable Speed Gas Furnace

## PREMIER



**S8V2-C  
2-Stage**

**Table FUR-10-A — PREMIER - 80 Two-Stage Variable Speed Gas Furnace, Upflow/Downflow/Horizontal Left/Horizontal Right, Non-Condensing, Induced Draft Gas Furnace (120/1/60) ②**

Unit Model Number	Airflow In Tons	Output (Btuh)		ICS① AFUE	Flue Size (in)	Ignition Device	Uncrated Dimensions (in.) H x W x D	Shipping Weight (lbs.)	Max Fuse*	Filter Sizes**
		Stage 2	Stage 1							
S8V2A040M3PCB*	2-3	32,200	21,000	80	4	③	34 x 14.5 x 28.75	102	15	14 x 25 x 1
S8V2B060M4PCB*	3-4	49,100	31,300	80	4	③	34 x 17.5 x 28.75	132	15	16 x 25 x 1
S8V2B080M4PCB*	3-4	65,800	41,200	80	4	③	34 x 17.5 x 28.75	137	15	16 x 25 x 1
S8V2C080M5PCB*	4-5	64,800	41,800	80	4	③	34 x 21 x 28.75	142	15	20 x 25 x 1
S8V2C100M5PCB*	4-5	81,200	52,300	80	4	③	34 x 21 x 28.75	144	15	20 x 25 x 1
S8V2D120M5PCB*	4-5	98,000	67,900	80	4	③	34 x 24.5 x 28.75	160	15	24 x 25 x 1
<b>Low NOx Models ④</b>										
S8V2A040M3PDB*	2-3	32,200	21,000	80	4	③	34 x 14.5 x 28.75	102	15	14 x 25 x 1
S8V2B060M4PDB*	3-4	49,100	31,300	80	4	③	34 x 17.5 x 28.75	132	15	16 x 25 x 1
S8V2B080M4PDB*	3-4	65,800	41,200	80	4	③	34 x 17.5 x 28.75	137	15	16 x 25 x 1
S8V2C080M5PDB*	4-5	64,800	41,800	80	4	③	34 x 21 x 28.75	142	15	20 x 25 x 1
S8V2C100M5PDB*	4-5	81,200	52,300	80	4	③	34 x 21 x 28.75	144	15	20 x 25 x 1
S8V2D120M5PDB*	4-5	98,000	67,900	80	4	③	34 x 24. x 28.75	160	15	24 x 25 x 1

① IICS - Isolated Combustion System

② Direct drive variable speed blower motor is an ECM constant airflow blower motor.

③ Silicon Nitride Igniter

④ These models comply with 40ng/J Low NOx regulations.

\* Information subject to change. Please confirm with current Product Data/Service Facts for current factory production.

\*\* Filters are not shipped with furnace

HUB & Sensor and UI (TLINK360A2VBU\*) must be ordered to operate in Link communicating mode.

# 80 Two-Stage Gas Furnace

## PRIORITY



**S8X2  
4-Way  
Multi-Poise**

**Table FUR-10-B — PRIORITY - 80 Two-Stage Gas Furnace, Upflow/Downflow/Horizontal Left/Horizontal Right, Non-Condensing, Induced Draft Gas Furnace (120/1/60) ②**

Unit Model Number	Airflow In Tons	Output (Btuh)		ICS① AFUE	Flue Size (in)	Ignition Device	Uncrated Dimensions (in.) H x W x D	Shipping Weight (lbs.)	Max Fuse*	Filter Sizes**
		Stage 2	Stage 1							
S8X2A040M3PSC*	2-3	32,200	20,900	80.0	4	③	34 x 14 1/2 x 28 3/4	102	15	14 x 25 x 1
S8X2B060M4PSC*	4	48,700	31,500	80.0	4	③	34 x 17 1/2 x 28 3/4	132	15	16 x 25 x 1
S8X2B080M4PSC*	3-4	65,000	42,500	80.0	4	③	34 x 17 1/2 x 28 3/4	137	15	16 x 25 x 1
S8X2C080M5PSC*	4-5	64,900	41,800	80.0	4	③	34 x 21 x 28 3/4	142	15	20 x 25 x 1
S8X2C100M5PSC*	4-5	80,600	52,300	80.0	4	③	34 x 21 x 28 3/4	144	15	20 x 25 x 1
S8X2D120M5PSC*	5	98,000	67,800	80.0	4	③	34 x 24 1/2 x 28 3/4	160	15	24 x 25 x 1
<b>Low NOx Models ④</b>										
S8X2A040M3PTC*	2-3	32,200	20,900	80.0	4	③	34 x 14 1/2 x 28 3/4	102	15	14 x 25 x 1
S8X2B060M4PTC*	4	48,700	31,500	80.0	4	③	34 x 17 1/2 x 28 3/4	132	15	16 x 25 x 1
S8X2B080M4PTC*	3-4	65,000	42,500	80.0	4	③	34 x 17 1/2 x 28 3/4	137	15	16 x 25 x 1
S8X2C080M5PTC*	4-5	64,900	41,800	80.0	4	③	34 x 21 x 28 3/4	142	15	20 x 25 x 1
S8X2C100M5PTC*	4-5	80,600	52,300	80.0	4	③	34 x 21 x 28 3/4	144	15	20 x 25 x 1

① Isolated Combustion System.

② 9 Speed direct drive motor is an ECM constant torque motor.

③ Silicon Nitride Igniter.

④ These models comply with California 40ng/J Low NOx regulations.

\* Information subject to change. Please confirm with current Product Data/Service Facts for current factory production.

\*\* Filters are not shipped with furnace.

## 80 Single-Stage Gas Furnace

### CHOICE



**S8X1**  
4-Way  
Multi-Poise

**Table FUR-11-A — CHOICE - 80 Single-Stage Gas Furnace, Upflow/Downflow/Horizontal Left/Horizontal Right, Non-Condensing, Induced Draft Gas Furnace (120/1/60) ②**

Unit Model Number	Airflow In Tons	Output (Btuh)	ICS① AFUE	Flue Size (in)	Ignition Device	Uncrated Dimensions (in.) H x W x D	Shipping Weight (lbs.)	Max Fuse*	Filter Sizes**
S8X1A040M3PSC*	2-3	32,300	80.0	4	③	34 x 14 <sup>1</sup> / <sub>2</sub> x 28 <sup>3</sup> / <sub>4</sub>	102	15	14 x 25 x 1
S8X1B040M2PSC*	2	32,500	80.0	4	③	34 x 17 <sup>1</sup> / <sub>2</sub> x 28 <sup>3</sup> / <sub>4</sub>	128	15	16 x 25 x 1
S8X1B060M4PSC*	4	48,700	80.0	4	③	34 x 17 <sup>1</sup> / <sub>2</sub> x 28 <sup>3</sup> / <sub>4</sub>	132	15	16 x 25 x 1
S8X1B080M4PSC*	3-4	65,100	80.0	4	③	34 x 17 <sup>1</sup> / <sub>2</sub> x 28 <sup>3</sup> / <sub>4</sub>	137	15	16 x 25 x 1
S8X1C080M5PSC*	4-5	64,700	80.0	4	③	34 x 21 x 28 <sup>3</sup> / <sub>4</sub>	142	15	20 x 25 x 1
S8X1C100M5PSC*	4-5	80,700	80.0	4	③	34 x 21 x 28 <sup>3</sup> / <sub>4</sub>	144	15	20 x 25 x 1
S8X1D120M5PSC*	5	98,000	80.0	4	③	34 x 24 <sup>1</sup> / <sub>2</sub> x 28 <sup>3</sup> / <sub>4</sub>	160	15	24 x 25 x 1
<b>Low NOx Models ④</b>									
S8X1A040M3PTC*	2-3	32,300	80.0	4	③	34 x 14 <sup>1</sup> / <sub>2</sub> x 28 <sup>3</sup> / <sub>4</sub>	102	15	14 x 25 x 1
S8X1B060M4PTC*	4	48,700	80.0	4	③	34 x 17 <sup>1</sup> / <sub>2</sub> x 28 <sup>3</sup> / <sub>4</sub>	132	15	16 x 25 x 1
S8X1B080M4PTC*	3-4	65,100	80.0	4	③	34 x 17 <sup>1</sup> / <sub>2</sub> x 28 <sup>3</sup> / <sub>4</sub>	137	15	16 x 25 x 1
S8X1C080M5PTC*	4-5	64,700	80.0	4	③	34 x 21 x 28 <sup>3</sup> / <sub>4</sub>	142	15	20 x 25 x 1
S8X1C100M5PTC*	4-5	80,700	80.0	4	③	34 x 21 x 28 <sup>3</sup> / <sub>4</sub>	144	15	20 x 25 x 1
S8X1D120M5PTC*	5	98,000	80.0	4	③	34 x 24 <sup>1</sup> / <sub>2</sub> x 28 <sup>3</sup> / <sub>4</sub>	160	15	24 x 25 x 1

① Isolated Combustion System.

② 9 Speed direct drive motor is an ECM constant torque motor.

③ Silicon Nitride Igniter.

④ These models comply with California 40ng/J Low NOx regulations.

\* Information subject to change. Please confirm with current Product Data/Service Facts for current factory production.

\*\* Filters are not shipped with furnace.



**S8B1**  
4-Way  
Multi-Poise

**Table FUR-11-B — CHOICE - 80 Single-Stage Builder-Grade Gas Furnace, Upflow/Downflow/Horizontal Left/Horizontal Right, Non-Condensing, Induced Draft Gas Furnace (120/1/60) ②**

Unit Model Number	Airflow In Tons	Output (Btuh)	ICS① AFUE	Flue Size (in)	Ignition Device	Uncrated Dimensions (in.) H x W x D	Shipping Weight (lbs.)	Max Fuse*	Filter Sizes**
S8B1A040M3PSC*	2-3	32,300	80.0	4	③	34 x 14 <sup>1</sup> / <sub>2</sub> x 28 <sup>3</sup> / <sub>4</sub>	102	15	14 x 25 x 1
S8B1B040M2PSC*	2	32,500	80.0	4	③	34 x 17 <sup>1</sup> / <sub>2</sub> x 28 <sup>3</sup> / <sub>4</sub>	128	15	16 x 25 x 1
S8B1B060M4PSC*	4	48,700	80.0	4	③	34 x 17 <sup>1</sup> / <sub>2</sub> x 28 <sup>3</sup> / <sub>4</sub>	132	15	16 x 25 x 1
S8B1B080M4PSC*	3-4	65,100	80.0	4	③	34 x 17 <sup>1</sup> / <sub>2</sub> x 28 <sup>3</sup> / <sub>4</sub>	137	15	16 x 25 x 1
S8B1C080M5PSC*	4-5	64,700	80.0	4	③	34 x 21 x 28 <sup>3</sup> / <sub>4</sub>	142	15	20 x 25 x 1
S8B1C100M5PSC*	4-5	80,700	80.0	4	③	34 x 21 x 28 <sup>3</sup> / <sub>4</sub>	144	15	20 x 25 x 1
S8B1D120M5PSC*	5	98,000	80.0	4	③	34 x 24 <sup>1</sup> / <sub>2</sub> x 28 <sup>3</sup> / <sub>4</sub>	160	15	24 x 25 x 1

① Isolated Combustion System.

② 9 Speed direct drive motor is an ECM constant torque motor.

③ Silicon Nitride Igniter.

\* Information subject to change. Please confirm with current Product Data/Service Facts for current factory production.

\*\* Filters are not shipped with furnace.

# Convertible Gas Furnaces

**Table FUR-12-A — Features**

	PREMIER S8V2-C 2 Stage	PRIORITY S8X2 2 Stage	CHOICE S8X1 1 Stage	CHOICE S8B1 1 Stage
• Trane® Link™ Communicating Capability .....	✓	—	—	—
• Can be connected in communicating or 24V non-communicating modes .....	✓	—	—	—
• High Efficiency, Variable Speed Constant Airflow blower motor .....	✓	—	—	—
• Two stage combination gas valve and regulator .....	✓	✓	—	—
• Dry contact Humidifier/EAC hook-up capability .....	✓	✓	✓	—
• Insulated blower compartment ① .....	✓	✓	✓	—
• Meets requirements for 1% or less air leakage 2 .....	✓	✓	✓	—
• Direct drive, 9 speed Constant Torque ECM blower motor .....	—	✓	✓	✓
• Painted cabinet two tone color .....	✓	✓	✓	✓
• Standard 34" height .....	✓	✓	✓	✓
• 4 Way poise (Upflow, Downflow, Horizontal Left, Horizontal Right) .....	✓	✓	✓	✓
• Front service access with easily accessible burners, sensors, orifices, switches, and other components...	✓	✓	✓	✓
• Cabinet has no knockouts - Plastic plugs come installed from factory .....	✓	✓	✓	✓
• Gas can enter either side of cabinet .....	✓	✓	✓	✓
• Multiple venting options - Every model, every size offers two venting options .....	✓	✓	✓	✓
• Integrated Furnace Control board with digital configuration, status, and fault codes .....	✓	✓	✓	✓
• Alpha-numeric diagnostic codes .....	✓	✓	✓	✓
• Adjustable blower off delay for heating and cooling .....	✓	✓	✓	✓
• Last six fault codes are stored (even with power loss) .....	✓	✓	✓	✓
• Aluminized heat exchanger tubes .....	✓	✓	✓	✓
• Longer IFC wire harnesses allow door to be removed without disconnecting the harness .....	✓	✓	✓	✓
• Alternate bottom/left/right return air (except downflow) .....	✓	✓	✓	✓
• Bottom panel .....	✓	✓	✓	✓
• Heavy gauge reinforced wrap-around steel cabinet .....	✓	✓	✓	✓
• Service diagnostics with faults reported on IFC board .....	✓	✓	✓	✓
• Manual reset flame roll out switches .....	✓	✓	✓	✓
• Multi-port in shot burners .....	✓	✓	✓	✓
• Service diagnostic capabilities .....	✓	✓	✓	✓
• Vortica™ II blower housing .....	✓	✓	✓	✓
• Slide out blower assembly on full-length rails .....	✓	✓	✓	✓
• Side return duct starter tabs .....	✓	✓	✓	✓
• Silicon Nitride 120V hot surface igniter .....	✓	✓	✓	✓
• Multiple heating blower speeds .....	✓	✓	✓	✓
• Limited Lifetime warranty on the heat exchanger & 10-year on all other functional parts with registration (Residential Use) .....	✓	—	—	—
• 20-year limited warranty on the heat exchanger & 10-year on all other functional parts with registration (Residential Use)* .....	—	✓	✓	✓
• Optional extended warranties available .....	✓	✓	✓	✓

① 14.5" cabinets do not have blower compartment insulation

\* Registered Limited Warranty terms are available when you register within 60 days of installation. You can register online at Trane.com or by phone at 855-260-2975, otherwise Trane's Base Limited Warranty terms will apply. Base Limited Warranty information on specific products can be found on Comfortsite.com. Product Registration and Registration Transfer exclusions vary in the US from state to state and in Canada from province to province. To determine if there are specific exclusions for your state or province check your local laws.

**Table FUR-12-B — Optional Accessories**

Model Number	Description	Shipping Weight	PREMIER S8V2-C 2 Stage	PRIORITY S8X2 2 Stage	CHOICE S8X1 1 Stage	CHOICE S8B1 1 Stage
BAYLPSS400C.....	LP Kit with Stainless Steel Burners.....	3.....	✓	✓	(except 026)	(except 026)
BAYHANG .....	Horizontal hanging kit .....	2.....	✓	✓	✓	✓
BAYSF1165A .....	1" SlimFit Box with MERV 4 Filter (side return) .....	5.....	✓	✓	✓	✓
BAYVENT600A①.....	Internal venting kit .....	11.....	✓	✓	✓	✓
BAYVENT800B.....	Masonry Chimney Vent Kit .....	11.....	✓	✓	✓	✓
PIP02095.....	U fitting for gas piping .....	1.....	✓	✓	✓	✓
BAYLIFTB.....	Dual return kit. B cabinet size extension .....	8.....	✓	✓	✓	✓
BAYLIFTC .....	Dual return kit. C cabinet size extension .....	9.....	✓	✓	✓	✓
BAYLIFTD .....	Dual return kit. D cabinet size extension .....	9.....	✓	✓	✓	✓
BAYBASE205.....	Downflow subbase .....	8.....	✓	✓	✓	✓
BAYFLTR206.....	Filter Access Door Kit (Downflow only) .....	2.....	✓	✓	✓	✓
BAYSF1165 .....	16x20 1" side return filter rack .....	.....	✓	✓	✓	✓
BAYSF1255.....	16x25 1" side return filter rack (bottom return for 17.5" cabinets).....	.....	✓	✓	✓	✓
BAYBURNERSS.....	Stainless steel natural gas burner kit.....	.....	✓	✓	✓	✓
BAYFURNPTKT .....	Optional return static sensor .....	.....	✓	—	—	—
BAYSENSC360 .....	Supply Air Temperature Sensor* .....	.....	✓	—	—	—

① Compatible with B, C, and D width cabinets.

\*Optional in 24v mode



It's Hard To Stop A Trane.®

# Convertible Gas Furnaces

**Table FUR-13-A — High Altitude Pressure Switch S8 Furnaces**

Model Number	Description	Used With	Shipping Weight
BAYSWT14AHALTB	1 Switch	S8X1C080M5PSA* <sup>①</sup> , S8X1C100M5PSA* <sup>①</sup> , S8B1C080M5PSA* <sup>①</sup> , S8B1C100M5PSA* <sup>①</sup>	2
BAYSWT15AHALTA	1 Switch	S8X1B060M3PSA* <sup>①</sup> , S8X1B060M4PSA* <sup>①</sup> , S8X1B080M4PSB* <sup>①</sup> , S8B1B060M3PSA* <sup>①</sup> , S8B1B060M4PSA* <sup>①</sup> , S8B1B080M4PSB* <sup>①</sup>	2
BAYSWT16AHALTA	2 Switches	S8X2C080M5PSA* <sup>①</sup> , S8V2C080M5P*	2
BAYSWT17AHALTA	2 Switches	S8X2B060M3PSA*, S8X2B060M4PSA*	2
BAYSWT18AHALTA	2 Switches	S8X2B080M4PSB* <sup>①</sup> , S8V2B080M4P*	2
BAYSWT19AHALTA	2 Switches	S8X2C100M5PSA* <sup>①</sup> , S8V2C100M5P*	2
BAYSWT20AHALTA	1 Switch	S8X1A026M2PSA* <sup>①</sup> , S8B1A026M2PSA* <sup>①</sup>	2
BAYSWT21AHALTA	1 Switch	S8X1A040M3PSA* <sup>①</sup> , S8X1A040M3PSA* <sup>①</sup> , S8X1B040M2PSA* <sup>①</sup> , S8B1B040M2PSA* <sup>①</sup>	2
BAYSWT22AHALTA	2 Switches	S8X2A040M3PSA* <sup>①</sup> , S8V2A040M3P*	2
BAYSWT23AHALTA	2 Switches	S8X2B060M3PSA* <sup>②</sup> , S8X2B060M4PS* <sup>②</sup> , S8V2B060M4P*	2
BAYSWT24AHALTA	2 Switches	S8V2D120M5P*	2

Note: S8X1D120M5, S8B1D120M5, and S8X2D120M5 do not require high altitude pressure switch kits.

① SAAA & later or TAAA & later

② SAAB & later or TAAA & later

Furnaces

# 80 Single-Stage Variable Speed Ultra-Low Nox Gas Furnace

## PRIORITY



L8V1

**Table FUR-14-A — PRIORITY - 80 Single-Stage Variable Speed Ultra-Low Nox Gas Furnace**

Model Number	Airflow in Tons	Output (BTUH)	ICS AFUE	Flue Size (in.)	Ignition Device	Uncrated Dimensions (in.)			Shipping Weight (lbs.)	Max. Fuse	Filter Sizes
						H	W	D			
L8V1A040U3VSB*	3	31,700	80	4	Silicon Nitride	34	14½	28¾	100	15	14 x 25 x 1
L8V1A060U3VSB*	3	48,100	80	4	Silicon Nitride	34	14½	28¾	110	15	14 x 25 x 1
L8V1B080U4VSB*	4	63,000	80	4	Silicon Nitride	34	17½	28¾	123	15	16 x 25 x 1
L8V1C100U5VSB*	5	80,200	80	4	Silicon Nitride	34	21	28¾	146	15	20 x 25 x 1

**Table FUR-14-B — Features**

	PRIORITY L8V1
• Cabinet height (in.).....	34.0
• 3-Way poise (Upflow, Horizontal Left, Horizontal Right) .....	✓
• Cabinet has no knockouts .....	✓
• Single stage .....	✓
• High Efficiency, Variable Speed blower motor .....	✓
• Stainless Steel, Tubular heat exchanger .....	✓
• Insulated blower compartment.....	✓
• Vortica™ II Blower Housing .....	✓
• Meets requirements for 1% or less cabinet air leakage <sup>2</sup> .....	✓
• Silicon Nitride hot surface igniter .....	✓
• Limited lifetime warranty on the heat exchanger & 10-year on all other functional parts with registration* .....	✓

\* Registered Limited Warranty terms are available when you register within 60 days of installation. You can register online at [Trane.com](http://Trane.com) or by phone at 855-260-2975, otherwise Trane's Base Limited Warranty terms will apply. Base Limited Warranty information on specific products can be found on [Comfortsite.com](http://Comfortsite.com). Product Registration and Registration Transfer exclusions vary in the US from state to state and in Canada from province to province. To determine if there are specific exclusions for your state or province check your local laws.

**Table FUR-14-C — Optional Accessories**

Model Number	Description	
BAYSPACER .....	6 inch vertical coil spacer .....	—

**Table FUR-14-D — High Altitude Kits**

Model Number	Description	Used With
BAYHALTMOD008	High altitude kit for units installed between 4001 - 7800 ft.	L8V1A040U3VSB
BAYHALTMOD009	High altitude kit for units installed between 4001 - 7800 ft.	L8V1A060U3VSB
BAYHALTMOD010	High altitude kit for units installed between 4001 - 7800 ft.	L8V1B080U4VSB
BAYHALTMOD011	High altitude kit for units installed between 4001 - 7800 ft.	L8V1C100U5VSB

# Trane CleanEffects™ Whole House Air Cleaner



## Trane CleanEffects™ Whole House Air Cleaner:

- Trane CleanEffects™ removes up to 99.98% of allergens from the filtered air
- Removes particles down to 0.3 micron in size
- CleanEffects® Whole Home Air Cleaner removes more than 99% of the surrogate for the virus that causes COVID-19 within 30 minutes.
- Outperforms HEPA type filters, and up to 100 times more effective than a standard 1" filter
- Constructed of painted 18 gage metal to protect the filter and internal electronics
- Power door provides easy access to internal components and features a filter status display as well as safety interlocks that automatically shut down the power when the door is opened for maintenance or cleaning
- Designed for flush fit on both sides and rear of equipment cabinet
- No transitions required on Trane CleanEffects™ applications
- Gaskets included with the air cleaner
- ComfortLink II™ communicating or 24 volt capability
- 10-Year Limited Warranty with registration\*
- Trane CleanEffects™ certified as **asthma & allergy friendly™** by AAFA (Asthma and Allergy Foundation of America)
- Zero ozone emissions. Cleaner air without harmful ozone byproducts so you can breathe easier

**Table IAQ-1-A – Air Handler – 24 Volt Trane CleanEffects™ Whole House Air Cleaner**

Model Number	Airflow Range	Trane CleanEffects™ Air Handler Width	Uncrated Dimensions (in.) H x W x D	Shipping Weight
EFD175DLAH000B	300-1200	17½ inch	7½ x 17½ x 21	37
EFD215DLAH000B	300-1200	21½ inch	7½ x 21½ x 21	42
EFD235DLAH000B	350-1600	23½ inch	7½ x 23½ x 21	44

**Table IAQ-1-B – Upflow / Side Return Furnace – 24 Volt Trane CleanEffects™ Whole House**

Model Number	Airflow Range	Trane CleanEffects™ Furnace Width	Uncrated Dimensions (in.) H x W x D	Shipping Weight
EFD145DLFR000B	300-1200	14½ inch <sup>①</sup>	7½ x 14½ x 27	39
EFD175DLFR000B	300-1600	17½ inch <sup>①</sup>	7½ x 17½ x 27	43
EFD210DLFR000B	300-2000	21 inch <sup>②</sup>	7½ x 21 x 27	47
EFD245DLFR000B	400-2000	24½ inch <sup>②</sup>	7½ x 24½ x 27	49

**Table IAQ-1-C – Downflow Furnace – 24 Volt Trane CleanEffects™ Whole House**

Model Number	Airflow Range	Trane CleanEffects™ Furnace Width	Uncrated Dimensions (in.) H x W x D	Shipping Weight
EFD17DDLFR000B	300-1600	17½ inch	7½ x 17½ x 21	37
EFD21DDLFR000B	300-2000	21 inch	7½ x 21 x 21	41

**Table IAQ-1-D – Accessories – Trane CleanEffects™ Whole House**

Model Number	Description	Used With	Shipping Weight
BAYTRANS12024	120 to 24 Volt Transformer	All EFD Air Cleaners	6

- ① Side return no transition required.  
② Side return transition required.

**Table IAQ-1-E – Air Handler Filters**

ifD Filter	AIR HANDLER MODEL NUMBER	
	A	B
EFD175	17½	15
EFD215	21½	19
EFD235	23½	21

**Table IAQ-1-G – Downflow Furnace Filters**

ifD Filter	FURNACE MODEL NUMBER	
	A	B
EFD17D	17½	14 <sup>7</sup> / <sub>8</sub>
EFD21D	21	18 <sup>3</sup> / <sub>8</sub>
EFD24D	24½	21 <sup>7</sup> / <sub>8</sub>

**Table IAQ-1-F – Upflow Furnace Filters**

ifD Filter	FURNACE MODEL NUMBER	
	A	B
EFD145	14½	12
EFD175	17½	15
EFD210	21	18½
EFD245	24½	22

\* Registered Limited Warranty terms are available when you register within 60 days of installation. You can register online at Trane.com or by phone at 855-260-2975, otherwise Trane's Base Limited Warranty terms will apply. Base Limited Warranty information on specific products can be found on Comfortsite.com. Product Registration and Registration Transfer exclusions vary in the US from state to state and in Canada from province to province. To determine if there are specific exclusions for your state or province check your local laws.

## Perfect Fit™ Filter Accessories

**Table IAQ-2-A – Furnace Cartridge Media**

Model Number	Description	Qty	Enclosure Used with	Shipping Weight
BAYFTFREXM2	Expandable 5" Cartridge Media Filter	2 / Box	14 1/2 - 24 1/2 x 27	5

**Table IAQ-2-B – Air Handler Cartridge Media**

Model Number	Description	Qty	Enclosure Used with	Shipping Weight
BAYFTAHEXM2	Expandable 5" Cartridge Media Filter	2 / Box	21 1/2 - 26 x 21	5



### SlimFit Filters

- Available in cabinet widths for the TEM Air Handlers.
- Available for the S-Series Furnaces with side return.
- Polyslate Gray 18 gauge steel painted frame to match cabinet
- Low profile 2" depth cabinet
- Hinged front door for easy filter replacement
- MERV 4 rated pleated filter included for recurring revenue on SlimFit sizes. Will also accommodate off the shelf retail filters.
- Easy Installation with only 4 screws and included gasket.
- Fully insulated R-4.2 door
- Insulated cabinet to prevent sweating

**Table IAQ-2-C - SlimFit Filters**

Part Number	Part Description	Dimensions (in.)
BAYSF1165BAA	1" Filter and Frame (Side Return Furnace)	16 <sup>5</sup> / <sub>8</sub> x 20 <sup>3</sup> / <sub>8</sub> x 2
BAYSF1185BAA	1" Filter and Frame, 18 <sup>1</sup> / <sub>2</sub>	18 <sup>1</sup> / <sub>2</sub> x 21 x 2
BAYSF1235BAA	1" Filter and Frame, 23 <sup>1</sup> / <sub>2</sub>	23 <sup>1</sup> / <sub>2</sub> x 21 x 2
BAYSF1255BAA	1" Filter and Frame (Side Return Furnace)	16 <sup>5</sup> / <sub>8</sub> x 25 <sup>1</sup> / <sub>2</sub> x 2
FLRSF1165*	1" Media Filter (Side Return Furnace)	16 <sup>1</sup> / <sub>4</sub> x 20 <sup>1</sup> / <sub>4</sub> x <sup>3</sup> / <sub>4</sub>
FLRSF1185*	1" Media Filter	17 <sup>3</sup> / <sub>4</sub> x 19 <sup>3</sup> / <sub>4</sub> x <sup>3</sup> / <sub>4</sub>
FLRSF1235*	1" Media Filter	22 <sup>3</sup> / <sub>4</sub> x 19 <sup>3</sup> / <sub>4</sub> x <sup>3</sup> / <sub>4</sub>
FLRSF1255*	1" Media Filter (Side Return Furnace)	16 <sup>1</sup> / <sub>4</sub> x 25 <sup>1</sup> / <sub>4</sub> x <sup>3</sup> / <sub>4</sub>
FLRSF1265*	1" Media Filter	25 <sup>3</sup> / <sub>4</sub> x 19 <sup>3</sup> / <sub>4</sub> x <sup>3</sup> / <sub>4</sub>

\*Shipped in cartons of 12

## QuikBox™ Media Cabinet and Filters



- New Cost Improved Replacement for TFM Perfect Fit Media Filter
- 7 Perfect Fit Sizes to match Air Handler or Furnace Cabinet dimensions
- 5" Depth Metal Painted Cabinet with fully insulated R-4.2 Door
- MERV 11 and MERV 13 solutions available
- Space saving collapsible "shirt box" style filter design
- Air Tite Door Construction with Gasketing and Quarter Turn Easy Open Latch
- Cabinet Gasketing included for improved leakage at equipment connection
- QuikBox Replacement Filters are Backward Compatible to Fit Every TFM FilterBox
- Dealer custom labeling available

**Table IAQ-3-A– QuikBox™ Cabinet with Filter**

MERV 11	MERV 13	Nominal Cabinet Size (HxWxD)	Airflow Range CFM	Shipping Weight	Older Perfect Fit Model
EQBFM175A1FR11	EQBFM175A0FR13	5" x 17.5" x 27"	300-1500	20	TFM175B0FR0
EQBFM17DA1AH11	EQBFM17DA0AH13	5" x 17.5" x 21"	300-1600	20	TFM17DA0FR0
EQBFM210A1FR11	EQBFM210A0FR13	5" x 21.0" x 27"	300-2000	22	TFM210B0FR0
EQBFM215A1AH11	EQBFM215A0AH13	5" x 21.5" x 21"	300-1400	20	TFM215B0AH0
EQBFM235A1AH11	EQBFM235A0AH13	5" x 23.5" x 21"	300-1700	22	TFM235B0AH0
EQBFM245A1FR11	EQBFM245A0FR13	5" x 24.5" x 27"	400-2000	24	TFM245B0FR0
EQBFM185A1AH11	EQBFM185A0AH13	5" x 18.5" x 21"	400-1600	22	N/A

**Table IAQ-3-B– QuikBox™ Replacement Filters**

QuikBox Model	QuikBox MERV 11 Filter Part Number	QuikBox MERV 13 Filter Part Number	Dimensions (in.)	Perfect Fit Model	Old Filter Part Number
OBSOLETE	FLRQB5FR14M11	FLRQB5FR14M13	13.7 x 26 x 4.7	TFM145B0FR0	BAYFTFR14M2
EQBFM175A1FR	FLRQB5FR17M11	FLRQB5FR17M13	16.7 x 26 x 4.7	TFM175B0FR0	BAYFTFR17M2
EQBFM210A1FR	FLRQB5FR21M11	FLRQB5FR21M13	20.2 x 26 x 4.7	TFM210B0FR0	BAYFTFR21M2
EQBFM245A1FR	FLRQB5FR24M11	FLRQB5FR24M13	23.7 x 26 x 4.7	TFM245B0FR0	BAYFTFR24M2
EQBFM17DA1AH	FLRQB5DN17M11	FLRQB5DN17M13	16.7 x 20 x 4.7	TFM17DA0FR0	BAYFTDN17M2

**Table IAQ-3-C– QuikBox™ Replacement Filters**

QuikBox Model	QuikBox MERV 11 Filter Part Number	QuikBox MERV 13 Filter Part Number	Dimensions (in.)	Perfect Fit Model	Old Filter Part Number
EQBFM215A1AH	FLRQB5AH21M11	FLRQB5AH21M13	20.7 x 20 x 4.7*	TFM215B0AH0	BAYFTAH21M2
EQBFM235A1AH	FLRQB5AH23M11	FLRQB5AH23M13	22.7 x 20 x 4.7	TFM235B0AH0	BAYFTAH23M2
EQBFM260A1AH	FLRQB5AH26M11	FLRQB5AH26M13	25.2 x 20 x 4.7	TFM260B0AH0	BAYFTAH26M2
EQBFM185A1AH	FLRQB5AH18M11	FLRQB5AH18M13	17.75 x 20 x 4.7	N/A	N/A

\* Note:

Fits phased out TFM21DAFR0 Perfect Fit Cabinet

# Humidifiers Steam



Steam Humidifier

## Steam Humidifier w/ Manual Control

- Electrode Type Steam Canister means fast, easy, low cost maintenance.\*
- Six Different Capacities In One Unit to satisfy any application from 11.5 gallons per day to 34.6 gallons per day.
- Automatic Shut Down after 72 hours of inactivity; unit will drain to eliminate standing water.
- Easy Mounting Flexibility to your existing duct work or can be remotely mounted.
- Choose Precise Relative Humidity % Settings based on your needs and outdoor conditions. Works with Trane Home-enabled controls without the need for additional controls.
- Humidity “On Demand” uses your HVAC system blower to distribute humidified air throughout your home without a call for heating from your furnace or heat pump.
- 10-Year Registered Limited Warranty includes all functional Parts.\*
- All Inclusive Package means there is nothing else to purchase. Includes manual humidistat and blower relay. Trane Home-enabled control is optional.

\*Replace once a year

## Steam Humidifier Low Conductivity w/ Manual Control

- Trane® model 800LC Steam Humidifier is recommended for all 120V installations.
- Two Different Capacities at 11.5 gallons per day and 16 gallons per day.
- Comes with model 8043 LCRP Canister
- Faster start-up and 35% more electrode surface area than model 800 with 120v application

Table IAQ-4-A – Steam Humidifier Models

Part Number	Part Description	Dimensions - W"xD"xH"	Weight (lbs)
EHUMD800ASM00C	Steam Humidifier w/ Manual Control	10.125 x 7.125 x 20.875	23
EHUMD800BSMLCC	Steam Humidifier Low Conductivity w/ Manual Control	10.125 x 7.125 x 20.875	23

Table IAQ-4-B – Specifications: Humidifier with Humidistat

Conductivity	Grains/Gal	Hardness	Recommended Model installed at 208/240v
75-100	0-3	Naturally Soft	Model 800LC
100-300	3-9	Naturally Soft	Model 800LC
300-500	9-15	Slightly Hard	Model 800
500-650	15-20	Moderately Hard	Model 800
650-850	20-25	Hard	Model 800
850-1250	25-36	Very Hard	Model 800
above 1250	above 36	Extremely Hard	Installation Not Recommended

Table IAQ-4-C – Accessories

Model Number	Description
8043RP	Canister, Rplc, 6-Pk, Serv First
8043LCRP	Replacement Steam Canister-Low Conductivity Model
5625RP	Humidistat, Manual, Serv First
5628RP	Drain Trap Assy, Serv First
5629RP	Air Flow Switch, Serv First
5630RP	High Humidity Switch, Serv First
5632RP	Condensate Pump Kit, Serv First
56TR	Convertible Automatic Humidifier Control, Trane Brand

1. What model is recommended for 120VAC installations?
  - a. The Model 800LC and 80LC canister are recommended regardless of water conditions.

\* Registered Limited Warranty terms are available when you register within 60 days of installation. You can register online at Trane.com or by phone at 855-260-2975, otherwise Trane's Base Limited Warranty terms will apply. Base Limited Warranty information on specific products can be found on Comfortsite.com. Product Registration and Registration Transfer exclusions vary in the US from state to state and in Canada from province to province. To determine if there are specific exclusions for your state or province check your local laws.

# Humidifiers

## Fan Powered and Bypass



Fan Powered Humidifier



Bypass Humidifier

### Fan Powered Humidifier

- Flow Through Fan Powered Humidifier
- High Performance Humidifier Delivers up to 18 Gallons per Day
- Automatic Humidifier Control with O.D. Sensor for up to 50% more Humidity
- Front Cover Access for easy replacement of humidifier pad
- Aluminum Humidifier Pad Treated with Ceramic Coating for Enhanced Pad Performance
- Reliable Brass Solenoid Valve w/ Stainless Steel Valve Seat
- UV Resistant Cabinet and Scale Control Insert
- Saddle Valve
- Polyslate Gray Housing matches Furnace Cabinet Color
- 120V Power Line Cord
- 110V Primary/24VA Transformer

### Bypass Humidifier

- EHUMD300A Bypass delivers up to 17 Gallons per day
- EHUMD200A delivers up to 12 Gallons per day
- EHUMD300A Automatic Humidifier Control and O.D. Sensor for up to 50% more Humidity
- EHUMD200A Manual Humidifier Control
- UV Resistant Cabinet and Scale Control Insert
- Front Cover Access for easy replacement of humidifier pad
- Aluminum Humidifier Pad Treated with Ceramic Coating for Enhanced Pad Performance
- Reliable Brass Solenoid Valve w/Stainless Steel Valve Seat
- Field Convertible Duct Connection, Left or Right Side
- Built in Summer / Winter Damper
- Saddle Valve
- Polyslate Gray Housing matches Furnace Cabinet Color
- 110V Primary / 24V Secondary 10VA Transformer

**Table IAQ-5-A – Specifications: Humidifier with Humidistat**

Model Number	Description	Used With	Shipping Weight
EHUMD500APA00D <sup>①④</sup>	Fan Powered Humidifier	All Furnace Models	20
EHUMD300ABA00C <sup>②</sup>	Large Bypass Humidifier	All Furnace Models	15
EHUMD200ABM00C <sup>③</sup>	Small Bypass Humidifier	All Furnace Models	14

- ① Includes Automatic Humidifier Control (Duct Mount Only).  
 ② Includes Automatic Humidifier Control (Duct Mount Only) and 120/24V transformer.  
 ③ Includes Manual Humidifier Control and 120/24V transformer.  
 ④ Not applicable for horizontal installations.

**Table IAQ-5-B – Accessories**

Model Number	Description	Used With
BAYPAD02A1310A	Large Humidifier Pad 13"x10"	EHUMD500,300A
BAYPAD01A1010A	Small Humidifier Pad 9-7/8"x9-5/8"	EHUMD200A
ECONTH01AAUTOA	Automatic Humidifier Control	EHUMD200A
BAYRLY10ASENSA	Current Sensing Relay	All
BAYPLT01AMHCOA	Adapter Plate (Duct Mount)	Manual Humidifier Control
BAYKIT01ASMBPA	Small bypass humidifier maintenance kit	EHUMD200A
BAYKIT01ALGBPA	Large bypass humidifier maintenance kit	EHUMD300A
BAYKIT01ALGFPA	Large fan powered humidifier maintenance kit	EHUMD500



It's Hard To Stop A Trane.®

# Whole Home Dehumidifiers with Optional Ventilation



- Full line of horizontal dehumidifiers from 70 ppd to 120 ppd of moisture removal
- Exclusive XT coil technology means higher efficiency humidity removal rates than standard units
- All units come with optional ventilation capability to meet ASHRAE 62.2 Ventilation requirements
- Units can be ducted to and wired to operate with HVAC system or can used independently of HVAC system with internal blower and wired control
- Units come standard with MERV 13 filter for superior indoor air quality
- 5 Year Unit Replacement Warranty for Refrigeration Circuit Failures (Registered Warranty)\*
- Engineered for low temperature operation providing comfort year round
- Optional digital controller for outdoor air ventilation and humidity control
- Designed for quiet operation

**Table IAQ-6-A — Specifications: Trane® R-454B Whole Home Dehumidifiers with Optional Ventilation**

Model Number	Description	Dimensions- W" x H" x L"	Weight (lbs.)
5DHUM70HAH1MNA	R-454B Dehumidifier, Whole Home, 70 Pints Per Day	12 x 12 x 21	64
5DHUM098AH1MNA	R-454B Dehumidifier, Whole Home, 98 Pints Per Day	14.4 x 21 x 32.2	95
5DHUM120AH1MNA	R-454B Dehumidifier, Whole Home, 120 Pints Per Day	14.5 x 19.5 x 32.4	101

**Table IAQ-6-B — Specifications: Trane® Whole Home Dehumidifiers with Optional Ventilation**

Model Number	Description	Dimensions- W" x H" x L"	Weight (lbs.)
EDHUM70HAH1MNBA	Whole home 70 pint ventilating dehumidifier, 1,800 sq. ft. capacity	12 x 12 x 28	55
EDHUM098AH1MNBA	Whole home 98 pint ventilating dehumidifier, 2,300 sq. ft. capacity	14.5 x 19.5 x 32.375	81
EDHUM120AH1MNAA	Whole home 120 pint ventilating dehumidifier, 3,000 sq. ft. capacity	14.4 x 21.0 x 32.2	91

**Table IAQ-6-C — Accessories**

Model Number	Description	Dimensions- W" x H" x L"	Weight (lbs.)
4037724	Filter (qty 12), 9" x 11.38" x 0.75" MERV 13 (70)*	14 x 10 x 8	1 lb.
4037722	Filter (qty 12) 14" x 17.5" x 1.75" MERV 13 (98, 120)*	20 x 20 x 7	3 lb.
4036695	Hang kit (70, 98, 120)*	24 x 7 x 7	7 lb.
4023647	8" Gravity Damper (70)*	13 x 13 x 13	5 lb.
4024375	10" gravity damper (98, 120)	13 x 13 x 13	5 lb.
4028407	Kit,UA DEH3000 Remote	9 x 6 x 4	1 lb.
4022220	Condensate pump kit (70/98/120)*	10 x 6.5 x 14	6.21 lb.

\*Available through Parts & Supply

\* Registered Limited Warranty terms are available when you register within 60 days of installation. You can register online at Trane.com or by phone at 855-260-2975, otherwise Trane's Base Limited Warranty terms will apply. Base Limited Warranty information on specific products can be found on Comfortsite.com. Product Registration and Registration Transfer exclusions vary in the US from state to state and in Canada from province to province. To determine if there are specific exclusions for your state or province check your local laws.

For complete equipment / combination selections, installation instructions and warranty information, please refer to Product Data/Ratings and/or Installers Guides and Limited Warranty Handbooks.



It's Hard To Stop A Trane.®

## Inline Ventilator



- Full ECM motor, adjustable airflow from 30 to 130 cfm
- Programmable to prevent temperature and humidity extremes
- Includes MERV 8 filter for improved indoor air quality
- Quiet fan (.4 – 1.6 Sones) is virtually undetectable when operating
- “On - Off” switch on unit or controlled by 24V remote wired smart thermostat with ventilation software
- Compact design fits between framing members and comes with hanger brackets

**Table IAQ-7-A – Specifications: Trane® QF130V Inline Ventilator**

Part Number	Description	Dimensions - W"xD"xH"	Weight (lbs)
EVENQF130V1NAAA	Inline Ventilator Fan with Relay	15.75 x 12.75 x 23	18

**Table IAQ-7-B – Accessories**

Model Number	Description	Dimensions - W"xD"xH"	Weight (lbs)
E1650024	Heater Model EQH400	14.5 x 14 x 10.25	8.25
E1650025	Heater Model EQH900	14.5 x 14 x 10.25	8.25
E1650026	6" Motorized Damper	6.3 x 9.45 x 10.63	4.5
E1955001	6" Screened Wall Cap	9 x 9 x 17	3
E1650123	2 Pack 10x10x2 Filter	10 x 10 x 4	0.95

# Premium Energy Recovery Ventilator (ERV)



- Efficient heat and humidity transfer recaptures up to 70-80% of the energy exhausted from the airstream
- Dial-A-Flow adjustment for simple air flow balancing
- 2 high-efficiency variable speed EC motors, meet California energy codes
- High-efficiency core operates dry in all conditions, no condensate pans needed
- Air streams don't mix and pollutants are not transferred across partition plates
- Energy-efficient operation decreases HVAC load, cutting down on energy use and costs
- HVI certified
- Multi position mounting
- Compact design and reduced weight for easier installation vs alternatives
- MERV 8 standard, MERV 13 filter options available
- 5 year Parts Warranty, No registration required
- Registered Limited Warranty 10-years\*

**Table IAQ-8-A – Specifications: ERV**

Model Number	Nominal Airflow (CFM)	Power Supply	Uncrated Dimensions (In.) H x W x D	Shipping Weight	Sensible Recovery Effectiveness	Latent Recovery	Total Recovery
EERVE125A1P00AA	13-130 (51)	120V/1 ph plug-in	22.25 x 22.5 x 9.625	38	74	60	60
EERVE225A1P00AA	30-225 (51)	120V/1 ph plug -in	22.25 x 22.5 x 13.375	48	81	69	77
EERVE280A1P00AA	30-280 (59)	120V/1 ph plug-in	22.25 x 22.5 x 24.25	66	88	76	76

**Table IAQ-8-B – Optional Accessories**

Model Number	Description	Used With	Shipping Weight
ECONTV10APBC0A	Point of Use Push Button Lighted Control	125, 225, 280	1
ECONTV10APBT0A	Point of Use Push Button Boost Mode Control	125, 225, 280	1
ECONTV10APTL0A	Point of Use Percentage Timer	125, 225, 280	1
FLR09722	Replacement MERV 8 Filter	125, 225, 280	1
FLR09723	Replacement MERV 13 Filter 3 Pack, EVPS	125	1
FLR09724	Replacement MERV 13 Filter 3 Pack, EVPM	225	1
FLR09725	Replacement MERV 13 Filter 3 Pack, EVPL	280	1

\* Registered Limited Warranty terms are available when you register within 60 days of installation. You can register online at Trane.com or by phone at 855-260-2975, otherwise Trane's Base Limited Warranty terms will apply. Base Limited Warranty information on specific products can be found on Comfortsite.com. Product Registration and Registration Transfer exclusions vary in the US from state to state and in Canada from province to province. To determine if there are specific exclusions for your state or province check your local laws.



# Awair Element™ Indoor Air Quality Monitor



**Awair Element  
AQM8002B**

- **Awair Element** is a smart, all-in-one air quality sensor that homeowners can use to monitor the air in their home. It monitors the following parameters:
  - Carbon Dioxide (CO2)
  - Volatile Organic Compounds (VOC)
  - Fine Particulate Matter (PM2.5)
  - Temperature
  - Humidity
- **Awair Score** is a value from 0 (poor) to 100 (excellent) to give you an indication of the overall quality of the air in your home.
- **Individual Parameter Readings** are available for each of the 5 monitored parameters, providing a value and a color-coding ranging from red (poor) to green (excellent) for a quick assessment of each parameter.
- **Trane Home** interfaces with the Awair device so you can view each parameter as well as the overall Awair score – right on the Trane Home app.
- **Poor Air Quality Mitigation** – When used with a Trane Smart Thermostat and the Trane Home app, if the Awair score or any of the monitored parameters fall out of the green (excellent) range, an automated action to run the HVAC systems fan will take place to cycle the homes air through the HVAC systems filter to remove particulate matter and reduce volatile organic compounds present in the air.



It's Hard To Stop A Trane.®

COMING SOON



Trane Priority Smart Thermostat



# Conventional 24 Volt Smart Thermostat

## TCONT24P1S52DA

- WiFi connectivity
- Control from a smartphone, tablet, or computer ①②
- Trane Diagnostics ①
- 7-Day programmable with up to 6 schedules per day
- Weather
- Indoor relative humidity display
- Enhanced Dehumidification (BK)
- 1 Auxiliary dry contacts control 1 of the following: Whole house humidifier, dehumidifier, or ventilation system
- Test modes and alert diagnostics
- Screen access restrictions
- Over-the-air software upgrades ①
- Color: Black
- Warranty: 3yr base/5yr

### Application:

- Conventional gas/electric, heat pump, and dual fuel systems
- Conventional boiler systems (forced air and radiant)
- Conventional HVAC systems: 2 Heat / 2 Cool
- Heat Pump systems: Up to 5 stages heat / 2 stages cool (2 compressor heat - 3 auxiliary heat - 2 cooling)
- Heat Pump switchover valve: selectable "with cool or with heat"
- Remote wireless indoor temperature and humidity sensor BAYSENSEAW00UAA (optional)

### Dimensions:

- Product: 5.74"w x 3.43"h x 0.812"d
- Display: 4.3" Diagonal



XL 824  
TCONT824AS52DC

## TCONT824AS52DC

- Z-Wave Plus Bridge Inside
- Trane Diagnostics ①
- WiFi or Ethernet connection
- Control from a smartphone, tablet, or computer ①②
- 4.3" Color touchscreen
- 7 Day programmable with up to four schedules per day
- Five day weather forecast, weather radar, and weather alerts ①
- Indoor relative humidity display
- Enhanced dehumidification (cooling)
- 2 Auxiliary dry contacts control 2 of the following: Whole house humidifier, dehumidifier, or ventilation system
- Integrated Dehumidification Solution (IDS) capable
- Boiler Support
- Test modes and alert diagnostics
- Screen access restrictions
- Over-the-air software upgrade ①
- Local software upgrade option
- Color: Designer Silver
- Retail Package Sleeve
- Limited Warranty: 5 yr. base/10 yr.

### Application:

- Conventional gas/electric, heat pump, and dual fuel systems
- Conventional boiler systems (forced air only)
- Conventional HVAC systems: 2 Heat / 2 cool
- Heat Pump systems: Up to 5 stages heat / 2 stages cool (2 compressor heat - 3 auxiliary heat / 2 cooling)
- Heat Pump switchover valve: selectable "with cool or with heat"
- Remote wired indoor temperature sensor (optional) ZZSENSAL0400AA
- Remote wireless indoor temperature and humidity sensor (optional): ZSENS930AW00MA
- Remote wired outdoor temperature sensor (optional) BAYSEN01ATEMPA
- PWM Circuit (BK terminal): controls indoor unit variable speed blower
- Wall cover plate BAYCOVR800A

### Dimensions:

- Product: 5.43"w x 3.39"h x 1.30"d
- Display: 4.15"w x 2.65"h

① Requires internet service and Trane® Home smart home system registration.  
 ② Trane® Home remote climate access is included with the purchase for up to 8 Connected Controls per home. Adding accessories or additional controls to your Trane® Home system may require a monthly subscription.

For Energy Star Information, please refer to: <https://www.ahridirectory.org/>

For complete equipment / combination selections, installation instructions and warranty information, please refer to Product Data/Ratings and/or Installers Guides and Limited Warranty Handbooks.



It's Hard To Stop A Trane.®



XR 724  
TCONT724AS42DA

## Conventional 24 Volt Smart Thermostat

### TCONT724AS42DA

- Mobile app compatible (download Trane Home) ①②
- Trane Diagnostics ①
- Control from a smartphone, tablet, or computer ①②
- 4.3" diagonal black and white touchscreen
- 7 Day programmable with up to 4 schedules per day
- Humidity sensor and RH display
- Remote temperature sensor connections (1 indoor/1 outdoor)
- Auxiliary & compressor heat lockouts
- Auxiliary dry contact
- Enhanced dehumidification (cooling)
- PWM Circuit (BK terminal): control indoor unit variable speed blowers
- Boiler Support
- Energy Savings Mode (ESM)
- Screen lock and guest lock
- Service test modes
- Upgradable software
- Color: Designer Silver
- Retail Package Sleeve
- Limited Warranty: 1 yr. base/5 yr.

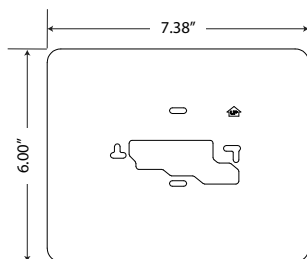
### Application:

- Up to 4 Stages Heat/2 Stages Cool
- Conventional gas/electric, heat pump, and dual fuel systems
- Conventional boiler systems (baseboard & radiators)
- Remote wired indoor temperature sensor (optional): ZZSENSAL0400AA
- Remote wired outdoor temperature sensor (optional): BAYSEN01ATEMPA
- Wall cover plate BAYCOVR800A
- Z-Wave Bridge is required for control of Z-Wave devices, such as lighting, door locks, etc., and remote climate access. The Z-Wave Bridge is purchased separately. ①②

### Dimensions:

- Product: 5.9"w x 3.47"h x .95"d
- Display: 3.8"w x 2.3"h

## Wall Cover Plate



BAYCOVR800A

### BAYCOVR800A

#### Application:

- Use with  
TCONT624AS42DA,  
TCONT724AS42DA,  
TCONT824AS52DA,  
TCONT850AC52UA

#### Dimensions:

- 7.38" w x 6.00" h
- Finish: Silver

- ① Requires internet service and Trane® Home smart home system registration.
- ② Trane® Home remote climate access is included with the purchase for up to 8 Connected Controls per home. Adding accessories or additional controls to your Trane® Home system may require a monthly subscription. Remote access is via most web-enabled smartphones, tablets and computers.

# Trane® Link Communicating System Controller and Smart Thermostat



**SC360**  
System controller



**UX360**  
Smart thermostat

## TLINK360A2VVUD

(kit includes System Controller and Smart Thermostat)

- Mobile app compatible
- Trane Diagnostics ①
- Trane Technician mobile app compatibility allows for easy technician commissioning and servicing
- WiFi connection
- Control from a smartphone, tablet, or computer ①②
- Customizable Home Screen
- 7" diagonal color touchscreen
- 1-Touch Presets - Home, Away, Sleep
- 7 Day programmable with up to four schedules per day
- Customizable Home Screen
- Smart Continuous Fan
- Runtime History
- Adjustable Continuous Airflow (35-100%)
- Five day weather forecast ①
- Indoor relative humidity display
- Dealer Contact Widget
- Test modes and alert diagnostics
- Over-the-air Software Upgrade ①
- Color: Designer White
- Limited Warranty: 5 yr. base/10 yr.

## Application:

- TruComfort™ Variable Speed
- Trane Link Zoning Systems
- Remote wired temperature sensor available through the hub
- Remote wireless indoor temperature and humidity sensor (optional): ZSENS930AW00MA
- Relay Panel (BAC24VRPA252UA) is required when applied with variable speed Air Handlers or Furnaces.
- Relay Panel Supports:
  - Up to 3 stages of heating.
  - Connections for Remote indoor temperature sensors.
  - 2 Dry Auxiliary Contacts to control whole house humidifier, dehumidifier or ventilation system.

① Requires internet service and Trane® Home smart home system registration.  
 ② Trane® Home remote climate access is included with the purchase for up to 8 Connected Controls per home. Adding accessories or additional controls to your Trane® Home system may require a monthly subscription. Remote access is via most web-enabled smartphones, tablets and computers.



It's Hard To Stop A Trane.®

# ComfortLink™ II Communicating Smart Thermostat



XL 1050  
TZON1050AC52ZC

## TZON1050AC52ZC

- Z-Wave Plus Bridge Inside
- Trane Diagnostics ①
- WiFi or Ethernet connection
- Control from a smartphone, tablet, or computer ①②
- 7" diagonal color touchscreen
- 1-Touch Presets - Home, Away, Sleep
- 7 Day programmable with up to four schedules per day
- Customizable Home Screen
- Runtime History
- Allergy and Quick Clean Air Cycles
- Smart Continuous Fan
- Adjustable Continuous Airflow (35-100%)
- Screen access restrictions
- Dealer Contact Widget
- Service, Filter, Humidifier, UV Light, Air Cleaner Reminders
- Five day weather forecast, weather radar, and weather alerts ①
- Integrated Dehumidification Solution (IDS) capable
- Indoor relative humidity display
- Boiler Support
- Test modes and alert diagnostics
- Over-the-air Software Upgrade ①
- Local Software Upgrade option
- Color: Designer Silver
- Retail Package Sleeve
- Limited Warranty: 5 yr. base/10 yr.

## Application:

- TruComfort™ Variable Speed
- ComfortLink™ II Two Stage Systems
- ComfortLink™ II Zoning Systems
- TruComfort™ Variable speed outdoor cooling or heat pump unit combined with S-Series non-communicating variable speed furnace and "C" model Relay Panel
- Relay panel (BAY24VRP52DC) is required when applied with conventional systems (Gas Electric, Heat Pump, Dual Fuel, Boilers - forced air only)
- Relay Panel Supports:
  - Up to 5 stages heat, 2 stages cool
  - Connections for Remote indoor and outdoor temperature sensors
  - 3 Dry Auxiliary Contacts to control whole house humidifier, dehumidifier, or ventilation system
- Remote wired indoor temperature sensor (optional) ZZSENSAL0400AA
- Remote wireless indoor temperature and humidity sensor (optional): ZSENS930AW00MA
- Remote wired outdoor temperature sensor (optional) BAYSEN01ATEMPA

## Dimensions:

- Product: 7.2"w x 4.5"h x 1.2"d
- Display: 6.1"w x 3.3"h

① Requires internet service and Trane® Home smart home system registration.

② Trane® Home remote climate access is included with the purchase for up to 8 Connected Controls per home. Adding accessories or additional controls to your Trane® Home system may require a monthly subscription. Remote access is via most web-enabled smartphones, tablets and computers.



It's Hard To Stop A Trane.®



XL 1040  
TZON1040AC52ZA

## ComfortLink™ II Zone Thermostat Communicating Sensor with Display

### TZON1040AC52ZA

- For use with ComfortLink™ II Zoning Systems
- 3-Wire Communicating Zone Sensor
- 4.3" diagonal color touchscreen
- Zone Mode - Auto only
- Fan Mode - Auto/On
- Displays Zone Temperature & Relative Humidity.
- Average multiple zone temp sensors
- Displays Outdoor Temperature (Trane Home registration or wired ODT required)
- Clean Screen Function
- 3 Levels of Restricted Access
- Fahrenheit or Celsius
- Adjust zone Setpoint at 1040, 1050, and Trane Home Smart Home
- Schedule 1040, 1050, and Trane Home Smart Home
- Zone Schedule Override
- Permanent Hold
- Enter zone name at 1040 and 1050
- Over the Air upgrades via the 1050
- Screen color with backlit options
- Screensaver options

### Dimensions:

- Product: 5.43"w x 3.39"h x 1.30"d
- Display: 4.15"w x 2.65"h

### Storage Temperature:

- -40°F to 170°F, 0% - 95% RH

### Operating Temperature:

- 32°F - 120°F, 5% - 90% RH non-condensing



# Trane® Link Zone Thermostat Communicating Sensor with Display



TZON2HU1A252ZA

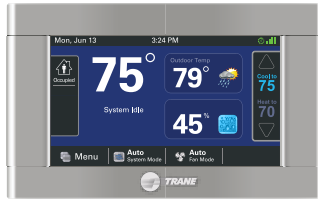
## TZON2HU1A252ZA

- For use with Trane Link Zoning Systems
- 4-Wire Communicating Zone Thermostat
- 7" diagonal color touchscreen
- Zone Mode – Heat/Cool/Auto/Off
- Fan Mode – Auto/On/Circulate
- Displays Zone Temperature & Relative Humidity
- Temperatures displayed in Fahrenheit or Celsius
- Average multiple zone temp sensors
- Displays Outdoor Temperature (Trane Home registration or wired ODT required)
- Adjust Zone setpoints
- Can view and adjust all Zones – when enabled
- Can restrict access to only the assigned zone
- Switch between Schedules and Permanent Hold
- One Touch presets for Home/Away/Sleep settings
- Change Zone Name
- Adjust display characteristics and screensaver options
- Over the Air upgrades via the Link360 controller

## Dimensions:

- Product: 7.0"w x 4.3"h x 1.1"d
- Display: 6.1"w x 3.3"h

# Trane<sup>®</sup> Pivot<sup>™</sup> Commercial Thermostat



**Trane<sup>®</sup> Pivot<sup>™</sup>  
TCONT830AS52DA  
(Commercial Applications Only)**

The Pivot thermostat, for use in commercial applications only, is a color touch-screen, programmable control that is equipped with remote access. The Pivot thermostat is specifically designed for single zone constant volume commercial buildings. It has a very simple interface for occupants to adjust their thermostat. Cooling and heating control is made easier when connected to the Pivot Mobile App. Connecting to the Pivot Mobile App provides the capability to take full advantage of all benefits of the Pivot thermostat.

## TCONT830AS52DA

- Service Support with diagnostics ⓘ
- Designed for commercial business
- Customized display widgets
- 3 levels of access restrictions
- Manage user by enable/disable per mobile device
- 7 day programmable up to 6 events per day (3 occupied/3 unoccupied)
- Single button override for after hour use
- Configurable timed override logic
- Grouping for mass overrides
- Trane Pivot connected to the mobile app and diagnostics
- Efficient remote management
- Schedule can be sent to multiple Pivot thermostats
- Grouping for mass overrides
- Touchscreen Display: 4.15" x 2.65" (4.3" diagonal)
- Limited Warranty: 5-Year Material

## Application:

- Conventional HVAC system compatibility with up to 3 heat/2 cool dual fuel (gas/electric)
- Heat pump systems:
- Up to 5 stages heat/2 stages cool (2 compressor plus 3 auxiliary)
- Heat pump switchover valve
- Selectable with cool or heat
- Wired remote indoor sensor (ZZSENSAL0400AA)
- Wired remote outdoor sensor (BAYSEN01ATEMPA)
- Two auxiliary outputs (dry contacts) for dehumidification, humidification, or ventilation
- System Modes: Auto, Heating, Cooling, Off
- Fan Modes: Auto, On
- Auxiliary Heat Lockout: 32°F to 70°F
- Compressor Heat Lockout: 55°F to 70°F
- Cooling Setpoint Range: 60°F to 99°F (1°F resolution)
- Heating Setpoint Range: 55°F to 99°F (1°F resolution)
- Indoor Temperature Display Range: 140°F to 122°F
- Outdoor Temperature Display Range: -40°F to 140°F
- Indoor Humidity Range: 0% to 100% (1% resolution)
- Minimum Cycle Off Time Display: Compressor; 5 minutes, Indoor Heat; 1 minutes
- Storage/Operating Temperature: -0°F to 175°F, 5% to 95% RH non-condensing
- 24 Volts AC

## Dimensions:

- Product: 5.43"w x 3.39"h x 1.30"d
- Display: 4.15"w x 2.65"h

ⓘ Requires internet service and connection to the Trane Pivot mobile app.

## Trane® Link Zone Panel



**ZZON2PNLA200ZA**

### ZZON2PNLA200ZA

Trane Link Variable Speed HVAC System Required

- Three Zone Link Communicating Zone Panel
- 6-foot CAN Bus Wire Harness
- Two Spare CAN Bus Connectors
- Controls 24 volt powered 60 second modulating dampers
- Supports up to four 1.5VA dampers wired in parallel to each zone
- Auto detects installed dampers
- Provides short circuit detection and protection for each zone
- Automatically sets maximum CFM per zone
- Supports 2-wire zones sensor (ZZSENSAL0400AA) for each zone

## Trane® 8X CAN Bus Distribution Board



**BDIS2LRGA200UA**

### BDIS2LRGA200UA

Trane Link Variable Speed HVAC System Required

- Eight port CAN Bus Distribution Board
- 6-foot CAN Bus Wire Harness
- Ten Spare CAN Bus Connectors
- Terminals for connecting optional external 24VAC auxiliary power supply when required
- Provided Isolation between the external 24VAC auxiliary power supply when used and the Indoor Units control power transformer

## Trane® Link Zoning Kit



**ZZON2KITA200ZA**

### ZZON2KITA200ZA

Trane Link Variable Speed HVAC System Required

- Qty 1 of the Three Zone Link Communicating Zone Panel (ZZON2PNLA200ZA)
- Qty 1 of the Eight port CAN Bus Distribution Board (BDIS2LRGA200AU)

## Conventional 24 Volt HVAC System Interface Relay Panel for Trane Link Controls



**BAC24VRPA252UC**

### **BAC24VRPA252UC – With AUX Contact Control**

- Optional remote indoor temperature connection point
- LED stage indicators
- Removable low voltage terminal blocks for easy service and replacement
- AUX Contacts
  - Whole-house Dehumidifier Control
  - Ventilation Control
  - Humidifier Control
- Relay Panel provides support for the following equipment combination:
  - S-Series Non-communicating Variable Speed Furnace
  - L8V1 Ultra-Low NOx Furnace
  - P0V0 Modular Air Handlers
  - TEM Series Non-communicating Variable Speed Air Handlers
  - TLINK360A2VVUF Link Controls

#### **Dimensions:**

- 8.0" width x 9.3" height x 1.9" depth

#### **Storage Temperature:**

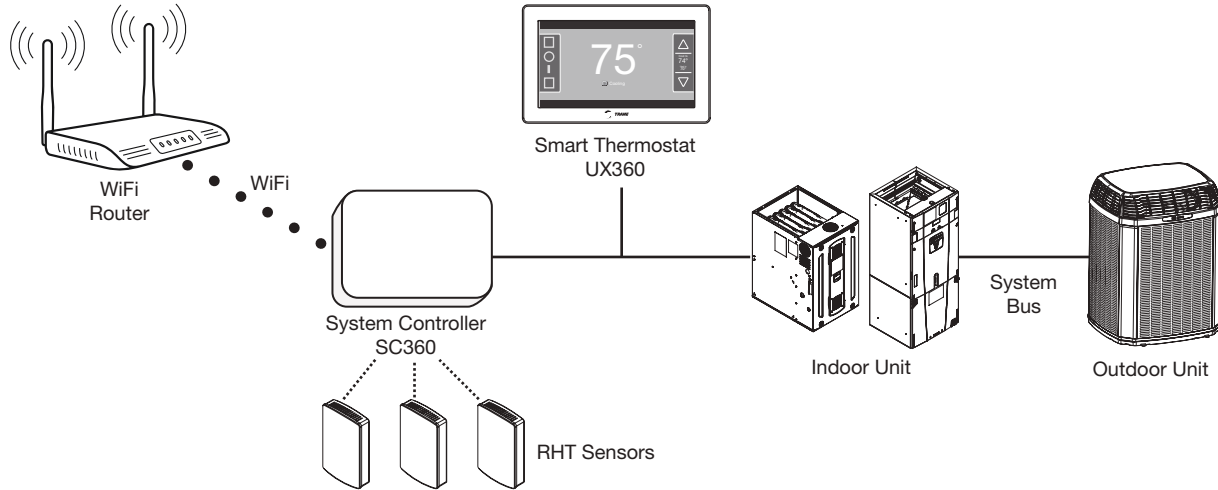
- -40° to 175°F, 5% - 95% RH non-condensing

#### **Operating Temperature:**

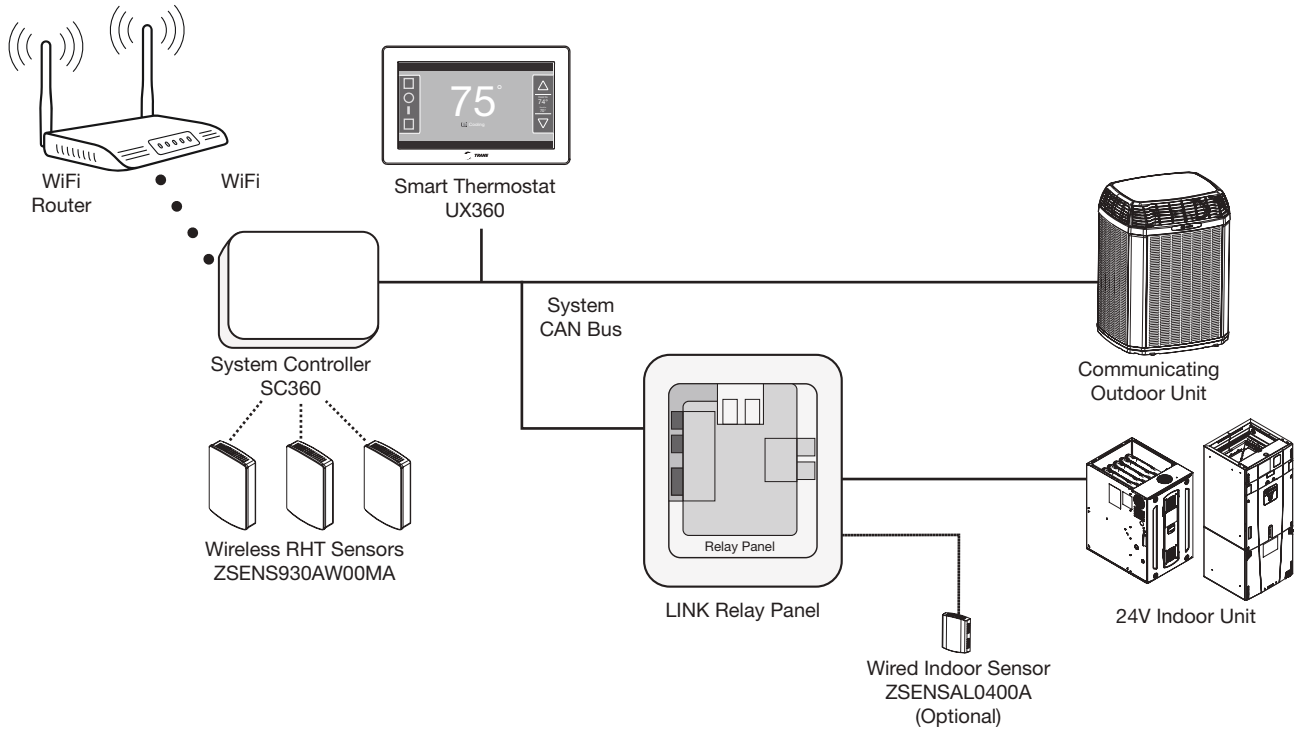
- -40° to 150°F, 5% - 95% RH non-condensing

# Trane® Link System Component Overview

## Trane® LINK System

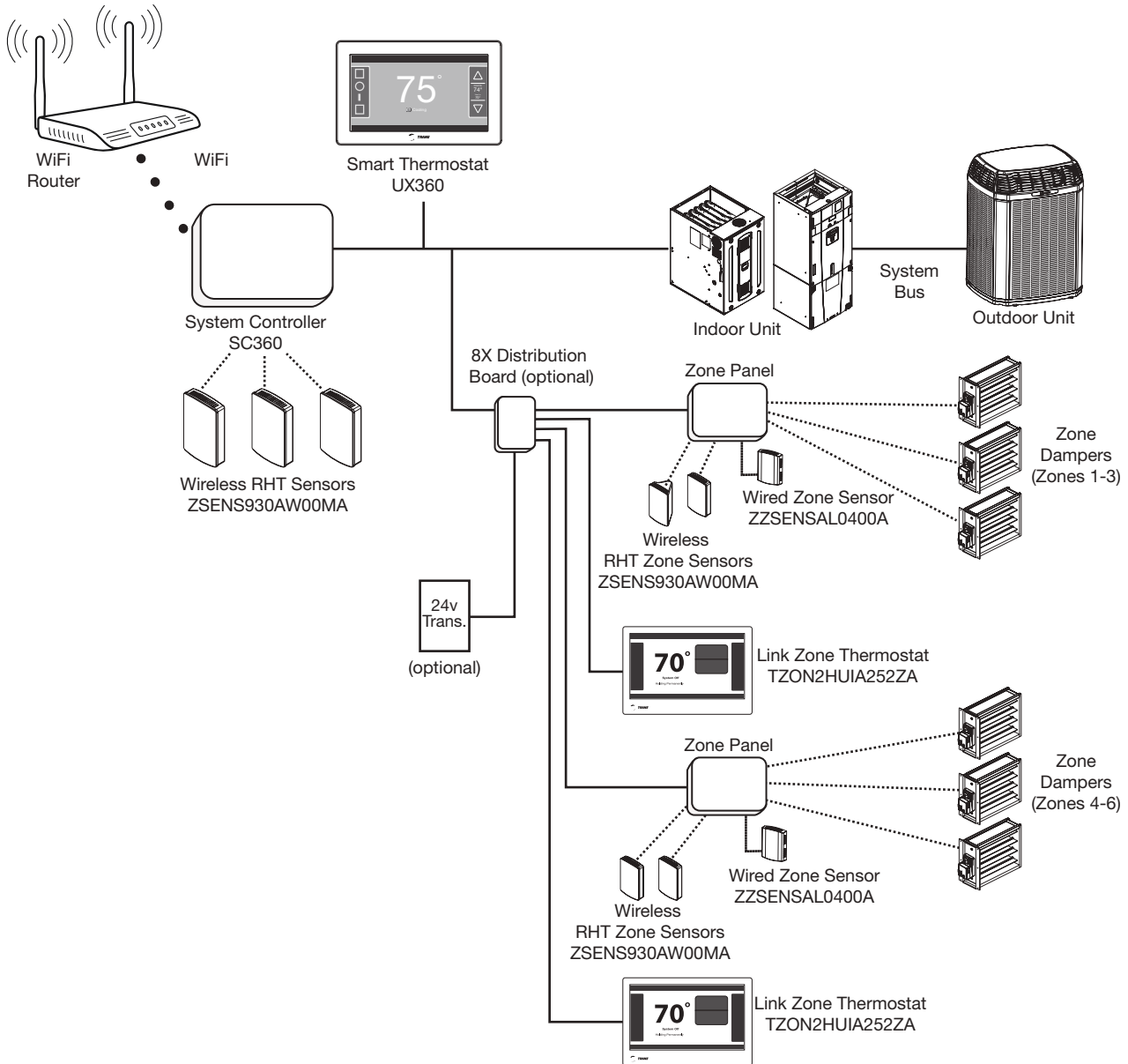


## Trane® LINK with 24V Relay Panel



# Trane® Link System Component Overview

## Trane® LINK Zoning System



## Conventional 24 Volt HVAC System Interface Relay Panel for ComfortLink™ Controls



**BAY24VRPAC52DC**

### **BAY24VRPAC52DC — With AUX Contact Control**

- 5 Heat (Gas, Oil, Electric)/2 Cool/Heat Pump/Dual Fuel
- Optional remote indoor temperature connection point
- Optional remote outdoor temperature connection point
- LED stage indicators
- Removable low voltage terminal blocks for easy service and replacement
- **AUX Contacts**
  - Whole-house Dehumidifier Control
  - Ventilation Control
  - Humidifier Control
- Relay Panel provides support for the following equipment combination:
  - Variable Speed heat pump and cooling units
  - S-Series Non-communicating Variable Speed Furnace
  - TCONT850AC52UA or TZON1050AC52ZA

#### **Dimensions:**

- 8.0" width x 9.3" height x 1.9" depth

#### **Storage Temperature:**

- -40° to 175°F, 5% - 95% RH non-condensing

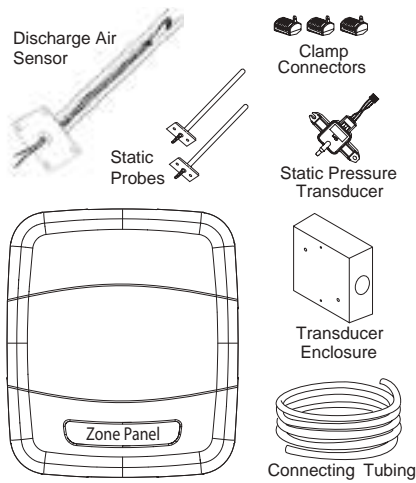
#### **Operating Temperature:**

- -40° to 150°F, 5% - 95% RH non-condensing



It's Hard To Stop A Trane.®

## ComfortLink™ II Zoning Assembly



**ZZONEPNLAC52ZB**

### ZZONEPNLAC52ZB

Trane Variable Speed Indoor Unit (Air Handler/Gas Furnace) required.

#### Includes:

- Four Zone Communicating Zone Panel with discharge air sensor, static pressure transducer and housing, supply, return air static probes and connecting tubing, & three wiring blocks
- Automatically sets maximum CFM per zone
- Compatible with 24 volt systems with the addition of 24 volt relay panel
- Controls 24 volt power open, power close modulating dampers

- Auto detects installed dampers
- Supports 2-wire (ZZSENSAL0400AA) and 3-wire (TZONE940) zone sensors.
- Adjustable damper motor travel times of 15 to 60 seconds
- Requires field supplied 24 volt power supply
- Up to four 1.5 VA dampers can be wired in parallel to each zone
- Backlit LCD display for easy setup and service
- Removable low voltage terminal blocks for easy service and replacement

## ComfortLink™ II Zone Expander Panel (Required with more than 4 zones)



**ZZONEEXPAC52ZA**

### ZZONEEXPAC52ZA\*

- Expands the maximum number of zones per system to eight
- Controls 24 volt power open, power close modulating dampers
- Auto detects installed dampers
- Supports 2-wire (ZZSENSAL0400AA) and 3-wire (TZONE940) zone sensors.
- Adjustable damper motor travel times of 15 to 60 seconds
- Requires field supplied 24 volt power supply

#### Dimensions:

- 8.0" width x 9.3" height x 1.9" depth

#### Storage Temperature:

- -40° to 175°F, 5% to 95% RH non-condensing

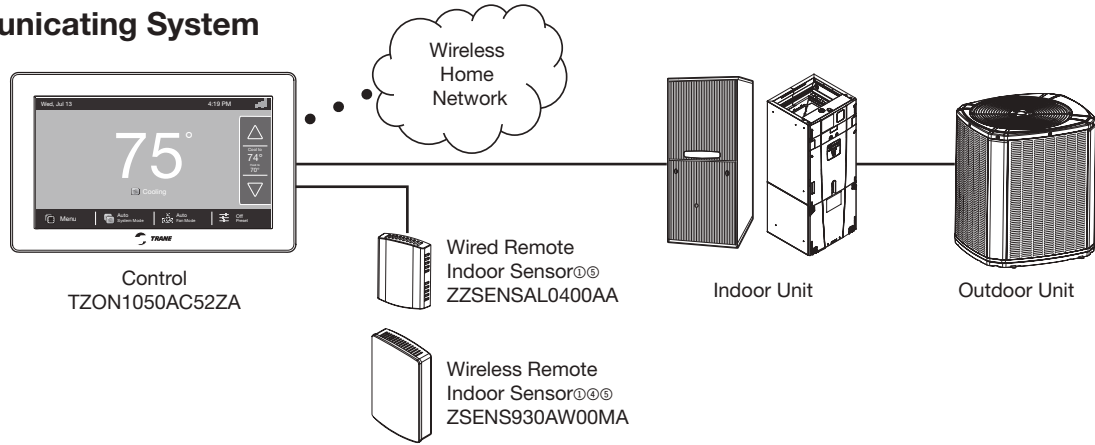
#### Operating Temperature:

- -40° to 150°F, 5% to 95% RH non-condensing

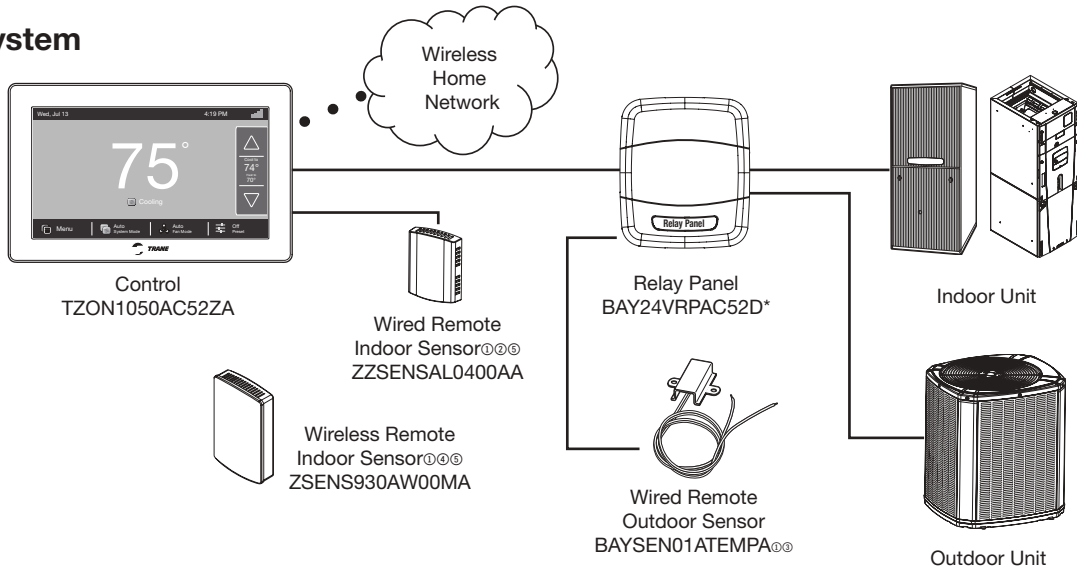
\*This is the same Zone Panel that ships as part of the Zoning Assembly

# ComfortLink™ II XL 1050 Control Component Overview

## Communicating System



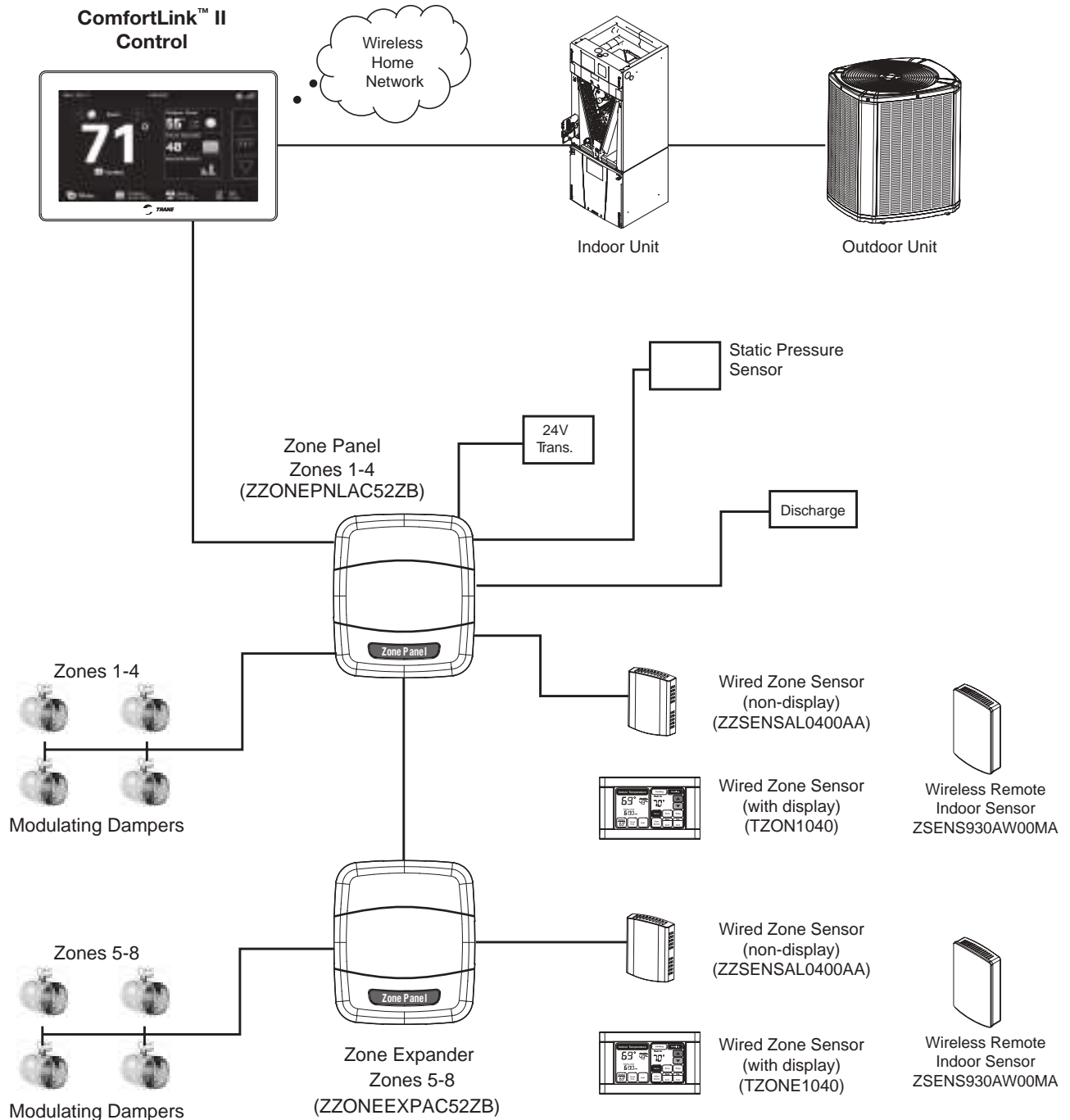
## 24V System



- ① Optional Accessory
- ② Can alternatively be connected to the Relay Panel
- ③ Can alternatively be connected to the 1050 Control
- ④ Z-wave sensor may be added to 1050 built in bridge
- ⑤ Use one wireless or wired sensor per zone

# ComfortLink™ II Zoning Component Overview

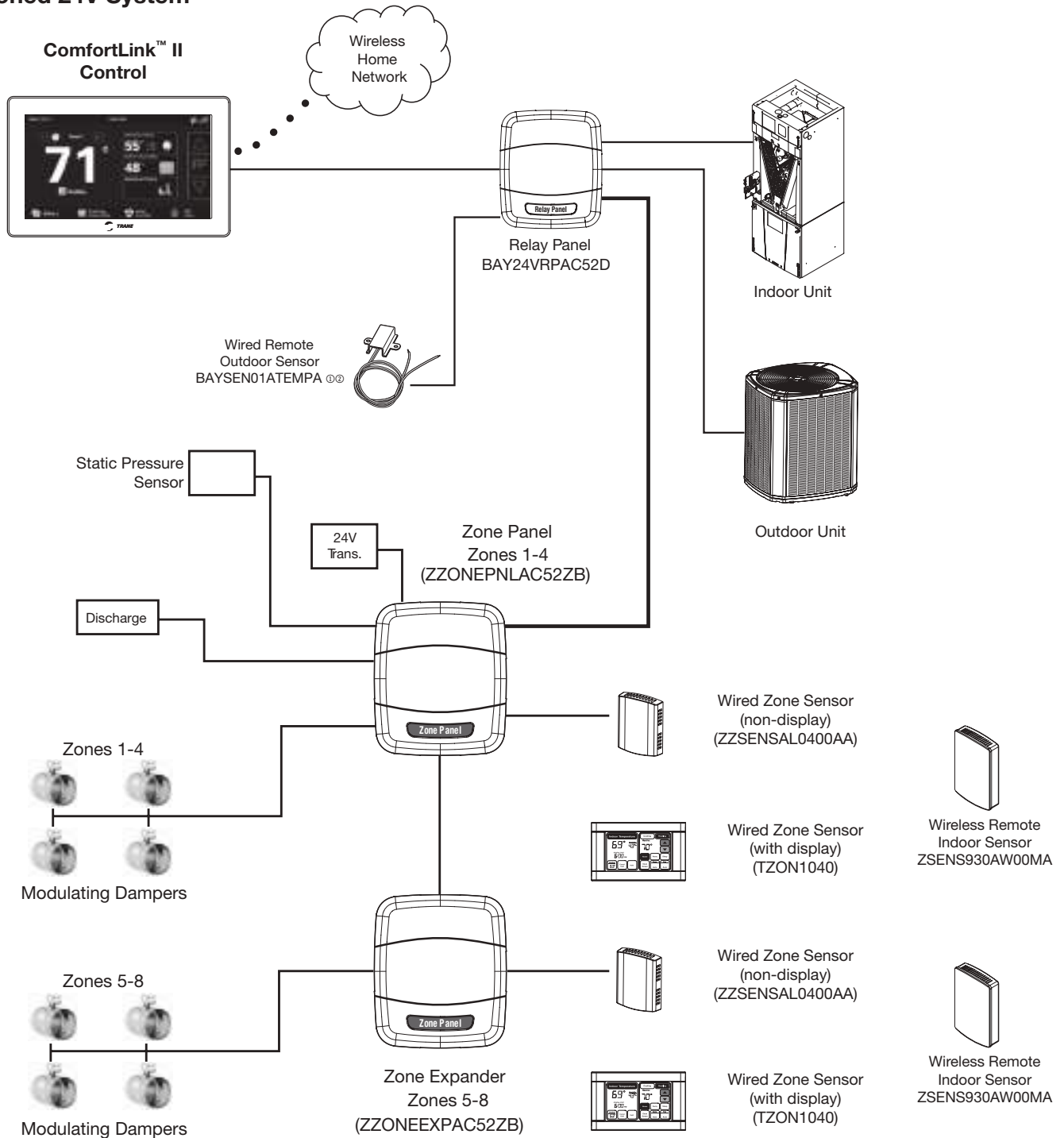
## Zoned Communicating System



- Note 1. Each Zone Panel or Zone Expander supports up to four zones.
  - Note 2. One 1040 may be installed per zone.
  - Note 3. Up to four 0400 wired sensors or 930 wireless sensors may be installed per zone.
  - Note 4. If a 1040 is used, then up to three 0400 wired sensors or 930 wireless sensors may be installed per zone.
  - Note 5. To apply up to four sensors per zone, software version 5,4 or higher is required.]
- Example: One 1040, two 930, and one 0400 may be installed per zone.

# ComfortLink™ II Zoning Component Overview (Cont.)

## Zoned 24V System



Note 1. Each Zone Panel or Zone Expander supports up to four zones.

Note 2. One 1040 may be installed per zone.

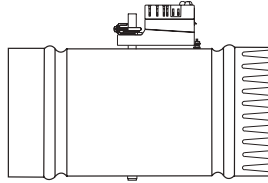
Note 3. Up to four 0400 wired sensors or 930 wireless sensors may be installed per zone.

Note 4. If a 1040 or 1050 is used, then up to three 0400 wired sensors or 930 wireless sensors may be installed per zone.

Note 5. To apply up to four sensors per zone, software version 5,4 or higher is required.]

Example: One 1040, two 930, and one 0400 may be installed per zone.

## 24 Volt Modulating Dampers



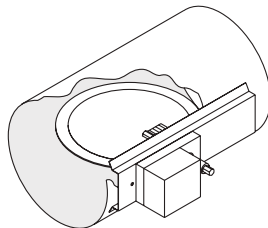
Round Dampers

### Round Dampers

- 24 VAC Powered open/Powered closed
- Three wire connection - 18 gauge
- 1.5 VA damper actuator with 60 second travel time
- 18 in. lbs. of torque
- Manual gear release
- Screw terminal blocks
- Flexible shutoff seal provides 98% closure

Table CCZO-17-A — Specifications: Round Dampers

Model Number	Power Supply	Description	Fits Round Duct Size
ZDAMPRDMA0004A	24 VAC	Round	4"
ZDAMPRDMA0006A	24 VAC	Round	6"
ZDAMPRDMA0007A	24 VAC	Round	7"
ZDAMPRDMA0008A	24 VAC	Round	8"
ZDAMPRDMA0009A	24 VAC	Round	9"
ZDAMPRDMA0010A	24 VAC	Round	10"
ZDAMPRDMA0012A	24 VAC	Round	12"
ZDAMPRDMA0014A	24 VAC	Round	14"
ZDAMPRDMA0016A	24 VAC	Round	16"
ZDAMPRDMA0018A	24 VAC	Round	18"
ZDAMPRDMA0020A	24 VAC	Round	20"



Retro-Fit Round Dampers

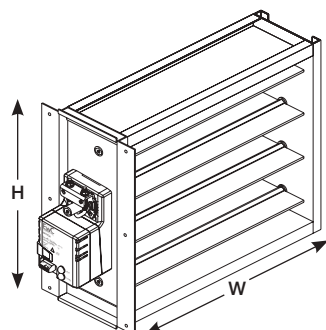
### Retro-Fit Round Dampers

- 24 VAC Powered open/Powered closed
- Three wire connection - 18 gauge
- Slip-In-Design installs quickly
- 1.5 VA damper actuator with 60 second travel time
- 18 in. lbs. of torque
- Manual gear release
- Screw terminal blocks
- Flexible shutoff seal provides 98% closure

Table CCZO-17-B — Specifications: Retrofit Round Dampers

Model Number	Power Supply	Description	Fits Round Duct Size
ZDAMPRRMA0004A	24 VAC	Retrofit Round	4"
ZDAMPRRMA0005A	24 VAC	Retrofit Round	5"
ZDAMPRRMA0006A	24 VAC	Retrofit Round	6"
ZDAMPRRMA0007A	24 VAC	Retrofit Round	7"
ZDAMPRRMA0008A	24 VAC	Retrofit Round	8"
ZDAMPRRMA0009A	24 VAC	Retrofit Round	9"
ZDAMPRRMA0010A	24 VAC	Retrofit Round	10"

## 24 Volt Modulating Dampers - Side Mount



Rectangular Dampers  
with Side Mount Actuator

### Rectangular Dampers with Side Mount Actuator

- 24 VAC Powered open/Powered closed
- Three wire connection - 18 gauge
- 1.5 VA damper actuator with 60 second travel time
- 18 in. lbs. of torque
- Manual gear release
- Screw terminal blocks
- 97% leak proof rating
- Sturdy aluminum blades and frame
- Motor is always located on the second dimension of the model number, i.e ZDAMP\*MMA1012A will have the motor mounted on the 12" dimension

Table CCZO-18-A – Specifications: Rectangular Dampers with Side Mount Actuator

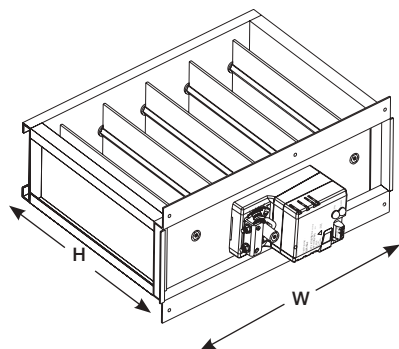
Model Number	Power Supply	Description	Uncrated Dimensions (in.)	
			W	H
ZDAMPSMMA0806A	24 VAC	Rectangular-Side Mount Actuator	8	6
ZDAMPSMMA0808A	24 VAC	Rectangular-Side Mount Actuator	8	8
ZDAMPSMMA1006A	24 VAC	Rectangular-Side Mount Actuator	10	6
ZDAMPSMMA1008A	24 VAC	Rectangular-Side Mount Actuator	10	8
ZDAMPSMMA1010A	24 VAC	Rectangular-Side Mount Actuator	10	10
ZDAMPSMMA1206A	24 VAC	Rectangular-Side Mount Actuator	12	6
ZDAMPSMMA1208A	24 VAC	Rectangular-Side Mount Actuator	12	8
ZDAMPSMMA1210A	24 VAC	Rectangular-Side Mount Actuator	12	10
ZDAMPSMMA1212A	24 VAC	Rectangular-Side Mount Actuator	12	12
ZDAMPSMMA1406A	24 VAC	Rectangular-Side Mount Actuator	14	6
ZDAMPSMMA1408A	24 VAC	Rectangular-Side Mount Actuator	14	8
ZDAMPSMMA1410A	24 VAC	Rectangular-Side Mount Actuator	14	10
ZDAMPSMMA1412A	24 VAC	Rectangular-Side Mount Actuator	14	12
ZDAMPSMMA1414A	24 VAC	Rectangular-Side Mount Actuator	14	14
ZDAMPSMMA1606A	24 VAC	Rectangular-Side Mount Actuator	16	6
ZDAMPSMMA1608A	24 VAC	Rectangular-Side Mount Actuator	16	8
ZDAMPSMMA1610A	24 VAC	Rectangular-Side Mount Actuator	16	10
ZDAMPSMMA1612A	24 VAC	Rectangular-Side Mount Actuator	16	12
ZDAMPSMMA1614A	24 VAC	Rectangular-Side Mount Actuator	16	14
ZDAMPSMMA1616A	24 VAC	Rectangular-Side Mount Actuator	16	16
ZDAMPSMMA1806A	24 VAC	Rectangular-Side Mount Actuator	18	6
ZDAMPSMMA1808A	24 VAC	Rectangular-Side Mount Actuator	18	8
ZDAMPSMMA1810A	24 VAC	Rectangular-Side Mount Actuator	18	10
ZDAMPSMMA1812A	24 VAC	Rectangular-Side Mount Actuator	18	12
ZDAMPSMMA1814A	24 VAC	Rectangular-Side Mount Actuator	18	14
ZDAMPSMMA1816A	24 VAC	Rectangular-Side Mount Actuator	18	16
ZDAMPSMMA1818A	24 VAC	Rectangular-Side Mount Actuator	18	18
ZDAMPSMMA2006A	24 VAC	Rectangular-Side Mount Actuator	20	6
ZDAMPSMMA2008A	24 VAC	Rectangular-Side Mount Actuator	20	8
ZDAMPSMMA2010A	24 VAC	Rectangular-Side Mount Actuator	20	10
ZDAMPSMMA2012A	24 VAC	Rectangular-Side Mount Actuator	20	12
ZDAMPSMMA2014A	24 VAC	Rectangular-Side Mount Actuator	20	14
ZDAMPSMMA2016A	24 VAC	Rectangular-Side Mount Actuator	20	16
ZDAMPSMMA2018A	24 VAC	Rectangular-Side Mount Actuator	20	18
ZDAMPSMMA2020A	24 VAC	Rectangular-Side Mount Actuator	20	20
ZDAMPSMMA2206A	24 VAC	Rectangular-Side Mount Actuator	22	6
ZDAMPSMMA2208A	24 VAC	Rectangular-Side Mount Actuator	22	8
ZDAMPSMMA2210A	24 VAC	Rectangular-Side Mount Actuator	22	10
ZDAMPSMMA2212A	24 VAC	Rectangular-Side Mount Actuator	22	12
ZDAMPSMMA2214A	24 VAC	Rectangular-Side Mount Actuator	22	14
ZDAMPSMMA2216A	24 VAC	Rectangular-Side Mount Actuator	22	16

## 24 Volt Modulating Dampers - Side Mount

Table CCZO-19-A – Specifications: Rectangular Dampers with Side Mount Actuator

Model Number	Power Supply	Description	Uncrated Dimensions (in.)	
			W	H
ZDAMPSMMA2218A	24 VAC	Rectangular-Side Mount Actuator	22	18
ZDAMPSMMA2220A	24 VAC	Rectangular-Side Mount Actuator	22	20
ZDAMPSMMA2222A	24 VAC	Rectangular-Side Mount Actuator	22	22
ZDAMPSMMA2406A	24 VAC	Rectangular-Side Mount Actuator	24	6
ZDAMPSMMA2408A	24 VAC	Rectangular-Side Mount Actuator	24	8
ZDAMPSMMA2410A	24 VAC	Rectangular-Side Mount Actuator	24	10
ZDAMPSMMA2412A	24 VAC	Rectangular-Side Mount Actuator	24	12
ZDAMPSMMA2414A	24 VAC	Rectangular-Side Mount Actuator	24	14
ZDAMPSMMA2416A	24 VAC	Rectangular-Side Mount Actuator	24	16
ZDAMPSMMA2418A	24 VAC	Rectangular-Side Mount Actuator	24	18
ZDAMPSMMA2420A	24 VAC	Rectangular-Side Mount Actuator	24	20
ZDAMPSMMA2422A	24 VAC	Rectangular-Side Mount Actuator	24	22
ZDAMPSMMA2424A	24 VAC	Rectangular-Side Mount Actuator	24	24
ZDAMPSMMA2606A	24 VAC	Rectangular-Side Mount Actuator	26	6
ZDAMPSMMA2608A	24 VAC	Rectangular-Side Mount Actuator	26	8
ZDAMPSMMA2610A	24 VAC	Rectangular-Side Mount Actuator	26	10
ZDAMPSMMA2612A	24 VAC	Rectangular-Side Mount Actuator	26	12
ZDAMPSMMA2614A	24 VAC	Rectangular-Side Mount Actuator	26	14
ZDAMPSMMA2616A	24 VAC	Rectangular-Side Mount Actuator	26	16
ZDAMPSMMA2618A	24 VAC	Rectangular-Side Mount Actuator	26	18
ZDAMPSMMA2620A	24 VAC	Rectangular-Side Mount Actuator	26	20
ZDAMPSMMA2622A	24 VAC	Rectangular-Side Mount Actuator	26	22
ZDAMPSMMA2624A	24 VAC	Rectangular-Side Mount Actuator	26	24
ZDAMPSMMA2626A	24 VAC	Rectangular-Side Mount Actuator	26	26
ZDAMPSMMA2806A	24 VAC	Rectangular-Side Mount Actuator	28	6
ZDAMPSMMA2808A	24 VAC	Rectangular-Side Mount Actuator	28	8
ZDAMPSMMA2810A	24 VAC	Rectangular-Side Mount Actuator	28	10
ZDAMPSMMA2812A	24 VAC	Rectangular-Side Mount Actuator	28	12
ZDAMPSMMA2814A	24 VAC	Rectangular-Side Mount Actuator	28	14
ZDAMPSMMA2816A	24 VAC	Rectangular-Side Mount Actuator	28	16
ZDAMPSMMA2818A	24 VAC	Rectangular-Side Mount Actuator	28	18
ZDAMPSMMA2820A	24 VAC	Rectangular-Side Mount Actuator	28	20
ZDAMPSMMA2822A	24 VAC	Rectangular-Side Mount Actuator	28	22
ZDAMPSMMA2824A	24 VAC	Rectangular-Side Mount Actuator	28	24
ZDAMPSMMA2826A	24 VAC	Rectangular-Side Mount Actuator	28	26
ZDAMPSMMA2828A	24 VAC	Rectangular-Side Mount Actuator	28	28
ZDAMPSMMA3006A	24 VAC	Rectangular-Side Mount Actuator	28	6
ZDAMPSMMA3008A	24 VAC	Rectangular-Side Mount Actuator	28	8
ZDAMPSMMA3010A	24 VAC	Rectangular-Side Mount Actuator	28	10
ZDAMPSMMA3012A	24 VAC	Rectangular-Side Mount Actuator	28	12
ZDAMPSMMA3014A	24 VAC	Rectangular-Side Mount Actuator	28	14
ZDAMPSMMA3016A	24 VAC	Rectangular-Side Mount Actuator	28	16
ZDAMPSMMA3018A	24 VAC	Rectangular-Side Mount Actuator	28	18
ZDAMPSMMA3020A	24 VAC	Rectangular-Side Mount Actuator	28	20
ZDAMPSMMA3022A	24 VAC	Rectangular-Side Mount Actuator	28	22
ZDAMPSMMA3024A	24 VAC	Rectangular-Side Mount Actuator	28	24
ZDAMPSMMA3026A	24 VAC	Rectangular-Side Mount Actuator	28	26
ZDAMPSMMA3028A	24 VAC	Rectangular-Side Mount Actuator	28	28
ZDAMPSMMA3030A	24 VAC	Rectangular-Side Mount Actuator	28	30

## 24 Volt Modulating Dampers - Bottom Mount



Rectangular Dampers  
with Bottom Mount Actuator

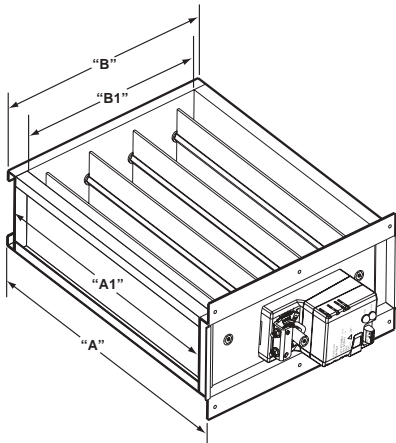
### Rectangular Dampers with Bottom Mount Actuator

- 24 VAC Powered open/Powered closed
- Three wire connection - 18 gauge
- 1.5 VA damper actuator with 60 second travel time
- 18 in. lbs. of torque
- Manual gear release
- Screw terminal blocks
- 97% leak proof rating
- Sturdy aluminum blades and frame
- Motor is always located on the second dimension of the model number, i.e ZDAMP\*MMA1012A will have the motor mounted on the 12" dimension

Table CCZO-20-A – Specifications: Rectangular Dampers with Bottom Mount Actuator

Model Number	Power Supply	Description	Uncrated Dimensions (in.)	
			W	H
ZDAMPBMMMA0810A	24 VAC	Rectangular-Bottom Mount Actuator	8	10
ZDAMPBMMMA0812A	24 VAC	Rectangular-Bottom Mount Actuator	8	12
ZDAMPBMMMA0814A	24 VAC	Rectangular-Bottom Mount Actuator	8	14
ZDAMPBMMMA0816A	24 VAC	Rectangular-Bottom Mount Actuator	8	16
ZDAMPBMMMA0818A	24 VAC	Rectangular-Bottom Mount Actuator	8	18
ZDAMPBMMMA0820A	24 VAC	Rectangular-Bottom Mount Actuator	8	20
ZDAMPBMMMA0822A	24 VAC	Rectangular-Bottom Mount Actuator	8	22
ZDAMPBMMMA0824A	24 VAC	Rectangular-Bottom Mount Actuator	8	24
ZDAMPBMMMA0826A	24 VAC	Rectangular-Bottom Mount Actuator	8	26
ZDAMPBMMMA0828A	24 VAC	Rectangular-Bottom Mount Actuator	8	28
ZDAMPBMMMA0830A	24 VAC	Rectangular-Bottom Mount Actuator	8	30
ZDAMPBMMMA1012A	24 VAC	Rectangular-Bottom Mount Actuator	10	12
ZDAMPBMMMA1014A	24 VAC	Rectangular-Bottom Mount Actuator	10	14
ZDAMPBMMMA1016A	24 VAC	Rectangular-Bottom Mount Actuator	10	16
ZDAMPBMMMA1018A	24 VAC	Rectangular-Bottom Mount Actuator	10	18
ZDAMPBMMMA1020A	24 VAC	Rectangular-Bottom Mount Actuator	10	20
ZDAMPBMMMA1022A	24 VAC	Rectangular-Bottom Mount Actuator	10	22
ZDAMPBMMMA1024A	24 VAC	Rectangular-Bottom Mount Actuator	10	24
ZDAMPBMMMA1026A	24 VAC	Rectangular-Bottom Mount Actuator	10	26
ZDAMPBMMMA1028A	24 VAC	Rectangular-Bottom Mount Actuator	10	28
ZDAMPBMMMA1030A	24 VAC	Rectangular-Bottom Mount Actuator	10	30
ZDAMPBMMMA1214A	24 VAC	Rectangular-Bottom Mount Actuator	12	14
ZDAMPBMMMA1216A	24 VAC	Rectangular-Bottom Mount Actuator	12	16
ZDAMPBMMMA1218A	24 VAC	Rectangular-Bottom Mount Actuator	12	18
ZDAMPBMMMA1220A	24 VAC	Rectangular-Bottom Mount Actuator	12	20
ZDAMPBMMMA1222A	24 VAC	Rectangular-Bottom Mount Actuator	12	22
ZDAMPBMMMA1224A	24 VAC	Rectangular-Bottom Mount Actuator	12	24
ZDAMPBMMMA1226A	24 VAC	Rectangular-Bottom Mount Actuator	12	26
ZDAMPBMMMA1228A	24 VAC	Rectangular-Bottom Mount Actuator	12	28
ZDAMPBMMMA1230A	24 VAC	Rectangular-Bottom Mount Actuator	12	30
ZDAMPBMMMA1416A	24 VAC	Rectangular-Bottom Mount Actuator	14	16
ZDAMPBMMMA1418A	24 VAC	Rectangular-Bottom Mount Actuator	14	18
ZDAMPBMMMA1420A	24 VAC	Rectangular-Bottom Mount Actuator	14	20
ZDAMPBMMMA1422A	24 VAC	Rectangular-Bottom Mount Actuator	14	22
ZDAMPBMMMA1424A	24 VAC	Rectangular-Bottom Mount Actuator	14	24
ZDAMPBMMMA1426A	24 VAC	Rectangular-Bottom Mount Actuator	14	26
ZDAMPBMMMA1428A	24 VAC	Rectangular-Bottom Mount Actuator	14	28
ZDAMPBMMMA1430A	24 VAC	Rectangular-Bottom Mount Actuator	14	30
ZDAMPBMMMA1618A	24 VAC	Rectangular-Bottom Mount Actuator	16	18
ZDAMPBMMMA1620A	24 VAC	Rectangular-Bottom Mount Actuator	16	20
ZDAMPBMMMA1622A	24 VAC	Rectangular-Bottom Mount Actuator	16	22
ZDAMPBMMMA1624A	24 VAC	Rectangular-Bottom Mount Actuator	16	24
ZDAMPBMMMA1626A	24 VAC	Rectangular-Bottom Mount Actuator	16	26
ZDAMPBMMMA1628A	24 VAC	Rectangular-Bottom Mount Actuator	16	28
ZDAMPBMMMA1630A	24 VAC	Rectangular-Bottom Mount Actuator	16	30
ZDAMPBMMMA1820A	24 VAC	Rectangular-Bottom Mount Actuator	18	20
ZDAMPBMMMA1822A	24 VAC	Rectangular-Bottom Mount Actuator	18	22
ZDAMPBMMMA1824A	24 VAC	Rectangular-Bottom Mount Actuator	18	24
ZDAMPBMMMA1826A	24 VAC	Rectangular-Bottom Mount Actuator	18	26
ZDAMPBMMMA2022A	24 VAC	Rectangular-Bottom Mount Actuator	20	22
ZDAMPBMMMA2024A	24 VAC	Rectangular-Bottom Mount Actuator	20	24

## 24 Volt Modulating Dampers



**Table CCZO-21-A – Rectangular Damper Net Free Area**

Listed Size	Actual Outside Size	Actual Inside Size	8	10	12	14	16	18	20	22	24	26	28	30	Listed SizeHigh	
			7.813	9.813	11.813	13.813	15.813	17.813	19.813	21.813	23.813	25.813	27.813	29.813	29.813	Act. Outside Size B
			5.813	7.813	9.813	11.813	13.813	15.813	17.813	19.813	21.813	23.813	25.813	27.813	27.813	Act. Inside Size B1
Wide	A1	A1	3	3	4	5	6	7	7	8	9	10	11	11	No. of Blades	
6	5.812	4.313	19.5	28.1	34.9	41.6	48.6	55.1	63.8	70.5	77.3	84.0	90.8	99.4		
8	7.812	6.313	28.5	41.1	51.0	60.9	70.8	80.7	93.3	103.2	113.1	123.0	132.9	145.5		
10	9.812	8.313	37.5	54.2	67.2	80.2	93.2	106.3	122.9	135.9	148.9	162.0	175.0	191.6		
12	11.812	10.313	46.5	67.2	83.3	99.5	115.7	131.8	152.5	168.6	184.8	200.9	217.1	237.7		
14	13.812	12.313	55.6	80.2	99.5	118.8	138.1	157.4	182.0	201.3	220.6	239.9	259.2	283.8		
16	15.812	14.313	64.6	93.2	115.7	138.1	160.5	183.0	211.6	234.0	256.4	278.9	301.3	329.9		
18	17.812	16.313	73.6	106.3	131.8	157.4	183.0	208.5	241.1	266.7	292.3	317.8	343.4	376.0		
20	19.812	18.313	82.7	119.3	148.0	176.7	205.4	234.1	270.7	299.4	328.1	356.8	385.5	422.1		
22	21.812	20.313	91.7	132.3	164.2	196.0	227.8	259.6	300.3	332.1	363.9	395.8	427.6	468.2		
24	23.812	22.313	100.7	145.4	180.3	215.3	250.2	285.2	329.8	364.8	399.8	435.2	469.7	514.3		
26	25.812	24.313	109.8	158.4	196.5	234.6	272.7	310.8	359.4	397.5	435.6	473.7	511.8	560.4		
28	27.812	26.313	118.8	171.4	212.6	253.9	295.1	336.3	389.0	430.2	471.4	512.7	553.8	606.5		
30	29.812	28.313	127.8	184.4	228.8	273.2	317.5	361.9	418.5	462.9	507.3	551.6	596.0	652.6		



It's Hard To Stop A Trane.®

# Programmable Touchscreen Thermostats



TCONT303AS42DA

## TCONT303AS42DA

- 5" Diagonal Touchscreen
- Built-in Humidity sensor
- Programmable: 7 day, 5/1/1 day, or none
- Common preferred, not required with 2AA battery power (included)
- Simple to install and use
- 5" diagonal touchscreen
- Remote wired indoor or outdoor sensor option
- Control with one indoor sensor or average with thermostat internal sensor
- Armchair Programming (requires batteries)
- Cooling dehumidification (DHM) (normally closed relay; opens, 24V to BK)
- Humidifier Relay (HM)

## Application:

- Up to 4 Heat/2 Cool (Gas, Oil or Electric) / HP / Dual Fuel
- ZZSENSAL0300AA - Remote Indoor Temperature Sensor
- BAYSEN30ATEMPA - Remote Outdoor Temperature Sensor

## Dimensions:

- 4.56" h x 5.81" h x 1.18" d
- Finish: Bright White



TCONT302AS42DA

## TCONT302AS42DA

- 5" Diagonal Touchscreen
- Programmable: 7 day, 5/1/1 day, or none
- Common preferred, not required with 2AA battery power (included)
- Simple to install and use
- 5" diagonal touchscreen
- Remote wired indoor or outdoor sensor option
- Control with one indoor sensor or average with thermostat internal sensor
- Armchair Programming (requires batteries)

## Application:

- Up to 4 Heat/2 Cool (Gas, Oil or Electric) / HP / Dual Fuel
- ZZSENSAL0300AA - Remote Indoor Temperature Sensor
- BAYSEN30ATEMPA - Remote Outdoor Temperature Sensor

## Dimensions:

- 4.56" h x 5.81" h x 1.18" d
- Finish: Bright White

## Programmable Thermostats



**TCONT203AS42MA**

### TCONT203AS42MA

#### 4 Heat/2 Cool

- 5/1/1 or 7 day Programming
- Simple to Install and Use
- 3.5" Diagonal, Backlit Display
- Common preferred, not required with 2AA battery power (included)
- Easy to follow Sequential Programming
- Indoor and setpoint temperatures displayed simultaneously
- Easy battery access
- Easy to understand soft key controls

#### Application:

- Up to 4 Heat/2 Cool (Gas, Oil or Electric) / HP / Dual Fuel (non-restricted mode only)

#### Dimensions:

- 3.75" h x 6.0" w x 1.12" d
- Finish: Bright White



**TCONT202AS11MA**

### TCONT202AS11MA

#### 1 Heat/1 Cool

- 5/1/1 or 7 day Programming
- Simple to Install and Use
- 3.5" Diagonal, Backlit Display
- Common preferred, not required with 2AA battery power (included)
- Standard Wiring Terminal Block
- Easy to follow Sequential Programming
- Indoor and setpoint temperatures displayed simultaneously
- No auxiliary heat capability
- Easy battery access
- Easy to understand soft key controls

#### Application:

- 1 Heat/1 Cool

#### Dimensions:

- 3.75" h x 6.0" w x 1.12" d
- Finish: Bright White



It's Hard To Stop A Trane.®

## Non-Programmable Comfort Controls



TCONT103A

### TCONT103AN21MA

#### 2 Heat/1 Cool

- Push Button, Non-Programmable
- 1.9" Diagonal Display
- Configurable Switchover Valve
- Emergency Heat
- Common required
- Fahrenheit or Celsius
- Keypad Lock

#### Application

- Up to 2 Heat/1Cool (HP only)
- 1 Stage Compressor
- 1 Stage Auxiliary Heat

#### Dimensions:

- 3.88" h x 5.5" h x 1.18" d
- Finish: Bright White



TCONT102A

### TCONT102AN11AA

#### 1 Heat/1 Cool

- Push Button, Non-Programmable
- 1.9" Diagonal Display
- No Common Terminal
- Battery Powered Only (Batteries included)
- RH / RC Jumper
- Fahrenheit or Celsius

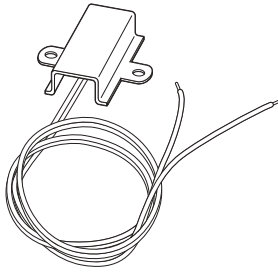
#### Application

- Up to 1Heat/1 Cool (Gas, Oil or Electric)
- Finish: Bright White

#### Dimensions:

- 3.88" h x 5.5" h x 1.18" d
- Finish: Bright White

## Remote Sensors



### BAYSEN01ATEMPA

- Outdoor Temperature Sensor for use with TZON1050AC, TCONT850AC, TCONT824AS, BAY24VRPAC52D\*.
- Accuracy +/- 1.5°F over 32°F to 100°F
- Display Range -40°F to 140°F



### ZZSENSAL0400AA

- Indoor Wired Sensor for use with TZON1050AC, TCONT850AC, TCONT824AS, BAY24VRPAC52D\*.
- Operating Ambient Temperature Range: 20° to 120°F (-6.7° to 48.9°C)
- Display Range: 20° to 120°F (-6.7° to 48.9°C)
- Sensor Accuracy: +/- .5°F at 75°F
- Operating Relative Humidity: 5% to 90% non-condensing

#### Dimensions in in. (mm):

- 1.54 (39)w x 1.93 (49)h x .625 (16)d
- Storage Temperature: -40° to 140°F (-40° to 60°C)
- Finish: White



### ZSENS930AW00MA

- Indoor Wireless Temperature and Humidity Sensor for use with TCONT824, TCONT850, TZON1050, TLINK360
- Operating Ambient Temperature Range: 32° to 104°F (0° to 40°C)
- Power Supply: Two AAA alkaline batteries
- Sensor Accuracy: +/- 1°F over the sensing range of 32°F to 120°F (0° to 48.9°C)
- Operating Relative Humidity: 10% to 90% non-condensing

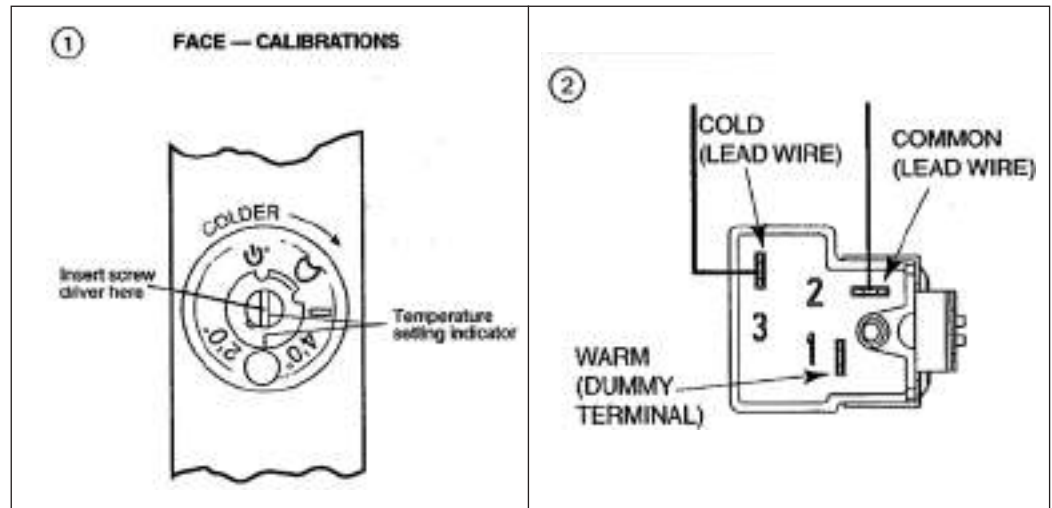
#### Dimensions in in. (mm):

- 2.0" (51)w x 3.25" (83)h x .6 (15)d
- Storage Temperature: -40° to 140°F (-40° to 65°C)
- Finish: White

## Outdoor Thermostat Kit

### TAYSTAT250B

- The outdoor thermostat (ODT) is designed to turn "ON" the supplementary heater at a pre-selected outdoor temperature.
- The number and setting of the ODT is dependent on the heat loss of the structure and capacity of the heating system installed.
- This model ODT gives a temperature range for 44°F to -10°F (See figure 1 for settings). The switching action is single pole/double throw, opening on temperature rise and closing on temperature fall, completing the circuit through the thermostat.



# Packaged Cooling Convertible 2-5 Tons

## CHOICE



**5TCC4  
14 SEER2  
1-Phase**

**Table PK-1-A — CHOICE - 5TCC4 14 Single-Stage Air Conditioner Packaged - R-454B**

Model Number	Cooling Capacity (BTUH)	SEER2/EER2	Shipping Weight	MCA	Max Fuse	Sound Rating	Uncrated Dimensions (in.) H x D x W
<b>5TCC4 (14 SEER2) – 208-230/1/60</b>							
5TCC4024A1000A	24000	14.3/11	436	16	25	67	36 x 44 x 51
5TCC4030A1000A	28400	14.0/11	454	21	30	70	38 x 44 x 51
5TCC4036A1000A	36800	13.8/11	458	28	40	71.4	38 x 44 x 51
5TCC4042A1000A	40000	13.8/11	564	26	40	75	36 x 47 x 61
5TCC4048A1000A	47500	13.4/11	563	36	50	73	40 x 47 x 61
5TCC4060A1000A	58500	13.4/11	588	41	60	76	40 x 47 x 61

**Table PK-1-B — Features 2-5**

	CHOICE 5TCC4 2-5
• SEER2 up to.....	14.3
• Exclusive Climatuff™ high efficiency compressor with internal overload protection.....	✓
• Factory supplied charge.....	R-454B
• Composite Vortica® indoor blower.....	✓
• Direct drive, variable speed ECM blower motor**.....	-
• Direct drive, multi-speed ECM blower motor (high efficiency)*.....	✓
• All aluminum Spine Fin™ outdoor coil.....	✓
• Swept-blade outdoor fan for quiet operation.....	✓
• Architecturally integrated louvers.....	✓
• Polyslate gray cabinet.....	✓
• Single stage cooling.....	✓
• High pressure cutout.....	✓
• Low pressure cutout.....	✓
• Liquid line drier - factory installed.....	✓
• High temperature cutout.....	✓
• Non-bleed expansion valves on indoor coil.....	✓
• Pressure taps, including liquid line taps, easily accessed and protected inside compressor compartment.....	✓
• Right side electrical service access for high and low voltage connections.....	✓
• Rugged steel basepan features deep drawn duct connections.....	✓
• Steeply sloped composite drainpan.....	✓
• Ships in horizontal configuration and converts quickly for downflow.....	✓
• Copper tube, aluminum fin indoor coil.....	5
• All aluminum indoor coil.....	2-4
• All models are certified to UL 60335-2-40.....	✓
• Factory installed Refrigerant Detection Sensor.....	✓
• 10-year compressor, 10-year coils, and 10-year all other functional parts limited warranty with registration† (Residential use).....	✓
• Extended warranties available.....	✓

\* Constant torque ECM (electronically commutated motor).

\*\* Constant airflow ECM (electronically commutated motor).

† Registered Limited Warranty terms are available when you register within 60 days of installation. You can register online at Trane.com or by phone at 855-260-2975, otherwise Trane's Base Limited Warranty terms will apply. Base Limited Warranty information on specific products can be found on Comfortsite.com. Product Registration and Registration Transfer exclusions vary in the US from state to state and in Canada from province to province. To determine if there are specific exclusions for your state or province check your local laws.

**For dimensional/outline drawings, please refer to Product Data.  
For information on Roof Curbs, please refer to the Accessories/Information Tab.**



It's Hard To Stop A Trane.®

# Packaged Cooling Convertible 2-5 Tons

## CHOICE

Table PK-2-A — Accessories

Model Number	Description	Shipping Weight	CHOICE 5TCC4 2-5
BAYACCDOR1A...	Hinged Filter Access Door ⑩.....		2-3
BAYACCDOR2A...	Hinged Filter Access Door ⑩.....		3½-5
BAYACCEADP1B..	Adaptor Kit for Installation of CleanEffects™ and 5" Media Filter (Horizontal) ⑩.....	10.....	2-3
BAYACCEADP2B..	Adaptor Kit for Installation of CleanEffects™ and 5" Media Filter (Horizontal) ⑩.....	12.....	3½-5
BAYADAP050A ....	Adapter Curb (Cabinet A/B).....		2-3
BAYADAP051A ....	Adapter Curb (Cabinet C).....		2-3
BAYADAP052A ....	Adapter Curb (Cabinet A/B).....		3½-5
BAYADAP053A ....	Adapter Curb (Cabinet C).....		3½-5
BAYADAP054A ....	Adapter Curb (Cabinet D).....		3½-5
BAYASCT001 .....	Anti-Short Cycle Timer ⑩.....		✓
BAYCCHT102A ....	Crankcase Heater (230V) (Scroll).....		3½-5
BAYCCHT103A ....	Crankcase Heater (230V) (Scroll).....		2-3
BAYCOVR112A....	12" Duct Shroud (Covers Horizontal Ducts) ⑥.....		✓
BAYCOVR118A....	18" Duct Shroud (Covers Horizontal Ducts) ⑥.....		✓
BAYCURB050A....	Flat Roof Full Perimeter Curb (Insulated).....	74.....	2-3
BAYCURB051A....	Flat Roof Full Perimeter Curb (Insulated).....	74.....	3½-5
BAYDMPR101A ...	2-Position Motorized Damper ②⑦⑧⑨⑩.....		2-3
BAYDMPR102A ...	2-Position Motorized Damper ②⑦⑧⑨⑩.....		3½-5
BAYECON105A....	Economizer with Barometric Relief (Downflow) ①②③④⑩⑪.....		2-3
BAYECON106A....	Economizer with Barometric Relief (Downflow) ①②③④⑩⑪.....		3½-5
BAYECON205A....	Economizer (Horizontal) ①②③④⑦.....		2-3
BAYECON206A....	Economizer (Horizontal) ①②③④⑦.....		3½-5
BAYENTH001A ....	Enthalpy Control Kit ③.....	2.....	✓
BAYEXMK001A....	Extreme Conditions Mounting Kit (Used on BAYCURB & BAYADAP).....		✓
BAYEXMK002B ...	Extreme Conditions Mounting Kit (Used on BAYUTIL).....		✓
BAYEXMK003A....	Extreme Conditions Mounting Kit (Used on Slab Mounts).....		✓
BAYFLTR101C .....	1-2" Filter Frame-Requires one 18x25 filter (not included) ②.....	6.....	2-3
BAYFLTR201C .....	1-2" Filter Frame-Requires one 18x20, and one 18x18 filter (not included) ②⑩.....	6.....	3½-5
BAYLIFT002B .....	Lifting Lug Kit.....	5.....	✓
BAYLOAM105B ...	Low Ambient Control Kit.....	5.....	✓
BAYLOAM011A ...	Evaporator Defrost Control Kit.....	5.....	✓
BAYOSAH001A....	Manual Fresh Air Damper ②.....	6.....	2-3
BAYOSAH002A....	Manual Fresh Air Damper ②.....	8.....	3½-5
BAYQSTK300B ....	Start Kit (not factory installed).....		✓
BAYUTIL101B .....	Roof Curb Extension Kit.....		2-3
BAYUTIL102B .....	Roof Curb Extension Kit.....		3½-5

① Relay required with economizer on all heat pump applications.

② Must use filter frame when economizer/fresh air kit is used.

③ Dry bulb control standard with economizer.

④ 2-Stage cooling control required when using economizer.

⑤ BAYOASH001/002 is not compatible with BAYACCDOR1A or BAYACCDOR2A

⑥ BAYCOVR112,118A will not cover BAYSQRD002B applications.

⑦ Does not contain barometric relief.

⑧ Max fresh air - 25%.

⑨ For non-continuous fan gas-heating applications, the damper opens only when the OD ambient is above 50° F.

⑩ BAYACCDOR1A requires BAYFLTR101C &amp; BAYACCDOR2A requires BAYFLTR201C. They are not backward compatible to BAYFLTR101/201A/B.

⑪ It is the designer/engineer/installer's responsibility to review product specifications and technical literature to insure optimal performance and compliance to codes.

⑫ Temperature of mixed air entering the heat exchanger is monitored and fresh air intake may be reduced under certain conditions.

⑬ When using a BAYACCDOR2A, two 18x20 filters are required

⑭ Do not use with electronic thermostats

EXISTING CURB	NEW UNIT 5TC**A	USE BAYADAP0**A
BAYCURB030,38A	024-036	50
BAYCURB030,38A	042-060	52
BAYCURB033A	024-036	51
BAYCURB033A	042-060	53
BAYCURB034A	042-060	54

# Packaged Earthwise™ Hybrid/Dual Fuel Convertible 2-5 Tons

**PRIORITY**



**5DCZ5  
15 SEER2  
1-Phase**

**Table PK-3-A – PRIORITY - 5DCZ5 15 Two Stage Earthwise Hybrid Gas Furnace/Heat Pump Packaged R-454B**

Model Number	Cooling Capacity (BTUH)	Gas Capacity Heating Output	SEER2/EER2	HSPF2	AFUE(%)	Shipping Weight	MCA	Max Fuse	Sound Rating	Uncrated Dimensions (in.) H x D x W
<b>5DCZ5 – 208-230/1/60</b>										
5DCZ5024A1060A	23400	22,200	15.2 / 11.5	7.2	81%	490	18	25	67	38 x 44 x 51
5DCZ5030A1070A	29600	28800	15.2 / 11.2	7.2	81%	494	23	35	67	38 x 44 x 51
5DCZ5036A1070A	35400	33,800	15.2 / 11.5	8.1	81%	491	23	35	70	38 x 44 x 51
5DCZ5042A1090A	42000	39000	15.2 / 11.5	7.2	81%	644	30	45	72	42 x 47 x 61
5DCZ5048A1090A	47000	42,500	15.2 / 11.5	8.1	81%	670	31	45	72	42 x 47 x 61
5DCZ5060A1115A	57500	56,500	15.2 / 11.5	7.2	81%	679	40	60	74	42 x 47 x 61

**Table PK-3-B – Features 2-5**

	<b>PRIORITY 5DCZ5 2-5</b>
• SEER2 up to .....	15.2
• HSPF2 up to .....	8.1
• Exclusive Climatuff™ high efficiency compressor with internal overload protection .....	✓
• Factory supplied charge .....	R-454B
• Composite Vortica® indoor blower** .....	✓
• Direct drive, variable speed ECM blower motor .....	✓
• All aluminum Spine Fin™ outdoor coil .....	✓
• Swept-blade outdoor fan for quiet operation .....	✓
• Architecturally integrated louvers .....	✓
• Polyslate gray cabinet .....	✓
• Stainless steel heat exchanger and burners .....	✓
• Two stage heating & cooling .....	✓
• 2-stage gas .....	✓
• High pressure cutout .....	✓
• Low pressure cutout .....	✓
• Liquid line drier - factory installed .....	✓
• High Temperature Cutout .....	✓
• Non-bleed expansion valves on indoor and outdoor coils .....	✓
• Pressure taps, including liquid line taps, easily accessed and protected inside compressor compartment .....	✓
• Right side electrical service access for high and low voltage connections .....	✓
• Rugged steel basepan features deep drawn duct connections .....	✓
• Steeply sloped composite drainpan .....	✓
• Ships in horizontal configuration and converts quickly for downflow .....	✓
• Copper tube, aluminum fin indoor coil .....	✓
• All models are certified to UL 60335-2-40 .....	✓
• Factory installed Refrigerant Detection Sensor and ANSI Z21.47 / CSA 2.3 .....	✓
• 20-year heat exchanger, 12-year compressor, 10-year coils, & 10-year all other functional parts limited warranty with registration† (Residential use) .....	✓
• Extended Warranties Available .....	✓

\*\* Constant airflow ECM (electronica)

† Registered Limited Warranty terms are available when you register within 60 days of installation. You can register online at [Trane.com](http://Trane.com) or by phone at 855-260-2975, otherwise Trane's Base Limited Warranty terms will apply. Base Limited Warranty information on specific products can be found on [Comfortsite.com](http://Comfortsite.com). Product Registration and Registration Transfer exclusions vary in the US from state to state and in Canada from province to province. To determine if there are specific exclusions for your state or province check your local laws.

For Energy Star Information, please refer to: <https://www.ahridirectory.org/>

**For dimensional/outline drawings, please refer to Product Data.  
For information on Roof Curbs, please refer to the Accessories/Information Tab.**



# Packaged Earthwise™ Hybrid/Dual Fuel Convertible 2-5 Tons

## PRIORITY

**Table PK-4-A — Accessories**

Model Number	Description	Shipping Weight	PRIORITY 5DC25 2-5
BAYACCDOR1A.....	Hinged Filter Access Door ⑩.....		2-3
BAYACCDOR2A.....	Hinged Filter Access Door ⑩.....		3½-5
BAYACCEADP1B.....	Adaptor Kit for Installation of CleanEffects™ and 5" Media Filter (Horizontal) ⑩.....	10	2-3
BAYACCEADP2B.....	Adaptor Kit for Installation of CleanEffects™ and 5" Media Filter (Horizontal) ⑩.....	12	3½-5
BAYADAP050A.....	Adapter Curb (Cabinet A/B).....		2-3
BAYADAP051A.....	Adapter Curb (Cabinet C).....		2-3
BAYADAP052A.....	Adapter Curb (Cabinet A/B).....		3½-5
BAYADAP053A.....	Adapter Curb (Cabinet C).....		3½-5
BAYADAP054A.....	Adapter Curb (Cabinet D).....		3½-5
BAYASCT001.....	Anti-Short Cycle Timer ⑩.....		✓
BAYCCHT102A.....	Crankcase Heater (230V) (Scroll).....		3½-5
BAYCCHT103A.....	Crankcase Heater (230V) (Scroll).....		2-3
BAYCOVR112A.....	12" Duct Shroud (Covers Horizontal Ducts) 6.....		✓
BAYCOVR118A.....	18" Duct Shroud (Covers Horizontal Ducts) 6.....		✓
BAYCURB050A.....	Flat Roof Full Perimeter Curb (Insulated).....	74	2-3
BAYCURB051A.....	Flat Roof Full Perimeter Curb (Insulated).....	74	3½-5
BAYDMPR101A.....	2-Position Motorized Damper ②⑦⑧⑨⑩.....		2-3
BAYDMPR102A.....	2-Position Motorized Damper ②⑦⑧⑨⑩.....		3½-5
BAYECON107A.....	Economizer with Barometric Relief (Downflow) ①②③④⑤⑥.....	50	2-3
BAYECON108A.....	Economizer with Barometric Relief (Downflow) ①②③④⑤⑥.....	65	3½-5
BAYECON207A.....	Economizer (Horizontal) ①②③④⑦.....		2-3
BAYECON208A.....	Economizer (Horizontal) ①②③④⑦.....		3½-5
BAYENTH001A.....	Enthalpy Control Kit ③.....	2	✓
BAYEXMK001A.....	Extreme Conditions Mounting Kit (Used on BAYCURB & BAYADAP).....		✓
BAYEXMK002B.....	Extreme Conditions Mounting Kit (Used on BAYUTIL).....		✓
BAYEXMK003A.....	Extreme Conditions Mounting Kit (Used on Slab Mounts).....		✓
BAYFLTR101C.....	1-2" Filter Frame-Requires one 18x25 filter (not included) ②.....	6	2-3
BAYFLTR201C.....	1-2" Filter Frame-Requires one 18x20, and one 18x18 filter (not included) ②③.....	6	3½-5
BAYLIFT002B.....	Lifting Lug Kit.....	5	✓
BAYLOAM105B.....	Low Ambient Control Kit.....	5	✓
BAYLPKT100C.....	LP Conversion Kit.....		40K, 120K
BAYLPKT101C.....	LP Conversion Kit.....		64K, 70K, 96K
BAYLPKT102C.....	LP Conversion Kit.....		75K
BAYLPKT103A.....	LP Conversion Kit.....		60K, 90K
BAYLPKT104A.....	LP Conversion Kit.....		115K
BAYOSAC001C.....	Outside Air Control for V.S. Economizer ③.....		✓
BAYOSAH001A.....	Manual Fresh Air Damper ②.....	6	2-3
BAYOSAH002A.....	Manual Fresh Air Damper ②.....	6	3½-5
BAYQSTK301C.....	Start Kit (not factory installed).....		✓
BAYRLAY006B.....	Economizer Relay ①.....		✓
BAYUTIL101B.....	Roof Curb Extension Kit.....		2-3
BAYUTIL102B.....	Roof Curb Extension Kit.....		3½-5

- ① Relay required with economizer on all heat pump applications.
- ② Must use filter frame when economizer/fresh air kit is used.
- ③ Dry bulb control standard with economizer.
- ④ 2-Stage cooling control required when using economizer.
- ⑤ BAYOASH001/002 is not compatible with BAYACCDOR1A or BAYACCDOR2A
- ⑥ BAYCOVR112,118A will not cover BAYSQRD002B applications.
- ⑦ Does not contain barometric relief.
- ⑧ Max fresh air - 25%.
- ⑨ For non-continuous fan gas-heating applications, the damper opens only when the OD ambient is above 50° F.
- ⑩ BAYACCDOR1A requires BAYFLTR101C & BAYACCDOR2A requires BAYFLTR201C. They are not backward compatible to BAYFLTR101/201A/B.
- ⑪ It is the designer/engineer/installer's responsibility to review product specifications and technical literature to insure optimal performance and compliance to codes.
- ⑫ Temperature of mixed air entering the heat exchanger is monitored and fresh air intake may be reduced under certain conditions.
- ⑬ When using a BAYACCDOR2A, two 18x20 filters are required
- ⑭ Do not use with electronic thermostats

EXISTING CURB	NEW UNIT 5DC**A	USE BAYADAP0**A
BAYCURB030,38A	024-036	50
BAYCURB030,38A	042-060	52
BAYCURB033A	024-036	51
BAYCURB033A	042-060	53
BAYCURB034A	042-060	54

**For dimensional/outline drawings, please refer to Product Data.  
For information on Roof Curbs, please refer to the Accessories/Information Tab.**

# Packaged Heat Pump Convertible 2-5 Tons

## PRIORITY



**5WCZ5**  
**15.2 SEER2**  
**3-Phase**

**Table PK-5-A — PRIORITY - 5WCZ5 15 3 Phase Two-Stage Heat Pump Packaged - R-454B**

Model Number	Cooling Capacity (BTUH)	SEER2	EER2 High/Low	HSPF2	Shipping Weight	MCA	Max Fuse	Sound Rating	Uncrated Dimensions (in.) H x D x W
<b>5WCZ5 – 208-230/3/60</b>									
5WCZ5036A3000A	35000	15.2	11.5	7.7	469	20	30	70	38 x 42 x 49
5WCZ5048A3000A	46000	15.2	11.5	8.1	609	23	30	72	42 x 45 x 59
5WCZ5060A3000A	58000	15.2	11.5	7.2	623	27	40	74	42 x 45 x 59
<b>5WCZ5 – 460/3/60</b>									
5WCZ5036A4000A	35000	15.2	11.5	7.7	481	12	15	72	38 x 42 x 49
5WCZ5048A4000A	46000	15.2	11.5	8.1	630	16	20	75.6	42 x 45 x 59
5WCZ5060A4000A	58000	15.2	11.5	7.2	644	18	25	77	42 x 45 x 59



**5WCZ5**  
**15.2 SEER2**  
**1-Phase**

**Table PK-5-B — PRIORITY - 5WCZ5 15 Two-Stage Heat Pump Packaged - R-454B**

Model Number	Cooling Capacity (BTUH)	SEER2	EER2 High/Low	HSPF2	Shipping Weight	MCA	Max Fuse	Sound Rating	Uncrated Dimensions (in.) H x D x W
<b>5WCZ5 – 208-230/1/60</b>									
5WCZ5024A1000A	23400	15.2	11.5	7.2	445	18	25	67	38 x 44 x 51
5WCZ5030A1000A	29600	15.2	11.2	7.2	448	23	35	67	38 x 44 x 51
5WCZ5036A1000A	35200	15.2	11.5	7.7	472	23	35	70	38 x 44 x 51
5WCZ5042A1000A	42000	15.2	11.5	7.2	586	30	45	72	42 x 47 x 61
5WCZ5048A1000A	46000	15.2	11.5	8.1	613	31	45	72	42 x 47 x 61
5WCZ5060A1000A	58000	15.2	11.5	7.2	627	40	60	74	42 x 47 x 61

## CHOICE



**5WCC4**  
**13.6 SEER2**  
**3-Phase**

**Table PK-5-C — CHOICE - 5WCC4 14 3 Phase Single Stage Heat Pump Packaged - R-454B**

Model Number	Cooling Capacity (BTUH)	SEER2	EER2 High/Low	HSPF2	Shipping Weight	MCA	Max Fuse	Sound Rating	Uncrated Dimensions (in.) H x D x W
<b>5WCC4 – 208-230/3/60</b>									
5WCC4036A3000A	34400	13.6	11	6.7	443	20	30	70.9	38 x 42 x 49
5WCC4048A3000A	46000	13.4	11	6.7	529	24	35	72	40 x 45 x 59
5WCC4060A3000A	57000	13.6	11	6.7	590	29	45	80	42 x 45 x 59
<b>5WCC4 – 460/3/60</b>									
5WCC4036A4000A	34400	13.6	11	6.7	456	12	15	75.4	38 x 42 x 49
5WCC4048A4000A	46000	13.4	11	6.7	541	15	20	72.5	40 x 45 x 59
5WCC4060A4000A	57000	13.6	11	7	602	18	25	76.7	42 x 45 x 59



**5WCC4**  
**13.6 SEER2**  
**1-Phase**

**Table PK-5-D — CHOICE - 5WCC4 14 Single-Stage Heat Pump Packaged - R-454B**

Model Number	Cooling Capacity (BTUH)	SEER2	EER2 High/Low	HSPF2	Shipping Weight	MCA	Max Fuse	Sound Rating	Uncrated Dimensions (in.) H x D x W
<b>5WCC4 – 208-230/1/60</b>									
5WCC4024A1000A	23800	13.4	11	6.7	403	19	30	66.4	36 x 44 x 51
5WCC4030A1000A	29600	13.4	11	6.7	434	21	30	70	38 x 44 x 51
5WCC4036A1000A	35200	13.6	11	6.7	444	26	40	70.9	38 x 44 x 51
5WCC4042A1000A	43000	13.6	11	6.7	554	31	45	71.5	40 x 47 x 61
5WCC4048A1000A	48000	13.4	11	6.7	535	36	50	72.5	40 x 47 x 61
5WCC4060A1000A	57000	13.6	11	7	596	41	60	80	42 x 47 x 61

For dimensional/outline drawings, please refer to Product Data.

For information on Roof Curbs, please refer to the Accessories/Information Tab.



# Packaged Heat Pump Convertible 2-5 Tons

**Table PK-6-A — Features**

	PRIORITY 5WCC25 3-Phase 3-5	PRIORITY 5WCC25 1-Phase 2-5	CHOICE 5WCC4 3-Phase 3-5	CHOICE 5WCC4 1-Phase 2-5
• SEER2 up to .....	15.2	15.2	13.6	13.6
• HSPF2 up to .....	8.1	8.1	7.0	7.0
• Exclusive Climatuff™ high efficiency compressor with internal overload protection .....	✓	✓	✓	✓
• Factory supplied charge.....	R-454B	R-454B	R-454B	R-454B
• Composite Vortica® indoor blower .....	✓	✓	✓	✓
• Direct drive, multi-speed ECM blower motor (high efficiency)* .....	—	—	✓	✓
• Direct drive, variable speed ECM indoor blower motor** .....	✓	✓	—	—
• All aluminum Spine Fin™ outdoor coil .....	✓	✓	✓	✓
• Swept-blade outdoor fan for quiet operation .....	✓	✓	✓	✓
• Architecturally integrated louvers.....	—	✓	—	✓
• All Steel Louvers .....	✓	—	✓	—
• Polyslate gray cabinet.....	✓	✓	✓	✓
• Single stage heating & cooling.....	—	—	✓	✓
• Two stage heating & cooling.....	✓	✓	—	—
• High pressure cutout.....	✓	✓	✓	✓
• Low pressure cutout.....	✓	✓	✓	✓
• High Temperature Cutout .....	✓	✓	✓	✓
• Liquid line drier - factory installed.....	✓	✓	✓	✓
• Non-bleed expansion valves on indoor and outdoor coils.....	✓	✓	✓	✓
• Pressure taps, including liquid line taps, easily accessed and protected inside compressor compartment .....	✓	✓	✓	✓
• Right side electrical service access for high and low voltage connections.....	✓	✓	✓	✓
• Rugged steel basepan features deep drawn duct connections .....	✓	✓	✓	✓
• Steeply sloped composite drainpan.....	✓	✓	✓	✓
• Ships in horizontal configuration and converts quickly for downflow .....	✓	✓	✓	✓
• Copper tube, aluminum fin indoor coil .....	✓	✓	✓	✓
• All models are certified to UL 60335-2-40 .....	✓	✓	✓	✓
• Factory installed Refrigerant Detection Sensor .....	✓	✓	✓	✓
• 10-year compressor, 10-year outdoor coil, & 10-year all other functional parts limited warranty with registration† (Residential use) .....	—	—	✓	✓
• 12-year compressor, 10-year outdoor coil, & 10-year all other functional parts limited warranty with registration† (Residential use) .....	✓	✓	—	—
• Extended Warranties Available .....	✓	✓	✓	✓

\* Constant torque ECM (electronically commutated motor).

\*\* Constant airflow ECM (electronically commutated motor).

† Registered Limited Warranty terms are available when you register within 60 days of installation. You can register online at Trane.com or by phone at 855-260-2975, otherwise Trane's Base Limited Warranty terms will apply. Base Limited Warranty information on specific products can be found on Comfortsite.com. Product Registration and Registration Transfer exclusions vary in the US from state to state and in Canada from province to province. To determine if there are specific exclusions for your state or province check your local laws.

For Energy Star Information, please refer to: <https://www.ahridirectory.org/>

**For dimensional/outline drawings, please refer to Product Data.  
For information on Roof Curbs, please refer to the Accessories/Information Tab.**



# Packaged Heat Pump Convertible 2-5 Tons

**Table PK-7-A — Accessories**

Model Number	Description	Shipping Weight	PRIORITY 5WCZ5 3-Phase 3-5	PRIORITY 5WCZ5 1-Phase 2-5	CHOICE 5WCC4 3-Phase 3-5	CHOICE 5WCC4 1-Phase 2-5
BAYACCDOR1A	Hinged Filter Access Door		3	2-3	3	2-3
BAYACCDOR2A	Hinged Filter Access Door		4-5	3½-5	4-5	3½-5
BAYACCEADP1B	Adaptor Kit for Installation of CleanEffects™ and 5" Media Filter (Horizontal)	10	3	2-3	3	2-3
BAYACCEADP2B	Adaptor Kit for Installation of CleanEffects™ and 5" Media Filter (Horizontal)	12	4-5	3½-5	4-5	3½-5
BAYADAP050A	Adapter Curb (Cabinet A/B)		3	2-3	3	2-3
BAYADAP051A	Adapter Curb (Cabinet C)		3	2-3	3	2-3
BAYADAP052A	Adapter Curb (Cabinet A/B)		4-5	3½-5	4-5	3½-5
BAYADAP053A	Adapter Curb (Cabinet C)		4-5	3½-5	4-5	3½-5
BAYADAP054A	Adapter Curb (Cabinet D)		4-5	3½-5	4-5	3½-5
BAYASCT001	Anti-Short Cycle Timer		✓	✓	✓	✓
BAYCCHT102A	Crankcase Heater (230V) (Scroll)		See Below	3½-5	See Below	3½-5
BAYCCHT103A	Crankcase Heater (230V) (Scroll)		See Below	2-3	See Below	2-3
BAYCCHT404B	Crankcase Heater (460V) (Scroll)		See Below	—	See Below	—
BAYCCHT405A	Crankcase Heater (460V) (Scroll)		See Below	—	See Below	—
BAYCOVR112A	12" Duct Shroud (Covers Horizontal Ducts)		✓	✓	✓	✓
BAYCOVR118A	18" Duct Shroud (Covers Horizontal Ducts)		✓	✓	✓	✓
BAYCURB050A	Flat Roof Full Perimeter Curb (Insulated)	74	3	2-3	3	2-3
BAYCURB051A	Flat Roof Full Perimeter Curb (Insulated)	74	4-5	3½-5	4-5	3½-5
BAYDMPR101A	2-Position Motorized Damper		3	2-3	3	2-3
BAYDMPR102A	2-Position Motorized Damper		4-5	3½-5	4-5	3½-5
BAYECON105A	Economizer with Barometric Relief (Downflow)		—	—	3	2-3
BAYECON106A	Economizer with Barometric Relief (Downflow)		—	—	4-5	3½-5
BAYECON107A	Economizer with Barometric Relief (Downflow)	50	3	2-3	—	—
BAYECON108A	Economizer with Barometric Relief (Downflow)	65	4-5	3½-5	—	—
BAYECON205A	Economizer (Horizontal)		—	—	3	2-3
BAYECON206A	Economizer (Horizontal)		—	—	4-5	3½-5
BAYECON207A	Economizer (Horizontal)		3	2-3	—	—
BAYECON208A	Economizer (Horizontal)		4-5	3.5-5	—	—
BAYENTH001A	Enthalpy Control Kit	2	✓	✓	✓	✓
BAYEXMK001A	Extreme Conditions Mounting Kit (Used on BAYCURB & BAYADAP)		✓	✓	✓	✓
BAYEXMK002B	Extreme Conditions Mounting Kit (Used on BAYUTIL)		✓	✓	✓	✓
BAYEXMK003A	Extreme Conditions Mounting Kit (Used on Slab Mounts)		✓	✓	✓	✓
BAYFLTR101C	1-2" Filter Frame—Requires one 18x25 filter (not included)	6	3	2-3	3	2-3
BAYFLTR201C	1-2" Filter Frame—Requires one 18x20, and one 18x18 filter (not included)	6	4-5	3½-5	4-5	3½-5
BAYLIFT002B	Lifting Lug Kit		5	✓	✓	✓
BAYLOAM105B	Low Ambient Control Kit		5	✓	✓	✓
BAYLOAM011A	Evaporator Defrost Control Kit		5	—	—	✓
BAYOSAC001C	Outside Air Control for V.S. Economizer		✓	✓	—	—
BAYOSAH001A	Manual Fresh Air Damper	6	3	2-3	3	2-3
BAYOSAH002A	Manual Fresh Air Damper	8	4-5	3½-5	4-5	3½-5
BAYQSTK300B	Start Kit (not factory installed)		—	✓	—	✓
BAYRLAY004B	Economizer Relay	1	✓	—	✓	✓
BAYRLAY006B	Economizer Relay	1	✓	✓	—	—
BAYUTIL101B	Roof Curb Extension Kit		3	2-3	3	2-3
BAYUTIL102B	Roof Curb Extension Kit		4-5	3½-5	4-5	3½-5

- ① Relay required with economizer on all heat pump applications.
- ② Must use filter frame when economizer/fresh air kit is used.
- ③ Dry bulb control standard with economizer.
- ④ 2-Stage cooling control required when using economizer.
- ⑤ BAYOASH001/002 is not compatible with BAYACCDOR1A or BAYACCDOR2A
- ⑥ BAYCOVR112,118A will not cover BAYSQRD002B applications.
- ⑦ Does not contain barometric relief.
- ⑧ Max fresh air - 25%.
- ⑨ For non-continuous fan gas-heating applications, the damper opens only when the OD ambient is above 50° F.
- ⑩ BAYACCDOR1A requires BAYFLTR101C & BAYACCDOR2A requires BAYFLTR201C. They are not backward compatible to BAYFLTR101/201A/B.
- ⑪ It is the designer/engineer/installer's responsibility to review product specifications and technical literature to insure optimal performance and compliance to codes.
- ⑫ Temperature of mixed air entering the heat exchanger is monitored and fresh air intake may be reduced under certain conditions.
- ⑬ When using a BAYACCDOR2A, two 18x20 filters are required.
- ⑭ Do not use with electronic thermostats.

	5WCZ5 3 Ph 460V 3-5T	5WCZ5 3 Ph 208-230V 3-5T	5WCC4 3 Ph 460V 3-5T	5WCC4 3 Ph 208-230V 3-5T
BAYCCHT102A	Crankcase Heater (230V) (Scroll)	4-5		4-5
BAYCCHT103A	Crankcase Heater (230V) (Scroll)		3	3
BAYCCHT404B	Crankcase Heater (460V) (Scroll)	4-5		4-5
BAYCCHT405A	Crankcase Heater (460V) (Scroll)	3		3

EXISTING CURB	NEW UNIT 5WC**A	USE BAYADAP0**A
BAYCURB030,38A	024-036	50
BAYCURB030,38A	042-060	52
BAYCURB033A	024-036	51
BAYCURB033A	042-060	53
BAYCURB034A	042-060	54

**For dimensional/outline drawings, please refer to Product Data.  
For information on Roof Curbs, please refer to the Accessories/Information Tab.**

For complete equipment / combination selections, installation instructions and warranty information, please refer to Product Data/Ratings and/or Installers Guides and Limited Warranty Handbooks.



It's Hard To Stop A Trane.®

# Packaged Gas/Electric Convertible 2-5 Tons

## PRIORITY



**5YCZ5  
15 SEER2  
3-Phase**

**Table PK-8-A — PRIORITY - 5YCZ5 3 Phase Two-Stage Gas Furnace/Air Conditioner Packaged - R-454B**

Model Number	Cooling Capacity (BTUH)	Heating Capacity Output (1 Stg./2 Stg.)	SEER2	EER2 High/Low	AFUE (%)	Shipping Weight	MCA	Max Fuse	Sound Rating	Uncrated Dimensions (in.) H x D x W
<b>5YCZ5 – 208/230/3/60</b>										
5YCZ5036A3070A	35600	70,000	15.2	11.5	81%	489	17	25	70.0	38 x 42 x 49
5YCZ5036A3090A	35600	90,000	15.2	11.5	81%	494	17	25	70.0	38 x 42 x 49
5YCZ5048A3090A	45000	90,000	15.2	11.5	81%	662	23	30	71.0	42 x 45 x 59
5YCZ5048A3115A	45000	115,000	15.2	11.5	81%	668	23	30	71.0	42 x 45 x 59
5YCZ5060A3115A	58000	115,000	15.2	11.5	81%	670	26	35	73.0	42 x 45 x 59
<b>5YCZ5 – 460/3/60</b>										
5YCZ5036A4070A	35600	70,000	15.2	11.5	81%	501	12	15	71	38 x 42 x 49
5YCZ5036A4090A	35600	90,000	15.2	11.5	81%	506	12	15	71	38 x 42 x 49
5YCZ5048A4090A	45000	90,000	15.2	11.5	81%	683	14	20	73	42 x 45 x 59
5YCZ5048A4115A	45000	115,000	15.2	11.5	81%	689	14	20	73	42 x 45 x 59
5YCZ5060A4115A	58000	115,000	15.2	11.5	81%	697	17	20	77.3	42 x 45 x 59



**5YCZ5  
15 SEER2  
1-Phase**

**Table PK-8-B — PRIORITY - 5YCZ5 Two-Stage Gas Furnace/Air Conditioner Packaged R-454B**

Model Number	Cooling Capacity (BTUH)	Heating Capacity Output (1 Stg./2 Stg.)	SEER2	EER2 High/Low	AFUE (%)	Shipping Weight	MCA	Max Fuse	Sound Rating	Uncrated Dimensions (in.) H x D x W
<b>5YCZ5 – 208/230/1/60</b>										
5YCZ5024A1060A	24000	60,000	16.0	11.5	81%	444	18	25	65.4	36 x 44 x 51
5YCZ5030A1070A	31200	70,000	15.2	11.5	81%	493	23	35	69.5	38 x 44 x 51
5YCZ5036A1070A	35800	70,000	15.2	11.5	81%	492	23	35	70.0	38 x 44 x 51
5YCZ5036A1090A	35800	90,000	15.2	11.5	81%	497	23	35	70.0	38 x 44 x 51
5YCZ5042A1090A	43000	90,000	15.2	11.5	81%	639	30	45	71.0	42 x 47 x 61
5YCZ5048A1090A	48000	90,000	16.0	11.5	81%	666	30	45	71.0	42 x 47 x 61
5YCZ5048A1115A	48000	115,000	16.0	11.5	81%	670	31	45	71.0	42 x 47 x 61
5YCZ5060A1115A	60000	115,000	15.2	11.5	81%	674	40	60	73.0	42 x 47 x 61

**For dimensional/outline drawings, please refer to Product Data.  
For information on Roof Curbs, please refer to the Accessories/Information Tab.**

# Packaged Gas/Electric Convertible 2-5 Tons

## CHOICE



**5YCC4  
14 SEER2  
3-Phase**

**Table PK-9-A — CHOICE - 5YCC4 3 Phase Single-Stage Gas Furnace/Air Conditioner Packaged - R-454B**

Model Number	Cooling Capacity (BTUH)	Heating Capacity Output (1 Stg./2 Stg.)	SEER2	EER2 High/Low	AFUE (%)	Shipping Weight	MCA	Max Fuse	Sound Rating	Uncrated Dimensions (in.) H x D x W
<b>5YCC4 – 208/230/3/60</b>										
5YCC4036A3070A	36000	70,000	13.8	11	81%	442	22	30	69.0	38 x 42 x 49
5YCC4036A3090A	36000	90,000	13.8	11	81%	457	22	30	71.4	38 x 42 x 49
5YCC4048A3070A	47500	70,000	13.4	11	81%	553	24	35	73.0	40 x 45 x 59
5YCC4048A3090A	47500	90,000	13.4	11	81%	558	24	35	73.0	40 x 45 x 59
5YCC4060A3115A	58000	115,000	13.4	11	81%	583	29	45	76.0	40 x 45 x 59
<b>5YCC4 – 460/3/60</b>										
5YCC4036A4070A	36000	70,000	13.8	11	81%	455	13	15	71.4	38 x 42 x 49
5YCC4036A4090A	36000	90,000	13.8	11	81%	470	13	15	71.4	38 x 42 x 49
5YCC4048A4070A	47500	70,000	13.4	11	81%	565	14	15	75.3	40 x 45 x 59
5YCC4048A4090A	47500	90,000	13.4	11	81%	570	14	15	75.3	40 x 45 x 59
5YCC4060A4115A	58000	115,000	13.4	11	81%	604	16	20	75.3	40 x 45 x 59



**5YCC4  
14 SEER2  
1-Phase**

**Table PK-9-B — CHOICE - 5YCC4 Single-Stage Gas Furnace/Air Conditioner Packaged R-454B**

Model Number	Cooling Capacity (BTUH)	Heating Capacity Output (1 Stg./2 Stg.)	SEER2	EER2 High/Low	AFUE (%)	Shipping Weight	MCA	Max Fuse	Sound Rating	Uncrated Dimensions (in.) H x D x W
<b>5YCC4 – 208/230/1/60</b>										
5YCC4024A1060A	24000	70,000	14.3	11	81%	436	16	25	66.6	36 x 44 x 51
5YCC4030A1070A	28400	70,000	13.8	11	81%	455	21	30	70.0	38 x 44 x 51
5YCC4036A1070A	36000	70,000	13.8	11	81%	443	28	40	71.4	38 x 44 x 51
5YCC4036A1090A	36000	90,000	13.8	11	81%	458	28	40	71.4	38 x 44 x 51
5YCC4042A1060A	40000	60,000	13.8	11	81%	558	26	40	74.6	36 x 47 x 61
5YCC4042A1090A	40000	90,000	13.8	11	81%	564	26	40	74.6	36 x 47 x 61
5YCC4048A1070A	47500	70,000	13.4	11	81%	559	36	50	72.5	40 x 47 x 61
5YCC4048A1090A	47500	90,000	13.4	11	81%	564	36	50	72.5	40 x 47 x 61
5YCC4060A1090A	58000	90,000	13.4	11	81%	583	41	60	76.0	40 x 47 x 61
5YCC4060A1115A	58000	115,000	13.4	11	81%	589	41	60	76.0	40 x 47 x 61

**For dimensional/outline drawings, please refer to Product Data.  
For information on Roof Curbs, please refer to the Accessories/Information Tab.**



# Packaged Gas/Electric Convertible 2-5 Tons

**Table PK-10-A – Features**

	PRIORITY 5YCZ5 3ph 3-5	PRIORITY 5YCZ5 1ph 2-5	CHOICE 5YCC4 3ph 3-5	CHOICE 5YCC4 1ph 2-5
• SEER2 up to .....	15.2	15.2	14.0	14.0
• Exclusive Climatuff™ high efficiency compressor with internal overload protection.....	✓	✓	✓	✓
• Factory supplied charge.....	R-454B	R-454B	R-454B	R-454B
• Composite Vortica® indoor blower.....	✓	✓	✓	✓
• Direct drive, variable speed ECM blower motor**.....	✓	✓	✓	✓
• All aluminum Spine Fin™ outdoor coil .....	✓	✓	✓	✓
• Swept-blade outdoor fan for quiet operation .....	✓	✓	✓	✓
• Architecturally integrated louvers.....	–	✓	–	✓
• All Steel Louvers.....	✓	–	✓	–
• Polyslate gray cabinet.....	✓	✓	✓	✓
• Stainless steel heat exchanger and burners .....	✓	✓	✓	✓
• Single stage cool.....	–	–	✓	✓
• Single stage gas .....	–	–	✓	✓
• 2-stage cooling.....	✓	✓	–	–
• 2-stage gas .....	✓	✓	–	–
• High pressure cutout.....	✓	✓	✓	✓
• Low pressure cutout .....	✓	✓	✓	✓
• High Temperature Cutout .....	✓	✓	✓	✓
• Liquid line drier - factory installed.....	✓	✓	✓	✓
• Non-bleed expansion valves on indoor coil .....	✓	✓	✓	✓
• Pressure taps, including liquid line taps, easily accessed and protected inside compressor compartment.....	✓	✓	✓	✓
• Right side electrical service access for high and low voltage connections.....	✓	✓	✓	✓
• Rugged steel basepan features deep drawn duct connections .....	✓	✓	✓	✓
• Steeply sloped composite drainpan .....	✓	✓	✓	✓
• Ships in horizontal configuration and converts quickly for downflow .....	✓	✓	✓	✓
• Copper tube, aluminum fin indoor coil.....	✓	✓	5	5
• All aluminum indoor coil.....	–	–	2-4	2-4
• All models are certified to UL 60335-2-40 and ANSI Z21.47 / CSA 2.3 .....	✓	✓	✓	✓
• Factory installed Refrigerant Detection Sensor.....	✓	✓	✓	✓
• 20-year heat exchanger, 10-year compressor, 10-year coils, & 10-year all other functional parts limited warranty with registration† (Residential use) .....	–	–	✓	✓
• 20-year heat exchanger, 12-year compressor, 10-year coils, & 10-year all other functional parts limited warranty with registration† (Residential use) .....	✓	✓	–	–
• Extended warranties available.....	✓	✓	✓	✓

\*\*Constant airflow ECM (electronically commutated motor).

† Registered Limited Warranty terms are available when you register within 60 days of installation. You can register online at Trane.com or by phone at 855-260-2975, otherwise Trane's Base Limited Warranty terms will apply. Base Limited Warranty information on specific products can be found on Comfortsite.com. Product Registration and Registration Transfer exclusions vary in the US from state to state and in Canada from province to province. To determine if there are specific exclusions for your state or province check your local laws.

**For dimensional/outline drawings, please refer to Product Data.  
For information on Roof Curbs, please refer to the Accessories/Information Tab.**

**Table PK-11-A – Accessories**

Model Number	Description	Shipping Weight	PRIORITY	PRIORITY	CHOICE	CHOICE
			5YCZ5 3ph 3-5	5YCZ5 1ph 2-5	5YCC4 3ph 3-5	5YCC4 1ph 2-5
BAYACCDOR1A	Hinged Filter Access Door		3	2-3	3	2-3
BAYACCDOR2A	Hinged Filter Access Door		4-5	3½-5	4-5	3½-5
BAYACCEADP1B	Adaptor Kit for Installation of CleanEffects™ and 5" Media Filter (Horizontal)	10	3	2-3	3	2-3
BAYACCEADP2B	Adaptor Kit for Installation of CleanEffects™ and 5" Media Filter (Horizontal)	12	4-5	3½-5	4-5	3½-5
BAYADAP050A	Adapter Curb (Cabinet A/B)		3	2-3	3	2-3
BAYADAP051A	Adapter Curb (Cabinet C)		3	2-3	3	2-3
BAYADAP052A	Adapter Curb (Cabinet A/B)		4-5	3½-5	4-5	3½-5
BAYADAP053A	Adapter Curb (Cabinet C)		4-5	3½-5	4-5	3½-5
BAYADAP054A	Adapter Curb (Cabinet D)		4-5	3½-5	4-5	3½-5
BAYASCT001	Anti-Short Cycle Timer		✓	✓	✓	✓
BAYCCHT102A	Crankcase Heater (230V) (Scroll)		See Below	3½-5	See Below	3½-5
BAYCCHT103A	Crankcase Heater (230V) (Scroll)		See Below	2-3	See Below	2-3
BAYCCHT404B	Crankcase Heater (460V) (Scroll)		See Below	—	See Below	—
BAYCCHT405A	Crankcase Heater (460V) (Scroll)		See Below	—	See Below	—
BAYCOVR112A	12" Duct Shroud (Covers Horizontal Ducts)		✓	✓	✓	✓
BAYCOVR118A	18" Duct Shroud (Covers Horizontal Ducts)		✓	✓	✓	✓
BAYCURB050A	Flat Roof Full Perimeter Curb (Insulated)		3	2-3	3	2-3
BAYCURB051A	Flat Roof Full Perimeter Curb (Insulated)		4-5	3½-5	4-5	3½-5
BAYDMPR101A	2-Position Motorized Damper	74	3	2-3	3	2-3
BAYDMPR102A	2-Position Motorized Damper	74	4-5	3½-5	4-5	3½-5
BAYECON105A	Economizer with Barometric Relief (Downflow)		—	—	3	2-3
BAYECON106A	Economizer with Barometric Relief (Downflow)		—	—	4-5	3½-5
BAYECON107A	Economizer with Barometric Relief (Downflow)		3	2-3	—	—
BAYECON108A	Economizer with Barometric Relief (Downflow)		4-5	3½-5	—	—
BAYECON205A	Economizer (Horizontal)		—	—	3	2-3
BAYECON206A	Economizer (Horizontal)		—	—	4-5	3½-5
BAYECON207A	Economizer (Horizontal)	50	3	2-3	—	—
BAYECON208A	Economizer (Horizontal)	65	4-5	3½-5	—	—
BAYENTH001A	Enthalpy Control Kit	2	✓	✓	✓	✓
BAYEXMK001A	Extreme Conditions Mounting Kit (Used on BAYCURB & BAYADAP)		✓	✓	✓	✓
BAYEXMK002B	Extreme Conditions Mounting Kit (Used on BAYUTIL)		✓	✓	✓	✓
BAYEXMK003A	Extreme Conditions Mounting Kit (Used on Slab Mounts)		✓	✓	✓	✓
BAYFLTR101C	1-2" Filter Frame-Requires one 18x25 filter (not included)	6	3	2-3	3	2-3
BAYFLTR201C	1-2" Filter Frame-Requires one 18x20, and one 18x18 filter (not included)	6	4-5	3½-5	4-5	3½-5
BAYLIFT002B	Lifting Lug Kit	5	✓	✓	✓	✓
BAYLOAM105B	Low Ambient Control Kit	5	✓	✓	✓	✓
BAYLOAM011A	Evaporator Defrost Control Kit	5	—	✓	—	✓
BAYLPKT100C	LP Conversion Kit		40K, 120K	40K, 120K	40K, 120K	40K, 120K
BAYLPKT101C	LP Conversion Kit		64K, 70K, 96K	64K, 70K, 96K	64K, 70K, 96K	64K, 70K, 96K
BAYLPKT102C	LP Conversion Kit		75K	75K	75K	75K
BAYLPKT103A	LP Conversion Kit		60K, 90K	60K, 90K	60K, 90K	60K, 90K
BAYLPKT104A	LP Conversion Kit		115K	115K	115K	115K
BAYOSAC001C	Outside Air Control for V.S. Economizer		✓	✓	—	—
BAYOSAH001A	Manual Fresh Air Damper	6	3	2-3	3	2-3
BAYOSAH002A	Manual Fresh Air Damper	8	4-5	3½-5	4-5	3½-5
BAYQSTK301C	Start Kit (not factory installed)		—	✓	—	✓
BAYUTIL101B	Roof Curb Extension Kit		3	2-3	3	2-3
BAYUTIL102B	Roof Curb Extension Kit		4-5	3½-5	4-5	3½-5

- ① Relay required with economizer on all heat pump applications.
- ② Must use filter frame when economizer/fresh air kit is used.
- ③ Dry bulb control standard with economizer.
- ④ 2-Stage cooling control required when using economizer.
- ⑤ BAYOASH001/002 is not compatible with BAYACCDOR1A or BAYACCDOR2A
- ⑥ BAYCOVR112,118A will not cover BAYSQRD002B applications.
- ⑦ Does not contain barometric relief.
- ⑧ Max fresh air - 25%.
- ⑨ For non-continuous fan gas-heating applications, the damper opens only when the OD ambient is above 50° F.
- ⑩ BAYACCDOR1A requires BAYFLTR101C & BAYACCDOR2A requires BAYFLTR201C. They are not backward compatible to BAYFLTR101/201A/B.
- ⑪ It is the designer/engineer/installer's responsibility to review product specifications and technical literature to insure optimal performance and compliance to codes.
- ⑫ Temperature of mixed air entering the heat exchanger is monitored and fresh air intake may be reduced under certain conditions.
- ⑬ When using a BAYACCDOR2A, two 18x20 filters are required
- ⑭ Do not use with electronic thermostats

		5YCZ5 3 Ph 460V 3-5T	5YCZ5 3 Ph 208-230V 3-5T	5YCC4 3 Ph 460V 3-5T	5YCC4 3 Ph 208-230V 3-5T
BAYCCHT102A	Crankcase Heater (230V) (Scroll)		4-5		4-5
BAYCCHT103A	Crankcase Heater (230V) (Scroll)		3		3
BAYCCHT404B	Crankcase Heater (460V) (Scroll)	4-5		4-5	
BAYCCHT405A	Crankcase Heater (460V) (Scroll)	3		3	

EXISTING CURB	NEW UNIT 5YC**A	USE BAYADAP**A
BAYCURB030,38A	024-036	50
BAYCURB030,38A	042-060	52
BAYCURB033A	024-036	51
BAYCURB033A	042-060	53
BAYCURB034A	042-060	54

**For dimensional/outline drawings, please refer to Product Data.**

**For information on Roof Curbs, please refer to the Accessories/Information Tab.**

For complete equipment / combination selections, installation instructions and warranty information, please refer to Product Data/Ratings and/or Installers Guides and Limited Warranty Handbooks.



It's Hard To Stop A Trane.®

## Single Power Entry Kits Packaged Convertible 2-5 Tons

	SINGLE POWER ENTRY KIT	HEATER	5TCC4 Tonnage	5WCC4 Tonnage	5WCZ5 Tonnage
1-Phase (208-230v)	BAYSPEK060J	BAYHTRG105A	2-5	2-3.5	2-4
		BAYHTRG108A	2-5		2
		BAYHTRG110A	2-4		
	BAYSPEK062J	BAYHTRG105A		4-5	5
		BAYHTRG108A		2-5	2.5-5
		BAYHTRG110A	5	2-5	2-5
	BAYSPEK063J	BAYHTRG115A	2.5-5	2.5-5	2.5-5
		BAYHTRG120A	4-5	4-5	3.5-5

Note: Recently launched "H" models compatible with i2 models meeting 2023 IRA/CEE Tier 1 Ratings Requirements

	SINGLE POWER ENTRY KIT	HEATER	5WCC Tonnage	5WCZ Tonnage
3-Phase (230v)	BAYSPEK064J	BAYHTRG315A	3-5	
		BAYHTRG320A	4-5	
		BAYHTRV315H		3-5
		BAYHTRV320H		4-5
	BAYSPEK061J	BAYHTRG305A	3-5	
		BAYHTRG308A	3-5	
		BAYHTRG310A	3-4	
		BAYHTRV305H		3-5
		BAYHTRV308H		3-5
		BAYHTRV310H		3-5
BAYSPEK065J	BAYHTRG310A	5		
3-Phase (460v)	BAYSPEK061J	BAYHTRG405A	3-5	
		BAYHTRG408A	3-5	
		BAYHTRG410A	3-5	
		BAYHTRG415A	3-5	
		BAYHTRG420A	4-5	
		BAYHTRV405H		3-5
		BAYHTRV408H		3-5
		BAYHTRV410H		3-5
		BAYHTRV415H		3-5
		BAYHTRV420H		4-5

For dimensional/outline drawings, please refer to Product Data.  
For information on Roof Curbs, please refer to the Accessories/Information Tab.



# Supplemental Heater Table Packaged Convertible 2-5 Tons

1-PHASE (208-230v) Model Number	BAYHTRG105A (3.76/5.0 KW)	BAYHTR1G08A (6.0/8.0 KW)	BAYHTRG110A (7.50/10.0 KW)	BAYHTRG115A (11.27/15.0 KW)	BAYHTRG120A (15.0/20.0 KW)	BAYHTRG125A (18.78/25.0 KW)
5TCC4024A1	Y	Y	Y			
5TCC4030A1	Y	Y	Y	Y		
5TCC4036A1	Y	Y	Y	Y		
5TCC4042A1	Y	Y	Y	Y		
5TCC4048A1	Y	Y	Y	Y	Y	
5TCC4060A1	Y	Y	Y	Y	Y	Y
5WCC4024A1	Y	Y	Y			
5WCC4030A1	Y	Y	Y	Y		
5WCC4036A1	Y	Y	Y	Y		
5WCC4042A1	Y	Y	Y	Y		
5WCC4048A1	Y	Y	Y	Y	Y	
5WCC4060A1	Y	Y	Y	Y	Y	Y
5WCZ5024A1	Y	Y	Y			
5WCZ5030A1	Y	Y	Y	Y		
5WCZ5036A1	Y	Y	Y	Y		
5WCZ5042A1	Y	Y	Y	Y	Y	
5WCZ5048A1	Y	Y	Y	Y	Y	Y
5WCZ5060A1	Y	Y	Y	Y	Y	Y
A5PH3024A1	Y	Y	Y			
A5PH3030A1	Y	Y	Y	Y		
A5PH3036A1	Y	Y	Y	Y		
A5PH3042A1	Y	Y	Y	Y		
A5PH3048A1	Y	Y	Y	Y	Y	
A5PH3060A1	Y	Y	Y	Y	Y	Y
A5PA3024A1	Y	Y	Y			
A5PA3030A1	Y	Y	Y	Y		
A5PA3036A1	Y	Y	Y	Y		
A5PA3042A1	Y	Y	Y	Y		
A5PA3048A1	Y	Y	Y	Y	Y	
A5PA3060A1	Y	Y	Y	Y	Y	Y

Note: Recently launched 4WCZ5024F1\* model meets 2023 IRA/CEE Tier 1 Ratings Requirements

3-Phase (208-230v) Model Number	BAYHTRG305A (3.76/5.0 KW)	BAYHTRG308A (6.0/8.0 KW)	BAYHTRG310A (7.50/10.0 KW)	BAYHTRG315A (11.27/15.0 KW)	BAYHTRG320A (15.0/20.0 KW)	BAYHTRG325A (18.78/25.0 KW)
5WCC4036A3000A	Y	Y	Y	Y		
5WCC4048A3000A	Y	Y	Y	Y	Y	
5WCC4060A3000A	Y	Y	Y	Y	Y	Y
	BAYHTRV305H (3.76/5.0 KW)	BAYHTRV308H (6.0/8.0 KW)	BAYHTRV310H (7.50/10.0 KW)	BAYHTRV315H (11.27/15.0 KW)	BAYHTRV320H (15.0/20.0 KW)	BAYHTRV325H (18.78/25.0 KW)
5WCZ5036A3000A	Y	Y	Y	Y		
5WCZ5048A3000A	Y	Y	Y	Y	Y	Y
5WCZ5060A3000A	Y	Y	Y	Y	Y	Y

Note: Recently launched 4WCZ50\*\*3 for five states that early-adopted ASHRAE 90.1; Available to entire Nation

3-Phase (460v) Model Number	BAYHTRG405A (5.0 KW)	BAYHTRG408A (8.0 KW)	BAYHTRG410A (10.0 KW)	BAYHTRG415A (15.0 KW)	BAYHTRG420A (20.0 KW)
5WCC4036A4000A	Y	Y	Y	Y	
5WCC4048A4000A	Y	Y	Y	Y	Y
5WCC4060A4000A	Y	Y	Y	Y	Y
	BAYHTRV405H (5.0 KW)	BAYHTRV408H (8.0 KW)	BAYHTRV410H (10.0 KW)	BAYHTRV415H (15.0 KW)	BAYHTRV420H (20.0 KW)
5WCZ5036A4000A	Y	Y	Y	Y	
5WCZ5048A4000A	Y	Y	Y	Y	Y
5WCZ5060A4000A	Y	Y	Y	Y	Y

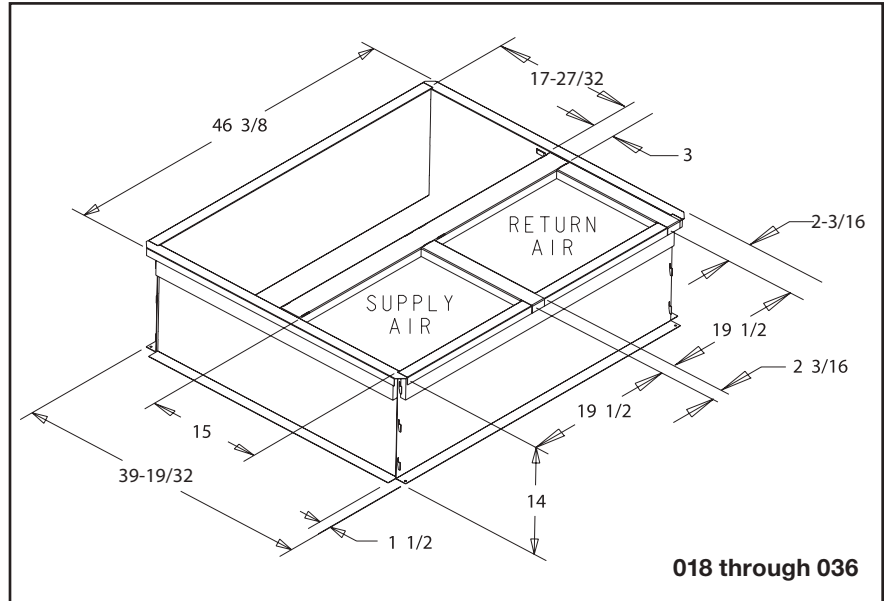
Note: Recently launched 4WCZ50\*\*4 for five states that early-adopted ASHRAE 90.1; Available to entire Nation

**For dimensional/outline drawings, please refer to Product Data.  
For information on Roof Curbs, please refer to the Accessories/Information Tab.**

For complete equipment / combination selections, installation instructions and warranty information, please refer to Product Data/Ratings and/or Installers Guides and Limited Warranty Handbooks.

# Roof Curbs

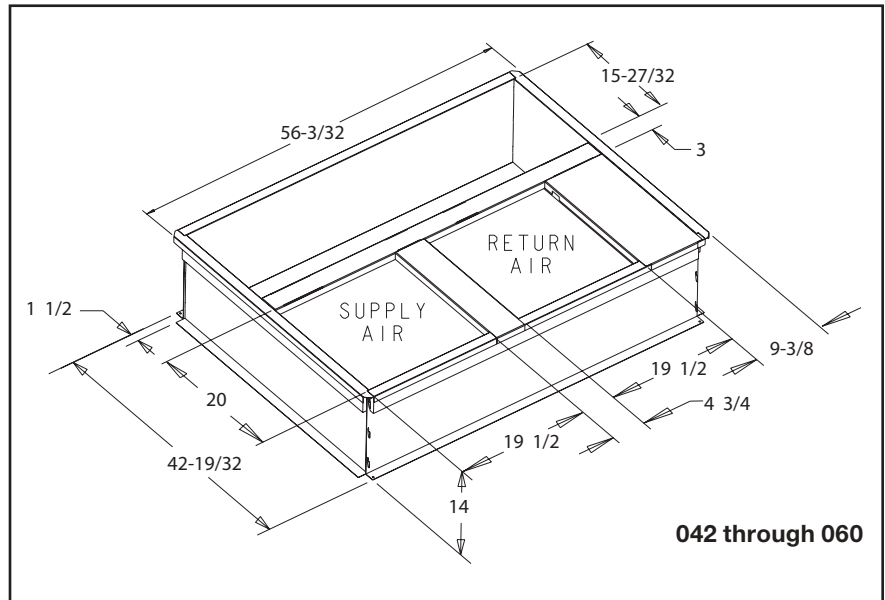
## BAYCURB050A FULL PERIMETER ROOF MOUNTING CURB OUTLINE



Model Number	Used With
BAYCURB050	*YC*, *WC*, *TC*, *DC**018-036
BAYCURB051	*YC*, *WC*, *DC*, *TC**042-060

Please refer to BAYCURB Installers Guide, for dimensional data.

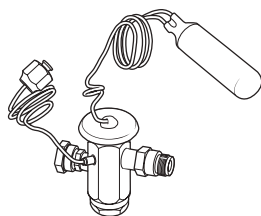
## BAYCURB051A FULL PERIMETER ROOF MOUNTING CURB OUTLINE



Note: BAYCURB can be used with either R-410A / R-454B IMPACK Packaged Models  
Please refer to BAYCURB Installers Guide, for dimensional data.



It's Hard To Stop A Trane.®



**Expansion Valve TXV  
Cooling/Heat Pump Kit**

**General Information**

This Thermostatic Expansion Valve Kit may be used on any indoor air handler or coil that is equipped with a current thermostatic expansion valve with an internal check valve and mechanical fittings. This kit can be used on split system heat pumps and air conditioning systems.

Thermostatic Expansion Valve Kits can be field installed to a variety of sizes and combinations of air handlers or coils and outdoor units to optimize performance.

This TXV kit will normally be used when a different refrigerant is going to be used in the air handler or coil than what is indicated on the unit name plate. The TXV type must always match the refrigerant type used in the outdoor unit.

**Kit Identification**

The first character in the kit model number indicates the type of refrigerant that the valve can be used with. Example a 2AYTXVH3D1830A is an R-22 valve.

The "3" in the eighth digit in the model number identifies the valve as a non-bleed TXV. When this TXV kit is installed with an outdoor unit that contains a reciprocating compressor, the outdoor unit must be equipped with a hard start kit if not factory installed. If the outdoor unit contains a scroll compressor, the installation of a hard start kit may be required.

**Inspection**

Check carefully for any shipping damage. Any such damage must be reported and claims made against the transportation company immediately. Any missing parts should be reported to your supplier at once and replaced with authorized parts only.

# Thermal Expansion Valves

**Table ACIN-2-A Cooling/Heat Pump Non-Bleed TXV Kits  
Dual Direction Flow-TXA/C-BC Coils**

R-410 Model Number	R-22 Model Numbers	Used With 13 SEER Coils
4AYTXVH3D1831A	2AYTXVH3C1818A	2/4TXC, TXA018
4AYTXVH3D1831A	2AYTXVH3C2425A	2/4TXC, TXA024,025
4AYTXVH3D1831A	2AYTXVH3C3031A	2/4TXC, TXA031
4AYTXVH3D3343A	—	4TXC, 4TXA-032
4AYTXVH3D3343A	2AYTXVH3C3337A	2/4TXC, TXA036,037
4AYTXVH3D3343A	2AYTXVH3C4243A	2/4TXC, TXA042,043
4AYTXVH3D4863A	—	4TXC, 4TXA-044
4AYTXVH3D4863A	2AYTXVH3C4850A	2/4TXC, TXA048,049,050
4AYTXVH3D4863A	2AYTXVH3C5463A	2/4TXC, TXA060,061,064

**Table ACIN-2-B Cooling/Heat Pump Non-Bleed TXV Kits  
Dual Direction Flow**

R-410 Model Number	R-22 Model Numbers	Used With Horizontal Flat Coils
4AYTXVH3D1831A	2AYTXVH3C1818A	2/4TXF-018
4AYTXVH3D3343A	2AYTXVH3C3337A	2/4TXF-033
4AYTXVH3D3343A	2AYTXVH3C4243A	2/4TXF-041
4AYTXVH3D4863A	2AYTXVH3C5463A	2/4TXF-054
4AYTXVH3D4863A	2AYTXVH3C5463A	2/4TXF-063

**Table ACIN-2-C Cooling/Heat Pump Non-Bleed TXV Kits  
Dual Direction Flow-TXA/C-AS Coils**

R-410 Model Number	R-22 Model Numbers	Used With Aluminum Coils
4AYTXVH3B2531A	2AYTXVH3B2531A	2/4TXA, TXC-025
4AYTXVH3B2531A	2AYTXVH3B2531A	2/4TXA, TXC-031
4AYTXVH3B3654A	2AYTXVH3B3637A	2/4TXA, TXC-036
4AYTXVH3B3654A	2AYTXVH3B3637A	2/4TXA, TXC-037
4AYTXVH3B3654A	2AYTXVH3B5454A	2/4TXA, TXC-054
4AYTXVH3B6165A	2AYTXVH3B6565A	2/4TXA, TXC-065

Accessories/Information



# Equipment Date Identification

## 1980 – 2029

The nine (1980 thru 2004) digit serial numbers and all current ten (2004 to present) digit serial numbers on all Trane central air conditioning and heating products are employed to identify the year and fiscal week of product manufacture.

Year of manufacture ..... First digit ..... **M124X04CF**  
 Fiscal week of manufacture ..... Second and third digit ..... **M124X04CF**  
 Day of week of manufacture ..... Fourth digit ..... **M124X04CF**  
 Consecutive order of production ..... Last Five digits ..... **M124X04CF**

**Exception – Accessories** are an exception to the ten digit serial number assignment and may have only three digits to indicate date code. Coils which have only three digits to indicate date code are an exception to the nine digit serial number assignment.

Year	Residential, ID & OD <sup>①</sup> Light Commercial Products & Compressors	Ducane Oil <sup>①</sup> Horizontal Gas Furnaces <sup>②</sup>	Year	Residential, ID & OD <sup>①</sup> Light Commercial Products & Compressors	Ducane Oil <sup>①</sup> Horizontal Gas Furnaces <sup>②</sup>	Year	Residential, ID & OD <sup>①</sup> Light Commercial Products & Compressors	Ducane Oil <sup>①</sup> Horizontal Gas Furnaces <sup>②</sup>
1980	O, A	L	1997	M	97	2014	14	–
1981	T	M	1998	N	98	2015	15	–
1982	U	N	1999	P	99	2016	16	–
1983	W	9	2000	R	–	2017	17	–
1984	X	Q	2001	Z	–	2018	18	–
1985	Y	85	2002	2	–	2019	19	–
1986	S	86	2003	3	–	2020	20	–
1987	B	87	2004	4	–	2021	21	–
1988	C	88	2005	5	–	2022	22	–
1989	D	89	2006	6	–	2023	23	–
1990	E	90	2007	7	–	2024	24	–
1991	F	91	2008	8	–	2025	25	–
1992	G	92	2009	9 or 09	–	2026	26	–
1993	H	93	2010	10	–	2027	27	–
1994	J	94	2011	11	–	2028	28	–
1995	K	95	2012	12	–	2029	29	–
1996	L	96	2013	13	–			

① Beginning with 1/1/96 (L01) Ducane oil furnace production uses same date code method as gas furnace. Prior to 1/1/96 Ducane serial number used last four digits = date code, example HA1234569540 1995, 40th week.

Example: 123456-8 5 4 0

Year of manufacture \_\_\_\_\_ Fiscal week of manufacture \_\_\_\_\_

② Dedicated horizontal gas furnaces, production ceased after introduction of convertible furnaces.

Digit	Description	Current Digit Value Options
1 <sup>ST</sup>	Second to Last integer of the current calendar year	1 through 9 and blank space, Blank Space used when 0 (zero)
2 <sup>ND</sup>	Last integer of the current calendar year	0 through 9
3 <sup>RD</sup>	Fiscal Week (Tens numeral)	0 through 5
4 <sup>TH</sup>	Fiscal Week (Units numeral)	0 through 9
5 <sup>TH</sup>	Day of the Week	1 through 7
6 <sup>TH</sup>	Time Stamp	A through Z and 0 through 9, excluding I, O, Q, V, Y, and Z
7 <sup>TH</sup>	Time Stamp	A through Z and 0 through 9, excluding I, O, Q, V, Y, and Z
8 <sup>TH</sup>	Time Stamp	A through Z and 0 through 9, excluding I, O, Q, V, Y, and Z
9 <sup>TH</sup>	Assembly Line Designator	A through Z and 0 through 9, excluding I, O, Q, V, Y, and Z
10 <sup>TH</sup>	Plant Code	A, D, F, G, H, V, Y, X

Plant Codes: (starting around 1995)
A = Monterrey
D = Springhill, LA (used to be the last character of a 10 digit serial on Ft. Smith products when they were sold commercially back in the late 1980's)
F = Tyler, TX
G = Trenton, NJ
H = Ft. Smith, AR
L = Lynn Haven, FL
V = Vidalia, GA
X = Sourced products

# R-454B Liquid Line and Vapor Line Pressure Drop

The following charts provide liquid and vapor line pressure drops. On the following page are cooling and heating capacity loss charts. With R-454B single speed AC condensers and heat pumps it is important to use the rated or alternate liquid and vapor pipe size. Another significant consideration with R-454B is not to exceed a distance which will create a 15% capacity loss. This important consideration to avoid capacity loss pertains to both air conditioner cooling capacity and heat pump's cooling and heating capacity loss.

## Liquid Line Pressure Drop

Tonnage	Diameter	Lineset Length										
		10	20	40	60	80	100	120	140	160	180	200
1.5	5/16	0.70	1.39	2.72	4.02	5.27	6.50	7.69	8.84	9.94	11.3	126
2.0	5/16	1.47	2.92	5.75	8.46	11.10	13.64	16.11	18.56	20.92	23.8	26.4
2.5	5/16	1.93	3.84	7.52	11.05	14.47	17.79	20.97	24.08	27.12	30.9	34.3
3.0	5/16	2.42	4.80	9.41	13.80	18.03	22.14	26.09	29.89	33.55	38.4	42.5
3.5	5/16	3.29	6.51	12.80	18.93	24.87	30.59	36.17	41.56	46.74	53.3	59.1
4.0	5/16	4.26	8.45	12.96	20.83	28.44	35.73	42.96	49.92	57.10	64.3	71.5
5.0	5/16	5.10	10.10	19.80	29.12	38.05	47.48	56.80	66.11	75.43	84.7	94.1
1.5	3/8	0.23	0.44	0.87	1.28	1.66	2.06	2.44	2.81	3.17	3.6	4.0
2.0	3/8	0.47	0.92	1.82	2.68	3.53	4.36	5.19	5.96	6.74	7.7	8.5
2.5	3/8	0.60	1.21	2.38	3.51	4.62	5.69	6.73	7.7S	8.77	10.0	11.0
3.0	3/8	0.76	1.50	2.93	4.31	5.64	6.91	8.15	9.35	10.50	120	13.3
3.5	3/8	1.02	2.03	3.99	5.89	7.74	9.54	11.27	12.97	14.61	16.6	18.5
4.0	3/8	1.18	2.35	4.60	6.79	8.92	10.97	12.95	14.88	16.75	19.10	21.2
5.0	3/8	1.57	3.12	6.13	9.02	11.79	14.49	17.07	19.59	22.01	25.1	27.9

## Vapor Line Pressure Drop

Tonnage	Diameter	Lineset Length										
		10	20	40	60	80	100	120	140	160	180	200
1.5	1/2	0.8	1.5	2.9	4.3	5.5	6.7	7.8	8.9	9.9	10.9	11.8
1.5	5/8	0.2	0.4	0.8	1.2	1.6	2.0	2.4	2.7	3.1	3.5	3.9
1.5	3/4	0.1	0.2	0.3	0.4	0.6	0.7	0.9	1.0	1.1	1.3	1.4
2.0	1/2	1.4	2.7	5.2	7.6	9.8	11.9	13.9	15.8	17.7	19.4	21.0
2.0	5/8	0.3	0.6	1.3	1.9	2.4	3.0	3.5	4.1	4.6	5.2	5.8
2.0	3/4	0.1	0.2	0.4	0.7	0.9	1.1	1.3	1.5	1.7	2.0	2.2
2.5	5/8	0.5	1.1	2.1	3.0	3.9	4.8	5.6	6.4	7.2	8.2	9.1
2.5	3/4	0.2	0.4	0.8	1.1	1.5	1.8	2.2	2.5	2.8	3.2	3.6
3.0	5/8	0.8	1.5	2.9	4.2	5.4	6.6	7.6	8.6	9.6	11.0	12.2
3.0	3/4	0.3	0.5	1.1	1.6	2.1	2.5	3.0	3.5	3.9	4.4	4.9
3.5	3/4	0.6	1.0	1.9	2.7	3.5	4.2	4.9	5.5	6.5	7.3	8.1
3.5	7/8	0.2	0.4	1.0	1.3	1.7	2.1	2.5	2.9	3.2	3.6	4.0
4.0	3/4	0.9	1.3	2.6	3.7	4.7	5.7	6.6	7.5	8.3	9.6	10.7
4.0	7/8	0.3	0.6	1.3	1.8	2.4	2.9	3.4	4.0	4.6	5.1	5.7
5.0	3/4	1.2	2.1	4.0	5.8	7.3	8.7	10.5	12.2	13.9	15.6	17.3
5.0	7/8	0.5	1.0	2.1	2.9	3.8	4.7	5.7	6.6	7.5	8.4	9.3

Note: Please refer to R-454B Application Guide - SSC-APG020A-EN.

# R-454B Cooling, Heating Capacity Loss

## Cooling Capacity Loss (BTU/hr')

Tonnage	Diameter	Lineset Length											Max Allowed
		10	20	40	60	80	100	120	140	160	180	200	
1.5	1/2	-155	-52	155	361	567	773	979	1186	1392	1598	1804	2700
1.5	5/8	-76	-25	76	178	280	382	484	586	688	790	892	2700
1.5	3/4	-06	-15	46	107	168	229	290	350	411	472	533	2700
2.0	1/2	-275	-92	275	642	1008	1375	1741	2108	2474	2841	3206	3600
2.0	5/8	-133	-44	133	311	488	666	843	1021	1198	1376	1553	3600
2.0	3/4	-64	-21	64	148	233	318	4103	488	573	857	742	3600
2.5	5/8	.257	-86	257	599	941	1283	1625	1968	2310	2852	2994	4500
2.5	3/4	-118	-39	118	276	434	592	750	908	1000	1224	1382	4500
3.0	5/8	-371	-124	371	865	1359	1854	2348	2842	3337	3831	4325	5400
3.0	3/4	-167	-56	167	389	611	833	1006	1278	1500	1722	1944	5400
3.0-5.0	3/4	-427	-142	427	996	1565	2134	2703	3272	3841	4410	4979	6300
3.0-5.0	7/8	-138	-46	138	322	506	689	873	1057	1241	1425	1600	6300
4.0	3/4	-505	-168	505	1179	1853	2527	3201	3875	4549	5223	5896	1200
4.0	7/8	-234	-78	234	547	859	1172	1484	1796	2109	2421	2734	1200
5.0	3/4	-912	-304	912	2128	3344	4560	5776	6992	8208	9424	10640	9000
5.0	7/8	-456	-152	456	1063	1670	2278	2885	3492	4100	4707	5314	9000

## Heating Capacity Loss (BTU/hr')

Tonnage	Diameter	Lineset Length											Max Allowed
		10	20	40	60	80	100	120	140	160	180	200	
1.5	1/2	-436	-145	436	1017	1599	2180	2761	3343	3924	4505	5087	2700
1.5	5/8	-498	-166	498	1161	1825	2489	3153	3816	4480	5144	5807	2700
1.5	3/4	-554	-185	554	1292	2031	2769	3508	4246	4985	5724	6462	2700
2.0	1/2	-473	-158	473	1103	1734	2364	2996	3625	4256	4887	5517	3600
2.0	5/8	-513	-171	513	1197	1881	2566	3250	3934	4618	5302	5986	3600
2.0	3/4	-553	-184	563	1291	2029	2767	3504	4242	4980	5718	6456	3600
2.5	5/8	-538	-179	538	1256	1974	2692	3409	4127	4845	5563	6281	4500
2.5	3/4	-585	-195	585	1365	2145	2926	3706	4486	5266	6006	6826	4500
3.0	5/8	-631	-210	631	1473	2314	3156	3007	4839	5680	6521	7363	5400
3.0	3/4	-710	-237	710	1658	2605	3552	4499	5447	6394	7341	8289	5400
3.0-5.0	3/4	-743	-248	743	1734	2725	3716	4706	5697	6688	7679	8670	6300
3.0-5.0	7/8	-817	-272	817	1906	2996	4085	5174	6264	7353	8442	9532	6300
4.0	3/4	-812	-271	812	1894	2976	4058	5140	6222	7304	8386	9468	1200
4.0	7/8	-874	-274	874	2040	3206	4372	5538	6704	7870	9036	10202	1200
5.0	3/4	-970	-323	970	2264	3557	4851	6145	7438	8732	10026	11319	9000
5.0	7/8	-1076	-359	1076	2510	3945	5379	6813	8248	9682	11116	12551	9000

The gray highlighted area indicates a maximum of 15% BTU/H capacity loss. Calculated with 1/2" insulation @47°F)  
 Note: Please refer to R-454B Application Guide - SSC-APG020A-EN.

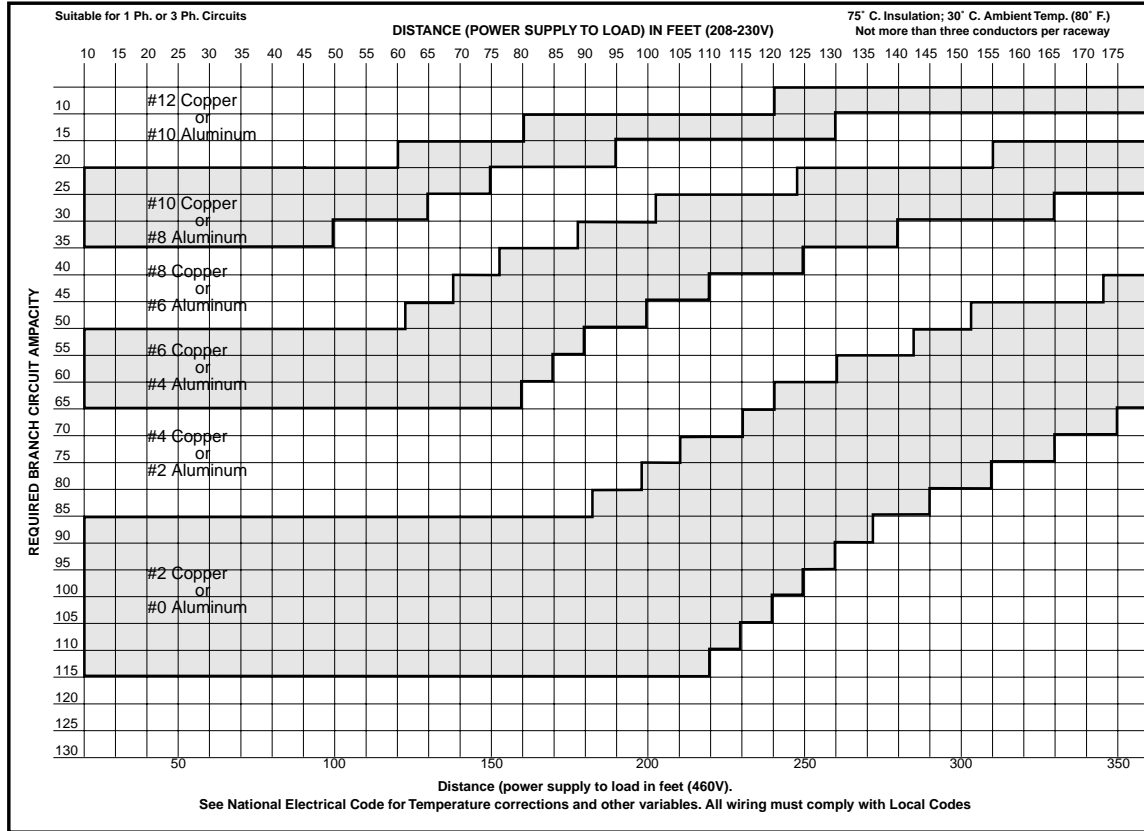
# Branch Circuit Wire Sizing Table/Heater De-Rating Chart

## BRANCH CIRCUIT WIRE SIZING TABLE

(Based on 2% Voltage Drop)

Chart is based on 75° C. wire. (Types FEPW, RH, RHW, THHW, THW, THWN, XHHW, USE, AND ZW.)

Use Chart For Wire Sizing Only. Refer To Electrical Code, (Or Product Specs.) For Fuse Sizing

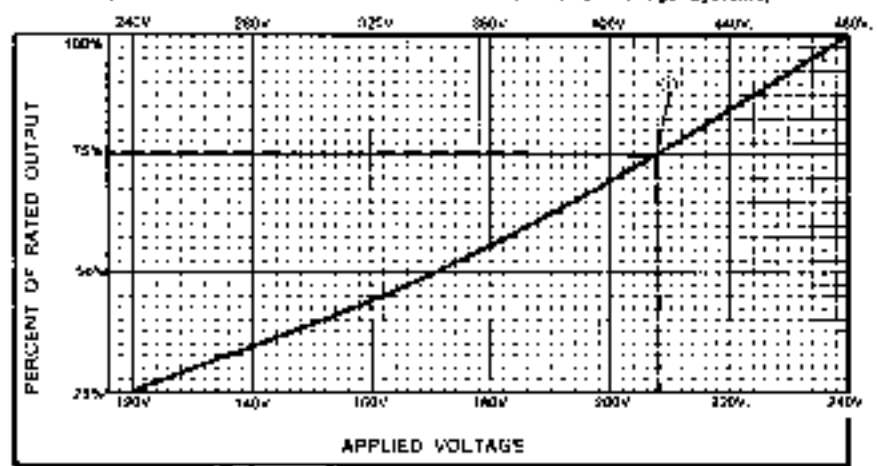


## Heater De-Rating Chart

The output of electric heaters, applied at voltages other than the rated 240 or 480 volts, can be easily determined with the use of this chart.

### ELECTRIC HEATER DE-RATING CHART

(for 240V or 480V Rated Heaters Installed on Lower Voltage Systems)



EXAMPLE: Calculated Heat Loss - 29,250 BTUH Power Supply - 208V.  
The chart indicates that any 240V heater will deliver 75% of its rated capacity at 208V.

29,250 BTUH / 75 = 39,000 BTUH | Select a heater having AT LEAST 39,000 BTUH capacity at 240V

# Basic Air Conditioning Formulas

## Basic Air Conditioning Formulas

TO DETERMINE	EXPRESSED AS	COOLING	HEATING and/or HUMIDIFYING
Total Airflow	CFM <sub>T</sub>	1. $CFM_T = \frac{N_T V}{60 \text{ min./hr.}}$	1. $CFM_T = \frac{N_T V}{60 \text{ min./hr.}}$
Infiltration or Ventilation	CFM <sub>O</sub>	2. $CFM_O = \frac{N_O V}{60 \text{ min./hr.}}$	2. $CFM_O = \frac{N_O V}{60 \text{ min./hr.}}$
Number of Air Changes Per Hour – Total	N <sub>T</sub>	3. $N_T = \frac{CFM_T (60 \text{ min./hr.})}{V}$	3. $N_T = \frac{CFM_T (60 \text{ min./hr.})}{V}$
Number of Air Changes Per Hour – Outdoor Air	N <sub>O</sub>	4. $N_O = \frac{CFM_O (60 \text{ min./hr.})}{V}$	4. $N_O = \frac{CFM_O (60 \text{ min./hr.})}{V}$
Total Heat (H <sub>T</sub> )	Btuh	5. $H_T = CFM_T \times 4.5 \times (h_1 - h_2) = \text{Btuh}$	6. $H_T = CFM_T \times 4.5 \times (h_2 - h_1) = \text{Btuh}$
Sensible Heat (H <sub>S</sub> )	Btuh	7. $H_S = CFM_T \times 1.08 \times (T_1 - T_2) = \text{Btuh}$	8. $H_S = CFM_T \times 1.08 \times (T_2 - T_1) = \text{Btuh}$
Latent Heat (H <sub>L</sub> )	Btuh	9. $H_L = CFM_T \times .68 \times (W_1 - W_2) = \text{Btuh}$	10. $H_L = CFM_T \times .68 \times (W_2 - W_1) = \text{Btuh}$
Entering Air Temperature (T <sub>1</sub> ) (Mixed Air)	∇F.D.B.	11. $T_1 = t_1 + \frac{CFM_O}{CFM_T} \times (t_2 - t_1) = \text{∇F.D.B. } \textcircled{1}$  $\textcircled{1}$ If duct heat gain is a factor, add to T <sub>1</sub> : $\frac{\text{Duct Heat Gain (Btuh)}}{CFM_T \times 1.08}$	12. $T_1 = t_1 - \frac{CFM_O}{CFM_T} \times (t_1 - t_2) = \text{∇F.D.B. } \textcircled{2}$  $\textcircled{2}$ If duct heat loss is a factor, subtract from T <sub>1</sub> : $\frac{\text{Duct Heat Loss (Btuh)}}{CFM_T \times 1.08}$
Leaving Air D.B. Temperature (T <sub>2</sub> )	∇F.D.B.	13. $T_2 = T_1 - \frac{H_S}{CFM_T \times 1.08} = \text{∇F.D.B.}$	14. $T_2 = T_1 + \frac{H_S}{CFM_T \times 1.08} = \text{∇F.D.B.}$
Required Airflow	CFM <sub>T</sub>	15. $CFM_T = \frac{H_S (\text{total})}{1.08 \times (T_1 - T_2)} = \text{CFM}$ OR $CFM_T = \frac{H_S (\text{internal}) \textcircled{3}}{1.08 \times (t_1 - T_2)} = \text{CFM}$ $\textcircled{3}$ Sensible load of outside air not included	16. $CFM_T = \frac{H_S}{1.08 \times (T_2 - T_1)} = \text{CFM}$
Enthalpy – Leaving Air (h <sub>2</sub> )	Btu/lb. dry air	17. $h_2 = h_1 - \frac{H_T}{CFM_T \times 4.5} = \text{Btu/lb. dry air}$	18. $h_2 = h_1 + \frac{H_T}{CFM_T \times 4.5} = \text{Btu/lb. dry air}$
Leaving Air W.B. Temperature	∇F.W.B.	19. Refer to Enthalpy Table and read W.B. temperature corresponding to enthalpy of leaving air (h <sub>2</sub> ) (see #17).	20. Refer to Enthalpy Table and read W.B. temperature corresponding to enthalpy of leaving air (h <sub>2</sub> ) (see #18).
Heat Required to Evaporate Water Vapor Added to Ventilation Air	Btuh	21. $H_L = CFM_O \times .68 (W_3 - W_O) = \text{Btuh}$	22. $H_L = CFM_O \times .68 (W_3 - W_O) = \text{Btuh}$
Humidification Requirements	Lbs. water/hr.	23. $\left( \begin{matrix} \text{Make up} \\ \text{Moisture} \end{matrix} \right) = \frac{\text{Excess Latent Capacity of System} \times \% \text{ Run Time}}{1060 \text{ Btu/lb.}} = \text{lbs./hr.}$ (Industrial Process Work)	24. $\left( \begin{matrix} \text{Make up} \\ \text{Moisture} \end{matrix} \right) = \frac{H_L \text{ loss Btuh (see \#22)}}{1060 \text{ Btu/lb.}} = \text{lbs./hr.}$

LEGEND	DERIVATION OF AIR CONSTANTS
<p>CFM<sub>T</sub> = Total airflow cubic feet/min.            CFM<sub>O</sub> = Outdoor air cubic feet/min.            N<sub>T</sub> = Total air changes per hour            N<sub>O</sub> = Outdoor air, air changes per hour            V = Volume of space cubic feet            H<sub>T</sub> = Total heat Btuh            H<sub>S</sub> = Sensible heat Btuh            H<sub>L</sub> = Latent heat Btuh            * h<sub>1</sub> = Enthalpy or total heat of entering air            * h<sub>2</sub> = Enthalpy or total heat of leaving air            T<sub>1</sub> = Temperature of entering air            T<sub>2</sub> = Temperature of leaving air            T<sub>adp</sub> = Apparatus dewpoint            t<sub>1</sub> = Indoor design temperature            t<sub>2</sub> = Outdoor design temperature            W<sub>1</sub> = Grains of water/lb. of dry air at entering condition            W<sub>2</sub> = Grains of water/lb. of dry air at leaving condition            W<sub>3</sub> = Grains of water/lb. of dry air at indoor design conditions            W<sub>O</sub> = Grains of water/lb. of dry air at outdoor design conditions</p>	<p>The air constants below apply specifically to standard air which is defined as dry air at 70°F and 14.7 P.S.I.A. (29.92 in. mercury column). They can, however, be used in most cooling calculations unless extremely precise results are desired.</p> <p>4.5 (To convert CFM to lbs./hr.)</p> <p><math>4.5 = \frac{60 \text{ min./hr.}}{13.33}</math> or <math>60 \times .075</math></p> <p>Where 13.33 is the specific volume of standard air (cu.ft./lb.) and .075 is the density (lbs./cu.ft.)</p> <p><math>1.08 = \frac{.24 \times 60}{13.33}</math> or <math>.24 \times 4.5</math></p> <p>.24 BTU = specific heat of standard air (BTU/LB/°F)</p> <p><math>.68 = \frac{60}{13.33} \times \frac{1060}{7000}</math> or <math>4.5 \times \frac{1060}{7000}</math></p> <p>Where: 1060 = Average Latent Heat of water vapor (BTU/LB.).            7000 = Grains per lb.</p>

\* See Enthalpy of air (Total Heat Content of Air) Table for exact values.

# Low Ambient R-410A Cooling Operation Accessories

**Table ACIN-8-A - Split System Low Ambient Accessories**

Air Conditioner Heat Pump	55° F. As Manufactured	55°F - 30°F	55°F - 30°F	55°F - 30°F	55°F - 30°F	30F - 20F or 30F - 0F see lowest approved OD ambient				
		Air Conditioner AY28X079②	Heat Pump AY28X084②	TXV-NB	CCHT	BAYLOAM107*	Start Kit③	Solenoid Valve (AC) ④	Windshield	Lowest Approved Outdoor Ambient Cooling Mode
13 SEER	X	X	X	X	X	BAYLOAM107	X	X	X	Approved to 0° F
14 SEER	X	X	X	X	X	BAYLOAM107①	X	X	X	AC Approved to 20° F HP Approved to 10° F
15 SEER	X	X	X	X	X	BAYLOAM107①	X	X	X	AC Approved to 20° F HP Approved to 10° F
16 SEER ①	X	X	X	X	X	BAYLOAM107①	X	X	X	AC Approved to 20° F HP Approved to 10° F
17 SEER ①	X	X	X	X	X	BAYLOAM107①	X	X	X	AC Approved to 20° F HP Approved to 10° F
18 SEER ①	X	X	X	X	X	BAYLOAM107①	X	X	X	AC Approved to 20° F HP Approved to 10° F
17 SEER VS	X	Not Approved				Not Approved				Approved to 55° F
18 SEER VS	X	Not Approved				Not Approved				Approved to 55° F
19 SEER VS	X	Not Approved				Not Approved				Approved to 55° F
20 SEER VS	X	Not Approved				Not Approved				Approved to 55° F

① DO NOT apply BAYLOAM to model tonnages with variable speed condenser fan motors. Models with VS condenser fan motors are approved to 30°F

② AY28X\*\*\* EDC not required when indoor unit has EEV

③ VS 20 SEER OD units approved to 55°F

④ Liquid line solenoid shall be used for isolation purposes. Also used if liquid line is 1/2" and installed before the evaporator coil. See SS-APG006F-EN Refrigeration Piping Application Guide

⑤ Start Kit NOT required on 230v/460v/3 phase product

\* All AC models may use BAYLOAM103 or BAYLOAM107

Trane convertible package units may be operated in the cooling mode to 55°F outdoor ambient temperature as shipped from the factory. Where required these units with the appropriate accessories may be applied to operate at outdoor temperatures below 55°F.

**Table ACIN-8-B - Package System Low Ambient Accessories**

Packaged Convertible Air Conditioner, Heat Pump, Gas/Electric	55° F. As Manufactured	Below 55°F Use Accessories for Operation to the Lowest Approved Outdoor Ambient					Lowest Approved Outdoor Ambient Cooling Mode
		EDC BAYLOAM011A	CCHT	BAYLOAM105A	Start Kit①		
4TC**	X	X	X	X	X	X	20° F
4WC**	X	X	X	X	X	X	10° F
4YC**	X	X	X	X	X	X	20° F
4DC*	X	X	X	X	X	X	10° F

① NO Start KIT on 3 phase product

### Compressor Crankcase Heaters

BAYCCHT102A for 6.5" scroll compressors, 60 watt, 230vac

BAYCCHT103A for 5.5" scroll compressors, 40 watt, 230vac

BAYCCHT404B for 6.5" scroll compressors, 60 watt, 460vac

BAYCCHT405A for 5.5" scroll compressors, 40 watt, 460vac

### Start KITS

BAYQSTK300B for 4TC & 4WC 230vac, Single Phase Only

BAYQSTK301C for 4YC & 4DC 230vac, Single Phase Only

Please refer to publication SS-APG012B-EN for complete details and examples.

# Low Ambient R-454B Cooling Operation Accessories

**Table ACIN-9-A — R-454B Split System Low Ambient Cooling Accessories**

AC/HP	55°F As Manufactured	55°F - 20°F see lowest approved OD ambient								Lowest Approved Outdoor Ambient Cooling mode
		55°F - 40°F AC AY28X079 ②	55°F - 40°F HP AY28X084 ②	55°F - 30°F Non-TXV Bleed	55°F - 20°F Compressor Crankcase Heater	BAYLOAM107 BAYLOAM108 ①	Start Kit ④	Solenoid Valve (AC) ③	Windshield	
Single Stage	X	X	X	X	X	X	X	X	X	Approved to 20°F
17 SEER2 Multi-Speed	X				Not Required	NOT APPROVED	Not Required			Approved to 55°F
Variable Speed	X				Not Required	NOT APPROVED	Not Required			Approved to 55°F

- ① DO NOT APPLY BAYLOAM to model tonnages with variable speed condenser fan motors. Models with variable speed condenser fan motors are approved to 30°F. Refer to Product Data literature for confirmation of condenser fan motor type
- ② AY28X\*\*\* EDC not required when indoor unit has an EEV (5TAMX)
- ③ liquid line Solenoid shall be used for isolation purposes.
- ④ Start Kit NOT required on 230v/460v/3 phase product

Trane convertible package units may be operated in the cooling mode to 55°F outdoor ambient temperature as shipped from the factory. Where required these units with the appropriate accessories may be applied to operate at outdoor temperatures below 55°F.

**Table ACIN-9-B — R-454B Package System Low Ambient Accessories**

Packaged Convertible Air Conditioner, Heat Pump, Gas/Electric	Below 55°F Use Accessories for Operation to the Lowest Approved Outdoor Ambient					
	55° F. As Manufactured	EDC BAYLOAM011A	CCHT	BAYLOAM105A	Start Kit ①	Lowest Approved Outdoor Ambient Cooling Mode
5TC**	X	X	X	X	X	20°
5WC**	X	X	X	X	X	20°
5YC**	X	X	X	X	X	20°

- ① NO Start KIT on 3 phase product

### Compressor Crankcase Heaters

BAYCCHT102 — 230 V 60-Watt heater for scroll compressors 6.5" diameter  
 BAYCCHT103 — 230 V 40-Watt heater for scroll compressors 5.5" diameter  
 BAYCCHT404 — 460 V 60-Watt heater for scroll compressors 6.5" diameter  
 BAYCCHT405 — 460 V 40-Watt heater for scroll compressors 5.5" diameter

### Start KITS

Use BAYQSTK300 for \*WC\*\*, \*TC\*\*, A5PA and A5PH units (excludes \*TCA, \*WCA and \*YCA).  
 Use BAYQSTK301 or \*DC\*\*, \*YC\*\*, \*TCA, \*WCA, \*YCA and A5PG units.



# Odyssey with Symbio™ Cooling Split Systems Single Circuit, Three Phase – 6-25 Tons, R-454B



**TTA – 6-25 Tons**

- Symbio™ controls option
- (1) Scroll compressor (TTA072-120A)
- (2) Scroll compressors (TTA072-240D) with independent refrigerant circuits
- Single point power
- Compressor motor overload protection
- Compressor discharge temperature limit switch
- Control transformer
- High and low pressure cut-out switches
- Liquid line filter drier, factory installed
- Electrical phase reversal protection
- Internal pressure relief valves
- Holding charge (Dry Nitrogen)
- All Aluminum microchannel coil
- Low ambient cooling to 50°F as shipped
- Low ambient cooling to 0°F with accessory head pressure control
- Mounting/lifting rails under base
- UL listed
- 5-year compressor warranty
- 1-year limited parts warranty
- Optional Extended Warranties

**Model Number Description – Cooling Condenser**

**Digit 1-3 – Unit Function**  
TTA = Split System Cooling

**Digit 4-6 – Tonnage**  
072 = 6 Tons (60Hz)  
090 = 7.5 Tons (60Hz)  
120 = 10 Tons (60Hz)  
150 = 12.5 Tons (60Hz)  
180 = 15 Tons (60Hz)  
240 = 20 Tons (60Hz)  
300 = 25 Tons (60Hz)

**Digit 7 – Refrigerant**  
K = R-454B

**Digit 8 – Voltage**  
3 = 208-230VAC - 3 PH (60Hz)  
4 = 460VAC - 3 PH (60Hz)  
W = 575VAC - 3 PH (60Hz)

**Digit 9 – Refrigeration Circuit/Stage**  
A = 1 Compressor/1 Line/1 Stage (Single)  
D = 2 Compressors/2 Line/2 Stage (Dual)

**Digit 10 – Major Design Sequence**  
A = Current Design Sequence

**Digit 11 – Minor Design Sequence**  
A = Current Design Sequence

**Digit 12-13 – Service Digits**

**Digit 14 – Efficiency Generation**  
B = Generation B

**Digit 15 – Controls**  
S = Symbio™

**Digit 16 – None**  
0 = Not Used

**Digit 17 – Coil Protection**

0 = Standard Coil  
1 = Standard Coil w/ Hail Guard  
4 = Complete Coat Condenser Coil (MCHE)  
5 = Complete Coat Condenser Coil with Hail Guard (MCHE)

**Digit 18-20 – None**  
0 = Not Used

**Digit 21 – Communications Options**

0 = No Option  
1 = Advanced Diagnostics and BACnet® BAS  
2 = Advanced Diagnostics and LonTalk® Communications Interface (LCI)

**Digit 22-40 – None**  
0 = Not Used

**Table LSC-1-A – TTA Split System Cooling – Single Compressor – R-454B Refrigerant**

Model Number	Power Supply	AHRI Net Cooling Cap. (BTUH)	Shipping Dimensions(in.)			Shipping Weight (lbs.)	MCA*	Max. Fuse*	Connection Size (in)	
			H	W	L				OD Gas	OD Liq.
TTA072K3A	208-230/3/60	76,000	45	45.25	39	324	31	50	1 <sup>1</sup> / <sub>8</sub>	1 <sup>1</sup> / <sub>2</sub>
TTA090K3A	208-230/3/60	97,000	45	45.25	39	342	38	60	1 <sup>3</sup> / <sub>8</sub>	1 <sup>1</sup> / <sub>2</sub>
TTA072K4A	460/3/60	76,000	45	45.25	39	324	16	25	1 <sup>1</sup> / <sub>8</sub>	1 <sup>1</sup> / <sub>2</sub>
TTA090K4A	460/3/60	97,000	45	45.25	39	342	17	25	1 <sup>3</sup> / <sub>8</sub>	1 <sup>1</sup> / <sub>2</sub>
TTA072KWA	575/3/60	76,000	45	45.25	39	324	12	15	1 <sup>1</sup> / <sub>8</sub>	1 <sup>1</sup> / <sub>2</sub>
TTA090KWA	575/3/60	97,000	45	45.25	39	342	16	25	1 <sup>3</sup> / <sub>8</sub>	1 <sup>1</sup> / <sub>2</sub>

**Table LSC-1-B – TTA Split System Cooling – Dual Manifolder Compressors with Single Refrigerant Circuits – R-454B Refrigerant**

Model Number	Power Supply	AHRI Net Cooling Cap. (BTUH)	Shipping Dimensions(in.)			Shipping Weight (lbs.)	MCA*	Max. Fuse*	Connection Size (in)	
			H	W	L				OD Gas	OD Liq.
TTA120K3C	208-230/3/60	125,000	45	55	42	473	43	50	1 <sup>3</sup> / <sub>8</sub>	1 <sup>1</sup> / <sub>2</sub>
TTA180K3C	208-230/3/60	190,000	51.1	96	48	806	73	100	1 <sup>5</sup> / <sub>8</sub>	5 <sup>5</sup> / <sub>8</sub>
TTA240K3C	208-230/3/60	244,000	51.1	96	48	892	112	150	1 <sup>5</sup> / <sub>8</sub>	5 <sup>5</sup> / <sub>8</sub>
TTA300K3C	208-230/3/60	294,000	57.1	96	48	1020	109	150	2 <sup>1</sup> / <sub>8</sub>	5 <sup>5</sup> / <sub>8</sub>
TTA120K4C	460/3/60	125,000	45	55	42	473	22	25	1 <sup>3</sup> / <sub>8</sub>	1 <sup>1</sup> / <sub>2</sub>
TTA180K4C	460/3/60	190,000	51.1	96	48	806	34	45	1 <sup>5</sup> / <sub>8</sub>	5 <sup>5</sup> / <sub>8</sub>
TTA240K4C	460/3/60	244,000	51.1	96	48	892	54	70	1 <sup>5</sup> / <sub>8</sub>	5 <sup>5</sup> / <sub>8</sub>
TTA300K4C	460/3/60	294,000	57.1	96	48	1020	61	80	2 <sup>1</sup> / <sub>8</sub>	5 <sup>5</sup> / <sub>8</sub>
TTA120KWC	575 / 3 / 60	125,000	45	55	42	473	20	25	1 <sup>3</sup> / <sub>8</sub>	1 <sup>1</sup> / <sub>2</sub>
TTA180KWC	575 / 3 / 60	190,000	51.1	96	48	806	26	35	1 <sup>5</sup> / <sub>8</sub>	5 <sup>5</sup> / <sub>8</sub>
TTA240KWC	575 / 3 / 60	244,000	51.1	96	48	892	45	60	1 <sup>5</sup> / <sub>8</sub>	5 <sup>5</sup> / <sub>8</sub>
TTA300KWC	575 / 3 / 60	294,000	57.1	96	48	1020	41	50	2 <sup>1</sup> / <sub>8</sub>	5 <sup>5</sup> / <sub>8</sub>

\* Information subject to change. Please confirm current product data within respective catalogs, IOMs or Trane Select Assist.



It's Hard To Stop A Trane.®

# Odyssey with Symbio™ Cooling Split Systems Dual Circuit, Three Phase – 6-25 Tons, R-454B



TTA – 6-25 Tons

- Symbio™ controls option
- (2) Manifolded scroll compressors
- Single point power
- Compressor motor overload protection
- Compressor discharge temperature limit switch
- Control transformer
- High and low pressure cut-out switches
- Liquid line filter drier, factory installed
- Electrical phase reversal protection
- Internal pressure relief valves
- Holding charge (Dry Nitrogen)
- All aluminum microchannel coil
- Low ambient cooling to 50°F as shipped
- Low ambient cooling to 0°F with accessory head pressure control
- Mounting/lifting rails under base
- UL listed
- 5-year compressor warranty
- 1-year limited parts warranty
- Optional Extended Warranties

## Model Number Description — Cooling Condenser

**Digit 1-3 — Unit Function**  
TTA = Split System Cooling

**Digit 4-6 — Tonnage**

072 = 6.0 Tons (60Hz)

090 = 7.5 Tons (60Hz)

120 = 10 Tons (60Hz)

180 = 15 Tons (60Hz)

240 = 20 Tons (60Hz)

**Digit 7 — Refrigerant**

K = R-454B

**Digit 8 — Voltage**

3 = 208-230VAC - 3 PH (60Hz)

4 = 460VAC - 3 PH (60Hz)

W = 575VAC - 3 PH (60Hz)

**Digit 9 — Refrigerant Circuit/Stage**

A = 1 Compressor/1 Line/1 Stage (Single)

C = 2 Compressors/1 Line/2 Stage (Manifold)

D = 2 Compressors/2 Line/2 Stage (Dual)

**Digit 10 — Major Design Sequence**

A = Current Design Sequence

**Digit 11 — Minor Design Sequence**

A = Current Design Sequence

**Digit 12-13 — Service Digits**

**Digit 14 — Efficiency Generation**

B = Generation B

**Digit 15 — Controls**

S = Symbio™

**Digit 16 — None**

0 = Not Used

**Digit 17 — Coil Protection**

0 = Standard Coil

1 = Standard Coil w/ Hail Guard

4 = Complete Coat Condenser Coil (MCHE)

5 = Complete Coat Condenser Coil with Hail Guard (MCHE)

**Digit 18-20 — None**

0 = Not Used

**Digit 21 — Communications Options**

0 = No Option

1 = Advanced Controller - BACnet® BAS

2 = Advanced Controller - LonTalk®

**Digit 22-40 — None**

0 = Not Used

Table LSC-2-A — TTA Split System Cooling — Dual Compressors with Two Sets of Refrigerant Circuits – R-454B Refrigerant

Model Number	Power Supply	AHRI Net Cooling Cap. (BTUH)	Shipping Dimensions(in.)			Shipping Weight (lbs.)	MCA*	Max. Fuse*	Connection Size (in)	
			H	W	L				OD Gas	OD Liq.
TTA072K3D	208-230/3/60	75,000	45	45.25	39	348	33	45	7/8	1/2
TTA090K3D	208-230/3/60	96,000	45	45.25	39	399	35	45	1 1/8	1/2
TTA120K3D	208-230/3/60	121,000	45	55	42	443	42	50	1 1/8	1/2
TTA150K3D	208-230/3/60	156,000	52.1	55	42	504	66	90	1 1/8	1/2
TTA180K3D	208-230/3/60	196,000	51.1	96	48	806	74	100	1 3/8	1/2
TTA240K3D	208-230/3/60	246,000	51.1	96	48	872	87	110	1 3/8	1/2
TTA072K4D	460/3/60	75,000	45	45.25	39	348	16	20	7/8	1/2
TTA090K4D	460/3/60	96,000	45	45.25	39	399	18	20	1 1/8	1/2
TTA120K4D	460/3/60	121,000	45	55	42	443	20	25	1 1/8	1/2
TTA150K4D	460/3/60	156,000	52.1	55	42	504	28	35	1 1/8	1/2
TTA180K4D	460/3/60	196,000	51.1	96	48	806	33	40	1 3/8	1/2
TTA240K4D	460/3/60	246,000	51.1	96	48	872	48	60	1 3/8	1/2
TTA072KWD	575 / 3 / 60	75,000	45	45.25	39	348	14	15	7/8	1/2
TTA090KWD	575 / 3 / 60	96,000	45	45.25	39	399	15	20	1 1/8	1/2
TTA120KWD	575 / 3 / 60	121,000	45	55	42	443	18	20	1 1/8	1/2
TTA150KWD	575 / 3 / 60	156,000	52.1	55	42	504	24	30	1 1/8	1/2
TTA180KWD	575 / 3 / 60	196,000	51.1	96	48	806	28	35	1 3/8	1/2
TTA240KWD	575 / 3 / 60	246,000	51.1	96	48	872	36	50	1 3/8	1/2

\* Information subject to change. Please confirm current product data within respective catalogs, IOMs or Trane Select Assist.

Light Commercial  
Split System Cooling



# Odyssey with Symbio™ Cooling Split Systems, R-454B - 6-25 Ton Condenser Accessories

Table LSC-3-A — TTA Accessories

Model	Used With
<b>Low Ambient — On/Off Fan Control (External mount, small cabinets) ① ②</b>	
BAYLOAMS10*(ExternalMount,smallcabinets) ③	TTA072,TTA090,TTA120,TTA150 (all voltages)
BAYLOAMS20*(Internalmount, largecabinets)	TTA180,TTA240,TTA300 (all voltages)
<b>Transducer Kit for Head Pressure Control (BAYLOAM10*) ④</b>	
BAYLOTR001* ④	TTA072**D,TTA090**D,TTA120**D,TTA150**D
<b>LonTalk Communications Interface €</b>	
BAYLTCI005* ⑤	All models
<b>Expansion Module Kit</b>	
BAYMODU002*(XM30)	All models
BAYMODU004*(XM32)	All models
<b>Coil (Hail/Vandal) Gaurds</b>	
BAYGARD068*	TTA072,TTA090
BAYGARD064*	TTA120
BAYGARD065*	TTA150
BAYGARD066*	TTA180,TTA240
BAYGARD067*	TTA300
<b>Universal Hot Gas Bypass Kit</b>	
BAYHGBP011*	All models
<b>Service Valve Kit</b>	
BAYVALV020*	TTA072K*A, TTA0900K*A, TTA120K*C
BAYVALV022*	TTA072K*D, TTA0990K*D, TTA120K*D
BAYVALV023*	TTA150K*D
BAYVALV024*	TTA180K*D, TTA240K*D
BAYVALV026*	TTA180K*C, TTA240K*C
BAYVALV027*	TTA300K*C
<b>Rubber Isolators</b>	
BAYISLT004* (blue)	TTA072, TTA090
BAYISLT005* (black)	TTA120
BAYISLT009* (red)	TTA150, TTA180
BAYISLT010* (green)	TTA240, TTA300
<b>Steel Spring Isolators</b>	
BAYISLT023* (red)	TTA072, TTA090, TTA120**A
BAYISLT024* (black)	TTA120**C/D, TTA150, TTA180
BAYISLT025* (yellow)	TTA240, TTA300

① Cycles fan on/off (no modulating)

② When BAYLOAM is used, the Evaporator Defrost Control (EDC) must be disabled in the Symbio700 controller configuration

③ Kit mounts external to the outdoor unit and operates by sensing ambient temperature and discharge pressure

④ BAYLOTR001\* required when BAYLOAMS10\* kits are used with units that have 2 compressors (dual circuit) and 1 condenser fan

⑤ Field Installed LonTalk interface requires installation of Symbio control board with Advanced Diagnostics (not included)

\* Information subject to change. Please confirm current product data within respective catalogs, IOMs or Trane Select Assist.



# Split System Cooling Three Phase – 6-25 Tons, R-454B

**Table LSC-4-A – Symbio™ Control Options**

Model Number	Description	Used With
BAYSENS107	Zone Sensor, Set Point Adj, Fan, System, EH, ED	TTA072-TTA300 with Symbio™ Controls
BAYSENS109	Zone Sensor, 2 Set Point Adj, Fan, System, EH, ED	TTA072-TTA300 with Symbio™ Controls
BAYSENS119	Digital Programmable Zone Sensor	TTA072-TTA300 with Symbio™ Controls
BAYSENS135	Digital Non-Programmable Zone Sensor	TTA072-TTA300 with Symbio™ Controls
BAYSENS106	Zone Sensor, Single Setpoint Manual Changeover	TTA072-TTA300 with Symbio™ Controls
BAYSENS108	Zone Sensor, 2 Set Point, Fan, System	TTA072-TTA300 with Symbio™ Controls
BAYSENS110	Zone Sensor, 2 Set Point, Fan, System, ED	TTA072-TTA300 with Symbio™ Controls
BAYSENS073	Room sensor w/override	TTA072-TTA300 with Symbio™ Controls
BAYSENS074	Room sensor w/temp adjust and override	TTA072-TTA300 with Symbio™ Controls
BAYSENS106	Single setpoint manual changeover	TTA072-TTA300 with Symbio™ Controls
BAYSENS108	Dual setpoint man/auto changeover	TTA072-TTA300 with Symbio™ Controls
BAYSENS110	Dual setpoint man/auto chgvr w/lights	TTA072-TTA300 with Symbio™ Controls
BAYSENS135	Digital display zone sensor	TTA072-TTA300 with Symbio™ Controls
BAYSENS050	Digital display wireless zone sensor	TTA072-TTA300 with Symbio™ Controls
BAYSEN30ATEMP	Remote wired ODT Sensor	TTA072-TTA300 with Symbio™ Controls
ZZSENSAL0300	Remote wired IDT sensor	TTA072-TTA300 with Symbio™ Controls
BAYSENS800 ①	Prog. Zone Temp Sensor	TTA072-TTA300 with Symbio™ Controls

① BAYSENS800 requires installation of Symbio control board with Advanced Diagnostics (not included).

\* Information subject to change. Please confirm current product data within respective catalogs, IOMs or Trane Select Assist.

**Table LSC-4-B – Electromechanical Control Options**

Model Number	Description	Used With
TCONT102AN11AA	1H/1C Non-Programmable Thermostat	TTA072A, TTA090A
TCONT103AN21HA	2H/1C Non-Programmable Thermostat	TTA072A, TTA090A
TCONT402AN32DA	3H/2C Non-Programmable Thermostat	ALL
TCONT202AS11MA	1H/1C Programmable Thermostat	TTA072A, TTA090A
TCONT302AS42DA	4H/2C Touchscreen Programmable Thermostat	ALL
TCONT303AS42DA	4H/2C Touchscreen Programmable Thermostat, Humidity Sensor	ALL
BAYSTAT814A	Pivot Smart Thermostat	ALL
TCONT200AN11A	1H/1C Digital Non-Programable Thermostat	TTA072A, TTA090A
TCONT202AS11M	1H/1C Non-Programmable Thermostat	TTA072A, TTA090A
TCONT203AS42M	4H/2C Non-Programmable Thermostat	TTA072A, TTA090A
TCONT302AS42D	4H/2C Touchscreen Programmable Thermostat	ALL
TCONT303AS42D	4H/2C Touchscreen Programmable Thermostat, Humidity Sensor	ALL
BAYSTAT814	Pivot Smart Thermostat-Electomechanical	ALL

\* Information subject to change. Please confirm current product data within respective catalogs, IOMs or Trane Select Assist.



# Odyssey with Symbio™ Cooling Split Systems Single Circuit, Three Phase – 6-25 Tons, R-410A



TTA – 6-25 Tons

- Symbio™ controls option
- (1) Scroll compressor (TTA072-120A)
- (2) Scroll compressors (TTA072-240D) with independent refrigerant circuits
- Single point power
- Compressor motor overload protection
- Compressor discharge temperature limit switch
- Control transformer
- High and low pressure cut-out switches
- Liquid line filter drier, factory installed
- Electrical phase reversal protection
- Internal pressure relief valves
- Holding charge (Dry Nitrogen)
- All Aluminum microchannel coil
- Low ambient cooling to 50°F as shipped
- Low ambient cooling to 0°F with accessory head pressure control
- Mounting/lifting rails under base
- UL listed
- 5-year compressor warranty
- 1-year limited parts warranty
- Optional Extended Warranties

## Model Number Description – Cooling Condenser

**Digit 1-3 – Unit Function**  
TTA = Split System Cooling

**Digit 4-6 – Tonnage**

072 = 6 Tons (60Hz)  
090 = 7.5 Tons (60Hz)  
120 = 10 Tons (60Hz)  
150 = 12.5 Tons (60Hz)  
180 = 15 Tons (60Hz)  
240 = 20 Tons (60Hz)  
300 = 25 Tons (60Hz)

**Digit 7 – Refrigerant**  
4 = R-410A

**Digit 8 – Voltage**  
3 = 208-230VAC - 3 PH (60Hz)  
4 = 460VAC - 3 PH (60Hz)  
W = 575VAC - 3 PH (60Hz)

**Digit 9 – Refrigeration Circuit/Stage**  
A = 1 Compressor/1 Line/1 Stage (Single)  
C = 2 Compressors/1 Line/2 Stage (Manifold)  
D = 2 Compressors/2 Line/2 Stage (Dual)

**Digit 10 – Major Design Sequence**  
A = Current Design Sequence

**Digit 11 – Minor Design Sequence**  
A = 2024 Design Sequence  
C = 2025 Design Sequence

**Digit 12-13 – Service Digits**  
**Digit 14 – Efficiency Generation**  
B = Generation B

**Digit 15 – Controls**  
S = Symbio™

**Digit 16 – None**  
0 = Not Used

**Digit 17 – Coil Protection**  
1 = Standard Coil w/ Hail Guard  
5 = Complete Coat Condenser Coil with Hail Guard (MCHE)

**Digit 18-20 – None**  
0 = Not Used

**Digit 21 – Communications Options**  
0 = Basic Controller – No Communication  
1 = Advanced Controller - BACnet® BAS  
2 = Advanced Controller - LonTalk®

**Digit 22-40 – None**  
0 = Not Used

Table LSC-1-A – TTA Split System Cooling – Single Compressor with Single Refrigerant Circuit – R-410A Refrigerant

Model Number	Power Supply	AHRI Net Cooling Cap. (BTUH)	Shipping Dimensions(in.)			Shipping Weight (lbs.)	Sound <sup>Ⓢ</sup> Rating	MCA*	Max. Fuse*	Connection Size (in)	
			H	W	L					OD Gas	OD Liq.
TTA07243A	208-230/3/60	76,000	45	45.25	39	324	84	27	45	1 <sup>1</sup> / <sub>8</sub>	1 <sup>1</sup> / <sub>2</sub>
TTA09043A	208-230/3/60	95,000	45	45.25	39	342	83	36	60	1 <sup>3</sup> / <sub>8</sub>	1 <sup>1</sup> / <sub>2</sub>
TTA07244A	460/3/60	76,000	45	45.25	39	324	84	11	15	1 <sup>1</sup> / <sub>8</sub>	1 <sup>1</sup> / <sub>2</sub>
TTA09044A	460/3/60	95,000	45	45.25	39	342	83	16	25	1 <sup>3</sup> / <sub>8</sub>	1 <sup>1</sup> / <sub>2</sub>
TTA0724WA	575/3/60	76,000	45	45.25	39	324	84	9	15	1 <sup>1</sup> / <sub>8</sub>	1 <sup>1</sup> / <sub>2</sub>
TTA0904WA	575/3/60	95,000	45	45.25	39	342	83	12	20	1 <sup>3</sup> / <sub>8</sub>	1 <sup>1</sup> / <sub>2</sub>

Table LSC-1-B – TTA Split System Cooling – Dual Manifolder Compressors with Single Refrigerant Circuit – R-410A Refrigerant

Model Number	Power Supply	AHRI Net Cooling Cap. (BTUH)	Shipping Dimensions(in.)			Shipping Weight (lbs.)	Sound <sup>Ⓢ</sup> Rating	MCA*	Max. Fuse*	Connection Size (in)	
			H	W	L					OD Gas	OD Liq.
TTA12043C	208-230/3/60	122,000	45	55	42	473	91	40	50	1 <sup>3</sup> / <sub>8</sub>	1 <sup>1</sup> / <sub>2</sub>
TTA18043C	208-230/3/60	188,000	51.1	96	48	806	93	66	90	1 <sup>5</sup> / <sub>8</sub>	5 <sup>5</sup> / <sub>8</sub>
TTA24043C	208-230/3/60	250,000	51.1	96	48	879	94	97	125	1 <sup>5</sup> / <sub>8</sub>	5 <sup>5</sup> / <sub>8</sub>
TTA30043C	208-230/3/60	297,000	57.1	96	48	1013	94	101	125	2 <sup>1</sup> / <sub>8</sub>	5 <sup>5</sup> / <sub>8</sub>
TTA12044C	460/3/60	122,000	45	55	42	473	91	20	25	1 <sup>3</sup> / <sub>8</sub>	1 <sup>1</sup> / <sub>2</sub>
TTA18044C	460/3/60	188,000	51.1	96	48	806	93	31	40	1 <sup>5</sup> / <sub>8</sub>	5 <sup>5</sup> / <sub>8</sub>
TTA24044C	460/3/60	250,000	51.1	96	48	879	94	46	60	1 <sup>5</sup> / <sub>8</sub>	5 <sup>5</sup> / <sub>8</sub>
TTA30044C	460/3/60	297,000	57.1	96	48	1013	94	48	60	2 <sup>1</sup> / <sub>8</sub>	5 <sup>5</sup> / <sub>8</sub>
TTA1204WC	575/3/60	122,000	45	55	42	473	91	15	20	1 <sup>3</sup> / <sub>8</sub>	1 <sup>1</sup> / <sub>2</sub>
TTA1804WC	575/3/60	188,000	51.1	96	48	806	93	23	30	1 <sup>5</sup> / <sub>8</sub>	5 <sup>5</sup> / <sub>8</sub>
TTA2404WC	575/3/60	250,000	51.1	96	48	879	94	38	50	1 <sup>5</sup> / <sub>8</sub>	5 <sup>5</sup> / <sub>8</sub>
TTA3004WC	575/3/60	297,000	57.1	96	48	1013	94	41	50	2 <sup>1</sup> / <sub>8</sub>	5 <sup>5</sup> / <sub>8</sub>

Ⓢ Sound rating shown is tested in accordance with ARI Standard 270 or 370.

\* Information subject to change. Please confirm current product data within respective catalogs, IOMs or Trane Select Assist.



It's Hard To Stop A Trane.®

# Odyssey with Symbio™ Cooling Split Systems Dual Circuit, Three Phase – 6-25 Tons, R-410A



TTA – 6-25 Tons

- Symbio™ controls option
- (2) Manifolded scroll compressors
- Single point power
- Compressor motor overload protection
- Compressor discharge temperature limit switch
- Control transformer
- High and low pressure cut-out switches
- Liquid line filter drier, factory installed
- Electrical phase reversal protection
- Internal pressure relief valves
- Holding charge (Dry Nitrogen)
- All aluminum microchannel coil
- Low ambient cooling to 50°F as shipped
- Low ambient cooling to 0°F with accessory head pressure control
- Mounting/lifting rails under base
- UL listed
- 5-year compressor warranty
- 1-year limited parts warranty
- Optional Extended Warranties

## Model Number Description – Cooling Condenser

**Digit 1-3 – Unit Function**  
TTA = Split System Cooling

**Digit 4-6 – Tonnage**  
072 = 6.0 Tons (60Hz)  
090 = 7.5 Tons (60Hz)  
120 = 10 Tons (60Hz)  
180 = 15 Tons (60Hz)  
240 = 20 Tons (60Hz)

**Digit 7 – Refrigerant**  
4 = R-410A

**Digit 8 – Voltage**  
3 = 208-230VAC - 3 PH (60Hz)  
4 = 460VAC - 3 PH (60Hz)  
W = 575VAC - 3 PH (60Hz)

**Digit 9 – Refrigeration Circuit/Stage**  
A = 1 Compressor/1 Line/1 Stage (Single)  
C = 2 Compressors/1 Line/2 Stage (Manifold)  
D = 2 Compressors/2 Line/2 Stage (Dual)

**Digit 10 – Major Design Sequence**  
A = Current Design Sequence  
**Digit 11 – Minor Design Sequence**  
A = 2024 Design Sequence  
C = 2025 Design Sequence

**Digit 12-13 – Service Digits**  
**Digit 14 – Efficiency Generation**  
B = Generation B  
**Digit 15 – Controls**  
S = Symbio™

**Digit 16 – None**  
0 = Not Used  
**Digit 17 – Coil Protection**  
1 = Standard Coil with Hail Guard  
5 = Complete Coat Condenser Coil with Hail Guard (MSHE)  
**Digit 18-20 – None**  
0 = Not Used  
**Digit 21 – Communications Options**  
0 = Basic Controller – No Communication  
1 = Advanced Controller - BACnet® BAS  
2 = Advanced Controller - LonTalk®  
**Digit 22-40 – None**  
0 = Not Used

Table LSC-2-A – TTA Split System Cooling – Dual Compressors with Two Sets of Refrigerant Circuits - R-410A Refrigerant

Model Number	Power Supply	AHRI Net Cooling Cap. (BTUH)	Shipping Dimensions(in.)			Shipping Weight (lbs.)	Sound <sup>Ⓞ</sup> Rating	MCA*	Max. Fuse*	Connection Size (in)	
			H	W	L					OD Gas	OD Liq.
TTA07243D	208-230/3/60	75,000	45	45.25	39	344	91	23	30	7/8	1/2
TTA09043D	208-230/3/60	93,000	45	45.25	39	380	91	34	45	1 1/8	1/2
TTA12043D	208-230/3/60	116,000	45	55	42	436	91	41	50	1 1/8	1/2
TTA15043D	208-230/3/60	155,000	52.1	55	42	504	93	50	70	1 1/8	1/2
TTA18043D	208-230/3/60	193,000	51.1	96	48	806	93	74	100	1 3/8	1/2
TTA24043D	208-230/3/60	246,000	51.1	96	48	872	94	85	110	1 3/8	1/2
TTA07244D	460/3/60	75,000	45	45.25	39	344	91	14	15	7/8	1/2
TTA09044D	460/3/60	91,000	45	45.25	39	380	91	16	20	1 1/8	1/2
TTA12044D	460/3/60	116,000	45	55	42	436	91	19	25	1 1/8	1/2
TTA15044D	460/3/60	155,000	52.1	55	42	504	93	25	30	1 1/8	1/2
TTA18044D	460/3/60	193,000	51.1	96	48	806	93	32	40	1 3/8	1/2
TTA24044D	460/3/60	246,000	51.1	96	48	872	94	40	50	1 3/8	1/2
TTA0724WD	575/3/60	75,000	45	45.25	39	344	91	10	15	7/8	1/2
TTA0904WD	575/3/60	93,000	45	45.25	39	380	91	11	15	1 1/8	1/2
TTA1204WD	575/3/60	116,000	45	55	42	436	91	14	15	1 1/8	1/2
TTA1504WD	575/3/60	155,000	52.1	55	42	504	93	19	25	1 1/8	1/2
TTA1804WD	575/3/60	193,000	51.1	96	48	806	93	24	30	1 3/8	1/2
TTA2404WD	575/3/60	246,000	51.1	96	48	872	94	31	40	1 3/8	1/2

Ⓞ Sound rating shown is tested in accordance with ARI Standard 270 or 370.

\* Information subject to change. Please confirm current product data within respective catalogs, IOMs or Trane Select Assist.

Light Commercial  
Split System Cooling - R-410A



# Odyssey with Symbio™ Cooling Split Systems, R-410A 6-25 Ton Condenser Accessories

Table LSC-3-A — TTA Accessories

Model	Used With
<b>Universal Hot Gas Bypass Kit</b>	
BAYHGBP010*	All models
<b>Rubber Isolators</b>	
BAYISLT004* (blue)	TTA072, TTA090
BAYISLT005* (black)	TTA120
BAYISLT009* (red)	TTA150, TTA180
BAYISLT010* (green)	TTA240, TTA300
<b>Steel Spring Isolators</b>	
BAYISLT023* (red)	TTA072, TTA090, TTA120**A
BAYISLT024* (black)	TTA120**C/D, TTA150, TTA180
BAYISLT025* (yellow)	TTA240, TTA300
<b>Service Valve Kit</b>	
BAYVALV020*	TTA0724*A, TTA0904*A, TTA1204*A/C
BAYVALV022*	TTA0724*D, TTA0904*D, TTA1204*D
BAYVALV023	TTA1504*D
BAYVALV024*	TTA1804*D, TTA2404*D
BAYVALV026*	TTA1804*C, TTA2404*C
BAYVALV027*	TTA3004*C
<b>Low Ambient — On/Off Fan Control (External mount, small cabinets)① ② ③</b>	
BAYLOAMS10* (External Mount, small cabinets)④	(all voltages) TTA072, TTA090, TTA120, TTA150
BAYLOAMS20* (Internal mount, large cabinets)	(all voltages) TTA180, TTA240, TTA300
<b>Transducer Kit for Head Pressure Control (BAYLOAM10*)</b>	
BAYLOTR001*④	TTA072**D, TTA090**D, TTA120**D, TTA150**D
<b>LonTalk Communications Interface⑤</b>	
BAYLTCI005*	All Models
<b>Expansion Module Kit</b>	
BAYMODU002* (XM30)	All Models
BAYMODU004* (XM32)	All Models
<b>Coil / Hail Guards</b>	
BAYGARD068*	TTA072, TTA090
BAYGARD064*	TTA120
BAYGARD065*	TTA150
BAYGARD066*	TTA180, TTA240
BAYGARD067*	TTA300

① Cycles fan on/off (no modulating).

② When BAYLOAM is used, the Evaporator Defrost Control (EDC) must be disabled in the Symbio 700 controller configuration.

③ Kit mounts external to the outdoor unit and operates by sensing ambient and liquid line temperatures.

④ BAYLOTR001\* is required when BAYLOAMS10\* kits are used with units that have 2 compressors (dual circuit) and 1 condenser fan.

⑤ Field installed LonTalk interface requires installation of Symbio control board with Advanced Diagnostics (not included).

\* Information subject to change. Please confirm current product data within respective catalogs, IOMs or Trane Select Assist.



# Split System Cooling Three Phase – 6-25 Tons, R-410A

**Table LSC-4-A – Symbio™ Control Options**

Model Number	Description	Used With
BAYSENS107	Zone Sensor, Set Point Adj, Fan, System, EH, ED	TTA072-TTA300 with Symbio™ Controls
BAYSENS109	Zone Sensor, 2 Set Point Adj, Fan, System, EH, ED	TTA072-TTA300 with Symbio™ Controls
BAYSENS119	Digital Programmable Zone Sensor	TTA072-TTA300 with Symbio™ Controls
BAYSENS135	Digital Non-Programmable Zone Sensor	TTA072-TTA300 with Symbio™ Controls
BAYSENS106	Zone Sensor, Single Setpoint Manual Changeover	TTA072-TTA300 with Symbio™ Controls
BAYSENS108	Zone Sensor, 2 Set Point, Fan, System	TTA072-TTA300 with Symbio™ Controls
BAYSENS073	Room sensor w/override	TTA072-TTA300 with Symbio™ Controls
BAYSENS074	Room sensor w/temp adjust and override	TTA072-TTA300 with Symbio™ Controls
BAYSENS106	Single setpoint manual changeover	TTA072-TTA300 with Symbio™ Controls
BAYSENS108	Dual setpoint man/auto changeover	TTA072-TTA300 with Symbio™ Controls
BAYSENS110	Dual setpoint man/auto chgvr w/lights	TTA072-TTA300 with Symbio™ Controls
BAYSENS135	Digital display zone sensor	TTA072-TTA300 with Symbio™ Controls
BAYSENS050	Digital display wireless zone sensor	TTA072-TTA300 with Symbio™ Controls
BAYSEN30ATEMP	Remote wired ODT Sensor	TTA072-TTA300 with Symbio™ Controls
ZZSENSAL0300	Remote wired IDT sensor	TTA072-TTA300 with Symbio™ Controls
BAYSENS800 ①	Prog. Zone Temp Sensor	TTA072-TTA300 with Symbio™ Controls

① BAYSENS800 requires installation of Symbio control board with Advanced Diagnostics (not included).

\* Information subject to change. Please confirm current product data within respective catalogs, IOMs or Trane Select Assist.

**Table LSC-4-B – Electromechanical Control Options**

Model Number	Description	Used With
TCONT102AN11AA	1H/1C Non-Programmable Thermostat	TTA072A, TTA090A
TCONT103AN21HA	2H/1C Non-Programmable Thermostat	TTA072A, TTA090A
TCONT402AN32DA	3H/2C Non-Programmable Thermostat	ALL
TCONT202AS11MA	1H/1C Programmable Thermostat	TTA072A, TTA090A
TCONT302AS42DA	4H/2C Touchscreen Programmable Thermostat	ALL
TCONT303AS42DA	4H/2C Touchscreen Programmable Thermostat, Humidity Sensor	ALL
BAYSTAT814A	Pivot Smart Thermostat	ALL
TCONT200AN11A	1H/1C Digital Non-Programable Thermostat	TTA072A, TTA090A
TCONT202AS11M	1H/1C Non-Programmable Thermostat	TTA072A, TTA090A
TCONT203AS42M	4H/2C Non-Programmable Thermostat	TTA072A, TTA090A
TCONT302AS42D	4H/2C Touchscreen Programmable Thermostat	ALL
TCONT303AS42D	4H/2C Touchscreen Programmable Thermostat, Humidity Sensor	ALL
BAYSTAT814	Pivot Smart Thermostat-Electomechanical	ALL

\* Information subject to change. Please confirm current product data within respective catalogs, IOMs or Trane Select Assist.



# Odyssey with Symbio™ Heat Pumps Three Phase - 6-20, R-454B



**TWA – 6-20 Tons**

- Symbio™ controls (standard)
- (1) Scroll compressor (TWA072-120A)
- (2) Scroll compressors (TWA072-240D) with independent refrigerant circuits
- Single point power
- Compressor motor overload protection
- Compressor discharge temperature limit switch
- Control transformer
- High and low pressure cut-out switches
- Demand Defrost Control
- Internal pressure relief valves
- Electrical phase reversal protection
- Holding charge (Dry Nitrogen)
- Copper tube, aluminum plate fin coils
- Low ambient cooling to 50°F as shipped
- Low ambient cooling to 0°F with accessory head pressure control
- Mounting/lifting rails under base
- UL listed
- 5-year compressor warranty
- 1-year limited parts warranty
- Optional Extended Warranties

**Model Number Description – Heat Pump Condenser**

**Digit 1–3 – Unit Function**  
TWA = Split System Heat Pump

**Digit 4–6 – Tonnage**  
072 = 6 Tons (60Hz)  
090 = 7.5 Tons (60Hz)  
120 = 10 Tons (60Hz)  
180 = 15 Tons (60Hz)  
240 = 20 Tons (60Hz)

**Digit 7 – Refrigerant**  
K = R-454B

**Digit 8 – Voltage**  
3 = 208-230VAC - 3 PH (60Hz)  
4 = 460VAC - 3 PH (60Hz)  
W = 575VAC - 3 PH (60Hz)

**Digit 9 – Refrigeration Circuit/Stage**  
A = 1 Compressor/1 Line/1 Stage (Single)  
D = 2 Compressors/2 Line/2 Stage (Duals)

**Digit 10 – Major Design Sequence**  
A = Current Design Sequence

**Digit 11 – Minor Design Sequence**  
A = Current Design Sequence

**Digit 12–13 – Service Digits**

**Digit 14 – Efficiency Generation**  
B = Generation B

**Digit 15 – Controls**  
S = Symbio™

**Digit 16 – None**  
0 = Not Used

**Digit 17 – Coil Protection**

0 = Standard Coil  
1 = Standard Coil w/ Hail Guard  
2 = Black Epoxy Pre-Coated Condenser Coil (FIN/TUBE)  
3 = Black Epoxy Pre-Coated Condenser Coil with Hail Guard (FIN/TUBE)

**Digit 18-20 – None**  
0 = Not Used

**Digit 21 – Communications Options**

0 = No Option  
1 = Advanced Diagnostics and BACnet® BAS  
2 = Advanced Diagnostics and LonTalk® Communications Interface (LCI)

**Digit 22-40 – None**  
0 = Not Used

**Table LSH-1-A – TWA Split System Heat Pumps – Single Compressor with Single Refrigerant Circuit – R-454B Refrigerant**

Model Number	Power Supply	AHRI Net Cooling Cap. (BTUH)	Shipping Dimensions(in.)			Shipping Weight (lbs.)	MCA*	Max. Fuse*	Connection Size (in)	
			H	W	L				OD Gas	OD Liq.
TWA072K3A	208-230/3/60	79,000	45	45	39	360	36	60	1 <sup>3</sup> / <sub>8</sub>	1/2
TWA090K3A	208-230/3/60	92,000	45	45	39	395	38	60	1 <sup>3</sup> / <sub>8</sub>	1/2
TWA120K3A	208-230/3/60	125,000	52.1	55	42	495	45	70	1 <sup>3</sup> / <sub>8</sub>	1/2
TWA072K4A	460/3/60	79,000	45	45	39	360	15	25	1 <sup>3</sup> / <sub>8</sub>	1/2
TWA090K4A	460/3/60	92,000	45	45	39	395	17	25	1 <sup>3</sup> / <sub>8</sub>	1/2
TWA120K4A	460/3/60	125,000	52.1	55	42	495	24	35	1 <sup>3</sup> / <sub>8</sub>	1/2
TWA072KWA	575 / 3 / 60	79,000	45	45	39	360	13	20	1 <sup>3</sup> / <sub>8</sub>	1/2
TWA090KWA	575 / 3 / 60	92,000	45	45	39	395	16	25	1 <sup>3</sup> / <sub>8</sub>	1/2
TWA120KWA	575 / 3 / 60	125,000	52.1	55	42	495	20	30	1 <sup>3</sup> / <sub>8</sub>	1/2

**Table LSH-1-B – TWA Split System Heat Pumps – Dual Compressors with Two Sets of Refrigerant Circuits – R-454B Refrigerant**

Model Number	Power Supply	AHRI Net Cooling Cap. (BTUH)	Shipping Dimensions(in.)			Shipping Weight (lbs.)	MCA*	Max. Fuse*	Connection Size (in)	
			H	W	L				OD Gas	OD Liq.
TWA072K3D	208-230/3/60	81,000	45	55	42	434	35	45	7/8	1/2
TWA090K3D	208-230/3/60	101,000	45	55	42	484	35	45	1 <sup>1</sup> / <sub>8</sub>	1/2
TWA120K3D	208-230/3/60	126,000	52.1	55	42	487	39	50	1 <sup>1</sup> / <sub>8</sub>	1/2
TWA180K3D	208-230/3/60	194,000	51.1	96	48	874	74	100	1 <sup>1</sup> / <sub>8</sub>	1/2
TWA240K3D	208-230/3/60	258,000	51.1	96	48	1004	93	125	1 <sup>3</sup> / <sub>8</sub>	5/8
TWA072K4D	460/3/60	81,000	45	55	42	434	17	20	7/8	1/2
TWA090K4D	460/3/60	101,000	45	55	42	484	18	20	1 <sup>1</sup> / <sub>8</sub>	1/2
TWA120K4D	460/3/60	126,000	52.1	55	42	487	21	25	1 <sup>1</sup> / <sub>8</sub>	1/2
TWA180K4D	460/3/60	194,000	51.1	96	48	874	33	40	1 <sup>1</sup> / <sub>8</sub>	1/2
TWA240K4D	460/3/60	258,000	51.1	96	48	1004	46	60	1 <sup>3</sup> / <sub>8</sub>	5/8
TWA072KWD	575 / 3 / 60	81,000	45	55	42	434	15	20	7/8	1/2
TWA090KWD	575 / 3 / 60	101,000	45	55	42	484	18	20	1 <sup>1</sup> / <sub>8</sub>	1/2
TWA120KWD	575 / 3 / 60	126,000	52.1	55	42	487	18	20	1 <sup>1</sup> / <sub>8</sub>	1/2
TWA180KWD	575 / 3 / 60	194,000	51.1	96	48	874	28	35	1 <sup>1</sup> / <sub>8</sub>	1/2
TWA240KWD	575 / 3 / 60	258,000	51.1	96	48	1004	36	45	1 <sup>3</sup> / <sub>8</sub>	5/8

\* Information subject to change. Please confirm current product data within respective catalogs, IOMs or Trane Select Assist.



# Odyssey with Symbio™ Heat Pump Three Phase – 6-20 Tons, R-454B Accessories

**Table LSH-2-A – TWA Accessories**

Model	Used With
<b>Rubber Isolators</b>	
BAYISLT005*(black)	TWA072,TWA090,TWA120
BAYISLT009*(red)	TWA180
BAYISLT010*(green)	TWA240
<b>Steel Spring Isolators</b>	
BAYISLT023*(red)	TWA072,TWA090,TWA120
BAYISLT024*(black)	TWA180
BAYISLT025*(yellow)	TWA240
<b>Service Valve Kit</b>	
BAYVALV020*	TWA072K*A,TWA120K*A
BAYVALV021*	TWA090K*A
BAYVALV022*	TWA072K*D,TWA090K*D,TWA120K*D
BAYVALV025*	TWA180K*D,TWA240K*D
<b>Low Ambient – On/OffFanControl ①②</b>	
BAYLOAMS10*(ExternalMount,smallcabinets) ②	TWA072,TWA090,TWA120 (All Voltages)
BAYLOAMS20*(Internalmount,largecabinets)	TWA180,TWA240 (All Voltages)
<b>Transducer Kit for Head Pressure Control (BAYLOAMS10*)</b>	
BAYLOTR001* ④	TWA072**D,TWA090**D,TWA120**D
<b>LonTalk Communications Interface ⑤</b>	
BAYLTCI005*	All Models
<b>Expansion Module Kit</b>	
BAYMODU002*(XM30)	All Models
BAYMODU004*(XM32)	All Models
<b>Expansion Module Kit</b>	
BAYGARD068*	TWA072**A,TWA090**A
BAYGARD064*	TWA072**D,TWA090**D
BAYGARD065*	TWA120
BAYGARD066*	TTA180,TTA240

① cycles fan on/off (no modulating)

② When BAYLOAM is used, the evaporator defrost control (EDC) must be disabled in the Symbio700 controller configuration

③ Kit mounts external to the outdoor unit and operates by sensing ambient temperature and discharge pressure

④ BAYLOTR001\* required when BAYLOAMS10\* kits are used with units that have 2 compressors (Dual Circuit) and 1 condenser fan

⑤ Field Installed LonTalk Interface requires installation of Symbio control board with advanced diagnostics (not included)

**Table LSH-2-B – Controls**

Model Number	Description	Used With
BAYLTCI005*	LonTalk® Communication Interface (LCI)	TWA072-TWA240

\* Information subject to change. Please confirm current product data within respective catalogs, IOMs or Trane Select Assist.



# Odyssey with Symbio™ Heat Pumps Three Phase - 6-20 Tons, R-410A



TWA – 6-20 Tons

- Symbio™ controls (standard)
- (1) Scroll compressor (TWA072-120A)
- (2) Scroll compressors (TWA072-240D) with independent refrigerant circuits
- Single point power
- Compressor motor overload protection
- Compressor discharge temperature limit switch
- Control transformer
- High and low pressure cut-out switches
- Demand Defrost Control
- Internal pressure relief valves
- Electrical phase reversal protection
- Holding charge (Dry Nitrogen)
- Copper tube, aluminum plate fin coils
- Low ambient cooling to 50°F as shipped
- Low ambient cooling to 0°F with accessory head pressure control
- Mounting/lifting rails under base
- UL listed
- 5-year compressor warranty
- 1-year limited parts warranty
- Optional Extended Warranties

## Model Number Description – Heat Pump Condenser

### Digit 1–3 – Unit Function

TWA = Split System Heat Pump

### Digit 4–6 – Tonnage

072 = 6 Tons (60Hz)  
090 = 7.5 Tons (60Hz)  
120 = 10 Tons (60Hz)  
180 = 15 Tons (60Hz)  
240 = 20 Tons (60Hz)

### Digit 7 – Refrigerant

4 = R-410A

### Digit 8 – Voltage

3 = 208-230VAC - 3 PH (60Hz)  
4 = 460VAC - 3 PH (60Hz)  
W = 575VAC - 3 PH (60Hz)

### Digit 9 – Refrigeration Circuit/Stage

A = 1 Compressor/1 Line/1 Stage (Single)  
D = 2 Compressors/2 Line/2 Stage (Duals)

### Digit 10 – Major Design Sequence

A = Current Design Sequence

### Digit 11 – Minor Design Sequence

A = 2024 Design Sequence  
C = 2025 Design Sequence

### Digit 12–13 – Service Digits

Digit 14 – Efficiency Generation  
B = Generation B

### Digit 15 – Controls

S = Symbio™

### Digit 16 – None

0 = Not Used

### Digit 17 – Coil Protection

1 = Standard Coil w/ Hail Guard  
3 = Black Epoxy Pre-Coated Condenser Coil with Hail Guard (FIN/TUBE)

### Digit 18–20 – None

0 = Not Used

### Digit 21 – Communications Options

0 = Basic Controller – No Communication  
1 = Advanced Controller - BACnet® BAS  
2 = Advanced Controller - LonTalk®

### Digit 22–40 – None

0 = Not Used

Table LSH-1-A – TWA Split System Heat Pumps – Single Compressor with Single Refrigerant Circuit – R-410 Refrigerant

Model Number	Power Supply	AHRI Net Cooling Cap. (BTUH)	Shipping Dimensions(in.)			Shipping Weight (lbs.)	Sound <sup>Ⓞ</sup> Rating	MCA*	Max. Fuse*	Connection Size (in)	
			H	W	L					OD Gas	OD Liq.
TWA07243A	208-230/3/60	78,000	45	45	39	360	84	31	50	1 <sup>3</sup> / <sub>8</sub>	1 <sup>1</sup> / <sub>2</sub>
TWA09043A	208-230/3/60	90,000	45	45	39	382	83	36	60	1 <sup>3</sup> / <sub>8</sub>	1 <sup>1</sup> / <sub>2</sub>
TWA12043A	208-230/3/60	123,000	52.1	55	42	495	90	45	70	1 <sup>3</sup> / <sub>8</sub>	1 <sup>1</sup> / <sub>2</sub>
TWA07244A	460/3/60	78,000	45	45	39	360	84	14	20	1 <sup>3</sup> / <sub>8</sub>	1 <sup>1</sup> / <sub>2</sub>
TWA09044A	460/3/60	90,000	45	45	39	382	83	16	25	1 <sup>3</sup> / <sub>8</sub>	1 <sup>1</sup> / <sub>2</sub>
TWA12044A	460/3/60	123,000	52.1	55	42	495	90	21	35	1 <sup>3</sup> / <sub>8</sub>	1 <sup>1</sup> / <sub>2</sub>
TWA0724WA	575/3/60	78,000	45	45	39	360	84	11	15	1 <sup>3</sup> / <sub>8</sub>	1 <sup>1</sup> / <sub>2</sub>
TWA0904WA	575/3/60	90,000	45	45	39	382	83	12	20	1 <sup>3</sup> / <sub>8</sub>	1 <sup>1</sup> / <sub>2</sub>
TWA1204WA	575/3/60	123,000	52.1	55	42	495	90	22	35	1 <sup>3</sup> / <sub>8</sub>	1 <sup>1</sup> / <sub>2</sub>

Table LSH-1-B – TWA Split System Heat Pumps – Dual Compressors with Two Sets of Refrigerant Circuits – R-410 Refrigerant

Model Number	Power Supply	AHRI Net Cooling Cap. (BTUH)	Shipping Dimensions(in.)			Shipping Weight (lbs.)	Sound <sup>Ⓞ</sup> Rating	MCA*	Max. Fuse*	Connection Size (in)	
			H	W	L					OD Gas	OD Liq.
TWA07243D	208-230/3/60	77,000	45	55	42	413	84	26	35	7 <sup>7</sup> / <sub>8</sub>	1 <sup>1</sup> / <sub>2</sub>
TWA09043D	208-230/3/60	94,000	45	55	42	466	83	32	40	1 <sup>1</sup> / <sub>8</sub>	1 <sup>1</sup> / <sub>2</sub>
TWA12043D	208-230/3/60	120,000	52.1	55	42	478	90	42	50	1 <sup>1</sup> / <sub>8</sub>	1 <sup>1</sup> / <sub>2</sub>
TWA18043D	208-230/3/60	192,000	51.1	96	48	874	93	65	80	1 <sup>1</sup> / <sub>8</sub>	1 <sup>1</sup> / <sub>2</sub>
TWA24043D	208-230/3/60	250,000	51.1	96	48	1003	94	87	110	1 <sup>3</sup> / <sub>8</sub>	5 <sup>7</sup> / <sub>8</sub>
TWA07244D	460/3/60	77,000	45	55	42	413	84	14	15	7 <sup>7</sup> / <sub>8</sub>	1 <sup>1</sup> / <sub>2</sub>
TWA09044D	460/3/60	94,000	45	55	42	466	83	15	20	1 <sup>1</sup> / <sub>8</sub>	1 <sup>1</sup> / <sub>2</sub>
TWA12044D	460/3/60	120,000	52.1	55	42	478	90	20	25	1 <sup>1</sup> / <sub>8</sub>	1 <sup>1</sup> / <sub>2</sub>
TWA18044D	460/3/60	192,000	51.1	96	48	874	93	32	40	1 <sup>1</sup> / <sub>8</sub>	1 <sup>1</sup> / <sub>2</sub>
TWA24044D	460/3/60	250,000	51.1	96	48	1003	94	40	60	1 <sup>3</sup> / <sub>8</sub>	5 <sup>7</sup> / <sub>8</sub>
TWA0724WD	575/3/60	77,000	45	55	42	413	84	10	15	7 <sup>7</sup> / <sub>8</sub>	1 <sup>1</sup> / <sub>2</sub>
TWA0904WD	575/3/60	94,000	45	55	42	466	83	11	15	1 <sup>1</sup> / <sub>8</sub>	1 <sup>1</sup> / <sub>2</sub>
TWA1204WD	575/3/60	120,000	52.1	55	42	478	90	14	15	1 <sup>1</sup> / <sub>8</sub>	1 <sup>1</sup> / <sub>2</sub>
TWA1804WD	575/3/60	192,000	51.1	96	48	874	93	24	30	1 <sup>3</sup> / <sub>8</sub>	1 <sup>1</sup> / <sub>2</sub>
TWA2404WD	575/3/60	250,000	51.1	96	48	1003	94	33	45	1 <sup>3</sup> / <sub>8</sub>	5 <sup>7</sup> / <sub>8</sub>

Ⓞ Sound rating shown is tested in accordance with ARI Standard 270 or 370.

\* Information subject to change. Please confirm current product data within respective catalogs, IOMs or Trane Select Assist.

For complete equipment / combination selections, installation instructions and warranty information, please refer to Product Data/Ratings and/or Installers Guides and Limited Warranty Handbooks.

R-410A LSH-1

Effective 1/1/26  
22-8301-39



It's Hard To Stop A Trane.®

# Odyssey with Symbio™ Heat Pump Three Phase – 6-20 Tons, R-410A Accessories

**Table LSH-2-A – TWA Accessories**

Model	Used With
<b>Rubber Isolators</b>	
BAYISLT005* (black)	TWA072, TWA090, TWA120
BAYISLT009* (red)	TWA180
BAYISLT010* (green)	TWA240
<b>Steel Spring Isolators</b>	
BAYISLT023* (red)	TWA072, TWA090, TWA120
BAYISLT024* (black)	TWA180
BAYISLT025* (yellow)	TWA240
<b>Service Valve Kit</b>	
BAYVALV020*	TWA0724*A, TWA1204*A
BAYVALV021*	TWA0904*A
BAYVALV022*	TWA0724*D, TWA0904*D, TWA1204*D
BAYVALV025*	TWA01804*D, TWA2404*D
<b>Low Ambient – On/Off Fan Control (External mount, small cabinets)① ② ③</b>	
BAYLOAMS10** (External Mount, small cabinets)④	(all voltages) TWA072**A, TWA090**A
BAYLOAMS20* (Internal mount, large cabinets)	(all voltages) TWA120, TWA180, TWA240
<b>Transducer Kit for Head Pressure Control (BAYLOAM335, 336, 435, 436, W36)</b>	
BAYLOTR001*⑤	TWA072**D, TWA090**D, TWA120**D
<b>LonTalk Communications Interface⑥</b>	
BAYLTCI005*	All Models
<b>Coil/Hail Guards</b>	
BAYGARD068*	TWA072**A, TWA090**A
BAYGARD064*	TWA072**D, TWA090**D
BAYGARD065*	TWA120
BAYGARD066*	TWA180, TWA240

① Cycles fan on/off (no modulating).

② When BAYLOAM is used, the Evaporator Defrost Control (EDC) must be disabled in the Symbio 700 controller configuration.

③ Kit mounts external to the outdoor unit and operates by sensing ambient and liquid line temperatures.

④ BAYLOTR001\* required when modulating BAYLOAMS10\* kits used with units that have 2 compressors (dual circuit) and 1 condenser fan.

⑤ BAYLOTR001 required when modulating BAYLOAM kits used with units that have 2 compressors (dual circuit) and 1 condenser fan.

⑥ Field Installed LonTalk interface requires installation of Symbio control board with Advanced Diagnostic (not included).

**Table LSH-2-B – Controls**

Model Number	Description	Used With
BAYLTCI005*	LonTalk® Communication Interface (LCI)	TWA072-TWA240

\* Information subject to change. Please confirm current product data within respective catalogs, IOMs or Trane Select Assist.



# Odyssey with Symbio™ Air Handlers

## Single Phase - 5, 7.5, and 10 Tons, R-454B

## Three Phase – 5-25 Tons, R-454B



**TWE - 5-25 Ton  
Convertible Air Handlers  
(Upflow or Horizontal Only)**

- Ships in horizontal configuration, but quickly and easily converts to upflow
- Expansion valve factory installed
- Check valves for heat pump applications
- Belt drive blower
- Factory installed motor, belt, sheaves, contactor, low voltage terminal board
- One inch filters on 5 to 10 ton units (rack convertible for field supplied two inch)
- Captive screws remain on the panels for service ease
- Low voltage terminal board
- Drain Pan
- Factory Installed (EDC) Evaporator Defrost Control
- IAQ (Indoor Air Quality) sloped/free draining pan, no standing water
- Two inch filters factory installed on 12½, 15, 20, 25 ton units
- Leak Detection Sensors Standard
- Supplemental heaters (electric, water, steam) fits directly on unit discharge for low installation cost
- Single point power entry for reduced electrical power installation cost
- Unit fully assembled to reduce field installation costs
- Compact design with low service clearance to reduce building requirements
- Brazed refrigerant piping connections
- Fan relay UL listed and CSA Certified
- Factory installed 2 speed variable frequency drive (VFD) option available for enhanced part load performance and REQUIRED for CA Title 24 Compliance
- Factory installed Single Zone VAV (SZVAV) option available for enhanced part load performance and space temperature control via varying airflow
- Optional extended warranties

### Model Number Description — Cooling Condenser

#### Digit 1-3 — Unit Function

TWE = Air Handler

#### Digit 4-6 — Tonnage

060 = 5 Tons (60Hz)

072 = 6 Tons (60Hz)

090 = 7.5 Tons (60Hz)

120 = 10 Tons (60Hz)

150 = 12.5 Tons (60Hz)

180 = 15 Tons (60Hz)

240 = 20 Tons (60Hz)

300 = 25 Tons (60Hz)

#### Digit 7 — Refrigerant

K = R-454B

#### Digit 8 — Voltage

1 = 208-230 VAC - 1 PH (60 Hz)

3 = 208-230VAC - 3 PH (60Hz)

4 = 460VAC - 3 PH (60Hz)

W = 575VAC - 3 PH (60Hz)

#### Digit 9 — Refrigeration Circuit/Stage

A = Single Circuit

B = Dual Circuit

#### Digit 10 — Major Design Sequence

A = Current Design Sequence

#### Digit 11 — Minor Design Sequence

A = Current Design Sequence

#### Digit 12-13 — Service Digits

00 = 00

#### Digit 14 — Efficiency Generation

B = Generation B

#### Digit 15 — Controls

1 = Constant Volume

C = 2-Speed Airflow

D = SZVAV (not for 24V T-stat)

#### Digit 16 — Indoor Fan Sizes

0 = Standard Motor

4 = High Static – (Oversized Motor for VFD Units)

#### Digit 17-40 — None

0 = None

**Table LAH-1-A — Single Circuit Coil - R-454B<sup>Ⓢ</sup>**

Tons	Unit Model No.	Power Supply Volts/Phase/Hz	FCCV	Drive Type	Dimensions (in) H x W x D <sup>Ⓢ</sup>	Shipping Weight (lbs)	MCA*	Max Fuse Size or Max Circuit Breaker <sup>Ⓢ*</sup>
<b>Single Phase</b>								
5	TWE060K1A	208-230/1/60	TXV	Belt	48 x 39 x 23	285	8	15
7 ½	TWE090K1A <sup>Ⓢ</sup>	208-230/1/60	TXV	Belt	54 x 49 x 26	385	10	15
10	TWE120K1A <sup>Ⓢ</sup>	208-230/1/60	TXV	Belt	54 x 65 x 26	441	14	20
<b>Three Phase</b>								
5	TWE060K3A	208-230/3/60	TXV	Belt	48 x 39 x 23	285	4	15
5	TWE060K4A	460/3/60	TXV	Belt	48 x 39 x 23	285	2	15
5	TWE060KWA	575 / 3/ 60	TXV	Belt	48 x 39 x 23	285	2	15
7 ½	TWE090K3A <sup>Ⓢ</sup>	208-230/3/60	TXV	Belt	54 x 49 x 26	398	9	15
7 ½	TWE090K4A <sup>Ⓢ</sup>	460/3/60	TXV	Belt	54 x 49 x 26	398	5	15
7 ½	TWE090KWA	575 / 3/ 60	TXV	Belt	54 x 49 x 26	398	4	15
10	TWE120K3A <sup>Ⓢ</sup>	208-230/3/60	TXV	Belt	54 x 65 x 26	454	9	15
10	TWE120K4A <sup>Ⓢ</sup>	460/3/60	TXV	Belt	54 x 65 x 26	454	5	15
10	TWE120KWA	575 / 3/ 60	TXV	Belt	54 x 65 x 26	454	4	15

<sup>Ⓢ</sup> Control transformer not included. Order control transformer accessory when matching these air handlers with 3-5 ton condensing units.

<sup>Ⓢ\*</sup> HACR type circuit breaker per NEC.

<sup>Ⓢ</sup> Dimensions based on Upflow position.

<sup>Ⓢ</sup> All air handlers are shipped with the drain pan installed in the horizontal position. For vertical configuration, the drain pan should be repositioned before setting the air handler.

\* Information subject to change. Please confirm with current Product Data/Service Facts for current factory production.



It's Hard To Stop A Trane.®

# Odyssey with Symbio™ Air Handlers

## Single Phase - 5, 7.5, and 10 Tons, R-454B

## Three Phase – 5-25 Tons, R-454B



### TWE - 5-25 Ton Convertible Air Handlers (Upflow or Horizontal Only)

- Ships in horizontal configuration, but quickly and easily converts to upflow
- Expansion valve factory installed
- Check valves for heat pump applications

- Belt drive blower
- Factory installed motor, belt, sheaves, contactor, low voltage terminal board
- One inch filters on 5 to 10 ton units (rack convertible for field supplied two inch)
- Captive screws remain on the panels for service ease
- Low voltage terminal board
- Drain Pan
- Factory Installed (EDC) Evaporator Defrost Control
- IAQ (Indoor Air Quality) sloped/free draining pan, no standing water
- Two inch filters factory installed on 12½, 15, 20, 25 ton units
- Supplemental heaters (electric, water, steam) fits directly on unit discharge for low installation cost
- Single point power entry for reduced electrical power installation cost

- Unit fully assembled to reduce field installation costs
- Compact design with low service clearance to reduce building requirements
- Brazed refrigerant piping connections
- Fan relay UL listed and CSA Certified
- Factory installed 2 speed variable frequency drive (VFD) option available for enhanced part load performance and REQUIRED for CA Title 24 Compliance®
- Factory installed Single Zone VAV (SZVAV) option available for enhanced part load performance and space temperature control via varying airflow®
- Optional extended warranties

#### Model Number Description – Cooling Condenser

**Digit 1-3 – Unit Function**  
TWE = Air Handler

**Digit 7 – Refrigerant**  
K = R-454B

**Digit 10 – Major Design Sequence**  
A = Current Design Sequence

**Digit 15 – Controls**

**Digit 4-6 – Tonnage**

**Digit 8 – Voltage**

**Digit 11 – Minor Design Sequence**  
A = Current Design Sequence

1 = Constant Volume Symbio  
C = 2 Speed (Electromechanical™ Condenser Only)  
D = Single Zone VAV (Symbio™ Condenser Only, not for 24V t-stat control)

060 = 5 Tons (60Hz)  
072 = 6 Tons (60Hz)  
090 = 7.5 Tons (60Hz)  
120 = 10 Tons (60Hz)  
150 = 12.5 Tons (60Hz)  
180 = 15 Tons (60Hz)  
240 = 20 Tons (60Hz)  
300 = 25 Tons (60Hz)

1 = 208-230VAC - 1 PH (60Hz)  
3 = 208-230VAC - 3 PH (60Hz)  
4 = 460VAC - 3 PH (60Hz)  
W = 575VAC - 3 PH (60Hz)

**Digit 12-13 – Service Digits**  
00 = 00

**Digit 16 – Indoor Fan Sizes**

0 = Standard Motor  
4 = High Static – (Oversized Motor for VFD Units)  
**Digit 17-40 – None**  
0 = None

**Digit 9 – Refrigeration Circuit/Stage**  
A = Single Circuit  
B = Dual Circuit

**Digit 14 – Efficiency Generation**  
B = Generation B

**Table LAH-2-A – Dual Circuit Coil – R-454B ①**

Tons	Unit Model No.	Power Supply Volts/Phase/Hz	FCCV	Drive Type	Dimensions (in) H x W x D ③	Shipping Weight (lbs)	MCA*	Max Fuse Size or Max Circuit Breaker ④*
<b>Single Phase</b>								
5	TWE060K1B	208-230/1/60	TXV	Belt	48 x 39 x 23	285	8	15
7 ½	TWE090K1B ①	208-230/1/60	TXV	Belt	54 x 49 x 26	385	10	15
10	TWE120K1B ①	208-230/1/60	TXV	Belt	54 x 65 x 26	441	14	20
<b>Three Phase</b>								
5	TWE060K3B	208-230/3/60	TXV	Belt	48 x 39 x 23	285	4	15
5	TWE060K4B	460/3/60	TXV	Belt	48 x 39 x 23	285	2	15
5	TWE060KWB	575 / 3/ 60	TXV	Belt	48 x 39 x 23	285	2	15
6	TWE072K3B	208-230/3/60	TXV	Belt	54 x 49 x 26	398	9	15
6	TWE072K4B	460/3/60	TXV	Belt	54 x 49 x 26	398	5	15
6	TWE072KWB	575 / 3/ 60	TXV	Belt	54 x 49 x 26	398	4	15
7 ½	TWE090K3B	208-230/3/60	TXV	Belt	54 x 49 x 26	398	9	15
7 ½	TWE090K4B	460/3/60	TXV	Belt	54 x 49 x 26	398	5	15
7 ½	TWE090KWB	575 / 3/ 60	TXV	Belt	54 x 49 x 26	398	4	15
10	TWE120K3B	208-230/3/60	TXV	Belt	54 x 65 x 26	454	9	15
10	TWE120K4B	460/3/60	TXV	Belt	54 x 65 x 26	454	5	15
10	TWE120KWB	575 / 3/ 60	TXV	Belt	54 x 65 x 26	454	4	15
12 ½	TWE150K3B	208-230/3/60	TXV	Belt	69 x 81 x 30	766	9	15
12 ½	TWE150K4B	460/3/60	TXV	Belt	69 x 81 x 30	766	5	15
12 ½	TWE150KWB	575 / 3/ 60	TXV	Belt	69 x 81 x 30	766	4	15
15	TWE180K3B	208-230/3/60	TXV	Belt	69 x 81 x 30	765	13	20
15	TWE180K4B	460/3/60	TXV	Belt	69 x 81 x 30	765	7	15
15	TWE180KWB	575 / 3/ 60	TXV	Belt	69 x 81 x 30	765	5	15
20	TWE240K3B	208-230/3/60	TXV	Belt	72 x 94 x 32	925	19	30
20	TWE240K4B	460/3/60	TXV	Belt	72 x 94 x 32	925	9	15
20	TWE240KWB	575 / 3/ 60	TXV	Belt	72 x 94 x 32	925	8	15
25	TWE300K3B	208-230/3/60	TXV	Belt	72 x 94 x 32	1015	29	50
25	TWE300K4B	460/3/60	TXV	Belt	72 x 94 x 32	1015	13	20
25	TWE300KWB	575 / 3/ 60	TXV	Belt	72 x 94 x 32	1015	11	15

① Control transformer not included. Order control transformer accessory when matching these air handlers with 3-5 ton condensing units.

② HACR type circuit breaker per NEC.

③ Dimensions based on Upflow position.

④ All air handlers are shipped with the drain pan installed in the horizontal position. For vertical configuration, the drain pan should be repositioned before setting the air handler.

⑤ 460V motors (digit 8=4) are only available on TWE150E and TWE180 when Title 24 or SZVAV is selected in digits 9 and 10.

\* Information subject to change. Please confirm with current Product Data/Service Facts for current factory production.

For complete equipment / combination selections, installation instructions and warranty information, please refer to Product Data/Ratings and/or Installers Guides and Limited Warranty Handbooks.



# Odyssey with Symbio™

## Air Handlers, R-454B Electric Heaters

### Single Phase - 5, 7.5, and 10 Tons, R-454B

### Three Phase – 5-25 Tons, R-454B

**Table LAH-3-A – TWE 5 - 10 Ton Electric Heater Selection**

Model Number	Description	Used With
BAYHTRP106*	4.33/5.76kW Heater 208/240/1Phase	TWE060*1, TWE090*1, TWE120*1
BAYHTRS112*	8.65/11.52kW Heater 208/240/1Phase	TWE060*1, TWE090*1, TWE120*1
BAYHTRT117*	12.98/17.28kW Heater 208/240/1Phase	TWE060*1, TWE090*1, TWE120*1
BAYHTRS123*	17.31/23.04kW Heater 208/240/1Phase	TWE060*1, TWE090*1, TWE120*1
BAYHTRP129*	21.63/28.80kW Heater 208/240/1Phase	TWE090*1, TWE120*1
BAYHTRP305*	3.76/5.00kW Heater 208/240/3Phase	TWE060*3(CVANDOSMTR), TWE072*3B, TWE090*3, TWE120*3(VFD)
BAYHTRS310*	7.48/9.96kW Heater 208/240/3Phase	TWE060*3(CVANDOSMTR), TWE072*3B, TWE090*3, TWE120*3(VFD)
BAYHTRS315*	11.24/14.96kW Heater 208/240/3Phase	TWE060*3(CVANDOSMTR), TWE072*3B, TWE090*3, TWE120*3(VFD)
BAYHTRP325*	18.72/24.92kW Heater 208/240/3Phase	TWE060*3(CVANDOSMTR), TWE072*3B, TWE090*3, TWE120*3(VFD)
BAYHTRP335*	26.20/34.88kW Heater 208/240/3Phase	TWE090*3, TWE120*3(VFD)
BAYHTRP405*	5.00kW Heater 460/3Phase	TWE060*4(CVANDOSMTR), TWE072*4*****C/D, TWE090*4*****C/D, TWE120*4*****C/D
BAYHTRS410*	9.96kW Heater 460/3Phase	TWE060*4(CVANDOSMTR), TWE072*4*****C/D, TWE090*4*****C/D, TWE120*4*****C/D
BAYHTRS415*	14.96kW Heater 460/3Phase	TWE060*4(CVANDOSMTR), TWE072*4*****C/D, TWE090*4*****C/D, TWE120*4*****C/D
BAYHTRP425*	24.92kW Heater 460/3Phase	TWE060*4(CVANDOSMTR), TWE072*4*****C/D, TWE090*4*****C/D, TWE120*4*****C/D
BAYHTRP435*	34.88kW Heater 460/3Phase	TWE090*4*****C/D, TWE120*4*****C/D
BAYHTRPW05*	5kW Heater 575V/3-Phase	TWE060*W (CV AND OS MTR), TWE072*W, TWE090*W, TWE120*W (VFD)
BAYHTRSW10*	9.96kW Heater 575V/3-Phase	TWE060*W (CV AND OS MTR), TWE072*W, TWE090*W, TWE120*W (VFD)
BAYHTRSW15*	14.96kW Heater 575V/3-Phase	TWE060*W (CV AND OS MTR), TWE072*W, TWE090*W, TWE120*W (VFD)
BAYHTRPW25*	24.92kW Heater 575V/3-Phase	TWE060*W (CV AND OS MTR), TWE072*W, TWE090*W, TWE120*W (VFD)
BAYHTRPW35*	24.92kW Heater 575V/3-Phase	TWE090*W, TWE120*W (VFD)

**Table LAH-3-B – TWE 12½ - 20 Ton Electric Heater Selection**

Model Number	Description	Used With
BAYHTRT310*	7.51/10.0kW Heater 208/2303Phase	TWE150*3, TWE180*3, TWE240*3, TWE300*3(VFD)
BAYHTRR320*	14.96/19.92kW Heater 208/2303Phase	TWE150*3, TWE180*3, TWE240*3, TWE300*3(VFD)
BAYHTRR330*	22.47/29.92kW Heater 208/2303Phase	TWE150*3, TWE180*3, TWE240*3, TWE300*3(VFD)
BAYHTRR350*	37.44/49.84kW Heater 208/2303Phase	TWE150*3, TWE180*3, TWE240*3, TWE300*3(VFD)
BAYHTRT410*	10.0kW Heater 460/3Phase	TWE150*4*****C/D, TWE180*4*****C/D, TWE240*4(VFD), TWE300*4(VFD)
BAYHTRR420*	19.92kW Heater 460/3Phase	TWE150*4*****C/D, TWE180*4*****C/D, TWE240*4(VFD), TWE300*4(VFD)
BAYHTRR430*	29.92kW Heater 460/3Phase	TWE150*4*****C/D, TWE180*4*****C/D, TWE240*4(VFD), TWE300*4(VFD)
BAYHTRR450*	49.84kW Heater 460/3Phase	TWE150*4*****C/D, TWE180*4*****C/D, TWE240*4(VFD), TWE300*4(VFD)
BAYHTRTW10*	10kW Heater 575V/3-Phase	TWE150*W, TWE180*W, TWE240*W, TWE300*W (VFD)
BAYHTRRW20*	19.92 kW Heater 575V/3-Phase	TWE150*W, TWE180*W, TWE240*W, TWE300*W (VFD)
BAYHTRRW30*	29.92 kW Heater 575V/3-Phase	TWE150*W, TWE180*W, TWE240*W, TWE300*W (VFD)
BAYHTRRW50*	49.84kW Heater 575V/3-Phase	TWE150*W, TWE180*W, TWE240*W, TWE300*W (VFD)

Note: Electric Heaters are not available for 380/60Hz

\* Information subject to change. Please confirm current product data within respective catalogs, IOMs or Trane Select Assist.



It's Hard To Stop A Trane.®

# Odyssey with Symbio™

## Air Handlers, R-454B Electric Heaters

### Single Phase - 5, 7.5, and 10 Tons, R-454B

### Three Phase - 5-25 Tons, R-454B

**Table LAH-4-A – 5 – 20 Ton Accessory Selection**

Model Number	Used With
<b>Base / Subbase</b>	
BAYBASE009*	TWE060
BAYBASE0010*	TWE072, TWE090
BAYBASE0011*	TWE120
BAYBASE0012*	TWE150, TWE180
BAYBASE0013*	TWE240, TWE300
<b>Drip Kit</b>	
BAYDRKT006*	TWE060
BAYDRKT007*	TWE072, TWE090
BAYDRKT008*	TWE120
BAYDRKT009*	TWE150, TWE180
BAYDRKT010*	TWE240, TWE300
<b>Rubber Isolators ① ② ③</b>	
BAYISLT004* (Floor – Blue)	TWE060, TWE072, TWE090, TWE120
BAYISLT009* (Floor – Red) ④	TWE150, TWE180
BAYISLT010* (Floor – Green) ④①	TWE240, TWE300
BAYISLT012* (Suspended – Red/Green)	TWE150, TWE180
BAYISLT013* (Suspended – Red/Green) ③	TWE060
BAYISLT014* (Suspended – Green) ③	TWE072, TWE090
BAYISLT015* (Suspended – Green/Black) ③	TWE120
BAYISLT016* (Suspended – Red/Green)	TWE240, TWE300
<b>Steel Spring Isolators ②</b>	
BAYISLT019* (Floor – Red) ③①	TWE060, TWE072, TWE090, TWE120
BAYISLT021* (Floor – Black) ③①	TWE150, TWE180
BAYISLT032* (Floor – Black/Yellow) ③①	TWE240, TWE300
BAYISLT028* (Suspended – Tan)	TWE060
BAYISLT029* (Suspended – Red)	TWE072, TWE090, TWE120
BAYISLT030* (Suspended – Black)	TWE150, TWE180
BAYISLT031* (Suspended – Black/Yellow)	TWE240, TWE300
<b>Duct Flange Kit</b>	
BAYDUCT010*	TWE051, TWE060, TWE072, TWE076, TWE090, TWE101, TWE120
BAYDUCT020*	TWE126, TWE150, TWE156, TWE180, TWE201, TWE240, TWE251, TWE300
<b>Filters - 2" MERV 13</b>	
BAYFILT006*	TWE060
BAYFILT007*	TWE072, TWE090
BAYFILT008*	TWE120
BAYFILT009*	TWE150, TWE180
BAYFILT010*	TWE240, TWE300
<b>Return Air Grille</b>	
BAYGRLE001*	TWE060
BAYGRLE002*	TWE072, TWE090
BAYGRLE003*	TWE120
BAYGRLE004*	TWE150, TWE180
BAYGRLE005*	TWE240, TWE300
<b>Symbio™ Indoor Options Module Kit</b>	
BAYMODU001*	All TWE units with Digit 15 = 1 and Electric heater installed

① Requires use of subbase accessory.

② In units with steam or hot water coils applied vertically or horizontally, check IOM for proper Isolator Kits election.

③ Do not use if blower will operate less than 600 RPM.

④ When the air handler is in the vertical position and close proximity trapping of condensate is required, use of subbase is required.

⑤ When installed horizontally, plenum/water coil must be self-supported. When adding vibration isolators, see Isolator Installation Guide (ACC-SVN92\*-EN) for isolator and location matrix.

⑥ Can not be used on TWE150-300, due to motor mount location. Only available for Constant Volume Units.



# Odyssey with Symbio™

## Air Handlers, R-454B Electric Heaters

### Single Phase - 5, 7.5, and 10 Tons, R-454B

### Three Phase - 5-25 Tons, R-454B

**Table LAH-5-A – TWE 5 - 20 Ton Accessory Selection**

Model Number	Used With
<b>Plenum</b>	
BAYPLNM015* (Discharge Plenum & Grille) ⑤	TWE060
BAYPLNM016* (Discharge Plenum & Grille) ⑤	TWE072, TWE090
BAYPLNM017* (Discharge Plenum & Grille) ⑤	TWE120
BAYPLNM018* (Discharge Plenum/Hydronic Coil Plenum & Grille) ⑤	TWE150, TWE180
BAYPLNM019* (Discharge Plenum/Hydronic Coil Plenum & Grille) ⑤	TWE240, TWE300
BAYPLNM020* (Hydronic Coil Discharge Plenum & Grille) ⑤	TWE060
BAYPLNM021* (Hydronic Coil Discharge Plenum & Grille) ⑤	TWE072, TWE090
BAYPLNM022* (Hydronic Coil Discharge Plenum & Grille) ⑤	TWE120
BAYPLNM030* (Electric Heat Discharge Plenum & Grille) ⑤	TWE060
BAYPLNM031* (Electric Heat Discharge Plenum & Grille) ⑤	TWE072, TWE090
BAYPLNM032* (Electric Heat Discharge Plenum & Grille) ⑤	TWE120
BAYPLNM033* (Electric Heat Discharge Plenum & Grille) ⑤	TWE150, TWE180
BAYPLNM034* (Electric Heat Discharge Plenum & Grille) ⑤	TWE240, TWE300
<b>Transformer</b>	
BAYTFMR018*-100VA Transformer (208-230V)	All TWE072–TWE300, 208-230Vunits
BAYTFMR019*-100VA Transformer (460V)	All TWE072–TWE120, 460Vunits
BAYTFMR020*-100VA Transformer (575V)	AllTWE072–TWE120, 575Vunits
<b>Water Kits</b>	
BAYWATR022* (Steam Coil Enclosure) ⑤	TWE060
BAYWATR023* (Steam Coil Enclosure) ⑤	TWE072, TWE090
BAYWATR026* (Steam Coil Enclosure) ⑤	TWE240, TWE300
BAYWATR027* (Hot Water Coil Enclosure) ⑤	TWE060
BAYWATR028* (Hot Water Coil Enclosure) ⑤	TWE072, TWE090
BAYWATR029* (Hot Water Coil Enclosure) ⑤	TWE120
BAYWATR030* (Hot Water Coil Enclosure) ⑤	TWE150, TWE180
BAYWATR031* (Hot Water Coil Enclosure) ⑤	TWE240, TWE300
<b>Wire Kit t–180° Blower Discharge Reversal Kit ⑥</b>	
BAYWRKT002*	TWE060, TWE090, TWE120

- ① Requires use of subbase accessory.
- ② In units with steam or hot water coils applied vertically or horizontally, check IOM for proper Isolator Kits election.
- ③ Do not use if blower will operate less than 600 RPM.
- ④ When the air handler is in the vertical position and close proximity trapping of condensate is required, use of subbase is required.
- ⑤ When installed horizontally, plenum/water coil must be self-supported. When adding vibration isolators, see Isolator Installation Guide (ACC-SVN92\*-EN) for isolator and location matrix.
- ⑥ Can not be used on TWE150-300, due to motor mount location. Only available for Constant Volume Units.

Note: See HUB case DOC-209462 for high-static and low-static drive kits (available only for constant volume air handlers).

**Table LAH-5-B – Odyssey AH Additional Accessories**

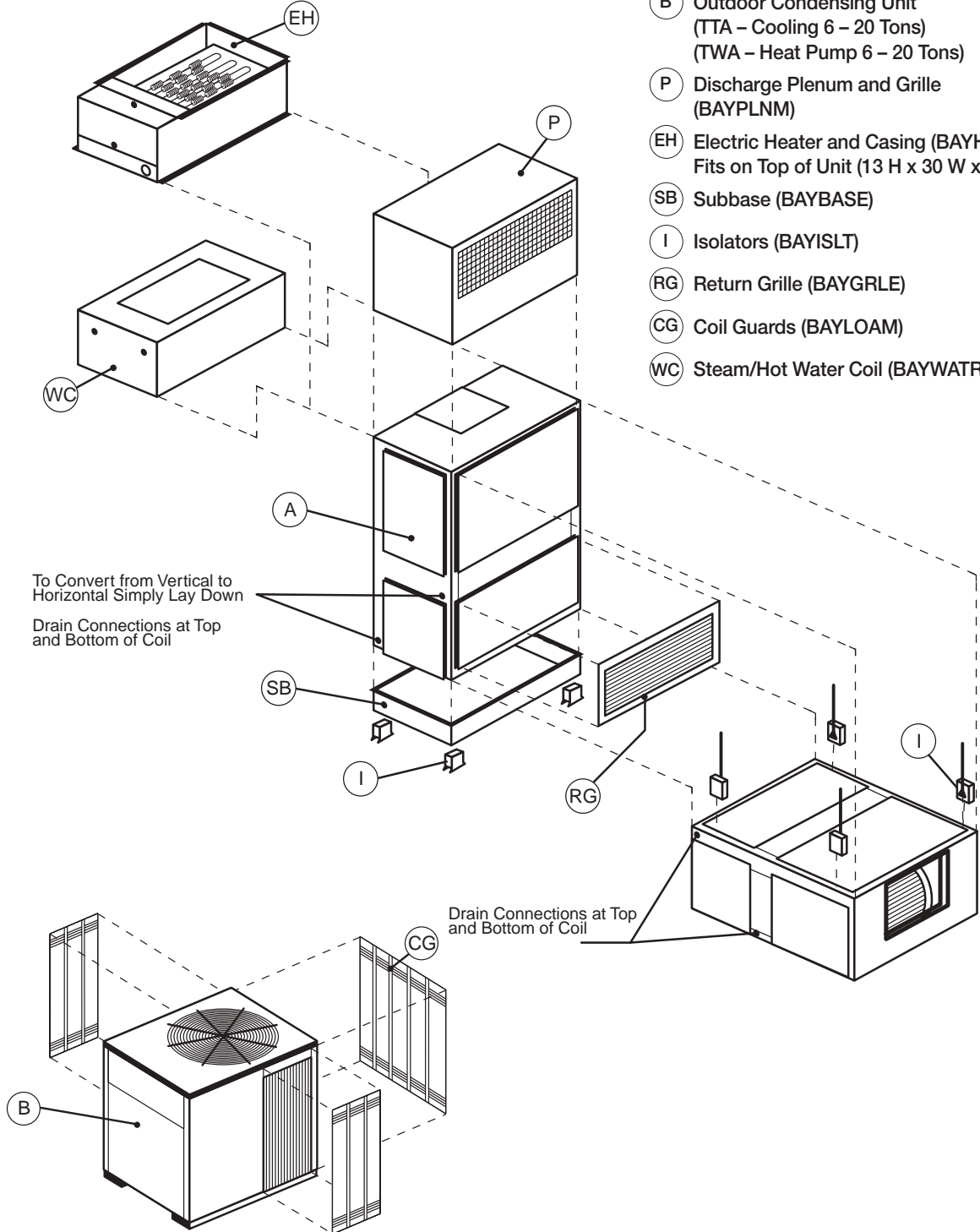
Model Number	Used With
<b>Drip Kit</b>	
BAYDRKT006*	TWE060
BAYDRKT007*	TWE072, TWE090
BAYDRKT008*	TWE120
BAYDRKT009*	TWE150, TWE180
BAYDRKT010*	TWE240, TWE300
<b>Duct Flange</b>	
BAYDUCT010*	TWE051, TWE060, TWE072, TWE076, TWE090, TWE101, TWE120
BAYDUCT020*	TWE126, TWE150, TWE156, TWE180, TWE201, TWE240, TWE251, TWE300
<b>Filters - 2" MERV 13</b>	
BAYFILT006*	TWE060
BAYFILT008*	TWE072, TWE090, TWE120
BAYFILT009*	TWE150, TWE180
BAYFILT010*	TWE240, TWE300
<b>Symbio™ Options Module Kit</b>	
BAYMODU001*	All TWE units with Digit 15 = 1 and Electric heater installed

\* Information subject to change. Please confirm current product data within respective catalogs, IOMs or Trane Select Assist.

Note: See HUB case DOC-209462 for high-static and low-static drive kits (available only for constant volume air handlers).



# Odyssey with Symbio™ Air Handlers Split Systems 5-25 Tons, R-454B



### Factory Supplied Accessories

- (A) Air Handler (TWE 5 – 25 Tons)
- (B) Outdoor Condensing Unit (TTA – Cooling 6 – 20 Tons) (TWA – Heat Pump 6 – 20 Tons)
- (P) Discharge Plenum and Grille (BAYPLNM)
- (EH) Electric Heater and Casing (BAYHTRL) Fits on Top of Unit (13 H x 30 W x 17 D)
- (SB) Subbase (BAYBASE)
- (I) Isolators (BAYISLT)
- (RG) Return Grille (BAYGRLE)
- (CG) Coil Guards (BAYLOAM)
- (WC) Steam/Hot Water Coil (BAYWATR)



# Odyssey with Symbio™ Air Handlers

## Single Phase - 5, 7.5, and 10 Tons, R-410A

## Three Phase – 5-25 Tons, R-410A



**TWE - 5-25 Ton  
Convertible Air Handlers  
(Upflow or Horizontal Only)**

- Ships in horizontal configuration, but quickly and easily converts to upflow
- Expansion valve factory installed
- Check valves for heat pump applications
- Belt drive blower
- Factory installed motor, belt, sheaves, contactor, low voltage terminal board
- One inch filters on 5 to 10 ton units (rack convertible for field supplied two inch)
- Captive screws remain on the panels for service ease
- Low voltage terminal board
- Drain Pan
- Factory Installed (EDC) Evaporator Defrost Control
- IAQ (Indoor Air Quality) sloped/free draining pan, no standing water
- Two inch filters factory installed on 12½, 15, 20, 25 ton units
- Supplemental heaters (electric, water, steam) fits directly on unit discharge for low installation cost
- Single point power entry for reduced electrical power installation cost
- Unit fully assembled to reduce field installation costs
- Compact design with low service clearance to reduce building requirements
- Brazed refrigerant piping connections
- Fan relay UL listed and CSA Certified
- Factory installed 2 speed variable frequency drive (VFD) option available for enhanced part load performance and REQUIRED for CA Title 24 Compliance
- Factory installed Single Zone VAV (SZVAV) option available for enhanced part load performance and space temperature control via varying airflow
- Optional extended warranties

### Model Number Description – Cooling Condenser

#### Digit 1–3 – Unit Function

TWE = Air Handler

#### Digit 4–6 – Tonnage

060 = 5 Tons (60Hz)

072 = 6 Tons (60Hz)

090 = 7.5 Tons (60Hz)

120 = 10 Tons (60Hz)

150 = 12.5 Tons (60Hz)

180 = 15 Tons (60Hz)

240 = 20 Tons (60Hz)

300 = 25 Tons (60Hz)

#### Digit 7 – Refrigerant

4 = R-410A

#### Digit 8 – Voltage

3 = 208-230VAC - 3 PH (60Hz)

4 = 460VAC - 3 PH (60Hz)

W = 575VAC - 3 PH (60Hz)

#### Digit 9 – Refrigeration Circuit/Stage

A = Single Circuit

B = Dual Circuit

#### Digit 10 – Major Design Sequence

A = Current Design Sequence

#### Digit 11 – Minor Design Sequence

A = 2024 Design Sequence

C = 2025 Design Sequence

#### Digit 12–13 – Service Digits

00 = 00

#### Digit 14 – Efficiency Generation

B = Generation B

#### Digit 15 – Controls

1 = Constant Volume

C = 2 Stage Airflow (Electromechanical™ Condenser Only)

D = 2 Stage Airflow/Single Zone VAV (Symbio™ Condenser Only)

#### Digit 16 – Indoor Fan Sizes

0 = Standard Motor

4 = High Static – (Oversized Motor for VFD Units)

#### Digit 17-40 – None

0 = None

**Table LAH-1-A – Single Circuit Coil - R-410A<sup>Ⓞ</sup>**

Tons	Unit Model No.	Power Supply Volts/Phase/Hz	FCCV	Drive Type	Dimensions (in) H x W x D <sup>Ⓞ</sup>	Shipping Weight (lbs)	MCA*	Max Fuse Size or Max Circuit Breaker <sup>Ⓞ*</sup>
<b>Single Phase</b>								
5	TWE06041A	208-230/1/60	TXV	Belt	48 x 39 x 23	285	8	15
7 ½	TWE09041A <sup>Ⓞ</sup>	208-230/1/60	TXV	Belt	54 x 49 x 26	385	8	15
10	TWE12041A <sup>Ⓞ</sup>	208-230/1/60	TXV	Belt	54 x 65 x 26	441	11	15
<b>Three Phase</b>								
5	TWE06043A	208-230/3/60	TXV	Belt	48 x 39 x 23	285	3	15
5	TWE06044A	460/3/60	TXV	Belt	48 x 39 x 23	285	2	15
5	TWE0604WA	575/3/60	TXV	Belt	48 x 39 x 23	285	2	15
7 ½	TWE09043A <sup>Ⓞ</sup>	208-230/3/60	TXV	Belt	54 x 49 x 26	385	7	15
7 ½	TWE0904WA <sup>Ⓞ</sup>	575/3/60	TXV	Belt	54 x 49 x 26	385	2	15
10	TWE12043A <sup>Ⓞ</sup>	208-230/3/60	TXV	Belt	54 x 65 x 26	441	9	15
10	TWE1204WA <sup>Ⓞ</sup>	575/3/60	TXV	Belt	54 x 65 x 26	441	3	15

<sup>Ⓞ</sup> Control transformer not included. Order control transformer accessory when matching these air handlers with 3-5 ton condensing units.

<sup>Ⓞ</sup> HACR type circuit breaker per NEC.

<sup>Ⓞ</sup> Dimensions based on Upflow position.

<sup>Ⓞ</sup> All air handlers are shipped with the drain pan installed in the horizontal position. For vertical configuration, the drain pan should be repositioned before setting the air handler.

\* Information subject to change. Please confirm with current Product Data/Service Facts for current factory production.



It's Hard To Stop A Trane.®



**TWE - 5-25 Ton  
Convertible Air Handlers  
(Upflow or Horizontal Only)**

- Ships in horizontal configuration, but quickly and easily converts to upflow
- Expansion valve factory installed
- Check valves for heat pump applications

- Belt drive blower
- Factory installed motor, belt, sheaves, contactor, low voltage terminal board
- One inch filters on 5 to 10 ton units (rack convertible for field supplied two inch)
- Captive screws remain on the panels for service ease
- Low voltage terminal board
- Drain Pan
- Factory Installed (EDC) Evaporator Defrost Control
- IAQ (Indoor Air Quality) sloped/free draining pan, no standing water
- Two inch filters factory installed on 12½, 15, 20, 25 ton units
- Supplemental heaters (electric, water, steam) fits directly on unit discharge for low installation cost
- Single point power entry for reduced electrical power installation cost
- Unit fully assembled to reduce field installation costs
- Compact design with low service clearance to reduce building requirements
- Brazed refrigerant piping connections
- Fan relay UL listed and CSA Certified
- Factory installed 2 speed variable frequency drive (VFD) option available for enhanced part load performance and REQUIRED for CA Title 24 Compliance®
- Factory installed Single Zone VAV (SZVAV) option available for enhanced part load performance and space temperature control via varying airflow®
- Optional extended warranties

**Model Number Description — Cooling Condenser**

**Digit 1-3 — Unit Function**  
TWE = Air Handler

**Digit 4-6 — Tonnage**

060 = 5 Tons (60Hz)      150 = 12.5 Tons (60Hz)  
072 = 6 Tons (60Hz)      180 = 15 Tons (60Hz)  
090 = 7.5 Tons (60Hz)    240 = 20 Tons (60Hz)  
120 = 10 Tons (60Hz)    300 = 25 Tons (60Hz)

**Digit 7 — Refrigerant**  
4 = R-410A

**Digit 8 — Voltage**  
1 = 208-230VAC - Single 1 PH (60Hz)  
3 = 208-230VAC - 3 PH (60Hz)  
4 = 460VAC - 3 PH (60Hz)  
W = 575VAC - 3 PH (60Hz)

**Digit 9 — Refrigeration Circuit/Stage**  
A = Single Circuit  
B = Dual Circuit

**Digit 10 — Major Design Sequence**  
A = Current Design Sequence

**Digit 11 — Minor Design Sequence**  
A = 2024 Design Sequence  
C = 2025 Design Sequence

**Digit 12-13 — Service Digits**  
00 = 00

**Digit 14 — Efficiency Generation**  
B = Generation B

**Digit 15 — Controls**

1 = Constant Volume  
Symbio  
C = 2 Speed (Electromechanical™ Condenser Only)  
D = Single Zone VAV (Symbio™ Condenser Only, not for 24V t-stat control)

**Digit 16 — Indoor Fan Sizes**

0 = Standard Motor  
4 = High Static - (Oversized Motor for VFD Units)

**Digit 17-40 — None**  
0 = None

**Table LAH-2-A — Dual Circuit Coil — R-410A ①**

Tons	Unit Model No.	Power Supply Volts/Phase/Hz	FCCV	"Drive Type"	"Dimensions (in) H x W x D"③	"Shipping Weight (lbs)"	MCA*	Max Fuse Size or Max Circuit Breaker②*
<b>Single Phase</b>								
5	TWE06041B	208-230/1/60	TXV	Belt	48 x 39 x 23	285	8	15
7 ½	TWE09041B ①	208-230/1/60	TXV	Belt	54 x 49 x 26	385	8	15
10	TWE12041B ①	208-230/1/60	TXV	Belt	54 x 65 x 26	441	11	15
<b>Three Phase</b>								
5	TWE06043B	208-230/3/60	TXV	Belt	48 x 39 x 23	285	3	15
5	TWE06044B	460/3/60	TXV	Belt	48 x 39 x 23	285	2	15
6	TWE07243B	208-230/3/60	TXV	Belt	54 x 49 x 26	385	7	15
6	TWE07244B	460/3/60	TXV	Belt	54 x 49 x 26	385	5	15
6	TWE0724WB	575/3/60	TXV	Belt	54 x 49 x 26	385	2	15
7 ½	TWE09043B ①	208-230/3/60	TXV	Belt	54 x 49 x 26	385	7	15
7 ½	TWE09044B	460/3/60	TXV	Belt	54 x 49 x 26	385	5	15
7 ½	TWE0904WB	575/3/60	TXV	Belt	54 x 49 x 26	385	4	15
10	TWE12043B	208-230/3/60	TXV	Belt	54 x 65 x 26	441	9	15
10	TWE12044B	460/3/60	TXV	Belt	54 x 65 x 26	441	5	15
10	TWE1204WB	575/3/60	TXV	Belt	54 x 65 x 26	441	4	15
12 ½	TWE15043B	208-230/3/60	TXV	Belt	69 x 81 x 30	753	7	15
12 ½	TWE15044B	460/3/60	TXV	Belt	69 x 81 x 30	753	5	15
12 ½	TWE1504WB	575/3/60	TXV	Belt	69 x 81 x 30	753	4	15
15	TWE18043B	208-230/3/60	TXV	Belt	69 x 81 x 30	753	12	20
15	TWE18044B	460/3/60	TXV	Belt	69 x 81 x 30	753	7	15
15	TWE1804WB	575/3/60	TXV	Belt	69 x 81 x 30	753	4	15
20	TWE24043B	208-230/3/60	TXV	Belt	72 x 94 x 32	912	18	30
20	TWE24044B	460/3/60	TXV	Belt	72 x 94 x 32	912	8	15
20	TWE2404WB	575/3/60	TXV	Belt	72 x 94 x 32	912	7	15
25	TWE30043B	208-230/3/60	TXV	Belt	72 x 94 x 32	993	25	40
25	TWE30044B	460/3/60	TXV	Belt	72 x 94 x 32	993	11	20
25	TWE3004WB	575/3/60	TXV	Belt	72 x 94 x 32	993	9	15

① Control transformer not included. Order control transformer accessory when matching these air handlers with 3-5 ton condensing units.

② HACR type circuit breaker per NEC.

③ Dimensions based on Upflow position.

④ All air handlers are shipped with the drain pan installed in the horizontal position. For vertical configuration, the drain pan should be repositioned before setting the air handler.

⑤ 460V motors (digit 8=4) are only available on TWE150E and TWE180 when Title 24 or SZVAV is selected in digits 9 and 10.

\* Information subject to change. Please confirm with current Product Data/Service Facts for current factory production.

For complete equipment / combination selections, installation instructions and warranty information, please refer to Product Data/Ratings and/or Installers Guides and Limited Warranty Handbooks.



# Odyssey with Symbio™ Air Handlers, R-410A Electric Heaters

Single Phase - 5, 7.5, and 10 Tons, R-410A  
Three Phase – 5-25 Tons, R-410A

**Table LAH-3-A – TWE 5 - 10 Ton Electric Heater Selection**

Model Number	Description	Used With
BAYHTRN106*	4.33/5.76 kW Heater 208/240/1 Phase	TWE060*1, TWE090*1, TWE120*1
BAYHTRR112*	8.65/11.52 kW Heater 208/240/1 Phase	TWE060*1, TWE090*1, TWE120*1
BAYHTRS117*	12.98/17.28 kW Heater 208/240/1 Phase	TWE060*1, TWE090*1, TWE120*1
BAYHTRR123*	17.30/23.04 kW Heater 208/240/1 Phase	TWE060*1, TWE090*1, TWE120*1
BAYHTRN129*	21.65/28.8 kW Heater 208/240/1 Phase	TWE090*1, TWE120*1
BAYHTRN305*	3.75/5.00 kW Heater 208/240/3 Phase	TWE060*3 (CV & OS MTR), TWE072*3B, TWE090*3, TWE120*3 (VFD)
BAYHTRR310*	7.45/9.96 kW Heater 208/240/3 Phase	TWE060*3 (CV & OS MTR), TWE072*3B, TWE090*3, TWE120*3 (VFD)
BAYHTRR315*	11.25/14.96 kW Heater 208/240/3 Phase	TWE060*3 (CV & OS MTR), TWE072*3B, TWE090*3, TWE120*3 (VFD)
BAYHTRN325*	18.71/24.92 kW Heater 208/240/3 Phase	TWE060*3 (CV & OS MTR), TWE072*3B, TWE090*3, TWE120*3 (VFD)
BAYHTRN335*	26.20/34.88 kW Heater 208/240/3 Phase	TWE090*3, TWE120*3 (VFD)
BAYHTRN405*	5.00 kW Heater 460/3 Phase	TWE060*4 (CV & OS MTR), TWE072*4*****C/D, TWE090*4*****C/D, TWE120*4*****C/
BAYHTRR410*	9.96 kW Heater 460/3 Phase	TWE060*4 (CV & OS MTR), TWE072*4*****C/D, TWE090*4*****C/D, TWE120*4*****C/
BAYHTRR415*	14.96 kW Heater 460/3 Phase	TWE060*4 (CV & OS MTR), TWE072*4*****C/D, TWE090*4*****C/D, TWE120*4*****C/
BAYHTRN425*	24.92 kW Heater 460/3 Phase	TWE060*4 (CV & OS MTR), TWE072*4*****C/D, TWE090*4*****C/D, TWE120*4*****C/
BAYHTRN435*	34.88 kW Heater 460/3 Phase	TWE090*4*****C/D, TWE120*4*****C/D
BAYHTRNW05*	5.00 kW Heater 575/3 Phase	TWE060*W (CV & OS MTR), TWE072*W, TWE090*W, TWE120*W (VFD)
BAYHTRRW10*	9.96 kW Heater 575/3 Phase	TWE060*W (CV & OS MTR), TWE072*W, TWE090*W, TWE120*W (VFD)
BAYHTRRW15*	14.96 kW Heater 575/3 Phase	TWE060*W (CV & OS MTR), TWE072*W, TWE090*W, TWE120*W (VFD)
BAYHTRNW25*	24.92 kW Heater 575/3 Phase	TWE060*W (CV & OS MTR), TWE072*W, TWE090*W, TWE120*W (VFD)
BAYHTRNW35*	34.88 kW Heater 575/3 Phase	TWE090*W, TWE120*W (VFD)

**Table LAH-3-B – TWE 12½ - 20 Ton Electric Heater Selection**

Model Number	Description	Used With
BAYHTRP310*	7.75/10.0 kW Heater 208/240/3 Phase	TWE150*3, TWE180*3, TWE240*3 , TWE300*3 (VFD)
BAYHTRP320*	14.96/19.92 kW Heater 208/240/3 Phase	TWE150*3, TWE180*3, TWE240*3 , TWE300*3 (VFD)
BAYHTRP330*	22.50/29.92 kW Heater 208/240/3 Phase	TWE150*3, TWE180*3, TWE240*3 , TWE300*3 (VFD)
BAYHTRP350*	37.42/49.84 kW Heater 208/240/3 Phase	TWE150*3, TWE180*3, TWE240*3 , TWE300*3 (VFD)
BAYHTRP410*	10.0 kW Heater 460/3 Phase	TWE150*4*****C/D, TWE180*4*****C/D, TWE240*4 (VFD), TWE300*4 (VFD)
BAYHTRP420*	19.92 kW Heater 460/3 Phase	TWE150*4*****C/D, TWE180*4*****C/D, TWE240*4 (VFD), TWE300*4 (VFD)
BAYHTRP430*	29.92 kW Heater 460/3 Phase	TWE150*4*****C/D, TWE180*4*****C/D, TWE240*4 (VFD), TWE300*4 (VFD)
BAYHTRP450*	49.84 kW Heater 460/3 Phase	TWE150*4*****C/D, TWE180*4*****C/D, TWE240*4 (VFD), TWE300*4 (VFD)
BAYHTRPW10*	10.0 kW Heater 575/3 Phase	TWE150*W, TWE180*W, TWE240*W , TWE300*W (VFD)
BAYHTRPW20*	19.92 kW Heater 575/3 Phase	TWE150*W, TWE180*W, TWE240*W , TWE300*W (VFD)
BAYHTRPW30*	29.92 kW Heater 575/3 Phase	TWE150*W, TWE180*W, TWE240*W , TWE300*W (VFD)
BAYHTRPW50*	49.84 kW Heater 575/3 Phase	TWE150*W, TWE180*W, TWE240*W , TWE300*W (VFD)

Note: Electric Heaters are not available for 380/60Hz

\* Information subject to change. Please confirm current product data within respective catalogs, IOMs or Trane Select Assist.



It's Hard To Stop A Trane.®

# Odyssey with Symbio™ Air Handlers, R-410A Electric Heaters

Single Phase - 5, 7.5, and 10 Tons, R-410A  
Three Phase - 5-25 Tons, R-410A

**Table LAH-4-A – 5 – 20 Ton Accessory Selection**

Model Number	Description	Used With
<b>Subbase</b>		
BAYBASE009*	Vertical Air Handler Subbase	TWE060
BAYBASE010*	Vertical Air Handler Subbase	TWE072, 090
BAYBASE011*	Vertical Air Handler Subbase	TWE120
BAYBASE012*	Vertical Air Handler Subbase	TWE150, 180
BAYBASE013*	Vertical Air Handler Subbase	TWE240, 300
<b>Return Air Grille</b>		
BAYGRLE001*	Return Air Grille	TWE060
BAYGRLE002*	Return Air Grille	TWE072, 090
BAYGRLE003*	Return Air Grille	TWE120
BAYGRLE004*	Return Air Grille	TWE150, 180
BAYGRLE005*	Return Air Grille	TWE240, 300
<b>Isolators</b>		
BAYISLT004* ①②③④	34 Rubber Isolator Floor (blue)	TWE060-120
BAYISLT009* ①②③	3 Rubber Isolator Floor (red)	TWE150, 180
BAYISLT010* ①②③	3 Rubber Isolator Floor (green)	TWE240, 300
BAYISLT012* ③	Rubber Isolator Suspended (red/green)	TWE150, 180
BAYISLT013* ③④	Rubber Suspended (red/green)	TWE060
BAYISLT014* ③④	Rubber Suspended (green)	TWE090
BAYISLT015* ③④	Rubber Suspended (green/black)	TWE120
BAYISLT016* ③	Rubber Suspended (red/green)	TWE240, 300
BAYISLT019* ①②③	Steel Spring Isolator Floor (red)	TWE060-120
BAYISLT021* ①②③	Steel Spring Isolator Floor (black)	TWE150, 180
BAYISLT032* ①②③	Steel Spring Isolator Floor (black/yellow)	TWE240
BAYISLT028* ③	Steel Spring Isolator Suspended (tan)	TWE060
BAYISLT029* ③	Steel Spring Isolator Suspended (red)	TWE072, 090, 120
BAYISLT030* ③	Steel Spring Isolator Suspended (black)	TWE150, 180
BAYISLT031* ③	Steel Spring Isolator Suspended (black/yellow)	TWE240, 300

① When the Air handler is in the vertical position and close proximity trapping of condensate is required, use of subbase is required.

② Requires use of subbase accessory.

③ Units having steam or hot water coils applied vertically or horizontally check IOM for proper Isolator kit selection.

④ Do not use if blower will operate less than 600 RPM.



# Odyssey with Symbio™ Air Handlers, R-410A Electric Heaters

Single Phase - 5, 7.5, and 10 Tons, R-410A  
Three Phase - 5-25 Tons, R-410A

**Table LAH-5-A – TWE 5 - 20 Ton Accessory Selection**

Model Number	Description	Used With
<b>Plenum</b>		
BAYPLNM015* ②	Discharge Plenum & Grille	TWE060
BAYPLNM016* ②	Discharge Plenum & Grille	TWE072, 090
BAYPLNM017* ②	Discharge Plenum & Grille	TWE120
BAYPLNM018* ②	Discharge Plenum/Hydronic Coil Plenum & Grille	TWE150, 180
BAYPLNM019* ②	Discharge Plenum/Hydronic Coil Plenum & Grille	TWE240, 300
BAYPLNM020* ②	Hydronic Coil Discharge Plenum & Grille	TWE060
BAYPLNM021* ②	Hydronic Coil Discharge Plenum & Grille	TWE072, 090
BAYPLNM022* ②	Hydronic Coil Discharge Plenum & Grille	TWE120
BAYPLNM030* ②	Hydronic Coil Discharge Plenum & Grille	TWE060
BAYPLNM031* ②	Hydronic Coil Discharge Plenum & Grille	TWE072, 090
BAYPLNM032* ②	Hydronic Coil Discharge Plenum & Grille	TWE120
BAYPLNM033* ②	Hydronic Coil Discharge Plenum & Grille	TWE150, 180
BAYPLNM034* ②	Hydronic Coil Discharge Plenum & Grille	TWE240, 300
<b>Transformer</b>		
BAYTFMR018* ①	100 VA Transformer (208-230V)	All TWE072 - TWE300, 208-230V units
BAYTFMR019* ①	100 VA Transformer (460V)	All TWE072 - TWE120, 460V units
BAYTFMR020* ①	100 VA Transformer (575V)	All TWE072 - TWE120, 575V units
BAYTFMR021* ①	100 VA Transformer (400V)	All TWE072 - TWE120 380V/60 Hz units
<b>Water Kits</b>		
BAYWATR022* ②	Steam Coil Enclosure	TWE060
BAYWATR023* ②	Steam Coil Enclosure	TWE072, 090
BAYWATR024* ②	Steam Coil Enclosure	TWE120
BAYWATR025* ②	Steam Coil Enclosure	TWE150, 180
BAYWATR026* ②	Steam Coil Enclosure	TWE240, 300
BAYWATR027* ②	Hot Water Coil Enclosure	TWE060
BAYWATR028* ②	Hot Water Coil Enclosure	TWE072, 090
BAYWATR029* ②	Hot Water Coil Enclosure	TWE120
BAYWATR030* ②	Hot Water Coil Enclosure	TWE150, 180
BAYWATR031* ②	Hot Water Coil Enclosure	TWE240, 300
<b>Wire Kit</b>		
BAYWRKT002* ③	180 Blower Discharge Reversal Kit	BAYWRKT002* TWE060, TWE072, TWE090, TWE120

- ① Required when 6 -10 Ton Air Handlers are matched with 3-5 Ton condensing units.
- ② When installed horizontally, plenum/water coil must be self supported.
- ③ Cannot be used on TWE150-240, due to motor mount location.

**Table LAH-5-B – Odyssey AH Additional Accessories**

Model Number	Used With
<b>Drip Kit</b>	
BAYDRKT006*	TWE060
BAYDRKT007*	TWE072, TWE090
BAYDRKT008*	TWE120
BAYDRKT009*	TWE150, TWE180
BAYDRKT010*	TWE240, TWE300
<b>Duct Flange</b>	
BAYDUCT010*	TWE051, TWE060, TWE072, TWE076, TWE090, TWE101, TWE120
BAYDUCT020*	TWE126, TWE150, TWE156, TWE180, TWE201, TWE240, TWE251, TWE300
<b>Filters - 2" MERV 13</b>	
BAYFILT001*	TWE060
BAYFILT002*	TWE072, TWE090
BAYFILT003*	TWE120
BAYFILT004*	TWE150, TWE180
BAYFILT005*	TWE240, TWE300
<b>Symbio™ Options Module Kit</b>	
BAYMODU001*	All TWE units with Digit 15 = 1 and Electric heater installed

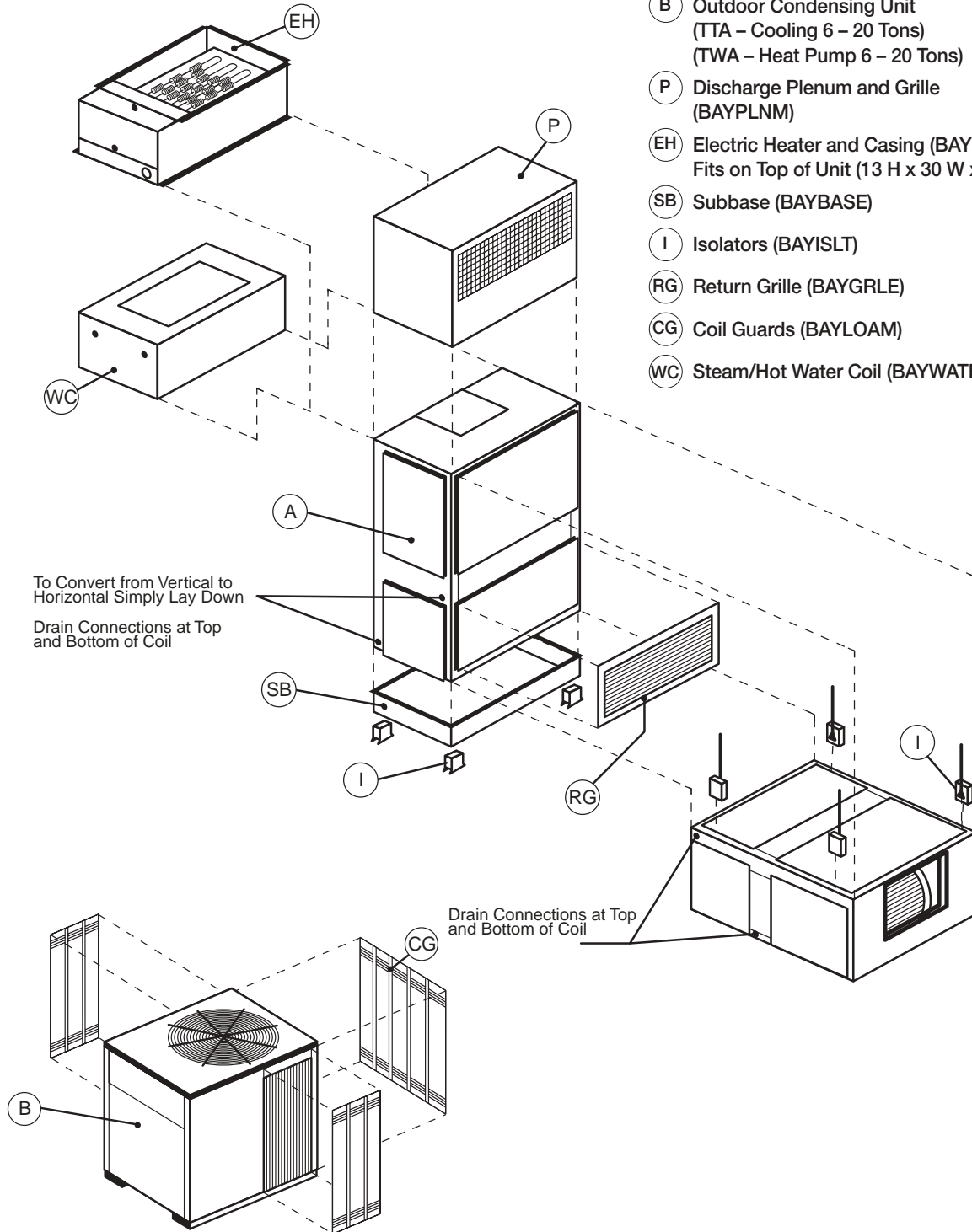
\* Information subject to change. Please confirm current product data within respective catalogs, IOMs or Trane Select Assist.  
Note: See HUB case DOC-209462 for high-static and low-static drive kits (available only for constant volume air handlers).



# Odyssey with Symbio™ Air Handlers Split Systems 5-25 Tons, R-410A

## Factory Supplied Accessories

- (A) Air Handler (TWE 5 – 25 Tons)
- (B) Outdoor Condensing Unit (TTA – Cooling 6 – 20 Tons)  
(TWA – Heat Pump 6 – 20 Tons)
- (P) Discharge Plenum and Grille (BAYPLNM)
- (EH) Electric Heater and Casing (BAYHTRL)  
Fits on Top of Unit (13 H x 30 W x 17 D)
- (SB) Subbase (BAYBASE)
- (I) Isolators (BAYISLT)
- (RG) Return Grille (BAYGRLE)
- (CG) Coil Guards (BAYLOAM)
- (WC) Steam/Hot Water Coil (BAYWATR)





It's Hard To Stop A Trane.®

# Precedent™ Packaged Rooftop Units Cooling, R-454B



Small compact cabinet  
Recessed access handles



Precedent™ rooftop units have been redesigned to deliver the most complete offering of 3 to 25 ton gas, hybrid, and all-electric light commercial packaged rooftop solutions. The wide range of offerings allow Precedent rooftop systems to serve a variety of commercial applications.

### Standard Features:

- Refrigerant Charge of R-454B
- Control Box Access Hinged Doors & Access Panels
- Anti-Short Cycle Timer
- Coil Guards
- Convertible Airflow
- Colored and Numbered Wiring
- Crankcase Heaters
- Direct Drive Forward Curve Fan
- Direct Drive Fans
- Discharge Air Temperature Sensing Kit
- Fault Detection and Diagnostics (FDD)
- Filter Removal Tool
- Foil-Faced and Edge Protected Insulation
- Symbio700™ Controls
- Frostat™
- High Pressure Control
- Low Pressure Control
- IAQ Dual Sloped Composite Drain Pan
- Liquid Line Refrigerant Drier
- Low Ambient to 40 degrees F
- Microchannel Coils
- Phase Monitor
- Phase Balance/Loss/Reversal Protection
- Single Point Power
- Thermal Expansion Valve
- Through-the-Base Condensate
- 3-year limited Parts warranty
- 5-year limited Compressor warranty
- 10-year limited heat exchanger warranty
- 15-year limited stainless steel heat exchanger warranty

### Field-Installed Accessories:

- Economizer: Standard - Horizontal
- Economizer: Low Leak - Horizontal
- LP Conversion Kit
- Ventilation Override
- CO2 Sensor
- High Altitude Kit
- High Temperature Sensor
- Low Ambient Cooling to 0 Degrees F
- Power Exhaust
- Curbs
- Quick Adapt Curb

### Added Flexibility, Factory or Field Installed Features:

- Economizer: Standard - Downflow / Convertible
- Economizer: Low Leak - Downflow
- Barometric Relief
- Electric Heater
- Manual Outside Air Damper
- Motorized Outside Air Damper
- Reference or Comparative Enthalpy
- Clogged Filter Switch
- Condensate Overflow Switch
- Discharge Air Temperature Sensing Kit - Standard (MultiSpeed)

### Factory-Installed Only Features:

- Humidity Control - Modulating Hot Gas Reheat (HGRH)
- Modulating Gas Heat
- High Static/Oversized Motors
- Variable Airflow (SZVAV)/Variable Airflow (MZVAV)
- 2 inch MERV 8 Filters or 2 inch MERV 13 Filters
- Access Doors - Hinged
- Powered or Unpowered Convenience Outlet
- Smoke Detectors - Return / Supply
- Stainless Steel Drain Pan
- Through-the-Base Condensate
- Through-the-Base Electrical with Circuit Breaker
- Through-the-Base Electrical with Disconnect Switch
- Through-the-Base Gas Piping
- Tubular Gas Heat Exchanger

Note: Equipment feature availability is dependent on unit configuration. For more information, see Trane® Select Assist™ or contact product support.

**The same Trane Quality and Reliability ... with added Flexibility!**



It's Hard To Stop A Trane.®

# Precedent™ Packaged Cooling Rooftop Units, R-454B (Nomenclature / Model Number Digits)

Light Commercial  
Packaged Cooling

Digit	Description	Order Number
1	<b>Unit Function</b>	
	Package Cooling, Electric Heat	T
	Package Gas/Electric	Y
2	<b>Efficiency</b>	
	Standard Efficiency	S
	High Efficiency	H
3	<b>Refrigerant</b>	
	R-410A Refrigerant - Convertible Airflow	J
	R-454B Refrigerant - Convertible Airflow	K
4-6	<b>Nominal Gross Cooling Capacity</b>	
	3 Tons	036
	4 Tons	048
	5 Tons	060
	6 Tons	072
	7.5 Tons	090
	8.5 Tons	102
	10 Tons	120
	12.5 Tons	150
	15 Tons	180
7	<b>Major Design Sequence</b>	
	Current Design Sequence	*
	<b>8 Voltage/Hz/Phase</b>	
8	208-230/60/3	3
	460/60/3	4
	575/60/3	W
9	<b>Unit Controls</b>	
	Symbio700	S
10	<b>Heating Type</b>	
	Base Model	0
	Stainless Steel Gas Heat	A
	Modulating Gas Heat	B
11	<b>Heating Capacity</b>	
	<b>Cooling Only Models</b>	
	No Heat	0
	6kW Electric Heat	B
	9kW Electric Heat	C
	12kW Electric Heat	E
	18kW Electric Heat	G
	23 kW Electric Heat	J
	27 kW Electric Heat	K
	36 kW Electric Heat	N
	54 kW Electric Heat	P
	72 kW Electric Heat	R
	<b>Gas/Electric Models</b>	
	Low Gas Heat	L
	Medium Gas Heat	M
	High Gas Heat	H
	14	<b>Fresh Air Selections</b>
No Fresh Air		0
Manual Outside Air Damper 0-50%		A
Motorized Outside Air Damper 0-50%		B
Economizer, Dry Bulb 0-100% w/out Barometric Relief		C
Economizer, Dry Bulb 0-100% with Barometric Relief		D
Economizer, Reference Enthalpy 0-100% w/out Barometric Relief		E
Economizer, Reference Enthalpy 0-100% with Barometric Relief		F
Economizer, Comparative Enthalpy 0-100% w/out Barometric Relief		G
Economizer, Comparative Enthalpy 0-100% with Barometric Relief		H
Downflow Low Leak Economizer, Dry Bulb w/out Barometric Relief		J
Downflow Low Leak Economizer, Dry Bulb with Barometric Relief		K
Downflow Low Leak Economizer, Reference Enthalpy w/out Barometric Relief		L
Downflow Low Leak Economizer, Reference Enthalpy, with Barometric Relief		M
Downflow Low Leak Economizer, Comparative Enthalpy w/out Barometric Relief		N
Downflow Low Leak Economizer, Comparative Enthalpy with Barometric Relief		P
Downflow Low Leak Economizer, Differential Dry Bulb with Barometric Relief		R

Digit	Description	Order Number
15	<b>Supply Fan/Drive Type/Motor</b>	
	Multi-Speed Standard Motor	0
	Optional High Static Motor	1
	Single Zone Variable Air Volume w/ Standard Motor	2
	Single Zone Variable Air Volume w/ Oversized/High Static Motor	3
	Multiple Zone Variable Air Volume w/ Standard Motor	4
	Multiple Zone Variable Air Volume w/ Oversized High Static Motor	5
16	<b>Hinged Access/Filters</b>	
	Standard Panels/Standard Filters	0
	Hinged Access Panels/Standard Filters	A
	Standard Panels/2 inch MERV 8 Filters	B
	Hinged Access Panels/2 inch MERV 8 Filters	C
	Standard Panels/2 inch MERV 13 Filters	D
	Hinged Access Panels/2 inch MERV 13 Filters	E
17	<b>Condenser Coil Protection</b>	
	Standard Coil	0
	Condenser with CompleteCoat™	1
18	<b>Through the Base Provisions</b>	
	No Through the Base Provisions	0
	Through-the-Base Electric	A
	Through-the-Base Gas Piping	B
	Through-the-Base Electric and Gas Piping	C
19	<b>Disconnect/Circuit Breaker (3-Phase Only)</b>	
	No Disconnect/No Circuit Breaker	0
	Unit Mounted/Non-Fused Disconnect	1
	Unit Mounted Circuit Breaker	2
20	<b>Convenience Outlet</b>	
	No Convenience Outlet	0
	Unpowered 20A Convenience Outlet	A
	Powered 15A Convenience Outlet	B
21	<b>Communications Options</b>	
	No Communications Interface	0
	Advanced Controller w/ BACnet Communications Interface	1
	Advanced Controller w/ LonTalk Communications Interface	2
	Advanced Controller w/ AirFi Communications Interface	3
22	<b>Refrigerant Ssystem Option</b>	
	Standard Refrigerant System	0
	Humidity Control Option	A
23	<b>Controls Expansion Module</b>	
	None	0
	XM-30 Expansion Module	1
	XM-32 Expansion Module	2
	XM-30 and XM-32 Expansion Module	3
	XM-30 Expansion Module (Qty 2)	4
	XM-32 Expansion Module (Qty 2)	5
24	<b>Smoke Detector</b>	
	No Smoke Detector	0
	Return Air Smoke Detector	A
	Supply Air Smoke Detector	B
	Supply and Return Air Smoke Detectors,	C
25	<b>System Monitoring Controls</b>	
	No Monitoring Control	0
	Clogged Filter Switch	1
	Condensate Overflow Switch	2
	Discharge Air Sensing Tube	3
	Clogged Filter Switch and Condensate Overflow Switch	4
	Clogged Filter Switch and Discharge Air Sensing Tube	5
Condensate Overflow Switch and Discharge Air Sensing Tube	6	
	Clogged Filter Switch, Condensate Overflow Switch	7
26	<b>Not Used</b>	0
27	<b>Unit Hardware Enhancements</b>	
	No Enhancements	0
	Stainless Steel Drain Pan	1
28	<b>Short Circuit Current Rating</b>	
	Standard (5k) SCCR Marking	0
	Tier 2 (65K) SCCR Marking	A
29	<b>Low Ambient</b>	
	None	0
	Low Ambient Cooling to 0 Degrees F	A

Note: Equipment feature availability is dependent on unit configuration. For more information, see Trane® Select Assist™ or contact product support.

\*\*Information is subject to change. Please confirm current product data within respective catalogs, IOMs or Trane Select Assist

For complete equipment / combination selections, installation instructions and warranty information, please refer to Product Data/Ratings and/or Installers Guides and Limited Warranty Handbooks.



# Precedent™ Packaged Cooling Rooftop Units: with Symbio700™ 14 SEER, R-454B

**Table LPC-3-A – Precedent - Standard Efficiency - Symbio700™ Controls - R-454B**

Tons	Unit Ordering No.	Performance SEER ①②	Gross Cooling Capacity (Btuh)	Dimensions (in.) H x W x L	Shipping Weights (lbs.)	MCA**	Max Fuse Size or Max Circuit Breaker**	Cabinet Size
<b>TSK - 208-230V/60Hz/3-Phase - No Heat</b>								
3	TSK036A3S000000	14.0/13.4	37800	46 <sup>7</sup> / <sub>8</sub> x 44 <sup>1</sup> / <sub>4</sub> x 69 <sup>7</sup> / <sub>8</sub>	667	23	30	A
4	TSK048A3S000000	14.0/13.4	50000	46 <sup>7</sup> / <sub>8</sub> x 44 <sup>1</sup> / <sub>4</sub> x 69 <sup>7</sup> / <sub>8</sub>	686	27	40	A
5	TSK060A3S000000	14.0/13.4	61500	46 <sup>7</sup> / <sub>8</sub> x 44 <sup>1</sup> / <sub>4</sub> x 69 <sup>7</sup> / <sub>8</sub>	705	29	45	A
6	TSK072A3S000000	14.8	79000	50 <sup>7</sup> / <sub>8</sub> x 53 <sup>1</sup> / <sub>4</sub> x 88 <sup>1</sup> / <sub>8</sub>	986	38	50	B
7.5	TSK090A3S000000	14.8	92000	50 <sup>7</sup> / <sub>8</sub> x 53 <sup>1</sup> / <sub>4</sub> x 88 <sup>1</sup> / <sub>8</sub>	1008	43	50	B
8.5	TSK102A3S000000	14.8	108000	50 <sup>7</sup> / <sub>8</sub> x 53 <sup>1</sup> / <sub>4</sub> x 88 <sup>1</sup> / <sub>8</sub>	1029	53	70	B
10	TSK120A3S000000	14.8	122000	50 <sup>7</sup> / <sub>8</sub> x 53 <sup>1</sup> / <sub>4</sub> x 88 <sup>1</sup> / <sub>8</sub>	1044	57	80	B
12.5	TSK150A3S000000	14.2	144000	50 <sup>7</sup> / <sub>8</sub> x 63 <sup>1</sup> / <sub>8</sub> x 99 <sup>5</sup> / <sub>8</sub>	1412	67	90	C
15	TSK180A3S000000	14.2	183000	59 x 87 x 123	2040	79	110	D
17.5	TSK210A3S000000	14.2	214000	59 x 87 x 123	2070	95	125	D
20	TSK240A3S000000	13.2	248000	59 x 87 x 123	2140	108	150	D
25	TSK300A3S000000	13.2	283000	59 x 87 x 123	2190	118	150	D
<b>TSK - 460V/60Hz/3-Phase - No Heat</b>								
3	TSK036A4S000000	14.0/13.4	37800	46 <sup>7</sup> / <sub>8</sub> x 44 <sup>1</sup> / <sub>4</sub> x 69 <sup>7</sup> / <sub>8</sub>	667	10	15	A
4	TSK048A4S000000	14.0/13.4	50000	46 <sup>7</sup> / <sub>8</sub> x 44 <sup>1</sup> / <sub>4</sub> x 69 <sup>7</sup> / <sub>8</sub>	686	12	15	A
5	TSK060A4S000000	14.0/13.4	61500	46 <sup>7</sup> / <sub>8</sub> x 44 <sup>1</sup> / <sub>4</sub> x 69 <sup>7</sup> / <sub>8</sub>	705	14	20	A
6	TSK072A4S000000	14.8	79000	50 <sup>7</sup> / <sub>8</sub> x 53 <sup>1</sup> / <sub>4</sub> x 88 <sup>1</sup> / <sub>8</sub>	986	20	25	B
7.5	TSK090A4S000000	14.8	92000	50 <sup>7</sup> / <sub>8</sub> x 53 <sup>1</sup> / <sub>4</sub> x 88 <sup>1</sup> / <sub>8</sub>	1008	22	25	B
8.5	TSK102A4S000000	14.8	108000	50 <sup>7</sup> / <sub>8</sub> x 53 <sup>1</sup> / <sub>4</sub> x 88 <sup>1</sup> / <sub>8</sub>	1029	26	35	B
10	TSK120A4S000000	14.8	122000	50 <sup>7</sup> / <sub>8</sub> x 53 <sup>1</sup> / <sub>4</sub> x 88 <sup>1</sup> / <sub>8</sub>	1044	30	40	B
12.5	TSK150A4S000000	14.2	144000	50 <sup>7</sup> / <sub>8</sub> x 63 <sup>1</sup> / <sub>8</sub> x 99 <sup>5</sup> / <sub>8</sub>	1412	37	50	C
15	TSK180A4S000000	14.2	183000	59 x 87 x 123	2040	40	50	D
17.5	TSK210A4S000000	14.2	214000	59 x 87 x 123	2070	47	60	D
20	TSK240A4S000000	13.2	248000	59 x 87 x 123	2140	55	70	D
25	TSK300A4S000000	13.2	283000	59 x 87 x 123	2190	59	80	D
<b>TSK - 575V/60Hz/3-Phase - No Heat</b>								
3	TSK036AWS000000	14.0/13.4	37800	46 <sup>7</sup> / <sub>8</sub> x 44 <sup>1</sup> / <sub>4</sub> x 69 <sup>7</sup> / <sub>8</sub>	667	10	15	A
4	TSK048AWS000000	14.0/13.4	50000	46 <sup>7</sup> / <sub>8</sub> x 44 <sup>1</sup> / <sub>4</sub> x 69 <sup>7</sup> / <sub>8</sub>	686	12	15	A
5	TSK060AWS000000	14.0/13.4	61500	46 <sup>7</sup> / <sub>8</sub> x 44 <sup>1</sup> / <sub>4</sub> x 69 <sup>7</sup> / <sub>8</sub>	705	13	20	A
6	TSK072AWS000000	14.8	79000	50 <sup>7</sup> / <sub>8</sub> x 53 <sup>1</sup> / <sub>4</sub> x 88 <sup>1</sup> / <sub>8</sub>	986	17	20	B
7.5	TSK090AWS000000	14.8	92000	50 <sup>7</sup> / <sub>8</sub> x 53 <sup>1</sup> / <sub>4</sub> x 88 <sup>1</sup> / <sub>8</sub>	1008	19	25	B
8.5	TSK102AWS000000	14.8	108000	50 <sup>7</sup> / <sub>8</sub> x 53 <sup>1</sup> / <sub>4</sub> x 88 <sup>1</sup> / <sub>8</sub>	1029	21	25	B
10	TSK120AWS000000	14.8	122000	50 <sup>7</sup> / <sub>8</sub> x 53 <sup>1</sup> / <sub>4</sub> x 88 <sup>1</sup> / <sub>8</sub>	1044	24	30	B
12.5	TSK150AWS000000	14.2	144000	50 <sup>7</sup> / <sub>8</sub> x 63 <sup>1</sup> / <sub>8</sub> x 99 <sup>5</sup> / <sub>8</sub>	1412	26	35	C
15	TSK180AWS000000	14.2	183000	59 x 87 x 123	2040	32	40	D
17.5	TSK210AWS000000	14.2	214000	59 x 87 x 123	2070	38	50	D
20	TSK240AWS000000	13.2	248000	59 x 87 x 123	2140	40	50	D
25	TSK300AWS000000	13.2	283000	59 x 87 x 123	2190	42	50	D

① SEER shown for 3-5 ton units only. The 3 to 5 ton EER and SEER are rated at AHRI conditions and calculated in accordance with AHRI standard 210/240-2017. Airflow and net cooling capacity not shown.

② SEER2 shown for 3 to 5 ton units only. ERR2 and SEER2 are rated at AHRI conditions and certified in accordance with AHRI Standard 210/240-2023 0000 Models are "base stock" configurations and will include hail guards and multi-speed motors as standard

\*\* Information is subject to change. Please confirm current product data within respective catalogs, IOMs or Trane Select Assist

Light Commercial  
Packaged Cooling



It's Hard To Stop A Trane.®

# Precedent™ Packaged Rooftop Units: Cooling with Symbio700™ 17 SEER, R-454B

Table LPC-4-A — Precedent - High Efficiency - Symbio700™ Controls - R-454B

Tons	Unit Ordering No.	Performance SEER ①②	Gross Cooling Capacity (Btuh)	Dimensions (in.) H x W x L	Shipping Weights (lbs.)	MCA**	Max Fuse Size or Max Circuit Breaker**	Cabinet Size
<b>THK - 208-230V/60Hz/3-Phase - No Heat</b>								
3	THK036A3S000000	17.1/16.4	38900	46 <sup>7</sup> / <sub>8</sub> x 44 <sup>1</sup> / <sub>4</sub> x 69 <sup>7</sup> / <sub>8</sub>	684	22	30	A
4	THK048A3S000000	17.1/16.4	50000	50 <sup>7</sup> / <sub>8</sub> x 53 <sup>1</sup> / <sub>4</sub> x 88 <sup>1</sup> / <sub>8</sub>	875	28	40	B
5	THK060A3S000000	17.1/16.4	62400	50 <sup>7</sup> / <sub>8</sub> x 53 <sup>1</sup> / <sub>4</sub> x 88 <sup>1</sup> / <sub>8</sub>	895	29	45	B
6	THK072A3S000000	17.3	79000	50 <sup>7</sup> / <sub>8</sub> x 53 <sup>1</sup> / <sub>4</sub> x 88 <sup>1</sup> / <sub>8</sub>	966	17	20	B
7.5	THK090A3S000000	17.3	92000	50 <sup>7</sup> / <sub>8</sub> x 53 <sup>1</sup> / <sub>4</sub> x 88 <sup>1</sup> / <sub>8</sub>	1008	19	25	B
8.5	THK102A3S000000	16.3	108000	50 <sup>7</sup> / <sub>8</sub> x 53 <sup>1</sup> / <sub>4</sub> x 88 <sup>1</sup> / <sub>8</sub>	1029	21	25	B
10	THK120A3S000000	15.7	122000	50 <sup>7</sup> / <sub>8</sub> x 53 <sup>1</sup> / <sub>4</sub> x 88 <sup>1</sup> / <sub>8</sub>	1044	60	80	B
12.5	THK150A3S000000	18.1	152000	59 x 87 x 123	2040	74	100	D
15	THK180A3S000000	18.2	183000	59 x 87 x 123	2040	40	50	D
17.5	THK210A3S000000	16.7	213000	59 x 87 x 123	2070	47	60	D
20	THK240A3S000000	16.0	248000	59 x 87 x 123	2140	55	70	D
25	THK300A3S000000	15.8	280000	59 x 87 x 123	2190	59	80	D
<b>THK - 460V/60Hz/3-Phase - No Heat</b>								
3	THK036A4S000000	17.1/16.4	38900	46 <sup>7</sup> / <sub>8</sub> x 44 <sup>1</sup> / <sub>4</sub> x 69 <sup>7</sup> / <sub>8</sub>	684	11	15	A
4	THK048A4S000000	17.1/16.4	50000	50 <sup>7</sup> / <sub>8</sub> x 53 <sup>1</sup> / <sub>4</sub> x 88 <sup>1</sup> / <sub>8</sub>	875	16	20	B
5	THK060A4S000000	17.1/16.4	62400	50 <sup>7</sup> / <sub>8</sub> x 53 <sup>1</sup> / <sub>4</sub> x 88 <sup>1</sup> / <sub>8</sub>	895	16	20	B
6	THK072A4S000000	17.3	79000	50 <sup>7</sup> / <sub>8</sub> x 53 <sup>1</sup> / <sub>4</sub> x 88 <sup>1</sup> / <sub>8</sub>	966	17	20	B
7.5	THK090A4S000000	17.3	92000	50 <sup>7</sup> / <sub>8</sub> x 53 <sup>1</sup> / <sub>4</sub> x 88 <sup>1</sup> / <sub>8</sub>	1008	19	25	B
8.5	THK102A4S000000	16.3	108000	50 <sup>7</sup> / <sub>8</sub> x 53 <sup>1</sup> / <sub>4</sub> x 88 <sup>1</sup> / <sub>8</sub>	1029	21	25	B
10	THK120A4S000000	15.7	122000	50 <sup>7</sup> / <sub>8</sub> x 53 <sup>1</sup> / <sub>4</sub> x 88 <sup>1</sup> / <sub>8</sub>	1044	31	40	B
12.5	THK150A4S000000	18.1	152000	59 x 87 x 123	2040	37	50	D
15	THK180A4S000000	18.2	183000	59 x 87 x 123	2040	40	50	D
17.5	THK210A4S000000	16.7	213000	59 x 87 x 123	2070	47	60	D
20	THK240A4S000000	16.0	248000	59 x 87 x 123	2140	55	70	D
25	THK300A4S000000	15.8	280000	59 x 87 x 123	2190	59	80	D
<b>THK - 575V/60Hz/3-Phase - No Heat</b>								
3	THK036AWS000000	17.1/16.4	38900	46 <sup>7</sup> / <sub>8</sub> x 44 <sup>1</sup> / <sub>4</sub> x 69 <sup>7</sup> / <sub>8</sub>	684	11	15	A
4	THK048AWS000000	17.1/16.4	50000	50 <sup>7</sup> / <sub>8</sub> x 53 <sup>1</sup> / <sub>4</sub> x 88 <sup>1</sup> / <sub>8</sub>	875	11	15	B
5	THK060AWS000000	17.1/16.4	62400	50 <sup>7</sup> / <sub>8</sub> x 53 <sup>1</sup> / <sub>4</sub> x 88 <sup>1</sup> / <sub>8</sub>	895	13	15	B
6	THK072AWS000000	17.3	79000	50 <sup>7</sup> / <sub>8</sub> x 53 <sup>1</sup> / <sub>4</sub> x 88 <sup>1</sup> / <sub>8</sub>	966	17	20	B
7.5	THK090AWS000000	17.3	92000	50 <sup>7</sup> / <sub>8</sub> x 53 <sup>1</sup> / <sub>4</sub> x 88 <sup>1</sup> / <sub>8</sub>	1008	19	25	B
8.5	THK102AWS000000	16.3	108000	50 <sup>7</sup> / <sub>8</sub> x 53 <sup>1</sup> / <sub>4</sub> x 88 <sup>1</sup> / <sub>8</sub>	1029	21	25	B
10	THK120AWS000000	15.7	122000	50 <sup>7</sup> / <sub>8</sub> x 53 <sup>1</sup> / <sub>4</sub> x 88 <sup>1</sup> / <sub>8</sub>	1044	24	30	B
12.5	THK150AWS000000	18.1	152000	59 x 87 x 123	2040	29	35	D
15	THK180AWS000000	18.2	183000	59 x 87 x 123	2040	40	50	D
17.5	THK210AWS000000	16.7	213000	59 x 87 x 123	2070	47	60	D
20	THK240AWS000000	16.0	248000	59 x 87 x 123	2140	55	70	D
25	THK300AWS000000	15.8	280000	59 x 87 x 123	2190	59	80	D

① SEER shown for 3-5 ton units only. The 3 to 5 ton EER and SEER are rated at AHRI conditions and calculated in accordance with AHRI standard 210/240-2017. Airflow and net cooling capacity not shown.

② SEER2 shown for 3 to 5 ton units only. ERR2 and SEER2 are rated at AHRI conditions and certified in accordance with AHRI Standard 210/240-2023 0000 Models are "base stock" configurations and will include hail guards and multi-speed motors as standard

\*\* Information is subject to change. Please confirm current product data within respective catalogs, IOMs or Trane Select Assist

Light Commercial  
Packaged Cooling



# Precedent™ Packaged Rooftop Units: Cooling with Symbio700™, R-454B Accessories

**Table LPC-5-A – Precedent - Symbio700™ Controls - R-454B - Accessory - Electric Heaters**

Model Number ①	Power Supply	kW Rating	No. Stages	Used with Cabinet
FIAEHTA306*	208-230V/60Hz/3-Phase	6.0	1	A
FIAEHTB306*	208-230V/60Hz/3-Phase	6.0	1	B
FIAEHTB309*	208-230V/60Hz/3-Phase	9.0	1	B
FIAEHTA312*	208-230V/60Hz/3-Phase	12.0	2	A
FIAEHTB312*	208-230V/60Hz/3-Phase	12.0	2	B
FIAEHTA318*	208-230V/60Hz/3-Phase	18.0	2	A
FIAEHTB318*	208-230V/60Hz/3-Phase	18.0	2	B
FIAEHTC318*	208-230V/60Hz/3-Phase	18.0	2	C
FIAEHTD318*	208-230V/60Hz/3-Phase	18.0	2	D
FIAEHTA323*	208-230V/60Hz/3-Phase	23.0	2	A
FIAEHTB327*	208-230V/60Hz/3-Phase	27.0	2	B
FIAEHTC327*	208-230V/60Hz/3-Phase	27.0	2	C
FIAEHTB336*	208-230V/60Hz/3-Phase	36.0	2	B
FIAEHTC336*	208-230V/60Hz/3-Phase	36.0	2	C
FIAEHTD336*	208-230V/60Hz/3-Phase	36.0	2	D
FIAEHTB354*	208-230V/60Hz/3-Phase	54.0	2	B
FIAEHTC354*	208-230V/60Hz/3-Phase	54.0	2	C
FIAEHTD354*	208-230V/60Hz/3-Phase	54.0	2	D
FIAEHTD372*	208-230V/60Hz/3-Phase	72.0	2	D
FIAEHTA406*	460V/60Hz/3-Phase	6.0	1	A
FIAEHTB406*	460V/60Hz/3-Phase	6.0	1	B
FIAEHTB409*	460V/60Hz/3-Phase	9.0	1	B
FIAEHTA412*	460V/60Hz/3-Phase	12.0	2	A
FIAEHTB412*	460V/60Hz/3-Phase	12.0	2	B
FIAEHTA418*	460V/60Hz/3-Phase	18.0	2	A
FIAEHTB418*	460V/60Hz/3-Phase	18.0	2	B
FIAEHTC418*	460V/60Hz/3-Phase	18.0	2	C
FIAEHTD418*	460V/60Hz/3-Phase	18.0	2	D
FIAEHTA423*	460V/60Hz/3-Phase	23.0	2	A
FIAEHTB427*	460V/60Hz/3-Phase	27.0	2	B
FIAEHTC427*	460V/60Hz/3-Phase	27.0	2	C
FIAEHTB436*	460V/60Hz/3-Phase	36.0	2	B
FIAEHTC436*	460V/60Hz/3-Phase	36.0	2	C
FIAEHTD436*	460V/60Hz/3-Phase	36.0	2	D
FIAEHTB454*	460V/60Hz/3-Phase	54.0	2	B
FIAEHTC454*	460V/60Hz/3-Phase	54.0	2	C
FIAEHTD454*	460V/60Hz/3-Phase	54.0	2	D
FIAEHTD472*	460V/60Hz/3-Phase	72.0	2	D
FIAEHTAW06*	575V/60Hz/3-Phase	6.0	1	A
FIAEHTBW06*	575V/60Hz/3-Phase	6.0	1	B
FIAEHTBW09*	575V/60Hz/3-Phase	9.0	1	B
FIAEHTAW12*	575V/60Hz/3-Phase	12.0	2	A
FIAEHTBW12*	575V/60Hz/3-Phase	12.0	2	B
FIAEHTAW18*	575V/60Hz/3-Phase	18.0	2	A
FIAEHTBW18*	575V/60Hz/3-Phase	18.0	2	B
FIAEHTCW18*	575V/60Hz/3-Phase	18.0	2	C
FIAEHTDW18*	575V/60Hz/3-Phase	18.0	2	D
FIAEHTAW23*	575V/60Hz/3-Phase	23.0	2	A
FIAEHTBW27*	575V/60Hz/3-Phase	27.0	2	B
FIAEHTCW27*	575V/60Hz/3-Phase	27.0	2	C
FIAEHTBW36*	575V/60Hz/3-Phase	36.0	2	B
FIAEHTCW36*	575V/60Hz/3-Phase	36.0	2	C
FIAEHTDW36*	575V/60Hz/3-Phase	36.0	2	D
FIAEHTBW54*	575V/60Hz/3-Phase	54.0	2	B
FIAEHTCW54*	575V/60Hz/3-Phase	54.0	2	C
FIAEHTDW54*	575V/60Hz/3-Phase	54.0	2	D
FIAEHTDW72*	575V/60Hz/3-Phase	72.0	2	D
FIAEHWDW72	575V/60Hz/3-Phase	72	2	D

① Electric Heater models pertain to standard models, for HGRH performance please refer to catalogs or TSA

\*\*Information is subject to change. Please confirm current product data within respective catalogs, IOMs or Trane Select Assist

For complete equipment / combination selections, installation instructions and warranty information, please refer to Product Data/Ratings and/or Installers Guides and Limited Warranty Handbooks.



It's Hard To Stop A Trane.®

# Precedent™ Packaged Rooftop Units: Cooling with Symbio700™, R-454B Accessories

Table LPC-6-A — Precedent - Symbio700™ Controls - R-454B - Accessories

Part Number	Description	Cabinet	Literature Reference
FIADMPR001*	Manual Outside Air Damper 0-50%	A	ACC-SVN01*-EN
FIADMPR002*	Manual Damper	B & C	ACC-SVN01*-EN
FIADMPR003*	Manual Damper	D	ACC-SVN75*-EN
FIADMPR101*	Motorized Outside Air Damper 0-50%	A	ACC-SVN231*-EN
FIADMPR102*	Motorized Damper	B & C	ACC-SVN231*-EN
FIADMPR103*	Motorized Damper	D	ACC-SVN231*-EN
FIAECON001*	Dry Bulb Economizer 0-100%	A	ACC-SVN261*-EN
FIAECON002*	Dry Bulb Economizer	B & C	ACC-SVN261*-EN
FIAECON003*	Dry Bulb Downflow Economizer	D	ACC-SVN232*-EN
FIAECON101*	Low Leak Econ - Dry Bulb	A, Downflow	ACC-SVN264*-EN
FIAECON102*	Dry Bulb Downflow Low Leak	B & C, Downflow	ACC-SVN264*-EN
FIAECON103*	Dry Bulb Downflow Low Leak	D, Downflow	ACC-SVN264*-EN
FIAECON201*	Horizontal Low Leak Dry Bulb Economizer	A, Horizontal	ACC-SVN264*-EN
FIAECON202*	Dry Bulb Horizontal Low Leak	B & C, Horizontal	ACC-SVN264*-EN
FIAECON203*	Dry Bulb Horizontal Low Leak	D, Horizontal	ACC-SVN264*-EN
FIAECON303*	Dry Bulb Horizontal Economizer	D	ACC-SVN233*-EN
FIAENTH001*	Reference Enthalpy Economizer Control	All	ACC-SVN234*-EN
FIAENTH002*	Comparative Enthalpy Economizer Control	All	ACC-SVN235*-EN
FAIHALT001*	High Altitude Gas Adjustment Kit - 2-Stage gas	A	ACC-SVN230*-E
FAIHALT002*	High Altitude Gas Adjustment Kit - 2-Stage gas	B & C	ACC-SVN230*-E
FAIHALT003*	High Altitude Gas Adjustment Kit - 2-Stage gas	D	ACC-SVN230*-E
FAHZDC001*	Horizontal Conversion Pane	D	ACC-SVN263*-EN
FIALOAM001*	Low Ambient	All, T/Y	ACC-SVN237*-EN
FIALOAM002*	Low Ambient	All, W/D	ACC-SVN237*-EN
FIALPKT001*	LP Gas Conversion Kit - 2-Stage gas	A	ACC-SVN229*-E
FIALPKT002*	LP Gas Conversion Kit - 2-Stage gas	B & C	ACC-SVN229*-E
FIALPKT003*	LP Gas Conversion Kit - 2-Stage gas	D	ACC-SVN229*-E
FIALPKTM01*	LP Gas Conversion Kit - Units w/ Modulating gas	B	ACC-SVN269*-EN
FIALPKTM02*	LP Gas Conversion Kit - Units w/ Modulating gas	B	ACC-SVN269*-EN
FIALPKTM03*	LP Gas Conversion Kit- Units w/ Modulating gas	B	ACC-SVN269*-EN
FIALPKTM04*	LP Gas Conversion Kit- Units w/ Modulating gas	B	ACC-SVN269*-EN
FIALPKTM05*	LP Gas Conversion Kit- Units w/ Modulating gas	B	ACC-SVN269*-EN
FIALPKTM06*	LP Gas Conversion Kit- Units w/ Modulating gas	C	ACC-SVN269*-EN
FIALPKTM07*	LP Gas Conversion Kit- Units w/ Modulating gas	C	ACC-SVN269*-EN
FIALPKTM08*	LP Gas Conversion Kit - Units w/ Modulating gas	D	ACC-SVN269*-EN
FIALPKTM09*	LP Gas Conversion Kit - Units w/ Modulating gas	D	ACC-SVN269*-EN
FIALPKTM10*	LP Gas Conversion Kit- Units w/ Modulating gas	D	ACC-SVN269*-EN
FIAPWRX301*	Power Exhaust 230V	A	ACC-SVN236*-EN
FIAPWRX302*	Power Exhaust 230V	B & C	ACC-SVN236*-EN
FIAPWRX303*	Power Exhaust 230V	D	ACC-SVN236*-EN
FIAPWRX401*	Power Exhaust 460V	A	ACC-SVN236*-EN
FIAPWRX402*	Power Exhaust 460V	B & C	ACC-SVN236*-EN
FIAPWRX403*	Power Exhaust 460V	D	ACC-SVN236*-EN
FIAPWRXW01*	Power Exhaust 575V	A	ACC-SVN236*-EN
FIAPWRXW02*	Power Exhaust 575V	B & C	ACC-SVN236*-EN
FIAPWRXW03*	Power Exhaust 575V	D	ACC-SVN236*-EN
FIAQACB026*	Adapter Curb, BAYCURB026 to FIACURB403/803	C	ACC-SVN259*-EN
FIAQACB027*	Adapter Curb, BAYCURB027 to FIACURB403/803	C	ACC-SVN259*-EN
FIAQACB042*	Adapter Curb, BAYCURB042 to FIACURB402/802	B	ACC-SVN259*-EN
FIAQACB043*	Adapter Curb, BAYCURB043 to FIACURB403/803	C	ACC-SVN259*-EN
FIAQACB044*	Adapter Curb, BAYCURB044 to FIACURB402/802	B	ACC-SVN259*-EN
FIAQACB045*	Adapter Curb, BAYCURB043 to FIACURB402/802	A	ACC-SVN259*-EN
FIALPKTM02*	LP Gas Conversion Kit - Modulating gas	B	ACC-SVN269*-EN
FIALPKTM03*	LP Gas Conversion Kit - Modulating gas	B	ACC-SVN269*-EN
FIALPKTM04*	LP Gas Conversion Kit - Modulating gas	B	ACC-SVN269*-EN
FIALPKTM05*	LP Gas Conversion Kit - Modulating gas	B	ACC-SVN269*-EN
FIALPKTM06*	LP Gas Conversion Kit - Modulating gas	C	ACC-SVN269*-EN
FIALPKTM07*	LP Gas Conversion Kit - Modulating gas	C	ACC-SVN269*-EN
FIALPKTM08*	LP Gas Conversion Kit - Modulating gas	D	ACC-SVN269*-EN
FIALPKTM09*	LP Gas Conversion Kit - Modulating gas	D	ACC-SVN269*-EN
FIALPKTM10*	LP Gas Conversion Kit - Modulating gas	D	ACC-SVN269*-EN

\*Information is subject to change. Please confirm current product data within respective catalogs, IOMs or Trane Select Assist

For complete equipment / combination selections, installation instructions and warranty information, please refer to Product Data/Ratings and/or Installers Guides and Limited Warranty Handbooks.



# Precedent™ Packaged Rooftop Units: Cooling with Symbio700™, R-454B Accessories

**Table LPC-7-A – Precedent - Symbio700™ Controls - R-454B - Accessories**

Part Number	Description	Cabinet	Literature Reference
FIAPWRX301*	Power Exhaust 230V	A	ACC-SVN236*-EN
FIAPWRX302*	Power Exhaust 230V	B & C	ACC-SVN236*-EN
FIAPWRX303*	Power Exhaust 230V	D	ACC-SVN236*-EN
FIAPWRX401*	Power Exhaust 460V	A	ACC-SVN236*-EN
FIAPWRX402*	Power Exhaust 460V	B & C	ACC-SVN236*-EN
FIAPWRX403*	Power Exhaust 460V	D	ACC-SVN236*-EN
FIAPWRXW01*	Power Exhaust 575V	A	ACC-SVN236*-EN
FIAPWRXW02*	Power Exhaust 575V	B & C	ACC-SVN236*-EN
FIAPWRXW03*	Power Exhaust 575V	D	ACC-SVN236*-EN
FIAQACB026*	Adapter Curb, BAYCURB026 to FIACURB403/803	C	ACC-SVN259*-EN
FIAQACB027*	Adapter Curb, BAYCURB027 to FIACURB403/803	C	ACC-SVN259*-EN
FIAQACB042*	Adapter Curb, BAYCURB042 to FIACURB402/802	B	ACC-SVN259*-EN
FIAQACB043*	Adapter Curb, BAYCURB043 to FIACURB403/803	C	ACC-SVN259*-EN
FIAQACB044*	Adapter Curb, BAYCURB044 to FIACURB402/802	B	ACC-SVN259*-EN
FIAQACB045*	Adapter Curb, BAYCURB043 to FIACURB402/802	A	ACC-SVN259*-EN

\*\*Information is subject to change. Please confirm current product data within respective catalogs, IOMs or Trane Select Assist



It's Hard To Stop A Trane.®

# Foundation™ Packaged Cooling Rooftop Units, R-454B (Nomenclature / Model Number Digits)

Light Commercial  
Packaged Cooling

Digit	Description	Order Number	Digit	Description	Order Number
1	<b>Unit Function</b>		15	<b>Supply Fan/Drive Type/Motor</b>	
	Package Cooling, Electric Heat	E		Standard Motor ①	0
	Package Gas/Electric	G		Oversized Motor ①	1
2	<b>Efficiency</b>		Multi-Speed Standard Motor ①	7	
	Generation - Legacy, Pre DOE	B	Multi-Speed Oversized Motor ①	9	
	Generation - DOE 2023	C			
	Generation - LGWP 2025	D			
3	<b>Refrigerant</b>		16	<b>Unit Type/Access</b>	
	R-410A Refrigerant - Convertible Airflow	C		Small/Large Foundation, Standard Fork Access ①	0
4-6	<b>Nominal Gross Cooling Capacity</b>		Large Foundation, Third Side Condenser Fork Access ①	F	
	3 Tons	036	Medium Foundation Identifier ①	M	
	4 Tons	048			
	5 Tons	060	17	<b>Condenser Coil Protection</b>	
	7.5 Tons	090		Standard Coil	0
	8.5 Tons	102	Condenser with CompleteCoat™ ①	4	
	10 Tons	120	18	<b>Through the Base Provisions</b>	
	12.5 Tons	150		No Through the Base Provisions	0
	15 Tons	180		Through the Base Electric ①	A
	17.5 Tons	210		Through the Base Gas ①②	B
20 Tons	240	Through the Base Electric/Gas1	C		
25 Tons	300	19	<b>Disconnect/Circuit Breaker (3-Phase ONLY)</b>		
			No Disconnect/Circuit Breaker	0	
			Unit Mounted/Non-Fused Disconnect1	1	
7	<b>Major Design Sequence</b>		20-24	<b>Not Used</b>	
	Current Design Sequence	*		No Convenience Outlet	0000
8	<b>Voltage/Hz/Phase</b>		25	<b>System Monitoring Controls</b>	
	208-230/60/3	3		No Monitoring Controls I	0
	460/60/3	4	Condensate Drain Pan Overflow Switch ①		
	575/60/3	W	26	<b>System Monitoring Controls II</b>	
		No Monitoring Controls II		0	
9	<b>Unit Controls</b>		Economizer Fault Detection and Diagnostics ①③	B	
	Electromechanical ①	E			
	Symbio700 ①	S			
10	<b>Heating Capacity</b>				
	Cooling Only Models - No Heat	0			
	Gas Heat Models -				
	Low Heat	L			
	Medium heat	M			
	High Heat1	H			
	Low Heat, SS Heat Exchanger ①	X			
	SS Medium Heat, SS Heat Exchanger ①	Y			
SS High Heat, SS Heat Exchanger ①	Z				
11	<b>Minor Design Sequence</b>				
	Current Design Sequence	*			
12-13	<b>Factory Service Sequence Digits</b>	**			
14	<b>Fresh Air Section</b>				
	No Fresh Air	0			
	Manual Outside Air Damper 0-50% ①	A			
	Motorized Outside Air Damper 0-50%	B			
	Economizer, Dry Bulb 0-100% w/out Barometric Relief ①	C			
	Economizer, Dry Bulb 0-100% with Barometric Relief1 ②	D			
	Economizer, Reference Enthalpy 0-100% w/out Barometric Relief ①	E			
	Economizer, Reference Enthalpy 0-100% with Barometric Relief ①②	F			
	Economizer, Comparative Enthalpy 0-100% w/out Barometric Relief ①	G			
	Economizer, Comparative Enthalpy 0-100% with Barometric Relief ①②	H			
	Downflow Low Leak Economizer, Dry Bulb w/out Barometric Relief ①	J			
	Downflow Low Leak Economizer, Dry Bulb with Barometric Relief ①	K			
	Downflow Low Leak Economizer, Reference Enthalpy w/out Barometric Relief ①	L			
	Downflow Low Leak Economizer, Reference Enthalpy, with Barometric Relief ①	M			
	Downflow Low Leak Economizer, Comparative Enthalpy without Barometric Relief ①	N			
	Downflow Low Leak Economizer, Comparative Enthalpy, with Barometric Relief ①	P			

① Tonnage restrictions apply - option may not be configurable with select tonnages  
 ② Some Field setup is required  
 ③ Fault Detection and Diagnostics (FDD) is available on Low Leak Economizers Only

Note: All units ship with downflow airflow, factory-installed accessories will pair with downflow configurations only  
 \*\*Information is subject to change. Please confirm current product data within respective catalogs, IOMs or Trane Select Assist

For complete equipment / combination selections, installation instructions and warranty information, please refer to Product Data/Ratings and/or Installers Guides and Limited Warranty Handbooks.

LPC-8

Effective 1/1/26  
22-8301-39



# Foundation™ Packaged Cooling Rooftop Units 3-5 Tons, R-454B



- Operating Charge of R-454B
- Scroll Compressors on all units
- Low ambient operation of 45 degrees F as standard
- Single side service access
- Provisional through the base field insalled option
- Phase monitor on all units
- Convertible airflow on all units, all models ship with downflow airflow
- Sloped, non-corrosive drain pan
- Separate high and low voltage areas in control box
- 1-year limited parts warranty
- 5-year limited compressor warranty
- 5-year limited aluminized heat exchanger warranty
- 10-year limited stainless steel heat exchanger warranty

Table LPC-9-A — Foundation™ - R-454B - Electromechanical Controls

Tons	Unit Model No	Power Supply Volts/Phase/Hz	Performance SEER	Cooling Capacity (Btuh)	Dimensions (in.) H x W x L	Shipping Weight (lbs.)	Max Fuse Size or Max		Downflow Roofcurb <sup>Ⓢ</sup>
							MCA**	Circuit Breaker**	
<b>EDK - Three Phase No Heat</b>									
3	EDK036A3E0A0000	208-230/3/60	14.0	38,000	42 <sup>5</sup> / <sub>8</sub> x 48 x 76 <sup>7</sup> / <sub>8</sub>	523	23	30	BAYCURB320*
4	EDK048A3E0A0000	208-230/3/60	14.0	51,300	42 <sup>5</sup> / <sub>8</sub> x 48 x 76 <sup>7</sup> / <sub>8</sub>	566	23	25	BAYCURB320*
5	EDK060A3E0A0000	208-230/3/60	14.0	59,500	42 <sup>5</sup> / <sub>8</sub> x 48 x 76 <sup>7</sup> / <sub>8</sub>	586	28	29	BAYCURB320*
3	EDK036A4E0A0000	460/3/60	14.0	38,000	42 <sup>5</sup> / <sub>8</sub> x 48 x 76 <sup>7</sup> / <sub>8</sub>	523	11	15	BAYCURB320*
4	EDK048A4E0A0000	460/3/60	14.0	51,300	42 <sup>5</sup> / <sub>8</sub> x 48 x 76 <sup>7</sup> / <sub>8</sub>	566	11	15	BAYCURB320*
5	EDK060A4E0A0000	460/3/60	14.0	59,500	42 <sup>5</sup> / <sub>8</sub> x 48 x 76 <sup>7</sup> / <sub>8</sub>	586	13	15	BAYCURB320*
3	EDK036AWE0A0000	575/3/60	14.0	38,000	42 <sup>5</sup> / <sub>8</sub> x 48 x 76 <sup>7</sup> / <sub>8</sub>	523	9	15	BAYCURB320*
4	EDK048AWE0A0000	575/3/60	14.0	51,300	42 <sup>5</sup> / <sub>8</sub> x 48 x 76 <sup>7</sup> / <sub>8</sub>	566	10	15	BAYCURB320*
5	EDK060AWE0A0000	575/3/60	14.0	59,500	42 <sup>5</sup> / <sub>8</sub> x 48 x 76 <sup>7</sup> / <sub>8</sub>	586	11	15	BAYCURB320*

0000\* = Includes no factory-installed features; does not include factory-installed multi-speed motors, hail guards, or fresh air options  
SEER are rated at AHRI conditions and calculated in accordance with AHRI Standard 210/240-2017.

Ⓢ For Downflow units only.

\*\*Information is subject to change. Please confirm current product data within respective catalogs, IOMs or Trane Select Assist

Light Commercial  
Packaged Cooling



It's Hard To Stop A Trane.®

# Foundation™ Packaged Cooling 3-5 Ton, R-454B Accessories

Table LPC-10-A — Precedent - Symbio700™ Controls - R-454B - Field Installed Accessories

Part Number	Description	Used With	Literature Resource
BAYCURB320*	Roof curb	ALL	ACC-SVN192*-EN
BAYGARD320*	Tool-less Hail Guard	ALL	ACC-SVN193*-EN
BAYTBGF320*	Through the base - Elec.	ALL	ACC-SVN189*-EN
BAYDSCF322*	Non-Fused Disconnect	Cooling Only/Gas Heat	ACC-SVN195*-EN
BAYDSCF323*	Unit Mounted Disconnect - Electric Heat	5-25kW Electric Heat	ACC-SVN195*-EN
BAYCO2K301*	Wall Mounted CO2 Sensor	ALL	ACC-SVN173*-EN
BAYCO2K300*	Duct Mounted CO2 Sensor	ALL	ACC-SVN173*-EN
BAYCOSW320*	Condensate Overflow	ALL	ACC-SVN271*-EN
BAYCCHT010*	CCH - 208-230V	E/GDK048-060*3	ACC-SVN251*-EN
BAYCCHT011*	CCH - 460V/575V	E/GDK048-060*4/W	ACC-SVN251*-EN
BAYASCT001*	Compressor Short Cycle Timer	ALL	ACC-SVN31*-EN
BAYHSMT320*	Oversized Motor and Drive	ALL	ACC-SVN187*-EN
BAYPWRX320*	Power Exhaust - 208-230V	208-230V Models	ACC-SVN272*-EN
BAYPWRX321*	Power Exhaust - 460V	460V Models	ACC-SVN272*-EN
BAYPWRX322*	Power Exhaust - 575V	575V Models	ACC-SVN272*-EN
BAYDMPR321*	Damper, Manual	ALL	ACC-SVN200*-EN
BAYDMPR320*	Damper, Motorized	ALL	ACC-SVN197*-EN
BAYBARO320*	Barometric Relief Damper	ALL	ACC-SVN198*-EN
BAYBARO321*	Barometric Relief Damper, LLE W/FDD	ALL	ACC-SVN204*-EN
BAYECON320*	Economizer, Dry Bulb, Downflow	ALL	ACC-SVN208*-EN
BAYECON320*	Economizer, Dry Bulb, Horizontal	ALL	ACC-SVN208*-EN
BAYECON353*	Low Leak Economizer, Dry Bulb, Downflow W/FDD	ALL	ACC-SVN203*-EN
BAYECON354*	Low Leak Economizer, Dry Bulb, Horizontal W/FDD	ALL	ACC-SVN205*-EN
BAYENTH320*	Reference Enthalpy Kit	ALL	ACC-SVN201*-EN
BAYENTH321*	Comparative Enthalpy Kit	ALL	ACC-SVN202*-EN
BAYENTH322*	Reference Enthalpy, LLE W/FDD	ALL	ACC-SVN209*-EN
BAYENTH323*	Comparative Enthalpy, LLE W/FDD	ALL	ACC-SVN206*-EN

\* Information subject to change. Please confirm current product data within respective catalogs, IOMs or Trane Select Assist.

Light Commercial  
Packaged Cooling



# Foundation™ Packaged Cooling 3-5 Ton, R-454B Heaters

**Table LPC-11-A — Precedent - Symbio700™ Controls - R-454B - Field Installed Electric Heaters**

Model Number	Power Supply	kW Rating <sup>①</sup>	Heater Amps	No. Stages	Used With
BAYHTFA305*	208-230V/60/3	3.5/4.7	9.8/11.3	1	EDK036*3 / EDK048*3 / EDK060*3
BAYHTFA307*	208-230V/60/3	5.6/7.5	15.6/18.0	1	EDK036*3 / EDK048*3 / EDK060*3
BAYHTFA310*	208-230V/60/3	7.5/10.0	20.8/24.1	1	EDK036*3 / EDK048*3 / EDK060*3
BAYHTFA315*	208-230V/60/3	10.8/14.4	30.0/34.6	1	EDK036*3 / EDK048*3 / EDK060*3
BAYHTFA320*	208-230V/60/3	15.0/20.0	41.7/48.1	2	EDK048*3 / EDK060*3
BAYHTFA325*	208-230V/60/3	18.8/25.0	52.1/60.1	2	EDK060*3
BAYHTFA405*	460V/60/3	4.7	5.7	1	EDK036*4 / EDK048*4 / EDK060*4
BAYHTFA407*	460V/60/3	7.5	9	1	EDK036*4 / EDK048*4 / EDK060*4
BAYHTFA410*	460V/60/3	10.0	12	1	EDK036*4 / EDK048*4 / EDK060*4
BAYHTFA415*	460V/60/3	14.4	17.3	1	EDK036*4 / EDK048*4 / EDK060*4
BAYHTFA420*	460V/60/3	20.0	24.1	2	EDK048*4 / EDK060*4
BAYHTFA425*	460V/60/3	25.0	30.1	2	EDK060*4
BAYHTFAW10*	575V/60/3	10.0	9.6	1	EDK036*W / EDK048*W / EDK060*W
BAYHTFAW15*	575V/60/3	14.4	13.9	1	EDK036*W / EDK048*W / EDK060*W
BAYHTFAW20*	575V/60/3	20.0	19.2	2	EDK048*W / EDK060*W
BAYHTFAW25*	575V/60/3	25.0	24.1	2	EDK060*W

① Heater kW ratings are at 208/240V for 208/230V units, 480V for 460V units, 600V for 575V units.



# Foundation™ Packaged Cooling Rooftop Units 7.5-12.5 Tons, R-454B



- Operating Charge of R-454B
- Scroll Compressors on all units
- Low ambient operation of 0 degrees F as standard
- Single side service access
- Molded Handles on service access doors
- Separated high and low voltage compartments
- Liquid Line Refrigerant Drier
- Phase monitor on all units
- Convertible airflow on all units, all models ship with downflow airflow
- Two-inch throwaway filters as standard
- Non-Corrosive & Removable drain pan
- Crankcase heaters standard
- **1-year limited parts warranty**
- **5-year limited compressor warranty**

Table LPC-12-A — Foundation™ - R-454B - Electromechanical Controls

Tons	Unit Model No	Power Supply Volts/Phase/Hz	Performance SEER	AHRI Net Cooling Capacity (Btuh)	Dimensions (in.) H x W x L	Shipping Weight (lbs.)	MCA**	Max Fuse Size or Max Circuit Breaker**	Downflow RoofcurbⓄ
<b>EDK - Three Phase No Heat</b>									
7.5	EDK090A3E0A****	208-230/3/60	14.8	86000	48 <sup>3</sup> / <sub>4</sub> x 58 <sup>7</sup> / <sub>8</sub> x 88 <sup>7</sup> / <sub>16</sub>	979	35	45	BAYCURB310*
8.5	EDK102A3E0A****	208-230/3/60	14.8	104000	48 <sup>3</sup> / <sub>4</sub> x 58 <sup>7</sup> / <sub>8</sub> x 88 <sup>7</sup> / <sub>16</sub>	1016	38	45	BAYCURB310*
10	EDK120A3E0A****	208-230/3/60	14.8	114000	48 <sup>3</sup> / <sub>4</sub> x 58 <sup>7</sup> / <sub>8</sub> x 88 <sup>7</sup> / <sub>16</sub>	1047	45	60	BAYCURB310*
12.5	EDK150A3E0A****	208-230/3/60	14.2	140000	48 <sup>3</sup> / <sub>4</sub> x 58 <sup>7</sup> / <sub>8</sub> x 88 <sup>7</sup> / <sub>16</sub>	1127	62	80	BAYCURB310*
7.5	EDK090A4E0A****	460/3/60	14.8	86000	48 <sup>3</sup> / <sub>4</sub> x 58 <sup>7</sup> / <sub>8</sub> x 88 <sup>7</sup> / <sub>16</sub>	979	18	20	BAYCURB310*
8.5	EDK102A4E0A****	460/3/60	14.8	104000	48 <sup>3</sup> / <sub>4</sub> x 58 <sup>7</sup> / <sub>8</sub> x 88 <sup>7</sup> / <sub>16</sub>	1016	20	25	BAYCURB310*
10	EDK120A4E0A****	460/3/60	14.8	114000	48 <sup>3</sup> / <sub>4</sub> x 58 <sup>7</sup> / <sub>8</sub> x 88 <sup>7</sup> / <sub>16</sub>	1047	28	30	BAYCURB310*
12.5	EDK150A4E0A****	460/3/60	14.2	140000	48 <sup>3</sup> / <sub>4</sub> x 58 <sup>7</sup> / <sub>8</sub> x 88 <sup>7</sup> / <sub>16</sub>	1127	35	45	BAYCURB310*
7.5	EDK090AWE0A****	575/3/60	14.8	86000	48 <sup>3</sup> / <sub>4</sub> x 58 <sup>7</sup> / <sub>8</sub> x 88 <sup>7</sup> / <sub>16</sub>				
8.5	EDK102AWE0A****	575/3/60	14.8	104000	48 <sup>3</sup> / <sub>4</sub> x 58 <sup>7</sup> / <sub>8</sub> x 88 <sup>7</sup> / <sub>16</sub>				
10	EDK120AWE0A****	575/3/60	14.8	114000	48 <sup>3</sup> / <sub>4</sub> x 58 <sup>7</sup> / <sub>8</sub> x 88 <sup>7</sup> / <sub>16</sub>				
12.5	EDK150AWE0A****	575/3/60	14.2	140000	48 <sup>3</sup> / <sub>4</sub> x 58 <sup>7</sup> / <sub>8</sub> x 88 <sup>7</sup> / <sub>16</sub>				

Ⓞ For Downflow units only.

\*\*Information is subject to change. Please confirm current product data within respective catalogs, IOMs or Trane Select Assist

Light Commercial  
Packaged Cooling



# Foundation™ Packaged Cooling 7.5-12.5 Ton, R-454B Accessories and Heaters

**Table LPC-13-A – Precedent - Symbio700™ Controls - R-454B - Field Installed Accessories**

Part Number	Description	Used With	Literature Resource
BAYCURB310*	Roof curb	EDK090-150	ACC-SVN297*-EN
BAYGARD312*	Tool-less Hail Guard	GDK090-150	ACC-SVN317*-EN
Not Currently Available	Through the base - Elec.	Not Currently Available	
BAYASCT001*	Compressor Short Cycle Timer	ALL	ACC-SVN31*-EN
BAYSTAT300*	BACnet Enabled Thermostat	ALL	Not Currently Available
Not Currently Available	Wall Mounted CO2 Sensor	Not Currently Available	
Not Currently Available	Duct Mounted CO2 Sensor	Not Currently Available	
BAYCOSW311*	Condensate Overflow	ALL	ACC-SVN317*-EN
BAYPWRX310*	Power Exhaust 208-230V, Downflow	EDK090-150*3	ACC-SVN322*-EN
BAYPWRX313*	Power Exhaust 208-230V, Downflow	EDK090-150*3	ACC-SVN322*-EN
BAYPWRX311*	Power Exhaust 460V, Downflow	EDK090-150*4	ACC-SVN322*-EN
BAYPWRX314*	Power Exhaust 460V, Downflow	EDK090-150*4	ACC-SVN322*-EN
BAYDMPR310*	Damper, Motorized	EDK090-150	ACC-SVN318*-EN
BAYDMPR311*	Damper, Manual	EDK090-150	ACC-SVN318*-EN
BAYBARO310*	Barometric Relief Damper	ALL	
Not Currently Available	Barometric Relief Damper, LLE W/FDD	Not Currently Available	Not Currently Available
BAYECON310*	Economizer, Dry Bulb, Downflow	EDK090-150	ACC-SVN323*-EN
BAYECON311*	Economizer, Dry Bulb, Horizontal	EDK090-150	ACC-SVN319*-EN
BAYECON355*	Low Leak Economizer, Dry Bulb, Downflow W/FDD	EDK090-150	ACC-SVN321*-EN
BAYECON356*	Low Leak Economizer, Dry Bulb, Horizontal W/FDD	EDK090-150	ACC-SVN320*-EN

\* Information subject to change. Please confirm current product data within respective catalogs, IOMs or Trane Select Assist.

**Table LPC-13-B – Medium Foundation- R-454B - Field Installed Electric Heaters**

Model Number <sup>②</sup>	Power Supply	kW Rating <sup>①</sup>	No. Stages	Used With
BAYHTMA310B	208-230V/60Hz/3-Phase	10	1	EDK090-150*3
BAYHTMA315B	208-230V/60Hz/3-Phase	15	1	EDK090-150*3
BAYHTMA325B	208-230V/60Hz/3-Phase	25	1	EDK090-102*3
BAYHTMA332B	208-230V/60Hz/3-Phase	32	2	EDK090-150*3
BAYHTMA341B	208-230V/60Hz/3-Phase	41	2	EDK090-150*3
BAYHTMA350B	208-230V/60Hz/3-Phase	50	2	EDK120-150*3
BAYHTMA414B	460V/60Hz/3-Phase	14	1	EDK090-150*4
BAYHTMA416B	460V/60Hz/3-Phase	16	1	EDK090-150*4
BAYHTMA425B	460V/60Hz/3-Phase	25	1	EDK090-102*4
BAYHTMA433B	460V/60Hz/3-Phase	33	2	EDK090-150*4
BAYHTMA441B	460V/60Hz/3-Phase	41	2	EDK090-150*4
BAYHTMA450B	460V/60Hz/3-Phase	50	2	EDK120-150*4
	575V/60Hz/3-Phase			
	575V/60Hz/3-Phase			
	575V/60Hz/3-Phase			
	575V/60Hz/3-Phase			
	575V/60Hz/3-Phase			
	575V/60Hz/3-Phase			

① Heater kW ratings are at 208/240V for 208/230V units, 480V for 460V units, 600V for 575V units.

② Heater model numbers ending with B are compatible with R-454B.



It's Hard To Stop A Trane.®

# Foundation™ Packaged Cooling Rooftop Units 15-25 Tons, R-454B



- Operating Charge of R-454B
- Scroll Compressors on all units
- Low ambient operation of 45 degrees F as standard
- Single side service access
- Provisional through the base field insalled option
- Two inch throwaway filters as standard
- Symbio700™ Controls
- Molded handles on service access doors
- Convertible airflow on all units, all models ship with downflow airflow
- Sloped, non-corrosive drain pan
- Separate high and low voltage areas in control box
- Liquid Line Refrigerant Drier
- 1-year limited parts warranty
- 5-year limited compressor warranty
- 5-year limited aluminized heat exchanger warranty
- 10-year limited stainless steel heat exchanger warranty

Table LPC-14-A — Foundation™ - R-454B - Electromechanical Controls

Tons	Unit Model No ①	Power Supply Volts/Phase/Hz	Performance SEER	AHRI Net Cooling Capacity (Btuh)	Dimensions (in.) H x W x L	Shipping Weight (lbs.)	MCA**	Max Fuse Size or Max Circuit Breaker**	Downflow Roofcurb
<b>EDK - Three Phase No Heat</b>									
15	EDK180A3S0A1DQY	208-230/3/60	14.2	182,000	59 <sup>5</sup> / <sub>16</sub> x 86 <sup>15</sup> / <sub>16</sub> x 123 <sup>1</sup> / <sub>8</sub>	2216	70	100	BAYCURB027*
17.5	EDK210A3S0A1DQY	208-230/3/60	14.2	206,000	59 <sup>5</sup> / <sub>16</sub> x 86 <sup>15</sup> / <sub>16</sub> x 123 <sup>1</sup> / <sub>8</sub>	2221	91	125	BAYCURB027*
20	EDK240A3S0A1DQY	208-230/3/60	13.2	240,000	59 <sup>5</sup> / <sub>16</sub> x 86 <sup>15</sup> / <sub>16</sub> x 123 <sup>1</sup> / <sub>8</sub>	2227	104	125	BAYCURB027*
25	EDK300A3S0A1DQY	208-230/3/60	13.2	266,000	59 <sup>5</sup> / <sub>16</sub> x 86 <sup>15</sup> / <sub>16</sub> x 123 <sup>1</sup> / <sub>8</sub>	2263	121	150	BAYCURB027*
15	EDK180A4S0A1DQY	460/3/60	14.2	182,000	59 <sup>5</sup> / <sub>16</sub> x 86 <sup>15</sup> / <sub>16</sub> x 123 <sup>1</sup> / <sub>8</sub>	2216	35	45	BAYCURB027*
17.5	EDK210A4S0A1DQY	460/3/60	14.2	206,000	59 <sup>5</sup> / <sub>16</sub> x 86 <sup>15</sup> / <sub>16</sub> x 123 <sup>1</sup> / <sub>8</sub>	2221	44	60	BAYCURB027*
20	EDK240A4S0A1DQY	460/3/60	13.2	240,000	59 <sup>5</sup> / <sub>16</sub> x 86 <sup>15</sup> / <sub>16</sub> x 123 <sup>1</sup> / <sub>8</sub>	2227	51	70	BAYCURB027*
25	EDK300A4S0A1DQY	460/3/60	13.2	266,000	59 <sup>5</sup> / <sub>16</sub> x 86 <sup>15</sup> / <sub>16</sub> x 123 <sup>1</sup> / <sub>8</sub>	2263	58	80	BAYCURB027*
15	EDK180AWS0A1DQY	575/3/60	14.2	182,000	59 <sup>5</sup> / <sub>16</sub> x 86 <sup>15</sup> / <sub>16</sub> x 123 <sup>1</sup> / <sub>8</sub>	2216	28	40	BAYCURB027*
17.5	EDK210AWS0A1DQY	575/3/60	14.2	206,000	59 <sup>5</sup> / <sub>16</sub> x 86 <sup>15</sup> / <sub>16</sub> x 123 <sup>1</sup> / <sub>8</sub>	2221	36	50	BAYCURB027*
20	EDK240AWS0A1DQY	575/3/60	13.2	240,000	59 <sup>5</sup> / <sub>16</sub> x 86 <sup>15</sup> / <sub>16</sub> x 123 <sup>1</sup> / <sub>8</sub>	2227	39	50	BAYCURB027*
25	EDK300AWS0A1DQY	575/3/60	13.2	266,000	59 <sup>5</sup> / <sub>16</sub> x 86 <sup>15</sup> / <sub>16</sub> x 123 <sup>1</sup> / <sub>8</sub>	2263	43	50	BAYCURB027*

① DQY = does include factory-installed multi-speed motors

\*\*Information is subject to change. Please confirm current product data within respective catalogs, IOMs or Trane Select Assist

Light Commercial  
Packaged Cooling



# Symbio700™ Foundation™ Package

## Cooling 15-25 Ton, R-454B

### Accessories and Heaters

Light Commercial  
Packaged Cooling

**Table LPC-15-A — Symbio700™ Foundation™ Controls - R-454B - Field Installed Accessories**

Part Number	Description	Used With	Literature Resource
BAYCURB027*	Roof curb	ALL	ACC-SVN73*-EN
BAYGARD300*	Tool-less Hail Guard	ALL	ACC-SVN158*-EN
BAYHZRT001*	Horizontal Duct Conversion Kit	ALL	ACC-SVN159*-EN
BAYTBUE301*	Through the Base - Elec.	ALL	ACC-SVN151*-EN
BAYDSCF306*	Non-Fused Disconnect	ALL	ACC-SVN151*-EN
BAYCO2K301*	Wall Mounted CO2 Sensor	ALL	ACC-SVN173*-EN
BAYCO2K300*	Duct Mounted CO2 Sensor	ALL	ACC-SVN173*-EN
BAYCOSW301*	Condensate Overflow①	ALL	ACC-SVN306*-EN
BAYCCHT300*	CCH – 208-230V	208-230V Models	ACC-SVN161*-EN
BAYCCHT301*	CCH - 460V	460V Models	ACC-SVN161*-EN
BAYCCHT302*	CCH – 575V	575V Models	ACC-SVN161*-EN
BAYLOAM305*	Low Ambient Kit	25Ton, 230V Only	ACC-SVN312*-EN
BAYLOAM310*	Evaporator Defrost Control Kit	ALL	ACC-SVN174*-EN
BAYDMPR301*	Damper, Manual	ALL	ACC-SVN300*-EN
BAYDMPR302*	Damper, Motorized ①	ALL	ACC-SVN302*-EN
BAYBARO300*	Barometric Relief Damper	ALL	ACC-SVN304*-EN
BAYECON302*	Economizer, Dry Bulb, Downflow ①	ALL	ACC-SVN303*-EN
BAYECON358*	Low Leak Economizer, Dry Bulb, Downflow W/FDD ①	ALL	ACC-SVN311*-EN
BAYHZCN301*	Economizer Conversion Kit	ALL	ACC-SVN308*-EN
BAYENTH305*	Reference Enthalpy Kit ①	ALL	ACC-SVN309*-EN
BAYENTH306*	Comparative Enthalpy Kit ①	ALL	ACC-SVN310*-EN
BAYPWRX303*	Power Exhaust, 3-5T DF, 208-230V	208-230V Models	ACC-SVN305*-EN
BAYPWRX304*	Power Exhaust, 3-5T DF, 460V	460V Models	ACC-SVN305*-EN
BAYPWRX305*	Power Exhaust, 3-5T DF, 575V	575V Models	ACC-SVN305*-EN
BAYDFDB001*	Differential Drybulb Economizer Control	ALL	ACC-SVN296*-EN
BAYFILT301*	MERV 13 Filter Kit	ALL	ACC-SVN313*-EN
BAYSCCM001*	Symbio Customer Connection Module	ALL	ACC-SVN295*-EN
BAYOPTN001*	Options Module	ALL	ACC-SVN294*-EN
BAYOPTN002*	Fresh Air Options Module	ALL	ACC-SVN293*-EN

① May require additional options module

\*\* Information is subject to change. Please confirm current product data within respective catalogs, IOMs or Trane Select Assist

**Table LPC-15-B — Symbio700™ Foundation™ Controls - R-454B - Field Installed Electric Heaters**

Model Number	Power Supply	kW Rating①	No. Stages	Used With
BAYHTFE318*	208-230V/60Hz/3-Phase	13.5/18.0	1	EDK180*3
BAYHTFE336*	208-230V/60Hz/3-Phase	27.0/36.0	2	EDK180*3
BAYHTFF336*	208-230V/60Hz/3-Phase	27.0/36.0	2	EDK210-240*3
BAYHTFH336*	208-230V/60Hz/3-Phase	27.0/36.0	2	EDK300*3
BAYHTFE354*	208-230V/60Hz/3-Phase	40.5/54.0	2	EDK180*3
BAYHTFF354*	208-230V/60Hz/3-Phase	40.5/54.0	2	EDK210-240*3
BAYHTFH354*	208-230V/60Hz/3-Phase	40.5/54.0	2	EDK300*3
BAYHTFF372*	208-230V/60Hz/3-Phase	54.0/72.0	2	EDK210-240*3
BAYHTFH372*	208-230V/60Hz/3-Phase	54.0/72.0	2	EDK300*3
BAYHTFE418*	460V/60Hz/3-Phase	18	1	EDK180*4
BAYHTFF436*	460V/60Hz/3-Phase	36	2	EDK180-210*4
BAYHTFG436*	460V/60Hz/3-Phase	36	2	EDK240*4
BAYHTFH436*	460V/60Hz/3-Phase	36	2	EDK300*4
BAYHTFF454A	460V/60Hz/3-Phase	54	2	EDK180-210*4
BAYHTFG454A	460V/60Hz/3-Phase	54	2	EDK240*4
BAYHTFH454A	460V/60Hz/3-Phase	54	2	EDK300*4
BAYHTFF472A	460V/60Hz/3-Phase	72	2	EDK210*4
BAYHTFG472A	460V/60Hz/3-Phase	72	2	EDK240*4
BAYHTFH472A	460V/60Hz/3-Phase	72	2	EDK300*4
BAYHTFEW18A	575V/60Hz/3-Phase	18	1	EDK180*W
BAYHTFFW36A	575V/60Hz/3-Phase	36	2	EDK180-210*W
BAYHTFFHW36A	575V/60Hz/3-Phase	36	2	EDK240-300*W
BAYHTFFW54A	575V/60Hz/3-Phase	54	2	EDK180-210*W
BAYHTFFHW54A	575V/60Hz/3-Phase	54	2	EDK240-300*W
BAYHTFFW72A	575V/60Hz/3-Phase	54	2	EDK210*W
BAYHTFFHW72A	575V/60Hz/3-Phase	72	2	EDK240-300*W

① Heater kW ratings are at 208/240V for 208/230V units, 480V for 460V units, 600V for 575V units.

For complete equipment / combination selections, installation instructions and warranty information, please refer to Product Data/Ratings and/or Installers Guides and Limited Warranty Handbooks.



# Precedent™ Packaged Cooling Convertible 3-5 Tons, R-410A



Beveled Top  
Smoother Design  
Small compact cabinet  
Recessed access handles

## Standard Features:

- Operating Charge of R-410A
- Trane scroll compressors on all 3-5 ton units
- Colored and numbered wiring
- Phase Monitor, R-410A, 3 Phase Units
- Provisions for through the Base Condensate Drain Connections
- Crankcase Heaters
- 2" throwaway filters provided on all units
- Liquid Line Refrigerant Drier
- IAQ Sloped Drain Pans
- Single point power for Electric Heat
- Low Ambient to 40°F on Electromechanical models
- Low Ambient to 0°F on ReliaTel™ models
- 5 - year Limited Compressor Warranty
- 1 - year Limited Parts Warranty

## Added Flexibility

- Electromechanical or ReliaTel™ controls  
(See page LPC-9 for ReliaTel™ Control Information)
- Standard or high efficiency cooling models available. 17+ available in 3-5T. For reference to 17+ please refer to publications RT-PRC048-EN and RT-SLB020-EN.
- Convertible airflow (ships in downflow application)
- Fork lift openings on three sides of unit
- Direct or belt drive - standard or oversized motors (Direct for 3-5 ton only)
- We don't prepackage options
- Choose options tailored to suit each job —pay only for what is needed
- Units ship with options installed —and within our standard ship cycle time

## Factory Installed Options

- Through-the-Base — Electrical & Gas
- Convenience Outlet — Powered or unpowered
- Unit Disconnect Switch
- Smoke Detectors — Supply, return, or both
- Condenser Coil Coating
- Hinged Access Service Panels
- Discharge Air Sensor
- Fan Fail and Clogged Filter Switches
- Condenser Coil Guard — Hail Protection Quality
- Dehumidification Hot Gas Reheat Coil (High Efficiency Units Only)
- Froststat
- TCI (Trane Communications Interface)
- LonTalk® (Communications Interface)
- BACnet™ (Communications Interface)
- 2" Pleated Media filters
- 2" MERV 8 filters or 2" MERV 13 filters
- Multi-Speed & Single Zone VAV ID Airflow
- Demand Control Ventilation
- Stainless Steel Drainpan
- Condensate Drainpan Overflow Switch

**The same Trane Quality and Reliability ... with added Flexibility!**



It's Hard To Stop A Trane.®

# Precedent™ Packaged Cooling Convertible 3-5 Tons, R-410A

**Table R-410A-LPC-2-A — Precedent™ 17 Plus — ReliaTel™ Controls Only**

Tons	Unit Ordering No.	Performance SEER	Cooling Capacity (Btuh)	Cabinet Dimensions (in.) H x W x L	Downflow Supply	Downflow Return	Shipping Weight (lbs.)	MCA**	Max Fuse**
<b>THC - 208-230/3/60 - Three Phase - No Heat ③</b>									
3	THC037E3R0A005D	17.5	36,500	36 x 44 x 69	18 x 15.5	24 x 14	614	24	30
4	THC047E3R0A005D	17.5	50,500	41 x 53 x 88	33 x 17.5	32 x 17.5	787	30	40
5	THC067E3R0A005D	17.2	60,000	41 x 53 x 88	33 x 17.5	32 x 17.5	841	33	45
<b>THC - 460/3/60 - Three Phase - No Heat ③</b>									
3	THC037E4R0A005D	17.5	36,500	36 x 44 x 69	18 x 15.5	24 x 14	614	12	15
4	THC047E4R0A005D	17.5	50,500	41 x 53 x 88	33 x 17.5	32 x 17.5	787	14	20
5	THC067E4R0A005D	17.2	60,000	41 x 53 x 88	33 x 17.5	32 x 17.5	841	16	20

005D = Includes Factory-Installed Hail Guards

**Table R-410A-LPC-2-B — Base Unit — 15 SEER High Efficiency — Electromechanical or ReliaTel™**

Tons	Unit Ordering No.	Performance SEER	Cooling Capacity (Btuh)	Cabinet Dimensions (in.) H x W x L	Downflow Supply	Downflow Return	Shipping Weight (lbs.)	MCA**	Max Fuse**
<b>THC - 208/3/60 - Three Phase - No Heat ③</b>									
3	THC036E3*0A005D	15.0	37,600	36 x 44 x 69	18 x 15.5	24 x 14	555	21	30
4	THC048E3*0A005D	14.2	49,930	41 x 53 x 88	33 x 17.5	32 x 17.5	787	26	35
5	THC060E3*0A005D	14.2	61,000	41 x 53 x 88	33 x 17.5	32 x 17.5	841	30	45
<b>THC - 460/3/60 - Three Phase - No Heat ③</b>									
3	THC036E4*0A005D	15.0	37,600	36 x 44 x 69	18 x 15.5	24 x 14	555	12	15
4	THC048E4*0A005D	14.2	49,930	41 x 53 x 88	33 x 17.5	32 x 17.5	787	13	15
5	THC060E4*0A005D	14.2	61,000	41 x 53 x 88	33 x 17.5	32 x 17.5	841	14	20
<b>THC - 575/3/60 - Three Phase - No Heat</b>									
3	THC037EWR0A005D	15	37,600	36 x 44 x 69	18 x 15.5	24 x 14	555	9	15
4	THC047EWR0A005D	14.2	49,500	41 x 53 x 88	33 x 17.5	32 x 17.5	787	11	15
5	THC067EWR0A005D	14.2	61,000	41 x 53 x 88	33 x 17.5	32 x 17.5	841	12	15

**Table R-410A-LPC-2-C — Base Unit — 14 SEER — Electromechanical or ReliaTel™**

Tons	Unit Ordering No.	Performance SEER	Cooling Capacity (Btuh)	Cabinet Dimensions (in.) H x W x L	Downflow Supply	Downflow Return	Shipping Weight (lbs.)	MCA**	Max Fuse**
<b>TSC - 208-230/3/60 - Three Phase - No Heat ③</b>									
3	TSC036G3*0A005D	14.0	37,000	41 x 44 x 69	18 x 15.5	24 x 14	537	20	30
4	TSC048G3*0A005D	14.0	49,000	41 x 44 x 69	18 x 15.5	24 x 14	557	26	35
5	TSC060G3*0A005D	14.0	60,000	41 x 44 x 69	18 x 15.5	24 x 14	603	29	40
<b>TSC - 460/3/60 - Three Phase - No Heat ③</b>									
3	TSC036G4*0A005D	14.0	37,000	41 x 44 x 69	18 x 15.5	24 x 14	537	10	15
4	TSC048G4*0A005D	14.0	49,000	41 x 44 x 69	18 x 15.5	24 x 14	557	11	15
5	TSC060G4*0A005D	14.0	60,000	41 x 44 x 69	18 x 15.5	24 x 14	603	13	15
<b>TSC - 575/3/60 - Three Phase - No Heat ③</b>									
3	TSC036GW*0A005D	14.0	37,000	41 x 44 x 69	18 x 15.5	24 x 14	537	8	15
4	TSC048GW*0A005D	14.0	49,000	41 x 44 x 69	18 x 15.5	24 x 14	557	10	15
5	TSC060GW*0A005D	14.0	60,000	41 x 44 x 69	18 x 15.5	24 x 14	603	10	15

① HACR breaker per NEC.

② SEER applies, 3-5 tons; EER applies 6-10 tons.

③ Precedent R-410A TSC/THC accessory part numbers are now orderable as aftermarket kits. Some exceptions may apply.

\* Digit 9 - E = Electromechanical or R = ReliaTel™.

\*\* Information subject to change. Please confirm with current Product Data/Service Facts for current factory production.

All Precedent R-410A accessory part numbers are now orderable via aftermarket part kits, some exceptions may apply.

Light Commercial Packaged Cooling - R-410A



# Precedent™ Packaged Cooling Convertible 3-5 Tons, R-410A (Model Digit Numbers)

Digit	Description	Order Number	Digit	Description	Order Number
1-8	Main Assembly (see previous page)		20	Convenience Outlet	
9	Unit Controls			No Convenience Outlet.....0	
	Electro-Mechanical.....E			Unpowered Convenience Outlet.....A	
	ReliaTel™ Micro-processor.....R			Powered Convenience Outlet (3 phase only)③.....B	
10	(See Heater Table below)		21	Communications Options④	
11	Design Sequence	*		No Communications Interface.....0	
				Trane Communications Interface (TCI).....1	
12-13	Service Sequence			LonTalk® Communications Interface (LCI).....2	
	First Sequence (Factory Supplied).....*,*			BACnet™ Communications Interface.....6	
14	Fresh Air Selection		22	Refrigeration System Option	
	No Fresh Air.....0			Standard Refrigeration System.....0	
	0-50% Manual Outside Air Damper⑥.....A			Dehumidification (Hot Gas Reheat Coil)⑥.....B	
	0-50% Motorized Outside Air Damper.....B		23	Refrigeration Controls	
	0-100% Economizer, Dry Bulb without Barometric Relief②.....C			<i>Note: Applicable to Digit 7 = E,F</i>	
	0-100% Economizer, Dry Bulb with Barometric Relief②.....D			No Refrigeration Control.....0	
	0-100% Economizer, Reference Enthalpy			Frostat④.....1	
	without Barometric Relief①②.....E		24	Smoke Detector⑤⑦	
	0-100% Economizer, Reference Enthalpy			No Smoke Detector.....0	
	with Barometric Relief①②.....F			Return Air Smoke Detector⑦.....A	
	0-100% Economizer, Comparative Enthalpy			Supply Air Smoke Detector.....B	
	without Barometric Relief ①②.....G			Supply and Return Air Smoke Detectors⑦.....C	
	0-100% Economizer, Comparative Enthalpy			Plenum Smoke Detector.....D	
	with Barometric Relief ①②.....H		25	Monitoring Controls④	
	Low Leak Economizer, Dry Bulb with Barometric Relief.....K			No Monitoring Control④.....0	
	Low Leak Economizer, Comparative Enthalpy			Clogged Filter Switch④.....1	
	with Barometric Relief.....M			Fan Failure Switch④.....2	
	Low Leak Economizer, Reference Enthalpy			Discharge Air Sensing Tube④.....3	
	with Barometric Relief.....P			Clogged Filter Switch and Fan Fail Switch④.....4	
15	Supply Fan/Drive Type/Motor			Clogged Filter Switch and Discharge Air Sensing Tube④.....5	
	Standard Drive.....0			Fan Fail Switch and Discharge Air Sensing Tube④.....6	
	Oversized Motor.....1			Clogged Filter and Fan Fail Switches	
	Optional Belt Drive Motor (3 phase only).....2			and Discharge Air Sensing Tube④.....7	
	Single Zone VAV.....6			Condensate Drain Pan Overflow Switch.....A	
	Multi-Speed Indoor Fan.....7			Clogged Filter Switch④ and Condensate Drain Pan	
	VAV Supply Air Temperature Control Standard Motor.....E			Overflow Switch.....B	
16	Hinged Service Access & Filters			Fan Failure Switch④ and Condensate Drain Pan	
	Standard Panels & Filters.....0			Overflow Switch.....C	
	Hinged Access Panels & Standard Filters.....A			Discharge Air Sensing④ and Condensate Drain Pan	
	Standard Panels & 2" Pleated Filters MERV 8.....B			Overflow Switch.....D	
	Hinged Access Panels & 2" Pleated Filters MERV 8.....C			Clogged Filter Switch④, Fan Failure Switch④ and	
	Standard Panels/2" MERV 13 Filters.....D			Condensate Drain Pan Overflow Switch.....E	
	Hinged Access Panels/2" MERV 13 Filters.....E			Clogged Filter Switch④, Discharge Air Sensing Tube④	
17	Condenser Coil Protection			and Condensate Drain Pan Overflow Switch.....F	
	Standard Coil.....0			Fan Failure Switch, Discharge Air Sensing Tube④ and	
	Standard Coil with Hail Guard.....1			Condensate Drain Pan Overflow Switch.....G	
	Black Epoxy Pre-Coated Condenser Coil.....2			Clogged Filter Switch④, Fan Failure Switch④, Discharge	
	Black Epoxy Pre-Coated Condenser Coil with Hail Guard.....3			Air Sensing④ and Condensate Drain Pan Overflow Switch.....H	
	Complete Coat™ Condenser Coil.....4		26	System Monitoring Controls	
	Complete Coat™ Condenser Coil with Hail Guard.....5			No Monitoring Controls.....0	
18	Through the Base Provisions			Demand Control Ventilation (CO <sub>2</sub> )④⑧.....A	
	No Through the Base Provisions.....0		27	Unit Hardware Enhancements	
	Through the Base Electric④.....A			No Enhancements.....0	
19	Disconnect/Circuit Breaker /Phase Monitor (3 phase only)			Stainless Steel Drain Pan.....1	
	No Disconnect/ Circuit Breaker.....0		31	Advanced Unit Controls	
	Unit Mounted Non-Fused Disconnect④.....1			Standard Unit Controls.....0	
	Unit Mounted Circuit Breaker④.....2			Human Interface.....1	

Light Commercial  
Packaged Cooling - R-410A

① Enthalpy control not available factory installed with electro-mechanical controls.  
 ② Economizer with Barometric Relief is for downflow configured units only. Order Economizer without Barometric Relief for horizontal configuration. Barometric relief for horizontal configured units must be ordered as field installed accessory BAYBARM010A.  
 ③ Requires use of Disconnect or Circuit Breaker.  
 ④ Frostat cannot be field installed in electro-mechanical units.  
 ⑤ Not available with BAYFRST001A High Temperature Stat accessory.  
 ⑥ The return air smoke detector may not fit up or work properly on the Convertible units when used in conjunction with 3rd party accessories such as bolt on heat wheels, economizers and power exhaust. Do not order the return air smoke detectors when using this type of accessory.  
 ⑦ Return Air Smoke Detector cannot be ordered with Novar Controls.  
 ⑧ These options are standard when ordering Novar Controls.  
 ⑨ This options for use when ordering Novar Control only.  
 ⑩ The manual outside air damper will ship factory supplied within the unit, but must be field installed.  
 ⑪ Through the base electric required when ordering disconnect/circuit breaker options.  
 ⑫ Not available with electro-mechanical unit controls.  
 ⑬ Novar Sensor utilized with digit 21 = (4) Novar 3051 Controls without Zone Sensor.  
 ⑭ Available for T/Y 10 ton standard efficiency models only.  
 ⑮ Available for T/Y 3, 4, 5, 6, 7½, 8½ ton standard/high efficiency models only.  
 ⑯ Requires selection of 2" Pleated Filters (option B or C) for Digit 16.  
 ⑰ Not available on 6 ton units and all single phase or standard efficiency.  
 ⑱ Standard on T/YSC 6, 7½ (single and dual systems), 8½, 10 ton standard efficiency models and T/YHC 4, 5, 6, 7½ ton high efficiency models (except for dehumidification models).  
 ⑲ Epoxy coil and epoxy with hailguard options are not available for units with microchannel condenser coil.  
 ⑳ Single Zone VAV is only available on 7.5-10 ton high efficiency and 10 ton standard efficiency products with ReliaTel™ controls.  
 ㉑ Multi-speed indoor fan available only on 7.5 & 8.5 ton high efficiency, and 10 ton products with ReliaTel™ controls.  
 ㉒ Motorized Outside Air Damper is not available on Multi-Speed or SZVAV (Single Zone Variable Air Volume) products.  
 ㉓ Frostat standard on Multi-Speed and SZVAV (Single Zone Variable Air Volume) products.  
 ㉔ Novar is not available with SZVAV products.  
 ㉕ Demand Control Ventilation not available with electromechanical controls.  
 ㉖ Demand Control Ventilation Option includes wiring only. The CO<sub>2</sub> sensor is a field-installed only option.  
 ㉗ When ordering Dehumidification option, Digit #7 will revert back to E, not F.



It's Hard To Stop A Trane.®

# Precedent™ Packaged Cooling Convertible 3-5 Tons, R-410A (Model Digit Numbers)

## Heaters (Digit 10)

kW Rating	Digit	Nominal BTUH	No. Stages	Used With
<b>208/240/3/60</b>				
4.5/6.0	(B)	13,400/20,500	1	T*C036-060*3
9.0/12.0	(E)	30,800/59,400	2	T*C036-060*3
13.1/17.4	(G)	44,600/59,400	2	T*C036-060*3
17.2/23.0	(J)	58,900/78,500	2	T*C060*3
<b>460/3/60</b>				
6.0	(B)	20,500	1	T*C036-060*4
12.0	(E)	41,000	2	T*C036-060*4
17.4	(G)	59,400	2	T*C036-060*4
23.0	(J)	78,500	2	T*C060*4
<b>575/3/60</b>				
6.0	(B)	20,500	1	TSC036-060*W
12.0	(E)	41,000	2	TSC036-060*W
17.4	(G)	59,400	2	TSC036-060*W
23.0	(J)	78,500	2	T*C060*W

### Digit 15 Selection Details

#### Digit 15 = 0

##### Standard Efficiency

3 Phase (3 to 5 Ton) = Multispeed Direct Drive Motor

##### High Efficiency

3 Phase (3 to 5 ton) = High Efficiency Multispeed Direct Drive Motor

3 Phase (3 to 5 ton w/Dehumidification) = Belt Drive Motor

#### Digit 15 = 2

##### Standard Efficiency

3 Phase = Not Available

##### High Efficiency

1 Phase = Not Available

Light Commercial  
Packaged Cooling - R-410A



# Precedent™ Packaged Cooling with Symbio™ Convertible 6-25 Tons, R-410A



Small compact cabinet  
Recessed access handles

## Standard Features:

- Operating Charge of R-410A
- Symbio 700 controller
- MultiSpeed Indoor
- Manifolded scroll compressors
- 6-17.5 tons = 3 stages of cooling; 20-25 tons = 4 stages of cooling
- Microchannel condenser and evaporator coils
- Colored, keyed, and numbered wiring
- Froststat
- Phase monitor
- Coil/Hailguards
- Crankcase heaters on all compressors
- 2" filters
- Backward curved direct drive plenum supply fan
- Liquid line refrigerant drier
- Composite dual sloped drain pans
- Single point power for electric heat
- Low Ambient cooling to 40°F
- 5 - year Limited Compressor Warranty
- 3 - year Limited Parts Warranty

## Added Flexibility

- Standard or high efficiency cooling models available.
- Convertible airflow (ships in downflow application)
- 2" filters included
- Fork lift openings on three sides of unit
- Choose options tailored to suit each job —pay only for what is needed
- Units ship with options installed —and within our standard ship cycle time
- Low Ambient cooling to 0°F

## Factory Installed Options

- Outdoor air dampers (manual or motorized)
- Economizers (Base or Low Leak)
- Dry Bulb, Reference Enthalpy, Comparative Enthalpy, or Differential Dry Bulb economizer control options
- Multiple electric heat solutions
- Through-the-Base — Electrical
- Convenience Outlet — Powered or unpowered
- Unit Disconnect Switch
- Smoke Detectors — Supply, return, or both
- Condenser Coil Coating
- Hinged Access Service Panels
- Discharge Air Sensor
- Clogged Filter Switch
- Dehumidification (Modulating Hot Gas Reheat)
- Symbio 700 BACnet® communication interface license
- Symbio 700 LonTalk® communication interface license
- 2" MERV 8 filters or 2" MERV 13 filters
- Single Zone or Multiple Zone VAV Indoor Airflow
- Demand Control Ventilation
- Stainless Steel Drainpan
- Condensate Drainpan Overflow Switch



# Precedent™ Packaged Cooling with Symbio™ Convertible 6 - 25 Tons, R-410A

Table R-410A-LPC-6-A – Precedent™ High Efficiency – Symbio

Tons	Unit Ordering No.	Performance IER(2-speed)/EER	Gross Cooling Capacity (Btuh)	Cabinet Dimensions (in.) H x W x L	Cabinet	Shipping Weight (lbs.)	MCA**	Max Fuse**
<b>THJ – 208-230/3/60 – Three Phase – No Heat</b>								
6	THJ072A3S000000	16.0/12.3	73,000	50 <sup>7</sup> / <sub>8</sub> x 53 <sup>1</sup> / <sub>4</sub> x 88 <sup>1</sup> / <sub>8</sub>	B	1007	38	50
7.5	THJ090A3S000000	16.8/12.3	91,000	50 <sup>7</sup> / <sub>8</sub> x 53 <sup>1</sup> / <sub>4</sub> x 88 <sup>1</sup> / <sub>8</sub>	B	1011	42	50
8.5	THJ102A3S000000	16.8/12.3	104,000	50 <sup>7</sup> / <sub>8</sub> x 53 <sup>1</sup> / <sub>4</sub> x 88 <sup>1</sup> / <sub>8</sub>	B	1027	48	60
10	THJ120A3S000000	15.5/11.7	122,000	50 <sup>7</sup> / <sub>8</sub> x 53 <sup>1</sup> / <sub>4</sub> x 88 <sup>1</sup> / <sub>8</sub>	B	1037	54	70
12.5	THJ150B3S000000	15.3/11.0	147,000	50 <sup>7</sup> / <sub>8</sub> x 63 <sup>1</sup> / <sub>8</sub> x 99 <sup>5</sup> / <sub>8</sub>	C	1412	67	90
15	THJ180A3S000000	17.6/12.1	185,000	59 x 87 x 123	D	2040	78	100
17.5	THJ210A3S000000	15.8/11.7	214,000	59 x 87 x 123	D	2070	93	125
20	THJ240A3S000000	16.5/11.0	246,000	59 x 87 x 123	D	2140	108	125
25	THJ300A3S000000	15.8/10.7	281,000	59 x 87 x 123	D	2190	119	150
<b>THJ – 460/3/60 – Three Phase – No Heat</b>								
6	THJ072A4S000000	16.0/12.3	73,000	50 <sup>7</sup> / <sub>8</sub> x 53 <sup>1</sup> / <sub>4</sub> x 88 <sup>1</sup> / <sub>8</sub>	B	1007	21	20
7.5	THJ090A4S000000	16.8/12.3	91,000	50 <sup>7</sup> / <sub>8</sub> x 53 <sup>1</sup> / <sub>4</sub> x 88 <sup>1</sup> / <sub>8</sub>	B	1011	21	25
8.5	THJ102A4S000000	16.8/12.3	104,000	50 <sup>7</sup> / <sub>8</sub> x 53 <sup>1</sup> / <sub>4</sub> x 88 <sup>1</sup> / <sub>8</sub>	B	1027	25	30
10	THJ120A4S000000	15.5/11.7	122,000	50 <sup>7</sup> / <sub>8</sub> x 53 <sup>1</sup> / <sub>4</sub> x 88 <sup>1</sup> / <sub>8</sub>	B	1037	29	40
12.5	THJ150B4S000000	15.3/11.0	147,000	50 <sup>7</sup> / <sub>8</sub> x 63 <sup>1</sup> / <sub>8</sub> x 99 <sup>5</sup> / <sub>8</sub>	C	1412	31	40
15	THJ180A4S000000	17.6/12.1	185,000	59 x 87 x 123	D	2040	41	50
17.5	THJ210A4S000000	15.8/11.7	214,000	59 x 87 x 123	D	2070	49	60
20	THJ240A4S000000	16.5/11.0	246,000	59 x 87 x 123	D	2140	54	70
25	THJ300A4S000000	15.8/10.7	281,000	59 x 87 x 123	D	2190	59	80
<b>THJ – 575/3/60 – Three Phase – No Heat</b>								
6	THJ072AWS000000	16.0/12.3	73,000	50 <sup>7</sup> / <sub>8</sub> x 53 <sup>1</sup> / <sub>4</sub> x 88 <sup>1</sup> / <sub>8</sub>	B	1007	17	15
7.5	THJ090AWS000000	16.8/12.3	91,000	50 <sup>7</sup> / <sub>8</sub> x 53 <sup>1</sup> / <sub>4</sub> x 88 <sup>1</sup> / <sub>8</sub>	B	1011	17	20
8.5	THJ102AWS000000	16.8/12.3	104,000	50 <sup>7</sup> / <sub>8</sub> x 53 <sup>1</sup> / <sub>4</sub> x 88 <sup>1</sup> / <sub>8</sub>	B	1027	19	25
10	THJ120AWS000000	15.5/11.7	122,000	50 <sup>7</sup> / <sub>8</sub> x 53 <sup>1</sup> / <sub>4</sub> x 88 <sup>1</sup> / <sub>8</sub>	B	1037	22	30
12.5	THJ150BWS000000	15.3/11.0	147,000	50 <sup>7</sup> / <sub>8</sub> x 63 <sup>1</sup> / <sub>8</sub> x 99 <sup>5</sup> / <sub>8</sub>	C	1412	25	30
15	THJ180AWS000000	17.6/12.1	185,000	59 x 87 x 123	D	2040	32	40
17.5	THJ210AWS000000	15.8/11.7	214,000	59 x 87 x 123	D	2070	37	50
20	THJ240AWS000000	16.5/11.0	246,000	59 x 87 x 123	D	2140	47	60
25	THJ300AWS000000	15.8/10.7	281,000	59 x 87 x 123	D	2190	46	60

0000 = Includes Factory-Installed Hail Guards and Multi-Speed Motor

\*\* Information subject to change. Please confirm with current product catalog Or IOM for current factory production.

Light Commercial Packaged Cooling - R-410A



# Precedent™ Packaged Cooling with Symbio™ Convertible 6 - 25 Tons, R-410A

**Table R-410A-LPC-7-A – Base Unit – Standard Efficiency – Symbio**

Tons	Unit Ordering No.	Performance IEER(2-speed)/EER	Gross Cooling Capacity (Btuh)	Cabinet Dimensions (in.) H x W x L	Cabinet	Shipping Weight (lbs.)	MCA**	Max Fuse**
<b>TSJ – 208-230/3/60 – Three Phase – No Heat</b>								
6	TSJ072A3S000000	14.8/11.2	73,000	50 <sup>7</sup> / <sub>8</sub> x 53 <sup>1</sup> / <sub>4</sub> x 88 <sup>1</sup> / <sub>8</sub>	B	1007	38	50
7.5	TSJ090A3S000000	14.8/11.2	91,000	50 <sup>7</sup> / <sub>8</sub> x 53 <sup>1</sup> / <sub>4</sub> x 88 <sup>1</sup> / <sub>8</sub>	B	1011	42	50
8.5	TSJ102A3S000000	14.8/11.2	104,000	50 <sup>7</sup> / <sub>8</sub> x 53 <sup>1</sup> / <sub>4</sub> x 88 <sup>1</sup> / <sub>8</sub>	B	1027	48	60
10	TSJ120A3S000000	14.8/11.2	122,000	50 <sup>7</sup> / <sub>8</sub> x 53 <sup>1</sup> / <sub>4</sub> x 88 <sup>1</sup> / <sub>8</sub>	B	1037	54	70
12.5	TSJ150B3S000000	14.2/11.0	147,000	50 <sup>7</sup> / <sub>8</sub> x 63 <sup>5</sup> / <sub>8</sub> x 99 <sup>5</sup> / <sub>8</sub>	C	1412	67	90
15	TSJ180A3S000000	14.2/11.0	185,000	59 x 87 x 123	D	2040	78	100
17.5	TSJ210A3S000000	14.2/11.0	214,000	59 x 87 x 123	D	2070	93	125
20	TSJ240A3S000000	13.2/10.0	246,000	59 x 87 x 123	D	2140	108	125
25	TSJ300A3S000000	13.2/10.0	281,000	59 x 87 x 123	D	2190	119	150
<b>TSJ – 460/3/60 – Three Phase – No Heat</b>								
6	TSJ072A4S000000	14.8/11.2	73,000	50 <sup>7</sup> / <sub>8</sub> x 53 <sup>1</sup> / <sub>4</sub> x 88 <sup>1</sup> / <sub>8</sub>	B	1007	21	20
7.5	TSJ090A4S000000	14.8/11.2	91,000	50 <sup>7</sup> / <sub>8</sub> x 53 <sup>1</sup> / <sub>4</sub> x 88 <sup>1</sup> / <sub>8</sub>	B	1011	21	25
8.5	TSJ102A4S000000	14.8/11.2	104,000	50 <sup>7</sup> / <sub>8</sub> x 53 <sup>1</sup> / <sub>4</sub> x 88 <sup>1</sup> / <sub>8</sub>	B	1027	25	30
10	TSJ120A4S000000	14.8/11.2	122,000	50 <sup>7</sup> / <sub>8</sub> x 53 <sup>1</sup> / <sub>4</sub> x 88 <sup>1</sup> / <sub>8</sub>	B	1037	29	40
12.5	TSJ150B4S000000	14.2/11.0	147,000	50 <sup>7</sup> / <sub>8</sub> x 63 <sup>5</sup> / <sub>8</sub> x 99 <sup>5</sup> / <sub>8</sub>	C	1412	31	40
15	TSJ180A4S000000	14.2/11.0	185,000	59 x 87 x 123	D	2040	41	50
17.5	TSJ210A4S000000	14.2/11.0	214,000	59 x 87 x 123	D	2070	49	60
20	TSJ240A4S000000	13.2/10.0	246,000	59 x 87 x 123	D	2140	54	70
25	TSJ300A4S000000	13.2/10.0	281,000	59 x 87 x 123	D	2190	59	80
<b>TSJ – 575/3/60 – Three Phase – No Heat</b>								
6	TSJ072AWS000000	14.8/11.2	73,000	50 <sup>7</sup> / <sub>8</sub> x 53 <sup>1</sup> / <sub>4</sub> x 88 <sup>1</sup> / <sub>8</sub>	B	1007	17	15
7.5	TSJ090AWS000000	14.8/11.2	91,000	50 <sup>7</sup> / <sub>8</sub> x 53 <sup>1</sup> / <sub>4</sub> x 88 <sup>1</sup> / <sub>8</sub>	B	1011	17	20
8.5	TSJ102AWS000000	14.8/11.2	104,000	50 <sup>7</sup> / <sub>8</sub> x 53 <sup>1</sup> / <sub>4</sub> x 88 <sup>1</sup> / <sub>8</sub>	B	1027	19	25
10	TSJ120AWS000000	14.8/11.2	122,000	50 <sup>7</sup> / <sub>8</sub> x 53 <sup>1</sup> / <sub>4</sub> x 88 <sup>1</sup> / <sub>8</sub>	B	1037	22	30
12.5	TSJ150BWS000000	14.2/11.0	147,000	50 <sup>7</sup> / <sub>8</sub> x 63 <sup>5</sup> / <sub>8</sub> x 99 <sup>5</sup> / <sub>8</sub>	C	1412	24	30
15	TSJ180AWS000000	14.2/11.0	185,000	59 x 87 x 123	D	2040	32	40
17.5	TSJ210AWS000000	14.2/11.0	214,000	59 x 87 x 123	D	2070	37	50
20	TSJ240AWS000000	13.2/10.0	246,000	59 x 87 x 123	D	2140	47	60
25	TSJ300AWS000000	13.2/10.0	281,000	59 x 87 x 123	D	2190	46	60

0000 = Includes Factory-Installed Hail Guards and Multi-Speed Motor

\*\* Information subject to change. Please confirm with current product catalog Or IOM for current factory production.

Light Commercial  
Packaged Cooling - R-410A



It's Hard To Stop A Trane.®

# Precedent™ Packaged Cooling with Symbio Convertible 6-25 Tons, R-410A (Model Digit Numbers)

Light Commercial  
Packaged Cooling - R-410A

Digit	Description	Order Number	Digit	Description	Order Number
1	Unit Function		16	Hinged Service Access & Filters	
	DX Cooling.....	T		Standard Panels/Standard Filters.....	0
2	Cooling Efficiency			Hinged Access Panels/Standard Filters.....	A
	Standard Efficiency.....	S		Standard Panels/2" MERV 8 Filters.....	B
	High Efficiency.....	H		Hinged Access Panels/2" MERV 8 Filters.....	C
3	Refrigerant			Standard Panels/2" MERV 13 Filters.....	D
	R-410A.....	J		Hinged Access Panels/2" MERV 13 Filters.....	E
4,5,6	Nominal Gross Cooling Capacity (MBh)		17	Condenser Coil Protection	
	6 Ton.....	072		Standard Coil.....	0
	7.5 Ton.....	090		Condenser with CompleteCoat™.....	1
	8.5 Ton.....	102	18	Through the Base Provisions	
	10 Ton.....	120		No Through-the-Base-Provisions.....	0
	12.5 Ton.....	150		Through-the-Base Electric.....	A
	15 Ton.....	180	19	Disconnect/Circuit Breaker (3 phase only)	
	17.5 Ton.....	210		No Disconnect/Circuit Breaker.....	0
	20 Ton.....	240		Unit Mounted/Non-Fused Disconnect.....	1
	25 Ton.....	300		Unit Mounted Circuit Breaker.....	2
7	Design Sequence		20	Convenience Outlet	
		*		No Convenience Outlet.....	0
8	Voltage			Unpowered 20A Convenience Outlet.....	A
	208-230/60/3.....	3		Powered 15A Convenience Outlet (3 phase only).....	B
	460/60/3.....	4	21	Communications Options	
	575/60/3.....	W		No Communications Interface.....	0
9	Unit Controls			Advanced Controller with BACnet® Communications Interface.....	1
	Symbio 700.....	S		Advanced Controller with LonTalk® Communications Interface.....	2
10	Heat Type			Advanced Controller with Air-Fi® Communications Interface.....	3
	Base Model (None or Electric).....	0	22	Refrigeration System Option	
11	Heating Capacity			Standard Refrigeration System.....	0
	No Heat.....	0		Dehumidification Option ①③⑤.....	A
	9 kW Electric Heat①.....	C	23	Controls Expansion Module	
	18 kW Electric Heat①.....	G		None.....	0
	27 kW Electric Heat①.....	K		XM-30 Expansion Module.....	1
	36 kW Electric Heat①.....	N		XM-32 Expansion Module.....	2
	54 kW Electric Heat①.....	P		XM-30 and XM-32 Expansion Module.....	3
	72 kW Electric Heat①.....	R		XM-30 Expansion Module (Qty 2).....	4
12-13	Service Sequence			XM-32 Expansion Module (Qty 2).....	5
	Factory Supplied.....	*,*	24	Smoke Detector	
14	Fresh Air Selection			No Smoke Detector.....	0
	No Fresh Air.....	0		Return Air Smoke Detector②.....	A
	Manual Outside Air Damper 0-50%.....	A		Supply Air Smoke Detector①.....	B
	Motorized Outside Air Damper 0-50%②.....	B		Supply and Return Air Smoke Detectors ①②.....	C
	Economizer, Dry Bulb 0-100% without Barometric Relief②⑤.....	C	25	System Monitoring Controls	
	Economizer, Dry Bulb 0-100% with Barometric Relief②⑤.....	D		No Monitoring Control.....	0
	Economizer, Reference Enthalpy 0-100% without Barometric Relief②⑤.....	E		Clogged Filter Switch②.....	1
	Economizer, Reference Enthalpy 0-100% with Barometric Relief②⑤.....	F		Condensate Overflow Switch①.....	2
	Economizer, Comparative Enthalpy 0-100% without Barometric Relief②⑤.....	G		Discharge Air Sensing Tube.....	3
	Economizer, Comparative Enthalpy 0-100% with Barometric Relief②⑤.....	H		Clogged Filter Switch and Condensate Overflow Switch①②.....	4
	Downflow Low Leak Economizer, Dry Bulb with Barometric Relief②⑤.....	K		Clogged Filter Switch and Discharge Air Sensing Tube②.....	5
	Downflow Low Leak Economizer, Reference Enthalpy with Barometric Relief②.....	M		Condensate Overflow Switch and Discharge Air Sensing Tube①.....	6
	Downflow Low Leak Economizer, Comparative Enthalpy with Barometric Relief②⑤.....	P		Clogged Filter Switch, Condensate Overflow Switch and Discharge Air Sensing Tube①②.....	7
	Downflow Low Leak Economizer, Differential Dry Bulb with Barometric Relief②⑤.....	R	26	Not Used	
15	Supply Fan/Drive Type/Motor				
	Standard Drive.....	0	27	Hardware Enhancements	
	Optional Oversized/High Static Motor.....	1		No Enhancements.....	0
	Single Zone Variable Air Volume (SZVAV) with Standard Motor③.....	2		Stainless Steel Drain Pan.....	1
	Single Zone Variable Air Volume (SZVAV) with Oversized/High Static Motor③.....	3	28	Short Circuit Current Rating	
	Multiple Zone Variable Air Volume (MZVAV) with Standard Motor③⑤.....	4		Standard (5k) SCCR Marking.....	0
	Multiple Zone Variable Air Volume (MZVAV) with Oversized/High Static Motor③⑤.....	5		Tier 2 (=65K) SCCR Marking.....	A
			29	Low Ambient④	
				None.....	0

① Includes Symbio Indoor Module.  
 ② Includes Symbio Fresh Air Module.  
 ③ Includes Symbio Customer Connection Module.  
 ④ Standard Low Ambient Cooling Limit is 40°F.  
 ⑤ Includes Discharge Air Sensor



# Precedent™ Packaged Cooling with Symbio Convertible 6-25 Tons, R-410A Electric Heaters

**Table R-410A-LPC-9-A — Accessory — Electric Heaters**

Model Number	Power Supply	kW Rating	Nominal BTUH	No. Stages	Used With Cabinet	Used With
FIAEHTB309*①	208-230/3/60	6.8/9	23,203/30,709	1	B	TSJ/THJ072*3-102*3
FIAEHTB318*①	208-230/3/60	13.5/18	46,064/61,419	1	B	TSJ/THJ072*3-120*3
FIAEHTB327*①	208-230/3/60	20.3/27	69,266/92,128	2	B	TSJ/THJ072*3-120*3
FIAEHTB336*①	208-230/3/60	27/36	92,128/122,837	2	B	TSJ/THJ072*3-120*3
FIAEHTB354*①	208-230/3/60	40.6/54	138,533/184,256	2	B	TSJ/THJ120*3
FIAEHTC318*①	208-230/3/60	13.5/18	46,064/61,419	1	C	TSJ/THJ150*3
FIAEHTC327*①	208-230/3/60	20.3/27	69,266/92,128	2	C	TSJ/THJ150*3
FIAEHTC336*①	208-230/3/60	27/36	92,128/122,837	2	C	TSJ/THJ150*3
FIAEHTC354*①	208-230/3/60	40.6/54	138,533/184,256	2	C	TSJ/THJ150*3
FIAEHTD318*①	208-230/3/60	13.5/18	46,064/61,419	1	D	TSJ/THJ180*3
FIAEHTD336*①	208-230/3/60	27/36	92,128/122,837	2	D	TSJ/THJ180*3-300*3
FIAEHTD354*①	208-230/3/60	40.6/54	138,533/184,256	2	D	TSJ/THJ180*3-300*3
FIAEHTD372*①	208-230/3/60	54/72	184,256/245,674	2	D	TSJ/THJ210*3-300*3
FIAEHTB409*①	460/3/60	9	30,709	1	B	TSJ/THJ072*4-102*4
FIAEHTB418*①	460/3/60	18	61,419	1	B	TSJ/THJ072*4-120*4
FIAEHTB427*①	460/3/60	27	92,128	2	B	TSJ/THJ072*4-120*4
FIAEHTB436*①	460/3/60	36	122,837	2	B	TSJ/THJ072*4-120*4
FIAEHTB454*①	460/3/60	54	184,256	2	B	TSJ/THJ120*4
FIAEHTC418*①	460/3/60	18	61,419	1	C	TSJ/THJ150*4
FIAEHTC427*①	460/3/60	27	92,128	2	C	TSJ/THJ150*4
FIAEHTC436*①	460/3/60	36	122,837	2	C	TSJ/THJ150*4
FIAEHTC454*①	460/3/60	54	184,256	2	C	TSJ/THJ150*4
FIAEHTD418*①	460/3/60	18	61,419	1	D	TSJ/THJ180*4
FIAEHTD436*①	460/3/60	36	122,837	2	D	TSJ/THJ180*4-300*4
FIAEHTD454*①	460/3/60	54	184,256	2	D	TSJ/THJ180*4-300*4
FIAEHTD472*①	460/3/60	72	245,674	2	D	TSJ/THJ210*4-300*4
FIAEHTBW09*①	575/3/60	9	30,709	1	B	TSJ/THJ072*W-102*W
FIAEHTBW18*①	575/3/60	18	61,419	1	B	TSJ/THJ072*W-120*W
FIAEHTBW27*①	575/3/60	27	92,128	2	B	TSJ/THJ072*W-120*W
FIAEHTBW36*①	575/3/60	36	122,837	2	B	TSJ/THJ072*W-120*W
FIAEHTBW54*①	575/3/60	54	184,256	2	B	TSJ/THJ120*W
FIAEHTCW18*①	575/3/60	18	61,419	1	C	TSJ/THJ150*W
FIAEHTCW27*①	575/3/60	27	92,128	2	C	TSJ/THJ150*W
FIAEHTCW36*①	575/3/60	36	122,837	2	C	TSJ/THJ150*W
FIAEHTCW54*①	575/3/60	54	184,256	2	C	TSJ/THJ150*W
FIAEHTDW18*①	575/3/60	18	61,419	1	D	TSJ/THJ180*W
FIAEHTDW36*①	575/3/60	36	122,837	2	D	TSJ/THJ180*W-300*W
FIAEHTDW54*①	575/3/60	54	184,256	2	D	TSJ/THJ180*W-300*W
FIAEHTDW72*①	575/3/60	72	245,674	2	D	TSJ/THJ210*W-300*W

① May require Indoor Options Module (FIAOPTN001\*) if field installed.

(\*) Parts designator subject to change

Light Commercial Packaged Cooling - R-410A



It's Hard To Stop A Trane.®

# Precedent™ Packaged Cooling with Symbio Convertible 6-25 Tons, R-410A Accessories

Table R-410A-LPC-10-A – Accessories

Model Number	Description	Used With Cabinets	Used With
FIABARM002*	Barometric Relief.....	B/C	TSJ/THJ072*-150*
FIABARM003*	Barometric Relief.....	D	TSJ/THJ180-300*
FIAC02K001*	CO2 (DCV) Wall Mounted Sensor.....	ALL	TSJ/THJ072*-300*
FIAC02K002*	CO2 (DCV) Duct Mounted Sensor.....	ALL	TSJ/THJ072*-300*
FIACURB402*	14-inch Full Perimeter Knockdown Curb.....	B	TSJ/THJ072*-120*
FIACURB403*	14-inch Full Perimeter Knockdown Curb.....	C	TSJ/THJ150*
FIACURB404*	14-inch Full Perimeter Knockdown Curb.....	D	TSJ/THJ180*-300*
FIACLFS001*①	Clogged Filter Switch.....	B/C	TSJ/THJ072*-150*
FIACLFS002*②	Clogged Filter Switch (MERV13).....	B/C	TSJ/THJ072*-150*
FIACLFS003*②	Clogged Filter Switch.....	D	TSJ/THJ180*-300*
FIACLFS004*②	Clogged Filter Switch (MERV13).....	D	TSJ/THJ180*-300*
FIADAST003*③	Discharge Air Sensing Tube Kit T/W Models.....	B	TSJ/THJ072*-120*
FIADAST004*③	Discharge Air Sensing Tube Kit Y Models.....	B	YSJ/YHJ072*-120*
FIADAST005*③	Discharge Air Sensing Tube Kit T Models.....	C	TSJ/THJ150*
FIADAST006*③	Discharge Air Sensing Tube Kit Y Models.....	C	YSJ/YHJ150*
FIADAST007*③	Discharge Air Sensing Tube Kit T/W/Y Models (Digit 11 = L).....	D	TSJ/THJ180*-300*
FIADAST008*③	Discharge Air Sensing Tube Kit T/W Models (DIGIT 11 DOES NOT EQUAL L).....	D	TSJ/THJ180*-300*
FIADFDB001*④	Differential Dry Bulb Economizer Control.....	ALL	TSJ/THJ072*-300*
FIADMPR002*	Manual Damper.....	B/C	TSJ/THJ072*-150*
FIADMPR003*	Manual Damper.....	D	TSJ/THJ180*-300*
FIADMPR102*②	Motorized Damper.....	B/C	TSJ/THJ072*-150*
FIADMPR103*②	Motorized Damper.....	D	TSJ/THJ180*-300*
FAIECON002*②⑥	Dry Bulb Economizer.....	B/C	TSJ/THJ072*-150*
FAIECON102*②⑥	Dry Bulb Downflow Low Leak.....	B/C	TSJ/THJ072*-150*
FAIECON003*②⑥	Dry Bulb Downflow Economizer.....	D	TSJ/THJ180*-300*
FAIECON303*②⑥	Dry Bulb Horizontal Economizer.....	D	TSJ/THJ180*-300*
FAIECON103*②⑥	Dry Bulb Downflow Low Leak.....	D	TSJ/THJ180*-300*
FAIECON203*②⑥	Dry Bulb Horizontal Low Leak.....	D	TSJ/THJ180*-300*
FAIENTH001*	Reference Enthalpy Economizer Control.....	ALL	TSJ/THJ072*-300*
FAIENTH002*	Comparative Enthalpy Economizer Control.....	ALL	TSJ/THJ072*-300*
FIAHTST001*	High Temperature (Fire) Duct Mounted Stat.....	ALL	TSJ/THJ072*-300*
FAHZDC001*⑥	Horizontal Conversion Panel.....	D	TSJ/THJ180*-300*
FIALOAM001*	Low Ambient.....	ALL	TSJ/THJ072*-300*
FIALTCI001*	LonTalk Communication Interface.....	ALL	TSJ/THJ072*-300*
FIAOPTN001*	Indoor Options Module.....	ALL	TSJ/THJ072*-300*
FIAOPTN002*	Fresh Air Options Module.....	ALL	TSJ/THJ072*-300*
FIAOVFL001*①	Condensate Overflow Switch.....	ALL	TSJ/THJ072*-300*
FIAPWRX302*②	Power Exhaust 230V.....	B/C	TSJ/THJ072*3-150*3
FIAPWRX402*②	Power Exhaust 460V.....	B/C	TSJ/THJ072*4-150*4
FIAPWRXW02*②	Power Exhaust 575V.....	B/C	TSJ/THJ072*W-150*W
FIAPWRX303*②	Power Exhaust 230V.....	D	TSJ/THJ180*3-300*3
FIAPWRX403*②	Power Exhaust 460V.....	D	TSJ/THJ180*4-300*4
FIAPWRXW03*②	Power Exhaust 575V.....	D	TSJ/THJ180*W-300*W
FAQACB026*	Adapter Curb, Existing BAYCURB026 to New C Cabinet (FIACURB403A).....	C	TSJ/THJ150*
FAQACB027*	Adapter Curb, Existing BAYCURB027 to New C Cabinet (BAYCURB403A).....	C	TSJ/THJ150*
FAQACB044*	Adapter Curb, Existing BAYCURB044 to New B Cabinet (BAYCURB402A).....	B	TSJ/THJ072*-120*
FIASCCM001*③④	Symbio Customer Connection Module.....	ALL	TSJ/THJ072*-300*
FIAXMOD030*④⑤	Symbio 700 XM30 Expansion Module.....	ALL	TSJ/THJ072*-300*
FIAXMOD032*④⑤	Symbio 700 XM32 Expansion Module.....	ALL	TSJ/THJ072*-300*
FIAS7ADV01*	Symbio 700 Advanced Diagnostics And Communicating.....	ALL	TSJ/THJ072*-300*

- ① May require Indoor Options Module (FIAOPTN001\*) if field installed.
- ② May require Fresh Air Options Module (FIAOPTN002\*) if field installed.
- ③ Provides Ventilation Override, External Auto/Stop, Alarm Indicator, Remote Min Position.
- ④ Requires Symbio™ Advanced Controller (digit 21=1 or 3).
- ⑤ Requires Tracer TU and Utilizes TGP2 Software (programming knowledge required).
- ⑥ May require Discharge Air Sensor (FIADAST\*\*\*\*) if field installed
- ⑦ Included on factory-installed MZVAV configurations and on Heat Pump (WSJ/WHJ) models
- (\*) Parts designator subject to change

Light Commercial Packaged Cooling - R-410A



# Foundation™ Packaged Cooling 3-5 Tons, R-410A



- Scroll compressors on all units
- Operating Charge of R-410A
- Low ambient operation of 40°F as standard
- Color coded and numbered wiring
- Single side service access
- Provisions for through the base connections
- Phase monitor on all units
- Convertible airflow on all units
- Non-corrosive drain pan
- Separate high and low voltage areas in control box
- 5-year limited compressor and heat exchanger warranty
- 1-year limited parts warranty

Table R-410A-LPC-11-A — Foundation™ — Electromechanical Controls

Tons	Unit Model No	Power Supply Volts/Phase/Hz	Performance SEER	Cooling Capacity (Btuh)	Dimensions (in.) H x W x L	Shipping Weight (lbs.)	MCA**②	Max Fuse Size or Max Circuit Breaker**②	Downflow Roofcurb①
<b>GBC - Three Phase No Heat</b>									
3	EBC036A3E0B0000	208-230/3/60	14.0	36,000	42 <sup>5</sup> / <sub>8</sub> x 48 x 76 <sup>7</sup> / <sub>8</sub>	523	20	25	BAYCURB320
4	EBC048A3E0B0000	208-230/3/60	14.0	49,500	42 <sup>5</sup> / <sub>8</sub> x 48 x 76 <sup>7</sup> / <sub>8</sub>	566	24	35	BAYCURB320
5	EBC060A3E0B0000	208-230/3/60	14.0	57,500	42 <sup>5</sup> / <sub>8</sub> x 48 x 76 <sup>7</sup> / <sub>8</sub>	586	27	40	BAYCURB320
3	EBC036A4E0B0000	460/3/60	14.0	36,000	42 <sup>5</sup> / <sub>8</sub> x 48 x 76 <sup>7</sup> / <sub>8</sub>	523	11	15	BAYCURB320
4	EBC048A4E0B0000	460/3/60	14.0	49,500	42 <sup>5</sup> / <sub>8</sub> x 48 x 76 <sup>7</sup> / <sub>8</sub>	566	11	15	BAYCURB320
5	EBC060A4E0B0000	460/3/60	14.0	57,500	42 <sup>5</sup> / <sub>8</sub> x 48 x 76 <sup>7</sup> / <sub>8</sub>	586	13	20	BAYCURB320
3	EBC036AWE0B0000	575/3/60	14.0	36,000	42 <sup>5</sup> / <sub>8</sub> x 48 x 76 <sup>7</sup> / <sub>8</sub>	523	7	15	BAYCURB320
4	EBC048AWE0B0000	575/3/60	14.0	49,500	42 <sup>5</sup> / <sub>8</sub> x 48 x 76 <sup>7</sup> / <sub>8</sub>	566	9	15	BAYCURB320
5	EBC060AWE0B0000	575/3/60	14.0	57,500	42 <sup>5</sup> / <sub>8</sub> x 48 x 76 <sup>7</sup> / <sub>8</sub>	586	10	15	BAYCURB320

0000 = Includes no Factory-Installed Features; Does Not Include Factory-Installed Hail Guards or Multi-Speed Motor

① For Downflow units only.

② For standard and oversized indoor fan motor, values do not include power exhaust accessory

\*\* Information subject to change. Please confirm current product data within respective catalogs, IOMs or Trane Select Assist.

Foundation 3-5 Ton EBC units replace the following Carrier units without need for a curb adapter
50DJ 004-006
50GJ 006
50HC 004-006
50HE 004-006
50HJ 004-006
50KC 004-006
50LC 004-006
50LJ 004-006
50TC 004-006
50TFF 004-006
50TJ 004-006
50TM 004-006



# Foundation™ Packaged Cooling

## 3-5 Tons, R-410A

### (Model Digit Numbers)

Light Commercial Packaged Cooling - R-410A

Digit	Description	Order Number	Digit	Description	Order Number
1	<b>Unit Function</b>		15	<b>Supply Fan/Drive Type/Motor</b>	
	Packaged Cooling, Electric Heat .....	E		Multi-Speed Standard Motor.....	7
2	<b>Efficiency</b>			Multi-Speed Oversized Motor .....	9
	Generation B.....	B	16	<b>Access</b>	
	Generation C - DOE.....	C		Standard Fork Access .....	0
3	<b>Airflow Configuration</b>			Third Side Condenser Fork Access (15-25 Tons) .....	F
	Convertible.....	C	17	<b>Condenser Coil Protection</b>	
4,5,6	<b>Nominal Gross Cooling Capacity (MBh)</b>			Standard Coil .....	0
	3 Ton.....	.036		Condenser with CompleteCoat™ .....	4
	4 Ton.....	.048	18	<b>Through the Base Provisions</b>	
	5 Ton.....	.060		No Through-the Base-Provisions.....	0
	15 Ton.....	.180		Through-the-Base Electric .....	A
	17.5 Ton.....	.210	19	<b>Disconnect/Circuit Breake (3 phase only)</b>	
	20 Ton.....	.240		No Disconnect/Circuit Breaker .....	0
	25 Ton.....	.300		Unit Mounted/Non-Fused Disconnect® .....	1
7	<b>Design Sequence</b>	*	20-24	<b>Not Used</b>	
8	<b>Voltage</b>			No Convenience Outlet .....	0000
	208-230/60/3 .....	3	25	<b>System Monitoring Controls 1</b>	
	460/60/3 .....	4		No Monitoring Controls .....	0
	575/60/3 .....	W		Condensate Drain Pan Overflow Switch.....	A
9	<b>Unit Controls</b>		26	<b>System Monitoring Controls 2</b>	
	Electromechanical .....	E		Economizer Fault Detection and Diagnostics (FDD)® .....	B
10	<b>Heating Capacity</b>				
	No Heat .....	0			
	5 kW Electric Heat .....	A			
	7.5 kW Electric Heat .....	B			
	10 kW Electric Heat .....	C			
	14.4 kW Electric Heat .....	D			
	20 kW Electric Heat .....	E			
	25 kW Electric Heat .....	F			
	18 kW Electric Heat .....	G			
	36 kW Electric Heat .....	N			
	54 kW Electric Heat .....	P			
	72 kW Electric Heat .....	R			
11	<b>Design Sequence</b>	*			
12-13	<b>Service Sequence</b>	*,*			
14	<b>Fresh Air Selection</b>				
	No Fresh Air .....	0			
	Manual Outside Air Damper 0-25% .....	A			
	Motorized Outside Air Damper 0-50% .....	B			
	Economizer, Dry Bulb 0-100% without Barometric Relief.....	C			
	Economizer, Dry Bulb 0-100% with Barometric Relief① .....	D			
	Economizer, Reference Enthalpy 0-100% without Barometric Relief.....	E			
	Economizer, Reference Enthalpy 0-100% with Barometric Relief① .....	F			
	Economizer, Comparative Enthalpy 0-100% without Barometric Relief.....	G			
	Economizer, Comparative Enthalpy 0-100% with Barometric Relief① .....	H			
	Downflow Low Leak Economizer, Dry Bulb without Barometric Relief.....	J			
	Downflow Low Leak Economizer, Reference Enthalpy without Barometric Relief.....	L			
	Downflow Low Leak Economizer, Comparative Enthalpy without Barometric Relief.....	N			

- ① Some field set up required
- ② Must be ordered through the base electrical option
- ③ All factory installed Options are Built-to-Order. Check order services for estimated production cycle
- ④ Factory installed economizers only available in downflow configuration
- ⑤ Fault Detection and Diagnostics (FDD) is available on Low Leak Economizers only



# Foundation™ Packaged Cooling 3-5 Ton Accessories, R-410A

**Table R-410A-LPC-13-A – Foundation™ – Field Installed Accessories**

Model Number	Description	Used With
BAYCURB320*	Roof curb	All
BAYGARD320*	Tool-less Hail Guard	All
BAYTBUE320*	Through the base - Elec.	All
BAYDSCF320*	Unit Mounted Disconnect- cooling only, 100 Amp	GBC, EBC No Elec Heat
BAYDSCF321*	Unit Mounted Disconnect - electric heat, 100 Amp	EBC w/Elec Heat
BAYCO2K300*	Wall Mounted CO2 Sensor	All
BAYCO2K301*	Duct Mounted CO2 Sensor	All
BAYCOSW320*	Condensate Overflow	All
BAYCCHT010*	CCH – 208-230V (40 W) 6.5"	E/GBC(048 & 060)A3
BAYCCHT011*	CCH - 460V/572V (40W) 6.5"	E/GBC(048 & 060A)(4 & W)
BAYCCHT103*	CCH – 208-230V (40 W) 5.5"	E/GBC036A3
BAYCCHT405*	CCH - 460V/572V (40W) 5.5"	E/GBC036A(4 & W)
BAYLOAM330*	Frostat	All
BAYLOAM340*	Low Ambient Kit	All
BAYASCT001*	Compressor Short Cycle Timer	All
BAYHSMT320*	2 HP Oversize motor Kit (208-230/460V)	All
BAYHSMT321*	2 HP Oversize motor Kit (380V)	All
BAYHSMT322*	2 HP Oversize motor Kit (575V)	All
BAYDMPR321*	Damper, Manual 3-5T	All
BAYDMPR320*	Damper, Motorized 3-5T	All
BAYBARO320*	Barometric Relief Damper, 3-5T	All
BAYECON320*	Economizer, Dry Bulb, Downflow 3-5T	All
BAYENTH320*	Reference Enthalpy Economizer, 3-5T	All
BAYENTH321*	Comparative Enthalpy Economizer, 3-5T	All
BAYECON353*②	Low Leak Economizer, Dry Bulb, Downflow W/FDD, 3-5T	All
BAYECON354*②	Low Leak Economizer, Dry Bulb, Horizontal W/FDD, 3-5T	All
BAYENTH323A*②	Comparative Enthalpy, LLE W/FDD, 3-5T	All
BAYENTH322A*②	Reference Enthalpy, LLE W/FDD, 3-5T	All
BAYBARO321A*②	Barometric Relief Damper, LLE W/FDD, 3-5T	All
BAYPWRX320A*①	Power Exhaust, 3-5T DF, 230V	All
BAYPWRX321A*①	Power Exhaust, 3-5T DF, 460V	All
BAYPWRX322A*①	Power Exhasut, 3-5T DF, 575V	All

① Please check availability.

② FDD = Fault Detection & Diagnostics.

\* Information subject to change. Please confirm current product data within respective catalogs, IOMs or Trane Select Assist.

Light Commercial  
Packaged Cooling - R-410A



It's Hard To Stop A Trane.®

# Foundation™ Packaged Cooling 3-5 Ton Heaters, R-410A

**Table R-410A-LPC-14-A — Foundation™ — Field Installed Accessories**

Model No	Power Supply	kW Rating	Nominal BTUH)	No. Stages	Used With
BAYHTFA305	208-230/3/60	3.5 / 4.7	12,800 / 17,100	1	EBC*A3*
BAYHTFA307	208-230/3/60	5.6 / 7.5	19,200 / 25,600	1	EBC*A3*
BAYHTFA310	208-230/3/60	7.5 / 10	25,700 / 34,200	1	EBC*A3*
BAYHTFA315	208-230/3/60	10.8 / 14.4	38,400 / 51,200	1	EBC*A3*
BAYHTFA320	208-230/3/60	15 / 20	51,300 / 68,300	2	EBC048A3*, EBC060A3*
BAYHTFA325	208-230/3/60	18.8 / 25	64,100 / 85,400	2	EBC060A3*
BAYHTFA405	460/3/60	5	17,100	1	EBC*A4*
BAYHTFA407	460/3/60	7.5	25,600	1	EBC*A4*
BAYHTFA410	460/3/60	10	34,200	1	EBC*A4*
BAYHTFA415	460/3/60	15	51,200	1	EBC*A4*
BAYHTFA420	460/3/60	20	68,300	2	EBC048A4*, EBC060A4*
BAYHTFA425	460/3/60	25	85,400	2	EBC060A4*
BAYHTFAW10	575/3/60	10	34,200	1	EBC*AW*
BAYHTFAW15	575/3/60	15	51,200	1	EBC*AW*
BAYHTFAW20	575/3/60	20	68,300	2	EBC048AW*, EBC060AW*
BAYHTFAW25	575/3/60	25	85,400	2	EBC060AW*

\* Information subject to change. Please confirm current product data within respective catalogs, IOMs or Trane Select Assist.

Light Commercial  
Packaged Cooling - R-410A

# Medium Foundation™ Packaged Cooling 7.5-12.5 Tons, R-410A



- Scroll compressors on all units
- Operating charge of R-410A
- Low ambient operation to 0°F as standard
- Color coded and numbered wiring
- Single side service access
- Molded handles on service access doors
- Separated high and low voltage compartments
- Liquid Line Refrigerant Drier
- Provisions for through the base connections
- Phase monitor on all units
- Convertible airflow
- Two inch throwaway filters as standard
- Non-corrosive & removable drain pan
- **5-year limited compressor warranty (7.5 - 12.5 tons)**
- **1-year limited parts warranty**

**Table R-410A-LPC-15-A – Foundation™ – Electromechanical Controls - 2-Speed Fan**

Tons	Unit Model No.	Power Supply Volts/Phase/Hz	Performance (IEER)	Cooling Capacity (Btuh)	Dimensions (in.) H x W x L	Shipping Weight (lbs.)	MCA <sup>②</sup>	Max Fuse Size or Max Circuit Breaker <sup>①②</sup>	Downflow Roofcurb
<b>ECC* - Three Phase No Heat</b>									
7½	ECC090A3E0A3YXA*	208-230/3/60	14.8	86,000	44 x 58¾ x 88¾	1087	36	45	BAYCURB310
8½	ECC102A3E0A3YXA*	208-230/3/60	14.8	104,000	49⅞ x 58¾ x 88¾	1111	42	50	BAYCURB310
10	ECC120A3E0A3YXA*	208-230/3/60	14.8	114,000	49⅞ x 58¾ x 88¾	1133	54	70	BAYCURB310
12½	ECC150A3E0A3YXA*	208-230/3/60	14.2	140,000	49⅞ x 58¾ x 88¾	1235	66	80	BAYCURB310
7½	ECC090A4E0A3YXA*	460/3/60	14.8	86,000	44 x 58¾ x 88¾	1087	22	25	BAYCURB310
8½	ECC102A4E0A3YXA*	460/3/60	14.8	104,000	49⅞ x 58¾ x 88¾	1111	23	30	BAYCURB310
10	ECC120A4E0A3YXA*	460/3/60	14.8	114,000	49⅞ x 58¾ x 88¾	1133	27	35	BAYCURB310
12½	ECC150A4E0A3YXA*	460/3/60	14.2	140,000	49⅞ x 58¾ x 88¾	1235	31	40	BAYCURB310

① HACR Circuit Breaker Type Per NEC.

② For Standard and Oversized Indoor Fan Motor, values do not include power exhaust accessory  
3YXA medium Foundation models include multi-speed motor .

\* Information subject to change. Please confirm current product data within respective catalogs, IOMs or Trane Select Assist.



# Medium Foundation™ Packaged Cooling 7.5-12.5 Tons, R-410A (Model Digit Numbers)

Light Commercial  
Packaged Cooling - R-410A

Digit	Description	Order Number	Digit	Description	Order Number
1	<b>Unit Function</b>		14	<b>Fresh Air Selection</b> ③④	
	Packaged Cooling, Electric Heat .....	E		No Fresh Air .....	0
2	<b>Efficiency</b>		15	<b>Supply Fan/Drive Type/Motor</b>	
	Generation C - DOE.....	C		Multi-Speed Standard Motor.....	7
3	<b>Airflow Configuration</b>			Multi-Speed Oversized Motor .....	9
	Convertible.....	C	16	<b>Unit Type</b>	
4,5,6	<b>Nominal Gross Cooling Capacity (MBh)</b>			Medium Foundation.....	M
	7.5 Ton.....	090	17	<b>Condenser Coil Protection</b>	
	8.5 Ton.....	102		Standard Coil .....	0
	10 Ton.....	120	18	<b>Through the Base Provisions</b>	
	12.5 Ton.....	150		No Through-the Base-Provisions.....	0
7	<b>Design Sequence</b>	*	19	<b>Disconnect/Circuit Breake (3 phase only)</b>	
8	<b>Voltage</b>			No Disconnect/Circuit Breaker .....	0
	208-230/60/3 .....	3	20-24	<b>Not Used</b>	
	460/60/3 .....	4		No Convenience Outlet .....	0000
9	<b>Unit Controls</b>		25	<b>System Monitoring Controls1</b>	
	Electromechanical .....	E		No Monitoring Controls .....	0
10	<b>Heating Capacity</b>				
	Cooling Only .....	0			
11	<b>Minor Design Sequence</b>	*			
12-13	<b>Service Sequence</b>	*,*			

① Some field set up required  
 ② Must be ordered through the base electrical option  
 ③ All factory installed Options are Built-to-Order. Check order services for estimated production cycle  
 ④ Factory installed economizers only available in downflow configuration  
 ⑤ Fault Detection and Diagnostics (FDD) is available on Low Leak Economizers only



# Medium Foundation™ Packaged Cooling 7.5 - 12.5 Tons Accessories, R-410A

**Table R-410A-LPC-17-A – Foundation™ – Field Installed Accessories**

Model Number	Description	Used With
BAYDMPR311	Damper, Manual	ECC090A* - ECC150A*
BAYDMPR310	Damper, Motorized	ECC090A* - ECC150A*
BAYECON310	Economizer, Dry Bulb, Downflow	ECC090A* - ECC150A*
BAYECON311	Economizer, Dry Bulb, Horizontal	ECC090A* - ECC150A*
BAYECON355 <sup>③</sup>	Low Leak Economizer w/FDD, Dry Bulb, Downflow	ECC090A* - ECC150A*
BAYECON356	Low Leak Economizer w/FDD, Dry Bulb, Horizontal	ECC090A* - ECC150A*
BAYBARO310	Barometric Relief Damper, 7.5 - 12.5T	ECC090A* - ECC150A*
BAYCURB310	Roof Curb	ECC090A* - ECC150A*
BAYGARD311	Condenser Hail Guard	ECC090A* - ECC150A*
BAYASCT001	Compressor Short Cycle Timer	ECC090A* - ECC150A
BAYPWRX310 <sup>①</sup>	Power Exhaust, 15-25T, DF, 230V	ECC090A3* - ECC150A3*
BAYPWRX311 <sup>①</sup>	Power Exhaust, 15-25T, DF, 460V	ECC090A4* - ECC150A4*
BAYCO2K300	Wall Mounted CO2 Sensor	ECC090A* - ECC150A* with economizer
BAYCO2K301	Duct Mounted CO2 Sensor	ECC090A* - ECC150A* with economizer
BAYCOSW311	Drain Pan Overflow Switch	ECC090A* - ECC150A*
BAYSTAT300	BACNet Enabled Thermostat	EBC180A* - EBC300A*

① Please check availability.

② See HVAC Knowledge Center for a list of compatible Carrier units.

③ FDD = Fault Detection & Diagnostics.

\* Information subject to change. Please confirm current product data within respective catalogs, IOMs or Trane Select Assist

Light Commercial  
Packaged Cooling - R-410A



It's Hard To Stop A Trane.®

# Medium Foundation™ Packaged Cooling 7.5 - 12.5 Tons Heaters, R-410A

Table R-410A-LPC-18-A – Foundation™ – Field Installed Accessories

Model Number	Power Supply	kW Rating	Nominal BTUH	No. Stages	Used With
EHK-10CUL	208-230/3/60	10.4	35490	1	EBC090A3* - EBC150A3*
EHK-15CUL	208-230/3/60	16	54590	1	EBC090A3* - EBC150A3*
EHK-25CUL	208-230/3/60	25	85300	1	EBC090A3* - EBC150A3*
EHK-32CUL	208-230/3/60	32	109190	2	EBC090A3* - EBC150A3*
EHK-41CUL	208-230/3/60	41	139900	2	EBC090A3* - EBC150A3*
EHK-50CUL	208-230/3/60	50	170610	2	EBC120A3* - EBC150A3*
EHK-14FUL	460/3/60	13.9	47427	1	EBC090A4* - EBC150A4*
EHK-16FUL	460/3/60	16.5	56298	1	EBC090A4* - EBC150A4*
EHK-25FUL	460/3/60	25	85300	1	EBC090A4* - EBC150A4*
EHK-33FUL	460/3/60	33	112596	2	EBC090A4* - EBC150A4*
EHK-41FUL	460/3/60	41.5	141598	2	EBC090A4* - EBC150A4*
EHK-50FUL	460/3/60	50	170600	2	EBC120A4* - EBC150A4*
BAYHTMA310A	208-230/3/60	10.4	35490	1	ECC090A4* - ECC150A4*
BAYHTMA315A	208-230/3/60	15	54590	1	ECC090A4* - ECC150A4*
BAYHTMA325A	208-230/3/60	25	85300	1	ECC090A4* - ECC102A4*
BAYHTMA332A	208-230/3/60	32	109190	2	ECC090A4* - ECC150A4*
BAYHTMA341A	208-230/3/60	41	139900	2	ECC090A4* - ECC150A4*
BAYHTMA350A	208-230/3/60	50	170610	2	ECC120A4* - ECC150A4*
BAYHTMA414A	460/3/60	13.9	47427	1	ECC090A4* - ECC150A4*
BAYHTMA416A	460/3/60	16.5	56298	1	ECC090A4* - ECC150A4*
BAYHTMA425A	460/3/60	25	85300	1	ECC090A4* - ECC102A4*
BAYHTMA433A	460/3/60	33	112596	2	ECC090A4* - ECC150A4*
BAYHTMA441A	460/3/60	41.5	141598	2	ECC090A4* - ECC150A4*
BAYHTMA450A	460/3/60	50	170600	2	ECC120A4* - ECC150A4*

\* Information subject to change. Please confirm current product data within respective catalogs, IOMs or Trane Select Assist

Light Commercial  
Packaged Cooling - R-410A



# Foundation™ Packaged Cooling 15-25 Tons, R-410A



- Scroll compressors on all units  
Provisions for through the base
- Operating charge of R-410A connections
- Low ambient operation to 40°F as standard  
Phase monitor on all units
- Color coded and numbered wiring  
Convertible airflow
- Single side service access Two inch throwaway filters as standard
- Molded handles on service access doors  
Non-corrosive & removable drain pan
- Separated high and low voltage
- Liquid Line Refrigerant Drier
- 5-year limited compressor warranty (15-25 tons)
- 1-year limited parts warranty

**Table R-410A-LPC-19-A – Foundation™ – Electromechanical Controls - 2-Speed Fan**

Tons	Unit Model No.	Power Supply Volts/Phase/Hz	Performance (EER/IEER)	Cooling Capacity (Btuh)	Dimensions (in.) H x W x L	Shipping Weight (lbs.)	MCA	Max Fuse Size or Max Circuit Breaker <sup>①</sup>	Downflow Roofcurb
<b>ECC* - Three Phase No Heat</b>									
15	ECC180A3E0A1DQY	208-230/3/60	11.0/14.2	180,000	58 <sup>5</sup> / <sub>8</sub> x 86 <sup>15</sup> / <sub>16</sub> x 123 <sup>1</sup> / <sub>8</sub>	2175	79	100	BAYCURB027B
17½	ECC210A3E0A1DQY	208-230/3/60	11.0/14.2	206,000	58 <sup>5</sup> / <sub>8</sub> x 86 <sup>15</sup> / <sub>16</sub> x 123 <sup>1</sup> / <sub>8</sub>	2180	92	110	BAYCURB027B
20	ECC240A3E0A1DQY	208-230/3/60	10.0/13.2	244,000	58 <sup>5</sup> / <sub>8</sub> x 86 <sup>15</sup> / <sub>16</sub> x 123 <sup>1</sup> / <sub>8</sub>	2185	101	125	BAYCURB027B
25	ECC300A3E0A1DQY	208-230/3/60	10.0/13.2	268,000	58 <sup>5</sup> / <sub>8</sub> x 86 <sup>15</sup> / <sub>16</sub> x 123 <sup>1</sup> / <sub>8</sub>	2221	133	175	BAYCURB027B
15	ECC180A4E0A1DQY	460/3/60	11.0/14.2	180,000	58 <sup>5</sup> / <sub>8</sub> x 86 <sup>15</sup> / <sub>16</sub> x 123 <sup>1</sup> / <sub>8</sub>	2175	36	45	BAYCURB027B
17½	ECC210A4E0A1DQY	460/3/60	11.0/14.2	206,000	58 <sup>5</sup> / <sub>8</sub> x 86 <sup>15</sup> / <sub>16</sub> x 123 <sup>1</sup> / <sub>8</sub>	2180	40	50	BAYCURB027B
20	ECC240A4E0A1DQY	460/3/60	10.0/13.2	244,000	58 <sup>5</sup> / <sub>8</sub> x 86 <sup>15</sup> / <sub>16</sub> x 123 <sup>1</sup> / <sub>8</sub>	2185	50	60	BAYCURB027B
25	ECC300A4E0A1DQY	460/3/60	10.0/13.2	268,000	58 <sup>5</sup> / <sub>8</sub> x 86 <sup>15</sup> / <sub>16</sub> x 123 <sup>1</sup> / <sub>8</sub>	2221	58	70	BAYCURB027B
15	ECC180AWE0A1DQY	575/3/60	11.0/14.2	180,000	58 <sup>5</sup> / <sub>8</sub> x 86 <sup>15</sup> / <sub>16</sub> x 123 <sup>1</sup> / <sub>8</sub>	2175	30	35	BAYCURB027B
17½	ECC210AWE0A1DQY	575/3/60	11.0/14.2	206,000	58 <sup>5</sup> / <sub>8</sub> x 86 <sup>15</sup> / <sub>16</sub> x 123 <sup>1</sup> / <sub>8</sub>	2180	33	40	BAYCURB027B
20	ECC240AWE0A1DQY	575/3/60	10.0/13.2	244,000	58 <sup>5</sup> / <sub>8</sub> x 86 <sup>15</sup> / <sub>16</sub> x 123 <sup>1</sup> / <sub>8</sub>	2185	39	50	BAYCURB027B
25	ECC300AWE0A1DQY	575/3/60	10.0/13.2	268,000	58 <sup>5</sup> / <sub>8</sub> x 86 <sup>15</sup> / <sub>16</sub> x 123 <sup>1</sup> / <sub>8</sub>	2221	46	60	BAYCURB027B

① HACR Circuit Breaker Type Per NEC.

1DQY models include a multi-speed motor.

\*\* Information subject to change. Please confirm current product data within respective catalogs, IOMs or Trane Select Assist.

Light Commercial  
Packaged Cooling - R-410A



# Foundation™ Packaged Cooling

## 15-25 Tons, R-410A

(Model Digit Numbers)

Light Commercial  
Packaged Cooling - R-410A

Digit	Description	Order Number	Digit	Description	Order Number
1	<b>Unit Function</b>		15	<b>Supply Fan/Drive Type/Motor</b>	
	Packaged Cooling, Electric Heat .....	E		Multi-Speed Standard Motor.....	7
2	<b>Efficiency</b>			Multi-Speed Oversized Motor .....	9
	Generation B.....	B	16	<b>Access</b>	
	Generation C - DOE.....	C		Standard Fork Access .....	0
3	<b>Airflow Configuration</b>			Third Side Condenser Fork Access (15-25 Tons) .....	F
	Convertible.....	C	17	<b>Condenser Coil Protection</b>	
4,5,6	<b>Nominal Gross Cooling Capacity (MBh)</b>			Standard Coil .....	0
	3 Ton.....	.036		Condenser with CompleteCoat™ .....	4
	4 Ton.....	.048	18	<b>Through the Base Provisions</b>	
	5 Ton.....	.060		No Through-the Base-Provisions.....	0
	15 Ton.....	.180		Through-the-Base Electric .....	A
	17.5 Ton.....	.210	19	<b>Disconnect/Circuit Breake (3 phase only)</b>	
	20 Ton.....	.240		No Disconnect/Circuit Breaker .....	0
	25 Ton.....	.300		Unit Mounted/Non-Fused Disconnect® .....	1
7	<b>Design Sequence</b>	*	20-24	<b>Not Used</b>	
				No Convenience Outlet .....	0000
8	<b>Voltage</b>		25	<b>System Monitoring Controls 1</b>	
	208-230/60/3 .....	3		No Monitoring Controls .....	0
	460/60/3 .....	4		Condensate Drain Pan Overflow Switch.....	A
	575/60/3 .....	W	26	<b>System Monitoring Controls 2</b>	
9	<b>Unit Controls</b>			Economizer Fault Detection and Diagnostics (FDD)® .....	B
	Electromechanical .....	E			
10	<b>Heating Capacity</b>				
	No Heat .....	0			
	5 kW Electric Heat .....	A			
	7.5 kW Electric Heat .....	B			
	10 kW Electric Heat .....	C			
	14.4 kW Electric Heat .....	D			
	20 kW Electric Heat .....	E			
	25 kW Electric Heat .....	F			
	18 kW Electric Heat .....	G			
	36 kW Electric Heat .....	N			
	54 kW Electric Heat .....	P			
	72 kW Electric Heat .....	R			
11	<b>Design Sequence</b>	*			
12-13	<b>Service Sequence</b>	*,*			
14	<b>Fresh Air Selection</b>				
	No Fresh Air .....	0			
	Manual Outside Air Damper 0-25% .....	A			
	Motorized Outside Air Damper 0-50% .....	B			
	Economizer, Dry Bulb 0-100% without Barometric Relief.....	C			
	Economizer, Dry Bulb 0-100% with Barometric Relief① .....	D			
	Economizer, Reference Enthalpy 0-100% without Barometric Relief.....	E			
	Economizer, Reference Enthalpy 0-100% with Barometric Relief① .....	F			
	Economizer, Comparative Enthalpy 0-100% without Barometric Relief.....	G			
	Economizer, Comparative Enthalpy 0-100% with Barometric Relief① .....	H			
	Downflow Low Leak Economizer, Dry Bulb without Barometric Relief.....	J			
	Downflow Low Leak Economizer, Reference Enthalpy without Barometric Relief.....	L			
	Downflow Low Leak Economizer, Comparative Enthalpy without Barometric Relief.....	N			

- ① Some field set up required
- ② Must be ordered through the base electrical option
- ③ All factory installed Options are Built-to-Order. Check order services for estimated production cycle
- ④ Factory installed economizers only available in downflow configuration
- ⑤ Fault Detection and Diagnostics (FDD) is available on Low Leak Economizers only



# Foundation™ Packaged Cooling 15-25 Tons Accessories, R-410A

Table R-410A-LPC-21-A — Foundation™ — Field Installed Accessories

Model Number	Description	Used With
BAYTBUE300*	Through the Base Electrical Connections	All Foundation 15-25 Ton Units
BAYDSCF300*	Unit Mounted Disconnect, 100 Amp	ECC180A4* - ECC300A4*, ECC180AW* - ECC300AW*
BAYDSCF301*	Not for use when electric heat installed Unit Mounted Disconnect, 150 Amp	ECC180A3* - ECC300A3*
BAYDSCF302*	Unit Mounted Disconnect, 100 Amp	BAYHTFA318A, BAYHTFA418A, BAYHTFAW18A, BAYHTFA436A, BAYHTFA454A, BAYHTFBW36A, BAYHTFAW54A, BAYHTFBW54A,
BAYDSCF303*	Unit Mounted Disconnect, 150 Amp	BAYHTFA472A, BAYHTF4372A, BAYHTFA336A, BAYHTFB336A, BAYHTFB454A
BAYDSCF304*	Unit Mounted Disconnect, 250 Amp	BAYHTFA372A, BAYHTFB372A, BAYHTFA354A, BAYHTFAW36A
BAYDMPR301*	Damper, Manual	ECC180A* - ECC300A*
BAYDMPR300*	Damper, Motorized	ECC180A* - ECC300A*
BAYECON300*	Economizer, Dry Bulb, Downflow	ECC180A* - ECC300A*
BAYECON301*	Economizer, Dry Bulb, Horizontal	ECC180A* - ECC300A*
BAYECON350* <sup>③</sup>	Low Leak Economizer w/FDD, Dry Bulb, Downflow	ECC180A* - ECC300A*
BAYECON351*	Low Leak Economizer w/FDD, Dry Bulb, Horizontal	ECC180A* - ECC300A*
BAYHZCN300*	Horizontal Economizer Conversion Kit	ECC180A* - ECC300A*
BAYBARO300*	Barometric Relief Damper, 15-25T	ECC180A* - ECC300A*
BAYENTH300*	Reference Enthalpy Economizer Kit	ECC180A* - ECC300A*
BAYENTH301*	Comparative Enthalpy Economizer Kit	ECC180A* - ECC300A*
BAYENTH302* <sup>③</sup>	Reference Enthalpy Economizer Kit	ECC180A* - ECC300A* w/Low Leak Economizer & FDD
BAYENTH303* <sup>③</sup>	Comparative Enthalpy Economizer Kit	ECC180A* - ECC300A* w/Low Leak Economizer & FDD
BAYCURB027*	Roof Curb	ECC180A* - ECC300A*
BAYHZRT001*	Horizontal Duct Conversion Kit	ECC180A* - ECC300A*
BAYCARR001*	Carrier Replacement Conversion Kit	ECC180A* - ECC300A*
BAYGARD300*	Condenser Hail Guard	ECC180A* - ECC300A*
BAYCCHT300*	Crankcase Heater, 70W, 230V	ECC180A3* - ECC300A3*
BAYCCHT301*	Crankcase Heater, 70W, 460V	ECC180A4* - ECC300A4*
BAYCCHT302*	Crankcase Heater, 70W, 575V	ECC180AW* - ECC300AW*
BAYASCT001*	Compressor Short Cycle Timer	ECC180A* - ECC300A*
BAYLOAM300*	Low Ambient Control	ECC180A* - ECC300A*
BAYLOAM310*	Evaporator Defrost Control	ECC180A* - ECC300A*
BAYPWRX300* <sup>①</sup>	Power Exhaust, 15-25T, DF, 230V	ECC180A3* - ECC300A3*
BAYPWRX301* <sup>①</sup>	Power Exhaust, 15-25T, DF, 460V	ECC180A4* - ECC300A4*
BAYPWRX302* <sup>①</sup>	Power Exhaust, 15-25T, DF, 575V	ECC180AW* - ECC300AW*
BAYHSMT300*	High Static Motor & Drv, 5HP 230/460V	ECC180A3, ECC180A4
BAYHSMT301*	High Static Motor & Drv, 5HP 575V	ECC180AW
BAYHSMT302*	High Static Motor & Drv, 7.5HP 230/460V	ECC210A3, ECC240A3
BAYHSMT303*	High Static Motor & Drv, 7.5HP 460V	ECC210A4, ECC240A4
BAYHSMT304*	High Static Motor & Drv, 7.5HP 575V	ECC210AW, ECC240AW
BAYSHGR003* <sup>②</sup>	Shaft Grounding Ring, 0.875" Shaft	Used With 5HP VFD Motors
BAYSHGR002* <sup>②</sup>	Shaft Grounding Ring, 1.125" Shaft	Used With 7.5HP VFD Motors
BAYLSDR300*	Low Static Drive Option	ECC180A* - ECC300A*
BAYHSDR300*	High Static Drive Option	ECC180A* - ECC300A*
BAYCO2K300*	Wall Mounted CO2 Sensor	ECC180A* - ECC300A* with economizer
BAYCO2K301*	Duct Mounted CO2 Sensor	ECC180A* - ECC300A* with economizer
BAYPALTO01*	Reuseable Pallet for Condenser End Unit Lifting	All Foundation 15-25 Ton Units
BAYCOSW300*	Drain Pan Overflow Switch	ECC180A* - ECC300A*
BAYSTAT300*	BACNet Enabled Thermostat	ECC180A* - ECC300A*

① Please check availability.

② See HVAC Knowledge Center for a list of compatible Carrier units.

③ FDD = Fault Detection & Diagnostics.

\* Information subject to change. Please confirm current product data within respective catalogs, IOMs or Trane Select Assist.

Light Commercial  
Packaged Cooling - R-410A



It's Hard To Stop A Trane.®

# Foundation™ Packaged Cooling 15-25 Tons Heaters, R-410A

Table R-410A-LPC-22-A – Foundation™ – Field Installed Accessories

Model Number	Power Supply	kW Rating	Nominal BTUH	No. Stages	Used With
BAYHTFB318*	208-230/3/60	13/5/18	46,100/64,400	1	ECC180A3
BAYHTFC336*	208-230/3/60	27/36	92,200/122,900	2	ECC180A3, ECC210A3
BAYHTFC354*	208-230/3/60	27/36	92,200/122,900	2	ECC180A3, ECC210A3
BAYHTFC372*	208-230/3/60	40.5/54	138,200/184,300	2	ECC210A3
BAYHTFD336*	208-230/3/60	40.5/54	138,200/184,300	2	ECC240A3, ECC300A3
BAYHTFD354*	208-230/3/60	54/72	184,300/245,700	2	ECC240A3, ECC300A3
BAYHTFD372*	208-230/3/60	54/72	184,300/245,700	2	ECC240A3, ECC300A3
BAYHTFB418*	460/3/60	18	64000	1	ECC180A4
BAYHTFC436*	460/3/60	36	122900	2	ECC180A4, ECC210A4
BAYHTFC454*	460/3/60	36	122900	2	ECC180A4, ECC210A4
BAYHTFC472*	460/3/60	54	184300	2	ECC210A4
BAYHTFD436*	460/3/60	54	184300	2	ECC240A4, ECC300A4
BAYHTFD454*	460/3/60	72	245700	2	ECC240A4, ECC300A4
BAYHTFD472*	460/3/60	72	245700	2	ECC240A4, ECC300A4
BAYHTFBW18*	575/3/60	18	64000	1	ECC180AW
BAYHTFCW36*	575/3/60	36	122900	2	ECC180AW, ECC210AW
BAYHTFCW54*	575/3/60	36	122900	2	ECC180AW, ECC210AW
BAYHTFCW72*	575/3/60	54	184300	2	ECC210AW
BAYHTFDW36*	575/3/60	54	184300	2	ECC240AW, ECC300AW
BAYHTFDW54*	575/3/60	72	245700	2	ECC240AW, ECC300AW
BAYHTFDW72*	575/3/60	72	245700	2	ECC240AW, ECC300AW

\* Information subject to change. Please confirm current product data within respective catalogs, IOMs or Trane Select Assist.

Light Commercial  
Packaged Cooling - R-410A



# Precedent™ Packaged Rooftop Units, Heat Pumps, R-454B



Small compact cabinet  
Recessed access handles



Precedent™ rooftop units have been redesigned to deliver the most complete offering of 3 to 25 ton gas, hybrid, and all-electric light commercial packaged rooftop solutions. The wide range of offerings allow Precedent rooftop systems to serve a variety of commercial applications.

## Standard Features:

- Operating Charge of R-454B
- Control Box Access Hinged Doors and Access Panels
- Anti-Short Cycle Timer
- Coil Guards
- Convertible Airflow
- Colored and Numbered Wiring
- Crankcase Heaters
- Direct Drive Forward Curve Fan
- Direct Drive Fans
- Discharge Air Temperature Sensing Kit
- Fault Detection and Diagnostics (FDD)
- Filter Removal Tool
- Foil-Faced and Edge Protected Insulation
- Symbio700™ Controls
- Froststat™
- High Pressure Control
- Low Pressure Control
- IAQ Dual Sloped Composite Drain Pan
- Liquid Line Refrigerant Drier
- Low Ambient to 40 degrees F
- Microchannel Coils
- Phase Monitor
- Phase Balance/Loss/Reversal Protection
- Single Point Power
- Thermal Expansion Valve
- Through-the-Base Condensate
- 5 - year Limited Compressor Warranty
- 3 - year Limited Parts Warranty

## Field-Installed Accessories:

- Economizer: Standard - Horizontal
- Economizer: Low Leak - Horizontal
- LP Conversion Kit
- Ventilation Override
- CO2 Sensor
- High Altitude Kit
- High Temperature Sensor
- Low Ambient Cooling to 0 Degrees F
- Power Exhaust
- Curbs
- Quick Adapt Curb

## Added Flexibility, Factory or Field Installed Features:

- Economizer: Standard - Downflow / Convertible
- Economizer: Low Leak - Downflow
- Barometric Relief
- Electric Heater
- Manual Outside Air Damper
- Motorized Outside Air Damper
- Reference or Comparative Enthalpy
- Clogged Filter Switch
- Condensate Overflow Switch
- Discharge Air Temperature Sensing Kit - Standard (MultiSpeed)

## Factory-Installed Only Features:

- Humidity Control - Modulating Hot Gas Reheat (HGRH)
- Modulating Gas Heat
- High Static/Oversized Motors
- Variable Airflow (SZVAV)/Variable Airflow (MZVAV)
- 2 inch MERV 8 Filters or 2 inch MERV 13 Filters
- Access Doors - Hinged
- Powered or Unpowered Convenience Outlet
- Smoke Detectors - Return / Supply
- Stainless Steel Drain Pan
- Through-the-Base Condensate
- Through-the-Base Electrical with Circuit Breaker
- Through-the-Base Electrical with Disconnect Switch
- Through-the-Base Gas Piping
- Tubular Gas Heat Exchanger

Note: Equipment feature availability is dependent on unit configuration. For more information, see Trane® Select Assist™ or contact product support.

The same Trane Quality and Reliability ... with added Flexibility!



It's Hard To Stop A Trane.®

# Precedent™ Packaged Heat Pump, R-454B (Nomenclature / Model Number Digits)

Digit	Description	Order Number	
1	<b>Unit Function</b>		
	Package Heat Pump	W	
	Package Dual Fuel Heat Pump	D	
2	<b>Efficiency</b>		
	Standard Efficiency	S	
	High Efficiency	H	
3	<b>Refrigerant</b>		
	R-410A Refrigerant - Convertible Airflow	J	
	R-454B Refrigerant - Convertible Airflow	K	
4-6	<b>Nominal Gross Cooling Capacity</b>		
	3 Tons	036	
	4 Tons	048	
	5 Tons	060	
	6 Tons	072	
	7.5 Tons	090	
	8.5 Tons	102	
	10 Tons	120	
	12.5 Tons	150	
	15 Tons	180	
	17.5 Tons	210	
	20 Tons	240	
25 Tons	300		
7	<b>Major Design Sequence</b>		
	Current Design Sequence	*	
8	<b>Voltage/Hz/Phase</b>		
	208-230/60/3	3	
	460/60/3	4	
	575/60/3	W	
9	<b>Unit Controls</b>		
	Symbio700	S	
10	<b>Heating Type</b>		
	Base Model	0	
	Stainless Steel Gas Heat	A	
	Modulating Gas Heat	B	
11	<b>Heating Capacity</b>		
	No Heat	0	
	6kW Electric Heat	B	
	9kW Electric Heat	C	
	12kW Electric Heat	E	
	18kW Electric Heat	G	
	23 kW Electric Heat	J	
	27 kW Electric Heat	K	
	36 kW Electric Heat	N	
	54 kW Electric Heat	P	
	72 kW Electric Heat	R	
	Low Gas Heat	L	
	Medium Gas Heat	M	
	High Gas Heat	H	
14	<b>Fresh Air Selections</b>		
	No Fresh Air	0	
	Manual Outside Air Damper 0-50%	A	
	Motorized Outside Air Damper 0-50%	B	
	Economizer, Dry Bulb 0-100% without Barometric Relief	C	
	Economizer, Dry Bulb 0-100% with Barometric Relief	D	
	Economizer, Reference Enthalpy 0-100% w/o Barometric Relief	E	
	Economizer, Reference Enthalpy 0-100% with Barometric Relief	F	
	Economizer, Comparative Enthalpy 0-100% w/o Barometric Relief	G	
	Economizer, Comparative Enthalpy 0-100% w/ Barometric Relief	H	
	Downflow Low Leak Economizer, Dry Bulb w/ Barometric Relief	K	
	Downflow Low Leak Economizer, Reference Enthalpy, w/ Barometric Relief	M	
	Downflow Low Leak Economizer, Comparative Enthalpy w/ Barometric Relief	P	
	Downflow Low Leak Economizer, Differential Dry Bulb w/ Barometric Relief	R	
	15	<b>Supply Fan/Drive Type/Motor</b>	
		Multi-Speed Standard Motor	0
		Optional High Static Motor	1
Single Zone Variable Air Volume w/ Standard Motor		2	
Single Zone Variable Air Volume w/ Oversized/High Static Motor		3	
Multiple Zone Variable Air Volume w/ Standard Motor		4	
Multiple Zone Variable Air Volume w/ Oversized High Static Motor		5	

Digit	Description	Order Number
16	<b>Hinged Access/Filters</b>	
	Standard Panels/Standard Filters	0
	Hinged Access Panels/Standard Filters	A
	Standard Panels/2 inch MERV 8 Filters	B
	Hinged Access Panels/2 inch MERV 8 Filters	C
	Standard Panels/2 inch MERV 13 Filters	D
17	<b>Condenser Coil Protection</b>	
	Standard Coil	0
	Condenser with CompleteCoat™	1
18	<b>Through the Base Provisions</b>	
	No Through the Base Provisions	0
	Through-the-Base Electric	A
	Through-the-Base Gas Piping	B
19	<b>Disconnect/Circuit Breaker (3-Phase Only)</b>	
	No Disconnect/No Circuit Breaker	0
	Unit Mounted/Non-Fused Disconnect	1
20	<b>Convenience Outlet</b>	
	Unit Mounted Circuit Breaker	2
20	<b>Convenience Outlet</b>	
	No Convenience Outlet	0
	Unpowered 20A Convenience Outlet	A
	Powered 15A Convenience Outlet	B
21	<b>Communications Options</b>	
	No Communications Interface	0
	Advanced Controller w/ BACnet Communications Interface	1
	Advanced Controller w/ LonTalk Communications Interface	2
	Advanced Controller w/ AirFi Communications Interface	3
22	<b>Refrigerant Ssystem Option</b>	
	Standard Refrigerant System	0
	Humidity Control Option	A
23	<b>Controls Expansion Module</b>	
	None	0
	XM-30 Expansion Module	1
	XM-32 Expansion Module	2
	XM-30 and XM-32 Expansion Module	3
	XM-30 Expansion Module (Qty 2)	4
	XM-32 Expansion Module (Qty 2)	5
24	<b>Smoke Detector</b>	
	No Smoke Detector	0
	Return Air Smoke Detector	A
	Supply Air Smoke Detector	B
	Supply and Return Air Smoke Detectors,	C
25	<b>System Monitoring Controls</b>	
	No Monitoring Control	0
	Clogged Filter Switch	1
	Condensate Overflow Switch	2
	Discharge Air Sensing Tube	3
	Clogged Filter Switch and Condensate Overflow Switch	4
	Clogged Filter Switch and Discharge Air Sensing Tube	5
	Condensate Overflow Switch and Discharge Air Sensing Tube	6
Clogged Filter Switch, Condensate Overflow Switch	7	
26	<b>Not Used</b>	0
27	<b>Unit Hardware Enhancements</b>	
	No Enhancements	0
28	<b>Short Circuit Current Rating</b>	
	Standard (5k) SCCR Marking	0
29	<b>Low Ambient</b>	
	Tier 2 (65K) SCCR Marking	A
	None	0
29	<b>Low Ambient</b>	
	Low Ambient Cooling to 0 Degrees F	A

Note: Equipment feature availability is dependent on unit configuration. For more information, see Trane® Select Assist™ or contact product support.

\*\*Information is subject to change. Please confirm current product data within respective catalogs, IOMs or Trane Select Assist

For complete equipment / combination selections, installation instructions and warranty information, please refer to Product Data/Ratings and/or Installers Guides and Limited Warranty Handbooks.

Light Commercial  
Packaged Heat Pumps



# Precedent™ Packaged Rooftop Units: Heat Pump with Symbio700™ 14 SEER, R-454B

**Table LPH-3-A – Precedent - Standard Efficiency - Heat Pump - Symbio700™ Controls - R-454B**

Tons	Unit Ordering No.	Performance SEER ①②	Gross Cooling Capacity (Btuh)	Dimensions (in.) H x W x L	Shipping Weights (lbs.)	MCA**	Max Fuse Size or Max Circuit Breaker**	Cabinet Size
<b>WSK - 208-230V/60Hz/3-Phase - No Electric Heat</b>								
3	WSK036A3S000000	14.3/13.4	38000	46 <sup>7</sup> / <sub>8</sub> x 44 <sup>1</sup> / <sub>4</sub> x 69 <sup>7</sup> / <sub>8</sub>	740	23	30	A
4	WSK048A3S000000	14.3/13.4	51000	46 <sup>7</sup> / <sub>8</sub> x 44 <sup>1</sup> / <sub>4</sub> x 69 <sup>7</sup> / <sub>8</sub>	760	27	40	A
5	WSK060A3S000000	14.3/13.4	60500	46 <sup>7</sup> / <sub>8</sub> x 44 <sup>1</sup> / <sub>4</sub> x 69 <sup>7</sup> / <sub>8</sub>	783	29	45	A
6	WSK072A3S000000	14.1	77000	50 <sup>7</sup> / <sub>8</sub> x 53 <sup>1</sup> / <sub>4</sub> x 88 <sup>1</sup> / <sub>8</sub>	1016	38	50	B
7.5	WSK090A3S000000	14.1	90000	50 <sup>7</sup> / <sub>8</sub> x 53 <sup>1</sup> / <sub>4</sub> x 88 <sup>1</sup> / <sub>8</sub>	1026	43	50	B
8.5	WSK102A3S000000	14.1	108000	50 <sup>7</sup> / <sub>8</sub> x 53 <sup>1</sup> / <sub>4</sub> x 88 <sup>1</sup> / <sub>8</sub>	1043	56	70	B
10	WSK120A3S000000③	14.1	121000	50 <sup>7</sup> / <sub>8</sub> x 53 <sup>1</sup> / <sub>4</sub> x 88 <sup>1</sup> / <sub>8</sub>	1433	62	80	B
12.5	WSK150A3S000000	13.5	152000	59 x 87 x 123	2225	78	100	D
15	WSK180A3S000000	13.5	181000	59 x 87 x 123	2246	84	110	D
17.5	WSK210A3S000000	13.5	210000	59 x 87 x 123	2253	95	125	D
20	WSK240A3S000000	12.5	245000	66 x 87 x 123	2403	108	150	D.1
25	WSK300A3S000000	12.5	266000	66 x 87 x 123	2405	118	150	D.1
<b>WSK - 460V/60Hz/3-Phase - No Electric Heat</b>								
3	WSK036A4S000000	14.3/13.4	38000	46 <sup>7</sup> / <sub>8</sub> x 44 <sup>1</sup> / <sub>4</sub> x 69 <sup>7</sup> / <sub>8</sub>	740	10	15	A
4	WSK048A4S000000	14.3/13.4	51000	46 <sup>7</sup> / <sub>8</sub> x 44 <sup>1</sup> / <sub>4</sub> x 69 <sup>7</sup> / <sub>8</sub>	760	12	15	A
5	WSK060A4S000000	14.3/13.4	60500	46 <sup>7</sup> / <sub>8</sub> x 44 <sup>1</sup> / <sub>4</sub> x 69 <sup>7</sup> / <sub>8</sub>	783	14	20	A
6	WSK072A4S000000	14.1	77000	50 <sup>7</sup> / <sub>8</sub> x 53 <sup>1</sup> / <sub>4</sub> x 88 <sup>1</sup> / <sub>8</sub>	1016	20	25	B
7.5	WSK090A4S000000	14.1	90000	50 <sup>7</sup> / <sub>8</sub> x 53 <sup>1</sup> / <sub>4</sub> x 88 <sup>1</sup> / <sub>8</sub>	1026	22	25	B
8.5	WSK102A4S000000	14.1	108000	50 <sup>7</sup> / <sub>8</sub> x 53 <sup>1</sup> / <sub>4</sub> x 88 <sup>1</sup> / <sub>8</sub>	1043	27	35	B
10	WSK120A4S000000③	14.1	121000	50 <sup>7</sup> / <sub>8</sub> x 53 <sup>1</sup> / <sub>4</sub> x 88 <sup>1</sup> / <sub>8</sub>	1433	32	45	B
12.5	WSK150A4S000000	13.5	152000	59 x 87 x 123	2225	40	50	D
15	WSK180A4S000000	13.5	181000	59 x 87 x 123	2246	42	50	D
17.5	WSK210A4S000000	13.5	210000	59 x 87 x 123	2253	47	60	D
20	WSK240A4S000000	12.5	245000	66 x 87 x 123	2403	55	70	D.1
25	WSK300A4S000000	12.5	266000	66 x 87 x 123	2405	59	80	D.1
<b>WSK - 575V/60Hz/3-Phase - No Electric Heat</b>								
3	WSK036AWS000000	14.3/13.4	38000	46 <sup>7</sup> / <sub>8</sub> x 44 <sup>1</sup> / <sub>4</sub> x 69 <sup>7</sup> / <sub>8</sub>	740	10	15	A
4	WSK048AWS000000	14.3/13.4	51000	46 <sup>7</sup> / <sub>8</sub> x 44 <sup>1</sup> / <sub>4</sub> x 69 <sup>7</sup> / <sub>8</sub>	760	12	15	A
5	WSK060AWS000000	14.3/13.4	60500	46 <sup>7</sup> / <sub>8</sub> x 44 <sup>1</sup> / <sub>4</sub> x 69 <sup>7</sup> / <sub>8</sub>	783	13	20	A
6	WSK072AWS000000	14.1	77000	50 <sup>7</sup> / <sub>8</sub> x 53 <sup>1</sup> / <sub>4</sub> x 88 <sup>1</sup> / <sub>8</sub>	1010	17	20	B
7.5	WSK090AWS000000	14.1	90000	50 <sup>7</sup> / <sub>8</sub> x 53 <sup>1</sup> / <sub>4</sub> x 88 <sup>1</sup> / <sub>8</sub>	1029	18	25	B
8.5	WSK102AWS000000	14.1	108000	50 <sup>7</sup> / <sub>8</sub> x 53 <sup>1</sup> / <sub>4</sub> x 88 <sup>1</sup> / <sub>8</sub>	1043	21	25	B
10	WSK120AWS000000③	14.1	121000	50 <sup>7</sup> / <sub>8</sub> x 53 <sup>1</sup> / <sub>4</sub> x 88 <sup>1</sup> / <sub>8</sub>	1433	25	35	B
12.5	WSK150AWS000000	13.5	152000	59 x 87 x 123	2225	30	40	D
15	WSK180AWS000000	13.5	181000	59 x 87 x 123	2246	34	45	D
17.5	WSK210AWS000000	13.5	210000	59 x 87 x 123	2253	38	50	D
20	WSK240AWS000000	12.5	245000	66 x 87 x 123	2403	40	50	D.1
25	WSK300AWS000000	12.5	266000	66 x 87 x 123	2405	42	50	D.1

- ① SEER shown for 3-5 ton units only. The 3 to 5 ton EER and SEER are rated at AHRI conditions and calculated in accordance with AHRI standard 210/240-2017. Airflow and net cooling capacity not shown.
- ② SEER2 shown for 3 to 5 ton units only. ERR2 and SEER2 are rated at AHRI conditions and certified in accordance with AHRI Standard 210/240-2023. 0000 Models are "base stock" configurations and will include hail guards and multi-speed motors as standard.
- ③ In 2025, all WSK120 models had a change to cabinet size from C cabinets to B cabinets. Refer to digit 7 of the model number. All models manufactured in 2026 will be in the B cabinet.

\*\* Information is subject to change. Please confirm current product data within respective catalogs, IOMs or Trane Select Assist



It's Hard To Stop A Trane.®

# Precedent™ Packaged Rooftop Units: Heat Pump with Symbio700™ 14 SEER, R-454B

Table LPH-4-A — Precedent - Standard Efficiency - Dual Fuel Heat Pump - Symbio700™ Controls - R-454B

Tons	Unit Ordering No.	Performance SEER ①②	Gross Cooling Capacity (Btuh)	Dimensions (in.) H x W x L	Shipping Weights (lbs.)	MCA**	Max Fuse Size or Max Circuit Breaker**	Cabinet Size
<b>DSK - 208-230V/60Hz/3-Phase - No Electric Heat</b>								
3	DSK036A3S000000	14.3/13.4	38000	46 <sup>7</sup> / <sub>8</sub> x 44 <sup>1</sup> / <sub>4</sub> x 69 <sup>7</sup> / <sub>8</sub>	802	23	30	A
4	DSK048A3S000000	14.3/13.4	51000	46 <sup>7</sup> / <sub>8</sub> x 44 <sup>1</sup> / <sub>4</sub> x 69 <sup>7</sup> / <sub>8</sub>	822	27	40	A
5	DSK060A3S000000	14.3/13.4	60500	46 <sup>7</sup> / <sub>8</sub> x 44 <sup>1</sup> / <sub>4</sub> x 69 <sup>7</sup> / <sub>8</sub>	844	29	45	A
6	DSK072A3S000000	13.9	77000	50 <sup>7</sup> / <sub>8</sub> x 53 <sup>1</sup> / <sub>4</sub> x 88 <sup>1</sup> / <sub>8</sub>	1083	38	50	B
7.5	DSK090A3S000000	13.9	90000	50 <sup>7</sup> / <sub>8</sub> x 53 <sup>1</sup> / <sub>4</sub> x 88 <sup>1</sup> / <sub>8</sub>	1123	43	50	B
8.5	DSK102A3S000000	13.9	108000	50 <sup>7</sup> / <sub>8</sub> x 53 <sup>1</sup> / <sub>4</sub> x 88 <sup>1</sup> / <sub>8</sub>	1040	56	70	B
10	DSK120A3S000000	13.9	121000	50 <sup>7</sup> / <sub>8</sub> x 63 <sup>3</sup> / <sub>8</sub> x 99 <sup>5</sup> / <sub>8</sub>	1530	62	80	C
12.5	DSK150A3S000000	13.3	153000	59 x 87 x 123	2405	78	100	D
15	DSK180A3S000000	13.3	181000	59 x 87 x 123	2427	84	110	D
17.5	DSK210A3S000000	13.3	210000	59 x 87 x 123	2433	95	125	D
20	DSK240A3S000000	12.3	246000	66 x 87 x 123	2583	108	150	D.1
25	DSK300A3S000000	12.3	267000	66 x 87 x 123	2585	118	150	D.1
<b>DSK - 460V/60Hz/3-Phase - No Electric Heat</b>								
3	DSK036A4S000000	14.3/13.4	38000	46 <sup>7</sup> / <sub>8</sub> x 44 <sup>1</sup> / <sub>4</sub> x 69 <sup>7</sup> / <sub>8</sub>	802	10	15	A
4	DSK048A4S000000	14.3/13.4	51000	46 <sup>7</sup> / <sub>8</sub> x 44 <sup>1</sup> / <sub>4</sub> x 69 <sup>7</sup> / <sub>8</sub>	822	12	15	A
5	DSK060A4S000000	14.3/13.4	60500	46 <sup>7</sup> / <sub>8</sub> x 44 <sup>1</sup> / <sub>4</sub> x 69 <sup>7</sup> / <sub>8</sub>	844	14	20	A
6	DSK072A4S000000	13.9	77000	50 <sup>7</sup> / <sub>8</sub> x 53 <sup>1</sup> / <sub>4</sub> x 88 <sup>1</sup> / <sub>8</sub>	1083	20	25	B
7.5	DSK090A4S000000	13.9	90000	50 <sup>7</sup> / <sub>8</sub> x 53 <sup>1</sup> / <sub>4</sub> x 88 <sup>1</sup> / <sub>8</sub>	1123	22	25	B
8.5	DSK102A4S000000	13.9	108000	50 <sup>7</sup> / <sub>8</sub> x 53 <sup>1</sup> / <sub>4</sub> x 88 <sup>1</sup> / <sub>8</sub>	1040	27	35	B
10	DSK120A4S000000	13.9	121000	50 <sup>7</sup> / <sub>8</sub> x 63 <sup>3</sup> / <sub>8</sub> x 99 <sup>5</sup> / <sub>8</sub>	1530	32	45	C
12.5	DSK150A4S000000	13.3	153000	59 x 87 x 123	2405	40	50	D
15	DSK180A4S000000	13.3	181000	59 x 87 x 123	2427	42	50	D
17.5	DSK210A4S000000	13.3	210000	59 x 87 x 123	2433	47	60	D
20	DSK240A4S000000	12.3	246000	66 x 87 x 123	2583	55	70	D.1
25	DSK300A4S000000	12.3	267000	66 x 87 x 123	2585	59	80	D.1
<b>DSK - 575V/60Hz/3-Phase - No Electric Heat</b>								
3	DSK036AWS000000	14.3/13.4	38000	46 <sup>7</sup> / <sub>8</sub> x 44 <sup>1</sup> / <sub>4</sub> x 69 <sup>7</sup> / <sub>8</sub>	802	10	15	A
4	DSK048AWS000000	14.3/13.4	51000	46 <sup>7</sup> / <sub>8</sub> x 44 <sup>1</sup> / <sub>4</sub> x 69 <sup>7</sup> / <sub>8</sub>	822	12	15	A
5	DSK060AWS000000	14.3/13.4	60500	46 <sup>7</sup> / <sub>8</sub> x 44 <sup>1</sup> / <sub>4</sub> x 69 <sup>7</sup> / <sub>8</sub>	844	13	20	A
6	DSK072AWS000000	13.9	77000	50 <sup>7</sup> / <sub>8</sub> x 53 <sup>1</sup> / <sub>4</sub> x 88 <sup>1</sup> / <sub>8</sub>	1083	17	20	B
7.5	DSK090AWS000000	13.9	90000	50 <sup>7</sup> / <sub>8</sub> x 53 <sup>1</sup> / <sub>4</sub> x 88 <sup>1</sup> / <sub>8</sub>	1123	18	25	B
8.5	DSK102AWS000000	13.9	108000	50 <sup>7</sup> / <sub>8</sub> x 53 <sup>1</sup> / <sub>4</sub> x 88 <sup>1</sup> / <sub>8</sub>	1040	21	25	B
10	DSK120AWS000000	13.9	121000	50 <sup>7</sup> / <sub>8</sub> x 63 <sup>3</sup> / <sub>8</sub> x 99 <sup>5</sup> / <sub>8</sub>	1530	24	30	C
12.5	DSK150AWS000000	13.3	153000	59 x 87 x 123	2405	30	40	D
15	DSK180AWS000000	13.3	181000	59 x 87 x 123	2427	34	45	D
17.5	DSK210AWS000000	13.3	210000	59 x 87 x 123	2433	38	50	D
20	DSK240AWS000000	12.3	246000	66 x 87 x 123	2583	40	50	D.1
25	DSK300AWS000000	12.3	267000	66 x 87 x 123	2585	42	50	D.1

① SEER shown for 3-5 ton units only. The 3 to 5 ton EER and SEER are rated at AHRI conditions and calculated in accordance with AHRI standard 210/240-2017. Airflow and net cooling capacity not shown.

② SEER2 shown for 3 to 5 ton units only. ERR2 and SEER2 are rated at AHRI conditions and certified in accordance with AHRI Standard 210/240-2023 0000 Models are "base stock" configurations and will include hail guards and multi-speed motors as standard

\*\*Information is subject to change. Please confirm current product data within respective catalogs, IOMs or Trane Select Assist

Light Commercial Packaged Heat Pumps



# Precedent™ Packaged Rooftop Units: Heat Pump with Symbio700™ 17 SEER, R-454B

**Table LPH-5-A – Precedent - High Efficiency - Heat Pump - Symbio700™ Controls - R-454B**

Tons	Unit Ordering No.	Performance SEER ①②	Gross Cooling Capacity (Btuh)	Dimensions (in.) H x W x L	Shipping Weights (lbs.)	MCA**	Max Fuse Size or Max Circuit Breaker**	Cabinet Size
<b>WHK - 208-230V/60Hz/3-Phase - No Electric Heat</b>								
3	WHK036A3S000000	13.6/12.8	36700	50 <sup>7</sup> / <sub>8</sub> x 53 <sup>1</sup> / <sub>4</sub> x 88 <sup>1</sup> / <sub>8</sub>	908	23	30	B
4	WHK048A3S000000	13.6/12.8	50000	50 <sup>7</sup> / <sub>8</sub> x 53 <sup>1</sup> / <sub>4</sub> x 88 <sup>1</sup> / <sub>8</sub>	936	28	40	B
5	WHK060A3S000000	13.6/12.8	61300	50 <sup>7</sup> / <sub>8</sub> x 53 <sup>1</sup> / <sub>4</sub> x 88 <sup>1</sup> / <sub>8</sub>	943	31	45	B
6	WHK072A3S000000	12.8	77000	50 <sup>7</sup> / <sub>8</sub> x 53 <sup>1</sup> / <sub>4</sub> x 88 <sup>1</sup> / <sub>8</sub>	1020	38	50	B
7.5	WHK090A3S000000	12	90000	50 <sup>7</sup> / <sub>8</sub> x 53 <sup>1</sup> / <sub>4</sub> x 88 <sup>1</sup> / <sub>8</sub>	1029	43	50	B
8.5	WHK102A3S000000	12.1	108000	50 <sup>7</sup> / <sub>8</sub> x 53 <sup>1</sup> / <sub>4</sub> x 88 <sup>1</sup> / <sub>8</sub>	1047	56	70	B
10	WHK120A3S000000	11.4	121000	50 <sup>7</sup> / <sub>8</sub> x 63 <sup>1</sup> / <sub>8</sub> x 99 <sup>5</sup> / <sub>8</sub>	1438	62	80	C
12.5	WHK150A3S000000	12.1	152000	59 x 87 x 123	2225	78	100	D
15	WHK180A3S000000	11.7	181000	59 x 87 x 123	2246	84	110	D
17.5	WHK210A3S000000	11.3	210000	59 x 87 x 123	2253	95	125	D
20	WHK240A3S000000	10.9	245000	66 x 87 x 123	2403	108	150	D.1
25	WHK300A3S000000	10.1	266000	66 x 87 x 123	2405	118	150	D.1
<b>WHK - 460V/60Hz/3-Phase - No Electric Heat</b>								
3	WHK036A4S000000	13.6/12.8	36700	50 <sup>7</sup> / <sub>8</sub> x 53 <sup>1</sup> / <sub>4</sub> x 88 <sup>1</sup> / <sub>8</sub>	908	13	15	B
4	WHK048A4S000000	13.6/12.8	50000	50 <sup>7</sup> / <sub>8</sub> x 53 <sup>1</sup> / <sub>4</sub> x 88 <sup>1</sup> / <sub>8</sub>	936	16	20	B
5	WHK060A4S000000	13.6/12.8	61300	50 <sup>7</sup> / <sub>8</sub> x 53 <sup>1</sup> / <sub>4</sub> x 88 <sup>1</sup> / <sub>8</sub>	943	16	20	B
6	WHK072A4S000000	12.8	77000	50 <sup>7</sup> / <sub>8</sub> x 53 <sup>1</sup> / <sub>4</sub> x 88 <sup>1</sup> / <sub>8</sub>	1020	20	25	B
7.5	WHK090A4S000000	12	90000	50 <sup>7</sup> / <sub>8</sub> x 53 <sup>1</sup> / <sub>4</sub> x 88 <sup>1</sup> / <sub>8</sub>	1029	22	25	B
8.5	WHK102A4S000000	12.1	108000	50 <sup>7</sup> / <sub>8</sub> x 53 <sup>1</sup> / <sub>4</sub> x 88 <sup>1</sup> / <sub>8</sub>	1047	27	35	B
10	WHK120A4S000000	11.4	121000	50 <sup>7</sup> / <sub>8</sub> x 63 <sup>1</sup> / <sub>8</sub> x 99 <sup>5</sup> / <sub>8</sub>	1438	32	45	C
12.5	WHK150A4S000000	12.1	152000	59 x 87 x 123	2225	40	50	D
15	WHK180A4S000000	11.7	181000	59 x 87 x 123	2246	42	50	D
17.5	WHK210A4S000000	11.3	210000	59 x 87 x 123	2253	47	60	D
20	WHK240A4S000000	10.9	245000	66 x 87 x 123	2403	55	70	D.1
25	WHK300A4S000000	10.1	266000	66 x 87 x 123	2405	59	80	D.1
<b>WHK - 575V/60Hz/3-Phase - No Electric Heat</b>								
3	WHK036AWS000000	13.6/12.8	36700	50 <sup>7</sup> / <sub>8</sub> x 53 <sup>1</sup> / <sub>4</sub> x 88 <sup>1</sup> / <sub>8</sub>	908	9	15	B
4	WHK048AWS000000	13.6/12.8	50000	50 <sup>7</sup> / <sub>8</sub> x 53 <sup>1</sup> / <sub>4</sub> x 88 <sup>1</sup> / <sub>8</sub>	936	11	15	B
5	WHK060AWS000000	13.6/12.8	61300	50 <sup>7</sup> / <sub>8</sub> x 53 <sup>1</sup> / <sub>4</sub> x 88 <sup>1</sup> / <sub>8</sub>	943	13	15	B
6	WHK072AWS000000	12.8	77000	50 <sup>7</sup> / <sub>8</sub> x 53 <sup>1</sup> / <sub>4</sub> x 88 <sup>1</sup> / <sub>8</sub>	1020	17	20	B
7.5	WHK090AWS000000	12	90000	50 <sup>7</sup> / <sub>8</sub> x 53 <sup>1</sup> / <sub>4</sub> x 88 <sup>1</sup> / <sub>8</sub>	1029	18	25	B
8.5	WHK102AWS000000	12.1	108000	50 <sup>7</sup> / <sub>8</sub> x 53 <sup>1</sup> / <sub>4</sub> x 88 <sup>1</sup> / <sub>8</sub>	1047	21	25	B
10	WHK120AWS000000	11.4	121000	50 <sup>7</sup> / <sub>8</sub> x 63 <sup>1</sup> / <sub>8</sub> x 99 <sup>5</sup> / <sub>8</sub>	1438	25	35	C
12.5	WHK150AWS000000	12.1	152000	59 x 87 x 123	2225	30	40	D
15	WHK180AWS000000	11.7	181000	59 x 87 x 123	2246	34	45	D
17.5	WHK210AWS000000	11.3	210000	59 x 87 x 123	2253	38	50	D
20	WHK240AWS000000	10.9	245000	66 x 87 x 123	2403	40	50	D.1
25	WHK300AWS000000	10.1	266000	66 x 87 x 123	2405	42	50	D.1

① SEER shown for 3-5 ton units only. The 3 to 5 ton EER and SEER are rated at AHRI conditions and calculated in accordance with AHRI standard 210/240-2017. Airflow and net cooling capacity not shown.

② SEER2 shown for 3 to 5 ton units only. ERR2 and SEER2 are rated at AHRI conditions and certified in accordance with AHRI Standard 210/240-2023 0000 Models are "base stock" configurations and will include hail guards and multi-speed motors as standard

\*\* Information is subject to change. Please confirm current product data within respective catalogs, IOMs or Trane Select Assist

Light Commercial Packaged Heat Pumps



It's Hard To Stop A Trane.®

# Precedent™ Packaged Rooftop Units: Heat Pump with Symbio700™ 17 SEER, R-454B

Table LPH-6-A — Precedent - High Efficiency - Dual Fuel Heat Pump - Symbio700™ Controls - R-454B

Tons	Unit Ordering No.	Performance SEER ①②	Gross Cooling Capacity (Btuh)	Dimensions (in.) H x W x L	Shipping Weights (lbs.)	MCA**	Max Fuse Size or Max Circuit Breaker**	Cabinet Size
<b>DHK - 208-230V/60Hz/3-Phase - No Electric Heat</b>								
3	DHK036A3S000000	16.8/16.2	36700	50 <sup>7</sup> / <sub>8</sub> x 53 <sup>1</sup> / <sub>4</sub> x 88 <sup>1</sup> / <sub>8</sub>	975	23	30	B
4	DHK048A3S000000	16.8/16.2	50000	50 <sup>7</sup> / <sub>8</sub> x 53 <sup>1</sup> / <sub>4</sub> x 88 <sup>1</sup> / <sub>8</sub>	1001	28	40	B
5	DHK060A3S000000	16.4/15.8	61300	50 <sup>7</sup> / <sub>8</sub> x 53 <sup>1</sup> / <sub>4</sub> x 88 <sup>1</sup> / <sub>8</sub>	1009	31	45	B
6	DHK072A3S000000	16.1	77000	50 <sup>7</sup> / <sub>8</sub> x 53 <sup>1</sup> / <sub>4</sub> x 88 <sup>1</sup> / <sub>8</sub>	1087	38	50	B
7.5	DHK090A3S000000	15.3	90000	50 <sup>7</sup> / <sub>8</sub> x 53 <sup>1</sup> / <sub>4</sub> x 88 <sup>1</sup> / <sub>8</sub>	1126	43	50	B
8.5	DHK102A3S000000	16.8	108000	50 <sup>7</sup> / <sub>8</sub> x 53 <sup>1</sup> / <sub>4</sub> x 88 <sup>1</sup> / <sub>8</sub>	1144	56	70	B
10	DHK120A3S000000	15.9	121000	50 <sup>7</sup> / <sub>8</sub> x 63 <sup>1</sup> / <sub>8</sub> x 99 <sup>5</sup> / <sub>8</sub>	1535	62	80	C
12.5	DHK150A3S000000	16.5	153000	59 x 87 x 123	2405	78	100	D
15	DHK180A3S000000	16.5	181000	59 x 87 x 123	2427	84	110	D
17.5	DHK210A3S000000	15.9	211000	59 x 87 x 123	2433	95	125	D
20	DHK240A3S000000	16.1	246000	66 x 87 x 123	2583	108	150	D.1
25	DHK300A3S000000	15.1	267000	66 x 87 x 123	2585	118	150	D.1
<b>WHK - 460V/60Hz/3-Phase - No Electric Heat</b>								
3	DHK036A4S000000	16.8/16.2	36700	50 <sup>7</sup> / <sub>8</sub> x 53 <sup>1</sup> / <sub>4</sub> x 88 <sup>1</sup> / <sub>8</sub>	975	13	15	B
4	DHK048A4S000000	16.8/16.2	50000	50 <sup>7</sup> / <sub>8</sub> x 53 <sup>1</sup> / <sub>4</sub> x 88 <sup>1</sup> / <sub>8</sub>	1001	16	20	B
5	DHK060A4S000000	16.4/15.8	61300	50 <sup>7</sup> / <sub>8</sub> x 53 <sup>1</sup> / <sub>4</sub> x 88 <sup>1</sup> / <sub>8</sub>	1009	16	20	B
6	DHK072A4S000000	16.1	77000	50 <sup>7</sup> / <sub>8</sub> x 53 <sup>1</sup> / <sub>4</sub> x 88 <sup>1</sup> / <sub>8</sub>	1087	20	25	B
7.5	DHK090A4S000000	15.3	90000	50 <sup>7</sup> / <sub>8</sub> x 53 <sup>1</sup> / <sub>4</sub> x 88 <sup>1</sup> / <sub>8</sub>	1126	22	25	B
8.5	DHK102A4S000000	16.8	108000	50 <sup>7</sup> / <sub>8</sub> x 53 <sup>1</sup> / <sub>4</sub> x 88 <sup>1</sup> / <sub>8</sub>	1144	27	35	B
10	DHK120A4S000000	15.9	121000	50 <sup>7</sup> / <sub>8</sub> x 63 <sup>1</sup> / <sub>8</sub> x 99 <sup>5</sup> / <sub>8</sub>	1535	32	45	C
12.5	DHK150A4S000000	16.5	153000	59 x 87 x 123	2405	40	50	D
15	DHK180A4S000000	16.5	181000	59 x 87 x 123	2427	42	50	D
17.5	DHK210A4S000000	15.9	211000	59 x 87 x 123	2433	47	60	D
20	DHK240A4S000000	16.1	246000	66 x 87 x 123	2583	55	70	D.1
25	DHK300A4S000000	15.1	267000	66 x 87 x 123	2585	59	80	D.1
<b>WHK - 575V/60Hz/3-Phase - No Electric Heat</b>								
3	DHK036AWS000000	16.8/16.2	36700	50 <sup>7</sup> / <sub>8</sub> x 53 <sup>1</sup> / <sub>4</sub> x 88 <sup>1</sup> / <sub>8</sub>	975	9	15	B
4	DHK048AWS000000	16.8/16.2	50000	50 <sup>7</sup> / <sub>8</sub> x 53 <sup>1</sup> / <sub>4</sub> x 88 <sup>1</sup> / <sub>8</sub>	1001	11	15	B
5	DHK060AWS000000	16.4/15.8	61300	50 <sup>7</sup> / <sub>8</sub> x 53 <sup>1</sup> / <sub>4</sub> x 88 <sup>1</sup> / <sub>8</sub>	1009	13	15	B
6	DHK072AWS000000	16.1	77000	50 <sup>7</sup> / <sub>8</sub> x 53 <sup>1</sup> / <sub>4</sub> x 88 <sup>1</sup> / <sub>8</sub>	1087	17	20	B
7.5	DHK090AWS000000	15.3	90000	50 <sup>7</sup> / <sub>8</sub> x 53 <sup>1</sup> / <sub>4</sub> x 88 <sup>1</sup> / <sub>8</sub>	1126	18	25	B
8.5	DHK102AWS000000	16.8	108000	50 <sup>7</sup> / <sub>8</sub> x 53 <sup>1</sup> / <sub>4</sub> x 88 <sup>1</sup> / <sub>8</sub>	1144	21	25	B
10	DHK120AWS000000	15.9	121000	50 <sup>7</sup> / <sub>8</sub> x 63 <sup>1</sup> / <sub>8</sub> x 99 <sup>5</sup> / <sub>8</sub>	1535	24	30	C
12.5	DHK150AWS000000	16.5	153000	59 x 87 x 123	2405	30	40	D
15	DHK180AWS000000	16.5	181000	59 x 87 x 123	2427	34	45	D
17.5	DHK210AWS000000	15.9	211000	59 x 87 x 123	2433	38	50	D
20	DHK240AWS000000	16.1	246000	66 x 87 x 123	2583	40	50	D.1
25	DHK300AWS000000	15.1	267000	66 x 87 x 123	2585	42	50	D.1

① SEER shown for 3-5 ton units only. The 3 to 5 ton EER and SEER are rated at AHRI conditions and calculated in accordance with AHRI standard 210/240-2017. Airflow and net cooling capacity not shown.

② SEER2 shown for 3 to 5 ton units only. ERR2 and SEER2 are rated at AHRI conditions and certified in accordance with AHRI Standard 210/240-2023 0000 Models are "base stock" configurations and will include hail guards and multi-speed motors as standard

\*\*Information is subject to change. Please confirm current product data within respective catalogs, IOMs or Trane Select Assist

Light Commercial  
Packaged Heat Pumps



# Precedent™ Packaged Rooftop Units: Heat Pump with Symbio700™, R-454B Accessories

**Table LPH-7-A – Precedent - Symbio700™ Controls - R-454B - Accessory - Electric Heaters**

Model Number ①	Power Supply	kW Rating	No. Stages	Used with Cabinet
FIAEHTA306	208-230V/60Hz/3-Phase	6	1	A
FIAEHWB306	208-230V/60Hz/3-Phase	6	1	B
FIAEHWB309	208-230V/60Hz/3-Phase	9	1	B
FIAEHTA312	208-230V/60Hz/3-Phase	12	2	A
FIAEHWB312	208-230V/60Hz/3-Phase	12	2	B
FIAEHTA318	208-230V/60Hz/3-Phase	18	2	A
FIAEHWB318	208-230V/60Hz/3-Phase	18	2	B
FIAEHWC318	208-230V/60Hz/3-Phase	18	2	C
FIAEHWD318	208-230V/60Hz/3-Phase	18	2	D
FIAEHTA323	208-230V/60Hz/3-Phase	23	2	A
FIAEHWB327	208-230V/60Hz/3-Phase	27	2	B
FIAEHWC327	208-230V/60Hz/3-Phase	27	2	C
FIAEHWB336	208-230V/60Hz/3-Phase	36	2	B
FIAEHWC336	208-230V/60Hz/3-Phase	36	2	C
FIAEHWD336	208-230V/60Hz/3-Phase	36	2	D
FIAEHWB354	208-230V/60Hz/3-Phase	54	2	B
FIAEHWC354	208-230V/60Hz/3-Phase	54	2	C
FIAEHWD354	208-230V/60Hz/3-Phase	54	2	D
FIAEHWD372	208-230V/60Hz/3-Phase	72	2	D
FIAEHTA406	460V/60Hz/3-Phase	6	1	A
FIAEHWB406	460V/60Hz/3-Phase	6	1	B
FIAEHWB409	460V/60Hz/3-Phase	9	1	B
FIAEHTA412	460V/60Hz/3-Phase	12	2	A
FIAEHWB412	460V/60Hz/3-Phase	12	2	B
FIAEHTA418	460V/60Hz/3-Phase	18	2	A
FIAEHWB418	460V/60Hz/3-Phase	18	2	B
FIAEHWC418	460V/60Hz/3-Phase	18	2	C
FIAEHWD418	460V/60Hz/3-Phase	18	2	D
FIAEHTA423	460V/60Hz/3-Phase	23	2	A
FIAEHWB427	460V/60Hz/3-Phase	27	2	B
FIAEHWC427	460V/60Hz/3-Phase	27	2	C
FIAEHWB436	460V/60Hz/3-Phase	36	2	B
FIAEHWC436	460V/60Hz/3-Phase	36	2	C
FIAEHWD436	460V/60Hz/3-Phase	36	2	D
FIAEHWB454	460V/60Hz/3-Phase	54	2	B
FIAEHWC454	460V/60Hz/3-Phase	54	2	C
FIAEHWD454	460V/60Hz/3-Phase	54	2	D
FIAEHWD472	460V/60Hz/3-Phase	72	2	D
FIAEHTAW06	575V/60Hz/3-Phase	6	1	A
FIAEHWBW06	575V/60Hz/3-Phase	6	1	B
FIAEHWBW09	575V/60Hz/3-Phase	9	1	B
FIAEHTAW12	575V/60Hz/3-Phase	12	2	A
FIAEHWBW12	575V/60Hz/3-Phase	12	2	B
FIAEHTAW18	575V/60Hz/3-Phase	18	2	A
FIAEHWBW18	575V/60Hz/3-Phase	18	2	B
FIAEHWCW18	575V/60Hz/3-Phase	18	2	C
FIAEHWDW18	575V/60Hz/3-Phase	18	2	D
FIAEHTAW23	575V/60Hz/3-Phase	23	2	A
FIAEHWBW27	575V/60Hz/3-Phase	27	2	B
FIAEHWCW27	575V/60Hz/3-Phase	27	2	C
FIAEHWBW36	575V/60Hz/3-Phase	36	2	B
FIAEHWCW36	575V/60Hz/3-Phase	36	2	C
FIAEHWDW36	575V/60Hz/3-Phase	36	2	D
FIAEHWBW54	575V/60Hz/3-Phase	54	2	B
FIAEHWCW54	575V/60Hz/3-Phase	54	2	C
FIAEHWDW54	575V/60Hz/3-Phase	54	2	D
FIAEHWDW72	575V/60Hz/3-Phase	72	2	D

① Electric Heater models pertain to standard models, for HGRH performance please refer to catalogs or TSA

\*\*Information is subject to change. Please confirm current product data within respective catalogs, IOMs or Trane Select Assist



It's Hard To Stop A Trane.®

# Precedent™ Packaged Rooftop Units: Heat Pump with Symbio700™ R-454B Accessories

Table LPH-8-A — Precedent - Symbio700™ Controls - R-454B - Accessories

Part Number	Description	Cabinets	Literature Number
FIABARM001*	Barometric Relief	A	ACC-SVN262*-EN
FIABARM002*	Barometric Relief	B & C	ACC-SVN262*-EN
FIABARM003*	Barometric Relief	D	ACC-SVN286*-EN
FIACLFS001*	Clogged Filter Switch	B & C	ACC-SVN238*-EN
FIACLFS002*	Clogged Filter Switch (MERV 13)	B & C	ACC-SVN238*-EN
FIACLFS003*	Clogged Filter Switch	D	ACC-SVN238*-EN
FIACLFS004*	Clogged Filter Switch (MERV 13)	D	ACC-SVN238*-EN
FIACLFS005*	Clogged Filter Switch Standard and MERV 8 filter	A	ACC-SVN238*-EN
FIACLFS006*	Clogged Filter Switch MERV 13 filter	A	ACC-SVN238*-EN
FIACURB401*	Roof Curb	A	ACC-SVN315*-EN
FIACURB402*	14-inch Full Perimeter Knockdown Curb	B	ACC-SVN252*-EN
FIACURB403*	14-inch Full Perimeter Knockdown Curb	C	ACC-SVN253*-EN
FIACURB404*	14-inch Full Perimeter Knockdown Curb	D	ACC-SVN226*-EN
FIACURB801*	18-inch Full Perimeter Knockdown Curb	A	ACC-SVN315*-EN
FIACURB802*	18-inch Full Perimeter Knockdown Curb	B	ACC-SVN252*-EN
FIACURB803*	18-inch Full Perimeter Knockdown Curb	C	ACC-SVN253*-EN
FIACURB804*	18-inch Full Perimeter Knockdown Curb	D	ACC-SVN226*-EN
FIADAST001*	Discharge Air Sensing Tube Kit T/W	A	ACC-SVN240*-EN
FIADAST002*	Discharge Air Sensing Tube Kit Y/D	A	ACC-SVN240*-EN
FIADAST003*	Discharge Air Sensing Tube Kit T/W	B	ACC-SVN240*-EN
FIADAST004*	Discharge Air Sensing Tube Kit Y/D	B	ACC-SVN240*-EN
FIADAST005*	Discharge Air Sensing Tube Kit T/W	C	ACC-SVN240*-EN
FIADAST006*	Discharge Air Sensing Tube Kit Y/D	C	ACC-SVN240*-EN
FIADAST007*	Discharge Air Sensing Tube Kit T/W	D	ACC-SVN240*-EN
FIADAST008*	Discharge Air Sensing Tube Kit Y/D	D	ACC-SVN240*-EN
FIADMPR001*	Manual Outside Air Damper 0-50%	A	ACC-SVN01*-EN
FIADMPR002*	Manual Damper	B & C	ACC-SVN01*-EN
FIADMPR003*	Manual Damper	D	ACC-SVN75*-EN
FIADMPR101*	Motorized Outside Air Damper 0-50%	A	ACC-SVN231*-EN
FIADMPR102*	Motorized Damper	B & C	ACC-SVN231*-EN
FIADMPR103*	Motorized Damper	D	ACC-SVN231*-EN
FIAECON001*	Dry Bulb Economizer 0-100%	A	ACC-SVN261*-EN
FIAECON002*	Dry Bulb Economizer	B & C	ACC-SVN261*-EN
FIAECON003*	Dry Bulb Downflow Economizer	D	ACC-SVN232*-EN
FIAECON101*	Low Leak Econ - Dry Bulb	A, Downflow	ACC-SVN264*-EN
FIAECON102*	Dry Bulb Downflow Low Leak	B & C, Downflow	ACC-SVN264*-EN
FIAECON103*	Dry Bulb Downflow Low Leak	D, Downflow	ACC-SVN264*-EN
FIAECON201*	Horizontal Low Leak Dry Bulb Economizer	A, Horizontal	ACC-SVN264*-EN
FIAECON202*	Dry Bulb Horizontal Low Leak	B & C, Horizontal	ACC-SVN264*-EN
FIAECON203*	Dry Bulb Horizontal Low Leak	D, Horizontal	ACC-SVN264*-EN
FIAECON303*	Dry Bulb Horizontal Economizer	D	ACC-SVN233*-EN
FIAENTH001*	Reference Enthalpy Economizer Control	All	ACC-SVN234*-EN
FIAENTH002*	Comparative Enthalpy Economizer Control	All	ACC-SVN235*-EN
FIHALT001*	High Altitude Gas Adjustment Kit - 2-Stage gas	A	ACC-SVN230*-E
FIHALT002*	High Altitude Gas Adjustment Kit - 2-Stage gas	B & C	ACC-SVN230*-E
FIHALT003*	High Altitude Gas Adjustment Kit - 2-Stage gas	D	ACC-SVN230*-E
FIHZDC001*	Horizontal Conversion Pane	D	ACC-SVN263*-EN
FIALOAM001*	Low Ambient	All, T/Y	ACC-SVN237*-EN
FIALOAM002*	Low Ambient	All, W/D	ACC-SVN237*-EN

\*\*Information is subject to change. Please confirm current product data within respective catalogs, IOMs or Trane Select Assist

For complete equipment / combination selections, installation instructions and warranty information, please refer to Product Data/Ratings and/or Installers Guides and Limited Warranty Handbooks.

LPH-8

Effective 1/1/26  
22-8301-39

Light Commercial  
Packaged Heat Pumps



# Precedent™ Packaged Rooftop Units: Heat Pump with Symbio700™, R-454B Accessories

**Table LPH-9-A – Precedent - Symbio700™ Controls - R-454B - Accessories**

Part Number	Description	Cabinets	Literature Number
FIALPKT001*	LP Gas Conversion Kit - 2-Stage gas	A	ACC-SVN229*-E
FIALPKT002*	LP Gas Conversion Kit - 2-Stage gas	B & C	ACC-SVN229*-E
FIALPKT003*	LP Gas Conversion Kit - 2-Stage gas	D	ACC-SVN229*-E
FIALPKTM01*	LP Gas Conversion Kit - Modulating gas	B	ACC-SVN269*-EN
FIALPKTM02*	LP Gas Conversion Kit - Modulating gas	B	ACC-SVN269*-EN
FIALPKTM03*	LP Gas Conversion Kit - Modulating gas	B	ACC-SVN269*-EN
FIALPKTM04*	LP Gas Conversion Kit - Modulating gas	B	ACC-SVN269*-EN
FIALPKTM05*	LP Gas Conversion Kit - Modulating gas	B	ACC-SVN269*-EN
FIALPKTM06*	LP Gas Conversion Kit - Modulating gas	C	ACC-SVN269*-EN
FIALPKTM07*	LP Gas Conversion Kit - Modulating gas	C	ACC-SVN269*-EN
FIALPKTM08*	LP Gas Conversion Kit - Modulating gas	D	ACC-SVN269*-EN
FIALPKTM09*	LP Gas Conversion Kit - Modulating gas	D	ACC-SVN269*-EN
FIALPKTM10*	LP Gas Conversion Kit - Modulating gas	D	ACC-SVN269*-EN
FIAPWRX301*	Power Exhaust 230V	A	ACC-SVN236*-EN
FIAPWRX302*	Power Exhaust 230V	B & C	ACC-SVN236*-EN
FIAPWRX303*	Power Exhaust 230V	D	ACC-SVN236*-EN
FIAPWRX401*	Power Exhaust 460V	A	ACC-SVN236*-EN
FIAPWRX402*	Power Exhaust 460V	B & C	ACC-SVN236*-EN
FIAPWRX403*	Power Exhaust 460V	D	ACC-SVN236*-EN
FIAPWRXW01*	Power Exhaust 575V	A	ACC-SVN236*-EN
FIAPWRXW02*	Power Exhaust 575V	B & C	ACC-SVN236*-EN
FIAPWRXW03*	Power Exhaust 575V	D	ACC-SVN236*-EN
FIAQACB026*	Adapter Curb, BAYCURB026 to FIACURB403/803	C	ACC-SVN259*-EN
FIAQACB027*	Adapter Curb, BAYCURB027 to FIACURB403/803	C	ACC-SVN259*-EN
FIAQACB042*	Adapter Curb, BAYCURB042 to FIACURB402/802	B	ACC-SVN259*-EN
FIAQACB043*	Adapter Curb, BAYCURB043 to FIACURB403/803	C	ACC-SVN259*-EN
FIAQACB044*	Adapter Curb, BAYCURB044 to FIACURB402/802	B	ACC-SVN259*-EN
FIAQACB045*	Adapter Curb, BAYCURB043 to FIACURB402/802	A	ACC-SVN259*-EN

\*\*Information is subject to change. Please confirm current product data within respective catalogs, IOMs or Trane Select Assist



# Precedent™ Packaged Heat Pump Convertible 3-10 Tons, R-410A



Beveled Top  
Smoother Design  
Small compact cabinet  
Recessed access handles

## Standard Features:

- Operating Charge of R-410A
- Trane scroll compressors on all 3-10 ton units
- ReliaTel™ Controls (See page LPC-12 for ReliaTel™ Control Information)
- Thermal Expansion Valve
- Colored and numbered wiring
- Phase Monitor, 3 Phase Units
- Provisions for through the Base Condensate Drain Connections
- Crankcase Heaters
- Patented Hybrid Condenser Coil for easy cleaning
- 2" throwaway filters provided on 3-10 ton units
- Liquid Line Refrigerant Drier
- IAQ Sloped Drain Pans
- Single point power for electric Heat
- Low Ambient cooling to 0°F
- Anti-Short Cycle Timer (Standard with ReliaTel™)
- 5 - year Limited Compressor Warranty
- 1 - year Limited Parts Warranty

## Added Flexibility

- New 3-5 Ton Dual Fuel Models
- Convertible airflow
- Fork lift openings on three sides of unit
- Direct or belt drive - standard or oversized motors
- We don't prepackage options
- Choose options tailored to suit each job —pay only for what is needed
- Units ship with options installed —and within our standard ship cycle time

## Factory Installed Options

- Through-the-Base — Electrical & Gas
- Convenience Outlet — Powered or unpowered
- Unit Disconnect Switch
- Circuit Breaker
- Smoke Detectors — Supply, return, or both
- Condenser Coil Coating
- Hinged Access Service Panels
- Discharge Air Sensor
- Fan Fail and Clogged Filter Switches
- Condenser Coil Guard — Hail Protection Quality
- TCI (Trane Communications Interface)
- LonTalk® (Communications Interface)
- BACnet™ (Communications Interface)
- Froststat
- 2" MERV 8 filters or 2" MERV 13 filters
- Black Epoxy Pre-Coated Coils
- Multi-Speed & Single Zone VAV ID Airflow
- Demand Control Ventilation
- Stainless Steel Drainpan
- Condensate Drainpan Overflow Switch

The same Trane Quality and Reliability ... with added Flexibility!



# Precedent™ Packaged Heat Pump Convertible 3-10 Tons, R-410A

**Table R-410A-LPH-2-A – High Efficiency Unit – ReliaTel™ Microprocessor Controls**

Tons	Unit Ordering No.	Performance <sup>②</sup> SEER/HSPF	Cooling Capacity (Btuh)	Cabinet Dimensions (in.) H x D x W	Downflow Supply	Downflow Return	Shipping Weight (lbs.)	MCA*	Max <sup>①</sup> Fuse*
<b>WHC - 208-230/3/60 - Three Phase - No Electric Heat <sup>③</sup></b>									
3	WHC036H3R0B005D	16.0 / 8.8	36,400	41 x 44 x 69	18 x 15.5	24 x 14	619	23	30
4	WHC048H3R0A005D	16.5 / 8.8	48,750	41 x 53 x 88	33 x 17.5	32 x 17.5	768	29	40
5	WHC060H3R0A005D	16.4 / 9.0	61,000	41 x 53 x 88	33 x 17.5	32 x 17.5	773	32	45
6	WHC074H3R0A005D	15.5	78,900	47 x 53 x 88	33 x 17.5	32 x 17.5	927	42	50
7.5	WHC092H3R0A005D	15.5	96,200	47 x 53 x 88	33 x 17.5	32 x 17.5	927	43	50
8.5	WHC102H3R0A005D	15.5	105,900	47 x 53 x 88	33 x 17.5	32 x 17.5	953	46	60
10	WHC120H3R0A005D	15.5	123,600	51 x 63 x 100	33 x 17.5	32 x 17.5	1433	49	60
<b>WHC - 460/3/60 - Three Phase - No Electric Heat <sup>③</sup></b>									
3	WHC036H4R0B005D	16.0 / 8.8	36,400	41 x 44 x 69	18 x 15.5	24 x 14	619	13	15
4	WHC048H4R0A005D	16.5 / 8.8	48,750	41 x 53 x 88	33 x 17.5	32 x 17.5	768	14	15
5	WHC060H4R0A005D	16.2 / 9.0	61,000	41 x 53 x 88	33 x 17.5	32 x 17.5	773	15	20
6	WHC074H4R0A005D	15.5	78,900	47 x 53 x 88	33 x 17.5	32 x 17.5	927	19	25
7.5	WHC092H4R0A005D	15.5	96,200	47 x 53 x 88	33 x 17.5	32 x 17.5	927	20	25
8.5	WHC102H4R0A005D	15.5	105,900	47 x 53 x 88	33 x 17.5	32 x 17.5	953	22	25
10	WHC120H4R0A005D	15.5	123,600	51 x 63 x 100	33 x 17.5	32 x 17.5	1433	24	30
<b>WHC - 575/3/60 - Three Phase - No Electric Heat <sup>③</sup></b>									
3	WHC036HWR0B005D	16.0 / 8.8	36,400	41 x 44 x 69	18 x 15.5	24 x 14	619	9	15
4	WHC048HWR0A005D	16.5 / 8.8	48,750	41 x 53 x 88	33 x 17.5	32 x 17.5	768	10	15
5	WHC060HWR0A005D	16.2 / 9.0	61,000	41 x 53 x 88	33 x 17.5	32 x 17.5	773	12	15
6	WHC074HWR0A005D	15.5	78,900	47 x 53 x 88	33 x 17.5	32 x 17.5	927	21	25
7.5	WHC092HWR0A005D	15.5	96,200	47 x 53 x 88	33 x 17.5	32 x 17.5	927	22	25
8.5	WHC102HWR0A005D	15.5	105,900	47 x 53 x 88	33 x 17.5	32 x 17.5	953	23	25
10	WHC120HWR0A005D	15.5	123,600	51 x 63 x 100	33 x 17.5	32 x 17.5	1433	23	30

005D = Includes Factory-Installed Hail Guards

**Table R-410A-LPH-2-B – High Efficiency Dual Fuel Unit – ReliaTel™ Microprocessor Controls**

Tons	Unit Ordering No.	Performance <sup>②</sup> SEER/HSPF	Cooling Capacity (Btuh)	Gas Heating Output Capacity (Btuh) (2nd / 1st stage)	S.S. Furnace Eff%	Cabinet Dimensions (in.) H x D x W	Downflow Supply	Downflow Return	Shipping Weight (lbs.)	MCA*	Max <sup>①</sup> Fuse*
<b>DHC - 208-230/3/60 - Three Phase - Low Heat <sup>③</sup></b>											
3	DHC036H3RLB005D	15.7 / 8.8	36,400	48,600 / 34,020	81%	41 x 44 x 69	18 x 15.5	24 x 14	658	23	30
4	DHC048H3RLA005D	16.5 / 8.8	48,750	48,600 / 34,020	81%	41 x 53 x 88	33 x 17.5	32 x 17.5	845	29	40
5	DHC060H3RLA005D	16.2 / 8.9	61,000	48,600 / 34,020	81%	41 x 53 x 88	33 x 17.5	32 x 17.5	849	32	45
6	DHC074H3RLA005D	15.5	78,900	64,800	81%	47 x 53 x 88	33 x 17.5	32 x 17.5	990	42	50
7.5	DHC092H3RLA005D	15.5	96,200	97,200	81%	47 x 53 x 88	33 x 17.5	32 x 17.5	1004	43	50
8.5	DHC102H3RLA005D	15.5	105,900	97,200	81%	47 x 53 x 88	33 x 17.5	32 x 17.5	1016	46	60
10	DHC120H3RLA005D	15.5	123,600	121,500/85,050	81%	51 x 63 x 100	33 x 17.5	32 x 17.5	1499	49	60
<b>DHC - 460/3/60 - Three Phase - Low Heat <sup>③</sup></b>											
3	DHC036H4RLB005D	15.6 / 8.3	40,500	48,600 / 34,020	81%	41 x 44 x 69	18 x 15.5	24 x 14	658	13	15
4	DHC048H4RLA005D	16.5 / 8.8	48,750	48,600 / 34,020	81%	41 x 53 x 88	33 x 17.5	32 x 17.5	845	14	15
5	DHC060H4RLA005D	16.0 / 8.9	61,000	48,600 / 34,020	81%	41 x 53 x 88	33 x 17.5	32 x 17.5	849	15	20
6	DHC074H4RLA005D	15.5	78,900	64,800	81%	47 x 53 x 88	33 x 17.5	32 x 17.5	990	19	25
7.5	DHC092H4RLA005D	15.5	96,200	97,200	81%	47 x 53 x 88	33 x 17.5	32 x 17.5	1004	20	25
8.5	DHC102H4RLA005D	15.5	105,900	97,200	81%	47 x 53 x 88	33 x 17.5	32 x 17.5	1016	22	25
10	DHC120H4RLA005D	15.5	123,600	121,500/85,050	81%	51 x 63 x 100	33 x 17.5	32 x 17.5	1499	24	30
<b>DHC - 575/3/60 - Three Phase - Low Heat <sup>③</sup></b>											
3	DHC036HWRLB005D	15.7 / 8.8	36,400	48,600 / 34,020	81%	41 x 44 x 69	18 x 15.5	24 x 14	658	9	15
4	DHC048HWRLA005D	16.5 / 8.8	48,750	48,600 / 34,020	81%	41 x 53 x 88	33 x 17.5	32 x 17.5	845	10	15
5	DHC060HWRLA005D	16.0 / 8.9	61,000	48,600 / 34,020	81%	41 x 53 x 88	33 x 17.5	32 x 17.5	849	12	15
6	DHC074HWRLA005D	15.5	78,900	64,800	81%	47 x 53 x 88	33 x 17.5	32 x 17.5	990	21	25
7.5	DHC092HWRLA005D	15.5	96,200	97,200	81%	47 x 53 x 88	33 x 17.5	32 x 17.5	1004	22	25
8.5	DHC102HWRLA005D	15.5	105,900	97,200	81%	47 x 53 x 88	33 x 17.5	32 x 17.5	1016	23	25
10	DHC120HWRLA005D	15.5	123,600	121,500/85,050	81%	51 x 63 x 100	33 x 17.5	32 x 17.5	1499	23	30

005D = Includes Factory-Installed Hail Guards

\* Information subject to change. Please confirm with current Product Data/Service Facts for current factory production.

① HCAR breaker per NEC.

② SEER applies, 3-5 tons; HSPF applies 6-10 tons.

③ Precedent R-410A WSC/WHC/DHC accessory part numbers are now orderable as aftermarket kits. Some exceptions may apply.

For complete equipment / combination selections, installation instructions and warranty information, please refer to Product Data/Ratings and/or Installers Guides and Limited Warranty Handbooks.

R-410A LPH-2

Effective 1/1/26  
22-8301-39

Light Commercial Packaged Heat Pumps - R-410A



# Precedent™ Packaged Heat Pump Convertible 3-10 Tons, R-410A

Table R-410A-LPH-3-A — High Efficiency Dual Fuel Unit — ReliaTel™ Microprocessor Controls (Continued)

Tons	Unit Ordering No.	Performance <sup>②</sup> SEER/HSPF	Cooling Capacity (Btuh)	Gas Heating Output Capacity (Btuh) (2nd / 1st stage)	S.S. Furnace Eff%	Cabinet Dimensions (in.) H x D x W	Downflow Supply	Downflow Return	Shipping Weight (lbs.)	MCA*	Max <sup>①</sup> Fuse*
<b>DHC - 208-230/3/60 - Three Phase - Medium Heat <sup>③</sup></b>											
3	DHC036H3RMB005D	15.7 / 8.8	36,400	64,800 / 45,360	81%	41 x 44 x 69	18 x 15.5	24 x 14	658	23	30
4	DHC048H3RMA005D	16.5 / 8.8	48,750	81,000 / 56,700	81%	41 x 53 x 88	33 x 17.5	32 x 17.5	845	29	40
5	DHC060H3RMA005D	16.2 / 8.9	61,000	81,000 / 58,320	81%	41 x 53 x 88	33 x 17.5	32 x 17.5	849	32	45
6	DHC074H3RMA005D	15.5	78,900	97,200	81%	47 x 53 x 88	33 x 17.5	32 x 17.5	990	42	50
7.5	DHC092H3RMA005D	15.5	96,200	121,500/85,050	81%	47 x 53 x 88	33 x 17.5	32 x 17.5	1004	43	50
8.5	DHC102H3RMA005D	15.5	105,900	121,500/85,050	81%	47 x 53 x 88	33 x 17.5	32 x 17.5	1016	46	60
10	DHC120H3RMA005D	15.5	123,600	162,000/113,400	81%	51 x 63 x 100	33 x 17.5	32 x 17.5	1499	49	60
<b>DHC - 460/3/60 - Three Phase - Medium Heat <sup>③</sup></b>											
3	DHC036H4RMB005D	15.6 / 8.8	36,400	64,800 / 45,360	81%	41 x 44 x 69	18 x 15.5	24 x 14	658	13	15
4	DHC048H4RMA005D	16.5 / 8.8	48,750	81,000 / 56,700	81%	41 x 53 x 88	33 x 17.5	32 x 17.5	845	14	15
5	DHC060H4RMA005D	16.0 / 8.9	61,000	81,000 / 58,320	81%	41 x 53 x 88	33 x 17.5	32 x 17.5	849	15	20
6	DHC074H4RMA005D	15.5	78,900	97,200	81%	47 x 53 x 88	33 x 17.5	32 x 17.5	990	19	25
7.5	DHC092H4RMA005D	15.5	96,200	121,500/85,050	81%	47 x 53 x 88	33 x 17.5	32 x 17.5	1004	20	25
8.5	DHC102H4RMA005D	15.5	105,900	121,500/85,050	81%	47 x 53 x 88	33 x 17.5	32 x 17.5	1016	22	25
10	DHC120H4RMA005D	15.5	123,600	162,000/113,400	81%	51 x 63 x 100	33 x 17.5	32 x 17.5	1499	24	30
<b>DHC - 575/3/60 - Three Phase - Medium Heat <sup>③</sup></b>											
3	DHC036HWRMB005D	15.6 / 8.8	36,400	64,800 / 45,360	81%	41 x 44 x 69	18 x 15.5	24 x 14	658	9	15
4	DHC048HWRMA005D	16.5 / 8.8	48,750	81,000 / 56,700	81%	41 x 53 x 88	33 x 17.5	32 x 17.5	845	10	15
5	DHC060HWRMA005D	16.0 / 8.9	61,000	81,000 / 58,320	81%	41 x 53 x 88	33 x 17.5	32 x 17.5	849	12	15
6	DHC074HWRMA005D	15.5	78,900	97,200	81%	47 x 53 x 88	33 x 17.5	32 x 17.5	990	21	25
7.5	DHC092HWRMA005D	15.5	96,200	121,500/85,050	81%	47 x 53 x 88	33 x 17.5	32 x 17.5	1004	22	25
8.5	DHC102HWRMA005D	15.5	105,900	121,500/85,050	81%	47 x 53 x 88	33 x 17.5	32 x 17.5	1016	23	25
10	DHC120HWRMA005D	15.5	123,600	162,000/113,400	81%	51 x 63 x 100	33 x 17.5	32 x 17.5	1499	23	30
<b>DHC - 208-230/3/60 - Three Phase - High Heat <sup>③</sup></b>											
3	DHC036H3RHB005D	15.7 / 8.8	36,400	81,000 / 56,700	81%	41 x 44 x 69	18 x 15.5	24 x 14	658	23	30
4	DHC048H3RHA005D	16.5 / 8.8	48,750	105,300 / 73,710	81%	41 x 53 x 88	33 x 17.5	32 x 17.5	845	29	40
5	DHC060H3RHA005D	16.2 / 8.9	61,000	121,500 / 85,050	81%	41 x 53 x 88	33 x 17.5	32 x 17.5	849	32	45
6	DHC074H3RHA005D	15.5	78,900	121,500/85,050	81%	47 x 53 x 88	33 x 17.5	32 x 17.5	990	42	50
7.5	DHC092H3RHA005D	15.5	96,200	162,000/113,400	81%	47 x 53 x 88	33 x 17.5	32 x 17.5	1004	43	50
8.5	DHC102H3RHA005D	15.5	105,900	162,000/113,400	81%	47 x 53 x 88	33 x 17.5	32 x 17.5	1016	46	60
10	DHC120H3RHA005D	15.5	123,600	202,500/141,750	81%	51 x 63 x 100	33 x 17.5	32 x 17.5	1499	49	60
<b>DHC - 460/3/60 - Three Phase - High Heat <sup>③</sup></b>											
3	DHC036H4RHB005D	15.6 / 8.8	36,400	81,000 / 56,700	81%	41 x 44 x 69	18 x 15.5	24 x 14	658	13	15
4	DHC048H4RHA005D	16.5 / 8.8	48,750	105,300 / 73,710	81%	41 x 53 x 88	33 x 17.5	32 x 17.5	845	14	15
5	DHC060H4RHA005D	16.0 / 8.9	61,000	121,500 / 85,050	81%	41 x 53 x 88	33 x 17.5	32 x 17.5	849	15	20
6	DHC074H4RHA005D	15.5	78,900	121,500/85,050	81%	47 x 53 x 88	33 x 17.5	32 x 17.5	990	19	25
7.5	DHC092H4RHA005D	15.5	96,200	162,000/113,400	81%	47 x 53 x 88	33 x 17.5	32 x 17.5	1004	20	25
8.5	DHC102H4RHA005D	15.5	105,900	162,000/113,400	81%	47 x 53 x 88	33 x 17.5	32 x 17.5	1016	22	25
10	DHC120H4RHA005D	15.5	123,600	202,500/141,750	81%	51 x 63 x 100	33 x 17.5	32 x 17.5	1499	24	30
<b>DHC - 575/3/60 - Three Phase - High Heat <sup>③</sup></b>											
3	DHC036HWRHB005D	15.6 / 8.8	36,400	81,000 / 56,700	81%	41 x 44 x 69	18 x 15.5	24 x 14	658	9	15
4	DHC048HWRHA005D	16.5 / 8.8	48,750	105,300 / 73,710	81%	41 x 53 x 88	33 x 17.5	32 x 17.5	845	10	15
5	DHC060HWRHA005D	16.0 / 8.9	61,000	121,500 / 85,050	81%	41 x 53 x 88	33 x 17.5	32 x 17.5	849	12	15
6	DHC074HWRHA005D	15.5	78,900	121,500/85,050	81%	47 x 53 x 88	33 x 17.5	32 x 17.5	990	21	25
7.5	DHC092HWRHA005D	15.5	96,200	162,000/113,400	81%	47 x 53 x 88	33 x 17.5	32 x 17.5	1004	22	25
8.5	DHC102HWRHA005D	15.5	105,900	162,000/113,400	81%	47 x 53 x 88	33 x 17.5	32 x 17.5	1016	23	25
10	DHC120HWRHA005D	15.5	123,600	202,500/141,750	81%	51 x 63 x 100	33 x 17.5	32 x 17.5	1499	23	30

005D = Includes Factory-Installed Hail Guards

\* Information subject to change. Please confirm with current Product Data/Service Facts for current factory production.

① HCAR breaker per NEC.

② SEER applies, 3-5 tons; HSPF applies 6-10 tons.

③ Precedent R-410A WSC/WHC/DHC accessory part numbers are now orderable as aftermarket kits. Some exceptions may apply.



It's Hard To Stop A Trane.®

# Precedent™ Packaged Heat Pump Convertible 3-10 Tons, R-410A

Table R-410A-LPH-4-A – Base Unit – Standard Efficiency – ReliaTel™ Microprocessor Controls

Tons	Unit Ordering No.	Performance <sup>②</sup> SEER/HSPF	Cooling Capacity (Btuh)	Cabinet Dimensions (in.) H x D x W	Downflow Supply	Downflow Return	Shipping Weight (lbs.)	MCA*	Max <sup>①</sup> Fuse*
<b>WSC - 208-230/3/60 - Three Phase - No Electric Heat <sup>③</sup></b>									
3	WSC036H3R0A005D	14.3	39,500	41 x 44 x 69	18 x 15.5	24 x 14	612	26	40
4	WSC048H3R0A005D	14.3	50,000	41 x 44 x 69	18 x 15.5	24 x 14	645	27	40
5	WSC060H3R0A005D	14.3	61,000	41 x 53 x 88	33 x 17.5	32 x 17.5	777	31	45
7½	WSC092H3R0B005D	14.1	95,300	47 x 53 x 88	33 x 17.5	32 x 17.5	894	40	60
8½	WSC102H3R0B005D	14.1	103,200	47 x 53 x 88	33 x 17.5	32 x 17.5	927	45	70
10	WSC120H3R0B005D	14.1	118,100	47 x 53 x 88	33 x 17.5	32 x 17.5	948	54	80
<b>WSC - 460/3/60 - Three Phase - No Electric Heat <sup>③</sup></b>									
3	WSC036H4R0A005D	14.3	39,500	41 x 44 x 69	18 x 15.5	24 x 14	612	11	15
4	WSC048H4R0A005D	14.3	50,000	41 x 44 x 69	18 x 15.5	24 x 14	645	12	15
5	WSC060H4R0A005D	14.3	61,000	41 x 53 x 88	33 x 17.5	32 x 17.5	777	15	20
7½	WSC092H4R0B005D	14.1	95,300	47 x 53 x 88	33 x 17.5	32 x 17.5	894	18	25
8½	WSC102H4R0B005D	14.1	103,200	47 x 53 x 88	33 x 17.5	32 x 17.5	927	20	30
10	WSC120H4R0B005D	14.1	118,100	47 x 53 x 88	33 x 17.5	32 x 17.5	948	24	35
<b>WSC - 575/3/60 - Three Phase - No Electric Heat <sup>③</sup></b>									
3	WSC036HWR0A005D	14.3	39,500	41 x 44 x 69	18 x 15.5	24 x 14	612	11	15
4	WSC048HWR0A005D	14.3	50,000	41 x 44 x 69	18 x 15.5	24 x 14	645	12	15
5	WSC060HWR0A005D	14.3	61,000	41 x 53 x 88	33 x 17.5	32 x 17.5	777	13	15
7½	WSC092HWR0B005D	14.1	95,300	47 x 53 x 88	33 x 17.5	32 x 17.5	894	14	20
8½	WSC102HWR0B005D	14.1	103,200	47 x 53 x 88	33 x 17.5	32 x 17.5	927	16	20
10	WSC120HWR0B005D	14.1	118,100	47 x 53 x 88	33 x 17.5	32 x 17.5	948	23	30

005D = Includes Factory-Installed Hail Guards

\* Information subject to change. Please confirm with current Product Data/Service Facts for current factory production.

① HCAR breaker per NEC.

② SEER applies, 3-5 tons; HSPF applies 6-10 tons.

③ Precedent R-410A WSC/WHC/DHC accessory part numbers are now orderable as aftermarket kits. Some exceptions may apply.

Light Commercial Packaged Heat Pumps - R-410A



# Precedent™ Packaged Heat Pump Convertible 3-10 Tons, R-410A (Model Digit Numbers)

Digit	Description	Order Number	Digit	Description	Order Number
1-8	Main Assembly (see previous page)		21	Communications Options	
9	Unit Controls			No Communications Interface .....	0
	ReliaTel™ Micro-processor.....	R		Trane Communications Interface .....	1
10	(Heater Table see next page)			LonTalk® Communications Interface.....	2
11	Design Sequence	*		BACnet™ Communications Interface.....	6
12-13	Service Sequence		22	Refrigeration System Option	
	First Sequence (Factory Assigned).....	*.*		Standard Refrigeration System® .....	0
14	Fresh Air Selection		23	Refrigeration Controls	
	No Fresh Air .....	0		No Refrigeration Control®.....	0
	Manual Outside Air Damper 0-50%® .....	A		Frostat .....	1
	Motorized Outside Air Damper 0-50%® .....	B	24	Smoke Detector	
	Economizer, Dry Bulb 0-100% without Barometric Relief®.....	C		No Smoke Detector .....	0
	Economizer, Dry Bulb 0-100% with Barometric Relief® .....	D		Return Air Smoke Detector®.....	A
	Economizer, Reference Enthalpy 0-100% without Barometric Relief® .....	E		Supply Air Smoke Detector .....	B
	Economizer, Reference Enthalpy 0-100% with Barometric Relief® .....	F		Supply and Return Air Smoke Detectors® .....	C
	Economizer, Comparative Enthalpy 0-100% without Barometric Relief® .....	G		Plenum Smoke Detector .....	D
	Economizer, Comparative Enthalpy 0-100% with Barometric Relief® .....	H	25	System Monitoring Controls	
	Low Leak Economizer, Dry Bulb with Barometric Relief.....	K		No Monitoring Control .....	0
	Low Leak Economizer, Comparative Enthalpy with Barometric Relief .....	M		Clogged Filter Switch .....	1
	Low Leak Economizer, Reference Enthalpy with Barometric Relief .....	P		Fan Failure Switch .....	2
15	Supply Fan/Drive Type/Motor			Discharge Air SensingTube .....	3
	Standard Drive® .....	0		Clogged Filter Switch and Fan Fail Switch.....	4
	Oversized Motor .....	1		Clogged Filter Switch and Discharge Air SensingTube.....	5
	Optional Belt Drive Motor.....	2		Fan Fail Switch and Discharge Air SensingTube.....	6
	Single Zone Variable Air Volume (SZVAV) .....	6		Clogged Filter and Fan Fail Switches and Discharge Air SensingTube .....	7
	Multi-Speed Indoor Fan® .....	7		Condensate Drain Pan Overflow Switch.....	A
16	Hinged Service Access/Filters			Clogged Filter Switch and Condensate Drain Pan Overflow Switch.....	B
	Standard Panels/Standard Filters .....	0		Fan Failure Switch and Condensate Drain Pan Overflow Switch.....	C
	Hinged Access Panels/Standard Filters .....	A		Discharge Air Sensing and Condensate Drain Pan Overflow Switch.....	D
	Standard Panels/2" MERV 8 Filters .....	B		Clogged Filter Switch, Fan Failure Switch and Condensate Drain Pan Overflow Switch.....	E
	Hinged Access Panels/2" MERV 8 Filters.....	C		Clogged Filter Switch, Discharge Air SensingTube and Condensate Drain Pan Overflow Switch.....	F
	Standard Panels/2" MERV 13 Filters .....	D		Fan Failure Switch, Discharge Air SensingTube and Condensate Drain Pan Overflow Switch.....	G
	Hinged Access Panels/2" MERV 13 Filters.....	E		Clogged Filter Switch, Fan Failure Switch, Discharge Air Sensing and Condensate Drain Pan Overflow Switch .....	H
17	Condenser Coil Protection		26	System Monitoring Controls	
	Standard Coil .....	0		No Monitoring Controls .....	0
	Standard Coil with Hail Guard.....	1		Demand Control Ventilation (CO2)® .....	A
	Black Epoxy Pre-Coated Condenser Coil.....	2	27	Unit Hardware Enhancements	
	Black Epoxy Pre-Coated Condenser Coil with Hail Guard .....	3		No Enhancements .....	0
18	Through the Base Provisions			Stainless Steel Drain Pan .....	1
	No Through the Base Provisions.....	0	31	Advanced Unit Controls	
	Through the Base Electric® .....	A		Standard Unit Controls.....	0
19	Disconnect/Circuit Breaker (three-phase only)			Human Interface .....	1
	No Disconnect/No Circuit Breaker.....	0			
	Unit Mounted Non-Fused Disconnect®.....	1			
	Unit Mounted Circuit Breaker®.....	2			
20	Convenience Outlet				
	No Convenience Outlet .....	0			
	Unpowered Convenience Outlet .....	A			
	Powered Convenience Outlet (three-phase only)®.....	B			

- ① Available on 3-5 ton models.
- ② Manual outside air damper will ship factory supplied within the unit, but must be field installed.
- ③ High pressure control is standard on all units.
- ④ Multispeed direct drive standard on single-phase products. Belt drive standard on three-phase 3-7½ ton. Variable speed direct drive standard on 10 ton.
- ⑤ Economizer with Barometric Relief is for downflow configured units only. Order Economizer without Barometric Relief for horizontal configuration. Barometric Relief for horizontal configured units must be ordered as field installed accessory.
- ⑥ Through the base electric required when ordering disconnect/circuit breaker options.
- ⑦ Requires use of Disconnect or Circuit Breaker.
- ⑧ Standard metering devices are TXVs.
- ⑨ The return air smoke detector may not fit up or work properly on the Precedent units when used in conjunction with 3rd party accessories such as bolt on heat wheels, economizers and power exhaust. Do not order the return air smoke detectors when using this type of accessory.
- ⑩ Requires hinged access panels.
- ⑪ Crankcase heaters are only available as option on WSC036E, WSC048E1, & WSC060E1. CCH are standard on all other units.
- ⑫ Motorized outside air damper is not available on Multi-Speed or SZVAV (Single Zone Variable Air Volume) products.
- ⑬ Frostat standard on Multi-speed and SZVAV (Single Zone Variable Air Volume) products.
- ⑭ Multi-speed indoor fan only available on 10 ton products.
- ⑮ Demand Control Ventilation Option includes wiring only. The CO2 sensor is a field-installed only option.

Light Commercial  
Packaged Heat Pumps - R-410A



It's Hard To Stop A Trane.®

# Precedent™ Packaged Heat Pump Convertible 3-10 Tons, R-410A (Model Digit Numbers)

## Heaters (Digit 10)

kW Rating	Digit	Nominal BTUH	No. Stages	Used With
<b>208/240/3/60</b>				
4.5/6.0	(B)	13,400/20,500	1	WSC036-060H3, WHC036-060H3
9.0/12.0	(E)	30,800/59,400	2	WSC036-060H3, WHC036-060H3
13.1/17.4	(G)	44,600/59,400	2	WSC036-060H3, WHC036-060H3
17.3/23.0	(J)	58,900/78,500	2	WSC060H3, WHC060H3
6.75/9.0	(C)	23,000/30,700	1	WSC092-102H3, WHC074-102H3
13.5/18.0	(G)	46,100/61,400	1	WSC092-102H3, WHC074-102H3
20.3/27.0	(K)	69,000/92,100	2	WSC092-102H3, WHC074-102H3
27.0/36.0	(N)	92,200/122,900	2	WSC092-102H3, WHC074-102H3
40.5/54.0	(P)	138,200/184,300	2	WSC120H3, WHC120H3
<b>460/3/60</b>				
6.0	(B)	20,500	1	WSC036-060H4, WHC036-060H4
12.0	(E)	41,000	2	WSC036-060H4, WHC036-060H4
17.4	(G)	59,400	2	WSC036-060H4, WHC036-060H4
23.0	(J)	78,500	2	WSC060H4, WHC060H4
9.0	(C)	30,700	1	WSC092-102H4, WHC074-102H4
18.0	(G)	61,400	1	WSC092-102H4, WHC074-102H4
27.0	(K)	92,100	2	WSC092-102H4, WHC074-102H4
36.0	(N)	122,900	2	WSC092-102H4, WHC074-102H4
54.0	(P)	184,300	2	WSC120H4, WHC120H4
<b>575/3/60</b>				
6.0	(B)	20,500	1	WSC036-060HW, WHC036-060HW
12.0	(E)	41,000	2	WSC036-060HW, WHC036-060HW
17.4	(G)	59,400	2	WSC036-060HW, WHC036-060HW
23.0	(J)	78,500	2	WSC060HW, WHC060HW
9.0	(C)	30,700	1	WSC092-102HW, WHC074-102HW
18.0	(G)	61,400	1	WSC092-102HW, WHC074-102HW
27.0	(K)	92,100	2	WSC092-102HW, WHC074-102HW
36.0	(N)	122,900	2	WSC092-102HW, WHC074-102HW
54.0	(P)	184,300	2	WSC120HW, WHC120HW

### Digit 15 Selection Details

#### Digit 15 = 0

##### Standard Efficiency

- 3 Phase (3 to 5 Ton) = Multispeed Direct Drive Motor
- 3 Phase (6 to 8.5 Ton) = Belt Drive
- 3 Phase (10 Ton) = Ultra High Efficiency Direct Drive Plenum Fan

##### High Efficiency

- 1 Phase = High Efficiency Multispeed Direct Drive Motor
- 3 Phase (3 to 5 ton) = High Efficiency Multispeed Direct Drive Motor
- 3 Phase (3 to 5 ton w/Dehumidification) = Belt Drive Motor
- 3 Phase [6 (074) to 10 ton] = Ultra High Efficiency Direct Drive Plenum Fan

#### Digit 15 = 2

##### Standard Efficiency

- 3 Phase = Not Available

##### High Efficiency

- 1 Phase = Not Available

For complete equipment / combination selections, installation instructions and warranty information, please refer to Product Data/Ratings and/or Installers Guides and Limited Warranty Handbooks.

R-410A LPH-6

Effective 1/1/26  
22-8301-39

Light Commercial Packaged Heat Pumps - R-410A



It's Hard To Stop A Trane.®



Small compact cabinet  
Recessed access handles

## Precedent™ Packaged Heat Pump with Symbio™ Convertible 12.5-25 Tons, R-410A

### Standard Features:

- Symbio 700 controller
- MultiSpeed Indoor
- Manifolded scroll compressors
- 6-17.5 tons = 3 stages of cooling; 20-25 tons = 4 stages of cooling
- Al fin/Cu tube condenser and evaporator coils
- Colored, keyed, and numbered wiring
- Froststat
- Phase monitor
- Coil/Hailguards
- Crankcase heaters on all compressors
- 2" filters
- Backward curved direct drive plenum supply fan
- Liquid line refrigerant drier
- Operating Charge of R-410A
- Composite dual sloped drain pans
- Single point power for electric heat
- Low Ambient cooling to 40°F
- 5 - year Limited Compressor Warranty
- 3 - year Limited Parts Warranty

### Added Flexibility

- Standard or high efficiency cooling models available.
- Convertible airflow (ships in downflow application)
- Hybrid/dual fuel option
- 2" filters included
- Fork lift openings on three sides of unit
- Choose options tailored to suit each job —pay only for what is needed
- Units ship with options installed —and within our standard ship cycle time

### Factory Installed Options

- Outdoor air dampers (manual or motorized)
- Economizers (Base or Low Leak)
- Dry Bulb, Reference Enthalpy, Comparative Enthalpy, or Differential Dry Bulb economizer control options
- Stainless steel tubular heat exchanger
- Through-the-Base — Electrical & Gas
- Convenience Outlet — Powered or unpowered
- Unit Disconnect Switch
- Smoke Detectors — Supply, return, or both
- Condenser Coil Coating
- Hinged Access Service Panels
- Discharge Air Sensor
- Low Ambient cooling to 0°F
- Clogged Filter Switch
- Dehumidification (Modulating Hot Gas Reheat)
- Symbio 700 BACnet® communication interface license
- Symbio 700 LonTalk® communication interface license
- 2" MERV 8 filters or 2" MERV 13 filters
- Single Zone or Multiple Zone VAV Indoor Airflow
- Demand Control Ventilation
- Stainless Steel Drainpan
- Condensate Drainpan Overflow Switch



It's Hard To Stop A Trane.®

# Precedent™ Packaged Heat Pump with Symbio™ Convertible 12.5 - 25 Tons, R-410A High Efficiency

**Table R-410A-LPH-8-A – Base Unit– High Efficiency – Symbio**

Tons	Unit Ordering No.	Performance IEER(2-speed)/EER	Net Cooling Capacity (Btuh)	Cabinet Dimensions (in.) H x W x L	Cabinet	Shipping Weight (lbs.)	MCA**	Max Fuse**
<b>WHJ – 208-230/3/60 – Three Phase</b>								
12.5	WHJ150A3S0L0000	17.8/12.3	154,000	59 x 87 x 123	D	2225	72	90
15	WHJ180A3S0L0000	17.9/12.0	182,000	59 x 87 x 123	D	2246	78	100
20	WHJ240A3S0L0000	17.2/11.2	246,000	66 x 87 x 123	D.1	2403	108	150
25	WHJ300A3S0L0000	16.1/10.4	272,000	66 x 87 x 123	D.1	2405	119	150
<b>WHJ – 460/3/60 – Three Phase</b>								
12.5	WHJ150A4S0L0000	17.8/12.3	154,000	59 x 87 x 123	D	2225	37	50
15	WHJ180A4S0L0000	17.9/12.0	182,000	59 x 87 x 123	D	2246	41	50
20	WHJ240A4S0L0000	17.2/11.2	246,000	66 x 87 x 123	D.1	2403	54	70
25	WHJ300A4S0L0000	16.1/10.4	272,000	66 x 87 x 123	D.1	2405	59	80
<b>WHJ – 575/3/60 – Three Phase</b>								
12.5	WHJ150AWS0L0000	17.8/12.3	154,000	59 x 87 x 123	D	2225	29	40
15	WHJ180AWS0L0000	17.9/12.0	182,000	59 x 87 x 123	D	2246	32	40
20	WHJ240AWS0L0000	17.2/11.2	246,000	66 x 87 x 123	D.1	2403	47	60
25	WHJ300AWS0L0000	16.1/10.4	272,000	66 x 87 x 123	D.1	2405	46	60

0000 = Includes Factory-Installed Hail Guards and Multi-Speed Motor

\*\* Information subject to change. Please confirm with current product catalog Or IOM for current factory production.

**Table R-410A-LPH-8-B – Base Unit– High Efficiency Dual Fuel Unit – Symbio**

Tons	Unit Ordering No.	Performance IEER(2-speed)/EER	Net Cooling Capacity (Btuh)	Cabinet Dimensions (in.) H x W x L	Cabinet	Shipping Weight (lbs.)	MCA**	Max Fuse**
<b>DHJ – 208-230/3/60 – Three Phase</b>								
12.5	DHJ150A3S0L0000	17.6/12.2	154,000	59 x 87 x 123	D	2225	72	90
15	DHJ180A3S0L0000	17.7/11.8	182,000	59 x 87 x 123	D	2246	78	100
20	DHJ240A3S0L0000	17.0/11.0	246,000	59 x 87 x 123	D	2403	108	150
25	DHJ300A3S0L0000	15.9/10.2	272,000	59 x 87 x 123	D	2405	119	150
<b>DHJ – 460/3/60 – Three Phase</b>								
12.5	DHJ150A4S0L0000	17.6/12.1	154,000	59 x 87 x 123	D	2225	37	50
15	DHJ180A4S0L0000	17.7/11.8	182,000	59 x 87 x 123	D	2246	41	50
20	DHJ240A4S0L0000	17.0/11.0	246,000	66 x 87 x 123	D.1	2403	54	70
25	DHJ300A4S0L0000	15.9/10.2	272,000	66 x 87 x 123	D.1	2405	59	80
<b>DHJ – 575/3/60 – Three Phase</b>								
12.5	DHJ150AWS0L0000	17.6/12.1	154,000	59 x 87 x 123	D	2225	29	40
15	DHJ180AWS0L0000	17.7/11.8	182,000	59 x 87 x 123	D	2246	32	40
20	DHJ240AWS0L0000	17.0/11.0	246,000	66 x 87 x 123	D.1	2403	47	60
25	DHJ300AWS0L0000	15.9/10.2	272,000	66 x 87 x 123	D.1	2405	46	60

0000 = Includes Factory-Installed Hail Guards and Multi-Speed Motor

\*\* Information subject to change. Please confirm with current product catalog Or IOM for current factory production.

Light Commercial Packaged Heat Pumps - R-410A



# Precedent™ Packaged Heat Pump with Symbio™ Convertible 12.5-25 Tons, R-410A

**Table R-410A-LPH-9-A – Base Unit– Standard Efficiency – Symbio**

Tons	Unit Ordering No.	Performance IEER(2-speed)/EER	Net Cooling Capacity (Btuh)	Cabinet Dimensions (in.) H x W x L	Cabinet	Shipping Weight (lbs.)	MCA**	Max Fuse**
<b>WSJ – 208-230/3/60 – Three Phase</b>								
12.5	WSJ150A3S0L0000	13.5/10.6	154,000	59 x 87 x 123	D	2225	72	90
15	WSJ180A3S0L0000	13.5/10.6	182,000	59 x 87 x 123	D	2246	78	100
20	WSJ240A3S0L0000	12.5/9.5	246,000	66 x 87 x 123	D.1	2403	108	150
25	WSJ300A3S0L0000	12.5/9.5	272,000	66 x 87 x 123	D.1	2405	119	150
<b>WSJ – 460/3/60 – Three Phase</b>								
12.5	WSJ150A4S0L0000	13.5/10.6	154,000	59 x 87 x 123	D	2225	37	50
15	WSJ180A4S0L0000	13.5/10.6	182,000	59 x 87 x 123	D	2246	41	50
20	WSJ240A4S0L0000	12.5/9.5	246,000	59 x 87 x 123	D	2403	54	70
25	WSJ300A4S0L0000	12.5/9.5	272,000	59 x 87 x 123	D	2405	59	80
<b>WSJ – 575/3/60 – Three Phase</b>								
12.5	WSJ150AWS0L0000	13.5/10.6	154,000	50 <sup>7/8</sup> x 63 <sup>1/8</sup> x 99 <sup>5/8</sup>	C	2225	29	40
15	WSJ180AWS0L0000	13.5/10.6	182,000	59 x 87 x 123	D	2246	32	40
20	WSJ240AWS0L0000	12.5/9.5	246,000	66 x 87 x 123	D.1	2403	47	60
25	WSJ300AWS0L0000	12.5/9.5	272,000	66 x 87 x 123	D.1	2405	46	60

0000 = Includes Factory-Installed Hail Guards and Multi-Speed Motor

\*\* Information subject to change. Please confirm with current product catalog Or IOM for current factory production.

**Table R-410A-LPH-9-B – Base Unit– Standard Efficiency Dual Fuel Unit – Symbio**

Tons	Unit Ordering No.	Performance IEER(2-speed)/EER	Net Cooling Capacity (Btuh)	Cabinet Dimensions (in.) H x W x L	Cabinet	Shipping Weight (lbs.)	MCA**	Max Fuse**
<b>DSJ – 208-230/3/60 – Three Phase</b>								
12.5	DSJ150A3S0L0000	13.3/10.4	154,000	59 x 87 x 123	D	2225	72	90
15	DSJ180A3S0L0000	13.3/10.4	182,000	59 x 87 x 123	D	2246	78	100
20	DSJ240A3S0L0000	12.5/9.5	246,000	66 x 87 x 123	D.1	2403	108	150
25	DSJ300A3S0L0000	12.3/9.3	272,000	66 x 87 x 123	D.1	2405	119	150
<b>DSJ – 460/3/60 – Three Phase</b>								
12.5	DSJ150A4S0L0000	13.3/10.4	154,000	59 x 87 x 123	D	2225	37	50
15	DSJ180A4S0L0000	13.3/10.4	182,000	59 x 87 x 123	D	2246	41	50
20	DSJ240A4S0L0000	12.5/9.5	246,000	66 x 87 x 123	D.1	2403	54	70
25	DSJ300A4S0L0000	12.3/9.3	272,000	66 x 87 x 123	D.1	2405	59	80
<b>DSJ – 575/3/60 – Three Phase</b>								
12.5	DSJ150AWS0L0000	13.3/10.4	154,000	59 x 87 x 123	D	2225	29	40
15	DSJ180AWS0L0000	13.3/10.4	182,000	59 x 87 x 123	D	2246	32	40
20	DSJ240AWS0L0000	12.5/9.5	246,000	66 x 87 x 123	D.1	2403	47	60
25	DSJ300AWS0L0000	12.3/9.3	272,000	66 x 87 x 123	D.1	2405	46	60

0000 = Includes Factory-Installed Hail Guards and Multi-Speed Motor

\*\* Information subject to change. Please confirm with current product catalog Or IOM for current factory production.

Light Commercial Packaged Heat Pumps - R-410A



# Precedent™ Packaged Heat Pump with Symbio, Convertible 12.5-25 Tons, R-410A (Model Digit Numbers)

Digit	Description	Order Number	Digit	Description	Order Number
1	<b>Unit Function</b>		16	<b>Hinged Service Access &amp; Filters</b>	
	Packaged Heat Pump®.....	W		Standard Panels/Standard Filters.....	0
	Duel Fuel Heat Pump®.....	D		Hinged Access Panels/Standard Filters.....	A
2	<b>Cooling Efficiency</b>			Standard Panels/2" MERV 8 Filters.....	B
	Standard Efficiency.....	S		Hinged Access Panels/2" MERV 8 Filters.....	C
	High Efficiency.....	H		Standard Panels/2" MERV 13 Filters.....	D
3	<b>Refrigerant</b>			Hinged Access Panels/2" MERV 13 Filters.....	E
	R-410A.....	J	17	<b>Condenser Coil Protection</b>	
4,5,6	<b>Nominal Gross Cooling Capacity (MBh)</b>			Standard Coil.....	0
	12.5 Ton.....	150	18	<b>Through the Base Provisions</b>	
	15 Ton.....	180		No Through-the Base-Provisions.....	0
	20 Ton.....	240		Through-the-Base Electric.....	A
	25 Ton.....	300	19	<b>Disconnect/Circuit Breaker (3 phase only)</b>	
7	<b>Design Sequence</b>			No Disconnect/Circuit Breaker.....	0
		*		Unit Mounted/Non-Fused Disconnect.....	1
8	<b>Voltage</b>			Unit Mounted Circuit Breaker.....	2
	208-230/60/3.....	3	20	<b>Convenience Outlet</b>	
	460/60/3.....	4		No Convenience Outlet.....	0
	575/60/3.....	W		Unpowered 20A Convenience Outlet.....	A
9	<b>Unit Controls</b>			Powered 15A Convenience Outlet (3 phase only).....	B
	Symbio 700.....	S	21	<b>Communications Options</b>	
10	<b>Heat Type</b>			No Communications Interface.....	0
	Base Model (None or Electric).....	0		Advanced Controller with BACnet® Communications Interface.....	1
11	<b>Heating Capacity</b>			Advanced Controller with LonTalk® Communications Interface.....	2
	No Heat.....	0		Advanced Controller with Air-Fi® Communications Interface.....	3
	Low Heat.....	L	22	<b>Refrigeration System Option</b>	
	Medium Heat.....	M		Standard Refrigeration System.....	0
	High Heat.....	H		Dehumidification Option ①③⑤.....	A
	18 kW Electric Heat①.....	G	23	<b>Controls Expansion Module</b>	
	27 kW Electric Heat①.....	K		None.....	0
	36 kW Electric Heat①.....	N		XM-30 Expansion Module.....	1
	54 kW Electric Heat①.....	P		XM-32 Expansion Module.....	2
	72 kW Electric Heat①.....	R		XM-30 and XM-32 Expansion Module.....	3
12-13	<b>Service Sequence</b>			XM-30 Expansion Module (Qty 2).....	4
	Factory Supplied.....	*,*		XM-32 Expansion Module (Qty 2).....	5
14	<b>Fresh Air Selection</b>		24	<b>Smoke Detector</b>	
	No Fresh Air.....	0		No Smoke Detector.....	0
	Manual Outside Air Damper 0-50%.....	A		Return Air Smoke Detector2.....	A
	Motorized Outside Air Damper 0-50%②⑤.....	B		Supply Air Smoke Detector1.....	B
	Economizer, Dry Bulb 0-100% without Barometric Relief②⑤.....	C		Supply and Return Air Smoke Detectors ①②.....	C
	Economizer, Dry Bulb 0-100% with Barometric Relief②⑤.....	D	25	<b>System Monitoring Controls</b>	
	Economizer, Reference Enthalpy 0-100% without Barometric Relief②⑤.....	E		No Monitoring Control.....	0
	Economizer, Reference Enthalpy 0-100% with Barometric Relief②⑤.....	F		Clogged Filter Switch2.....	1
	Economizer, Comparative Enthalpy 0-100% without Barometric Relief②⑤.....	G		Condensate Overflow Switch①.....	2
	Economizer, Comparative Enthalpy 0-100% with Barometric Relief②⑤.....	H		Discharge Air Sensing Tube.....	3
	Downflow Low Leak Economizer, Dry Bulb with Barometric Relief②⑤.....	K		Clogged Filter Switch and Condensate Overflow Switch①②.....	4
	Downflow Low Leak Economizer, Reference Enthalpy with Barometric Relief②⑤.....	M		Clogged Filter Switch and Discharge Air Sensing Tube②.....	5
	Downflow Low Leak Economizer, Comparative Enthalpy with Barometric Relief②⑤.....	P		Condensate Overflow Switch and Discharge Air Sensing Tube①.....	6
	Downflow Low Leak Economizer, Differential Dry Bulb with Barometric Relief②⑤.....	R		Clogged Filter Switch, Condensate Overflow Switch and Discharge Air Sensing Tube①②.....	7
15	<b>Supply Fan/Drive Type/Motor</b>		26	<b>Not Used</b>	
	Standard Drive.....	0			
	Optional Oversized/High Static Motor.....	1	27	<b>Hardware Enhancements</b>	
	Single Zone Variable Air Volume (SZVAV) with Standard Motor③.....	2		No Enhancements.....	0
	Single Zone Variable Air Volume (SZVAV) with Oversized/High Static Motor③.....	3		Stainless Steel Drain Pan.....	1
	Multiple Zone Variable Air Volume (MZVAV) with Standard Motor①⑤.....	4	28	<b>Short Circuit Current Rating</b>	
	Multiple Zone Variable Air Volume (MZVAV) with Oversized/High Static Motor①⑤.....	5		Standard (5k) SCCR Marking.....	0
				Tier 2 (=65K) SCCR Marking.....	A

① Includes Symbio Indoor Module.  
 ② Includes Symbio Fresh Air Module.  
 ③ Includes Symbio Customer Connection Module.  
 ④ Standard Low Ambient Cooling Limit is 40°F.  
 ⑤ Includes Discharge Air Sensor

Light Commercial Packaged Heat Pumps - R-410A



# Precedent™ Packaged Heat Pump with Symbio, Convertible 12.5-25 Tons, R-410A Accessories

Table LPH-11-A – Accessories

Model Number	Description	Used With Cabinets	Used With
FIAEHWD318*①	18kW, 208-230V Electric Heater	D	WSJ/WHJ/DSJ/DHJ150A3-180A3
FIAEHWD336*①	36kW, 208-230V Electric Heater	D	WSJ/WHJ/DSJ/DHJ150A3-300A3
FIAEHWD354*①	54kW, 208-230V Electric Heater	D	WSJ/WHJ/DSJ/DHJ150A3-300A3
FIAEHWD372*①	72kW, 208-230V Electric Heater	D	WSJ/WHJ/DSJ/DHJ210A3-300A3
FIAEHWD418*①	18kW, 460V Electric Heater	D	WSJ/WHJ/DSJ/DHJ150A4-180A4
FIAEHWD436*①	36kW, 460V Electric Heater	D	WSJ/WHJ/DSJ/DHJ150A4-300A4
FIAEHWD454*①	54kW, 460V Electric Heater	D	WSJ/WHJ/DSJ/DHJ150A4-300A4
FIAEHWD472*①	72kW, 460V Electric Heater	D	WSJ/WHJ/DSJ/DHJ210A4-300A4
FIAEHWDW18*①	18kW, 575V Electric Heater	D	WSJ/WHJ/DSJ/DHJ150AW-180AW
FIAEHWDW36*①	36kW, 575V Electric Heater	D	WSJ/WHJ/DSJ/DHJ150AW-300AW
FIAEHWDW54*①	54kW, 575V Electric Heater	D	WSJ/WHJ/DSJ/DHJ150AW-300AW
FIAEHWDW72*①	72kW, 575V Electric Heater	D	WSJ/WHJ/DSJ/DHJ210AW-300AW
FIABARM003*	Barometric Relief	D	WSJ/WHJ/DSJ/DHJ150A-300A
FIAC02K001*	CO2 (DCV) Wall Mounted Sensor	ALL	WSJ/WHJ/DSJ/DHJ150A-300A
FIAC02K002*	CO2 (DCV) Duct Mounted Sensor	ALL	WSJ/WHJ/DSJ/DHJ150A-300A
FIACURB404*	14-inch Full Perimeter Knockdown Curb	D	WSJ/WHJ/DSJ/DHJ150A-300A
FIACLFS003*②	Clogged Filter Switch	D	WSJ/WHJ/DSJ/DHJ150A-300A
FIACLFS004*②	Clogged Filter Switch (MERV13)	D	WSJ/WHJ/DSJ/DHJ150A-300A
FIADAST003*③	Discharge Air Sensing Tube Kit T/W Models	B	TSJ/THJ/WSJ/WHJ/DSJ/DHJ072A-120A
FIADAST004*③	Discharge Air Sensing Tube Kit Y Models	B	YSJ/YHJ072A-120A
FIADAST005*③	Discharge Air Sensing Tube Kit T Models	C	TSJ/THJ150A
FIADAST006*③	Discharge Air Sensing Tube Kit Y Models	C	YSJ/YHJ150A
FIADAST007*③	Discharge Air Sensing Tube Kit T/W/Y Models (Digit 11 = L)	D	TSJ/YSJ/THJ/YSJ180A-300A, WSJ/WHJ/DSJ/DHJ150A-300A
FIADAST008*③	Discharge Air Sensing Tube Kit T/W/Y Models (DIGIT 11 DOES NOT EQUAL L)	D	TSJ/YSJ/THJ/YHJ180A-300A, WSJ/WHJ150A-300A
FIADFDB001*④	Differential Dry Bulb Economizer Control	ALL	WSJ/WHJ/DSJ/DHJ150A-300A
FIADMPR003*	Manual Damper	D	WSJ/WHJ/DSJ/DHJ150A-300A
FIADMPR103*⑤	Motorized Damper	D	WSJ/WHJ/DSJ/DHJ150A-300A
FIAECON003*⑥⑥	Dry Bulb Downflow Economizer	D	WSJ/WHJ/DSJ/DHJ150A-300A
FIAECON303*⑥⑥	Dry Bulb Horizontal Economizer	D	WSJ/WHJ/DSJ/DHJ150A-300A
FIAECON103*⑥⑥	Dry Bulb Downflow Low Leak	D	WSJ/WHJ/DSJ/DHJ150A-300A
FIAECON203*⑥⑥	Dry Bulb Horizontal Low Leak	D	WSJ/WHJ/DSJ/DHJ150A-300A
FIAENTH001*	Reference Enthalpy Economizer Control	ALL	WSJ/WHJ/DSJ/DHJ150A-300A
FIAENTH002*	Comparative Enthalpy Economizer Control	ALL	WSJ/WHJ/DSJ/DHJ150A-300A
FIAHTST001*	High Temperature (Fire) Duct Mounted Stat	ALL	WSJ/WHJ/DSJ/DHJ150A-300A
FIAHZDC001*⑦	Horizontal Conversion Panel (for DSJ/DHJ, requires TCO)	D	WSJ/WHJ/DSJ/DHJ150A-300A
FIALOAM002*	Low Ambient	ALL	WSJ/WHJ/DSJ/DHJ150A-300A
FIALTCI001*	LonTalk Communication Interface	ALL	WSJ/WHJ/DSJ/DHJ150A-300A
FIAOPTN001*	Indoor Options Module	ALL	WSJ/WHJ/DSJ/DHJ150A-300A
FIAOPTN002*	Fresh Air Options Module	ALL	WSJ/WHJ/DSJ/DHJ150A-300A
FIAOVFL001*⑧	Condensate Overflow Switch	ALL	WSJ/WHJ/DSJ/DHJ150A-300A
FIAPWRX303*⑨	Power Exhaust 230V	D	WSJ/WHJ/DSJ/DHJ150A3-300A3
FIAPWRX403*⑨	Power Exhaust 460V	D	WSJ/WHJ/DSJ/DHJ150A4-300A4
FIAPWRXW03*⑨	Power Exhaust 575V	D	WSJ/WHJ/DSJ/DHJ150AW-300AW
FIASCCM001*⑩④	Symbio Customer Connection Module	ALL	WSJ/WHJ/DSJ/DHJ150A-300A
FIAXMOD030*⑩	Symbio 700 XM30 Expansion Module	ALL	WSJ/WHJ/DSJ/DHJ150A-300A
FIAXMOD032*	Symbio 700 XM32 Expansion Module	ALL	WSJ/WHJ/DSJ/DHJ150A-300A
FIAS7ADV01A*	Symbio 700 Advanced Diagnostics And Communicating	ALL	WSJ/WHJ/DSJ/DHJ072A-300A

- ① May require Symbio™ Indoor Options Module (FIAOPTN001\*) if field installed.
- ② May require Symbio™ Fresh Air Options Module (FIAOPTN002\*) if field installed.
- ③ Provides Ventilation Override, External Auto/Stop, Alarm Indicator, Remote Min Position.
- ④ Requires Symbio Advanced Controller (digit 21=1 or 3).
- ⑤ Requires Tracer TU and Utilizes TGP2 Software (programming knowledge required).
- ⑥ May require corresponding Discharge Air Sensor (FIADAST\*\*\*\*) if field installed
- ⑦ Included on factory-installed MZVAV configurations and on Heat Pump (WSJ/WHJ) models
- \* Parts designator subject to change

Light Commercial Packaged Heat Pumps - R-410A



It's Hard To Stop A Trane.®

# Precedent™ Packaged Gas/Electric Rooftop Units, R-454B



Small compact cabinet  
Recessed access handles



Precedent™ rooftop units have been redesigned to deliver the most complete offering of 3 to 25 ton gas, hybrid, and all-electric light commercial packaged rooftop solutions. The wide range of offerings allow Precedent rooftop systems to serve a variety of commercial applications.

## Standard Features:

- Operating Charge of R-454B
- Control Box Access Hinged Doors & Access Panels
- Anti-Short Cycle Timer
- Coil Guards
- Convertible Airflow
- Colored and Numbered Wiring
- Crankcase Heaters
- Direct Drive Forward Curve Fan
- Direct Drive Fans
- Discharge Air Temperature Sensing Kit
- Fault Detection and Diagnostics (FDD)
- Filter Removal Tool
- Foil-Faced and Edge Protected Insulation
- Symbio700™ Controls
- Frostat™
- High Pressure Control
- Low Pressure Control
- IAQ Dual Sloped Composite Drain Pan
- Liquid Line Refrigerant Drier
- Low Ambient to 40 degrees F
- Microchannel Coils
- Phase Monitor
- Phase Balance/Loss/Reversal Protection
- Single Point Power
- Thermal Expansion Valve
- Through-the-Base Condensate
- 3-year limited Parts warranty
- 5-year limited Compressor warranty
- 10-year limited heat exchanger warranty
- 15-year limited stainless steel heat exchanger warranty

## Field-Installed Accessories:

- Economizer: Standard - Horizontal
- Economizer: Low Leak - Horizontal
- LP Conversion Kit
- Ventilation Override
- CO2 Sensor
- High Altitude Kit
- High Temperature Sensor
- Low Ambient Cooling to 0 Degrees F
- Power Exhaust
- Curbs
- Quick Adapt Curb

## Added Flexibility, Factory or Field Installed Features:

- Economizer: Standard - Downflow / Convertible
- Economizer: Low Leak - Downflow
- Barometric Relief
- Electric Heater
- Manual Outside Air Damper
- Motorized Outside Air Damper
- Reference or Comparative Enthalpy
- Clogged Filter Switch
- Condensate Overflow Switch
- Discharge Air Temperature Sensing Kit - Standard (MultiSpeed)

## Factory-Installed Only Features:

- Humidity Control - Modulating Hot Gas Reheat (HGRH)
- Modulating Gas Heat
- High Static/Oversized Motors
- Variable Airflow (SZVAV)/Variable Airflow (MZVAV)
- 2 inch MERV 8 Filters or 2 inch MERV 13 Filters
- Access Doors - Hinged
- Powered or Unpowered Convenience Outlet
- Smoke Detectors - Return / Supply
- Stainless Steel Drain Pan
- Through-the-Base Condensate
- Through-the-Base Electrical with Circuit Breaker
- Through-the-Base Electrical with Disconnect Switch
- Through-the-Base Gas Piping
- Tubular Gas Heat Exchanger

Note: Equipment feature availability is dependent on unit configuration. For more information, see Trane® Select Assist™ or contact product support.

The same Trane Quality and Reliability ... with added Flexibility!

For complete equipment / combination selections, installation instructions and warranty information, please refer to Product Data/Ratings and/or Installers Guides and Limited Warranty Handbooks.

LPG-1

Effective 1/1/26  
22-8301-39



It's Hard To Stop A Trane.®

# Precedent™ Packaged Gas/Electric Rooftop Units, R-454B

## (Nomenclature / Model Number Digits)

Digit	Description	Order Number	
1	<b>Unit Function</b>		
	Package Cooling, Electric Heat	T	
	Package Gas/Electric	Y	
2	<b>Efficiency</b>		
	Standard Efficiency	S	
	High Efficiency	H	
3	<b>Refrigerant</b>		
	R-410A Refrigerant - Convertible Airflow	J	
	R-454B Refrigerant - Convertible Airflow	K	
4-6	<b>Nominal Gross Cooling Capacity</b>		
	3 Tons	036	
	4 Tons	048	
	5 Tons	060	
	6 Tons	072	
	7.5 Tons	090	
	8.5 Tons	102	
	10 Tons	120	
	12.5 Tons	150	
	15 Tons	180	
	17.5 Tons	210	
	20 Tons	240	
25 Tons	300		
7	<b>Major Design Sequence</b>		
	Current Design Sequence	☒	
8	<b>Voltage/Hz/Phase</b>		
	208-230/60/3	3	
	460/60/3	4	
	575/60/3	W	
9	<b>Unit Controls</b>		
	Symbio700	S	
10	<b>Heating Type</b>		
	Base Model	0	
	Stainless Steel Gas Heat	A	
	Modulating Gas Heat	B	
11	<b>Heating Capacity</b>		
	Cooling Only Models		
	No Heat	0	
	6kW Electric Heat	B	
	9kW Electric Heat	C	
	12kW Electric Heat	E	
	18kW Electric Heat	G	
	23 kW Electric Heat	J	
	27 kW Electric Heat	K	
	36 kW Electric Heat	N	
	54 kW Electric Heat	P	
	72 kW Electric Heat	R	
	Gas/Electric Models		
	Low Gas Heat	L	
	Medium Gas Heat	M	
	High Gas Heat	H	
	14	<b>Fresh Air Selections</b>	
		No Fresh Air	0
Manual Outside Air Damper 0-50%		A	
Motorized Outside Air Damper 0-50%		B	
Economizer, Dry Bulb 0-100% w/out Barometric Relief		C	
Economizer, Dry Bulb 0-100% with Barometric Relief		D	
Economizer, Reference Enthalpy 0-100% w/out Barometric Relief		E	
Economizer, Reference Enthalpy 0-100% with Barometric Relief		F	
Economizer, Comparative Enthalpy 0-100% w/out Barometric Relief		G	
Economizer, Comparative Enthalpy 0-100% with Barometric Relief		H	
Downflow Low Leak Economizer, Dry Bulb w/out Barometric Relief		J	
Downflow Low Leak Economizer, Dry Bulb with Barometric Relief		K	
Downflow Low Leak Economizer, Reference Enthalpy w/out Barometric Relief		L	
Downflow Low Leak Economizer, Reference Enthalpy, with Barometric Relief		M	
Downflow Low Leak Economizer, Comparative Enthalpy w/out Barometric Relief		N	
Downflow Low Leak Economizer, Comparative Enthalpy with Barometric Relief		P	
Downflow Low Leak Economizer, Differential Dry Bulb with Barometric Relief		R	

Digit	Description	Order Number
15	<b>Supply Fan/Drive Type/Motor</b>	
	Multi-Speed Standard Motor	0
	Optional High Static Motor	1
	Single Zone Variable Air Volume w/ Standard Motor	2
	Single Zone Variable Air Volume w/ Oversized/High Static Motor	3
	Multiple Zone Variable Air Volume w/ Standard Motor	4
	Multiple Zone Variable Air Volume w/ Oversized High Static Motor	5
16	<b>Hinged Access/Filters</b>	
	Standard Panels/Standard Filters	0
	Hinged Access Panels/Standard Filters	A
	Standard Panels/2 inch MERV 8 Filters	B
	Hinged Access Panels/2 inch MERV 8 Filters	C
17	<b>Condenser Coil Protection</b>	
	Standard Coil	0
	Condenser w/ CompleteCoat™	1
18	<b>Through the Base Provisions</b>	
	No Through the Base Provisions	0
	Through-the-Base Electric	A
	Through-the-Base Gas Piping	B
19	<b>Disconnect/Circuit Breaker (3-Phase Only)</b>	
	No Disconnect/No Circuit Breaker	0
	Unit Mounted/Non-Fused Disconnect	1
20	<b>Convenience Outlet</b>	
	No Convenience Outlet	0
	Powered 15A Convenience Outlet	B
21	<b>Communications Options</b>	
	No Communications Interface	0
	Advanced Controller w/ BACnet Communications Interface	1
	Advanced Controller w/ LonTalk Communications Interface	2
22	<b>Refrigerant Ssystem Option</b>	
	Standard Refrigerant System	0
	Humidity Control Option	A
	23	<b>Controls Expansion Module</b>
None		0
XM-30 Expansion Module		1
XM-32 Expansion Module		2
XM-30 and XM-32 Expansion Module		3
XM-30 Expansion Module (Qty 2)		4
24	<b>Smoke Detector</b>	
	No Smoke Detector	0
	Return Air Smoke Detector	A
	Supply Air Smoke Detector	B
25	<b>System Monitoring Controls</b>	
	No Monitoring Control	0
	Clogged Filter Switch	1
	Condensate Overflow Switch	2
	Discharge Air Sensing Tube	3
	Clogged Filter Switch and Condensate Overflow Switch	4
	Clogged Filter Switch and Discharge Air Sensing Tube	5
Condensate Overflow Switch and Discharge Air Sensing Tube	6	
26	<b>Not Used</b>	
		0
27	<b>Unit Hardware Enhancements</b>	
	No Enhancements	0
28	<b>Short Circuit Current Rating</b>	
	Standard (5k) SCCR Marking	0
29	<b>Low Ambient</b>	
	Low Ambient Cooling to 0 Degrees F	A

Note: Equipment feature availability is dependent on unit configuration. For more information, see Trane® Select Assist™ or contact product support.

\*\*Information is subject to change. Please confirm current product data within respective catalogs, IOMs or Trane Select Assist

For complete equipment / combination selections, installation instructions and warranty information, please refer to Product Data/Ratings and/or Installers Guides and Limited Warranty Handbooks.



# Precedent™ Packaged Rooftop Units: Gas/Electric with Symbio700™ 14 SEER, R-454B

**Table LPG-3-A – Precedent - Standard Efficiency - Symbio700™ Controls - R-454B**

Tons	Unit Ordering No.	Performance SEER ①②	AHRI Net Cooling Capacity (Btuh)	Dimensions (in.) H x W x L	Shipping Weights (lbs.)	MCA**	Max Fuse Size or Max Circuit Breaker**	Cabinet Size
<b>YSK - 208-230V/60Hz/3-Phase - Low Heat</b>								
3	YSK036A3S0L0000	17.1/16.4	38000	46 <sup>7</sup> / <sub>8</sub> x 44 <sup>1</sup> / <sub>4</sub> x 69 <sup>7</sup> / <sub>8</sub>	728	22	30	A
4	YSK048A3S0L0000	17.1/16.4	49000	46 <sup>7</sup> / <sub>8</sub> x 44 <sup>1</sup> / <sub>4</sub> x 69 <sup>7</sup> / <sub>8</sub>	923	28	40	B
5	YSK060A3S0L0000	17.1/16.4	61000	46 <sup>7</sup> / <sub>8</sub> x 44 <sup>1</sup> / <sub>4</sub> x 69 <sup>7</sup> / <sub>8</sub>	951	31	45	B
6	YSK072A3S0L0000	17.2	78000	50 <sup>7</sup> / <sub>8</sub> x 53 <sup>1</sup> / <sub>4</sub> x 88 <sup>1</sup> / <sub>8</sub>	937	38	50	B
7.5	YSK090A3S0L0000	17.2	90000	50 <sup>7</sup> / <sub>8</sub> x 53 <sup>1</sup> / <sub>4</sub> x 88 <sup>1</sup> / <sub>8</sub>	1064	43	50	B
8.5	YSK102A3S0L0000	16.3	106000	50 <sup>7</sup> / <sub>8</sub> x 53 <sup>1</sup> / <sub>4</sub> x 88 <sup>1</sup> / <sub>8</sub>	1090	53	70	B
10	YSK120A3S0L0000	15.8	120000	50 <sup>7</sup> / <sub>8</sub> x 53 <sup>1</sup> / <sub>4</sub> x 88 <sup>1</sup> / <sub>8</sub>	1115	60	80	B
12.5	YSK150A3S0L0000	17.9	150000	59 x 87 x 123	2000	74	90	D
15	YSK180A3S0L0000	18.0	180000	59 x 87 x 123	2220	79	110	D
17.5	YSK210A3S0L0000	16.5	210000	59 x 87 x 123	2250	95	125	D
20	YSK240A3S0L0000	15.8	242000	59 x 87 x 123	2320	108	150	D
25	YSK300A3S0L0000	15.5	272000	59 x 87 x 123	2370	118	150	D
<b>YSK - 208-230V/60Hz/3-Phase - Medium Heat</b>								
3	YSK036A3S0M0000	14.0/13.4	37000	46 <sup>7</sup> / <sub>8</sub> x 44 <sup>1</sup> / <sub>4</sub> x 69 <sup>7</sup> / <sub>8</sub>	728	23	30	A
4	YSK048A3S0M0000	14.0/13.4	48500	46 <sup>7</sup> / <sub>8</sub> x 44 <sup>1</sup> / <sub>4</sub> x 69 <sup>7</sup> / <sub>8</sub>	748	27	40	A
5	YSK060A3S0M0000	14.0/13.4	59500	46 <sup>7</sup> / <sub>8</sub> x 44 <sup>1</sup> / <sub>4</sub> x 69 <sup>7</sup> / <sub>8</sub>	768	29	45	A
6	YSK072A3S0M0000	14.6	78000	50 <sup>7</sup> / <sub>8</sub> x 53 <sup>1</sup> / <sub>4</sub> x 88 <sup>1</sup> / <sub>8</sub>	1031	38	50	B
7.5	YSK090A3S0M0000	14.6	90000	50 <sup>7</sup> / <sub>8</sub> x 53 <sup>1</sup> / <sub>4</sub> x 88 <sup>1</sup> / <sub>8</sub>	1060	43	50	B
8.5	YSK102A3S0M0000	14.6	106000	50 <sup>7</sup> / <sub>8</sub> x 53 <sup>1</sup> / <sub>4</sub> x 88 <sup>1</sup> / <sub>8</sub>	1096	53	70	B
10	YSK120A3S0M0000	14.6	119000	50 <sup>7</sup> / <sub>8</sub> x 53 <sup>1</sup> / <sub>4</sub> x 88 <sup>1</sup> / <sub>8</sub>	1115	57	80	B
12.5	YSK150A3S0M0000	14.0	140000	50 <sup>7</sup> / <sub>8</sub> x 63 <sup>1</sup> / <sub>8</sub> x 99 <sup>5</sup> / <sub>8</sub>	1412	67	90	C
15	YSK180A3S0M0000	14.0	180000	59 x 87 x 123	2220	79	110	D
17.5	YSK210A3S0M0000	14.0	210000	59 x 87 x 123	2250	95	125	D
20	YSK240A3S0M0000	13.0	242000	59 x 87 x 123	2320	108	150	D
25	YSK300A3S0M0000	13.0	274000	59 x 87 x 123	2370	118	150	D
<b>YSK - 208-230V/60Hz/3-Phase - High Heat</b>								
3	YSK036A3S0H0000	14.0/13.4	37000	46 <sup>7</sup> / <sub>8</sub> x 44 <sup>1</sup> / <sub>4</sub> x 69 <sup>7</sup> / <sub>8</sub>	728	23	30	A
4	YSK048A3S0H0000	14.0/13.4	48500	46 <sup>7</sup> / <sub>8</sub> x 44 <sup>1</sup> / <sub>4</sub> x 69 <sup>7</sup> / <sub>8</sub>	748	27	40	A
5	YSK060A3S0H0000	14.0/13.4	59500	46 <sup>7</sup> / <sub>8</sub> x 44 <sup>1</sup> / <sub>4</sub> x 69 <sup>7</sup> / <sub>8</sub>	768	29	45	A
6	YSK072A3S0H0000	14.6	78000	50 <sup>7</sup> / <sub>8</sub> x 53 <sup>1</sup> / <sub>4</sub> x 88 <sup>1</sup> / <sub>8</sub>	1031	38	50	B
7.5	YSK090A3S0H0000	14.6	90000	50 <sup>7</sup> / <sub>8</sub> x 53 <sup>1</sup> / <sub>4</sub> x 88 <sup>1</sup> / <sub>8</sub>	1060	43	50	B
8.5	YSK102A3S0H0000	14.6	106000	50 <sup>7</sup> / <sub>8</sub> x 53 <sup>1</sup> / <sub>4</sub> x 88 <sup>1</sup> / <sub>8</sub>	1096	53	70	B
10	YSK120A3S0H0000	14.6	119000	50 <sup>7</sup> / <sub>8</sub> x 53 <sup>1</sup> / <sub>4</sub> x 88 <sup>1</sup> / <sub>8</sub>	1115	57	80	B
12.5	YSK150A3S0H0000	14.0	140000	50 <sup>7</sup> / <sub>8</sub> x 63 <sup>1</sup> / <sub>8</sub> x 99 <sup>5</sup> / <sub>8</sub>	1412	67	90	C
15	YSK180A3S0H0000	14.0	180000	59 x 87 x 123	2220	79	110	D
17.5	YSK210A3S0H0000	14.0	210000	59 x 87 x 123	2250	95	125	D
20	YSK240A3S0H0000	13.0	242000	59 x 87 x 123	2320	108	150	D
25	YSK300A3S0H0000	13.0	274000	59 x 87 x 123	2370	118	150	D

① SEER shown for 3-5 ton units only. The 3 to 5 ton EER and SEER are rated at AHRI conditions and calculated in accordance with AHRI standard 210/240-2017. Airflow and net cooling capacity not shown.

② SEER2 shown for 3 to 5 ton units only. ERR2 and SEER2 are rated at AHRI conditions and certified in accordance with AHRI Standard 210/240-2023 0000 Models are "base stock" configurations and will include hail guards and multi-speed motors as standard

\*\* Information is subject to change. Please confirm current product data within respective catalogs, IOMs or Trane Select Assist



It's Hard To Stop A Trane.®

# Precedent™ Packaged Rooftop Units: Gas/Electric with Symbio700™ 14 SEER, R-454B

Table LPG-4-A — Precedent - Standard Efficiency - Symbio700™ Controls - R-454B

Tons	Unit Ordering No.	Performance SEER ①②	AHRI Net Cooling Capacity (Btuh)	Dimensions (in.) H x W x L	Shipping Weights (lbs.)	MCA**	Max Fuse Size or Max Circuit Breaker**	Cabinet Size
<b>YSK - 460V/60Hz/3-Phase - Low Heat</b>								
3	YSK036A4S0L0000	14.0/13.4	37000	46 <sup>7</sup> / <sub>8</sub> x 44 <sup>1</sup> / <sub>4</sub> x 69 <sup>7</sup> / <sub>8</sub>	728	10	15	A
4	YSK048A4S0L0000	14.0/13.4	48500	46 <sup>7</sup> / <sub>8</sub> x 44 <sup>1</sup> / <sub>4</sub> x 69 <sup>7</sup> / <sub>8</sub>	748	12	15	A
5	YSK060A4S0L0000	14.0/13.4	59500	46 <sup>7</sup> / <sub>8</sub> x 44 <sup>1</sup> / <sub>4</sub> x 69 <sup>7</sup> / <sub>8</sub>	768	14	20	A
6	YSK072A4S0L0000	14.6	78000	50 <sup>7</sup> / <sub>8</sub> x 53 <sup>1</sup> / <sub>4</sub> x 88 <sup>1</sup> / <sub>8</sub>	1031	20	25	B
7.5	YSK090A4S0L0000	14.6	90000	50 <sup>7</sup> / <sub>8</sub> x 53 <sup>1</sup> / <sub>4</sub> x 88 <sup>1</sup> / <sub>8</sub>	1060	22	25	B
8.5	YSK102A4S0L0000	14.6	106000	50 <sup>7</sup> / <sub>8</sub> x 53 <sup>1</sup> / <sub>4</sub> x 88 <sup>1</sup> / <sub>8</sub>	1096	26	35	B
10	YSK120A4S0L0000	14.6	119000	50 <sup>7</sup> / <sub>8</sub> x 53 <sup>1</sup> / <sub>4</sub> x 88 <sup>1</sup> / <sub>8</sub>	1115	30	40	B
12.5	YSK150A4S0L0000	14.0	140000	50 <sup>7</sup> / <sub>8</sub> x 63 <sup>1</sup> / <sub>8</sub> x 99 <sup>5</sup> / <sub>8</sub>	1412	33	45	C
15	YSK180A4S0L0000	14.0	180000	59 x 87 x 123	2220	40	50	D
17.5	YSK210A4S0L0000	14.0	210000	59 x 87 x 123	2250	47	60	D
20	YSK240A4S0L0000	13.0	242000	59 x 87 x 123	2320	55	70	D
25	YSK300A4S0L0000	13.0	274000	59 x 87 x 123	2370	59	80	D
<b>YSK - 460V/60Hz/3-Phase - Medium Heat</b>								
3	YSK036A4S0M0000	14.0/13.4	37000	46 <sup>7</sup> / <sub>8</sub> x 44 <sup>1</sup> / <sub>4</sub> x 69 <sup>7</sup> / <sub>8</sub>	728	10	15	A
4	YSK048A4S0M0000	14.0/13.4	48500	46 <sup>7</sup> / <sub>8</sub> x 44 <sup>1</sup> / <sub>4</sub> x 69 <sup>7</sup> / <sub>8</sub>	748	12	15	A
5	YSK060A4S0M0000	14.0/13.4	59500	46 <sup>7</sup> / <sub>8</sub> x 44 <sup>1</sup> / <sub>4</sub> x 69 <sup>7</sup> / <sub>8</sub>	768	14	20	A
6	YSK072A4S0M0000	14.6	78000	50 <sup>7</sup> / <sub>8</sub> x 53 <sup>1</sup> / <sub>4</sub> x 88 <sup>1</sup> / <sub>8</sub>	1031	20	25	B
7.5	YSK090A4S0M0000	14.6	90000	50 <sup>7</sup> / <sub>8</sub> x 53 <sup>1</sup> / <sub>4</sub> x 88 <sup>1</sup> / <sub>8</sub>	1060	22	25	B
8.5	YSK102A4S0M0000	14.6	106000	50 <sup>7</sup> / <sub>8</sub> x 53 <sup>1</sup> / <sub>4</sub> x 88 <sup>1</sup> / <sub>8</sub>	1096	26	35	B
10	YSK120A4S0M0000	14.6	119000	50 <sup>7</sup> / <sub>8</sub> x 53 <sup>1</sup> / <sub>4</sub> x 88 <sup>1</sup> / <sub>8</sub>	1115	30	40	B
12.5	YSK150A4S0M0000	14.0	140000	50 <sup>7</sup> / <sub>8</sub> x 63 <sup>1</sup> / <sub>8</sub> x 99 <sup>5</sup> / <sub>8</sub>	1412	33	45	C
15	YSK180A4S0M0000	14.0	180000	59 x 87 x 123	2220	40	50	D
17.5	YSK210A4S0M0000	14.0	210000	59 x 87 x 123	2250	47	60	D
20	YSK240A4S0M0000	13.0	242000	59 x 87 x 123	2320	55	70	D
25	YSK300A4S0M0000	13.0	274000	59 x 87 x 123	2370	59	80	D
<b>YSK - 460V/60Hz/3-Phase - High Heat</b>								
3	YSK036A4S0H0000	14.0/13.4	37000	46 <sup>7</sup> / <sub>8</sub> x 44 <sup>1</sup> / <sub>4</sub> x 69 <sup>7</sup> / <sub>8</sub>	728	10	15	A
4	YSK048A4S0H0000	14.0/13.4	48500	46 <sup>7</sup> / <sub>8</sub> x 44 <sup>1</sup> / <sub>4</sub> x 69 <sup>7</sup> / <sub>8</sub>	748	12	15	A
5	YSK060A4S0H0000	14.0/13.4	59500	46 <sup>7</sup> / <sub>8</sub> x 44 <sup>1</sup> / <sub>4</sub> x 69 <sup>7</sup> / <sub>8</sub>	768	14	20	A
6	YSK072A4S0H0000	14.6	78000	50 <sup>7</sup> / <sub>8</sub> x 53 <sup>1</sup> / <sub>4</sub> x 88 <sup>1</sup> / <sub>8</sub>	1031	20	25	B
7.5	YSK090A4S0H0000	14.6	90000	50 <sup>7</sup> / <sub>8</sub> x 53 <sup>1</sup> / <sub>4</sub> x 88 <sup>1</sup> / <sub>8</sub>	1060	22	25	B
8.5	YSK102A4S0H0000	14.6	106000	50 <sup>7</sup> / <sub>8</sub> x 53 <sup>1</sup> / <sub>4</sub> x 88 <sup>1</sup> / <sub>8</sub>	1096	26	35	B
10	YSK120A4S0H0000	14.6	119000	50 <sup>7</sup> / <sub>8</sub> x 53 <sup>1</sup> / <sub>4</sub> x 88 <sup>1</sup> / <sub>8</sub>	1115	30	40	B
12.5	YSK150A4S0H0000	14.0	140000	50 <sup>7</sup> / <sub>8</sub> x 63 <sup>1</sup> / <sub>8</sub> x 99 <sup>5</sup> / <sub>8</sub>	1412	33	45	C
15	YSK180A4S0H0000	14.0	180000	59 x 87 x 123	2220	40	50	D
17.5	YSK210A4S0H0000	14.0	210000	59 x 87 x 123	2250	47	60	D
20	YSK240A4S0H0000	13.0	242000	59 x 87 x 123	2320	55	70	D
25	YSK300A4S0H0000	13.0	274000	59 x 87 x 123	2370	59	80	D

① SEER shown for 3-5 ton units only. The 3 to 5 ton EER and SEER are rated at AHRI conditions and calculated in accordance with AHRI standard 210/240-2017. Airflow and net cooling capacity not shown.

② SEER2 shown for 3 to 5 ton units only. ERR2 and SEER2 are rated at AHRI conditions and certified in accordance with AHRI Standard 210/240-2023 0000 Models are "base stock" configurations and will include hail guards and multi-speed motors as standard

\*\* Information is subject to change. Please confirm current product data within respective catalogs, IOMs or Trane Select Assist



# Precedent™ Packaged Rooftop Units: Gas/Electric with Symbio700™ 14 SEER, R-454B

**Table LPG-5-A – Precedent - Standard Efficiency - Symbio700™ Controls - R-454B**

Tons	Unit Ordering No.	Performance SEER ①②	AHRI Net Cooling Capacity (Btuh)	Dimensions (in.) H x W x L	Shipping Weights (lbs.)	MCA**	Max Fuse Size or Max Circuit Breaker**	Cabinet Size
<b>YSK - 575V/60Hz/3-Phase - Low Heat</b>								
3	YSK036AWS0L0000	14.0/13.4	37000	46 <sup>7</sup> / <sub>8</sub> x 44 <sup>1</sup> / <sub>4</sub> x 69 <sup>7</sup> / <sub>8</sub>	728	10	15	A
4	YSK048AWS0L0000	14.0/13.4	48500	46 <sup>7</sup> / <sub>8</sub> x 44 <sup>1</sup> / <sub>4</sub> x 69 <sup>7</sup> / <sub>8</sub>	748	12	15	A
5	YSK060AWS0L0000	14.0/13.4	59500	46 <sup>7</sup> / <sub>8</sub> x 44 <sup>1</sup> / <sub>4</sub> x 69 <sup>7</sup> / <sub>8</sub>	768	13	20	A
6	YSK072AWS0L0000	14.6	78000	50 <sup>7</sup> / <sub>8</sub> x 53 <sup>1</sup> / <sub>4</sub> x 88 <sup>1</sup> / <sub>8</sub>	1031	17	20	B
7.5	YSK090AWS0L0000	14.6	90000	50 <sup>7</sup> / <sub>8</sub> x 53 <sup>1</sup> / <sub>4</sub> x 88 <sup>1</sup> / <sub>8</sub>	1060	19	25	B
8.5	YSK102AWS0L0000	14.6	106000	50 <sup>7</sup> / <sub>8</sub> x 53 <sup>1</sup> / <sub>4</sub> x 88 <sup>1</sup> / <sub>8</sub>	1096	21	25	B
10	YSK120AWS0L0000	14.6	119000	50 <sup>7</sup> / <sub>8</sub> x 53 <sup>1</sup> / <sub>4</sub> x 88 <sup>1</sup> / <sub>8</sub>	1115	24	30	B
12.5	YSK150AWS0L0000	14.0	140000	50 <sup>7</sup> / <sub>8</sub> x 63 <sup>1</sup> / <sub>8</sub> x 99 <sup>5</sup> / <sub>8</sub>	1412	26	35	C
15	YSK180AWS0L0000	14.0	180000	59 x 87 x 123	2220	32	40	D
17.5	YSK210AWS0L0000	14.0	210000	59 x 87 x 123	2250	38	50	D
20	YSK240AWS0L0000	13.0	242000	59 x 87 x 123	2320	40	50	D
25	YSK300AWS0L0000	13.0	274000	59 x 87 x 123	2370	42	50	D
<b>YSK - 575V/60Hz/3-Phase - Medium Heat</b>								
3	YSK036AWS0M0000	14.0/13.4	37000	46 <sup>7</sup> / <sub>8</sub> x 44 <sup>1</sup> / <sub>4</sub> x 69 <sup>7</sup> / <sub>8</sub>	728	10	15	A
4	YSK048AWS0M0000	14.0/13.4	48500	46 <sup>7</sup> / <sub>8</sub> x 44 <sup>1</sup> / <sub>4</sub> x 69 <sup>7</sup> / <sub>8</sub>	748	12	15	A
5	YSK060AWS0M0000	14.0/13.4	59500	46 <sup>7</sup> / <sub>8</sub> x 44 <sup>1</sup> / <sub>4</sub> x 69 <sup>7</sup> / <sub>8</sub>	768	13	20	A
6	YSK072AWS0M0000	14.6	78000	50 <sup>7</sup> / <sub>8</sub> x 53 <sup>1</sup> / <sub>4</sub> x 88 <sup>1</sup> / <sub>8</sub>	1031	17	20	B
7.5	YSK090AWS0M0000	14.6	90000	50 <sup>7</sup> / <sub>8</sub> x 53 <sup>1</sup> / <sub>4</sub> x 88 <sup>1</sup> / <sub>8</sub>	1060	19	25	B
8.5	YSK102AWS0M0000	14.6	106000	50 <sup>7</sup> / <sub>8</sub> x 53 <sup>1</sup> / <sub>4</sub> x 88 <sup>1</sup> / <sub>8</sub>	1096	21	25	B
10	YSK120AWS0M0000	14.6	119000	50 <sup>7</sup> / <sub>8</sub> x 53 <sup>1</sup> / <sub>4</sub> x 88 <sup>1</sup> / <sub>8</sub>	1115	24	30	B
12.5	YSK150AWS0M0000	14.0	140000	50 <sup>7</sup> / <sub>8</sub> x 63 <sup>1</sup> / <sub>8</sub> x 99 <sup>5</sup> / <sub>8</sub>	1412	26	35	C
15	YSK180AWS0M0000	14.0	180000	59 x 87 x 123	2220	32	40	D
17.5	YSK210AWS0M0000	14.0	210000	59 x 87 x 123	2250	38	50	D
20	YSK240AWS0M0000	13.0	242000	59 x 87 x 123	2320	40	50	D
25	YSK300AWS0M0000	13.0	274000	59 x 87 x 123	2370	42	50	D
<b>YSK - 575V/60Hz/3-Phase - High Heat</b>								
3	YSK036AWS0H0000	14.0/13.4	37000	46 <sup>7</sup> / <sub>8</sub> x 44 <sup>1</sup> / <sub>4</sub> x 69 <sup>7</sup> / <sub>8</sub>	728	10	15	A
4	YSK048AWS0H0000	14.0/13.4	48500	46 <sup>7</sup> / <sub>8</sub> x 44 <sup>1</sup> / <sub>4</sub> x 69 <sup>7</sup> / <sub>8</sub>	748	12	15	A
5	YSK060AWS0H0000	14.0/13.4	59500	46 <sup>7</sup> / <sub>8</sub> x 44 <sup>1</sup> / <sub>4</sub> x 69 <sup>7</sup> / <sub>8</sub>	768	13	20	A
6	YSK072AWS0H0000	14.6	78000	50 <sup>7</sup> / <sub>8</sub> x 53 <sup>1</sup> / <sub>4</sub> x 88 <sup>1</sup> / <sub>8</sub>	1031	17	20	B
7.5	YSK090AWS0H0000	14.6	90000	50 <sup>7</sup> / <sub>8</sub> x 53 <sup>1</sup> / <sub>4</sub> x 88 <sup>1</sup> / <sub>8</sub>	1060	19	25	B
8.5	YSK102AWS0H0000	14.6	106000	50 <sup>7</sup> / <sub>8</sub> x 53 <sup>1</sup> / <sub>4</sub> x 88 <sup>1</sup> / <sub>8</sub>	1096	21	25	B
10	YSK120AWS0H0000	14.6	119000	50 <sup>7</sup> / <sub>8</sub> x 53 <sup>1</sup> / <sub>4</sub> x 88 <sup>1</sup> / <sub>8</sub>	1115	24	30	B
12.5	YSK150AWS0H0000	14.0	140000	50 <sup>7</sup> / <sub>8</sub> x 63 <sup>1</sup> / <sub>8</sub> x 99 <sup>5</sup> / <sub>8</sub>	1412	26	35	C
15	YSK180AWS0H0000	14.0	180000	59 x 87 x 123	2220	32	40	D
17.5	YSK210AWS0H0000	14.0	210000	59 x 87 x 123	2250	38	50	D
20	YSK240AWS0H0000	13.0	242000	59 x 87 x 123	2320	40	50	D
25	YSK300AWS0H0000	13.0	274000	59 x 87 x 123	2370	42	50	D

① SEER shown for 3-5 ton units only. The 3 to 5 ton EER and SEER are rated at AHRI conditions and calculated in accordance with AHRI standard 210/240-2017. Airflow and net cooling capacity not shown.

② SEER2 shown for 3 to 5 ton units only. ERR2 and SEER2 are rated at AHRI conditions and certified in accordance with AHRI Standard 210/240-2023 0000 Models are "base stock" configurations and will include hail guards and multi-speed motors as standard

\*\* Information is subject to change. Please confirm current product data within respective catalogs, IOMs or Trane Select Assist



It's Hard To Stop A Trane.®

# Precedent™ Packaged Rooftop Units: Gas/Electric with Symbio700™ 17 SEER, R-454B

Table LPG-6-A — Precedent - High Efficiency - Symbio700™ Controls - R-454B

Tons	Unit Ordering No.	Performance SEER ①②	AHRI Net Cooling Capacity (Btuh)	Dimensions (in.) H x W x L	Shipping Weights (lbs.)	MCA**	Max Fuse Size or Max Circuit Breaker**	Cabinet Size
<b>YHK - 208-230V/60Hz/3-Phase - Low Heat</b>								
3	YHK036A3S0L0000	17.1/16.4	38000	46 <sup>7</sup> / <sub>8</sub> x 44 <sup>1</sup> / <sub>4</sub> x 69 <sup>7</sup> / <sub>8</sub>	728	22	30	A
4	YHK048A3S0L0000	17.1/16.4	49000	50 <sup>7</sup> / <sub>8</sub> x 53 <sup>1</sup> / <sub>4</sub> x 88 <sup>1</sup> / <sub>6</sub>	923	28	40	B
5	YHK060A3S0L0000	17.1/16.4	61000	50 <sup>7</sup> / <sub>8</sub> x 53 <sup>1</sup> / <sub>4</sub> x 88 <sup>1</sup> / <sub>7</sub>	951	31	45	B
6	YHK072A3S0L0000	17.2	78000	50 <sup>7</sup> / <sub>8</sub> x 53 <sup>1</sup> / <sub>4</sub> x 88 <sup>1</sup> / <sub>8</sub>	1035	38	50	B
7.5	YHK090A3S0L0000	17.2	90000	50 <sup>7</sup> / <sub>8</sub> x 53 <sup>1</sup> / <sub>4</sub> x 88 <sup>1</sup> / <sub>8</sub>	1064	43	50	B
8.5	YHK102A3S0L0000	16.3	106000	50 <sup>7</sup> / <sub>8</sub> x 53 <sup>1</sup> / <sub>4</sub> x 88 <sup>1</sup> / <sub>8</sub>	1096	53	70	B
10	YHK120A3S0L0000	15.8	120000	50 <sup>7</sup> / <sub>8</sub> x 53 <sup>1</sup> / <sub>4</sub> x 88 <sup>1</sup> / <sub>8</sub>	1115	60	80	B
12.5	YHK150A3S0L0000	17.9	150000	59 x 87 x 123	2220	74	100	D
15	YHK180A3S0L0000	18.0	180000	59 x 87 x 123	2220	79	110	D
17.5	YHK210A3S0L0000	16.5	210000	59 x 87 x 123	2250	95	125	D
20	YHK240A3S0L0000	15.8	242000	59 x 87 x 123	2320	108	150	D
25	YHK300A3S0L0000	15.5	272000	59 x 87 x 123	2370	118	150	D
<b>YHK - 208-230V/60Hz/3-Phase - Medium Heat</b>								
3	YHK036A3S0M0000	17.1/16.4	38000	46 <sup>7</sup> / <sub>8</sub> x 44 <sup>1</sup> / <sub>4</sub> x 69 <sup>7</sup> / <sub>8</sub>	728	22	30	A
4	YHK048A3S0M0000	17.1/16.4	49000	50 <sup>7</sup> / <sub>8</sub> x 53 <sup>1</sup> / <sub>4</sub> x 88 <sup>1</sup> / <sub>6</sub>	923	28	40	B
5	YHK060A3S0M0000	17.1/16.4	61000	50 <sup>7</sup> / <sub>8</sub> x 53 <sup>1</sup> / <sub>4</sub> x 88 <sup>1</sup> / <sub>7</sub>	951	31	45	B
6	YHK072A3S0M0000	17.2	78000	50 <sup>7</sup> / <sub>8</sub> x 53 <sup>1</sup> / <sub>4</sub> x 88 <sup>1</sup> / <sub>8</sub>	1035	38	50	B
7.5	YHK090A3S0M0000	17.2	90000	50 <sup>7</sup> / <sub>8</sub> x 53 <sup>1</sup> / <sub>4</sub> x 88 <sup>1</sup> / <sub>8</sub>	1064	43	50	B
8.5	YHK102A3S0M0000	16.3	106000	50 <sup>7</sup> / <sub>8</sub> x 53 <sup>1</sup> / <sub>4</sub> x 88 <sup>1</sup> / <sub>8</sub>	1096	53	70	B
10	YHK120A3S0M0000	15.8	120000	50 <sup>7</sup> / <sub>8</sub> x 53 <sup>1</sup> / <sub>4</sub> x 88 <sup>1</sup> / <sub>8</sub>	1115	60	80	B
12.5	YHK150A3S0M0000	17.9	150000	59 x 87 x 123	2220	74	100	D
15	YHK180A3S0M0000	18.0	180000	59 x 87 x 123	2220	79	110	D
17.5	YHK210A3S0M0000	16.5	210000	59 x 87 x 123	2250	95	125	D
20	YHK240A3S0M0000	15.8	242000	59 x 87 x 123	2320	108	150	D
25	YHK300A3S0M0000	15.5	272000	59 x 87 x 123	2370	118	150	D
<b>YHK - 208-230V/60Hz/3-Phase - High Heat</b>								
3	YHK036A3S0H0000	17.1/16.4	38000	46 <sup>7</sup> / <sub>8</sub> x 44 <sup>1</sup> / <sub>4</sub> x 69 <sup>7</sup> / <sub>8</sub>	728	22	30	A
4	YHK048A3S0H0000	17.1/16.4	49000	50 <sup>7</sup> / <sub>8</sub> x 53 <sup>1</sup> / <sub>4</sub> x 88 <sup>1</sup> / <sub>6</sub>	923	28	40	B
5	YHK060A3S0H0000	17.1/16.4	61000	50 <sup>7</sup> / <sub>8</sub> x 53 <sup>1</sup> / <sub>4</sub> x 88 <sup>1</sup> / <sub>7</sub>	951	31	45	B
6	YHK072A3S0H0000	17.2	78000	50 <sup>7</sup> / <sub>8</sub> x 53 <sup>1</sup> / <sub>4</sub> x 88 <sup>1</sup> / <sub>8</sub>	1035	38	50	B
7.5	YHK090A3S0H0000	17.2	90000	50 <sup>7</sup> / <sub>8</sub> x 53 <sup>1</sup> / <sub>4</sub> x 88 <sup>1</sup> / <sub>8</sub>	1064	43	50	B
8.5	YHK102A3S0H0000	16.3	106000	50 <sup>7</sup> / <sub>8</sub> x 53 <sup>1</sup> / <sub>4</sub> x 88 <sup>1</sup> / <sub>8</sub>	1096	53	70	B
10	YHK120A3S0H0000	15.8	120000	50 <sup>7</sup> / <sub>8</sub> x 53 <sup>1</sup> / <sub>4</sub> x 88 <sup>1</sup> / <sub>8</sub>	1115	60	80	B
12.5	YHK150A3S0H0000	17.9	150000	59 x 87 x 123	2220	74	100	D
15	YHK180A3S0H0000	18.0	180000	59 x 87 x 123	2220	79	110	D
17.5	YHK210A3S0H0000	16.5	210000	59 x 87 x 123	2250	95	125	D
20	YHK240A3S0H0000	15.8	242000	59 x 87 x 123	2320	108	150	D
25	YHK300A3S0H0000	15.5	272000	59 x 87 x 123	2370	118	150	D

① SEER shown for 3-5 ton units only. The 3 to 5 ton EER and SEER are rated at AHRI conditions and calculated in accordance with AHRI standard 210/240-2017. Airflow and net cooling capacity not shown.

② SEER2 shown for 3 to 5 ton units only. ERR2 and SEER2 are rated at AHRI conditions and certified in accordance with AHRI Standard 210/240-2023 0000 Models are "base stock" configurations and will include hail guards and multi-speed motors as standard

\*\* Information is subject to change. Please confirm current product data within respective catalogs, IOMs or Trane Select Assist



# Precedent™ Packaged Rooftop Units: Gas/Electric with Symbio700™ 17 SEER, R-454B

**Table LPG-7-A – Precedent - High Efficiency - Symbio700™ Controls - R-454B**

Tons	Unit Ordering No.	Performance SEER ①②	AHRI Net Cooling Capacity (Btuh)	Dimensions (in.) H x W x L	Shipping Weights (lbs.)	MCA**	Max Fuse Size or Max Circuit Breaker**	Cabinet Size
<b>YHK - 460V/60Hz/3-Phase - Low Heat+A291:C329</b>								
3	YHK036A4S0L0000	17.1/16.4	38000	46 <sup>7</sup> / <sub>8</sub> x 44 <sup>1</sup> / <sub>4</sub> x 69 <sup>7</sup> / <sub>8</sub>	728	11	15	A
4	YHK048A4S0L0000	17.1/16.4	49000	50 <sup>7</sup> / <sub>8</sub> x 53 <sup>1</sup> / <sub>4</sub> x 88 <sup>1</sup> / <sub>6</sub>	923	16	20	B
5	YHK060A4S0L0000	17.1/16.4	61000	50 <sup>7</sup> / <sub>8</sub> x 53 <sup>1</sup> / <sub>4</sub> x 88 <sup>1</sup> / <sub>7</sub>	951	16	20	B
6	YHK072A4S0L0000	17.2	78000	50 <sup>7</sup> / <sub>8</sub> x 53 <sup>1</sup> / <sub>4</sub> x 88 <sup>1</sup> / <sub>8</sub>	1035	20	25	B
7.5	YHK090A4S0L0000	17.2	90000	50 <sup>7</sup> / <sub>8</sub> x 53 <sup>1</sup> / <sub>4</sub> x 88 <sup>1</sup> / <sub>8</sub>	1064	22	25	B
8.5	YHK102A4S0L0000	16.3	106000	50 <sup>7</sup> / <sub>8</sub> x 53 <sup>1</sup> / <sub>4</sub> x 88 <sup>1</sup> / <sub>8</sub>	1096	26	35	B
10	YHK120A4S0L0000	15.8	120000	50 <sup>7</sup> / <sub>8</sub> x 53 <sup>1</sup> / <sub>4</sub> x 88 <sup>1</sup> / <sub>8</sub>	1115	31	40	B
12.5	YHK150A4S0L0000	17.9	150000	59 x 87 x 123	2220	37	50	D
15	YHK180A4S0L0000	18.0	180000	59 x 87 x 123	2220	40	50	D
17.5	YHK210A4S0L0000	16.5	210000	59 x 87 x 123	2250	47	60	D
20	YHK240A4S0L0000	15.8	242000	59 x 87 x 123	2320	55	70	D
25	YHK300A4S0L0000	15.5	272000	59 x 87 x 123	2370	59	80	D
<b>YHK - 460V/60Hz/3-Phase - Medium Heat</b>								
3	YHK036A4S0M0000	17.1/16.4	38000	46 <sup>7</sup> / <sub>8</sub> x 44 <sup>1</sup> / <sub>4</sub> x 69 <sup>7</sup> / <sub>8</sub>	728	11	15	A
4	YHK048A4S0M0000	17.1/16.4	49000	50 <sup>7</sup> / <sub>8</sub> x 53 <sup>1</sup> / <sub>4</sub> x 88 <sup>1</sup> / <sub>6</sub>	923	16	20	B
5	YHK060A4S0M0000	17.1/16.4	61000	50 <sup>7</sup> / <sub>8</sub> x 53 <sup>1</sup> / <sub>4</sub> x 88 <sup>1</sup> / <sub>7</sub>	951	16	20	B
6	YHK072A4S0M0000	17.2	78000	50 <sup>7</sup> / <sub>8</sub> x 53 <sup>1</sup> / <sub>4</sub> x 88 <sup>1</sup> / <sub>8</sub>	1035	20	25	B
7.5	YHK090A4S0M0000	17.2	90000	50 <sup>7</sup> / <sub>8</sub> x 53 <sup>1</sup> / <sub>4</sub> x 88 <sup>1</sup> / <sub>8</sub>	1064	22	25	B
8.5	YHK102A4S0M0000	16.3	106000	50 <sup>7</sup> / <sub>8</sub> x 53 <sup>1</sup> / <sub>4</sub> x 88 <sup>1</sup> / <sub>8</sub>	1096	26	35	B
10	YHK120A4S0M0000	15.8	120000	50 <sup>7</sup> / <sub>8</sub> x 53 <sup>1</sup> / <sub>4</sub> x 88 <sup>1</sup> / <sub>8</sub>	1115	31	40	B
12.5	YHK150A4S0M0000	17.9	150000	59 x 87 x 123	2220	37	50	D
15	YHK180A4S0M0000	18.0	180000	59 x 87 x 123	2220	40	50	D
17.5	YHK210A4S0M0000	16.5	210000	59 x 87 x 123	2250	47	60	D
20	YHK240A4S0M0000	15.8	242000	59 x 87 x 123	2320	55	70	D
25	YHK300A4S0M0000	15.5	272000	59 x 87 x 123	2370	59	80	D
<b>YHK - 460V/60Hz/3-Phase - High Heat</b>								
3	YHK036A4S0H0000	17.1/16.4	38000	46 <sup>7</sup> / <sub>8</sub> x 44 <sup>1</sup> / <sub>4</sub> x 69 <sup>7</sup> / <sub>8</sub>	728	11	15	A
4	YHK048A4S0H0000	17.1/16.4	49000	50 <sup>7</sup> / <sub>8</sub> x 53 <sup>1</sup> / <sub>4</sub> x 88 <sup>1</sup> / <sub>6</sub>	923	16	20	B
5	YHK060A4S0H0000	17.1/16.4	61000	50 <sup>7</sup> / <sub>8</sub> x 53 <sup>1</sup> / <sub>4</sub> x 88 <sup>1</sup> / <sub>7</sub>	951	16	20	B
6	YHK072A4S0H0000	17.2	78000	50 <sup>7</sup> / <sub>8</sub> x 53 <sup>1</sup> / <sub>4</sub> x 88 <sup>1</sup> / <sub>8</sub>	1035	20	25	B
7.5	YHK090A4S0H0000	17.2	90000	50 <sup>7</sup> / <sub>8</sub> x 53 <sup>1</sup> / <sub>4</sub> x 88 <sup>1</sup> / <sub>8</sub>	1064	22	25	B
8.5	YHK102A4S0H0000	16.3	106000	50 <sup>7</sup> / <sub>8</sub> x 53 <sup>1</sup> / <sub>4</sub> x 88 <sup>1</sup> / <sub>8</sub>	1096	26	35	B
10	YHK120A4S0H0000	15.8	120000	50 <sup>7</sup> / <sub>8</sub> x 53 <sup>1</sup> / <sub>4</sub> x 88 <sup>1</sup> / <sub>8</sub>	1115	31	40	B
12.5	YHK150A4S0H0000	17.9	150000	59 x 87 x 123	2220	37	50	D
15	YHK180A4S0H0000	18.0	180000	59 x 87 x 123	2220	40	50	D
17.5	YHK210A4S0H0000	16.5	210000	59 x 87 x 123	2250	47	60	D
20	YHK240A4S0H0000	15.8	242000	59 x 87 x 123	2320	55	70	D
25	YHK300A4S0H0000	15.5	272000	59 x 87 x 123	2370	59	80	D

① SEER shown for 3-5 ton units only. The 3 to 5 ton EER and SEER are rated at AHRI conditions and calculated in accordance with AHRI standard 210/240-2017. Airflow and net cooling capacity not shown.

② SEER2 shown for 3 to 5 ton units only. ERR2 and SEER2 are rated at AHRI conditions and certified in accordance with AHRI Standard 210/240-2023 0000 Models are "base stock" configurations and will include hail guards and multi-speed motors as standard

\*\* Information is subject to change. Please confirm current product data within respective catalogs, IOMs or Trane Select Assist



It's Hard To Stop A Trane.®

# Precedent™ Packaged Rooftop Units: Gas/Electric with Symbio700™ 17 SEER, R-454B

Table LPG-8-A — Precedent - High Efficiency - Symbio700™ Controls - R-454B

Tons	Unit Ordering No.	Performance SEER ①②	AHRI Net Cooling Capacity (Btuh)	Dimensions (in.) H x W x L	Shipping Weights (lbs.)	MCA**	Max Fuse Size or Max Circuit Breaker**	Cabinet Size
<b>YHK - 575V/60Hz/3-Phase - Low Heat</b>								
3	YHK036AWS0L0000	17.1/16.4	38000	46 <sup>7</sup> / <sub>8</sub> x 44 <sup>1</sup> / <sub>4</sub> x 69 <sup>7</sup> / <sub>8</sub>	728	10	15	A
4	YHK048AWS0L0000	17.1/16.4	49000	50 <sup>7</sup> / <sub>8</sub> x 53 <sup>1</sup> / <sub>4</sub> x 88 <sup>1</sup> / <sub>6</sub>	923	11	15	B
5	YHK060AWS0L0000	17.1/16.4	61000	50 <sup>7</sup> / <sub>8</sub> x 53 <sup>1</sup> / <sub>4</sub> x 88 <sup>1</sup> / <sub>7</sub>	951	13	15	B
6	YHK072AWS0L0000	17.2	78000	50 <sup>7</sup> / <sub>8</sub> x 53 <sup>1</sup> / <sub>4</sub> x 88 <sup>1</sup> / <sub>8</sub>	1035	17	20	B
7.5	YHK090AWS0L0000	17.2	90000	50 <sup>7</sup> / <sub>8</sub> x 53 <sup>1</sup> / <sub>4</sub> x 88 <sup>1</sup> / <sub>8</sub>	1064	19	25	B
8.5	YHK102AWS0L0000	16.3	106000	50 <sup>7</sup> / <sub>8</sub> x 53 <sup>1</sup> / <sub>4</sub> x 88 <sup>1</sup> / <sub>8</sub>	1096	21	25	B
10	YHK120AWS0L0000	15.8	120000	50 <sup>7</sup> / <sub>8</sub> x 53 <sup>1</sup> / <sub>4</sub> x 88 <sup>1</sup> / <sub>8</sub>	1115	24	30	B
12.5	YHK150AWS0L0000	17.9	150000	59 x 87 x 123	2220	29	35	D
15	YHK180AWS0L0000	18.0	180000	59 x 87 x 123	2220	32	40	D
17.5	YHK210AWS0L0000	16.5	210000	59 x 87 x 123	2250	38	50	D
20	YHK240AWS0L0000	15.8	242000	59 x 87 x 123	2320	40	50	D
25	YHK300AWS0L0000	15.5	272000	59 x 87 x 123	2370	42	50	D
<b>YHK - 575V/60Hz/3-Phase - Medium Heat</b>								
3	YHK036AWS0M0000	17.1/16.4	38000	46 <sup>7</sup> / <sub>8</sub> x 44 <sup>1</sup> / <sub>4</sub> x 69 <sup>7</sup> / <sub>8</sub>	728	10	15	A
4	YHK048AWS0M0000	17.1/16.4	49000	50 <sup>7</sup> / <sub>8</sub> x 53 <sup>1</sup> / <sub>4</sub> x 88 <sup>1</sup> / <sub>6</sub>	923	11	15	B
5	YHK060AWS0M0000	17.1/16.4	61000	50 <sup>7</sup> / <sub>8</sub> x 53 <sup>1</sup> / <sub>4</sub> x 88 <sup>1</sup> / <sub>7</sub>	951	13	15	B
6	YHK072AWS0M0000	17.2	78000	50 <sup>7</sup> / <sub>8</sub> x 53 <sup>1</sup> / <sub>4</sub> x 88 <sup>1</sup> / <sub>8</sub>	1035	17	20	B
7.5	YHK090AWS0M0000	17.2	90000	50 <sup>7</sup> / <sub>8</sub> x 53 <sup>1</sup> / <sub>4</sub> x 88 <sup>1</sup> / <sub>8</sub>	1064	19	25	B
8.5	YHK102AWS0M0000	16.3	106000	50 <sup>7</sup> / <sub>8</sub> x 53 <sup>1</sup> / <sub>4</sub> x 88 <sup>1</sup> / <sub>8</sub>	1096	21	25	B
10	YHK120AWS0M0000	15.8	120000	50 <sup>7</sup> / <sub>8</sub> x 53 <sup>1</sup> / <sub>4</sub> x 88 <sup>1</sup> / <sub>8</sub>	1115	24	30	B
12.5	YHK150AWS0M0000	17.9	150000	59 x 87 x 123	2220	29	35	D
15	YHK180AWS0M0000	18.0	180000	59 x 87 x 123	2220	32	40	D
17.5	YHK210AWS0M0000	16.5	210000	59 x 87 x 123	2250	38	50	D
20	YHK240AWS0M0000	15.8	242000	59 x 87 x 123	2320	40	50	D
25	YHK300AWS0M0000	15.5	272000	59 x 87 x 123	2370	42	50	D
<b>YHK - 575V/60Hz/3-Phase - High Heat</b>								
3	YHK036AWS0H0000	17.1/16.4	38000	46 <sup>7</sup> / <sub>8</sub> x 44 <sup>1</sup> / <sub>4</sub> x 69 <sup>7</sup> / <sub>8</sub>	728	10	15	A
4	YHK048AWS0H0000	17.1/16.4	49000	50 <sup>7</sup> / <sub>8</sub> x 53 <sup>1</sup> / <sub>4</sub> x 88 <sup>1</sup> / <sub>6</sub>	923	11	15	B
5	YHK060AWS0H0000	17.1/16.4	61000	50 <sup>7</sup> / <sub>8</sub> x 53 <sup>1</sup> / <sub>4</sub> x 88 <sup>1</sup> / <sub>7</sub>	951	13	15	B
6	YHK072AWS0H0000	17.2	78000	50 <sup>7</sup> / <sub>8</sub> x 53 <sup>1</sup> / <sub>4</sub> x 88 <sup>1</sup> / <sub>8</sub>	1035	17	20	B
7.5	YHK090AWS0H0000	17.2	90000	50 <sup>7</sup> / <sub>8</sub> x 53 <sup>1</sup> / <sub>4</sub> x 88 <sup>1</sup> / <sub>8</sub>	1064	19	25	B
8.5	YHK102AWS0H0000	16.3	106000	50 <sup>7</sup> / <sub>8</sub> x 53 <sup>1</sup> / <sub>4</sub> x 88 <sup>1</sup> / <sub>8</sub>	1096	21	25	B
10	YHK120AWS0H0000	15.8	120000	50 <sup>7</sup> / <sub>8</sub> x 53 <sup>1</sup> / <sub>4</sub> x 88 <sup>1</sup> / <sub>8</sub>	1115	24	30	B
12.5	YHK150AWS0H0000	17.9	150000	59 x 87 x 123	2220	29	35	D
15	YHK180AWS0H0000	18.0	180000	59 x 87 x 123	2220	32	40	D
17.5	YHK210AWS0H0000	16.5	210000	59 x 87 x 123	2250	38	50	D
20	YHK240AWS0H0000	15.8	242000	59 x 87 x 123	2320	40	50	D
25	YHK300AWS0H0000	15.5	272000	59 x 87 x 123	2370	42	50	D

① SEER shown for 3-5 ton units only. The 3 to 5 ton EER and SEER are rated at AHRI conditions and calculated in accordance with AHRI standard 210/240-2017. Airflow and net cooling capacity not shown.

② SEER2 shown for 3 to 5 ton units only. ERR2 and SEER2 are rated at AHRI conditions and certified in accordance with AHRI Standard 210/240-2023 0000 Models are "base stock" configurations and will include hail guards and multi-speed motors as standard

\*\* Information is subject to change. Please confirm current product data within respective catalogs, IOMs or Trane Select Assist



# Precedent™ Packaged Rooftop Units: Gas/Electric with Symbio700™, R-454B Accessories

**Table LPG-9-A – Precedent - Symbio700™ Controls - R-454B - Accessories**

Part Number	Description	Cabinets	Literature Number
FIABARM001*	Barometric Relief	A	ACC-SVN262*-EN
FIABARM002*	Barometric Relief	B & C	ACC-SVN262*-EN
FIABARM003*	Barometric Relief	D	ACC-SVN286*-EN
FIACLFS001*	Clogged Filter Switch	B & C	ACC-SVN238*-EN
FIACLFS002*	Clogged Filter Switch (MERV 13)	B & C	ACC-SVN238*-EN
FIACLFS003*	Clogged Filter Switch	D	ACC-SVN238*-EN
FIACLFS004*	Clogged Filter Switch (MERV 13)	D	ACC-SVN238*-EN
FIACLFS005*	Clogged Filter Switch Standard and MERV 8 filter	A	ACC-SVN238*-EN
FIACLFS006*	Clogged Filter Switch MERV 13 filter	A	ACC-SVN238*-EN
FIACURB401*	Roof Curb	A	ACC-SVN315*-EN
FIACURB402*	14-inch Full Perimeter Knockdown Curb	B	ACC-SVN252*-EN
FIACURB403*	14-inch Full Perimeter Knockdown Curb	C	ACC-SVN253*-EN
FIACURB404*	14-inch Full Perimeter Knockdown Curb	D	ACC-SVN226*-EN
FIACURB801*	18-inch Full Perimeter Knockdown Curb	A	ACC-SVN315*-EN
FIACURB802*	18-inch Full Perimeter Knockdown Curb	B	ACC-SVN252*-EN
FIACURB803*	18-inch Full Perimeter Knockdown Curb	C	ACC-SVN253*-EN
FIACURB804*	18-inch Full Perimeter Knockdown Curb	D	ACC-SVN226*-EN
FIADAST001*	Discharge Air Sensing Tube Kit T/W	A	ACC-SVN240*-EN
FIADAST002*	Discharge Air Sensing Tube Kit Y/D	A	ACC-SVN240*-EN
FIADAST003*	Discharge Air Sensing Tube Kit T/W	B	ACC-SVN240*-EN
FIADAST004*	Discharge Air Sensing Tube Kit Y/D	B	ACC-SVN240*-EN
FIADAST005*	Discharge Air Sensing Tube Kit T/W	C	ACC-SVN240*-EN
FIADAST006*	Discharge Air Sensing Tube Kit Y/D	C	ACC-SVN240*-EN
FIADAST007*	Discharge Air Sensing Tube Kit T/W	D	ACC-SVN240*-EN
FIADAST008*	Discharge Air Sensing Tube Kit Y/D	D	ACC-SVN240*-EN
FIADMPR001*	Manual Outside Air Damper 0-50%	A	ACC-SVN01*-EN
FIADMPR002*	Manual Damper	B & C	ACC-SVN01*-EN
FIADMPR003*	Manual Damper	D	ACC-SVN75*-EN
FIADMPR101*	Motorized Outside Air Damper 0-50%	A	ACC-SVN231*-EN
FIADMPR102*	Motorized Damper	B & C	ACC-SVN231*-EN
FIADMPR103*	Motorized Damper	D	ACC-SVN231*-EN
FIAECON001*	Dry Bulb Economizer 0-100%	A	ACC-SVN261*-EN
FIAECON002*	Dry Bulb Economizer	B & C	ACC-SVN261*-EN
FIAECON003*	Dry Bulb Downflow Economizer	D	ACC-SVN232*-EN
FIAECON101*	Low Leak Econ - Dry Bulb	A, Downflow	ACC-SVN264*-EN
FIAECON102*	Dry Bulb Downflow Low Leak	B & C, Downflow	ACC-SVN264*-EN
FIAECON103*	Dry Bulb Downflow Low Leak	D, Downflow	ACC-SVN264*-EN
FIAECON201*	Horizontal Low Leak Dry Bulb Economizer	A, Horizontal	ACC-SVN264*-EN
FIAECON202*	Dry Bulb Horizontal Low Leak	B & C, Horizontal	ACC-SVN264*-EN
FIAECON203*	Dry Bulb Horizontal Low Leak	D, Horizontal	ACC-SVN264*-EN
FIAECON303*	Dry Bulb Horizontal Economizer	D	ACC-SVN233*-EN
FIAENTH001*	Reference Enthalpy Economizer Control	All	ACC-SVN234*-EN
FIAENTH002*	Comparative Enthalpy Economizer Control	All	ACC-SVN235*-EN
FIAHALT001*	High Altitude Gas Adjustment Kit - 2-Stage gas	A	ACC-SVN230*-E
FIAHALT002*	High Altitude Gas Adjustment Kit - 2-Stage gas	B & C	ACC-SVN230*-E
FIAHALT003*	High Altitude Gas Adjustment Kit - 2-Stage gas	D	ACC-SVN230*-E
FIAHZDC001*	Horizontal Conversion Pane	D	ACC-SVN263*-EN
FIALOAM001*	Low Ambient	All, T/Y	ACC-SVN237*-EN
FIALOAM002*	Low Ambient	All, W/D	ACC-SVN237*-EN

\*\*Information is subject to change. Please confirm current product data within respective catalogs, IOMs or Trane Select Assist

For complete equipment / combination selections, installation instructions and warranty information, please refer to Product Data/Ratings and/or Installers Guides and Limited Warranty Handbooks.

LPG-9

Effective 1/1/26  
22-8301-39

Light Commercial  
Packaged Gas/Electric



It's Hard To Stop A Trane.®

# Precedent™ Packaged Rooftop Units: Gas/Electric with Symbio700,™ R-454B Accessories

**Table LPG-10-A — Precedent - Symbio700™ Controls - R-454B - Accessories**

Part Number	Description	Cabinets	Literature Number
FIALPKT001*	LP Gas Conversion Kit - 2-Stage gas	A	ACC-SVN229*-E
FIALPKT002*	LP Gas Conversion Kit - 2-Stage gas	B & C	ACC-SVN229*-E
FIALPKT003*	LP Gas Conversion Kit - 2-Stage gas	D	ACC-SVN229*-E
FIALPKTM01*	LP Gas Conversion Kit - Units w/ Modulating gas	B	ACC-SVN269*-EN
FIALPKTM02*	LP Gas Conversion Kit - Units w/ Modulating gas	B	ACC-SVN269*-EN
FIALPKTM03*	LP Gas Conversion Kit- Units w/ Modulating gas	B	ACC-SVN269*-EN
FIALPKTM04*	LP Gas Conversion Kit- Units w/ Modulating gas	B	ACC-SVN269*-EN
FIALPKTM05*	LP Gas Conversion Kit- Units w/ Modulating gas	B	ACC-SVN269*-EN
FIALPKTM06*	LP Gas Conversion Kit- Units w/ Modulating gas	C	ACC-SVN269*-EN
FIALPKTM07*	LP Gas Conversion Kit- Units w/ Modulating gas	C	ACC-SVN269*-EN
FIALPKTM08*	LP Gas Conversion Kit - Units w/ Modulating gas	D	ACC-SVN269*-EN
FIALPKTM09*	LP Gas Conversion Kit - Units w/ Modulating gas	D	ACC-SVN269*-EN
FIALPKTM10*	LP Gas Conversion Kit- Units w/ Modulating gas	D	ACC-SVN269*-EN
FIAPWRX301*	Power Exhaust 230V	A	ACC-SVN236*-EN
FIAPWRX302*	Power Exhaust 230V	B & C	ACC-SVN236*-EN
FIAPWRX303*	Power Exhaust 230V	D	ACC-SVN236*-EN
FIAPWRX401*	Power Exhaust 460V	A	ACC-SVN236*-EN
FIAPWRX402*	Power Exhaust 460V	B & C	ACC-SVN236*-EN
FIAPWRX403*	Power Exhaust 460V	D	ACC-SVN236*-EN
FIAPWRXW01*	Power Exhaust 575V	A	ACC-SVN236*-EN
FIAPWRXW02*	Power Exhaust 575V	B & C	ACC-SVN236*-EN
FIAPWRXW03*	Power Exhaust 575V	D	ACC-SVN236*-EN
FIAQACB026*	Adapter Curb, BAYCURB026 to FIACURB403/803	C	ACC-SVN259*-EN
FIAQACB027*	Adapter Curb, BAYCURB027 to FIACURB403/803	C	ACC-SVN259*-EN
FIAQACB042*	Adapter Curb, BAYCURB042 to FIACURB402/802	B	ACC-SVN259*-EN
FIAQACB043*	Adapter Curb, BAYCURB043 to FIACURB403/803	C	ACC-SVN259*-EN
FIAQACB044*	Adapter Curb, BAYCURB044 to FIACURB402/802	B	ACC-SVN259*-EN
FIAQACB045*	Adapter Curb, BAYCURB043 to FIACURB402/802	A	ACC-SVN259*-EN

\*\*Information is subject to change. Please confirm current product data within respective catalogs, IOMs or Trane Select Assist

Light Commercial  
Packaged Gas/Electric



# Foundation™ Packaged Gas/Electric Rooftop Units, R-454B (Nomenclature / Model Number Digits)

Digit	Description	Order Number
1	<b>Unit Function</b>	
	Package Cooling, Electric Heat	E
	Package Gas/Electric	G
2	<b>Efficiency</b>	
	Generation - Legacy, Pre DOE	B
	Generation - DOE 2023	C
	Generation - LGWP 2025	D
3	<b>Refrigerant</b>	
	R-410A Refrigerant - Convertible Airflow	C
	R-454B Refrigerant - Convertible Airflow	K
4-6	<b>Nominal Gross Cooling Capacity</b>	
	3 Tons	036
	4 Tons	048
	5 Tons	060
	7.5 Tons	090
	8.5 Tons	102
	10 Tons	120
	12.5 Tons	150
	15 Tons	180
	17.5 Tons	210
	20 Tons	240
25 Tons	300	
7	<b>Major Design Sequence</b>	
	Current Design Sequence	*
8	<b>Voltage/Hz/Phase</b>	
	208-230/60/3	3
	460/60/3	4
	575/60/3	W
9	<b>Unit Controls</b>	
	Electromechanical ①	E
	Symbio700 ①	S
10	<b>Heating Capacity</b>	
	Cooling Only Models - No Heat	0
	Gas Heat Models -	
	Low Heat	L
	Medium heat	M
	High Heat1	H
	Low Heat, SS Heat Exchanger ①	X
	SS Medium Heat, SS Heat Exchanger ①	Y
SS High Heat, SS Heat Exchanger ①	Z	
11	<b>Minor Design Sequence</b>	
	Current Design Sequence	*
12-13	<b>Factory Service Sequence Digits</b>	**
14	<b>Fresh Air Section</b>	
	No Fresh Air	0
	Manual Outside Air Damper 0-50% ①	A
	Motorized Outside Air Damper 0-50%	B
	Economizer, Dry Bulb 0-100% w/out Barometric Relief ①	C
	Economizer, Dry Bulb 0-100% with Barometric Relief1 ②	D
	Economizer, Reference Enthalpy 0-100% w/out Barometric Relief ①	E
	Economizer, Reference Enthalpy 0-100% with Barometric Relief ①②	F
	Economizer, Comparative Enthalpy 0-100% w/out Barometric Relief ①	G
	Economizer, Comparative Enthalpy 0-100% with Barometric Relief ①②	H
	Downflow Low Leak Economizer, Dry Bulb w/out Barometric Relief ①	J
	Downflow Low Leak Economizer, Dry Bulb with Barometric Relief ①	K
	Downflow Low Leak Economizer, Reference Enthalpy w/out Barometric Relief ①	L
	Downflow Low Leak Economizer, Reference Enthalpy, with Barometric Relief ①	M
	Downflow Low Leak Economizer, Comparative Enthalpy without Barometric Relief ①	N
	Downflow Low Leak Economizer, Comparative Enthalpy, with Barometric Relief ①	P

Digit	Description	Order Number
15	<b>Supply Fan/Drive Type/Motor</b>	
	Standard Motor ①	0
	Oversized Motor ①	1
	Multi-Speed Standard Motor ①	7
	Multi-Speed Oversized Motor ①	9
16	<b>Unit Type/Access</b>	
	Small/Large Foundation, Standard Fork Access ①	0
	Large Foundation, Third Side Condenser Fork Access ①	F
	Medium Foundation Identifier ①	M
17	<b>Condenser Coil Protection</b>	
	Standard Coil	0
	Condenser with CompleteCoat™ ①	4
18	<b>Through the Base Provisions</b>	
	No Through the Base Provisions	0
	Through the Base Electric ①	A
	Through the Base Gas ①②	B
	Through the Base Electric/Gas1	C
19	<b>Disconnect/Circuit Breaker (3-Phase ONLY)</b>	
	No Disconnect/Circuit Breaker	0
	Unit Mounted/Non-Fused Disconnect1	1
20-24	<b>Not Used</b>	
	No Convenience Outlet	0000
25	<b>System Monitoring Controls</b>	
	No Monitoring Controls I	0
	Condensate Drain Pan Overflow Switch ①	
26	<b>System Monitoring Controls II</b>	
	No Monitoring Controls II	0
	Economizer Fault Detection and Diagnostics ①③	B

① Tonnage restrictions apply - option may not be configurable with select tonnages  
 ② Some Field setup is required  
 ③ Fault Detection and Diagnostics (FDD) is available on Low Leak Economizers Only

Note: All units ship with downflow airflow, factory-installed accessories will pair with downflow configurations only  
 \*\*Information is subject to change. Please confirm current product data within respective catalogs, IOMs or Trane Select Assist



# Foundation™ Packaged Gas/Electric Rooftop Units 3-5 Tons, R-454B



- Operating Charge of R-454B
- Scroll Compressors on all units
- Low ambient operation of 45 degrees F as standard
- Single side service access
- Provisional through the base field installed option
- Phase monitor on all units
- Convertible airflow on all units, all models ship with downflow airflow
- Sloped, non-corrosive drain pan
- Separate high and low voltage areas in control box
- 1-year limited parts warranty
- 5-year limited compressor warranty
- 5-year limited aluminized heat exchanger warranty
- 10-year limited stainless steel heat exchanger warranty

**Table LPG-12-A – Foundation™ - R-454B - Electromechanical Controls**

Tons	Unit Model No	Power Supply Volts/Phase/Hz	Performance SEER	Cooling Capacity (Btuh)	Heating Output Capacity (Btuh)	Dimensions (in.) H x W x L	Shipping Weight (lbs.)	MCA**	Max Fuse Size or Max Circuit Breaker**	Downflow Roofcurb <sup>Ⓛ</sup>
<b>GDK - Three Phase Low Heat</b>										
3	GDK036A3ELA0000	208-230/3/60	14.0	38,000	57,600	42 <sup>5</sup> / <sub>8</sub> x 48 x 76 <sup>7</sup> / <sub>8</sub>	574	23	30	BAYCURB320*
4	GDK048A3ELA0000	208-230/3/60	14.0	51,300	57,600	42 <sup>5</sup> / <sub>8</sub> x 48 x 76 <sup>7</sup> / <sub>8</sub>	616	23	25	BAYCURB320*
5	GDK060A3ELA0000	208-230/3/60	14.0	59,500	57,600	42 <sup>5</sup> / <sub>8</sub> x 48 x 76 <sup>7</sup> / <sub>8</sub>	636	28	29	BAYCURB320*
3	GDK036A4ELA0000	460/3/60	14.0	38,000	57,600	42 <sup>5</sup> / <sub>8</sub> x 48 x 76 <sup>7</sup> / <sub>8</sub>	574	11	15	BAYCURB320*
4	GDK048A4ELA0000	460/3/60	14.0	51,300	57,600	42 <sup>5</sup> / <sub>8</sub> x 48 x 76 <sup>7</sup> / <sub>8</sub>	616	11	15	BAYCURB320*
5	GDK060A4ELA0000	460/3/60	14.0	59,500	57,600	42 <sup>5</sup> / <sub>8</sub> x 48 x 76 <sup>7</sup> / <sub>8</sub>	636	13	15	BAYCURB320*
3	GDK036AWELA0000	575/3/60	14.0	38,000	57,600	42 <sup>5</sup> / <sub>8</sub> x 48 x 76 <sup>7</sup> / <sub>8</sub>	574	9	15	BAYCURB320*
4	GDK048AWELA0000	575/3/60	14.0	51,300	57,600	42 <sup>5</sup> / <sub>8</sub> x 48 x 76 <sup>7</sup> / <sub>8</sub>	616	10	15	BAYCURB320*
5	GDK060AWELA0000	575/3/60	14.0	59,500	57,600	42 <sup>5</sup> / <sub>8</sub> x 48 x 76 <sup>7</sup> / <sub>8</sub>	636	11	15	BAYCURB320*
<b>GDK - Three Phase Medium Heat</b>										
3	GDK036A3EMA0000	208-230/3/60	14.0	38,000	80,000	42 <sup>5</sup> / <sub>8</sub> x 48 x 76 <sup>7</sup> / <sub>8</sub>	574	23	30	BAYCURB320*
4	GDK048A3EMA0000	208-230/3/60	14.0	51,300	92,000	42 <sup>5</sup> / <sub>8</sub> x 48 x 76 <sup>7</sup> / <sub>8</sub>	616	23	25	BAYCURB320*
5	GDK060A3EMA0000	208-230/3/60	14.0	59,500	92,000	42 <sup>5</sup> / <sub>8</sub> x 48 x 76 <sup>7</sup> / <sub>8</sub>	636	28	29	BAYCURB320*
3	GDK036A4EMA0000	460/3/60	14.0	38,000	80,000	42 <sup>5</sup> / <sub>8</sub> x 48 x 76 <sup>7</sup> / <sub>8</sub>	574	11	15	BAYCURB320*
4	GDK048A4EMA0000	460/3/60	14.0	51,300	92,000	42 <sup>5</sup> / <sub>8</sub> x 48 x 76 <sup>7</sup> / <sub>8</sub>	616	11	15	BAYCURB320*
5	GDK060A4EMA0000	460/3/60	14.0	59,500	92,000	42 <sup>5</sup> / <sub>8</sub> x 48 x 76 <sup>7</sup> / <sub>8</sub>	636	13	15	BAYCURB320*
3	GDK036AWEMA0000	575/3/60	14.0	38,000	80,000	42 <sup>5</sup> / <sub>8</sub> x 48 x 76 <sup>7</sup> / <sub>8</sub>	574	9	15	BAYCURB320*
4	GDK048AWEMA0000	575/3/60	14.0	51,300	92,000	42 <sup>5</sup> / <sub>8</sub> x 48 x 76 <sup>7</sup> / <sub>8</sub>	616	10	15	BAYCURB320*
5	GDK060AWEMA0000	575/3/60	14.0	59,500	92,000	42 <sup>5</sup> / <sub>8</sub> x 48 x 76 <sup>7</sup> / <sub>8</sub>	636	11	15	BAYCURB320*

0000 = Includes no Factory-Installed Features; Does Not Include Factory-Installed Hail Guards or Multi-Speed Motor

Ⓛ For Downflow units only.

\*\* Information subject to change. Please confirm current product data within respective catalogs, IOMs or Trane Select Assist.



# Foundation™ Packaged Gas/Electric 3-5 Ton, R-454B Accessories

**Table LPG-13-A — Precedent - Symbio700™ Controls - R-454B - Accessories**

Part Number	Description	Used With	Literature Resource
BAYCURB320*	Roof curb	ALL	ACC-SVN192*-EN
BAYGARD320*	Tool-less Hail Guard	ALL	ACC-SVN193*-EN
BAYTBGF320*	Through the base - Elec.	ALL	ACC-SVN189*-EN
BAYDSCF322*	Non-Fused Disconnect	Cooling Only/Gas Heat	ACC-SVN195*-EN
BAYDSCF323*	Unit Mounted Disconnect - Electric Heat	5-25kW Electric Heat	ACC-SVN195*-EN
BAYCO2K301*	Wall Mounted CO2 Sensor	ALL	ACC-SVN173*-EN
BAYCO2K300*	Duct Mounted CO2 Sensor	ALL	ACC-SVN173*-EN
BAYCOSW320*	Condensate Overflow	ALL	ACC-SVN271*-EN
BAYCCHT010*	CCH - 208-230V	E/GDK048-060*3	ACC-SVN251*-EN
BAYCCHT011*	CCH - 460V/575V	E/GDK048-060*4/W	ACC-SVN251*-EN
BAYASCT001*	Compressor Short Cycle Timer	ALL	ACC-SVN31*-EN
BAYHSMT320*	Oversized Motor and Drive	ALL	ACC-SVN187*-EN
BAYPWRX320*	Power Exhaust - 208-230V	208-230V Models	ACC-SVN272*-EN
BAYPWRX321*	Power Exhaust - 460V	460V Models	ACC-SVN272*-EN
BAYPWRX322*	Power Exhaust - 575V	575V Models	ACC-SVN272*-EN
BAYDMPR321*	Damper, Manual	ALL	ACC-SVN200*-EN
BAYDMPR320*	Damper, Motorized	ALL	ACC-SVN197*-EN
BAYBARO320*	Barometric Relief Damper	ALL	ACC-SVN198*-EN
BAYBARO321*	Barometric Relief Damper, LLE W/FDD	ALL	ACC-SVN204*-EN
BAYECON320*	Economizer, Dry Bulb, Downflow	ALL	ACC-SVN208*-EN
BAYECON320*	Economizer, Dry Bulb, Horizontal	ALL	ACC-SVN208*-EN
BAYECON353*	Low Leak Economizer, Dry Bulb, Downflow W/FDD	ALL	ACC-SVN203*-EN
BAYECON354*	Low Leak Economizer, Dry Bulb, Horizontal W/FDD	ALL	ACC-SVN205*-EN
BAYENTH320*	Reference Enthalpy Kit	ALL	ACC-SVN201*-EN
BAYENTH321*	Comparative Enthalpy Kit	ALL	ACC-SVN202*-EN
BAYENTH322*	Reference Enthalpy, LLE W/FDD	ALL	ACC-SVN209*-EN
BAYENTH323*	Comparative Enthalpy, LLE W/FDD	ALL	ACC-SVN206*-EN

\* Information subject to change. Please confirm current product data within respective catalogs, IOMs or Trane Select Assist.



# Foundation™ Packaged Gas/Electric Rooftop Units 7.5-12.5 Tons, R-454B



- Operating Charge of R-454B
- Scroll Compressors on all units
- Low ambient operation of 0 degrees F as standard
- Single side service access
- Molded Handles on service access doors
- Separated high and low voltage compartments
- Liquid Line Refrigerant Drier
- Phase monitor on all units
- Convertible airflow on all units, all models ship with downflow airflow
- Two-inch throwaway filters as standard
- Non-Corrosive & Removable drain pan
- Crankcase heaters standard
- 1-year limited parts warranty
- 5-year limited compressor warranty

Table LPG-14-A – Foundation™ - R-454B - Electromechanical Controls

Tons	Unit Model No	Power Supply Volts/Phase/Hz	Performance SEER	Cooling Capacity (Btuh)	Dimensions (in.) H x W x L	Shipping Weight (lbs.)	MCA**	Max Fuse Size or Max Circuit Breaker**	Downflow Roofcurb <sup>Ⓛ</sup>
<b>GDK - Three Phase Low Heat</b>									
7.5	GDK090A3ELA****	208-230/3/60	14.6	86000	48 <sup>3</sup> / <sub>4</sub> x 58 <sup>7</sup> / <sub>8</sub> x 88 <sup>7</sup> / <sub>16</sub>	1087	35	45	BAYCURB310*
8.5	GDK102A3ELA****	208-230/3/60	14.6	104000	48 <sup>3</sup> / <sub>4</sub> x 58 <sup>7</sup> / <sub>8</sub> x 88 <sup>7</sup> / <sub>16</sub>	1124	38	45	BAYCURB310*
10	GDK120A3ELA****	208-230/3/60	14.6	114000	48 <sup>3</sup> / <sub>4</sub> x 58 <sup>7</sup> / <sub>8</sub> x 88 <sup>7</sup> / <sub>16</sub>	1157	45	60	BAYCURB310*
12.5	GDK150A3ELA****	208-230/3/60	14	140000	48 <sup>3</sup> / <sub>4</sub> x 58 <sup>7</sup> / <sub>8</sub> x 88 <sup>7</sup> / <sub>16</sub>	1237	62	80	BAYCURB310*
7.5	GDK090A4ELA****	460/3/60	14.6	86000	48 <sup>3</sup> / <sub>4</sub> x 58 <sup>7</sup> / <sub>8</sub> x 88 <sup>7</sup> / <sub>16</sub>	1087	18	20	BAYCURB310*
8.5	GDK102A4ELA****	460/3/60	14.6	104000	48 <sup>3</sup> / <sub>4</sub> x 58 <sup>7</sup> / <sub>8</sub> x 88 <sup>7</sup> / <sub>16</sub>	1124	20	25	BAYCURB310*
10	GDK120A4ELA****	460/3/60	14.6	114000	48 <sup>3</sup> / <sub>4</sub> x 58 <sup>7</sup> / <sub>8</sub> x 88 <sup>7</sup> / <sub>16</sub>	1157	28	30	BAYCURB310*
12.5	GDK150A4ELA****	460/3/60	14	140000	48 <sup>3</sup> / <sub>4</sub> x 58 <sup>7</sup> / <sub>8</sub> x 88 <sup>7</sup> / <sub>16</sub>	1237	35	45	BAYCURB310*
7.5	GDK090AWELA****	575/3/60	14.6	86000	48 <sup>3</sup> / <sub>4</sub> x 58 <sup>7</sup> / <sub>8</sub> x 88 <sup>7</sup> / <sub>16</sub>				
8.5	GDK102AWELA****	575/3/60	14.6	104000	48 <sup>3</sup> / <sub>4</sub> x 58 <sup>7</sup> / <sub>8</sub> x 88 <sup>7</sup> / <sub>16</sub>				
10	GDK120AWELA****	575/3/60	14.6	114000	48 <sup>3</sup> / <sub>4</sub> x 58 <sup>7</sup> / <sub>8</sub> x 88 <sup>7</sup> / <sub>16</sub>				
12.5	GDK150AWELA****	575/3/60	14	140000	48 <sup>3</sup> / <sub>4</sub> x 58 <sup>7</sup> / <sub>8</sub> x 88 <sup>7</sup> / <sub>16</sub>				
<b>GDK - Three Phase Medium Heat</b>									
7.5	GDK090A3EMA****	208-230/3/60	14.6	86000	48 <sup>3</sup> / <sub>4</sub> x 58 <sup>7</sup> / <sub>8</sub> x 88 <sup>7</sup> / <sub>16</sub>	1087	35	45	BAYCURB310*
8.5	GDK102A3EMA****	208-230/3/60	14.6	104000	48 <sup>3</sup> / <sub>4</sub> x 58 <sup>7</sup> / <sub>8</sub> x 88 <sup>7</sup> / <sub>16</sub>	1124	38	45	BAYCURB310*
10	GDK120A3EMA****	208-230/3/60	14.6	114000	48 <sup>3</sup> / <sub>4</sub> x 58 <sup>7</sup> / <sub>8</sub> x 88 <sup>7</sup> / <sub>16</sub>	1157	45	60	BAYCURB310*
12.5	GDK150A3EMA****	208-230/3/60	14	140000	48 <sup>3</sup> / <sub>4</sub> x 58 <sup>7</sup> / <sub>8</sub> x 88 <sup>7</sup> / <sub>16</sub>	1237	62	80	BAYCURB310*
7.5	GDK090A4EMA****	460/3/60	14.6	86000	48 <sup>3</sup> / <sub>4</sub> x 58 <sup>7</sup> / <sub>8</sub> x 88 <sup>7</sup> / <sub>16</sub>	1087	18	20	BAYCURB310*
8.5	GDK102A4EMA****	460/3/60	14.6	104000	48 <sup>3</sup> / <sub>4</sub> x 58 <sup>7</sup> / <sub>8</sub> x 88 <sup>7</sup> / <sub>16</sub>	1124	20	25	BAYCURB310*
10	GDK120A4EMA****	460/3/60	14.6	114000	48 <sup>3</sup> / <sub>4</sub> x 58 <sup>7</sup> / <sub>8</sub> x 88 <sup>7</sup> / <sub>16</sub>	1157	28	30	BAYCURB310*
12.5	GDK150A4EMA****	460/3/60	14	140000	48 <sup>3</sup> / <sub>4</sub> x 58 <sup>7</sup> / <sub>8</sub> x 88 <sup>7</sup> / <sub>16</sub>	1237	35	45	BAYCURB310*
7.5	GDK090AWEMA****	575/3/60	14.6	86000	48 <sup>3</sup> / <sub>4</sub> x 58 <sup>7</sup> / <sub>8</sub> x 88 <sup>7</sup> / <sub>16</sub>				
8.5	GDK102AWEMA****	575/3/60	14.6	104000	48 <sup>3</sup> / <sub>4</sub> x 58 <sup>7</sup> / <sub>8</sub> x 88 <sup>7</sup> / <sub>16</sub>				
10	GDK120AWEMA****	575/3/60	14.6	114000	48 <sup>3</sup> / <sub>4</sub> x 58 <sup>7</sup> / <sub>8</sub> x 88 <sup>7</sup> / <sub>16</sub>				
12.5	GDK150AWEMA****	575/3/60	14	140000	48 <sup>3</sup> / <sub>4</sub> x 58 <sup>7</sup> / <sub>8</sub> x 88 <sup>7</sup> / <sub>16</sub>				
<b>GDK - Three Phase High Heat</b>									
7.5	GDK090A3EHA****	208-230/3/60	14.6	86000	48 <sup>3</sup> / <sub>4</sub> x 58 <sup>7</sup> / <sub>8</sub> x 88 <sup>7</sup> / <sub>16</sub>	1087	35	45	BAYCURB310*
8.5	GDK102A3EHA****	208-230/3/60	14.6	104000	48 <sup>3</sup> / <sub>4</sub> x 58 <sup>7</sup> / <sub>8</sub> x 88 <sup>7</sup> / <sub>16</sub>	1124	38	45	BAYCURB310*
10	GDK120A3EHA****	208-230/3/60	14.6	114000	48 <sup>3</sup> / <sub>4</sub> x 58 <sup>7</sup> / <sub>8</sub> x 88 <sup>7</sup> / <sub>16</sub>	1157	45	60	BAYCURB310*
12.5	GDK150A3EHA****	208-230/3/60	14	140000	48 <sup>3</sup> / <sub>4</sub> x 58 <sup>7</sup> / <sub>8</sub> x 88 <sup>7</sup> / <sub>16</sub>	1237	62	80	BAYCURB310*
7.5	GDK090A4EHA****	460/3/60	14.6	86000	48 <sup>3</sup> / <sub>4</sub> x 58 <sup>7</sup> / <sub>8</sub> x 88 <sup>7</sup> / <sub>16</sub>	1087	18	20	BAYCURB310*
8.5	GDK102A4EHA****	460/3/60	14.6	104000	48 <sup>3</sup> / <sub>4</sub> x 58 <sup>7</sup> / <sub>8</sub> x 88 <sup>7</sup> / <sub>16</sub>	1124	20	25	BAYCURB310*
10	GDK120A4EHA****	460/3/60	14.6	114000	48 <sup>3</sup> / <sub>4</sub> x 58 <sup>7</sup> / <sub>8</sub> x 88 <sup>7</sup> / <sub>16</sub>	1157	28	30	BAYCURB310*
12.5	GDK150A4EHA****	460/3/60	14	140000	48 <sup>3</sup> / <sub>4</sub> x 58 <sup>7</sup> / <sub>8</sub> x 88 <sup>7</sup> / <sub>16</sub>	1237	35	45	BAYCURB310*
7.5	GDK090AWEHA****	575/3/60	14.6	86000	48 <sup>3</sup> / <sub>4</sub> x 58 <sup>7</sup> / <sub>8</sub> x 88 <sup>7</sup> / <sub>16</sub>				
8.5	GDK102AWEHA****	575/3/60	14.6	104000	48 <sup>3</sup> / <sub>4</sub> x 58 <sup>7</sup> / <sub>8</sub> x 88 <sup>7</sup> / <sub>16</sub>				
10	GDK120AWEHA****	575/3/60	14.6	114000	48 <sup>3</sup> / <sub>4</sub> x 58 <sup>7</sup> / <sub>8</sub> x 88 <sup>7</sup> / <sub>16</sub>				
12.5	GDK150AWEHA****	575/3/60	14	140000	48 <sup>3</sup> / <sub>4</sub> x 58 <sup>7</sup> / <sub>8</sub> x 88 <sup>7</sup> / <sub>16</sub>				

\*\* Information is subject to change. Please confirm current product data within respective catalogs, IOMs or Trane Select Assist

For complete equipment / combination selections, installation instructions and warranty information, please refer to Product Data/Ratings and/or Installers Guides and Limited Warranty Handbooks.



# Foundation™ Packaged Gas/Electric 7.5-12.5 Ton, R-454B Accessories

**Table LPG-15-A — Medium Foundation - R-454B - Field Installed Accessories**

Part Number	Description	Used With	Literature Resource
BAYCURB310*	Roof curb	GDK090-150	ACC-SVN297*-EN
BAYGARD312*	Tool-less Hail Guard	GDK090-150	ACC-SVN317*-EN
Not Currently Available	Through the base - Elec.	Not Currently Available	
BAYASCT001*	Compressor Short Cycle Timer	ALL	ACC-SVN31*-EN
BAYSTAT300*	BACnet Enabled Thermostat	ALL	Not Currently Available
Not Currently Available	Wall Mounted CO2 Sensor	Not Currently Available	
Not Currently Available	Duct Mounted CO2 Sensor	Not Currently Available	
BAYCOSW311*	Condensate Overflow	ALL	ACC-SVN317*-EN
BAYPWRX310*	Power Exhaust 208-230V, Downflow	GDK090-150*3	ACC-SVN322*-EN
BAYPWRX313*	Power Exhaust 208-230V, Downflow	GDK090-150*3	ACC-SVN322*-EN
BAYPWRX311*	Power Exhaust 460V, Downflow	GDK090-150*4	ACC-SVN322*-EN
BAYPWRX314*	Power Exhaust 460V, Downflow	GDK090-150*4	ACC-SVN322*-EN
BAYDMPR310*	Damper, Motorized	GDK090-150	ACC-SVN318*-EN
BAYDMPR311*	Damper, Manual	GDK090-150	ACC-SVN318*-EN
BAYBARO310*	Barometric Relief Damper	ALL	Not Currently Available
Not Currently Available	Barometric Relief Damper, LLE W/FDD	Not Currently Available	
BAYECON310*	Economizer, Dry Bulb, Downflow	GDK090-150	ACC-SVN323*-EN
BAYECON311*	Economizer, Dry Bulb, Horizontal	GDK090-150	ACC-SVN319*-EN
BAYECON355*	Low Leak Economizer, Dry Bulb, Downflow W/FDD	GDK090-150	ACC-SVN321*-EN
BAYECON356*	Low Leak Economizer, Dry Bulb, Horizontal W/FDD	GDK090-150	ACC-SVN320*-EN

\* Information subject to change. Please confirm current product data within respective catalogs, IOMs or Trane Select Assist.



# Foundation™ Packaged Gas/Electric Rooftop Units 15-25 Tons, R-454B



- Operating Charge of R-454B
- Scroll Compressors on all units
- Low ambient operation of 0 degrees F as standard
- Single side service access
- Molded Handles on service access doors
- Separated high and low voltage compartments
- Liquid Line Refrigerant Drier
- Phase monitor on all units
- Convertible airflow on all units, all models ship with downflow airflow
- Two-inch throwaway filters as standard
- Non-Corrosive & Removable drain pan
- Crankcase heaters standard
- 1-year limited parts warranty
- 5-year limited compressor warranty

Table LPG-16-A – Foundation™ - R-454B - Electromechanical Controls

Tons	Unit Model No	Power Supply Volts/Phase/Hz	Performance SEER	Cooling Capacity (Btuh)	Dimensions (in.) H x W x L	Shipping Weight (lbs.)	MCA**	Max Fuse Size or Max Circuit Breaker**	Downflow Roofcurb <sup>Ⓛ</sup>
<b>GDK - Three Phase Low Heat</b>									
15	GDK180A3SLA1DQY	208-230/3/60	14	182000	59 <sup>5</sup> / <sub>16</sub> X 86 <sup>15</sup> / <sub>16</sub> X 123 <sup>1</sup> / <sub>8</sub>	2380	70	100	BAYCURB027*
17.5	GDK210A3SLA1DQY	208-230/3/60	14	206000	59 <sup>5</sup> / <sub>16</sub> X 86 <sup>15</sup> / <sub>16</sub> X 123 <sup>1</sup> / <sub>8</sub>	2394	91	125	BAYCURB027*
20	GDK240A3SLA1DQY	208-230/3/60	13	240000	59 <sup>5</sup> / <sub>16</sub> X 86 <sup>15</sup> / <sub>16</sub> X 123 <sup>1</sup> / <sub>8</sub>	2392	104	125	BAYCURB027*
25	GDK300A3SLA1DQY	208-230/3/60	13	266000	59 <sup>5</sup> / <sub>16</sub> X 86 <sup>15</sup> / <sub>16</sub> X 123 <sup>1</sup> / <sub>8</sub>	2428	121	150	BAYCURB027*
15	GDK180A4SLA1DQY	460/3/60	14	182000	59 <sup>5</sup> / <sub>16</sub> X 86 <sup>15</sup> / <sub>16</sub> X 123 <sup>1</sup> / <sub>8</sub>	2380	35	45	BAYCURB027*
17.5	GDK210A4SLA1DQY	460/3/60	14	206000	59 <sup>5</sup> / <sub>16</sub> X 86 <sup>15</sup> / <sub>16</sub> X 123 <sup>1</sup> / <sub>8</sub>	2394	44	60	BAYCURB027*
20	GDK240A4SLA1DQY	460/3/60	13	240000	59 <sup>5</sup> / <sub>16</sub> X 86 <sup>15</sup> / <sub>16</sub> X 123 <sup>1</sup> / <sub>8</sub>	2392	51	70	BAYCURB027*
25	GDK300A4SLA1DQY	460/3/60	13	266000	59 <sup>5</sup> / <sub>16</sub> X 86 <sup>15</sup> / <sub>16</sub> X 123 <sup>1</sup> / <sub>8</sub>	2428	58	80	BAYCURB027*
15	GDK180AWSLA1DQY	575/3/60	14	182000	59 <sup>5</sup> / <sub>16</sub> X 86 <sup>15</sup> / <sub>16</sub> X 123 <sup>1</sup> / <sub>8</sub>	2380	28	40	BAYCURB027*
17.5	GDK210AWSLA1DQY	575/3/60	14	206000	59 <sup>5</sup> / <sub>16</sub> X 86 <sup>15</sup> / <sub>16</sub> X 123 <sup>1</sup> / <sub>8</sub>	2394	36	50	BAYCURB027*
20	GDK240AWSLA1DQY	575/3/60	13	240000	59 <sup>5</sup> / <sub>16</sub> X 86 <sup>15</sup> / <sub>16</sub> X 123 <sup>1</sup> / <sub>8</sub>	2392	39	50	BAYCURB027*
25	GDK300AWSLA1DQY	575/3/60	13	266000	59 <sup>5</sup> / <sub>16</sub> X 86 <sup>15</sup> / <sub>16</sub> X 123 <sup>1</sup> / <sub>8</sub>	2428	43	50	BAYCURB027*
<b>GDK - Three Phase Medium Heat</b>									
15	GDK180A3SMA1DQY	208-230/3/60	14	182000	59 <sup>5</sup> / <sub>16</sub> X 86 <sup>15</sup> / <sub>16</sub> X 123 <sup>1</sup> / <sub>8</sub>	2380	70	100	BAYCURB027*
17.5	GDK210A3SMA1DQY	208-230/3/60	14	206000	59 <sup>5</sup> / <sub>16</sub> X 86 <sup>15</sup> / <sub>16</sub> X 123 <sup>1</sup> / <sub>8</sub>	2394	91	125	BAYCURB027*
20	GDK240A3SMA1DQY	208-230/3/60	13	240000	59 <sup>5</sup> / <sub>16</sub> X 86 <sup>15</sup> / <sub>16</sub> X 123 <sup>1</sup> / <sub>8</sub>	2392	104	125	BAYCURB027*
25	GDK300A3SMA1DQY	208-230/3/60	13	266000	59 <sup>5</sup> / <sub>16</sub> X 86 <sup>15</sup> / <sub>16</sub> X 123 <sup>1</sup> / <sub>8</sub>	2428	121	150	BAYCURB027*
15	GDK180A4SMA1DQY	460/3/60	14	182000	59 <sup>5</sup> / <sub>16</sub> X 86 <sup>15</sup> / <sub>16</sub> X 123 <sup>1</sup> / <sub>8</sub>	2380	35	45	BAYCURB027*
17.5	GDK210A4SMA1DQY	460/3/60	14	206000	59 <sup>5</sup> / <sub>16</sub> X 86 <sup>15</sup> / <sub>16</sub> X 123 <sup>1</sup> / <sub>8</sub>	2394	44	60	BAYCURB027*
20	GDK240A4SMA1DQY	460/3/60	13	240000	59 <sup>5</sup> / <sub>16</sub> X 86 <sup>15</sup> / <sub>16</sub> X 123 <sup>1</sup> / <sub>8</sub>	2392	51	70	BAYCURB027*
25	GDK300A4SMA1DQY	460/3/60	13	266000	59 <sup>5</sup> / <sub>16</sub> X 86 <sup>15</sup> / <sub>16</sub> X 123 <sup>1</sup> / <sub>8</sub>	2428	58	80	BAYCURB027*
15	GDK180AWSMA1DQY	575/3/60	14	182000	59 <sup>5</sup> / <sub>16</sub> X 86 <sup>15</sup> / <sub>16</sub> X 123 <sup>1</sup> / <sub>8</sub>	2380	28	40	BAYCURB027*
17.5	GDK210AWSMA1DQY	575/3/60	14	206000	59 <sup>5</sup> / <sub>16</sub> X 86 <sup>15</sup> / <sub>16</sub> X 123 <sup>1</sup> / <sub>8</sub>	2394	36	50	BAYCURB027*
20	GDK240AWSMA1DQY	575/3/60	13	240000	59 <sup>5</sup> / <sub>16</sub> X 86 <sup>15</sup> / <sub>16</sub> X 123 <sup>1</sup> / <sub>8</sub>	2392	39	50	BAYCURB027*
25	GDK300AWSMA1DQY	575/3/60	13	266000	59 <sup>5</sup> / <sub>16</sub> X 86 <sup>15</sup> / <sub>16</sub> X 123 <sup>1</sup> / <sub>8</sub>	2428	43	50	BAYCURB027*
<b>GDK - Three Phase High Heat</b>									
15	GDK180A3SHA1DQY	208-230/3/60	14	182000	59 <sup>5</sup> / <sub>16</sub> X 86 <sup>15</sup> / <sub>16</sub> X 123 <sup>1</sup> / <sub>8</sub>	2380	70	100	BAYCURB027*
17.5	GDK210A3SHA1DQY	208-230/3/60	14	206000	59 <sup>5</sup> / <sub>16</sub> X 86 <sup>15</sup> / <sub>16</sub> X 123 <sup>1</sup> / <sub>8</sub>	2394	91	125	BAYCURB027*
20	GDK240A3SHA1DQY	208-230/3/60	13	240000	59 <sup>5</sup> / <sub>16</sub> X 86 <sup>15</sup> / <sub>16</sub> X 123 <sup>1</sup> / <sub>8</sub>	2392	104	125	BAYCURB027*
25	GDK300A3SHA1DQY	208-230/3/60	13	266000	59 <sup>5</sup> / <sub>16</sub> X 86 <sup>15</sup> / <sub>16</sub> X 123 <sup>1</sup> / <sub>8</sub>	2428	121	150	BAYCURB027*
15	GDK180A4SHA1DQY	460/3/60	14	182000	59 <sup>5</sup> / <sub>16</sub> X 86 <sup>15</sup> / <sub>16</sub> X 123 <sup>1</sup> / <sub>8</sub>	2380	35	45	BAYCURB027*
17.5	GDK210A4SHA1DQY	460/3/60	14	206000	59 <sup>5</sup> / <sub>16</sub> X 86 <sup>15</sup> / <sub>16</sub> X 123 <sup>1</sup> / <sub>8</sub>	2394	44	60	BAYCURB027*
20	GDK240A4SHA1DQY	460/3/60	13	240000	59 <sup>5</sup> / <sub>16</sub> X 86 <sup>15</sup> / <sub>16</sub> X 123 <sup>1</sup> / <sub>8</sub>	2392	51	70	BAYCURB027*
25	GDK300A4SHA1DQY	460/3/60	13	266000	59 <sup>5</sup> / <sub>16</sub> X 86 <sup>15</sup> / <sub>16</sub> X 123 <sup>1</sup> / <sub>8</sub>	2428	58	80	BAYCURB027*
15	GDK180AWSHA1DQY	575/3/60	14	182000	59 <sup>5</sup> / <sub>16</sub> X 86 <sup>15</sup> / <sub>16</sub> X 123 <sup>1</sup> / <sub>8</sub>	2380	28	40	BAYCURB027*
17.5	GDK210AWSHA1DQY	575/3/60	14	206000	59 <sup>5</sup> / <sub>16</sub> X 86 <sup>15</sup> / <sub>16</sub> X 123 <sup>1</sup> / <sub>8</sub>	2394	36	50	BAYCURB027*
20	GDK240AWSHA1DQY	575/3/60	13	240000	59 <sup>5</sup> / <sub>16</sub> X 86 <sup>15</sup> / <sub>16</sub> X 123 <sup>1</sup> / <sub>8</sub>	2392	39	50	BAYCURB027*
25	GDK300AWSHA1DQY	575/3/60	13	266000	59 <sup>5</sup> / <sub>16</sub> X 86 <sup>15</sup> / <sub>16</sub> X 123 <sup>1</sup> / <sub>8</sub>	2428	43	50	BAYCURB027*

Ⓛ DQY = does include factory-installed multi-speed motors

\*\*Information is subject to change. Please confirm current product data within respective catalogs, IOMs or Trane Select Assist

For complete equipment / combination selections, installation instructions and warranty information, please refer to Product Data/Ratings and/or Installers Guides and Limited Warranty Handbooks.



# Foundation™ Packaged Gas/Electric 15-25 Ton, R-454B Accessories

**Table LPG-17-A – Precedent - Symbio700™ Controls - R-454B - Accessories**

Part Number	Description	Used With	Literature Resource
BAYCURB027*	Roof curb	ALL	ACC-SVN73*-EN
BAYGARD300*	Tool-less Hail Guard	ALL	ACC-SVN158*-EN
BAYHZRT001*	Horizontal Duct Conversion Kit	ALL	ACC-SVN159*-EN
BAYTBUE301*	Through the Base - Elec.	ALL	ACC-SVN151*-EN
BAYDSCF306*	Non-Fused Disconnect	ALL	ACC-SVN151*-EN
BAYCO2K301*	Wall Mounted CO2 Sensor	ALL	ACC-SVN173*-EN
BAYCO2K300*	Duct Mounted CO2 Sensor	ALL	ACC-SVN173*-EN
BAYCOSW301*	Condensate Overflow ①	ALL	ACC-SVN306*-EN
BAYHAKT300*	High Altitude Conversion Kit	ALL	ACC-SVN166*-EN
BAYCCHT300*	CCH – 208-230V	208-230V Models	ACC-SVN161*-EN
BAYCCHT301*	CCH - 460V	460V Models	ACC-SVN161*-EN
BAYCCHT302*	CCH – 575V	575V Models	ACC-SVN161*-EN
BAYLOAM305*	Low Ambient Kit	25Ton, 230V Only	ACC-SVN312*-EN
BAYLOAM310*	Evaporator Defrost Control Kit	ALL	ACC-SVN174*-EN
BAYDMPR301*	Damper, Manual	ALL	ACC-SVN300*-EN
BAYDMPR302*	Damper, Motorized ①	ALL	ACC-SVN302*-EN
BAYBARO300*	Barometric Relief Damper	ALL	ACC-SVN304*-EN
BAYECON302*	Economizer, Dry Bulb, Downflow ①	ALL	ACC-SVN303*-EN
BAYECON303*	0-100% Economizer, Dry Bulb - Horizontal	ALL	ACC-SVN307*-EN
BAYECON358*	Low Leak Economizer, Dry Bulb, Downflow W/FDD ①	ALL	ACC-SVN311*-EN
BAYECON359*	Low Leak Econ w/ FDD, Dry Bulb - Horizontal	ALL	ACC-SVN311*-EN
BAYHZCN301*	Economizer Conversion Kit	ALL	ACC-SVN308*-EN
BAYENTH305*	Reference Enthalpy Kit ①	ALL	ACC-SVN309*-EN
BAYENTH306*	Comparative Enthalpy Kit ①	ALL	ACC-SVN310*-EN
BAYPWRX303*	Power Exhaust, 3-5T DF, 208-230V	208-230V Models	ACC-SVN305*-EN
BAYPWRX304*	Power Exhaust, 3-5T DF, 460V	460V Models	ACC-SVN305*-EN
BAYPWRX305*	Power Exhasut, 3-5T DF, 575V	575V Models	ACC-SVN305*-EN
BAYDFDB001*	Differential Drybulb Economizer Control	ALL	ACC-SVN296*-EN
BAYFILT301*	MERV 13 Filter Kit	ALL	ACC-SVN313*-EN
BAYSCCM001*	Symbio Customer Connection Module	ALL	ACC-SVN295*-EN
BAYOPTN001*	Options Module	ALL	ACC-SVN294*-EN
BAYOPTN002*	Fresh Air Options Module	ALL	ACC-SVN293*-EN

① May require additional options module

\*\*Information is subject to change. Please confirm current product data within respective catalogs, IOMs or Trane Select Assist



It's Hard To Stop A Trane.®



Beveled Top  
Smoother Design  
Small compact cabinet  
Recessed access handles

# Precedent™ Packaged Gas/Electric Convertible 3-5 Tons, R-410A

## Standard Features:

- Operating Charge of R-410A
- Trane scroll compressors on all 3-5 ton units
- Colored and numbered wiring
- Phase Monitor, R-410A, 3 Phase Units
- Provisions for through the Base Gas and Condensate Drain Connections
- Crankcase Heaters
- 2" throwaway filters provided on all units
- Liquid Line Refrigerant Drier
- IAQ Sloped Drain Pans
- Low Ambient to 40°F on Electromechanical models
- Low Ambient to 0°F on ReliaTel™ models
- 5 - year Limited Compressor Warranty
- 5 - year Limited Heat Exchanger Warranty
- 1 - year Limited Parts Warranty

## Added Flexibility

- Electromechanical or ReliaTel™ controls (See page LPC-9 for ReliaTel™ Control Information)
- Standard or high efficiency cooling models available. 17+ available in 3-5T. For reference to 17+ please refer to publications RT-PRC048-EN and RT-SLB020-EN.
- Low, medium or high heat, single or two stage
- Convertible airflow
- Fork lift openings on three sides of unit
- Direct or belt drive - standard or oversized motors
- We don't prepackage options
- Choose options tailored to suit each job — pay only for what is needed
- Units ship with options installed — and within our standard ship cycle time

## Factory Installed Options

- Through-the-Base — Electrical
- Convenience Outlet — Powered and/or unpowered
- Unit Disconnect Switch
- Circuit Breaker
- Smoke Detectors — Supply, return, or both
- Condenser Coil Coating
- Hinged Access Service Panels
- Discharge Air Sensor
- Fan Fail and Clogged Filter Switches
- Condenser Coil Guard — Hail Protection Quality
- Hot Gas Reheat Coil - Dehumidification (High Efficiency Units Only)
- Expansion valve and split face evaporator coil
- TCI (Trane Communications Interface)
- LonTalk® (Communications Interface)
- BACnet™ (Communications Interface)
- 2" Pleated Media filters (MERV 8 & 13)
- Froststat
- Multi-Speed & Single Zone VAV ID Airflow
- Demand Control Ventilation
- Stainless Steel Drainpan
- Condensate Drainpan Overflow Switch

The same Trane Quality and Reliability ... with added Flexibility!

For complete equipment / combination selections, installation instructions and warranty information, please refer to Product Data/Ratings and/or Installers Guides and Limited Warranty Handbooks.

R-410A LPG-1

Effective 1/1/26  
22-8301-39

Light Commercial  
Packaged Gas/Electric - R-410A



It's Hard To Stop A Trane.®

# Precedent™ Packaged Gas/Electric Convertible 3-5 Tons, 17 SEER, R-410A

Table R-410A-LPG-2-A – Precedent™ 17 Plus – ReliaTel™ Controls Only

Tons	Unit Ordering No.	Performance SEER	Cooling Capacity (Btuh)	Heating Output <sup>①</sup> Capacity (Btuh)	S.S. Furnace Eff%	Cabinet Dimensions (in.) H x W x L	Downflow Supply	Downflow Return	Shipping Weight (lbs.)	MCA**	Max. Fuse**
<b>YHC - 208-230/3/60 - Three Phase - Low Heat ②</b>											
3	YHC037E3RLA005D	17.5	36,500	48,000	78	36 x 44 x 69	18 x 15.5	24 x 14	676	24	30
4	YHC047E3RLA005D	17.5	50,500	49,000	80	41 x 53 x 88	33 x 17.5	32 x 17.5	858	30	40
5	YHC067E3RLA005D	17.2	60,000	49,000	80	41 x 53 x 88	33 x 17.5	32 x 17.5	917	33	45
<b>YHC - 460/3/60 - Three Phase - Low Heat ②</b>											
3	YHC037E4RLA005D	17.5	36,500	48,000	78	36 x 44 x 69	18 x 15.5	24 x 14	676	12	15
4	YHC047E4RLA005D	17.5	50,500	49,000	80	41 x 53 x 88	33 x 17.5	32 x 17.5	858	14	20
5	YHC067E4RLA005D	17.2	60,000	49,000	80	41 x 53 x 88	33 x 17.5	32 x 17.5	917	16	20
<b>YHC - 575/3/60 - Three Phase - Low Heat ②</b>											
3	YHC037EWRLA005D	17.5	36,500	48,000	78	36 x 44 x 69	18 x 15.5	24 x 14	676	9	15
4	YHC047EWRLA005D	17.5	50,500	49,000	80	41 x 53 x 88	33 x 17.5	32 x 17.5	858	11	15
5	YHC067EWRLA005D	17.2	60,000	49,000	80	41 x 53 x 88	33 x 17.5	32 x 17.5	917	12	15
<b>YHC - 208-230/3/60 - Three Phase - Medium Heat ②</b>											
3	YHC037E3RMA005D	17.5	36,500	64,000	78	36 x 44 x 69	18 x 15.5	24 x 14	676	24	30
4	YHC047E3RMA005D	17.5	50,500	64,000	80	41 x 53 x 88	33 x 17.5	32 x 17.5	858	30	40
5	YHC067E3RMA005D	17.2	60,000	64,000	80	41 x 53 x 88	33 x 17.5	32 x 17.5	917	33	45
<b>YHC - 460/3/60 - Three Phase - Medium Heat ②</b>											
3	YHC037E4RMA005D	17.5	36,500	64,000	78	36 x 44 x 69	18 x 15.5	24 x 14	676	12	15
4	YHC047E4RMA005D	17.5	50,500	64,000	80	41 x 53 x 88	33 x 17.5	32 x 17.5	858	14	20
5	YHC067E4RMA005D	17.2	60,000	64,000	80	41 x 53 x 88	33 x 17.5	32 x 17.5	917	16	20
<b>YHC - 575/3/60 - Three Phase - Medium Heat ②</b>											
3	YHC037EWRMA005D	17.5	36,500	64,000	78	36 x 44 x 69	18 x 15.5	24 x 14	676	9	15
4	YHC047EWRMA005D	17.5	50,500	64,000	80	41 x 53 x 88	33 x 17.5	32 x 17.5	858	11	15
5	YHC067EWRMA005D	17.2	60,000	64,000	80	41 x 53 x 88	33 x 17.5	32 x 17.5	917	12	15
<b>YHC - 208-230/3/60 - Three Phase - High Heat ②</b>											
3	YHC037E3RMA005D	17.5	36,500	80,000	78	36 x 44 x 69	18 x 15.5	24 x 14	676	24	30
4	YHC047E3RMA005D	17.5	50,500	96,000	80	41 x 53 x 88	33 x 17.5	32 x 17.5	858	30	40
5	YHC067E3RMA005D	17.2	60,000	104,000	80	41 x 53 x 88	33 x 17.5	32 x 17.5	917	33	45
<b>YHC - 460/3/60 - Three Phase - High Heat ②</b>											
3	YHC037E4RMA005D	17.5	36,500	80,000	78	36 x 44 x 69	18 x 15.5	24 x 14	676	12	15
4	YHC047E4RMA005D	17.5	50,500	96,000	80	41 x 53 x 88	33 x 17.5	32 x 17.5	858	14	20
5	YHC067E4RMA005D	17.2	60,000	104,000	80	41 x 53 x 88	33 x 17.5	32 x 17.5	917	16	20
<b>YHC - 575/3/60 - Three Phase - High Heat ②</b>											
3	YHC037EWRMA005D	17.5	36,500	80,000	78	36 x 44 x 69	18 x 15.5	24 x 14	676	9	15
4	YHC047EWRMA005D	17.5	50,500	96,000	80	41 x 53 x 88	33 x 17.5	32 x 17.5	858	11	15
5	YHC067EWRMA005D	17.2	60,000	104,000	80	41 x 53 x 88	33 x 17.5	32 x 17.5	917	12	15

005D = Includes Factory-Installed Hail Guards

① Downflow Airflow/Horizontal Airflow

② Precedent R-410A YSC/YHC accessory part numbers are now orderable as aftermarket kits. Some exceptions may apply.

\*\* Information subject to change. Please confirm with current Product Data/Service Facts for current factory production.



# Precedent™ Packaged Gas/Electric Convertible 3-5 Tons, 15 SEER, R-410A

Table R-410A-LPG-3-A - Base Unit - 15 SEER High Efficiency - Electromechanical or ReliaTel™

Tons	Unit Ordering No.	Performance SEER	Cooling Capacity (Btuh)	Heating Output <sup>①</sup> Capacity (Btuh)	AFUE/S.S. Furnace Eff%	Cabinet Dimensions (in.) H x W x L	Downflow Supply	Downflow Return	Shipping Weight (lbs.)	MCA**	Max. Fuse**
<b>YHC - 208-230/3/60 - Three Phase - Low Heat ②</b>											
3	YHC036E3*LA005D	15.0	37,600	48,000	78	36 x 44 x 69	18 x 15.5	24 x 14	637	21	30
4	YHC048F3*LA005D	15.0	49,930	49,000	80	41 x 53 x 88	33 x 17.5	32 x 17.5	869	26	35
5	YHC060F3*LA005D	15.0	61,000	49,000	80	41 x 53 x 88	33 x 17.5	32 x 17.5	894	30	45
<b>YHC - 460/3/60 - Three Phase - Low Heat ②</b>											
3	YHC036E4*LA005D	15.0	37,600	48,000	78	36 x 44 x 69	18 x 15.5	24 x 14	637	12	15
4	YHC048F4*LA005D	15.0	49,930	49,000	80	41 x 53 x 88	33 x 17.5	32 x 17.5	869	13	15
5	YHC060F4*LA005D	15.0	61,000	49,000	80	41 x 53 x 88	33 x 17.5	32 x 17.5	894	14	20
<b>YHC - 575/3/60 - Three Phase - Low Heat ②</b>											
3	YHC036EW*LA005D	14.4	37,600	48,000	78	36 x 44 x 69	18 x 15.5	24 x 14	637	10	15
4	YHC048FW*LA005D	15.0	49,930	49,000	80	41 x 53 x 88	33 x 17.5	32 x 17.5	869	11	15
5	YHC060FW*LA005D	15.0	61,000	49,000	80	41 x 53 x 88	33 x 17.5	32 x 17.5	894	11	15
<b>YHC - 208-230/3/60 - Three Phase - Medium Heat ②</b>											
3	YHC036E3*MA005D	15.0	37,600	64,000	78	36 x 44 x 69	18 x 15.5	24 x 14	676	21	30
4	YHC048F3*MA005D	15.0	49,930	64,000	79	41 x 53 x 88	33 x 17.5	32 x 17.5	858	26	35
5	YHC060F3*MA005D	15.0	61,000	64,000	79	41 x 53 x 88	33 x 17.5	32 x 17.5	917	30	45
<b>YHC - 460/3/60 - Three Phase - Medium Heat ②</b>											
3	YHC036E4*MA005D	15.0	37,600	64,000	78	36 x 44 x 69	18 x 15.5	24 x 14	676	12	15
4	YHC048F4*MA005D	15.0	49,930	64,000	79	41 x 53 x 88	33 x 17.5	32 x 17.5	858	13	15
5	YHC060F4*MA005D	15.0	61,000	64,000	79	41 x 53 x 88	33 x 17.5	32 x 17.5	917	14	20
<b>YHC - 575/3/60 - Three Phase - Medium Heat ②</b>											
3	YHC036EW*MA005D	14.4	37,600	64,000	78	36 x 44 x 69	18 x 15.5	24 x 14	676	10	15
4	YHC048FW*MA005D	15.0	49,930	64,000	79	41 x 53 x 88	33 x 17.5	32 x 17.5	858	11	15
5	YHC060FW*MA005D	15.0	61,000	64,000	79	41 x 53 x 88	33 x 17.5	32 x 17.5	917	11	15
<b>YHC - 208-230/3/60 - Three Phase - High Heat ②</b>											
3	YHC036E3*HA005D	15.0	37,600	96,000	78	36 x 44 x 69	18 x 15.5	24 x 14	676	21	30
4	YHC048F3*HA005D	15.0	49,930	96,000	79	41 x 53 x 88	33 x 17.5	32 x 17.5	858	26	35
5	YHC060F3*HA005D	15.0	61,000	104,000	80	41 x 53 x 88	33 x 17.5	32 x 17.5	917	30	45
<b>YHC - 460/3/60 - Three Phase - High Heat ②</b>											
3	YHC036E4*HA005D	15.0	37,600	96,000	78	36 x 44 x 69	18 x 15.5	24 x 14	676	12	15
4	YHC048F4*HA005D	15.0	49,930	96,000	79	41 x 53 x 88	33 x 17.5	32 x 17.5	858	13	15
5	YHC060F4*HA005D	15.0	61,000	104,000	80	41 x 53 x 88	33 x 17.5	32 x 17.5	917	14	20
<b>YHC - 575/3/60 - Three Phase - High Heat ②</b>											
3	YHC036EW*HA005D	14.4	37,600	96,000	78	36 x 44 x 69	18 x 15.5	24 x 14	676	10	15
4	YHC048FW*HA005D	15.0	49,930	96,000	79	41 x 53 x 88	33 x 17.5	32 x 17.5	858	11	15
5	YHC060FW*HA005D	15.0	61,000	104,000	80	41 x 53 x 88	33 x 17.5	32 x 17.5	917	11	15

005D = Includes Factory-Installed Hail Guards

① Downflow Airflow/Horizontal Airflow

② Precedent R-410A YSC/YHC accessory part numbers are now orderable as aftermarket kits. Some exceptions may apply.

\* Digit 9-E=Electromechanical or R=ReliaTel™.

\*\* Information subject to change. Please confirm with current Product Data/Service Facts for current factory production.



# Precedent™ Packaged Gas/Electric Convertible 3-5 Tons, 14 SEER, R-410A

Table R-410A-LPG-4-A - Base Unit - 14 SEER - Electromechanical or ReliaTel™

Tons	Unit Ordering No.	Performance SEER	Cooling Capacity (Btuh)	Heating Output <sup>①</sup> Capacity Lo/Hi (Btuh)	AFUE%	Cabinet Dimensions (in.) H x W x L	Downflow Supply	Downflow Return	Shipping Weight (lbs.)	MCA**	Max. Fuse**
<b>YSC - 208/230/3/60 - Three Phase - Low Heat ②</b>											
3	YSC036G3*LB005D	14.0	37,000	45,300/64,800	81	41 x 44 x 69	18 x 15.5	24 x 14	577	20	30
4	YSC048G3*LB005D	14.0	49,000	45,300/64,800	81	41 x 44 x 69	18 x 15.5	24 x 14	598	26	35
5	YSC060G3*LB005D	14.0	60,000	45,300/64,800	81	41 x 44 x 69	18 x 15.5	24 x 14	627	29	40
<b>YSC - 460/3/60 - Three Phase - Low Heat ②</b>											
3	YSC036G4*LB005D	14.0	37,000	44,800/64,000	81	41 x 44 x 69	18 x 15.5	24 x 14	577	10	15
4	YSC048G4*LB005D	14.0	49,000	44,800/64,000	81	41 x 44 x 69	18 x 15.5	24 x 14	598	11	15
5	YSC060G4*LB005D	14.0	60,000	44,800/64,000	81	41 x 44 x 69	18 x 15.5	24 x 14	627	13	15
<b>YSC - 575/3/60 - Three Phase - Low Heat ②</b>											
3	YSC036GW*LB005D	14.0	37,000	44,800/64,000	81	41 x 44 x 69	18 x 15.5	24 x 14	577	8	15
4	YSC048GW*LB005D	14.0	49,000	44,800/64,000	81	41 x 44 x 69	18 x 15.5	24 x 14	598	10	15
5	YSC060GW*LB005D	14.0	60,000	44,800/64,000	81	41 x 44 x 69	18 x 15.5	24 x 14	627	10	15
<b>YSC - 208/230/3/60 - Three Phase - Medium Heat ②</b>											
3	YSC036G3*MB005D	14.0	37,000	56,700/81,000	81	41 x 44 x 69	18 x 15.5	24 x 14	577	20	30
4	YSC048G3*MB005D	14.0	49,000	56,700/81,001	81	41 x 44 x 69	18 x 15.5	24 x 14	598	26	35
5	YSC060G3*MB005D	14.0	60,000	56,700/81,002	81	41 x 44 x 69	18 x 15.5	24 x 14	627	29	40
<b>YSC - 460/3/60 - Three Phase - Medium Heat ②</b>											
3	YSC036G4*MB005D	14.0	37,000	56,000/80,000	81	41 x 44 x 69	18 x 15.5	24 x 14	577	10	15
4	YSC048G4*MB005D	14.0	49,000	56,000/80,000	81	41 x 44 x 69	18 x 15.5	24 x 14	598	11	15
5	YSC060G4*MB005D	14.0	60,000	56,000/80,000	81	41 x 44 x 69	18 x 15.5	24 x 14	627	13	15
<b>YSC - 575/3/60 - Three Phase - Medium Heat ②</b>											
3	YSC036GW*MB005D	14.0	37,000	56,000/80,000	81	41 x 44 x 69	18 x 15.5	24 x 14	577	8	15
4	YSC048GW*MB005D	14.0	49,000	56,000/80,000	81	41 x 44 x 69	18 x 15.5	24 x 14	598	10	15
5	YSC060GW*MB005D	14.0	60,000	56,000/80,000	81	41 x 44 x 69	18 x 15.5	24 x 14	627	10	15
<b>YSC - 208/230/3/60 - Three Phase - High Heat ②</b>											
3	YSC036G3*HB005D	14.0	37,000	68,000/97,200	81	41 x 44 x 69	18 x 15.5	24 x 14	577	20	30
4	YSC048G3*HB005D	14.0	49,000	73,700/105,300	81	41 x 44 x 69	18 x 15.5	24 x 14	598	26	35
5	YSC060G3*HB005D	14.0	60,000	85,100/121,500	81	41 x 44 x 69	18 x 15.5	24 x 14	627	29	40
<b>YSC - 460/3/60 - Three Phase - High Heat ②</b>											
3	YSC036G4*HB005D	14.0	37,000	67,200/96,000	81	41 x 44 x 69	18 x 15.5	24 x 14	577	10	15
4	YSC048G4*HB005D	14.0	49,000	72,800/104,000	81	41 x 44 x 69	18 x 15.5	24 x 14	598	11	15
5	YSC060G4*HB005D	14.0	60,000	84,000/120,000	81	41 x 44 x 69	18 x 15.5	24 x 14	627	13	15
<b>YSC - 575/3/60 - Three Phase - High Heat ②</b>											
3	YSC036GW*HB005D	14.0	37,000	67,200/96,000	81	41 x 44 x 69	18 x 15.5	24 x 14	577	8	15
4	YSC048GW*HB005D	14.0	49,000	72,800/104,000	81	41 x 44 x 69	18 x 15.5	24 x 14	598	10	15
5	YSC060GW*HB005D	14.0	60,000	84,000/120,000	81	41 x 44 x 69	18 x 15.5	24 x 14	627	10	15

005D = Includes Factory-Installed Hail Guards

① Downflow Airflow/Horizontal Airflow

② Precedent R-410A YSC/YHC accessory part numbers are now orderable as aftermarket kits. Some exceptions may apply.

\* Digit 9-E=Electromechanical or R=ReliaTel™.

\*\* Information subject to change. Please confirm with current Product Data/Service Facts for current factory production.



# Precedent™ Packaged Gas/Electric Convertible 3-5 Tons, R-410A (Model Digit Numbers)

Digit	Description	Order Number	Digit	Description	Order Number
1-8	Main Assembly (see previous page)		20	Convenience Outlet	
9	Unit Controls			No Convenience Outlet .....	0
	Electromechanical .....	E		Unpowered Convenience Outlet.....	A
	ReliaTel™ Micro-processor .....	R		Powered Convenience Outlet (three-phase only)® .....	B
10	Heating Capacity		21	Communications Options <sup>③</sup>	
	Low.....	L		No Communications Interface .....	0
	Medium .....	M		Trane Communications Interface.....	1
	High.....	H		LonTalk® Communications Interface.....	2
	Low - Stainless Steel Heat Exchanger.....	X		BACnet™ Communications Interface .....	6
	Medium - Stainless Steel Heat Exchanger .....	Y	22	Refrigeration System Option	
	High - Stainless Steel Heat Exchanger.....	Z		Standard Refrigeration System <sup>①</sup> .....	0
11	Design Sequence	*		Dehumidification Option <sup>②②②</sup> .....	B
12-13	Service Sequence		23	Refrigeration Controls	
	First Sequence (Factory assigned).....	*,*		<i>Note: Applicable to Digit 7 = E, F.....</i>	
14	Fresh Air Selection			No Refrigeration Control <sup>⑤</sup> .....	0
	No Fresh Air .....	0		Frostat <sup>⑥⑥</sup> .....	1
	Manual Outside Air Damper 0-50% <sup>④</sup> .....	A	24	Smoke Detector <sup>®</sup>	
	Motorized Outside Air Damper 0-50% <sup>⑦</sup> .....	B		No Smoke Detector.....	0
	Economizer, Dry Bulb 0-100%			Return Air Smoke Detector <sup>①②</sup> .....	A
	without Barometric Relief <sup>⑧</sup> .....	C		Supply Air Smoke Detector.....	B
	Economizer, Dry Bulb 0-100% with Barometric Relief <sup>⑧</sup> ..	D		Supply and Return Air Smoke Detectors <sup>①②</sup> .....	C
	Economizer, Reference Enthalpy 0-100%			Plenum Smoke Detector.....	D
	without Barometric Relief <sup>⑧⑧</sup> .....	E	25	System Monitoring Controls	
	Economizer, Reference Enthalpy 0-100%			No Monitoring Control <sup>⑩</sup> .....	0
	with Barometric Relief <sup>⑧⑧</sup> .....	F		Clogged Filter Switch <sup>⑩</sup> .....	1
	Economizer, Comparative Enthalpy 0-100%			Fan Failure Switch <sup>⑩</sup> .....	2
	without Barometric Relief <sup>⑧⑧</sup> .....	G		Discharge Air SensingTube <sup>⑩</sup> .....	3
	Economizer, Comparative Enthalpy 0-100%			Clogged Filter Switch and Fan Failure Switch <sup>⑩</sup> .....	4
	with Barometric Relief <sup>⑧⑧</sup> .....	H		Clogged Filter Switch and Discharge Air SensingTube <sup>⑩</sup> .....	5
	Low Leak Economizer, Dry Bulb with Barometric Relief..	K		Fan Failure Switch and Discharge Air SensingTube <sup>⑩</sup> .....	6
	Low Leak Economizer, Comparative Enthalpy			Clogged Filter Switch, Fan Failure Switch and	
	with Barometric Relief.....	M		Discharge Air SensingTube <sup>⑩</sup> .....	7
	Low Leak Economizer, Reference Enthalpy			Condensate Drain Pan Overflow Switch.....	A
	with Barometric Relief.....	P		Clogged Filter Switch <sup>⑩</sup> and Condensate Drain Pan	
15	Supply Fan/Drive Type/Motor			Overflow Switch .....	B
	Standard Drive <sup>⑥</sup> .....	0		Fan Failure Switch <sup>⑩</sup> and Condensate Drain Pan	
	Oversized Motor .....	1		Overflow Switch .....	C
	Optional Belt Drive Motor <sup>⑦</sup> .....	2		Discharge Air Sensing <sup>⑩</sup> and Condensate Drain Pan	
	Single Zone VAV <sup>⑧</sup> .....	6		Overflow Switch .....	D
	Multi-Speed Indoor Fan <sup>⑨</sup> .....	7		Clogged Filter Switch <sup>⑩</sup> , Fan Failure Switch <sup>⑩</sup>	
	VAV Supply Air Temperature Control Standard Motor <sup>⑩</sup> .....	E		and Condensate Drain Pan Overflow Switch.....	E
16	Hinged Service Access/Filters			Clogged Filter Switch <sup>⑩</sup> , Discharge Air SensingTube <sup>⑩</sup>	
	Standard Panels/Standard Filters.....	0		and Condensate Drain Pan Overflow Switch.....	F
	Hinged Access Panels/Standard Filters.....	A		Fan Failure Switch, Discharge Air SensingTube <sup>⑩</sup>	
	Standard Panels/2" MERV 8 Filters.....	B		and Condensate Drain Pan Overflow Switch.....	G
	Hinged Access Panels/2" MERV 8 Filters .....	C		Clogged Filter Switch <sup>⑩</sup> , Fan Failure Switch <sup>⑩</sup> ,	
	Standard Panels/2" MERV 13 Filters .....	D		Discharge Air Sensing <sup>⑩</sup> and Condensate Drain Pan	
	Hinged Access Panels/2" MERV 13 Filters.....	E		Overflow Switch .....	H
17	Condenser Coil Protection		26	System Monitoring Controls	
	Standard Coil.....	0		No Monitoring Controls .....	0
	Standard Coil with Hail Guard.....	1		Demand Control Ventilation (CO <sub>2</sub> ) <sup>⑪⑪</sup> .....	A
	Black Epoxy Pre-Coated Condenser Coil <sup>⑫</sup> .....	2	27	Unit Hardware Enhancements	
	Black Epoxy Pre-Coated Condenser Coil			No Enhancements.....	0
	with Hail Guard <sup>⑫</sup> .....	3		Stainless Steel Drain Pan .....	1
	CompleteCoat™ Condenser Coil .....	4	31	Advanced Unit Controls	
	CompleteCoat™ Condenser Coil with Hail Guard .....	5		Standard Unit Controls .....	0
18	Through the Base Provisions			Human Interface .....	1
	<i>Note: Applicable to Digit 1, T or Y models</i>				
	No Through-the-Base Provisions .....	0			
	Through-the-Base Electric <sup>⑬</sup> .....	A			
	<i>Note: Applicable to Digit 1, Y models only.....</i>				
	Through-the-Base Gas Piping <sup>⑬</sup> .....	B			
	Through-the-Base Electric and Gas Piping <sup>⑬</sup> .....	C			
19	Disconnect/Circuit Breaker (three-phase only)				
	No Disconnect/No Circuit Breaker.....	0			
	Unit Mounted Non-Fused Disconnect <sup>⑭</sup> .....	1			
	Unit Mounted Circuit Breaker <sup>⑭</sup> .....	2			

See Footnotes ①-⑭ next page.

For complete equipment / combination selections, installation instructions and warranty information, please refer to Product Data/Ratings and/or Installers Guides and Limited Warranty Handbooks.

R-410A LPG-5

Effective 1/1/26  
22-8301-39

Light Commercial  
Packaged Gas/Electric - R-410A



It's Hard To Stop A Trane.®

# Precedent™ Packaged Gas/Electric Convertible 3-5 Tons, R-410A (Model Digit Numbers)

- ① Available on 3-5 Ton models.
- ② Standard on 4-5 Ton E3,4,W and all High Efficiency models
- ③ Not available with electromechanical controls.
- ④ Manual outside air damper will ship factory supplied within the unit, but must be field installed.
- ⑤ High pressure control is standard on all units.
- ⑥ On 3-5 ton, multispeed direct drive is standard on single phase and 15 SEER.
- ⑦ Economizer with Barometric Relief is for downflow configured units only. Order Economizer without Barometric Relief for horizontal configuration. Barometric Relief for horizontal configured units must be ordered as field installed accessory.
- ⑧ Through the base electric required when ordering disconnect/circuit breaker options.
- ⑨ Requires use of Disconnect or Circuit Breaker.

## Digit 15 Selection Details

### Digit 15 = 0

#### Standard Efficiency

3 Phase (3 to 5 Ton) = Multispeed Direct Drive Motor

#### High Efficiency

1 Phase = High Efficiency Multispeed Direct Drive Motor

3 Phase (3 to 5 ton) = High Efficiency Multispeed Direct Drive Motor

3 Phase (3 to 5 ton w/Dehumidification) = Belt Drive Motor

### Digit 15 = 2

#### Standard Efficiency

3 Phase = Not Available

#### High Efficiency

1 Phase = Not Available

#### Not Available

High Efficiency: 3-5 ton w/Standard Indoor Motor w/460V

- ⑩ Standard metering devices are TXVs.
- ⑪ Frostat cannot be field installed in electro-mechanical units.
- ⑫ The return air smoke detector may not fit up or work properly on the Precedent units when used in conjunction with 3rd party accessories such as bolt on heat wheels, economizers and power exhaust. Do not order the return air smoke detectors when using this type of accessory.

- ⑬ Return Air Smoke Detector cannot be ordered with Novar Controls.
- ⑭ These options are standard when ordering Novar Controls.
- ⑮ This option is used when ordering Novar Controls.
- ⑯ Includes gas piping and shutoff (field assembly required).
- ⑰ Not available with high temperature duct sensor accessory.
- ⑱ Digit 15 = 2
- ⑲ Novar Sensor utilized with Digit 21 = (4) Novar 3051 Controls without Zone Sensor.
- ⑳ Available for T/Y 10 ton standard efficiency models only.
- ㉑ Available for T/Y 3, 4, 5, 6, 7½, 8½ ton standard/high efficiency models only.
- ㉒ Requires selection of 2" Pleated Filters (option B or C) for Digit 16.
- ㉓ Not available on 6 ton units and all single phase or standard efficiency.
- ㉔ Standard on T/YSC 6, 7½ (single and dual systems), 8½, 10 ton standard efficiency models and T/YHC 4, 5, 6, 7½ ton high efficiency models (except for dehumidification models).
- ㉕ Standard on T/YSC 6 (single and dual systems) ton standard efficiency models and T/YHC 4, 5, ton high efficiency models (except for dehumidification models)
- ㉖ Epoxy coil and epoxy with hailguard options are not available for units with microchannel condenser coil.
- ㉗ N/A
- ㉘ N/A
- ㉙ Motorized Outside Air Damper is not available on Multi-Speed or SZVAV (Single Zone Variable Air Volume) products.
- ㉚ Frostat standard on Multi-Speed and SZVAV (Single Zone Variable Air Volume) products.
- ㉛ Novar is not available with SZVAV products.
- ㉜ Demand Control Ventilation not available with electromechanical controls.
- ㉝ Demand Control Ventilation Option includes wiring only. The CO<sub>2</sub> sensor is a field-installed only option.
- ㉞ When ordering Dehumidification option, digit #7 will revert back to E, not F.



# Precedent™ Packaged Gas/Electric with Symbio™ Convertible 6-25 Tons, R-410A



Small compact cabinet  
Recessed access handles



## Standard Features:

- Operating Charge of R-410A
- Symbio 700 controller
- MultiSpeed Indoor
- Manifolder scroll compressors
- 6-17.5 tons = 3 stages of cooling; 20-25 tons = 4 stages of cooling
- Microchannel condenser and evaporator coils
- Colored, keyed, and numbered wiring
- Froststat
- Phase monitor
- Coil/Hailguards
- Crankcase heaters on all compressors
- 2" filters
- Backward curved direct drive plenum supply fan
- Liquid line refrigerant drier
- Composite dual sloped drain pans
- Low Ambient cooling to 40°F
- 5 - year Limited Compressor Warranty
- 3 - year Limited Parts Warranty
- 10 - year Limited Aluminized Steel Heat Exchanger Warranty

## Added Flexibility

- Standard or high efficiency cooling models available.
- Convertible airflow (ships in downflow application)
- 2" filters included
- Fork lift openings on three sides of unit
- Choose options tailored to suit each job — pay only for what is needed
- Units ship with options installed — and within our standard ship cycle time
- Low Ambient cooling to 0°F

## Factory Installed Options

- Outdoor air dampers (manual or motorized)
- Economizers (Base or Low Leak)
- Dry Bulb, Reference Enthalpy, Comparative Enthalpy, or Differential Dry Bulb economizer control options
- Stainless steel tubular heat exchanger
- Through-the-Base — Electrical and/or Gas
- Convenience Outlet — Powered or unpowered
- Unit Disconnect Switch
- Smoke Detectors — Supply, return, or both
- Condenser Coil Coating
- Hinged Access Service Panels
- Discharge Air Sensor
- Clogged Filter Switch
- Dehumidification (Modulating Hot Gas Reheat)
- Symbio 700 BACnet® communication interface license
- Symbio 700 LonTalk® communication interface license
- 2" MERV 8 filters or 2" MERV 13 filters
- Single Zone or Multiple Zone VAV Indoor Airflow
- Demand Control Ventilation
- Stainless Steel Drainpan
- Condensate Drainpan Overflow Switch



# Precedent™ Packaged Gas/Electric with Symbio™ Convertible 6 - 25 Tons, R-410A

**Table R-410A-LPG-8-A – Base Unit – High Efficiency – Symbio**

Tons	Unit Ordering No.	Performance IEER(2-speed)/EER	Gross Cooling Capacity (Btuh)	Cabinet Dimensions (in.) H x W x L	Cabinet	Shipping Weight (lbs.)	MCA**	Max Fuse**
<b>YHJ – 208-230/3/60 – Three Phase - Low Heat</b>								
6	YHJ072A3SOL0000	15.9/12.1	73,000	50 <sup>7</sup> / <sub>8</sub> x 53 <sup>1</sup> / <sub>4</sub> x 88 <sup>1</sup> / <sub>4</sub>	B	1107	38	50
7.5	YHJ090A3SOL0000	16.6/12.1	91,000	50 <sup>7</sup> / <sub>8</sub> x 53 <sup>1</sup> / <sub>4</sub> x 88 <sup>1</sup> / <sub>4</sub>	B	1111	42	50
8.5	YHJ102A3SOL0000	16.6/12.1	104,000	50 <sup>7</sup> / <sub>8</sub> x 53 <sup>1</sup> / <sub>4</sub> x 88 <sup>1</sup> / <sub>4</sub>	B	1127	48	60
10	YHJ120A3SOL0000	15.1/11.4	123,000	50 <sup>7</sup> / <sub>8</sub> x 53 <sup>1</sup> / <sub>4</sub> x 88 <sup>1</sup> / <sub>4</sub>	B	1137	54	70
12.5	YHJ150B3SOL0000	15.3/10.8	145,000	50 <sup>7</sup> / <sub>8</sub> x 63 <sup>1</sup> / <sub>8</sub> x 99 <sup>5</sup> / <sub>8</sub>	C	1512	67	90
15	YHJ180A3SOL0000	17.5/11.9	185,000	59 x 87 x 123	D	2220	78	100
17.5	YHJ210A3SOL0000	15.7/11.6	215,000	59 x 87 x 123	D	2250	93	125
20	YHJ240A3SOL0000	16.3/10.8	247,000	59 x 87 x 123	D	2320	108	125
25	YHJ300A3SOL0000	15.6/10.6	282,000	59 x 87 x 123	D	2370	119	150
<b>YHJ – 460/3/60 – Three Phase - Low Heat</b>								
6	YHJ072A4SOL0000	15.9/12.1	73,000	50 <sup>7</sup> / <sub>8</sub> x 53 <sup>1</sup> / <sub>4</sub> x 88 <sup>1</sup> / <sub>4</sub>	B	1107	21	20
7.5	YHJ090A4SOL0000	16.6/12.1	91,000	50 <sup>7</sup> / <sub>8</sub> x 53 <sup>1</sup> / <sub>4</sub> x 88 <sup>1</sup> / <sub>4</sub>	B	1111	21	25
8.5	YHJ102A4SOL0000	16.6/12.1	104,000	50 <sup>7</sup> / <sub>8</sub> x 53 <sup>1</sup> / <sub>4</sub> x 88 <sup>1</sup> / <sub>4</sub>	B	1127	25	30
10	YHJ120A4SOL0000	15.1/11.4	123,000	50 <sup>7</sup> / <sub>8</sub> x 53 <sup>1</sup> / <sub>4</sub> x 88 <sup>1</sup> / <sub>4</sub>	B	1137	29	40
12.5	YHJ150B4SOL0000	15.3/10.8	145,000	50 <sup>7</sup> / <sub>8</sub> x 63 <sup>1</sup> / <sub>8</sub> x 99 <sup>5</sup> / <sub>8</sub>	C	1512	31	40
15	YHJ180A4SOL0000	17.5/11.9	185,000	59 x 87 x 123	D	2220	41	50
17.5	YHJ210A4SOL0000	15.7/11.6	215,000	59 x 87 x 123	D	2250	49	60
20	YHJ240A4SOL0000	16.3/10.8	247,000	59 x 87 x 123	D	2320	54	70
25	YHJ300A4SOL0000	15.6/10.6	282,000	59 x 87 x 123	D	2370	59	80
<b>YHJ – 575/3/60 – Three Phase - Low Heat</b>								
6	YHJ072AWSOL0000	15.9/12.1	73,000	50 <sup>7</sup> / <sub>8</sub> x 53 <sup>1</sup> / <sub>4</sub> x 88 <sup>1</sup> / <sub>4</sub>	B	1107	17	15
7.5	YHJ090AWSOL0000	16.6/12.1	91,000	50 <sup>7</sup> / <sub>8</sub> x 53 <sup>1</sup> / <sub>4</sub> x 88 <sup>1</sup> / <sub>4</sub>	B	1111	17	20
8.5	YHJ102AWSOL0000	16.6/12.1	104,000	50 <sup>7</sup> / <sub>8</sub> x 53 <sup>1</sup> / <sub>4</sub> x 88 <sup>1</sup> / <sub>4</sub>	B	1127	19	25
10	YHJ120AWSOL0000	15.1/11.4	123,000	50 <sup>7</sup> / <sub>8</sub> x 53 <sup>1</sup> / <sub>4</sub> x 88 <sup>1</sup> / <sub>4</sub>	B	1137	22	30
12.5	YHJ150BWSOL0000	15.3/10.8	145,000	50 <sup>7</sup> / <sub>8</sub> x 63 <sup>1</sup> / <sub>8</sub> x 99 <sup>5</sup> / <sub>8</sub>	C	1512	24	30
15	YHJ180AWSOL0000	17.5/11.9	185,000	59 x 87 x 123	D	2220	32	40
17.5	YHJ210AWSOL0000	15.7/11.6	215,000	59 x 87 x 123	D	2250	37	50
20	YHJ240AWSOL0000	16.3/10.8	247,000	59 x 87 x 123	D	2320	47	60
25	YHJ300AWSOL0000	15.6/10.6	282,000	59 x 87 x 123	D	2370	46	60
<b>YHJ – 208-230/3/60 – Three Phase - Medium Heat</b>								
6	YHJ072A3SOM0000	15.9/12.1	73,000	50 <sup>7</sup> / <sub>8</sub> x 53 <sup>1</sup> / <sub>4</sub> x 88 <sup>1</sup> / <sub>4</sub>	B	1107	38	50
7.5	YHJ090A3SOM0000	16.6/12.1	91,000	50 <sup>7</sup> / <sub>8</sub> x 53 <sup>1</sup> / <sub>4</sub> x 88 <sup>1</sup> / <sub>4</sub>	B	1111	42	50
8.5	YHJ102A3SOM0000	16.6/12.1	104,000	50 <sup>7</sup> / <sub>8</sub> x 53 <sup>1</sup> / <sub>4</sub> x 88 <sup>1</sup> / <sub>4</sub>	B	1127	48	60
10	YHJ120A3SOM0000	15.1/11.4	123,000	50 <sup>7</sup> / <sub>8</sub> x 53 <sup>1</sup> / <sub>4</sub> x 88 <sup>1</sup> / <sub>4</sub>	B	1137	54	70
12.5	YHJ150B3SOM0000	15.3/10.8	145,000	50 <sup>7</sup> / <sub>8</sub> x 63 <sup>1</sup> / <sub>8</sub> x 99 <sup>5</sup> / <sub>8</sub>	C	1512	67	90
15	YHJ180A3SOM0000	17.5/11.9	185,000	59 x 87 x 123	D	2220	78	100
17.5	YHJ210A3SOM0000	15.7/11.6	215,000	59 x 87 x 123	D	2250	93	125
20	YHJ240A3SOM0000	16.3/10.8	247,000	59 x 87 x 123	D	2320	108	125
25	YHJ300A3SOM0000	15.6/10.6	282,000	59 x 87 x 123	D	2370	119	150
<b>YHJ – 460/3/60 – Three Phase - Medium Heat</b>								
6	YHJ072A4SOM0000	15.9/12.1	73,000	50 <sup>7</sup> / <sub>8</sub> x 53 <sup>1</sup> / <sub>4</sub> x 88 <sup>1</sup> / <sub>4</sub>	B	1107	21	20
7.5	YHJ090A4SOM0000	16.6/12.1	91,000	50 <sup>7</sup> / <sub>8</sub> x 53 <sup>1</sup> / <sub>4</sub> x 88 <sup>1</sup> / <sub>4</sub>	B	1111	21	25
8.5	YHJ102A4SOM0000	16.6/12.1	104,000	50 <sup>7</sup> / <sub>8</sub> x 53 <sup>1</sup> / <sub>4</sub> x 88 <sup>1</sup> / <sub>4</sub>	B	1127	25	30
10	YHJ120A4SOM0000	15.1/11.4	123,000	50 <sup>7</sup> / <sub>8</sub> x 53 <sup>1</sup> / <sub>4</sub> x 88 <sup>1</sup> / <sub>4</sub>	B	1137	29	40
12.5	YHJ150B4SOM0000	15.3/10.8	145,000	50 <sup>7</sup> / <sub>8</sub> x 63 <sup>1</sup> / <sub>8</sub> x 99 <sup>5</sup> / <sub>8</sub>	C	1512	31	40
15	YHJ180A4SOM0000	17.5/11.9	185,000	59 x 87 x 123	D	2220	41	50
17.5	YHJ210A4SOM0000	15.7/11.6	215,000	59 x 87 x 123	D	2250	49	60
20	YHJ240A4SOM0000	16.3/10.8	247,000	59 x 87 x 123	D	2320	54	70
25	YHJ300A4SOM0000	15.6/10.6	282,000	59 x 87 x 123	D	2370	59	80
<b>YHJ – 575/3/60 – Three Phase - Medium Heat</b>								
6	YHJ072AWSOM0000	15.9/12.1	73,000	50 <sup>7</sup> / <sub>8</sub> x 53 <sup>1</sup> / <sub>4</sub> x 88 <sup>1</sup> / <sub>4</sub>	B	1107	17	15
7.5	YHJ090AWSOM0000	16.6/12.1	91,000	50 <sup>7</sup> / <sub>8</sub> x 53 <sup>1</sup> / <sub>4</sub> x 88 <sup>1</sup> / <sub>4</sub>	B	1111	17	20
8.5	YHJ102AWSOM0000	16.6/12.1	104,000	50 <sup>7</sup> / <sub>8</sub> x 53 <sup>1</sup> / <sub>4</sub> x 88 <sup>1</sup> / <sub>4</sub>	B	1127	19	25
10	YHJ120AWSOM0000	15.1/11.4	123,000	50 <sup>7</sup> / <sub>8</sub> x 53 <sup>1</sup> / <sub>4</sub> x 88 <sup>1</sup> / <sub>4</sub>	B	1137	22	30
12.5	YHJ150BWSOM0000	15.3/10.8	145,000	50 <sup>7</sup> / <sub>8</sub> x 63 <sup>1</sup> / <sub>8</sub> x 99 <sup>5</sup> / <sub>8</sub>	C	1512	24	30
15	YHJ180AWSOM0000	17.5/11.9	185,000	59 x 87 x 123	D	2220	32	40
17.5	YHJ210AWSOM0000	15.7/11.6	215,000	59 x 87 x 123	D	2250	37	50
20	YHJ240AWSOM0000	16.3/10.8	247,000	59 x 87 x 123	D	2320	47	60
25	YHJ300AWSOM0000	15.6/10.6	282,000	59 x 87 x 123	D	2370	46	60

0000 = Includes Factory-Installed Hail Guards and Multi-Speed Motor

\*\* Information subject to change. Please confirm with current product catalog Or IOM for current factory production.

For complete equipment / combination selections, installation instructions and warranty information, please refer to Product Data/Ratings and/or Installers Guides and Limited Warranty Handbooks.

R-410A LPG-8

Effective 1/1/26  
22-8301-39



# Precedent™ Packaged Gas/Electric with Symbio™ Convertible 6 - 25 Tons, R-410A

Table R-410A-LPG-9-A – Base Unit– High Efficiency – Symbio

Tons	Unit Ordering No.	Performance IEER(2-speed)/EER	Gross Cooling Capacity (Btuh)	Cabinet Dimensions (in.) H x W x L	Cabinet	Shipping Weight (lbs.)	MCA**	Max Fuse**
<b>YHJ – 208-230/3/60 – Three Phase - High Heat</b>								
6	YHJ072A3S0H0000	15.9/12.1	73,000	50 <sup>7</sup> / <sub>8</sub> x 53 <sup>1</sup> / <sub>4</sub> x 88 <sup>1</sup> / <sub>4</sub>	B	1107	38	50
7.5	YHJ090A3S0H0000	16.6/12.1	91,000	50 <sup>7</sup> / <sub>8</sub> x 53 <sup>1</sup> / <sub>4</sub> x 88 <sup>1</sup> / <sub>4</sub>	B	1111	42	50
8.5	YHJ102A3S0H0000	16.6/12.1	104,000	50 <sup>7</sup> / <sub>8</sub> x 53 <sup>1</sup> / <sub>4</sub> x 88 <sup>1</sup> / <sub>4</sub>	B	1127	48	60
10	YHJ120A3S0H0000	15.1/11.4	123,000	50 <sup>7</sup> / <sub>8</sub> x 53 <sup>1</sup> / <sub>4</sub> x 88 <sup>1</sup> / <sub>4</sub>	B	1137	54	70
12.5	YHJ150B3S0H0000	15.3/10.8	145,000	50 <sup>7</sup> / <sub>8</sub> x 63 <sup>1</sup> / <sub>8</sub> x 99 <sup>5</sup> / <sub>8</sub>	C	1512	67	90
15	YHJ180A3S0H0000	17.5/11.9	185,000	59 x 87 x 123	D	2220	78	100
17.5	YHJ210A3S0H0000	15.7/11.6	215,000	59 x 87 x 123	D	2250	93	125
20	YHJ240A3S0H0000	16.3/10.8	247,000	59 x 87 x 123	D	2320	108	125
25	YHJ300A3S0H0000	15.6/10.6	282,000	59 x 87 x 123	D	2370	119	150
<b>YHJ – 460/3/60 – Three Phase - High Heat</b>								
6	YHJ072A4S0H0000	15.9/12.1	73,000	50 <sup>7</sup> / <sub>8</sub> x 53 <sup>1</sup> / <sub>4</sub> x 88 <sup>1</sup> / <sub>4</sub>	B	1107	21	20
7.5	YHJ090A4S0H0000	16.6/12.1	91,000	50 <sup>7</sup> / <sub>8</sub> x 53 <sup>1</sup> / <sub>4</sub> x 88 <sup>1</sup> / <sub>4</sub>	B	1111	21	25
8.5	YHJ102A4S0H0000	16.6/12.1	104,000	50 <sup>7</sup> / <sub>8</sub> x 53 <sup>1</sup> / <sub>4</sub> x 88 <sup>1</sup> / <sub>4</sub>	B	1127	25	30
10	YHJ120A4S0H0000	15.1/11.4	123,000	50 <sup>7</sup> / <sub>8</sub> x 53 <sup>1</sup> / <sub>4</sub> x 88 <sup>1</sup> / <sub>4</sub>	B	1137	29	40
12.5	YHJ150B4S0H0000	15.3/10.8	145,000	50 <sup>7</sup> / <sub>8</sub> x 63 <sup>1</sup> / <sub>8</sub> x 99 <sup>5</sup> / <sub>8</sub>	C	1512	31	40
15	YHJ180A4S0H0000	17.5/11.9	185,000	59 x 87 x 123	D	2220	41	50
17.5	YHJ210A4S0H0000	15.7/11.6	215,000	59 x 87 x 123	D	2250	49	60
20	YHJ240A4S0H0000	16.3/10.8	247,000	59 x 87 x 123	D	2320	54	70
25	YHJ300A4S0H0000	15.6/10.6	282,000	59 x 87 x 123	D	2370	59	80
<b>YHJ – 575/3/60 – Three Phase – High Heat</b>								
6	YHJ072AWS0H0000	15.9/12.1	73,000	50 <sup>7</sup> / <sub>8</sub> x 53 <sup>1</sup> / <sub>4</sub> x 88 <sup>1</sup> / <sub>4</sub>	B	1107	17	15
7.5	YHJ090AWS0H0000	16.6/12.1	91,000	50 <sup>7</sup> / <sub>8</sub> x 53 <sup>1</sup> / <sub>4</sub> x 88 <sup>1</sup> / <sub>4</sub>	B	1111	17	20
8.5	YHJ102AWS0H0000	16.6/12.1	104,000	50 <sup>7</sup> / <sub>8</sub> x 53 <sup>1</sup> / <sub>4</sub> x 88 <sup>1</sup> / <sub>4</sub>	B	1127	19	25
10	YHJ120AWS0H0000	15.1/11.4	123,000	50 <sup>7</sup> / <sub>8</sub> x 53 <sup>1</sup> / <sub>4</sub> x 88 <sup>1</sup> / <sub>4</sub>	B	1137	22	30
12.5	YHJ150BWS0H0000	15.3/10.8	145,000	50 <sup>7</sup> / <sub>8</sub> x 63 <sup>1</sup> / <sub>8</sub> x 99 <sup>5</sup> / <sub>8</sub>	C	1512	24	30
15	YHJ180AWS0H0000	17.5/11.9	185,000	59 x 87 x 123	D	2220	32	40
17.5	YHJ210AWS0H0000	15.7/11.6	215,000	59 x 87 x 123	D	2250	37	50
20	YHJ240AWS0H0000	16.3/10.8	247,000	59 x 87 x 123	D	2320	47	60
25	YHJ300AWS0H0000	15.6/10.6	282,000	59 x 87 x 123	D	2370	46	60

0000 = Includes Factory-Installed Hail Guards and Multi-Speed Motor

\*\* Information subject to change. Please confirm with current product catalog Or IOM for current factory production.



# Precedent™ Packaged Gas/Electric with Symbio™ Convertible 6 - 25 Tons, R-410A

**Table R-410A-LPG-10-A – Base Unit – Standard Efficiency – Symbio**

Tons	Unit Ordering No.	Performance IEER(2-speed)/EER	Gross Cooling Capacity (Btuh)	Cabinet Dimensions (in.) H x W x L	Cabinet	Shipping Weight (lbs.)	MCA**	Max Fuse**
<b>YSJ – 208-230/3/60 – Three Phase – Low Heat</b>								
6	YSJ072A3S0L0000	14.6/11.0	73,000	50 <sup>7</sup> / <sub>8</sub> x 53 <sup>1</sup> / <sub>4</sub> x 88 <sup>1</sup> / <sub>4</sub>	B	1107	38	50
7.5	YSJ090A3S0L0000	14.6/11.0	91,000	50 <sup>7</sup> / <sub>8</sub> x 53 <sup>1</sup> / <sub>4</sub> x 88 <sup>1</sup> / <sub>4</sub>	B	1111	42	50
8.5	YSJ102A3S0L0000	14.6/11.0	104,000	50 <sup>7</sup> / <sub>8</sub> x 53 <sup>1</sup> / <sub>4</sub> x 88 <sup>1</sup> / <sub>4</sub>	B	1127	48	60
10	YSJ120A3S0L0000	14.6/11.0	123,000	50 <sup>7</sup> / <sub>8</sub> x 53 <sup>1</sup> / <sub>4</sub> x 88 <sup>1</sup> / <sub>4</sub>	B	1137	54	70
12.5	YSJ150B3S0L0000	14.0/10.8	145,000	50 <sup>7</sup> / <sub>8</sub> x 63 <sup>1</sup> / <sub>8</sub> x 99 <sup>5</sup> / <sub>8</sub>	C	1512	67	90
15	YSJ180A3S0L0000	14.0/10.8	185,000	59 x 87 x 123	D	2220	78	100
17.5	YSJ210A3S0L0000	14.0/10.8	215,000	59 x 87 x 123	D	2250	93	125
20	YSJ240A3S0L0000	13.0/9.8	247,000	59 x 87 x 123	D	2320	108	150
25	YSJ300A3S0L0000	13.0/9.8	282,000	59 x 87 x 123	D	2370	119	150
<b>YSJ – 460/3/60 – Three Phase – Low Heat</b>								
6	YSJ072A4S0L0000	14.6/11.0	73,000	50 <sup>7</sup> / <sub>8</sub> x 53 <sup>1</sup> / <sub>4</sub> x 88 <sup>1</sup> / <sub>4</sub>	B	1107	21	20
7.5	YSJ090A4S0L0000	14.6/11.0	91,000	50 <sup>7</sup> / <sub>8</sub> x 53 <sup>1</sup> / <sub>4</sub> x 88 <sup>1</sup> / <sub>4</sub>	B	1111	21	25
8.5	YSJ102A4S0L0000	14.6/11.0	104,000	50 <sup>7</sup> / <sub>8</sub> x 53 <sup>1</sup> / <sub>4</sub> x 88 <sup>1</sup> / <sub>4</sub>	B	1127	25	30
10	YSJ120A4S0L0000	14.6/11.0	123,000	50 <sup>7</sup> / <sub>8</sub> x 53 <sup>1</sup> / <sub>4</sub> x 88 <sup>1</sup> / <sub>4</sub>	B	1137	29	40
12.5	YSJ150B4S0L0000	14.0/10.8	145,000	50 <sup>7</sup> / <sub>8</sub> x 63 <sup>1</sup> / <sub>8</sub> x 99 <sup>5</sup> / <sub>8</sub>	C	1512	31	45
15	YSJ180A4S0L0000	14.0/10.8	185,000	59 x 87 x 123	D	2220	41	50
17.5	YSJ210A4S0L0000	14.0/10.8	215,000	59 x 87 x 123	D	2250	49	60
20	YSJ240A4S0L0000	13.0/9.8	247,000	59 x 87 x 123	D	2320	54	70
25	YSJ300A4S0L0000	13.0/9.8	282,000	59 x 87 x 123	D	2370	59	80
<b>YSJ – 575/3/60 – Three Phase – Low Heat</b>								
6	YSJ072AWS0L0000	14.6/11.0	73,000	50 <sup>7</sup> / <sub>8</sub> x 53 <sup>1</sup> / <sub>4</sub> x 88 <sup>1</sup> / <sub>4</sub>	B	1107	17	15
7.5	YSJ090AWS0L0000	14.6/11.0	91,000	50 <sup>7</sup> / <sub>8</sub> x 53 <sup>1</sup> / <sub>4</sub> x 88 <sup>1</sup> / <sub>4</sub>	B	1111	17	20
8.5	YSJ102AWS0L0000	14.6/11.0	104,000	50 <sup>7</sup> / <sub>8</sub> x 53 <sup>1</sup> / <sub>4</sub> x 88 <sup>1</sup> / <sub>4</sub>	B	1127	19	25
10	YSJ120AWS0L0000	14.6/11.0	123,000	50 <sup>7</sup> / <sub>8</sub> x 53 <sup>1</sup> / <sub>4</sub> x 88 <sup>1</sup> / <sub>4</sub>	B	1137	22	30
12.5	YSJ150BWS0L0000	14.0/10.8	145,000	50 <sup>7</sup> / <sub>8</sub> x 63 <sup>1</sup> / <sub>8</sub> x 99 <sup>5</sup> / <sub>8</sub>	C	1512	22	35
15	YSJ180AWS0L0000	14.0/10.8	185,000	59 x 87 x 123	D	2220	32	40
17.5	YSJ210AWS0L0000	14.0/10.8	215,000	59 x 87 x 123	D	2250	37	50
20	YSJ240AWS0L0000	13.0/9.8	247,000	59 x 87 x 123	D	2320	47	60
25	YSJ300AWS0L0000	13.0/9.8	282,000	59 x 87 x 123	D	2370	46	60
<b>YSJ – 208-230/3/60 – Three Phase – Medium Heat</b>								
6	YSJ072A3S0M0000	14.6/11.0	73,000	50 <sup>7</sup> / <sub>8</sub> x 53 <sup>1</sup> / <sub>4</sub> x 88 <sup>1</sup> / <sub>4</sub>	B	1107	38	50
7.5	YSJ090A3S0M0000	14.6/11.0	91,000	50 <sup>7</sup> / <sub>8</sub> x 53 <sup>1</sup> / <sub>4</sub> x 88 <sup>1</sup> / <sub>4</sub>	B	1111	42	50
8.5	YSJ102A3S0M0000	14.6/11.0	102,000	50 <sup>7</sup> / <sub>8</sub> x 53 <sup>1</sup> / <sub>4</sub> x 88 <sup>1</sup> / <sub>4</sub>	B	1127	48	60
10	YSJ120A3S0M0000	14.6/11.0	120,000	50 <sup>7</sup> / <sub>8</sub> x 53 <sup>1</sup> / <sub>4</sub> x 88 <sup>1</sup> / <sub>4</sub>	B	1137	54	70
12.5	YSJ150B3S0M0000	14.0/10.8	145,000	50 <sup>7</sup> / <sub>8</sub> x 63 <sup>1</sup> / <sub>8</sub> x 99 <sup>5</sup> / <sub>8</sub>	C	1512	67	90
15	YSJ180A3S0M0000	14.0/10.8	182,000	59 x 87 x 123	D	2220	78	100
17.5	YSJ210A3S0M0000	14.0/10.8	215,000	59 x 87 x 123	D	2250	93	125
20	YSJ240A3S0M0000	13.0/9.8	247,000	59 x 87 x 123	D	2320	108	150
25	YSJ300A3S0M0000	13.0/9.8	282,000	59 x 87 x 123	D	2370	119	150
<b>YSJ – 460/3/60 – Three Phase – Medium Heat</b>								
6	YSJ072A4S0M0000	14.6/11.0	73,000	50 <sup>7</sup> / <sub>8</sub> x 53 <sup>1</sup> / <sub>4</sub> x 88 <sup>1</sup> / <sub>4</sub>	B	1107	31	20
7.5	YSJ090A4S0M0000	14.6/11.0	91,000	50 <sup>7</sup> / <sub>8</sub> x 53 <sup>1</sup> / <sub>4</sub> x 88 <sup>1</sup> / <sub>4</sub>	B	1111	21	25
8.5	YSJ102A4S0M0000	14.6/11.0	104,000	50 <sup>7</sup> / <sub>8</sub> x 53 <sup>1</sup> / <sub>4</sub> x 88 <sup>1</sup> / <sub>4</sub>	B	1127	25	30
10	YSJ120A4S0M0000	14.6/11.0	123,000	50 <sup>7</sup> / <sub>8</sub> x 53 <sup>1</sup> / <sub>4</sub> x 88 <sup>1</sup> / <sub>4</sub>	B	1137	29	40
12.5	YSJ150B4S0M0000	14.0/10.8	145,000	50 <sup>7</sup> / <sub>8</sub> x 63 <sup>1</sup> / <sub>8</sub> x 99 <sup>5</sup> / <sub>8</sub>	C	1512	31	45
15	YSJ180A4S0M0000	14.0/10.8	185,000	59 x 87 x 123	D	2220	41	50
17.5	YSJ210A4S0M0000	14.0/10.8	215,000	59 x 87 x 123	D	2250	49	60
20	YSJ240A4S0M0000	13.0/9.8	247,000	59 x 87 x 123	D	2320	54	70
25	YSJ300A4S0M0000	13.0/9.8	282,000	59 x 87 x 123	D	2370	59	80
<b>YSJ – 575/3/60 – Three Phase – Medium Heat</b>								
6	YSJ072AWS0M0000	14.6/11.0	73,000	50 <sup>7</sup> / <sub>8</sub> x 53 <sup>1</sup> / <sub>4</sub> x 88 <sup>1</sup> / <sub>4</sub>	B	1107	17	15
7.5	YSJ090AWS0M0000	14.6/11.0	91,000	50 <sup>7</sup> / <sub>8</sub> x 53 <sup>1</sup> / <sub>4</sub> x 88 <sup>1</sup> / <sub>4</sub>	B	1111	17	20
8.5	YSJ102AWS0M0000	14.6/11.0	104,000	50 <sup>7</sup> / <sub>8</sub> x 53 <sup>1</sup> / <sub>4</sub> x 88 <sup>1</sup> / <sub>4</sub>	B	1127	19	25
10	YSJ120AWS0M0000	14.6/11.0	123,000	50 <sup>7</sup> / <sub>8</sub> x 53 <sup>1</sup> / <sub>4</sub> x 88 <sup>1</sup> / <sub>4</sub>	B	1137	22	30
12.5	YSJ150BWS0M0000	14.0/10.8	145,000	50 <sup>7</sup> / <sub>8</sub> x 63 <sup>1</sup> / <sub>8</sub> x 99 <sup>5</sup> / <sub>8</sub>	C	1512	22	30
15	YSJ180AWS0M0000	14.0/10.8	185,000	59 x 87 x 123	D	2220	32	40
17.5	YSJ210AWS0M0000	14.0/10.8	215,000	59 x 87 x 123	D	2250	37	50
20	YSJ240AWS0M0000	13.0/9.8	247,000	59 x 87 x 123	D	2320	47	60
25	YSJ300AWS0M0000	13.0/9.8	282,000	59 x 87 x 123	D	2370	46	60

0000 = Includes Factory-Installed Hail Guards and Multi-Speed Motor

\*\* Information subject to change. Please confirm with current product catalog Or IOM for current factory production.

For complete equipment / combination selections, installation instructions and warranty information, please refer to Product Data/Ratings and/or Installers Guides and Limited Warranty Handbooks.

R-410A LPG-10

Effective 1/1/26  
22-8301-39



# Precedent™ Packaged Gas/Electric with Symbio™ Convertible 6 - 25 Tons, R-410A

Table R-410A-LPG-11-A – Base Unit – Standard Efficiency – Symbio

Tons	Unit Ordering No.	Performance IEER(2-speed)/EER	Gross Cooling Capacity (Btuh)	Cabinet Dimensions (in.) H x W x L	Cabinet	Shipping Weight (lbs.)	MCA**	Max Fuse**
<b>YSJ – 208-230/3/60 – Three Phase - High Heat</b>								
6	YSJ072A3S0H0000	14.6/11.0	73,000	50 <sup>7</sup> / <sub>8</sub> x 53 <sup>1</sup> / <sub>4</sub> x 88 <sup>1</sup> / <sub>4</sub>	B	1107	38	50
7.5	YSJ090A3S0H0000	14.6/11.0	91,000	50 <sup>7</sup> / <sub>8</sub> x 53 <sup>1</sup> / <sub>4</sub> x 88 <sup>1</sup> / <sub>4</sub>	B	1111	42	50
8.5	YSJ102A3S0H0000	14.6/11.0	104,000	50 <sup>7</sup> / <sub>8</sub> x 53 <sup>1</sup> / <sub>4</sub> x 88 <sup>1</sup> / <sub>4</sub>	B	1127	48	60
10	YSJ120A3S0H0000	14.6/11.0	123,000	50 <sup>7</sup> / <sub>8</sub> x 53 <sup>1</sup> / <sub>4</sub> x 88 <sup>1</sup> / <sub>4</sub>	B	1137	54	70
12.5	YSJ150B3S0H0000	14.0/10.8	145,000	50 <sup>7</sup> / <sub>8</sub> x 63 <sup>1</sup> / <sub>8</sub> x 99 <sup>5</sup> / <sub>8</sub>	C	1512	67	90
15	YSJ180A3S0H0000	14.0/10.8	185,000	59 x 87 x 123	D	2220	78	100
17.5	YSJ210A3S0H0000	14.0/10.8	215,000	59 x 87 x 123	D	2250	93	125
20	YSJ240A3S0H0000	13.0/9.8	247,000	59 x 87 x 123	D	2320	108	150
25	YSJ300A3S0H0000	13.0/9.8	282,000	59 x 87 x 123	D	2370	119	150
<b>YSJ – 460/3/60 – Three Phase - High Heat</b>								
6	YSJ072A4S0H0000	14.6/11.0	73,000	50 <sup>7</sup> / <sub>8</sub> x 53 <sup>1</sup> / <sub>4</sub> x 88 <sup>1</sup> / <sub>4</sub>	B	1107	21	20
7.5	YSJ090A4S0H0000	14.6/11.0	91,000	50 <sup>7</sup> / <sub>8</sub> x 53 <sup>1</sup> / <sub>4</sub> x 88 <sup>1</sup> / <sub>4</sub>	B	1111	21	25
8.5	YSJ102A4S0H0000	14.6/11.0	104,000	50 <sup>7</sup> / <sub>8</sub> x 53 <sup>1</sup> / <sub>4</sub> x 88 <sup>1</sup> / <sub>4</sub>	B	1127	25	30
10	YSJ120A4S0H0000	14.6/11.0	123,000	50 <sup>7</sup> / <sub>8</sub> x 53 <sup>1</sup> / <sub>4</sub> x 88 <sup>1</sup> / <sub>4</sub>	B	1137	29	40
12.5	YSJ150B4S0H0000	14.0/10.8	145,000	50 <sup>7</sup> / <sub>8</sub> x 63 <sup>1</sup> / <sub>8</sub> x 99 <sup>5</sup> / <sub>8</sub>	C	1512	31	45
15	YSJ180A4S0H0000	14.0/10.8	185,000	59 x 87 x 123	D	2220	41	50
17.5	YSJ210A4S0H0000	14.0/10.8	215,000	59 x 87 x 123	D	2250	49	60
20	YSJ240A4S0H0000	13.0/9.8	240,000	59 x 87 x 123	D	2320	54	70
25	YSJ300A4S0H0000	13.0/9.8	282,000	59 x 87 x 123	D	2370	59	80
<b>YSJ – 575/3/60 – Three Phase - High Heat</b>								
6	YSJ072AWS0H0000	14.6/11.0	73,000	50 <sup>7</sup> / <sub>8</sub> x 53 <sup>1</sup> / <sub>4</sub> x 88 <sup>1</sup> / <sub>4</sub>	B	1107	17	15
7.5	YSJ090AWS0H0000	14.6/11.0	91,000	50 <sup>7</sup> / <sub>8</sub> x 53 <sup>1</sup> / <sub>4</sub> x 88 <sup>1</sup> / <sub>4</sub>	B	1111	17	20
8.5	YSJ102AWS0H0000	14.6/11.0	104,000	50 <sup>7</sup> / <sub>8</sub> x 53 <sup>1</sup> / <sub>4</sub> x 88 <sup>1</sup> / <sub>4</sub>	B	1127	19	25
10	YSJ120AWS0H0000	14.6/11.0	123,000	50 <sup>7</sup> / <sub>8</sub> x 53 <sup>1</sup> / <sub>4</sub> x 88 <sup>1</sup> / <sub>4</sub>	B	1137	22	30
12.5	YSJ150BWS0H0000	14.0/10.8	145,000	50 <sup>7</sup> / <sub>8</sub> x 63 <sup>1</sup> / <sub>8</sub> x 99 <sup>5</sup> / <sub>8</sub>	C	1512	22	30
15	YSJ180AWS0H0000	14.0/10.8	185,000	59 x 87 x 123	D	2220	32	40
17.5	YSJ210AWS0H0000	14.0/10.8	215,000	59 x 87 x 123	D	2250	37	50
20	YSJ240AWS0H0000	13.0/9.8	247,000	59 x 87 x 123	D	2320	47	60
25	YSJ300AWS0H0000	13.0/9.8	282,000	59 x 87 x 123	D	2370	46	60

0000 = Includes Factory-Installed Hail Guards and Multi-Speed Motor

\*\* Information subject to change. Please confirm with current product catalog Or IOM for current factory production.



It's Hard To Stop A Trane.®

# Precedent™ Packaged Gas/Electric with Symbio™ Convertible 6 - 25 Tons, R-410A (Model Digit Numbers)

Digit	Description	Order Number	Digit	Description	Order Number
1	<b>Unit Function</b>		16	<b>Hinged Service Access &amp; Filters</b>	
	DX Cooling, Gas Heat.....	Y		Standard Panels/Standard Filters.....	0
2	<b>Cooling Efficiency</b>			Hinged Access Panels/Standard Filters.....	A
	Standard Efficiency.....	S		Standard Panels/2" MERV 8 Filters.....	B
	High Efficiency.....	H		Hinged Access Panels/2" MERV 8 Filters.....	C
3	<b>Refrigerant</b>			Standard Panels/2" MERV 13 Filters.....	D
	R-410A.....	J		Hinged Access Panels/2" MERV 13 Filters.....	E
4,5,6	<b>Nominal Gross Cooling Capacity (MBh)</b>		17	<b>Condenser Coil Protection</b>	
	6 Ton.....	072		Standard Coil.....	0
	7.5 Ton.....	090		Condenser with CompleteCoat™.....	1
	8.5 Ton.....	102	18	<b>Through the Base Provisions</b>	
	10 Ton.....	120		No Through-the-Base-Provisions.....	0
	12.5 Ton.....	150		Through-the-Base Electric.....	A
	15 Ton.....	180		<i>Note: Applicable to Digit 1, Y models only.</i>	
	17.5 Ton.....	210		Through-the-Base Gas Piping.....	B
	20 Ton.....	240		Through-the-Base Electric and Gas Piping.....	C
	25 Ton.....	300	19	<b>Disconnect/Circuit Breaker (3 phase only)</b>	
7	<b>Design Sequence</b>	*		No Disconnect/Circuit Breaker.....	0
				Unit Mounted/Non-Fused Disconnect.....	1
8	<b>Voltage</b>			Unit Mounted Circuit Breaker.....	2
	208-230/60/3.....	3	20	<b>Convenience Outlet</b>	
	460/60/3.....	4		No Convenience Outlet.....	0
	575/60/3.....	W		Unpowered 20A Convenience Outlet.....	A
9	<b>Unit Controls</b>			Powered 15A Convenience Outlet (3 phase only).....	B
	Symbio 700.....	S	21	<b>Communications Options</b>	
10	<b>Heat Type</b>			No Communications Interface.....	0
	Base Model.....	0		Advanced Controller with BACnet® Communications Interface.....	1
	Stainless Steel Gas Heat.....	A		Advanced Controller with LonTalk® Communications Interface.....	2
	Modulating Gas Heat.....	B		Advanced Controller with Air-Fi® Communications Interface.....	3
11	<b>Heating Capacity<sup>①</sup></b>		22	<b>Refrigeration System Option</b>	
	Low Gas Heat.....	L		Standard Refrigeration System.....	0
	Medium Gas Heat.....	M		Dehumidification Option <sup>①②③</sup> .....	A
	High Gas Heat.....	H	23	<b>Controls Expansion Module</b>	
12-13	<b>Service Sequence</b>			None.....	0
	Factory Supplied.....	*,*		XM-30 Expansion Module.....	1
14	<b>Fresh Air Selection</b>			XM-32 Expansion Module.....	2
	No Fresh Air.....	0		XM-30 and XM-32 Expansion Module.....	3
	Manual Outside Air Damper 0-50%.....	A		XM-30 Expansion Module (Qty 2).....	4
	Motorized Outside Air Damper 0-50% <sup>②</sup> .....	B		XM-32 Expansion Module (Qty 2).....	5
	Economizer, Dry Bulb 0-100% without Barometric Relief <sup>②④</sup> .....	C	24	<b>Smoke Detector</b>	
	Economizer, Dry Bulb 0-100% with Barometric Relief <sup>②④</sup> .....	D		No Smoke Detector.....	0
	Economizer, Reference Enthalpy 0-100% without Barometric Relief <sup>②</sup> .....	E		Return Air Smoke Detector <sup>②</sup> .....	A
	Economizer, Reference Enthalpy 0-100% with Barometric Relief <sup>②④</sup> .....	F		Supply Air Smoke Detector <sup>①</sup> .....	B
	Economizer, Comparative Enthalpy 0-100% without Barometric Relief <sup>②④</sup> .....	G		Supply and Return Air Smoke Detectors <sup>①②</sup> .....	C
	Economizer, Comparative Enthalpy 0-100% with Barometric Relief <sup>②④</sup> .....	H	25	<b>System Monitoring Controls</b>	
	Downflow Low Leak Economizer, Dry Bulb with Barometric Relief <sup>②④</sup> .....	K		No Monitoring Control.....	0
	Downflow Low Leak Economizer, Reference Enthalpy with Barometric Relief <sup>②④</sup> .....	M		Clogged Filter Switch <sup>②</sup> .....	1
	Downflow Low Leak Economizer, Comparative Enthalpy with Barometric Relief <sup>②④</sup> .....	P		Condensate Overflow Switch <sup>①</sup> .....	2
	Downflow Low Leak Economizer, Differential Dry Bulb with Barometric Relief <sup>②④</sup> .....	R		Discharge Air Sensing Tube.....	3
15	<b>Supply Fan/Drive Type/Motor</b>			Clogged Filter Switch and Condensate Overflow Switch <sup>①②</sup> .....	4
	Standard Drive.....	0		Clogged Filter Switch and Discharge Air Sensing Tube <sup>②</sup> .....	5
	Optional Oversized/High Static Motor.....	1		Condensate Overflow Switch and Discharge Air Sensing Tube <sup>①</sup> .....	6
	Single Zone Variable Air Volume (SZVAV) with Standard Motor <sup>④</sup> .....	2		Clogged Filter Switch, Condensate Overflow Switch and Discharge Air Sensing Tube <sup>①②</sup> .....	7
	Single Zone Variable Air Volume (SZVAV) with Oversized/High Static Motor <sup>②</sup> .....	3	26	<b>Not Used</b>	
	Multiple Zone Variable Air Volume (MZVAV) with Standard Motor <sup>①④</sup> .....	4			0
	Multiple Zone Variable Air Volume (MZVAV) with Oversized/High Static Motor <sup>②④</sup> .....	5	27	<b>Hardware Enhancements</b>	
				No Enhancements.....	0
				Stainless Steel Drain Pan.....	1
			28	<b>Short Circuit Current Rating</b>	
				Standard (5k) SCCR Marking.....	0
				Tier 2 (=65K) SCCR Marking.....	A
			29	<b>DX Cooling, Gas Heat</b>	
				None.....	0

① Includes Symbio Indoor Module.  
 ② Includes Symbio Fresh Air Module.  
 ③ Includes Symbio Customer Connection Module.  
 ④ Includes Discharge Air Sensor

Light Commercial Packaged Gas/Electric - R-410A



# Precedent™ Packaged Gas/Electric with Symbio, Convertible 6-25 Tons, R-410A Accessories

Table R-410A-LPG-13-A – Accessories

Model Number	Description	Used With Cabinets	Used With
FIABARM002*	Barometric Relief.....	B/C	YSJ/YHJ072*-150*
FIABARM003*	Barometric Relief.....	D	YSJ/YHJ180-300*
FIAC02K001*	CO2 (DCV) Wall Mounted Sensor.....	ALL	YSJ/YHJ072*-300*
FIAC02K002*	CO2 (DCV) Duct Mounted Sensor.....	ALL	YSJ/YHJ072*-300*
FIACURB402*	14-inch Full Perimeter Knockdown Curb.....	B	YSJ/YHJ072*-120*
FIACURB403*	14-inch Full Perimeter Knockdown Curb.....	C	YSJ/YHJ150*
FIACURB404*	14-inch Full Perimeter Knockdown Curb.....	D	YSJ/YHJ180*-300*
FIACLFS001*②	Clogged Filter Switch.....	B/C	YSJ/YHJ072*-150*
FIACLFS002*②	Clogged Filter Switch (MERV13).....	B/C	YSJ/YHJ072*-150*
FIACLFS003*②	Clogged Filter Switch.....	D	YSJ/YHJ180*-300*
FIACLFS004*②	Clogged Filter Switch (MERV13).....	D	YSJ/YHJ180*-300*
FIADAST003*⑦	Discharge Air Sensing Tube Kit T/W Models.....	B	TSJ/THJ/WSJ/WHJ072*-120*
FIADAST004*⑦	Discharge Air Sensing Tube Kit Y Models.....	B	YSJ/YHJ072*-120*
FIADAST005*⑦	Discharge Air Sensing Tube Kit T Models.....	C	TSJ/THJ150*
FIADAST006*⑦	Discharge Air Sensing Tub Kit Y Models.....	C	YSJ/YHJ150*
FIADAST007*⑦	Discharge Air Sensing Tube Kit T/W/Y Models (Digit 11 = L).....	D	TSJ/YSJ/THJ/Y SJ180*-300*, WSJ/WHJ150*-300*
FIADAST008*⑦	Discharge Air Sensing Tube Kit T/W/Y Models (DIGIT 11 DOES NOT EQUAL L).....	D	TSJ/YSJ/THJ/YHJ180*-300*, WSJ,WHJ150*-300*
FIADFDB001*②	Differential Dry Bulb Economizer Control.....	ALL	YSJ/YHJ072*-300*
FIADMPR002*②	Manual Damper.....	B/C	YSJ/YHJ072*-150*
FIADMPR003*②	Manual Damper.....	D	YSJ/YHJ180*-300*
FIADMPR102*②	Motorized Damper.....	B/C	YSJ/YHJ072*-150*
FIADMPR103*②	Motorized Damper.....	D	YSJ/YHJ180*-300*
FIAECON002*②⑥	Dry Bulb Economizer.....	B/C	YSJ/YHJ072*-150*
FIAECON102*②⑥	Dry Bulb Downflow Low Leak.....	B/C	YSJ/YHJ072*-150*
FIAECON003*②⑥	Dry Bulb Downflow Economizer.....	D	YSJ/YHJ180*-300*
FIAECON303*②⑥	Dry Bulb Horizontal Economizer.....	D	YSJ/YHJ180*-300*
FIAECON103*②⑥	Dry Bulb Downflow Low Leak.....	D	YSJ/YHJ180*-300*
FIAECON203*②⑥	Dry Bulb Horizontal Low Leak.....	D	YSJ/YHJ180*-300*
FIAENTH001*	Reference Enthalpy Economizer Control.....	ALL	YSJ/YHJ072*-300*
FIAENTH002*	Comparative Enthalpy Economizer Control.....	ALL	YSJ/YHJ072*-300*
FIAHTST001*	High Temperature (Fire) Duct Mounted Stat.....	ALL	YSJ/YHJ072*-300*
FIAHZDC001*⑥	Horizontal Conversion Panel (For YSJ/YHJ, requires TCO).....	D	YSJ/YHJ180*-300*
FIALOAM001*	Low Ambient.....	ALL	YSJ/YHJ072*-300*
FIALTCI001*	LonTalk Communication Interface.....	ALL	YSJ/YHJ072*-300*
FIAOPTN001*	Indoor Options Module.....	ALL	YSJ/YHJ072*-300*
FIAOPTN002*	Fresh Air Options Module.....	ALL	YSJ/YHJ072*-300*
FIAOVFL001*①	Condensate Overflow Switch.....	ALL	YSJ/YHJ072*-300*
FIAPWRX302*②	Power Exhaust 230V.....	B/C	YSJ/YHJ072*3-150*3
FIAPWRX402*②	Power Exhaust 460V.....	B/C	YSJ/YHJ072*4-150*4
FIAPWRXW02*②	Power Exhaust 575V.....	B/C	YSJ/YHJ072*W-150*W
FIAHALT002*	High Altitude Gas Adjustment Kit.....	B/C	YSJ/YHJ072-150
FIAHALT003*	High Altitude Gas Adjustment Kit.....	D	YSJ/YHJ180-300
FIALPKT002*	LP Gas Conversion Kit.....	B/C	YSJ/YHJ072-150
FIALPKT003*	LP Gas Conversion Kit.....	D	YSJ/YHJ180-300
FIAPWRX303*②	Power Exhaust 230V.....	D	YSJ/YHJ180*3-300*3
FIAPWRX403*②	Power Exhaust 460V.....	D	YSJ/YHJ180*4-300*4
FIAPWRXW03*②	Power Exhaust 575V.....	D	YSJ/YHJ180*W-300*W
FIAQACB026*	Adapter Curb, Existing BAYCURB026 to New C Cabinet (FIACURB403A).....	C	YSJ/YHJ150*
FIAQACB027*	Adapter Curb, Existing BAYCURB027 to New C Cabinet (BAYCURB403A).....	C	YSJ/YHJ150*
FIAQACB044*	Adapter Curb, Existing BAYCURB044 to New B Cabinet (BAYCURB402A).....	B	YSJ/YHJ072*-120*
FIASCCM001*③④	Symbio Customer Connection Module.....	ALL	YSJ/YHJ072*-300*
FIAXMOD030*④⑤	Symbio 700 XM30 Expansion Module.....	ALL	YSJ/YHJ072*-300*
FIAXMOD032*④⑤	Symbio 700 XM32 Expansion Module.....	ALL	YSJ/YHJ072*-300*
FIAS7ADV01*	Symbio 700 Advanced Diagnostics And Communicating.....	ALL	YSJ/YHJ072*-300*

- ① May require Symbio™ Indoor Options Module (FIAOPTN001\*) if field installed.
  - ② May require Symbio™ Fresh Air Options Module (FIAOPTN002\*) if field installed.
  - ③ Provides Ventilation Override, External Auto/Stop, Alarm Indicator, Remote Min Position.
  - ④ Requires Symbio™ Advanced Controller (digit 21=1 or 3).
  - ⑤ Requires Tracer TU and Utilizes TGP2 Software (programming knowledge required).
  - ⑥ May require corresponding Discharge Air Sensor (FIADAST\*\*\*\*) if field installed.
  - ⑦ Included on factory-installed MZVAV configurations and on Heat Pump (WSJ/WHJ) models
- \* Parts designator subject to change

For complete equipment / combination selections, installation instructions and warranty information, please refer to Product Data/Ratings and/or Installers Guides and Limited Warranty Handbooks.

R-410A LPG-13

Effective 1/1/26  
22-8301-39

Light Commercial Packaged Gas/Electric - R-410A



# Foundation™ Packaged Gas/Electric 3-5 Tons, R-410A



- Operating Charge of R-410A
- Scroll compressors on all units
- Low ambient operation of 40°F as standard
- Color coded and numbered wiring
- Single side service access
- Provisions for through the base connections
- Phase monitor on all units
- Convertible airflow on all units
- Non-corrosive drain pan
- Separate high and low voltage areas in control box
- 5-year limited compressor and heat exchanger warranty

Table R-410A-LPG-14-A – Foundation™ – Electromechanical Controls

Tons	Unit Model No	Power Supply Volts/Phase/Hz	Performance SEER	Cooling Capacity (Btuh)	Heating Output Capacity (Btuh)	Dimensions (in.) H x W x L	Shipping Weight (lbs.)	MCA**	Max Fuse Size or Max Circuit Breaker**	Downflow Roofcurb <sup>Ⓛ</sup>
<b>GBC - Three Phase Low Heat</b>										
3	GBC036A3ELB0000	208-230/3/60	14.0	36,000	57,600	42 <sup>5</sup> / <sub>8</sub> x 48 x 76 <sup>7</sup> / <sub>8</sub>	574	20	25	BAYCURB320
4	GBC048A3ELB0000	208-230/3/60	14.0	48,000	57,600	42 <sup>5</sup> / <sub>8</sub> x 48 x 76 <sup>7</sup> / <sub>8</sub>	616	24	35	BAYCURB320
5	GBC060A3ELB0000	208-230/3/60	14.0	57,500	57,600	42 <sup>5</sup> / <sub>8</sub> x 48 x 76 <sup>7</sup> / <sub>8</sub>	636	27	40	BAYCURB320
3	GBC036A4ELB0000	460/3/60	14.0	36,000	57,600	42 <sup>5</sup> / <sub>8</sub> x 48 x 76 <sup>7</sup> / <sub>8</sub>	574	11	15	BAYCURB320
4	GBC048A4ELB0000	460/3/60	14.0	48,000	57,600	42 <sup>5</sup> / <sub>8</sub> x 48 x 76 <sup>7</sup> / <sub>8</sub>	616	11	15	BAYCURB320
5	GBC060A4ELB0000	460/3/60	14.0	57,500	57,600	42 <sup>5</sup> / <sub>8</sub> x 48 x 76 <sup>7</sup> / <sub>8</sub>	636	13	20	BAYCURB320
3	GBC036AWELB0000	575/3/60	14.0	36,000	57,600	42 <sup>5</sup> / <sub>8</sub> x 48 x 76 <sup>7</sup> / <sub>8</sub>	574	7	15	BAYCURB320
4	GBC048AWELB0000	575/3/60	14.0	48,000	57,600	42 <sup>5</sup> / <sub>8</sub> x 48 x 76 <sup>7</sup> / <sub>8</sub>	616	9	15	BAYCURB320
5	GBC060AWELB0000	575/3/60	14.0	57,500	57,600	42 <sup>5</sup> / <sub>8</sub> x 48 x 76 <sup>7</sup> / <sub>8</sub>	636	10	15	BAYCURB320
<b>GBC - Three Phase Medium Heat</b>										
3	GBC036A3EMB0000	208-230/3/60	14.0	36,000	80,000	42 <sup>5</sup> / <sub>8</sub> x 48 x 76 <sup>7</sup> / <sub>8</sub>	574	20	25	BAYCURB320
4	GBC048A3EMB0000	208-230/3/60	14.0	48,000	92,000	42 <sup>5</sup> / <sub>8</sub> x 48 x 76 <sup>7</sup> / <sub>8</sub>	616	24	35	BAYCURB320
5	GBC060A3EMB0000	208-230/3/60	14.0	57,500	92,000	42 <sup>5</sup> / <sub>8</sub> x 48 x 76 <sup>7</sup> / <sub>8</sub>	636	27	40	BAYCURB320
3	GBC036A4EMB0000	460/3/60	14.0	36,000	80,000	42 <sup>5</sup> / <sub>8</sub> x 48 x 76 <sup>7</sup> / <sub>8</sub>	574	11	15	BAYCURB320
4	GBC048A4EMB0000	460/3/60	14.0	48,000	92,000	42 <sup>5</sup> / <sub>8</sub> x 48 x 76 <sup>7</sup> / <sub>8</sub>	616	11	15	BAYCURB320
5	GBC060A4EMB0000	460/3/60	14.0	57,500	92,000	42 <sup>5</sup> / <sub>8</sub> x 48 x 76 <sup>7</sup> / <sub>8</sub>	636	13	20	BAYCURB320
3	GBC036AWEMB0000	575/3/60	14.0	36,000	80,000	42 <sup>5</sup> / <sub>8</sub> x 48 x 76 <sup>7</sup> / <sub>8</sub>	574	7	15	BAYCURB320
4	GBC048AWEMB0000	575/3/60	14.0	48,000	92,000	42 <sup>5</sup> / <sub>8</sub> x 48 x 76 <sup>7</sup> / <sub>8</sub>	616	9	15	BAYCURB320
5	GBC060AWEMB0000	575/3/60	14.0	57,500	92,000	42 <sup>5</sup> / <sub>8</sub> x 48 x 76 <sup>7</sup> / <sub>8</sub>	636	10	15	BAYCURB320

0000 = Includes no Factory-Installed Features; Does Not Include Factory-Installed Hail Guards or Multi-Speed Motor

Ⓛ For Downflow units only.

\*\* Information subject to change. Please confirm current product data within respective catalogs, IOMs or Trane Select Assist.



# Foundation™ Packaged Gas/Electric 3-5 Tons, R-410A (Model Digit Numbers)

Digit	Description	Order Number	Digit	Description	Order Number
1	<b>Unit Function</b>		15	<b>Supply Fan/Drive Type/Motor</b>	
	Packaged Gas Electric .....	G		Multi-Speed Standard Motor.....	7
2	<b>Efficiency</b>			Multi-Speed Oversized Motor .....	9
	Generation B.....	B	16	<b>Access</b>	
	Generation C - DOE.....	C		Standard Fork Access .....	0
3	<b>Airflow Configuration</b>			Third Side Condenser Fork Access (15-25 Tons) .....	F
	Convertible.....	C	17	<b>Condenser Coil Protection</b>	
4,5,6	<b>Nominal Gross Cooling Capacity (MBh)</b>			Standard Coil .....	0
	3 Ton.....	036		Condenser with CompleteCoat™ .....	4
	4 Ton.....	048	18	<b>Through the Base Provisions</b>	
	5 Ton.....	060		No Through-the-Base-Provisions	0
	15 Ton.....	180		Through-the-Base Electric	A
	17.5 Ton.....	210		Through the Base Gasⓐ	B
	20 Ton.....	240		Through the Base Electric/Gas	C
	25 Ton.....	300	19	<b>Disconnect/Circuit Breake (3 phase only)</b>	
7	<b>Design Sequence</b>	*		No Disconnect/Circuit Breaker .....	0
				Unit Mounted/Non-Fused Disconnectⓑ .....	1
8	<b>Voltage</b>		20-24	<b>Not Used</b>	
	208-230/60/3 .....	3		No Convenience Outlet .....	0000
	460/60/3 .....	4	25	<b>System Monitoring Controls</b>	
	575/60/3 .....	W		No Monitoring Controls .....	0
9	<b>Unit Controls</b>			Condensate Drain Pan Overflow Switch.....	A
	Electromechanical .....	E	26	<b>System Monitoring Controls 2</b>	
10	<b>Heating Capacity</b>			Economizer Fault Detection and Diagnostics (FDD)ⓓ .....	B
	Gas Heat - Low .....	L			
	Gas Heat - Medium.....	M			
	Gas Heat - High .....	H			
	Gas Heat - SS Ht Ex - Low .....	X			
	Gas Heat - SS Ht Ex - Medium.....	Y			
	Gas Heat - SS Ht Ex - High .....	Z			
11	<b>Design Sequence</b>	*			
12-13	<b>Service Sequence</b>	**			
14	<b>Fresh Air Selection</b>				
	No Fresh Air .....	0			
	Manual Outside Air Damper 0-25% .....	A			
	Motorized Outside Air Damper 0-50%.....	B			
	Economizer, Dry Bulb 0-100% without Barometric Relief.....	C			
	Economizer, Dry Bulb 0-100% with Barometric Reliefⓐ.....	D			
	Economizer, Reference Enthalpy 0-100% without Barometric Relief.....	E			
	Economizer, Reference Enthalpy 0-100% with Barometric Reliefⓐ.....	F			
	Economizer, Comparative Enthalpy 0-100% without Barometric Relief.....	G			
	"Economizer, Comparative Enthalpy 0-100% with Barometric Reliefⓐ.....	H			
	Downflow Low Leak Economizer, Dry Bulb without Barometric Relief.....	J			
	Downflow Low Leak Economizer, Reference Enthalpy without Barometric Relief.....	L			
	Downflow Low Leak Economizer, Comparative Enthalpy without Barometric Relief.....	N			

- ⓐ Some field set up required
- ⓑ Must be ordered through the base electrical option
- ⓒ All factory installed Options are Built-to-Order. Check order services for estimated production cycle
- ⓓ Factory installed economizers only available in downflow configuration
- ⓔ Fault Detection and Diagnostics (FDD) is available on Low Leak Economizers only



It's Hard To Stop A Trane.®

# Foundation™ Packaged Gas/Electric 3-5 Ton, R-410A Accessories

**Table R-410A-LPG-16-A – Foundation™ - Field-Installed Accessories (FOR 3 - 5 TON FOUNDATION PACKAGED GAS UNITS - GBC - ONLY)**

Model Number	Description	Used With
BAYCURB320A*	Roof curb	All
BAYGARD320A*	Tool-less Hail Guard	All
BAYHAKT320A*	High Altitude Kit	All
BAYLPKT320A*	LP Kit	All
BAYTBGF320A*	Through the base - Gas	All
BAYTBUE320A*	Through the base - Elec.	All
BAYDSCF322A*	Unit Mounted Disconnect- cooling only, 100 Amp	All
BAYCO2K300A*	Wall Mounted CO2 Sensor	All
BAYCO2K301A*	Duct Mounted CO2 Sensor	All
BAYCOSW320A*	Condensate Overflow Switch	All
BAYCCHT101B*	Crankcase Heater – 208-230V (40 W) 6.5"	GBC048-060
BAYCCHT1011B*	Crankcase Heater - 460V/575V (40W) 6.5"	GBC048-060
BAYCCHT103A*	Crankcase Heater – 208-230V (40 W) 5.5"	GBC036
BAYCCHT405A*	Crankcase Heater - 460V/575V (40W) 5.5"	GBC036
BAYLOAM330A*	Evaporator Defrost Control Kit	All
BAYLOAM340A*	Low Ambient Kit	All
BAYASCT001*	Compressor Short Cycle Timer	All
BAYHSMT320A*	2 HP Oversize motor Kit (208-230/460V)	All
BAYHSMT322A*	2 HP Oversize motor Kit (575V)	All
BAYDMPR321A*	Manual Damper	All
BAYDMPR320A*	Motorized Damper	All
BAYBARO320A*	Barometric Relief Damper	All
BAYECON320A*	Economizer, Dry Bulb, Downflow	All
BAYENTH320A*	Reference Enthalpy Economizer Kit	All
BAYENTH321A*	Comparative Enthalpy Economizer Kit	All
BAYECON353A*①	Low Leak Economizer, Dry Bulb, Downflow W/FDD	All
BAYECON354A*①	Low Leak Economizer, Dry Bulb, Horizontal W/FDD	All
BAYENTH323A*①	Comparative Enthalpy Economizer Kit	All w/ Low Leak Economizer & FDD
BAYENTH322A*①	Reference Enthalpy Economizer Kit	All w/ Low Leak Economizer & FDD
BAYBARO321A*①	Barometric Relief Damper	All w/ Low Leak Economizer & FDD
BAYPWRX320A*②	Power Exhasust DF, 208-230V	All
BAYPWRX321A*②	Power Exhaust DF, 460V	All
BAYPWRX322A*②	Power Exhasut DF, 575V	All

① FDD = Fault Detection & Diagnosis

② Please check availability

\* Information subject to change. Please confirm current product data within respective catalogs, IOMs or Trane Select Assist.

Light Commercial  
Packaged Gas/Electric - R-410A



# Medium Foundation™ Packaged Gas 7.5-12.5 Tons, R-410A



- Operating charge of R-410A
- Scroll compressors on all units
- Low ambient operation to 0°F as standard
- Color coded and numbered wiring
- Single side service access
- Molded handles on service access doors
- Separated high and low voltage compartments
- Liquid Line Refrigerant Drier
- Provisions for through the base connections
- Phase monitor on all units
- Convertible airflow
- Two inch throwaway filters as standard
- Non-corrosive & removable drain pan
- 5-year limited compressor warranty (7.5 - 12.5 tons)

**Table R-410A-LPG-17-A – Foundation™ – Electromechanical Controls - 2-Speed Fan - Low Heat**

Tons	Unit Model No.	Power Supply Volts/Phase/Hz	Performance (IEER)	Cooling Capacity (Btuh)	Heating Performance	Dimensions (in.) H x W x L	Shipping Weight (lbs.)	MCA	Max Fuse Size or Max Circuit Breaker <sup>Ⓢ</sup>	Downflow Roofcurb
7½	GCC090A3ELA3YXA	208-230/3/60	14.8	90,000	10,000	44 x 58¾ x 88¼	1087	37	50	BAYCURB310
8½	GCC102A3ELA3YXA	208-230/3/60	14.8	102,000	10,000	49⅞ x 58¾ x 88¼	1111	40	50	BAYCURB310
10	GCC120A3ELA3YXA	208-230/3/60	14.8	120,000	144,000	49⅞ x 58¾ x 88¼	1133	54	70	BAYCURB310
12½	GCC150A3ELA3YXA	208-230/3/60	14.2	150,000	144,000	49⅞ x 58¾ x 88¼	1235	62	80	BAYCURB310
7½	GCC090A4ELA3YXA	460/3/60	14.8	90,000	10,000	44 x 58¾ x 88¼	1087	22	25	BAYCURB310
8½	GCC102A4ELA3YXA	460/3/60	14.8	102,000	10,000	49⅞ x 58¾ x 88¼	1111	23	30	BAYCURB310
10	GCC120A4ELA3YXA	460/3/60	14.8	120,000	144,000	49⅞ x 58¾ x 88¼	1133	27	35	BAYCURB310
12½	GCC150A4ELA3YXA	460/3/60	14.2	150,000	144,000	49⅞ x 58¾ x 88¼	1235	31	40	BAYCURB310

**Table R-410A-LPG-17-B – Foundation™ – R-410A – Electromechanical Controls - 2-Speed Fan = Medium Heat**

Tons	Unit Model No.	Power Supply Volts/Phase/Hz	Performance (IEER)	Cooling Capacity (Btuh)	Heating Performance	Dimensions (in.) H x W x L	Shipping Weight (lbs.)	MCA	Max Fuse Size or Max Circuit Breaker <sup>Ⓢ</sup>	Downflow Roofcurb
7½	GCC090A3EMA3YXA	208-230/3/60	14.8	90,000	144,000	44 x 58¾ x 88¼	1087	37	50	BAYCURB310
8½	GCC102A3EMA3YXA	208-230/3/60	14.8	102,000	144,000	49⅞ x 58¾ x 88¼	1111	40	50	BAYCURB310
10	GCC120A3EMA3YXA	208-230/3/60	14.8	120,000	180,000	49⅞ x 58¾ x 88¼	1133	54	70	BAYCURB310
12½	GCC150A3EMA3YXA	208-230/3/60	14.2	150,000	180,000	49⅞ x 58¾ x 88¼	1235	62	80	BAYCURB310
7½	GCC090A4EMA3YXA	460/3/60	14.8	90,000	144,000	44 x 58¾ x 88¼	1087	22	25	BAYCURB310
8½	GCC102A4EMA3YXA	460/3/60	14.8	102,000	144,000	49⅞ x 58¾ x 88¼	1111	23	30	BAYCURB310
10	GCC120A4EMA3YXA	460/3/60	14.8	120,000	180,000	49⅞ x 58¾ x 88¼	1133	27	35	BAYCURB310
12½	GCC150A4EMA3YXA	460/3/60	14.2	150,000	180,000	49⅞ x 58¾ x 88¼	1235	31	40	BAYCURB310

**Table R-410A-LPG-17-C – Foundation™ – R-410A – Electromechanical Controls - 2-Speed Fan - High Heat**

Tons	Unit Model No.	Power Supply Volts/Phase/Hz	Performance (IEER)	Cooling Capacity (Btuh)	Heating Performance	Dimensions (in.) H x W x L	Shipping Weight (lbs.)	MCA	Max Fuse Size or Max Circuit Breaker <sup>Ⓢ</sup>	Downflow Roofcurb
7½	GCC090A3EHA3YXA	208-230/3/60	14.8	90,000	180,000	44 x 58¾ x 88¼	1087	22	25	BAYCURB310
8½	GCC102A3EHA3YXA	208-230/3/60	14.8	102,000	180,000	49⅞ x 58¾ x 88¼	1111	23	30	BAYCURB310
10	GCC120A3EHA3YXA	208-230/3/60	14.8	120,000	200,000	49⅞ x 58¾ x 88¼	1133	27	35	BAYCURB310
12½	GCC150A3EHA3YXA	208-230/3/60	14.2	150,000	200,000	49⅞ x 58¾ x 88¼	1235	31	40	BAYCURB310
7½	GCC090A4EHA3YXA	460/3/60	14.8	90,000	180,000	44 x 58¾ x 88¼	1087	22	25	BAYCURB310
8½	GCC102A4EHA3YXA	460/3/60	14.8	102,000	180,000	49⅞ x 58¾ x 88¼	1111	23	30	BAYCURB310
10	GCC120A4EHA3YXA	460/3/60	14.8	120,000	200,000	49⅞ x 58¾ x 88¼	1133	27	35	BAYCURB310
12½	GCC150A4EHA3YXA	460/3/60	14.2	150,000	200,000	49⅞ x 58¾ x 88¼	1235	31	40	BAYCURB310

Ⓢ HACR Circuit Breaker Type Per NEC.

3YXA medium Foundation models include multi-speed motor.

\*\* Information subject to change. Please confirm current product data within respective catalogs, IOMs or Trane Select Assist.



It's Hard To Stop A Trane.®

# Medium Foundation™ Packaged Gas 7.5-12.5 Tons, R-410A (Model Digit Numbers)

Digit	Description	Order Number	Digit	Description	Order Number
1	<b>Unit Function</b>		12-13	<b>Service Sequence</b>	
	Packaged Gas Electric .....	G			*,*
2	<b>Efficiency</b>		14	<b>Fresh Air Selection</b> ③④	
	Generation C - DOE.....	C		No Fresh Air .....	0
3	<b>Airflow Configuration</b>		15	<b>Supply Fan/Drive Type/Motor</b>	
	Convertible.....	C		Multi-Speed Standard Motor.....	7
4,5,6	<b>Nominal Gross Cooling Capacity (MBh)</b>			Multi-Speed Oversized Motor .....	9
	7.5 Ton.....	090	16	<b>Unit Type</b>	
	8.5 Ton.....	102		Medium Foundation.....	M
	10 Ton.....	120	17	<b>Condenser Coil Protection</b>	
	12.5 Ton.....	150		Standard Coil .....	0
7	<b>Design Sequence</b>	*	18	<b>Through the Base Provisions</b>	
8	<b>Voltage</b>			No Through-the Base-Provisions.....	0
	208-230/60/3 .....	3	19	<b>Disconnect/Circuit Breaker (3 phase only)</b>	
	460/60/3 .....	4		No Disconnect/Circuit Breaker .....	0
9	<b>Unit Controls</b>		20-24	<b>Not Used</b>	
	Electromechanical .....	E		No Convenience Outlet .....	0000
10	<b>Heating Capacity</b>		25	<b>System Monitoring Controls1</b>	
	Gas Heat -Low .....	L		No Monitoring Controls .....	0
	Gas Heat - Medium.....	M	26	<b>System Monitoring Controls 2</b>	
11	<b>Minor Design Sequence</b>	*		Economizer Fault Detection and Diagnostics (FDD)⑤ .....	B

① Some field set up required  
 ② Must be ordered through the base electrical option  
 ③ All factory installed Options are Built-to-Order. Check order services for estimated production cycle  
 ④ Factory installed economizers only available in downflow configuration  
 ⑤ Fault Detection and Diagnostics (FDD) is available on Low Leak Economizers only

Light Commercial  
Packaged Gas/Electric - R-410A

For complete equipment / combination selections, installation instructions and warranty information, please refer to Product Data/Ratings and/or Installers Guides and Limited Warranty Handbooks.

R-410A LPG-18

Effective 1/1/26  
22-8301-39



# Medium Foundation™ Packaged Gas 7.5-12.5 Tons, R-410A Accessories

**Table R-410A-LPG-19-A — Foundation™ — Field Installed Accessories**

Model Number	Description	Used With
BAYDMPR311* .....	Damper, Manual .....	GCC090A* - GCC150A*
BAYDMPR310* .....	Damper, Motorized.....	GCC090A* - GCC150A*
BAYECON310* .....	Economizer, Dry Bulb, Downflow.....	GCC090A* - GCC150A*
BAYECON311* .....	Economizer, Dry Bulb, Horizontal .....	GCC090A* - GCC150A*
BAYECON355* <sup>③</sup> .....	Low Leak Economizer w/FDD, Dry Bulb, Downflow.....	GCC090A* - GCC150A*
BAYECON356* .....	Low Leak Economizer w/FDD, Dry Bulb, Horizontal .....	GCC090A* - GCC150A*
BAYBARO310* .....	Barometric Relief Damper, 7.5 - 12.5 T.....	GCC090A* - GCC150A*
BAYCURB310* .....	Roof Curb .....	GCC090A* - GCC150A*
BAYGARD312* .....	Condenser Hail Guard .....	GCC090A* - GCC150A*
BAYASCT001* .....	Compressor Short Cycle Timer .....	GCC090A* - GCC150A*
BAYPWRX310* <sup>①</sup> .....	Power Exhaust, 7.5-25T, DF, 230V .....	GCC090A3* - GCC150A3*
BAYPWRX311* <sup>①</sup> .....	Power Exhaust, 7.5-25T, DF, 460V .....	GCC090A4* - GCC150A4*
BAYCO2K300* .....	Wall Mounted CO2 Sensor .....	GCC090A* - GCC150A* with economizer
BAYCO2K301* .....	Duct Mounted CO2 Sensor .....	GCC090A* - GCC150A* with economizer
BAYCOSW311* .....	Drain Pan Overflow Switch.....	GCC090A* - GCC150A*
BAYSTAT300* .....	BACNet Enabled Thermostat .....	GCC090A* - GCC300A*

① Please check availability.

② See HVAC Knowledge Center for a list of compatible Carrier units.

③ FDD = Fault Detection & Diagnostics.

\* Information subject to change. Please confirm current product data within respective catalogs, IOMs or Trane Select Assist.



It's Hard To Stop A Trane.®

# Foundation™ Packaged Gas/Electric 15-25 Tons, R-410A



- Operating charge of R-410A
- Scroll compressors on all units
- Low ambient operation to 40°F as standard
- Color coded and numbered wiring
- Single side service access
- Molded handles on service access doors
- Liquid Line Refrigerant Drier
- Provisions for through the base connections
- Phase monitor on all units
- Convertible airflow with field installed kit on most models
- Two inch throwaway filters as standard
- Non-corrosive & removable drain pan
- Separated high and low voltage compartments
- 5-year limited compressor and heat exchanger warranty (15-25 tons)

**Table R-410A-LPG-20-A – Foundation™ – Electromechanical Controls - 2-Speed Indoor Fans**

Tons	Unit Model No	Power Supply Volts/Phase/Hz	Performance EER/IEER	Cooling Capacity (Btuh)	Heating Output Capacity (Btuh)	Dimensions (in.) H x W x L	Shipping Weight (lbs.)	MCA**	Max Fuse Size or Max Circuit Breaker**②	Downflow Roofcurb①
<b>GCC - Three Phase Low Heat</b>										
15	GCC180A3ELA1DQY	208-230/3/60	11.0/14.2	194000	194400	58 <sup>5</sup> / <sub>8</sub> x 86 <sup>5</sup> / <sub>16</sub> x 123 <sup>1</sup> / <sub>8</sub>	2339	79	100	BAYCURB027
17½	GCC210A3ELA1DQY	208-230/3/60	11.0/14.2	214000	194400	58 <sup>5</sup> / <sub>8</sub> x 86 <sup>5</sup> / <sub>16</sub> x 123 <sup>1</sup> / <sub>8</sub>	2353	92	110	BAYCURB027
20	GCC240A3ELA1DQY	208-230/3/60	10.0/13.2	252000	194400	58 <sup>5</sup> / <sub>8</sub> x 86 <sup>5</sup> / <sub>16</sub> x 123 <sup>1</sup> / <sub>8</sub>	2350	101	125	BAYCURB027
25	GCC300A3ELA1DQY	208-230/3/60	9.80/13.2	280000	194400	58 <sup>5</sup> / <sub>8</sub> x 86 <sup>5</sup> / <sub>16</sub> x 123 <sup>1</sup> / <sub>8</sub>	2386	133	175	BAYCURB027
15	GCC180A4ELA1DQY	460/3/60	11.0/14.2	194000	194400	58 <sup>5</sup> / <sub>8</sub> x 86 <sup>5</sup> / <sub>16</sub> x 123 <sup>1</sup> / <sub>8</sub>	2339	36	45	BAYCURB027
17½	GCC210A4ELA1DQY	460/3/60	11.0/14.2	214000	194400	58 <sup>5</sup> / <sub>8</sub> x 86 <sup>5</sup> / <sub>16</sub> x 123 <sup>1</sup> / <sub>8</sub>	2353	40	50	BAYCURB027
20	GCC240A4ELA1DQY	460/3/60	10.0/13.2	252000	194400	58 <sup>5</sup> / <sub>8</sub> x 86 <sup>5</sup> / <sub>16</sub> x 123 <sup>1</sup> / <sub>8</sub>	2350	20	60	BAYCURB027
25	GCC300A4ELA1DQY	460/3/60	9.80/13.2	280000	194400	58 <sup>5</sup> / <sub>8</sub> x 86 <sup>5</sup> / <sub>16</sub> x 123 <sup>1</sup> / <sub>8</sub>	2386	58	70	BAYCURB027
15	GCC180AWELA1DQY	575/3/60	11.0/14.2	194000	194400	58 <sup>5</sup> / <sub>8</sub> x 86 <sup>5</sup> / <sub>16</sub> x 123 <sup>1</sup> / <sub>8</sub>	2339	30	35	BAYCURB027
17½	GCC210AWELA1DQY	575/3/60	11.0/14.2	214000	194400	58 <sup>5</sup> / <sub>8</sub> x 86 <sup>5</sup> / <sub>16</sub> x 123 <sup>1</sup> / <sub>8</sub>	2353	33	40	BAYCURB027
20	GCC240AWELA1DQY	575/3/60	10.0/13.2	252000	194400	58 <sup>5</sup> / <sub>8</sub> x 86 <sup>5</sup> / <sub>16</sub> x 123 <sup>1</sup> / <sub>8</sub>	2350	39	50	BAYCURB027
25	GCC300AWELA1DQY	575/3/60	9.80/13.2	280000	194400	58 <sup>5</sup> / <sub>8</sub> x 86 <sup>5</sup> / <sub>16</sub> x 123 <sup>1</sup> / <sub>8</sub>	2386	46	50	BAYCURB027
<b>GCC - Three Phase Medium Heat</b>										
15	GCC180A3EMA1DQY	208-230/3/60	11.0/14.2	194000	259200	58 <sup>5</sup> / <sub>8</sub> x 86 <sup>5</sup> / <sub>16</sub> x 123 <sup>1</sup> / <sub>8</sub>	2339	79	100	BAYCURB027
17½	GCC210A3EMA1DQY	208-230/3/60	11.0/14.2	214000	259200	58 <sup>5</sup> / <sub>8</sub> x 86 <sup>5</sup> / <sub>16</sub> x 123 <sup>1</sup> / <sub>8</sub>	2353	92	110	BAYCURB027
20	GCC240A3EMA1DQY	208-230/3/60	10.0/13.2	252000	259200	58 <sup>5</sup> / <sub>8</sub> x 86 <sup>5</sup> / <sub>16</sub> x 123 <sup>1</sup> / <sub>8</sub>	2350	101	125	BAYCURB027
25	GCC300A3EMA1DQY	208-230/3/60	9.80/13.2	280000	259200	58 <sup>5</sup> / <sub>8</sub> x 86 <sup>5</sup> / <sub>16</sub> x 123 <sup>1</sup> / <sub>8</sub>	2386	133	175	BAYCURB027
15	GCC180A4EMA1DQY	460/3/60	11.0/14.2	194000	259200	58 <sup>5</sup> / <sub>8</sub> x 86 <sup>5</sup> / <sub>16</sub> x 123 <sup>1</sup> / <sub>8</sub>	2339	36	45	BAYCURB027
17½	GCC210A4EMA1DQY	460/3/60	11.0/14.2	214000	259200	58 <sup>5</sup> / <sub>8</sub> x 86 <sup>5</sup> / <sub>16</sub> x 123 <sup>1</sup> / <sub>8</sub>	2353	40	50	BAYCURB027
20	GCC240A4EMA1DQY	460/3/60	10.0/13.2	252000	259200	58 <sup>5</sup> / <sub>8</sub> x 86 <sup>5</sup> / <sub>16</sub> x 123 <sup>1</sup> / <sub>8</sub>	2350	20	60	BAYCURB027
25	GCC300A4EMA1DQY	460/3/60	9.80/13.2	280000	259200	58 <sup>5</sup> / <sub>8</sub> x 86 <sup>5</sup> / <sub>16</sub> x 123 <sup>1</sup> / <sub>8</sub>	2386	58	70	BAYCURB027
15	GCC180AWEMA1DQY	575/3/60	11.0/14.2	194000	259200	58 <sup>5</sup> / <sub>8</sub> x 86 <sup>5</sup> / <sub>16</sub> x 123 <sup>1</sup> / <sub>8</sub>	2339	30	35	BAYCURB027
17½	GCC210AWEMA1DQY	575/3/60	11.0/14.2	214000	259200	58 <sup>5</sup> / <sub>8</sub> x 86 <sup>5</sup> / <sub>16</sub> x 123 <sup>1</sup> / <sub>8</sub>	2353	33	40	BAYCURB027
20	GCC240AWEMA1DQY	575/3/60	10.0/13.2	252000	259200	58 <sup>5</sup> / <sub>8</sub> x 86 <sup>5</sup> / <sub>16</sub> x 123 <sup>1</sup> / <sub>8</sub>	2350	39	50	BAYCURB027
25	GCC300AWEMA1DQY	575/3/60	9.80/13.2	280000	259200	58 <sup>5</sup> / <sub>8</sub> x 86 <sup>5</sup> / <sub>16</sub> x 123 <sup>1</sup> / <sub>8</sub>	2386	46	50	BAYCURB027
<b>GCC - Three Phase High Heat①</b>										
15	GCC180A3EHA1DQY	208-230/3/60	11.0/14.2	194000	283500	58 <sup>5</sup> / <sub>8</sub> x 86 <sup>5</sup> / <sub>16</sub> x 123 <sup>1</sup> / <sub>8</sub>	2339	79	100	BAYCURB027
17½	GCC210A3EHA1DQY	208-230/3/60	11.0/14.2	214000	307800/283500	58 <sup>5</sup> / <sub>8</sub> x 86 <sup>5</sup> / <sub>16</sub> x 123 <sup>1</sup> / <sub>8</sub>	2353	92	110	BAYCURB027
20	GCC240A3EHA1DQY	208-230/3/60	10.0/13.2	252000	307800	58 <sup>5</sup> / <sub>8</sub> x 86 <sup>5</sup> / <sub>16</sub> x 123 <sup>1</sup> / <sub>8</sub>	2350	101	125	BAYCURB027
25	GCC300A3EHA1DQY	208-230/3/60	9.80/13.2	280000	307800	58 <sup>5</sup> / <sub>8</sub> x 86 <sup>5</sup> / <sub>16</sub> x 123 <sup>1</sup> / <sub>8</sub>	2386	133	175	BAYCURB027
15	GCC180A4EHA1DQY	460/3/60	11.0/14.2	194000	283500	58 <sup>5</sup> / <sub>8</sub> x 86 <sup>5</sup> / <sub>16</sub> x 123 <sup>1</sup> / <sub>8</sub>	2339	36	45	BAYCURB027
17½	GCC210A4EHA1DQY	460/3/60	11.0/14.2	214000	307800/283500	58 <sup>5</sup> / <sub>8</sub> x 86 <sup>5</sup> / <sub>16</sub> x 123 <sup>1</sup> / <sub>8</sub>	2353	40	50	BAYCURB027
20	GCC240A4EHA1DQY	460/3/60	10.0/13.2	252000	307800	58 <sup>5</sup> / <sub>8</sub> x 86 <sup>5</sup> / <sub>16</sub> x 123 <sup>1</sup> / <sub>8</sub>	2350	20	60	BAYCURB027
25	GCC300A4EHA1DQY	460/3/60	9.80/13.2	280000	307800	58 <sup>5</sup> / <sub>8</sub> x 86 <sup>5</sup> / <sub>16</sub> x 123 <sup>1</sup> / <sub>8</sub>	2386	58	70	BAYCURB027
15	GCC180AWEHA1DQY	575/3/60	11.0/14.2	194000	283500	58 <sup>5</sup> / <sub>8</sub> x 86 <sup>5</sup> / <sub>16</sub> x 123 <sup>1</sup> / <sub>8</sub>	2339	30	35	BAYCURB027
17½	GCC210AWEHA1DQY	575/3/60	11.0/14.2	214000	307800/283500	58 <sup>5</sup> / <sub>8</sub> x 86 <sup>5</sup> / <sub>16</sub> x 123 <sup>1</sup> / <sub>8</sub>	2353	33	40	BAYCURB027
20	GCC240AWEHA1DQY	575/3/60	10.0/13.2	252000	307800	58 <sup>5</sup> / <sub>8</sub> x 86 <sup>5</sup> / <sub>16</sub> x 123 <sup>1</sup> / <sub>8</sub>	2350	39	50	BAYCURB027
25	GCC300AWEHA1DQY	575/3/60	9.80/13.2	280000	307800	58 <sup>5</sup> / <sub>8</sub> x 86 <sup>5</sup> / <sub>16</sub> x 123 <sup>1</sup> / <sub>8</sub>	2386	46	50	BAYCURB027

① HACR Circuit Breaker Type Per NEC.

② For Standard and Oversized Indoor Fan Motor, values do not include power exhaust accessory 1DQY models include a multi-speed motor.

\*\* Information subject to change. Please confirm current product data within respective catalogs, IOMs or Trane Select Assist.

For complete equipment / combination selections, installation instructions and warranty information, please refer to Product Data/Ratings and/or Installers Guides and Limited Warranty Handbooks.

R-410A LPG-20

Effective 1/1/26  
22-8301-39

Light Commercial  
Packaged Gas/Electric - R-410A



# Foundation™ Packaged Gas/Electric 15-25 Tons, R-410A (Model Digit Numbers)

Digit	Description	Order Number	Digit	Description	Order Number
1	<b>Unit Function</b>		15	<b>Supply Fan/Drive Type/Motor</b>	
	Packaged Gas Electric .....	G		Multi-Speed Standard Motor.....	7
2	<b>Efficiency</b>			Multi-Speed Oversized Motor .....	9
	Generation B.....	B	16	<b>Access</b>	
	Generation C - DOE.....	C		Standard Fork Access .....	0
3	<b>Airflow Configuration</b>			Third Side Condenser Fork Access (15-25 Tons) .....	F
	Convertible.....	C	17	<b>Condenser Coil Protection</b>	
4,5,6	<b>Nominal Gross Cooling Capacity (MBh)</b>			Standard Coil .....	0
	3 Ton.....	036		Condenser with CompleteCoat™ .....	4
	4 Ton.....	048	18	<b>Through the Base Provisions</b>	
	5 Ton.....	060		No Through-the-Base-Provisions	0
	15 Ton.....	180		Through-the-Base Electric	A
	17.5 Ton.....	210		Through the Base Gasⓐ	B
	20 Ton.....	240		Through the Base Electric/Gas	C
	25 Ton.....	300	19	<b>Disconnect/Circuit Breake (3 phase only)</b>	
7	<b>Design Sequence</b>	*		No Disconnect/Circuit Breaker .....	0
				Unit Mounted/Non-Fused Disconnectⓑ .....	1
8	<b>Voltage</b>		20-24	<b>Not Used</b>	
	208-230/60/3 .....	3		No Convenience Outlet .....	0000
	460/60/3 .....	4	25	<b>System Monitoring Controls</b>	
	575/60/3 .....	W		No Monitoring Controls .....	0
9	<b>Unit Controls</b>			Condensate Drain Pan Overflow Switch.....	A
	Electromechanical .....	E	26	<b>System Monitoring Controls 2</b>	
10	<b>Heating Capacity</b>			Economizer Fault Detection and Diagnostics (FDD)ⓓ .....	B
	Gas Heat - Low .....	L			
	Gas Heat - Medium.....	M			
	Gas Heat - High .....	H			
	Gas Heat - SS Ht Ex - Low .....	X			
	Gas Heat - SS Ht Ex - Medium.....	Y			
	Gas Heat - SS Ht Ex - High .....	Z			
11	<b>Design Sequence</b>	*			
12-13	<b>Service Sequence</b>	**			
14	<b>Fresh Air Selection</b>				
	No Fresh Air .....	0			
	Manual Outside Air Damper 0-25% .....	A			
	Motorized Outside Air Damper 0-50%.....	B			
	Economizer, Dry Bulb 0-100% without Barometric Relief.....	C			
	Economizer, Dry Bulb 0-100% with Barometric Reliefⓐ .....	D			
	Economizer, Reference Enthalpy 0-100% without Barometric Relief .....	E			
	Economizer, Reference Enthalpy 0-100% with Barometric Reliefⓐ .....	F			
	Economizer, Comparative Enthalpy 0-100% without Barometric Relief .....	G			
	"Economizer, Comparative Enthalpy 0-100% with Barometric Reliefⓐ .....	H			
	Downflow Low Leak Economizer, Dry Bulb without Barometric Relief .....	J			
	Downflow Low Leak Economizer, Reference Enthalpy without Barometric Relief.....	L			
	Downflow Low Leak Economizer, Comparative Enthalpy without Barometric Relief.....	N			

- ⓐ Some field set up required
- ⓑ Must be ordered through the base electrical option
- ⓒ All factory installed Options are Built-to-Order. Check order services for estimated production cycle
- ⓓ Factory installed economizers only available in downflow configuration
- ⓔ Fault Detection and Diagnostics (FDD) is available on Low Leak Economizers only



It's Hard To Stop A Trane.®

# Foundation™ Packaged Gas/Electric 15-25 Tons, R-410A Accessories

**Table R-410A-LPG-22-A — Foundation™ — Field-Installed Accessories (FOR 15 - 25 TON FOUNDATION PACKAGED GAS UNITS - GBC - ONLY)**

Model Number	Description	Used With
BAYTBUE300*	Through the Base Electrical Connections .....	All Foundation 15-25 Ton Units
BAYDSCF300*	Unit Mounted Disconnect (460V & 575V).....	GCC*180A4* - GCC*300A4*, GCC*180AW* - GCC*300AW*
BAYDSCF301*	Unit Mounted Disconnect (208-230V).....	GCC*180A3* - GCC*300A3*
BAYTBGF300*	Through the Base Gas Connection, 400 MBH .....	GCC*180A* - GCC*300A*
BAYLPKT300*	Propane Conversion Kit.....	GCC*180A* - GCC*300A*
BAYHAKT300*	High Altitude Conversion Kit .....	GCC*180A* - GCC*300A*
BAYDMPR301*	Damper, Manual .....	GCC*180A* - GCC*300A*
BAYDMPR300*	Damper, Motorized.....	GCC*180A* - GCC*300A*
BAYECON300*	Economizer, Dry Bulb, Downflow.....	GCC*180A* - GCC*300A*
BAYECON301*	Economizer, Dry Bulb, Horizontal .....	GCC*180A* - GCC*300A*
BAYECON350*Ⓢ	Low Leak Economizer w/FDD, Dry Bulb, Downflow.....	GCC*180A* - GCC*300A*
BAYECON351*	Low Leak Economizer w/FDD, Dry Bulb, Horizontal .....	GCC*180A* - GCC*300A*
BAYHZCN300*	Horizontal Economizer Conversion Kit.....	GCC*180A* - GCC*300A*
BAYBARO300*	Barometric Relief Damper, 15-25T .....	GCC*180A* - GCC*300A*
BAYENTH300*	Reference Enthalpy Economizer Kit .....	GCC*180A* - GCC*300A*
BAYENTH301*	Comparative Enthalpy Economizer Kit.....	GCC*180A* - GCC*300A*
BAYENTH302*Ⓢ	Reference Enthalpy Economizer Kit .....	GCC*180A* - GCC*300A* w/Low Leak Economizer & FDD
BAYENTH303*Ⓢ	Comparative Enthalpy Economizer Kit.....	GCC*180A* - GCC*300A* w/Low Leak Economizer & FDD
BAYCURB027*	Roof Curb .....	GCC*180A* - GCC*300A*
BAYHZRT001*	Horizontal Duct Conversion Kit.....	GCC*180A* - GCC*300A*
BAYCARR001*	Carrier Replacement Conversion Kit .....	GCC*180A* - GCC*300A*
BAYGARD300*	Condenser Hail Guard .....	GCC*180A* - GCC*300A*
BAYCCHT300*	Crankcase Heater, 70W, 208-230V.....	GCC*180A3 - GCC*300A3
BAYCCHT301*	Crankcase Heater, 70W, 460V .....	GCC*180A4 - GCC*300A4
BAYCCHT302*	Crankcase Heater, 70W, 575V .....	GCC*180AW - GCC*300AW
BAYASCT001	Compressor Short Cycle Timer .....	GCC*180A* - GCC*300A*
BAYLOAM301*	Low Ambient Control .....	GCC*180A* - GCC*300A*
BAYLOAM302*	Low Ambient Control .....	GCC*180A* - GCC*300A*
BAYLOAM310*	Evaporator Defrost Control.....	GCC*180A* - GCC*300A*
BAYPWRX300*Ⓢ	Power Exhaust, 15-25T, DF, 208-230V .....	GCC*180A3 - GCC*300A3
BAYPWRX301*Ⓢ	Power Exhaust, 15-25T, DF, 460V .....	GCC*180A4 - GCC*300A4
BAYPWRX302*Ⓢ	Power Exhaust, 15-25T, DF, 575V .....	GCC*180AW - GCC*300AW
BAYHSMT300*	High Static Motor & Drv, 5HP 208-230/460V .....	GCC*180A* - GCC*300A*
BAYHSMT301*	High Static Motor & Drv, 5HP 575V .....	GCC*180AW
BAYHSMT302*	High Static Motor & Drv, 7.5HP 208-230V .....	GCC*210A3, GCC*240A3
BAYHSMT303*	High Static Motor & Drv, 7.5HP 460V.....	GCC*210A4, GCC*240A4
BAYHSMT304*	High Static Motor & Drv, 7.5HP 575V.....	GCC*210AW, GCC*240AW
BAYSHGR003*Ⓢ	Shaft Grounding Ring, 0.875" Shaft.....	5HP VFD Motors
BAYSHGR002*Ⓢ	Shaft Grounding Ring, 1.125" Shaft.....	7.5HP VFD Motors
BAYLSDR300*	Low Static Drive Option.....	GCC*180A* - GCC*300A*
BAYHSDR300*	High Static Drive Option .....	GCC*180A* - GCC*300A*
BAYCO2K300*	Wall Mounted CO2 Sensor .....	GCC*180A* - GCC*300A* with economizer
BAYCO2K301*	Duct Mounted CO2 Sensor .....	GCC*180A* - GCC*300A* with economizer
BAYCOSW300*	Drain Pan Overflow Switch.....	GCC*180A* - GCC*300A*
BAYSTAT300*	BACNet Enabled Thermostat .....	GCC*180A* - GCC*300A*
BAYPALT001*	Reuseable Pallet for Condenser End Unit Lifting.....	All Foundation 15-25 Ton Units

Ⓢ Please check availability.

Ⓢ See HVAC Knowledge Center for a list of compatible Carrier units.

Ⓢ FDD = Fault Detection & Diagnostics.

\* Information subject to change. Please confirm current product data within respective catalogs, IOMs or Trane Select Assist.

# Precedent™ R-410A, R-454B Roof Curb Compatibility Information

**Table LAC/IN-1-A – Precedent™ 3-5 Ton Roof Curb Compatibility – R-410A**

BAYCURB042* / FIACURB401*			
Y°C	T°C	WSC	WHC
036G / 033G	036G / 033G	036E / 036H	036H
048G / 043G	048G / 043G	048E / 048H	
060G / 063G	060G / 063G		
060E / 063E	060E / 063E		

**Table LAC/IN-1-B – Precedent™ 6-25 Ton Roof Curb Compatibility – R-410A**

BAYCURB043* / FIACURB402*			BAYCURB044* / FIACURB403*			BAYCURB027* / FIACURB404*		
T/YSJ	WSC	WHC/DHC	T/YSJ	WSC	WHC/DHC	T/YSJ	WSJ	WHJ/DHJ
072A	060H	048H	150A	120E	120H	180A	180A	180A
090A	072H	060E	150B			210A	210A	210A
102A	090H	060H				240A	240A	240A
120A	092H	074H				300A	300A	300A
	102H	102H						
	120H							

**Table LAC/IN-1-C – Precedent™ 3-25 Ton Roof Curb Compatibility - R-454B**

BAYCURB042* / FIACURB401*			BAYCURB043* / FIACURB402*				BAYCURB044* / FIACURB403*			BAYCURB027* / FIACURB404*			
T/YSK	T/YHK	WSK/DSK	T/YSK	T/YHK	W/DSK	W/DHK	T/YSK	W/DSK	W/DHK	T/YSK	T/YHK	W/DSK	W/DHK
036A	036A	036A	072A	048A	072A	036A	150A	120A	120A	180A	180A	150A	150A
048A		048A	090A	060A	090A	048A				210A	210A	180A	180A
060A		060A	120A	072A	120A	060A				240A	240A	210A	210A
			120A	090A		072A				300A	300A	240A	240A
				120A		090A						300A	300A
				120A		120A							

**General Notes:**

Equipment features and accessories may vary depending on configuration. For more information, see Trane Select Assist or contact product support Y/YSJ120 high eff. Models and T/YSJ150 models may need curb adapter if replacing older generation Precedent If another manufacturers curb was used initially, the adapter curb may not fit

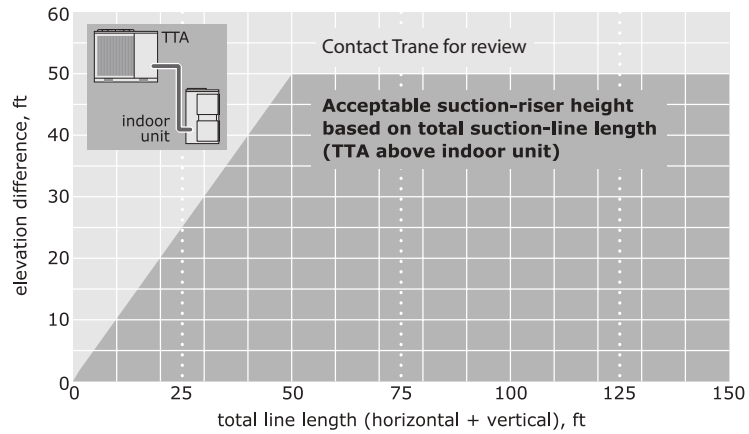
**Table LAC/IN-1-D – Convertible 3-10 Ton Curb Adapters**

Model Number	Description
BAYQACB009*	Quick Adapt Roof Curb Converts Voyager I™ BAYCURB021* to Precedent™ 3 - 5 Ton BAYCURB042*
BAYQACB010*	Quick Adapt Roof Curb Converts Voyager II™ BAYCURB022* to Precedent™ 3 - 5 Ton BAYCURB042*
BAYQACB011*	Quick Adapt Roof Curb Converts Voyager I™ BAYCURB022* to Precedent™ 6 - 10 Ton BAYCURB043*
BAYQACB012*	Quick Adapt Roof Curb Converts Voyager II™ BAYCURB025* to Precedent™ 6 - 10 Ton BAYCURB043*
BAYQACB013*	Quick Adapt Roof Curb Converts Voyager I™ BAYCURB026* to Precedent™ 6 - 10 Ton BAYCURB043*
BAYQACB044*	Quick Adapt Roof Curb Converts Voyager™ BAYCURB026* to Voyager™ BAYCURB027*
FIAQACB026*	Curb Adapter, Converts existing BAYCURB026* to new C cabinet (FIACURB403*) use with TSJ150B
FIAQACB027*	Curb Adapter, Converts existing BAYCURB027* to new C cabinet (BAYCURB403*) use with TSJ150B
FIAQACB044*	Curb Adapter, Converts existing BAYCURB044* to new B cabinet (BAYCURB402*) use with TSJ072A-120A
BAYQACB500*	Quick Adapt Roof Curb Converts Carrier™ CRRFCURB001A01 to Precedent™ FIACURB401*
BAYQACB501*	Quick Adapt Roof Curb Converts Carrier™ CRRFCURB001A01 to Precedent™ FIACURB402*
BAYQACB502*	Quick Adapt Roof Curb Converts Carrier™ CRRFCURB001A03 to Precedent™ FIACURB402*
BAYQACB114*	Precedent E cabinet to Precedent D cabinet (BAYCURB044 to BAYCURB043)
BAYQACB115*	Precedent B cabinet to Precedent C cabinet (BAYCURB042 to BAYCURB043)

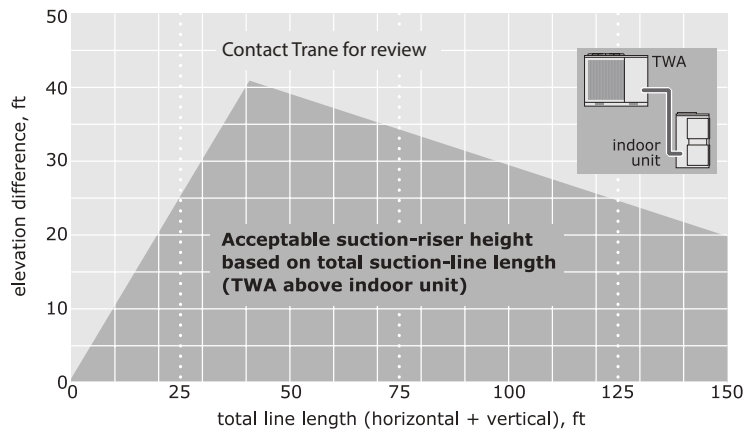
Note: If another manufacturers curb was used initially, the adapter curb may not fit

# Odyssey Footprint Information

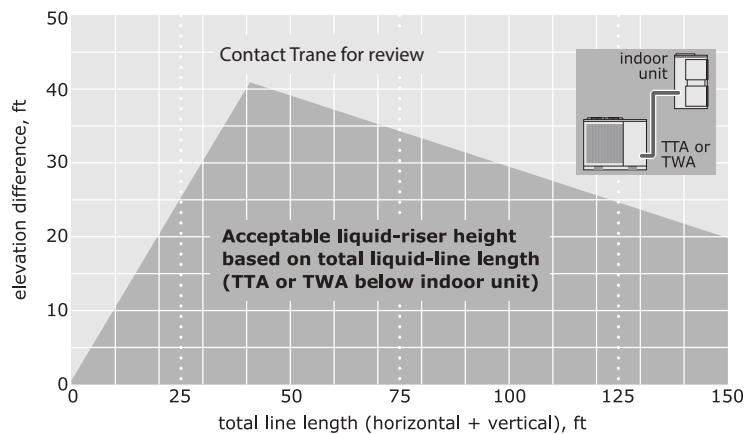
**Table LAC/IN-2-A – Allowable Elevation Difference: Cooling-only TTA above indoor unit**



**Table LAC/IN-2-B – Allowable Elevation Difference: TWA heat pump above indoor unit**



**Table LAC/IN-2-C – Allowable Elevation Difference: TTA or TWA above indoor unit**



## Zone Sensors



BAYSENS077

### Zone Temperature Only

Provides temperature input only (and optional humidity with WSC-SH). Can be used as a secondary remote temperature input for thermostats.

### Remote Zone Sensor

- Use With:
  - BAYSTAT150, 152
- Allows remote zone monitoring with standard electronic zone sensors
- Finish: Pantone Cool Gray #2C
- Replacement: SEN-0435
- Installation – 18-HD60D41
- Source: Clarksville



BAYSENS106

### Manual Changeover Wireless Display Sensor

Heat, Cool or Off System Switch. Fan Auto or Off Switch. Single temperature setpoint thumbwheel.

### Single Setpoint Manual Changeover

- Use With:
  - 3 – 10 Ton Precedent™ Units T°C, Y°C
  - 12.5 – 25 Ton Voyager™ Units
  - 3 - 25 Ton Precedent™ Units T°K, Y°K
- Heat/Off/Cool System Switch
- Auto/On Fan Switch
- Blue Cool/Red Heat Setpoint Levers
- Single Setpoint requires 4 wires for Electric/Electric
- Finish: Pantone Cool Gray #2C
- Replacement: SEN-1526
- Installation – 18-HD60D28
- Source: St. Paul GCC/Clarksville



BAYSENS108

### Manual/Automatic Changeover

Auto, Heat, Cool or Off System Switch. Fan Auto or Off Switch. Dual temperature setpoint sliders.

### Dual Setpoint Manual or Auto Changeover

- Use With:
  - 3 – 10 Ton Precedent™ Units T°C, Y°C
  - 12.5 – 25 Ton Voyager™ Units
  - 3 - 25 Ton Precedent™ Units T°K, Y°K
- Heat/Auto/Off/Cool Switch
- Auto/On Fan Switch
- Blue Cool/Red Heat Setpoint Levers
- Finish: Pantone Cool Gray #2C
- Replacement: SEN-1513
- Installation – 18-HD60D34
- Source: St. Paul GCC/Clarksville

## Zone Sensors



**BAYSENS073  
BAYSENS074  
BAYSENS075**

### Integrated Comfort™ System

Sensor(s) available with optional temperature adjustment and override buttons to provide central control through a Trane Integrated Comfort system.

#### BAYSENS073A

##### Room Sensor with Timed Override

- Used with **Integrated Comfort™** Systems
- Use With:
  - 3 – 25 Ton **Precedent™** Units
- Timed Override Buttons
- Finish: Pantone Cool Gray #2C
- Replacement: SEN-1447
- Installation – Included with sensor
- Source: Clarksville

#### BAYSENS075A

##### Room Sensor with Setpoint Adjustment

- Used with **Integrated Comfort™** Systems
- Use With:
  - 3 – 25 Ton **Precedent™** Units
- Timed Override Buttons
- Thumbwheel Setpoint
- No Occupancy Sensor
- Finish: Pantone Cool Gray #2C
- Installation - Included with sensor
- Source: Clarksville

#### BAYSENS074A

##### Room Sensor with Setpoint Adjustment

- Used with **Integrated Comfort™** Systems
- Use With:
  - 3 – 25 Ton **Precedent™** Units
- Timed Override Buttons
- Thumbwheel Setpoint
- Includes Occupancy Button
- Finish: Pantone Cool Gray #2C
- Replacement: SEN-1450
- Installation – Included with sensor
- Source: Clarksville



**BAYSENS135**

### Wired Display Sensor

LCD display that provides heat, cool, auto, or off. Includes two temperature setpoints and a lockable setting with °F or °C indicators.



**BAYSENS800**

### Touchscreen Digital Display Communicating Sensor

Uses BACnet MS/TP link to communicate zone temperature and setpoints. Auto, Heat, Cool or Off System Switch. Fan Auto or On Switch. 7-day programmable thermostat with night setback.

**Note:** Not compatible with VAV units. Requires BACnet communications

## Zone Sensors

---



**BAYSENS036**

### Wired Zone Temperature and Humidity Sensor

Measures temperature and relative humidity. Relative humidity input is used to control activation of dehumidification.

## Air-Fi® Wireless Communicating Zone Sensors

---



**BAYSENS077**

### Wireless Zone Temperature Only

Measures temperature and optional humidity (with WCS-SH) for use in public spaces where no local user interface is preferred.

**Note:** Requires BACnet communications



**BAYSENS106**

### Manual Changeover Wireless Display Sensor

Easy-to-use interface for clear and simple monitoring and control. Can be configured for any Trane system or to meet the customer's preference.

**Note:** Requires BACnet communications

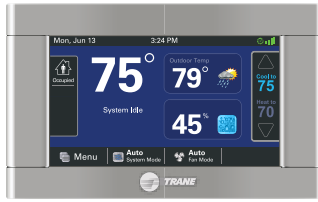


**FIACO2K001\***  
**FIACO2K002\***

### Wired CO<sub>2</sub> Sensor



It's Hard To Stop A Trane.®



Trane® Pivot™  
TCONT830AS52DA  
(Commercial Applications Only)

## Thermostats

Our Pivot Smart Thermostat system is great for commercial buildings. With its intuitive touchscreen and customizable display, it is easy for occupants to use. The Trane Pivot mobile app enables users to control multiple buildings remotely, making changes in seconds to all systems

Note: Not compatible with VAV units.

### TCONT830AS52DA

- Service Support with diagnostics ⓘ
- Designed for commercial business
- Customized display widgets
- 3 levels of access restrictions
- Manage user by enable/disable per mobile device
- 7 day programmable up to 6 events per day (3 occupied/3 unoccupied)
- Single button override for after hour use
- Configurable timed override logic
- Grouping for mass overrides
- Trane Pivot connected to the mobile app and diagnostics
- Efficient remote management
- Schedule can be sent to multiple Pivot thermostats
- Grouping for mass overrides
- Touchscreen Display: 4.15" x 2.65" (4.3" diagonal)
- Limited Warranty: 5-Year Material

### Application:

- Conventional HVAC system compatibility with up to 3 heat/2 cool dual fuel (gas/electric)
- Heat pump systems:
- Up to 5 stages heat/2 stages cool (2 compressor plus 3 auxiliary)
- Heat pump switchover valve
- Selectable with cool or heat
- Wired remote indoor sensor (ZZSENSAL0400AA)
- Wired remote outdoor sensor (BAYSEN01ATEMPA)
- Two auxiliary outputs (dry contacts) for dehumidification, humidification, or ventilation
- System Modes: Auto, Heating, Cooling, Off
- Fan Modes: Auto, On
- Auxiliary Heat Lockout: 32°F to 70°F
- Compressor Heat Lockout: 55°F to 70°F
- Cooling Setpoint Range: 60°F to 99°F (1°F resolution)
- Heating Setpoint Range: 55°F to 99°F (1°F resolution)
- Indoor Temperature Display Range: 140°F to 122°F
- Outdoor Temperature Display Range: -40°F to 140°F
- Indoor Humidity Range: 0% to 100% (1% resolution)
- Minimum Cycle Off Time Display: Compressor; 5 minutes, Indoor Heat; 1 minutes
- Storage/Operating Temperature: -0°F to 175°F, 5% to 95% RH non-condensing
- 24 Volts AC

### Dimensions:

- Product: 5.43"w x 3.39"h x 1.30"d
- Display: 4.15"w x 2.65"h

Light Commercial  
Comfort Controls/Zone Sensors

## Thermostats



**BAYSTAT152**

### Touchscreen Programmable Thermostat with Relative Humidity Sensor (3H/2C)

Three Heat, Two Cool digital display thermostat with built-in humidity control. This thermostat combines both humidity and temperature into one

Note: Not compatible with VAV units.

- Large, Clear Display with Backlighting — Current temperature, set temperature and time are easy-to-read and all are displayed on the main screen.
- Menu Driven Programming — Provides guidance through the scheduling process, showing only necessary information and choices on each screen.
- Real-Time Clock — Keeps time during power failure; automatically updates for daylight savings.
- Internal Humidity Sensor
- Manual or Auto Changeover
- 2 or 4 Scheduling Periods
- Precise Temperature Control ( $\pm 0.05$  °F) — reliable, consistent comfort.
- Multiple OVERRIDE options — Can modify schedule indefinitely or for a specific period of time.
- 3 Heat/2 Cool



**BAYSTAT150**

### Digital Display Programmable Thermostat (3H/2C)

- Three Heat / Two Cool
- Auto changeover digital display thermostat.
- 7-day programmable thermostat with night setback.

Note: Not compatible with VAV units.



**BAYSTAT151**

### Digital Display Programmable Thermostat (1H/1C)

- One Heat / One Cool
- Auto changeover digital display thermostat.

Note: Not compatible with VAV units.



**BAYSTAT155**

### Digital Display Thermostat (3H/2C)

- Three Heat / Two Cool
- Auto changeover digital display thermostat.

Note: Not compatible with VAV units.

**RUNTRU**<sup>®</sup>  
BY TRANE<sup>®</sup>

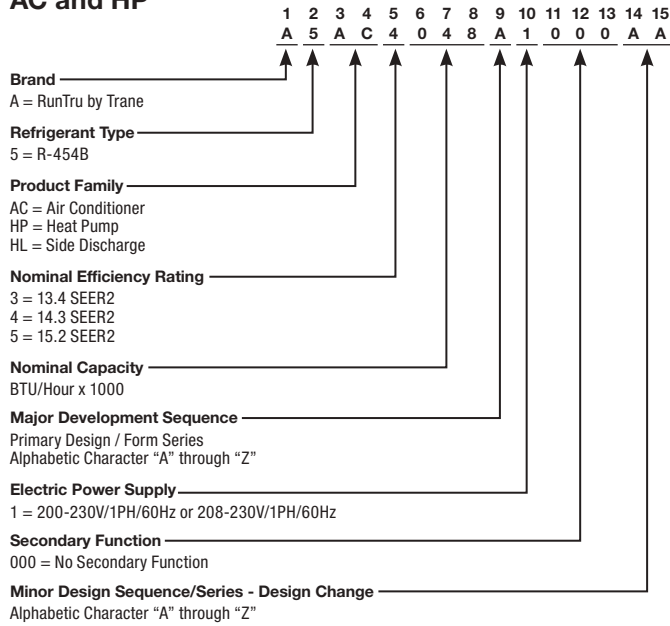


**DESIGNED TO PERFORM.  
BUILT TO LAST. BACKED BY TRANE.<sup>®</sup>**



# Model Nomenclature - Outdoor

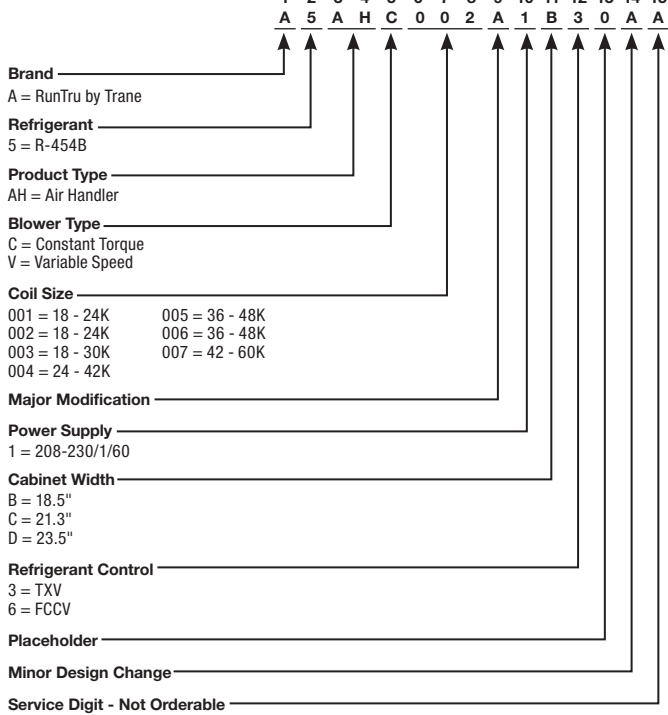
## AC and HP



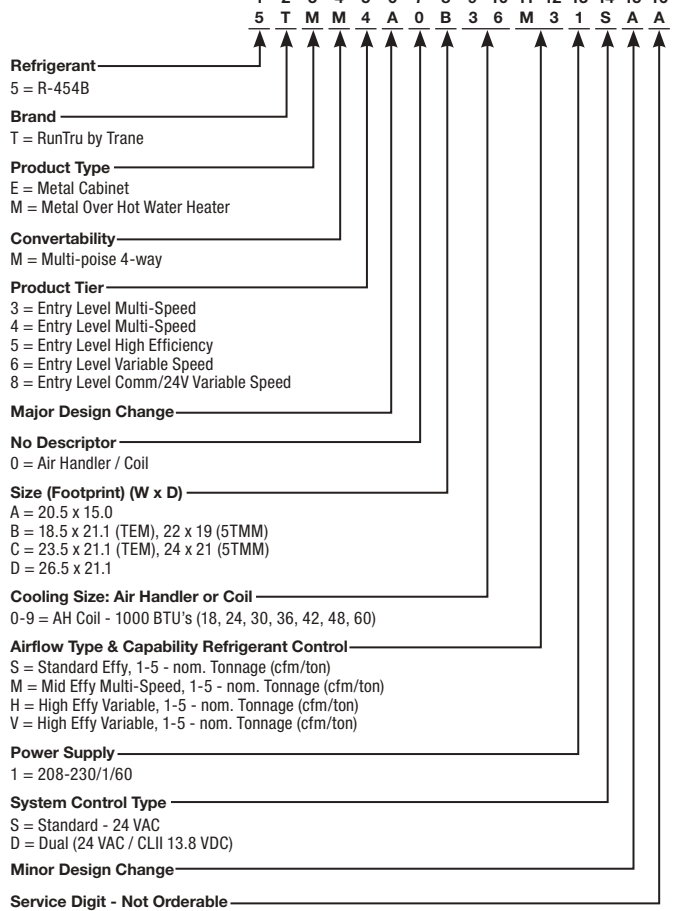


# Model Nomenclature - Air Handlers

## Air Handler



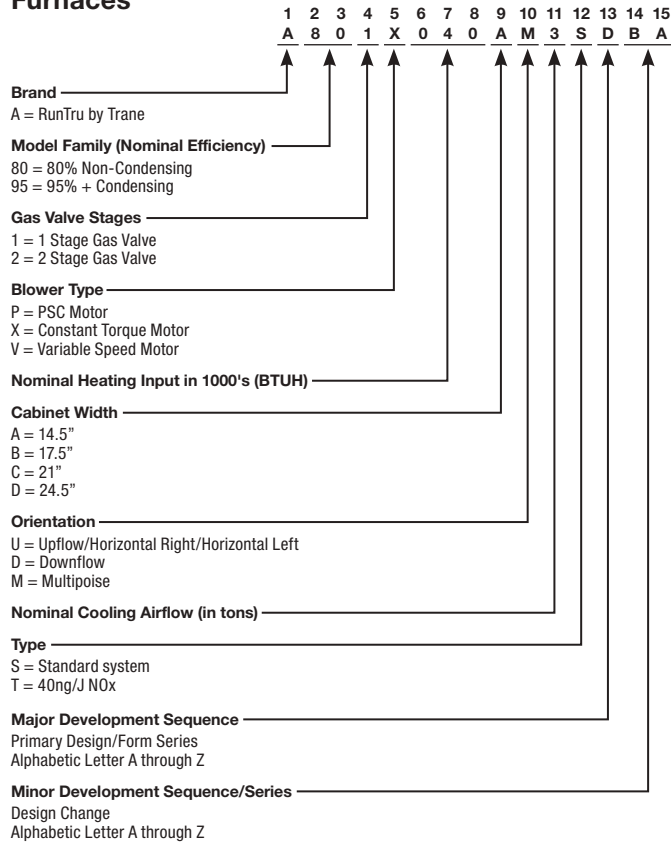
## Air Handler - TMM





# Model Nomenclature - Furnaces

## Furnaces





# Model Nomenclature - Coils

## Coils

1 2 3 4 5 6 7 8 9 10 11 12 13 14 15  
 5 M X C B 0 0 4 A C 6 H C A A

**Refrigerant Type**

5 = R-454B

**Series**

T = Premium Multi-Poise (Cooling and HP)  
 P = Core Dedicated position (Cooling and HP)  
 M = Value Multi-Poise (Cooling and HP)  
 A = Entry Level (Cooling and HP)

**Coil Design**

X = Direct Expansion Evaporator Coil

**Coil Feature**

C = Cased A Coil  
 A = Uncased A Coil  
 F = Cased Horizontal Flat Coil

**Cabinet Width**

A = 14.5"  
 B = 17.5"  
 C = 21.0"  
 D = 24.5"  
 H = 10.5"

**Airflow Direction**

0 = Multi-Directional (horizontal allowed)  
 U = Upflow / Downflow, convertible to Horizontal Left or Horizontal Right  
 D = Downflow, convertible to Horizontal Right

**Nominal Capacity in 1000's (BTUH), or Model Number Distinguisher**

**Major Design Change**

**Efficiency**

C = Standard  
 S = High Efficiency  
 Z = High Efficiency (TXV modulates to 50%)

**Refrigerant Control**

3 = TXV - Non-Bleed  
 6 = FCCV (Flow Control/Check Valve)

**Coil Circuitry**

H = Heat Pump  
 C = Cooling

**Airflow Configuration**

A = Upflow  
 U = Upflow / Downflow  
 D = Downflow  
 R = Downflow / Horizontal Right  
 H = Horizontal Left/Right  
 C = Convertible - Upflow, Downflow, Left or Right

**Minor Design Change**

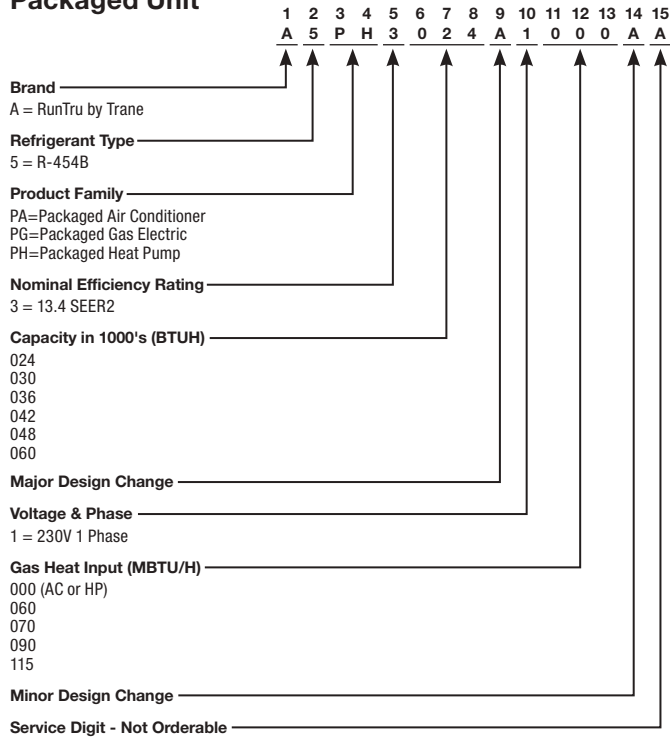
**Service Digit - Not Orderable**

Unit Parts Identifier A through Z



# Model Nomenclature - Packaged Units

## Packaged Unit





# Model Nomenclature - Ductless

## Ductless

1 2 3 4 5 6 7 8 9 10 11 12 13 14  
M 5 T H S 2 3 2 4 A 1 3 N 0

**Brand**

M = RunTru

**Refrigerant**

3 = R-32  
4 = R-410A  
5 = R-454B

**System Component**

T = Outdoor  
M = Indoor

**Unit Type**

C = Cooling only  
H = Heat Pump

**Configuration**

M = Multizone outdoor  
S = Single Zone outdoor  
W = High Wall Indoor unit

**SEER2 Family**

17 = 17 SEER2  
19 = 19 SEER2  
23 = 23 SEER2  
UN = Universal Indoor

**Tonnage**

06 = 6000 BTUH  
09 = 9000 BTUH  
12 = 12000 BTUH  
18 = 18000 BTUH  
24 = 24000 BTUH  
27 = 27000 BTUH  
30 = 30000 BTUH  
36 = 36000 BTUH  
42 = 42000 BTUH

**Major Design Change**

A, B, C

**Voltage**

1 = 208/230V  
2 = 115V

**Ports (For Outdoor = Ports, For Indoors = Region)**

1 = 1 Ports  
2 = 2 Ports  
3 = 3 Ports  
4 = 4 Ports  
5 = 5 Ports  
N = North America

**Special Character or Region**

N = North America For Outdoor  
0 = Indoor

**Minor Design Change**

0, A, B



# Split System Cooling Single Phase – 1½-5 Tons



**A5AC3  
Air Conditioner**

**Table -RTSC-1-A – 13.4 SEER2 R-454B Split System Air Conditioner**

Model Number	Power Supply	Nom. Cap. Cooling (BTUH)	Uncrated Dimensions (in.)			Shipping Weight (lbs.)	Sound** Rating	MCA*	Max. Fuse*	Service Valve Connection Size† (in)	
			H	W	D					OD Gas	OD Liq.
A5AC3018A1000*	208/230/1/60	18,000	28.8	25.6	25.6	153	71	*	*	3/4	5/16
A5AC3024A1000*	208/230/1/60	24,000	28.8	25.6	25.6	153	71	*	*	3/4	5/16
A5AC3030A1000*	208/230/1/60	30,000	28.8	29.8	29.8	189	73	*	*	3/4	5/16
A5AC3036A1000*	208/230/1/60	36,000	28.8	29.8	29.8	189	73	*	*	3/4	5/16
A5AC3042A1000*	208/230/1/60	42,000	36.6	29.8	29.8	220	73	*	*	7/8	5/16
A5AC3048A1000*	208/230/1/60	48,000	36.6	34.3	34.3	246	71	*	*	7/8	5/16
A5AC3060A1000*	208/230/1/60	60,000	36.6	34.3	34.3	246	71	*	*	7/8	5/16



**A5AC4  
Air Conditioner**

**Table -RTSC-1-B – 14.3 SEER2 R-454B Split System Air Conditioner**

Model Number	Power Supply	Nom. Cap. Cooling (BTUH)	Uncrated Dimensions (in.)			Shipping Weight (lbs.)	Sound** Rating	MCA*	Max. Fuse*	Service Valve Connection Size† (in)	
			H	W	D					OD Gas	OD Liq.
A5AC4018A1000*	208/230/1/60	18,000	36.6	29.8	29.8	220	73	*	*	3/4	5/16
A5AC4024A1000*	208/230/1/60	24,000	32.6	29.8	29.8	183	71	*	*	3/4	5/16
A5AC4030A1000*	208/230/1/60	30,000	36.6	29.8	29.8	220	73	*	*	3/4	5/16
A5AC4036A1000*	208/230/1/60	36,000	32.6	29.8	29.8	183	71	*	*	3/4	5/16
A5AC4042A1000*	208/230/1/60	42,000	36.6	34.3	34.3	246	71	*	*	7/8	5/16
A5AC4048A1000*	208/230/1/60	48,000	44.6	34.3	34.3	307	71	*	*	7/8	5/16
A5AC4060A1000*	208/230/1/60	60,000	44.6	34.3	34.3	302	71	*	*	7/8	5/16



**A5AC5  
Air Conditioner**

**Table -RTSC-1-C – 15.2 SEER2 R-454B Split System Air Conditioner**

Model Number	Power Supply	Nom. Cap. Cooling (BTUH)	Uncrated Dimensions (in.)			Shipping Weight (lbs.)	Sound** Rating	MCA*	Max. Fuse*	Service Valve Connection Size† (in)	
			H	W	D					OD Gas	OD Liq.
A5AC5018A1000*	208/230/1/60	18,000	36.6	29.8	29.8	220	73	*	*	3/4	5/16
A5AC5024A1000*	208/230/1/60	24,000	32.6	29.8	29.8	183	71	*	*	3/4	5/16
A5AC5030A1000*	208/230/1/60	30,000	36.6	29.8	29.8	220	73	*	*	3/4	5/16
A5AC5036A1000*	208/230/1/60	36,000	32.6	29.8	29.8	183	71	*	*	3/4	5/16
A5AC5042A1000*	208/230/1/60	42,000	36.6	34.3	34.3	246	71	*	*	7/8	5/16
A5AC5048A1000*	208/230/1/60	48,000	44.6	34.3	34.3	307	71	*	*	7/8	5/16
A5AC5060A1000*	208/230/1/60	60,000	44.6	34.3	34.3	302	71	*	*	7/8	5/16

\* Please confirm with current Product Data/Service Facts for current factory production.

\*\* Rated in accordance with AHRI Standard 270-2008.

† For alternative line set sizes, please refer to the Application Guide or the Refrigerant Piping Program on ComfortSite. Visit page -SC-1 to scan the QR code to launch the Refrigerant Piping Program Application.



## Split System Cooling Single Phase – 1½-5 Tons

**Table -RTSC-2-A – Features**

	A5AC3	A5AC4	A5AC5
• SEER2 up to .....	13.4	14.3	16.0
• All-Aluminum Coil.....	✓	✓	✓
• Scroll Compressor For Quiet & Reliable Operation.....	✓	✓	✓
• Small Unit Footprint For Tight Spaces (1.5-5 Tons).....	✓	✓	✓
• Quiet Operation   76 db .....	✓	✓	✓
• Pre-Painted Steel Cabinet & Base Pan .....	✓	✓	✓
• 5-Year Limited Functional Parts Warranty.....	✓	✓	✓
• 10-Year Functional Parts Warranty With Product Registration* .....	✓	✓	✓
• Commercial Applications: Limited Warranty. All Other Functional Parts 1 Year.....	✓	✓	✓

\* Registered Limited Warranty terms are available when you register within 60 days of installation. You can register online at RunTruHVAC.com or by phone at 855-260-2975, otherwise Trane's Base Limited Warranty terms will apply. Base Limited Warranty information on specific products can be found on ComfortSite.com. Product Registration and Registration Transfer exclusions vary in the US from state to state and in Canada from province to province. To determine if there are specific exclusions for your state or province check your local laws.

**Table -RTSC-2-B – Optional Accessories**

Model Number	Description			
AY28X079 .....	Evap. Defrost Control Kit .....	✓	✓	✓
BAYCCHT301RES.....	Crankcase Heater Kit (Scroll).....	3.5 - 5.0	3.5 - 5.0	3.5 - 5.0
BAYCCHT302RES.....	Crankcase Heater Kit (Scroll).....	1.5 - 3.0	1.5 - 3.0	1.5 - 3.0
BAYISLT101 .....	Rubber Isolators.....	✓	✓	✓
BAYLOAM108.....	External Low Ambient Kit.....	✓	✓	✓
BAYLEGS007.....	Snow Legs - 7" High (Black) .....	✓	✓	✓
BAYLEGS004.....	Snow Legs - 4" High (Black) .....	✓	✓	✓
BAYKSKT267.....	External Start Kit .....	✓	✓	✓
BAYSDEN003 .....	Small Scroll Compressor Enclosures .....	1.5 - 3.0	1.5 - 3.0	1.5 - 3.0
BAYSDEN004 .....	Large Scroll Compressor Enclosures .....	3.5 - 5.0	3.5 - 5.0	3.5 - 5.0



# Split System Heat Pumps Single Phase – 1½-5 Tons



**A5HP4  
Heat Pump**

**Table RTSH-1-A – 14.3 SEER2 R-454B Split System Heat Pump**

Model Number	Power Supply	Nom. Cap. Cooling (BTUH)	Uncrated Dimensions (in.)			Shipping Weight (lbs.)	Sound** Rating	MCA*	Max. Fuse*	Service Valve Connection Size† (in)	
			H	W	D					OD Gas	OD Liq.
A5HP4018A1000*	208/230/1/60	18,000	32.6	29.8	29.8	208	75	*	*	3/4	5/16
A5HP4024A1000*	208/230/1/60	24,000	32.6	29.8	29.8	208	75	*	*	3/4	5/16
A5HP4030A1000*	208/230/1/60	30,000	32.6	29.8	29.8	208	75	*	*	3/4	5/16
A5HP4036A1000*	208/230/1/60	36,000	32.6	34.3	34.3	256	70	*	*	3/4	5/16
A5HP4042A1000*	208/230/1/60	42,000	44.6	34.3	34.3	301	72	*	*	7/8	5/16
A5HP4048A1000*	208/230/1/60	48,000	44.6	34.3	34.3	301	72	*	*	7/8	5/16
A5HP4060A1000*	208/230/1/60	60,000	44.6	34.3	34.3	301	72	*	*	7/8	5/16



**A5HP5  
Heat Pump**

**Table RTSH-1-B – 15.2 SEER2 R-454B Split System Heat Pump**

Model Number	Power Supply	Nom. Cap. Cooling (BTUH)	Uncrated Dimensions (in.)			Shipping Weight (lbs.)	Sound** Rating	MCA*	Max. Fuse*	Service Valve Connection Size† (in)	
			H	W	D					OD Gas	OD Liq.
A5HP5018A1000*	208/230/1/60	18,000	32.6	29.8	29.8	208	75	*	*	3/4	5/16
A5HP5024A1000*	208/230/1/60	24,000	32.6	29.8	29.8	208	75	*	*	3/4	5/16
A5HP5030A1000*	208/230/1/60	30,000	32.6	29.8	29.8	208	75	*	*	3/4	5/16
A5HP5036A1000*	208/230/1/60	36,000	32.6	34.3	34.3	256	70	*	*	3/4	5/16
A5HP5042A1000*	208/230/1/60	42,000	44.6	34.3	34.3	301	72	*	*	7/8	5/16
A5HP5048A1000*	208/230/1/60	48,000	44.6	34.3	34.3	301	72	*	*	7/8	5/16
A5HP5060A1000*	208/230/1/60	60,000	44.6	34.3	34.3	301	72	*	*	7/8	5/16



**A5HL5  
Heat Pump  
(Low Profile)**

**Table RTSH-1-C – 15.2 SEER2 R-454B Split System Low Profile Heat Pump**

Model Number	Power Supply	Nom. Cap. Cooling (BTUH)	Uncrated Dimensions (in.)			Shipping Weight (lbs.)	Sound** Rating	MCA*	Max. Fuse*	Service Valve Connection Size† (in)	
			H	W	D					OD Gas	OD Liq.
A5HL5024A1000*	208/230/1/60	24,000	31.3	38.5	16.4	146	58	*	*	3/4	3/8
A5HL5036A1000*	208/230/1/60	36,000	33.8	42.5	19.5	192	60	*	*	3/4	3/8
A5HL5048A1000*	208/230/1/60	48,000	52.7	40.7	16.1	260	66	*	*	7/8	3/8
A5HL5060A1000*	208/230/1/60	60,000	52.7	40.7	16.1	260	68	*	*	7/8	3/8

Note: The 4T, 3T, and 2T have a capacity switch to change down to 3.5T, 2.5T, and 1.5T respectively.

\* Please confirm with current Product Data/Service Facts for current factory production.

\*\* Rated in accordance with AHRI Standard 270-2008.

† For alternative line set sizes, please refer to the Application Guide or the Refrigerant Piping Program on ComfortSite. Visit page SH-1 to scan the QR code to launch the Refrigerant Piping Program Application.

RunTru™  
Split System Heat Pumps



# Split System Heat Pumps Single Phase – 1½-5 Tons

**Table RTSH-2-A – Features**

	A5HP4	A5HP5	A5HL5
• SEER2 up to .....	14.3	16.0	16.0
• HSFP2 up to .....	7.8	8.5	8.1
• Factory Supplied Charge .....	R-454B	R-454B	R-454B
• All-Aluminum Coil.....	✓	✓	—
• Scroll Compressor For Quiet & Reliable Operation.....	✓	✓	—
• Inverter Compressor With Tonnage Dip Switch (4T->3.5T, 3T->2.5T, 2T->1.5T) .....	—	—	✓
• Small Unit Footprint For Tight Spaces (1.5-5 Tons).....	✓	✓	—
• Quiet Operation   76dB.....	✓	✓	—
• Quiet Operation   58dB.....	—	—	✓
• Pre-Painted Steel Cabinet & Base Pan .....	✓	✓	✓
• 5-Year Functional Parts Limited Warranty .....	✓	✓	✓
• 10-Year Functional Parts Warranty With Product Registration* .....	✓	✓	✓
• Commercial Applications: Limited Warranty. All Other Functional Parts 1 Year.....	✓	✓	✓

\* Registered Limited Warranty terms are available when you register within 60 days of installation. You can register online at RunTruHVAC.com or by phone at 855-260-2975, otherwise Trane's Base Limited Warranty terms will apply. Base Limited Warranty information on specific products can be found on ComfortSite.com. Product Registration and Registration Transfer exclusions vary in the US from state to state and in Canada from province to province. To determine if there are specific exclusions for your state or province check your local laws.

**Table RTSH-2-B – Optional Accessories**

Model Number	Description			
AY28X079 .....	Evap. Defrost Control Kit .....	✓	✓	—
BAYCCHT301RES.....	Crankcase Heater Kit (Scroll).....	3.5 - 5.0	3.5 - 5.0	—
BAYCCHT302RES.....	Crankcase Heater Kit (Scroll).....	1.5 - 3.0	1.5 - 3.0	—
BAYISLT101 .....	Rubber Isolators.....	✓	✓	—
BAYLOAM108.....	External Low Ambient Kit.....	1.5 - 3.0	1.5 - 3.0	—
BAYLEGS007.....	Snow Legs - 7" High (Black) .....	✓	✓	—
BAYLEGS004.....	Snow Legs - 4" High (Black) .....	✓	✓	—
BAYKSKT267.....	External Start Kit .....	✓	✓	—
BAYSDEN003 .....	Small Scroll Compressor Enclosures .....	1.5 - 3.0	1.5 - 3.0	—
BAYSDEN004 .....	Large Scroll Compressor Enclosures .....	3.5 - 5.0	3.5 - 5.0	—
TAYASCT501A.....	Anti-Short Cycle Timer.....	✓	✓	—



# Split System Air Handlers Single Phase 1½-5 Tons



**A5AHV**  
Variable Speed  
Air Handlers

**Table RTAH-1-A – R-454B Convertible Variable Speed Air Handler 208-230/1/60**

Model Number	Rated Capacity Range (BTUH)	Dimensions (in.) H x W x D	Shipping Weight (lbs.)	Supply Opening	Return Opening	Filter Sizes (in.)	Line Size* (in.)	
							Gas	Liquid
A5AHV002A1B30A	18K - 24K	46¾ x 18½ x 21⅞	126	12.15 x 16.50	18.75 x 16.75	①	¾	⅝
A5AHV003A1B30A	18K - 30K	46¾ x 18½ x 21⅞	126	12.15 x 16.50	18.75 x 16.75	①	¾	⅝
A5AHV004A1D30A	24K - 42K	51⅜ x 23½ x 21⅞	155	12.15 x 21.50	18.75 x 21.75	①	⅞	⅝
A5AHV005A1D30A	36K - 48K	51⅜ x 23½ x 21⅞	155	12.15 x 21.50	18.75 x 21.75	①	⅞	⅝
A5AHV006A1D30A	36K - 48K	57⅞ x 23½ x 21⅞	185	12.15 x 21.50	18.75 x 21.75	①	⅞	⅝
A5AHV007A1D30A	42K - 60K	57⅞ x 23½ x 21⅞	185	12.15 x 21.50	18.75 x 21.75	①	⅞	⅝



**A5AHC**  
Multi-position  
Air Handlers

**Table RTAH-1-B – R-454B Convertible Air Handler 208-230/1/60**

Model Number	Rated Capacity Range (BTUH)	Dimensions (in.) H x W x D	Shipping Weight (lbs.)	Supply Opening	Return Opening	Filter Sizes (in.)	Line Size* (in.)	
							Gas	Liquid
A5AHC002A1B30A	18K - 24K	45⅞ x 18½ x 21⅞	116	12.15 x 16.50	18.75 x 16.75	①	¾	⅝
A5AHC003A1B30A	18K - 30K	46¾ x 18½ x 21⅞	126	12.15 x 16.50	18.75 x 16.75	①	¾	⅝
A5AHC004A1D30A	24K - 42K	51⅜ x 23½ x 21⅞	145	12.15 x 21.50	18.75 x 21.75	①	⅞	⅝
A5AHC005A1D30A	36K - 48K	51⅜ x 23½ x 21⅞	145	12.15 x 21.50	18.75 x 21.75	①	⅞	⅝
A5AHC006A1D30A	36K - 48K	51⅜ x 23½ x 21⅞	155	12.15 x 21.50	18.75 x 21.75	①	⅞	⅝
A5AHC007A1D30A	42K - 60K	57⅞ x 23½ x 21⅞	185	12.15 x 21.50	18.75 x 21.75	①	⅞	⅝

Electric heat kit available, reference installer's guide

① Filter not supplied. Remote filter required.

† For alternative line set sizes, please refer to the Application Guide or the Refrigerant Piping Program on ComfortSite. Visit page SH-1 to scan the QR code to launch the Refrigerant Piping Program Application.

**Table RTAH-1-C – Features**

	A5AHV	A5AHC
• Multi-Position Upflow / Downflow, Horizontal Left/Right .....	✓	✓
• Unpainted galvanized metal cabinet with captured foil faced insulation .....	✓	✓
• R-4.2 Insulating Valve .....	✓	✓
• Wipeable interior design .....	✓	✓
• 2% or less air leakage .....	✓	✓
• All Aluminum Coil with Enhanced Patented Coil Fin .....	✓	✓
• Factory Installed R-454B Thermal Expansion Valve with mechanical connections on both sides .....	✓	✓
• VSPD ECM Blower Motor .....	✓	-
• Electric Heaters with polarized plug connections* .....	✓	✓
• Low Voltage Pigtail Connections .....	✓	✓
• Fused 24V Power .....	✓	✓
• Maximum Width of 23.5" .....	✓	✓
• Compact Depth of 21.13" or less .....	✓	✓
• Draw Through Design .....	✓	✓
• Approved for manufactured home use .....	✓	✓
• 5-year functional parts limited warranty/No Registration Required .....	✓	✓
• 10-year functional parts warranty with product registration* .....	✓	✓
• Commercial Applications: Limited Warranty. All other functional parts 1 year .....	✓	✓

\* Registered Limited Warranty terms are available when you register within 60 days of installation. You can register online at RunTruHVAC.com or by phone at 855-260-2975, otherwise Trane's Base Limited Warranty terms will apply. Base Limited Warranty information on specific products can be found on ComfortSite.com. Product Registration and Registration Transfer exclusions vary in the US from state to state and in Canada from province to province. To determine if there are specific exclusions for your state or province check your local laws.



# Split System Air Handlers Single Phase 1½-5 Tons

Table RTAH-2-A – Optional Accessories

Model Number	Description	Matches Cabinet Size (in.)	A5AHV	A5AHC
BAYTEMSPFG1A	Supply Duct Flange Kit	18.5" and 23.5"	✓	✓
BAYSPEKT201A	Single Point Power Entry Kit	18.5" and 23.5"	✓	✓ <sup>①</sup>
TAYBASE185	Air Handler Downflow Sub-Bases	18.5"	✓	✓
TAYBASE235 (TAYBASE 100)	Air Handler Downflow Sub-Bases	23.5"	✓	✓
BAYSF1185AAA	Slim Fit Filter Box	18.5"	✓	✓
BAYSF1235AAA	Slim Fit Filter Box	23.5"	✓	✓
FLRSF1185	1" Slim Fit Replacement Filter, 17.75"x19.75", Qty 12	18.5"	✓	✓
FLRSF1235	1" Slim Fit Replacement Filter, 22.75"x19.75", Qty 12	23.5"	✓	✓
TEMBRKSEALKT01A	Breaker Seal Kit for sure with BAYHTR15 4kW – 20kW Heaters	18.5" and 23.5"	✓	✓
BAYAHEMIKIT001	Air handler Electronic Noise Kit used on Variable Speed Blower Motor	18.5" and 23.5"	✓	✓
BAYAH120VKT	120V Conversion Kit	18.5" and 23.5"	✓	–

① Downflow condensate management kit is required for 5 Ton downflow models.

RunTru™  
Air Handlers/Heaters



# Heaters for Split System Air Handlers

**Table RTAH-3-A – BAYHTR15 – Heater, Standard, for A5AHC and A5AHV Air Handlers**

Heater Model Number	Capacity @ 240 Volts		Capacity @ 208 Volts		Rated Voltage	Control Stages	Number of Heater Racks	Number of Circuits	Heater Amps per Circuit		Contains Circuit Breakers
	kW	BTUH	kW	BTUH					208 Volts	240Volt	
BAYHTR1504BRK	3.84	13100	2.88	9800	208/240/1/60	1	1	1	13.8	16	Yes
BAYHTR1504LUG	3.84	13100	2.88	9800	208/240/1/60	1	1	1	13.8	16	No
BAYHTR1505BRK	4.80	16400	3.60	12300	208/240/1/60	1	1	1	17.3	20	Yes
BAYHTR1505LUG	4.80	16400	3.60	12300	208/240/1/60	1	1	1	17.3	20	No
BAYHTR1508BRK	7.68	26200	5.76	19700	208/240/1/60	1	1	1	27.7	32	Yes
BAYHTR1508LUG	7.68	26200	5.76	19700	208/240/1/60	1	1	1	27.7	32	No
BAYHTR1510BRK	9.60	32800	7.20	24600	208/240/1/60	1	2	1	34.6	40	Yes
BAYHTR1510LUG	9.60	32800	7.20	24600	208/240/1/60	1	2	1	34.6	40	No
BAYHTR3510LUG	14.4	49200	10.8	36900	208/240/3/60	1	3	1	30.0	34.6	No
BAYHTR1517BRK	14.4	49200	10.8	36900	208/240/1/60	2	3	2	51.9	60	Yes
BAYHTR3517LUG	14.4	49200	10.8	36900	208/240/1/60	2	3	2	51.9	60	No
BAYHTR1523BRK	19.2	65600	14.4	49200	208/240/1/60	2	4	2	69.2	80	Yes
BAYHTR1525BRK	24.0	82000	18.0	61600	208/240/1/60	2	4	2	86.4	100	Yes

BRK = Contains circuit breakers | LUG = Lug connections

**Table RTAH-3-B – A5AHC, A5AHV Air Handler and Heater matches**

AIR HANDLER	HEATER MATRIX				
	HEATER MODEL NUMBER				
MODEL NUMBER	BAYHTR1504BRKC BAYHTR1504LUGB 3.84 kW	BAYHTR1508BRKC BAYHTR1508LUGB 7.68 kW	BAYHTR1517BRKC BAYHTR3517LUGB 14.40 kW	BAYHTR1523BRKC 19.20 kW	BAYHTR1525BRKC 24.00 kW
	BAYHTR1505BRKC BAYHTR1505LUGB 4.80 kW	BAYHTR1510BRKC BAYHTR1510LUGB BAYHTR3510LUGC 9.60 kW			
A5AHC002A1B30A	Y	Y			
A5AHC003A1B30A	Y	Y	Y		
A5AHC004A1D30A	Y	Y	Y	Y	
A5AHC005A1D30A	Y	Y	Y	Y	
A5AHC006A1D30A	Y	Y	Y	Y	Y
A5AHC007A1D30A	Y	Y	Y	Y	Y
A5AHV002A1B30A	Y	Y	Y		
A5AHV003A1B30A	Y	Y	Y		
A5AHV004A1D30A	Y	Y	Y	Y	
A5AHV005A1D30A	Y	Y	Y	Y	
A5AHV006A1D30A	Y	Y	Y	Y	Y
A5AHV007A1D30A	Y	Y	Y	Y	Y



# 5TMM5 Wall, Stud, or Over the Water Heater Mount Air Handlers Single Phase 1½-3 Tons



**Table RTAH-4-A – 5TMM5 R-454B Wall, Stud, or Over the Water Heater Mount Air Handler 208-230/1/60, ECM Motor, all aluminum coil, Cooling & Limited Heating**

Unit Model No.	Cooling Capacity (Btuh)	Dimensions (in.) H x W x D	Shipping Weight (lbs.)	Supply Opening	Filter Sizes	Service Valve Connection Size† (in.)	
						Gas	Liquid
5TMM5B0A30M21SA	18K-30K	36 x 20.5 x 15	80	12 x 9.25	14 x 18 x 1⓪	¾	⅜
5TMM5B0B30M21SA	18K-30K	40.5 x 22 x 18.75	102	10 x 8.25	20 x 20 x 1⓪	¾	⅜
5TMM5B0B36M31SA	30K-36K	40.5 x 22 x 18.75	102	11.5 x 10	20 x 20 x 1⓪	¾	⅜
5TMM5B0C36M31SA	30K-36k	36 x 24 x 21	90	12 x 12	20 x 20 x 1⓪	¾	⅜

⓪ Filter included. Remote filter required.

† For alternative line set sizes, please refer to the Application Guide or the Refrigerant Piping Program on ComfortSite. Visit page SH-1 to scan the QR code to launch the Refrigerant Piping Program Application.

**Table RTAH-4-B – Features**

	5TMM5 1.5-3
• Painted metal cabinet with captured foil face insulation .....	✓
• 2% or less air leakage .....	✓
• All aluminum coil .....	✓
• Direct drive, multi-speed ECM blower motor - Constant torque ECM (electronically commutated motor) with fan-off time delay programming.....	✓
• Limited HP matched system ratings .....	✓
• R-4.2 Insulating Value .....	✓
• Upflow only .....	✓
• Front return option .....	✓
• Electric Heaters with polarized plug connections (sold as accessory) .....	✓
• Factory Installed R-454B Thermal Expansion Valve.....	✓
• Low Voltage Pigtail Connections .....	✓
• Single Color .....	✓
• Fused 24V Power .....	✓
• Wipeable interior design.....	✓
• Maximum Height 40.5".....	✓
• Maximum Width 24" .....	✓
• Compact 21" depth .....	✓
• 10-year functional parts warranty with product registration* .....	✓
• Commercial Applications: Limited Warranty. All other functional parts 1 year .....	✓

\* Registered Limited Warranty terms are available when you register within 60 days of installation. You can register online at RunTruHVAC.com or by phone at 855-260-2975, otherwise Trane's Base Limited Warranty terms will apply. Base Limited Warranty information on specific products can be found on ComfortSite.com. Product Registration and Registration Transfer exclusions vary in the US from state to state and in Canada from province to province. To determine if there are specific exclusions for your state or province check your local laws.

## Heaters for 5TMM5 Split System Air Handlers

**Table RTAH-4-C – BAYHTRM – Heater, Standard, for 5TMM Air Handlers**

Air Handler	Heater Model Number	Capacity@ 240 Volts		Capacity@ 208 Volts		Rated Voltage	Control Stages	Number of Heater Racks	Number of Circuits	Heater Amps per Circuit		Contains Circuit Breakers
		kW	BTUH	kW	BTUH					208 Volts	240Volt	
5TMM5B0A30M21SA & 5TMM5B0B30M21SA	BAYHTRA505BRK	4.8	12600	3.6	16400	208/240/1/60	1	1	1	17.30	20.00	Yes
	BAYHTRA508BRK	8	20500	6	27300	208/240/1/60	1	2	1	28.80	33.30	Yes
	BAYHTRA510BRK	9.6	24500	7.2	32800	208/240/1/60	1	2	1	34.60	40.00	Yes
5TMM5B0C36M31SA & 5TMM5B0B36M31SA	BAYHTRA505BRK	4.8	12600	3.6	16400	208/240/1/60	1	1	1	17.30	20.00	Yes
	BAYHTRA508BRK	8	20500	6	27300	208/240/1/60	1	2	1	28.80	33.30	Yes
	BAYHTRA510BRK	9.6	24500	7.2	32800	208/240/1/60	1	2	1	34.60	40.00	Yes

For complete equipment combination selections, see Ratings. For detailed product information, see Product and Submittal Data or Installation, Operation, and Maintenance manual. For warranty information, please see Base Limited Warranty.

RunTru™ Air Handlers/Heaters



# Split System – Cased Heat Pump and Cooling Coils



**5MXC  
Multi-Position  
Cased Coils**

**Table RTCOIL-1-A – Aluminum Single Stage Cased Coil (Upflow/Downflow/Horizontal)  
R-454B Refrigerant**

Model Number	Cooling Capacity Range (Tons)	Coil Type	Refrigerant Control	Outlet Dim. (in.) W/H x D	Overall Dim. (in.) H x W x D	Shipping Weight (lbs.)	Line Size OD Gas	Line Size OD Liq.
5MXCA003AC6HCA ②	1.5-3.0	A	FCCV ①	13 x 19	20 x 14½ x 21	48	¾	¾
5MXCB004AC6HCA ②	1.5-3.0	A	FCCV ①	16 x 19	20 x 17½ x 21	51	¾	¾
5MXCC005AC6HCA ②	1.5-3.0	A	FCCV ①	19½ x 19	20 x 21 x 21	55	7/8	¾
5MXCB006AC6HCA ②	1.5-3.5	A	FCCV ①	16 x 19	26 x 17½ x 21	64	¾	¾
5MXCC007AC6HCA ②	1.5-3.5	A	FCCV ①	19 ½ x 19	26 x 21 x 21	66	7/8	¾
5MXCD008AC6HCA ②	3.0-3.5	A	FCCV ①	23 x 19	26 x 24½ x 21	70	7/8	¾
5MXCC009AC6HCA ②	3.0-5.0	A	FCCV ①	19½ x 19	30 x 21 x 21	88	7/8	¾
5MXCD010AC6HCA ②	3.0-5.0	A	FCCV ①	23 x 19	30 x 24½ x 21	93	7/8	¾

- ① All coils shipped with a Fixed Metering Device (Flow Control Check Valve - FCCV). Some rated combinations require a TXV kit, ordered separately. See the coil Installer's Guide for Orifice and TXV matches.  
 ② Orifice Kit for all size orifices provided upon shipment from factory or orderable KIT20633

**Table RTCOIL-1-B – Features**

	5MXC
• All aluminum coil .....	✓
• 100% foil lined insulation .....	✓
• Factory installed fixed orifice. Additional orifices supplied. ....	✓
• Optional accessory TXV Kit with mechanical fittings available for higher performance ratings ① .....	✓
• Easy case attachment to furnace .....	✓
• Upflow application .....	✓
• Downflow application .....	✓
• Horizontal Right application .....	✓
• Horizontal Left application .....	✓
• Factory installed Refrigerant Detection System ② .....	✓
• Single sloped non-corrosive drain pan .....	✓
• 10-year limited warranty on coil, & all other functional parts, with registration* .....	✓
• Commercial Applications: Limited Warranty Coil and Parts 1 year .....	✓

- ① Reference AHRI ratings to find correct TXV kit or reference Product Data for additional information.  
 ② 5MXC ships with a factory installed RDS and field-installed MCB for all R-454B installations.  
 \* Registered Limited Warranty terms are available when you register within 60 days of installation. You can register online at RunTruHVAC.com or by phone at 855-260-2975, otherwise Trane's Base Limited Warranty terms will apply. Base Limited Warranty information on specific products can be found on ComfortSite.com. Product Registration and Registration Transfer exclusions vary in the US from state to state and in Canada from province to province. To determine if there are specific exclusions for your state or province check your local laws.

**Table RTCOIL-1-C – Refrigerant TXV Kits for 5MXC Coils**

Tons	R-454B TXV Kit (if required)
1.5 - 3.0	5AYTXVH3A1836A
3.5 - 4.0	5AYTXVH3A4248A
5.0	5AYTXVH3A6000A



# A801X - Single Stage, ECM



**A801X  
(except A60K)  
Gas Furnace**



**A801X A60K  
Gas Furnace**

**Table RTFUR-1-A – A801X, Constant Torque ECM, 1 stage, 80% AFUE Gas Furnace**

Model Number	CA Low NOx Model Number <sup>②</sup>	Input (BTUH)	AFUE	Flue Size (in.)	Ignition Device	Uncrated Dimensions (in.)			Shipping Weight (lbs.)	Max. Fuse*	Filter Sizes
						H	W	D			
A801X040AM3SD*	A801X040AM3TD*	40,000	80.0	4	①	34	14.5	28.75	128	15	16x25x1
A801X040BM2SD*	A801X040BM2TD*	40,000	80.0	4	①	34	17.5	28.75	102	15	14x25x1
A801X060AM3SD*	–	60,000	80.0	4	①	34	14.5	28.75	119	15	16x25x1
A801X060BM4SD*	A801X060BM4TD*	60,000	80.0	4	①	34	17.5	28.75	132	15	16x25x1
A801X080BM4SD*	A801X080BM4TD*	80,000	80.0	4	①	34	17.5	28.75	137	15	16x25x1
A801X080CM5SD*	A801X080CM5TD*	80,000	80.0	4	①	34	21	28.75	142	15	20x25x1
A801X100CM5SD*	A801X100CM5TD*	100,000	80.0	4	①	34	21	28.75	144	15	20x25x1
A801X120DM5SD*	A801X120DM5TD*	120,000	80.0	4	①	34	24.5	28.75	160	15	24x25x1

① Silicon Nitride Igniter.

② These models comply with California 40 ng/J Low NOx regulations.

\* Information subject to change. Please confirm with current Product Data/Service Facts for current factory production.

## A801X High Altitude Kits

**Table RTFUR-1-B – High Altitude Pressure Switch A801X Furnaces**

Model Number	Description	Used With	Shipping Weight
BAYSWT14AHALTB	1 Switch	A801X080CM5SC* <sup>①</sup> , A801X100CM5SC* <sup>①</sup>	2
BAYSWT15AHALTA	1 Switch	A801X060BM3SC* <sup>①</sup> , A801X060BM4SC* <sup>①</sup> , A801X080BM4SC* <sup>①</sup>	2
BAYSWT20AHALTA	1 Switch	A801X026AM2SC* <sup>①</sup>	2
BAYSWT21AHALTA	1 Switch	A801X040AM3SC* <sup>①</sup> , A801X040BM2SC* <sup>①</sup>	2

Note: A801X120DM5 does not require a high altitude pressure switch kit.

① SAC and TAC or later



# A801X - Single Stage, ECM

RunTru™  
Furnaces

**Table RTFUR-2-A – Features**

	A801X (except A60K)	A60K
• AFUE .....	80%	80%
• 34" cabinet height .....	✓	✓
• 4-Way Poise (Upflow, Downflow, Horizontal Left, Horizontal Right).....	✓	✓
• Tubular Aluminized Steel Heat Exchanger .....	✓	✓
• FER compliant .....	✓	✓
• Gas can enter either side of cabinet.....	✓	✓
• Multiple furnace venting options in each poise .....	—	✓
• Integrated Furnace Control board with digital configuration, status, and fault codes.....	✓	✓
• Alpha-numeric diagnostic codes.....	✓	✓
• Adjustable blower off delay for heating and cooling.....	✓	✓
• Meets requirements for 1.4% cabinet air leakage.....	✓	—
• Meets requirements for 2.0% cabinet air leakage .....	—	✓
• Front service access with easily accessible burners, sensors, orifices, switches, and other components.....	✓	—
• Cabinet has no knockouts - Rubber and plastic plugs come installed from factory .....	✓	✓
• Multiple venting options - Every model, every size will offer two venting options.....	✓	—
• Longer IFC wire harnesses allow blower door to be removed without disconnecting the harness.....	✓	—
• Alternate bottom/left/right return air (except downflow).....	✓	✓
• Bottom panel .....	✓	✓
• Multi-port in shot burners.....	✓	✓
• Silicon Nitride 120V hot surface igniter .....	✓	✓
• Direct drive, 9 Speed Constant Torque ECM Blower Motor .....	✓	—
• Direct drive, 5 Speed Constant Torque ECM Blower Motor .....	—	✓
• Heavy gauge reinforced wrap-around steel cabinet .....	✓	✓
• Service diagnostics with faults reported on IFC board .....	✓	✓
• Manual reset flame roll out switches.....	✓	—
• Slide out blower assembly on full-length rails.....	✓	✓
• Side return duct starter tabs .....	✓	✓
• Multiple heating blower speeds .....	✓	✓
• 5-year functional parts limited warranty/No Registration Required.....	✓	✓
• 10-year functional parts warranty with product registration* .....	✓	✓
• <b>Commercial Applications: Limited Warranty Heat exchangers 20 years. All other functional parts 1 year .....</b>	✓	✓

\* Registered Limited Warranty terms are available when you register within 60 days of installation. You can register online at RunTruHVAC.com or by phone at 855-260-2975, otherwise Trane's Base Limited Warranty terms will apply. Base Limited Warranty information on specific products can be found on ComfortSite.com. Product Registration and Registration Transfer exclusions vary in the US from state to state and in Canada from province to province. To determine if there are specific exclusions for your state or province check your local laws.

**Table RTFUR-2-B – Optional Accessories (excludes A60K Model)**

Model Number	Description	Shipping Weight	A801X (except 026)
BAYLPSS400C.....	LP Kit with Stainless Steel Burners.....	3.....	✓
BAYHANG .....	Horizontal hanging kit .....	2.....	✓
BAYSF1165A .....	1" SlimFit Box with MERV 4 Filter (side return) .....	5.....	✓
BAYFLTR203.....	Horizontal Filter Kit for B Cabinets .....	5.....	✓
BAYFLTR204.....	Horizontal Filter Kit for C Cabinets .....	5.....	✓
BAYFLTR205.....	Horizontal Filter Kit for D Cabinets .....	5.....	✓
BAYVENT600A1 .....	Internal venting kit .....	11.....	✓
BAYVENT800B.....	Masonry Chimney Vent Kit .....	11.....	✓
PIP02095.....	U fitting for gas piping .....	1.....	✓
BAYLIFTB.....	Dual return kit. B cabinet size extension .....	8.....	✓
BAYLIFTC .....	Dual return kit. C cabinet size extension .....	9.....	✓
BAYLIFTD .....	Dual return kit. D cabinet size extension .....	9.....	✓
BAYBASE205.....	Downflow subbase .....	8.....	✓
BAYFLTR206.....	Filter Access Door Kit (Downflow only) .....	2.....	✓
BAYSF1165.....	16x20 1" side return filter rack .....		✓
BAYSF1255.....	16x25 1" side return filter rack (bottom return for 17.5" cabinets).....		✓
BAYBURNERSS.....	Stainless steel natural gas burner kit.....		✓

Ⓢ Compatible with B, C, and D width cabinets.

**Comfort Controls – See Comfort Controls/Zone Sensors Section**



## A951X - Single Stage, ECM



**A951X  
Gas Furnace**

**Table RTFUR-3-A – A951X Constant Torque ECM, 1 Stage, 95-96% AFUE, Upflow Gas Furnace**

Model Number	Input (BTUH)		ICS AFUE <sup>②</sup>	Flue Size (in.)	Ignition Device	Uncrated Dimensions (in.)			Shipping Weight (lbs.)	Max. Fuse*	Filter Sizes
	1st Stage	2nd Stage				H	W	D			
A951X040BU3SA*	40,000		96.0	2, 3, 4	①	34	17.5	28.75	122	15	16x25x1
A951X060BU4SA*	60,000		96.0	2, 3, 4	①	34	17.5	28.75	130	15	16x25x1
A951X080BU4SA*	80,000		96.0	2, 3, 4	①	34	17.5	28.75	135	15	16x25x1
A951X080CU5SA*	80,000		96.0	2, 3, 4	①	34	21	28.75	149	15	20x25x1
A951X100CU5SA*	100,000		95.0	2, 3, 4	①	34	21	28.75	155	15	20x25x1
A951X120DU5SA*	120,000		95.0	3, 4	①	34	24.5	28.75	167	15	24x25x1

**Table RTFUR-3-B – A951X Constant Torque ECM, 1 Stage, 95-96% AFUE, Downflow Gas Furnace**

Model Number	Input (BTUH)		ICS AFUE <sup>②</sup>	Flue Size (in.)	Ignition Device	Uncrated Dimensions (in.)			Shipping Weight (lbs.)	Max. Fuse*	Filter Sizes
	1st Stage	2nd Stage				H	W	D			
A951X040BD3SA*	40,000		96.0	2, 3, 4	①	34	17.5	28.75	122	15	(2) 14x20x1
A951X060BD3SA*	60,000		96.0	2, 3, 4	①	34	17.5	28.75	127	15	(2) 14x20x1
A951X080BD4SA*	80,000		95.0	2, 3, 4	①	34	17.5	28.75	135	15	(2) 14x20x1
A951X100CD5SA*	100,000		96.0	2, 3, 4	①	34	21	28.75	155	15	(2) 16x20x1
A951X120DD5SA*	120,000		95.0	3, 4	①	34	24.5	28.75	167	15	(2) 16x20x1

① Silicon Nitride Igniter.

② Isolated Combustion System. AFUE may vary based on poise.

For Energy Star Information, please refer to: <https://www.ahridirectory.org/>

## A952V - Two Stage, Variable Speed ECM



**A952V  
Gas Furnace**

**Table RTFUR-3-C – A952V Variable Speed, 2 Stage, 96% AFUE, Upflow Gas Furnace**

Model Number	Input (BTUH)		ICS AFUE <sup>②</sup>	Flue Size (in.)	Ignition Device	Uncrated Dimensions (in.)			Shipping Weight (lbs.)	Max. Fuse*	Filter Sizes
	1st Stage	2nd Stage				H	W	D			
A952V040BU3SB*	26,000	40,000	96.0	2, 3, 4	①	34	17.5	28.75	122	15	16x25x1
A952V060BU4SB*	39,000	60,000	96.0	2, 3, 4	①	34	17.5	28.75	130	15	16x25x1
A952V080BU4SB*	52,000	80,000	96.0	2, 3, 4	①	34	17.5	28.75	135	15	16x25x1
A952V080CU5SB*	52,000	80,000	96.0	2, 3, 4	①	34	21	28.75	149	15	20x25x1
A952V100CU5SB*	65,000	100,000	96.0	2, 3, 4	①	34	21	28.75	155	15	20x25x1
A952V120DU5SB*	78,000	120,000	96.0	3, 4	①	34	24.5	28.75	167	15	24x25x1

**Table RTFUR-3-D – A952V Variable Speed, 2 Stage, 96% AFUE, Downflow Gas Furnace**

Model Number	Input (BTUH)		ICS AFUE <sup>②</sup>	Flue Size (in.)	Ignition Device	Uncrated Dimensions (in.)			Shipping Weight (lbs.)	Max. Fuse*	Filter Sizes
	1st Stage	2nd Stage				H	W	D			
A952V040BD3SB*	26,000	40,000	96.0	2, 3, 4	①	34	17.5	28.75	122	15	14x20x1
A952V060BD3SB*	39,000	60,000	96.0	2, 3, 4	①	34	17.5	28.75	127	15	14x20x1
A952V080BD4SB*	52,000	80,000	96.0	2, 3, 4	①	34	17.5	28.75	135	15	14x20x1
A952V100CD5SB*	65,000	100,000	96.0	2, 3, 4	①	34	21	28.75	155	15	16x20x1
A952V120DD5SB*	78,000	120,000	96.0	3, 4	①	34	24.5	28.75	167	15	16x20x1

① Silicon Nitride Igniter.

② Isolated Combustion System. AFUE may vary based on poise.

For Energy Star Information, please refer to: <https://www.ahridirectory.org/>

\* Information subject to change. Please confirm with current Product Data/Service Facts for current factory production.



# 95+% AFUE Furnaces

RunTru™  
Furnaces

**Table RTFUR-4-A – Features**

	A951X Constant Torque	A952V Variable Speed
• AFUE .....	Up to 96%	96%
• Direct drive, variable speed ECM blower motor - Constant airflow ECM (electronically commutated motor) ....	—	✓
• Two stage combination gas valve and regulator .....	—	✓
• Constant Torque Electronically Commutated Motor (ECM) .....	✓	—
• Single-stage combination gas valve and regulator .....	✓	—
• 34" cabinet height .....	✓	✓
• 3 Way poise Upflow furnace model (Upflow, Horizontal Left, Horizontal Right) .....	✓	✓
• 29–4C Stainless Steel Secondary Heat Exchanger .....	✓	✓
• Adjustable blower off delay for heating and cooling .....	✓	✓
• Alternate bottom/left/right return air (upflow models only) .....	✓	✓
• Bottom panel .....	✓	✓
• Cabinet has no knockouts - Rubber and plastic plugs come installed from factory .....	✓	✓
• Condensate can exit either side of cabinet in Upflow orientation .....	✓	✓
• Dedicated Downflow furnace model .....	✓	✓
• FER compliant .....	✓	✓
• Front service access with easily accessible burners, sensors, orifices, switches, and other components .....	✓	✓
• Gas can enter either side of cabinet .....	✓	✓
• Gasketed inner and outer door .....	✓	✓
• Heavy gauge reinforced wrap-around steel cabinet .....	✓	✓
• Alpha-numeric diagnostic codes .....	✓	✓
• Last six fault codes are stored (even with power loss) .....	✓	✓
• Left/right condensate drain capability in vertical application .....	✓	✓
• Longer IFC wire harnesses allow door to be removed without disconnecting the harness .....	✓	✓
• Manual reset flame roll out switches .....	✓	✓
• Meets requirements for 1.4% cabinet air leakage .....	✓	✓
• Mobile home approved with mobile home kit .....	✓	✓
• Multiple heating blower speeds .....	✓	✓
• Multiple venting options - Every model, every size will offer two venting options .....	✓	✓
• Multi-port in shot burners .....	✓	✓
• Integrated Furnace Control board with digital configuration, status, and fault codes .....	✓	✓
• Service diagnostic capabilities .....	✓	✓
• Service diagnostics with faults reported on IFC board .....	✓	✓
• Side return duct starter tabs (upflow models only) .....	✓	✓
• Silicon Nitride 120V hot surface igniter .....	✓	✓
• Slide out blower assembly on full-length rails .....	✓	✓
• Tubular Stainless Steel Primary Heat Exchanger .....	✓	✓
• <b>5-year functional parts limited warranty/Production Registration Not Required</b> .....	✓	✓
• <b>10-year functional parts warranty/product registration required*</b> .....	✓	✓
• <b>Commercial Applications: Limited Warranty Heat exchangers 20 years. All other functional parts 1 year</b> .....	✓	✓

\* Registered Limited Warranty terms are available when you register within 60 days of installation. You can register online at RunTruHVAC.com or by phone at 855-260-2975, otherwise Trane's Base Limited Warranty terms will apply. Base Limited Warranty information on specific products can be found on ComfortSite.com. Product Registration and Registration Transfer exclusions vary in the US from state to state and in Canada from province to province. To determine if there are specific exclusions for your state or province check your local laws.



# 95+% AFUE Furnaces

**Table RTSC-5-A – Optional Accessories**

Model Number	Description	Shipping Weight	A951X Constant Torque	A952V Variable Speed
BAYLPSS400B.....	LP Kit with Stainless Steel Burners.....	3.....	✓	✓
BAYHANG .....	Horizontal hanging kit.....	2.....	✓	✓
BAYVENT200B.....	Sidewall vent Termination Kit fo Direct vent furnaces .....	2.....	✓	✓
BAYVENTCN200B .....	Sidewall vent Termination Kit fo Direct vent furnaces for Canadian applications .....	2.....	✓	✓
BAYAIR30AVENTA .....	Concentric vent kit for 2, 2½ and 3" vent system .....	11.....	✓	✓
BAYAIR30CNVENT .....	Concentric vent kit for 2, 2½ and 3" vent system for Canadian applications ....	11.....	✓	✓
BAYREDUCE .....	Reducer Coupling for Canadian applications (CPVC) .....	1.....	✓	✓
BAYLIFTB.....	Dual return kit. B size extension.....	8.....	✓	✓
BAYLIFTC .....	Dual return kit. C size extension.....	9.....	✓	✓
BAYLIFTD .....	Dual return kit. D size extension.....	9.....	✓	✓
BAYMFGH200B .....	Manufactured/mobile home kit .....	1.....	✓	✓
BAYCNDTRAP2A.....	In-line condensate collector for 2" PVC pipe .....	1.....	✓	✓
BAYCNDTRAP3A.....	In-line condensate collector for 3" PVC pipe .....	1.....	✓	✓
BAYBASE205.....	Downflow subbase .....	8.....	✓	✓
BAYFLTR206.....	Filter Access Door Kit (Downflow only) .....	2.....	✓	✓
BAYSF1165.....	16x20 1" side return filter rack .....		✓	✓
BAYSF1255.....	16x25 1" side return filter rack (bottom return for 17.5" cabinets).....		✓	✓
BAYBURNERSS.....	Stainless steel natural gas burner kit.....		✓	✓



# Packaged Cooling Convertible 2-5 Tons



**A5PA3  
1-Phase**

**Table RTPK-1-A – 13.4 SEER2 - A5PA3 Air Conditioner Packaged - R-454B**

Model Number	Cooling Capacity (BTUH) ①	SEER2/EER2	Shipping Weight (lbs.)	MCA ②	Max. Fuse	Sound Rating	Uncrated Dimensions (in.) HxDxW
<b>A5PA3 (13.4 SEER2) - 208-230/1/60</b>							
A5PA3024A1000AA	24000	13.4/10.6	436	16	25	67	36 x 42 x 49
A5PA3030A1000AA	28400	13.4/10.6	454	21	30	70	38 x 42 x 49
A5PA3036A1000AA	36800	13.4/10.6	458	28	40	71.4	38 x 42 x 49
A5PA3042A1000AA	40000	13.4/10.6	564	26	40	75	36 x 45 x 59
A5PA3048A1000AA	47500	13.4/10.6	564	36	50	73	40 x 45 x 59
A5PA3060A1000AA	58500	13.4/10.6	589	41	60	76	40 x 45 x 59

① Rated in accordance with AHRI Standard 210/240.  
 ② Calculated in accordance with currently prevailing Nat'l Electrical Code.

**Table RTPK-1-B – Features**

	A5PA3
• SEER2 up to .....	13.40
• All-aluminum coil.....	2-4
• Copper Tube/Aluminum Fin indoor coil (5-Ton only) .....	5
• All steel louvers .....	✓
• Ease of installation .....	✓
• Suitable for Manufactured Homes .....	✓
• Factory Supplied Charge.....	R-454B
• Factory installed Refrigerant Detection Sensor.....	✓
• Limited Warranty: 5-year Compressor and coil, 5-year All Other Functional Parts .....	✓
• Registered Warranty: 10-year Compressor and coil, 10-year All Other Functional Parts .....	✓
• Extended warranties available.....	✓

\* Registered Limited Warranty terms are available when you register within 60 days of installation. You can register online at RunTruHVAC.com or by phone at 855-260-2975, otherwise Trane's Base Limited Warranty terms will apply. Base Limited Warranty information on specific products can be found on ComfortSite.com. Product Registration and Registration Transfer exclusions vary in the US from state to state and in Canada from province to province. To determine if there are specific exclusions for your state or province check your local laws.

RunTru™  
Packaged Cooling



# Packaged Cooling Convertible 2-5 Tons

Table RTPK-2-A – Optional Accessories

Model Number	Description	Used with	Shipping Weight	A5PA3 1 Ph 2-5
BAYACCDOR1A...	Hinged Filter Access Door.....	BAYFLTR101C.....		2-3
BAYACCDOR2A...	Hinged Filter Access Door.....	BAYFLTR201C, (2) 18x20.....		3½-5
BAYADAP050A....	Adapter Curb (Cabinet A/B).....			2-3
BAYADAP051A....	Adapter Curb (Cabinet C).....			2-3
BAYADAP052A....	Adapter Curb (Cabinet A/B).....			3½-5
BAYADAP053A....	Adapter Curb (Cabinet C).....			3½-5
BAYADAP054A....	Adapter Curb (Cabinet D).....			3½-5
BAYASCT001.....	Anti-Short Cycle Timer.....	No Electronic Thermostats.....		✓
BAYCCHT102A....	Crankcase Heater (230V) (Scroll).....			3½-5
BAYCCHT103A....	Crankcase Heater (230V) (Scroll).....			2-3
BAYCURB050A....	Flat Roof Full Perimeter Curb (Insulated).....		74.....	2-3
BAYCURB051A....	Flat Roof Full Perimeter Curb (Insulated).....		74.....	3½-5
BAYEXMK001A....	Extreme Conditions Mounting Kit (Used on BAYCURB & BAYADAP).....			✓
BAYEXMK002B...	Extreme Conditions Mounting Kit (Used on BAYUTIL).....			✓
BAYEXMK003A....	Extreme Conditions Mounting Kit (Used on Slab Mounts).....			✓
BAYFLTR101C.....	1-2" Filter Frame-Requires one 18x25 filter (not included).....	Require Filter Frame.....	6.....	2-3
BAYFLTR201C.....	1-2" Filter Frame-Requires one 18x20, and one 18x18 filter (not included)....	Require Filter Frame.....	6.....	3½-5
BAYLIFT002B.....	Lifting Lug Kit.....		5.....	✓
BAYLOAM105B...	Low Ambient Control Kit.....		5.....	✓
BAYOSAH001A....	Manual Fresh Air Damper.....	Require Filter Frame.....	6.....	2-3
BAYOSAH002A....	Manual Fresh Air Damper.....	Require Filter Frame.....	8.....	3½-5
BAYQSTK300B....	Start Kit (not factory installed).....			✓
BAYUTIL101B.....	Roof Curb Extension Kit.....			2-3
BAYUTIL102B.....	Roof Curb Extension Kit.....			3½-5

RunTru™  
Packaged Cooling

	Single Power Entry Kit	Heater	A5PA3 Tonnage
1-Phase (208-230V)	BAYSPEK060J	BAYHTRG105A	2-5
		BAYHTRG108A	2-5
		BAYHTRG110A	2-4
	BAYSPEK062J	BAYHTRG110A	5
	BAYSPEK063J	BAYHTRG115A	2.5-5
		BAYHTRG120A	4-5

### Electric Heaters

1-Phase (208-230V) Model Number	BAYHTRG105A (3.76/5.0 KW)	BAYHTRG108A (6.0/8.0 KW)	BAYHTRG110A (7.50/10.0 KW)	BAYHTRG115A (11.27/15.0 KW)	BAYHTRG120A (15.0/20.0 KW)	BAYHTRG125A (18.78/25.0 KW)
A5PA3024A1	Y	Y	Y			
A5PA3030A1	Y	Y	Y	Y		
A5PA3036A1	Y	Y	Y	Y		
A5PA3042A1	Y	Y	Y	Y		
A5PA3048A1	Y	Y	Y	Y	Y	
A5PA3060A1	Y	Y	Y	Y	Y	Y

Comfort Controls – See Comfort Controls/Zone Sensors Section



# Packaged Heat Pump Convertible 2-5 Tons



**A5PH3  
1-Phase**

**Table RTPK-3-A — 13.4 SEER2 - A5PH3 Heat Pump Packaged - R-454B**

Model Number	Cooling Capacity (BTUH)	SEER2	EER High/Low	HSPF2	Shipping Weight (lbs.)	MCA	Max. Fuse	Sound Rating	Uncrated Dimensions (in.) HxDxW
<b>A5PH3 (13.4 SEER2) - 208-230/1/60</b>									
A5PH3024A1000AA	23800	13.4	10.6	6.7	404	19	30	66.4	36 x 42 x 49
A5PH3030A1000AA	29600	13.4	10.6	6.7	434	21	30	70	38 x 42 x 49
A5PH3036A1000AA	35200	13.4	10.6	6.7	444	26	40	70.9	38 x 42 x 49
A5PH3042A1000AA	43000	13.4	10.6	6.7	555	31	45	71.5	40 x 45 x 59
A5PH3048A1000AA	48000	13.4	10.6	6.7	535	36	50	72.5	40 x 45 x 59
A5PH3060A1000AA	57000	13.4	10.6	6.7	596	41	60	80	42 x 45 x 59

**Table RTPK-3-B — Features**

	A5PH3
• SEER2 up to .....	13.40
• HSPF2 up to .....	6.7
• Copper Tube/Aluminum Fin outdoor coil.....	2-5
• All Steel Louvers.....	✓
• Ease of installation.....	✓
• Factory Supplied Charge.....	R-454B
• Factory installed Refrigerant Detection Sensor.....	✓
• Suitable for Manufactured Homes .....	✓
• <b>Limited Warranty: 5-year Compressor and coil, 5-year All Other Functional Parts</b> .....	✓
• <b>Registered Warranty: 10-year Compressor and coil, 10-year All Other Functional Parts</b> .....	✓
• <b>Extended warranties available</b> .....	✓

\* Registered Limited Warranty terms are available when you register within 60 days of installation. You can register online at RunTruHVAC.com or by phone at 855-260-2975, otherwise Trane's Base Limited Warranty terms will apply. Base Limited Warranty information on specific products can be found on ComfortSite.com. Product Registration and Registration Transfer exclusions vary in the US from state to state and in Canada from province to province. To determine if there are specific exclusions for your state or province check your local laws.

RunTru™  
Packaged Heat Pump



# Packaged Heat Pump Convertible 2-5 Tons

Table RTPK-4-A – Optional Accessories

Model Number	Description	Used with	Shipping Weight	A5PH3 1 Ph 2-5
BAYACCDOR1A...	Hinged Filter Access Door.....	BAYFLTR101C.....		2-3
BAYACCDOR2A...	Hinged Filter Access Door.....	BAYFLTR201C, (2) 18x20.....		3½-5
BAYADAP050A....	Adapter Curb (Cabinet A/B).....			2-3
BAYADAP051A....	Adapter Curb (Cabinet C).....			2-3
BAYADAP052A....	Adapter Curb (Cabinet A/B).....			3½-5
BAYADAP053A....	Adapter Curb (Cabinet C).....			3½-5
BAYADAP054A....	Adapter Curb (Cabinet D).....			3½-5
BAYASCT001.....	Anti-Short Cycle Timer.....	No Electronic Thermostats.....		✓
BAYCCHT102A....	Crankcase Heater (230V) (Scroll).....			3½-5
BAYCCHT103A....	Crankcase Heater (230V) (Scroll).....			2-3
BAYCURB050A....	Flat Roof Full Perimeter Curb (Insulated).....		74.....	2-3
BAYCURB051A....	Flat Roof Full Perimeter Curb (Insulated).....		74.....	3½-5
BAYEXMK001A....	Extreme Conditions Mounting Kit (Used on BAYCURB & BAYADAP).....			✓
BAYEXMK002B....	Extreme Conditions Mounting Kit (Used on BAYUTIL).....			✓
BAYEXMK003A....	Extreme Conditions Mounting Kit (Used on Slab Mounts).....			✓
BAYFLTR101C.....	1-2" Filter Frame-Requires one 18x25 filter (not included).....	Require Filter Frame.....	6.....	2-3
BAYFLTR201C.....	1-2" Filter Frame-Requires one 18x20, and one 18x18 filter (not included)....	Require Filter Frame.....	6.....	3½-5
BAYLIFT002B.....	Lifting Lug Kit.....		5.....	✓
BAYLOAM105B....	Low Ambient Control Kit.....		5.....	✓
BAYOSAH001A....	Manual Fresh Air Damper.....	Require Filter Frame.....	6.....	2-3
BAYOSAH002A....	Manual Fresh Air Damper.....	Require Filter Frame.....	8.....	3½-5
BAYQSTK300B....	Start Kit (not factory installed).....			✓
BAYUTIL101B.....	Roof Curb Extension Kit.....			2-3
BAYUTIL102B.....	Roof Curb Extension Kit.....			3½-5

RunTru™  
Packaged Heat Pump

	Single Power Entry Kit	Heater	A5PH3 Tonnage
1-Phase (208-230V)	BAYSPEK060J	BAYHTRG105A	2-3.5
	BAYSPEK062J	BAYHTRG105A	4-5
		BAYHTRG108A	2-5
		BAYHTRG110A	2-5
	BAYSPEK063J	BAYHTRG115A	2.5-5
BAYHTRG120A		4-5	

### Electric Heaters

1-Phase (208-230v) Model Number	BAYHTRG105 (3.76/5.0 KW)	BAYHTRG108 (6.0/8.0 KW)	BAYHTRG110 (7.50/10.0 KW)	BAYHTRG115 (11.27/15.0 KW)	BAYHTRG120 (15.0/20.0 KW)	BAYHTRG125 (18.78/25.0 KW)
A5PH3024A1	Y	Y	Y			
A5PH3030A1	Y	Y	Y	Y		
A5PH3036A1	Y	Y	Y	Y		
A5PH3042A1	Y	Y	Y	Y		
A5PH3048A1	Y	Y	Y	Y	Y	
A5PH3060A1	Y	Y	Y	Y	Y	Y

Comfort Controls – See Comfort Controls/Zone Sensors Section



# Packaged Gas/Electric Convertible 2-5 Tons



**A5PG3  
1-Phase**

**Table RTPK-5-A — 13.4 SEER2 - A5PG3 Gas/Electric Packaged - R-454B**

Model Number	Cooling Capacity (BTUH)	High Capacity Output	SEER2	EER High/Low	AFUE (%)	Shipping Weight (lbs.)	MCA	Max. Fuse	Sound Rating	Uncrated Dimensions (in.) HxDxW
<b>A5PG3 (13.4 SEER2) - 208-230/1/60</b>										
A5PG3024A1060AA	24000	60,000	13.4	10.6	81%	436	16	25	66.6	36 x 42 x 49
A5PG3030A1070AA	28400	70,000	13.4	10.6	81%	455	21	30	70.0	38 x 42 x 49
A5PG3036A1070AA	36000	70,000	13.4	10.6	81%	443	28	40	71.4	38 x 42 x 49
A5PG3042A1090AA	40000	90,000	13.4	10.6	81%	564	26	40	74.6	36 x 45 x 59
A5PG3048A1090AA	47500	90,000	13.4	10.6	81%	564	36	50	72.5	40 x 45 x 59
A5PG3060A1115AA	58000	115,000	13.4	10.6	81%	589	41	60	76.0	40 x 45 x 59

**Table RTPK-5-B — Features**

	A5PG3
• SEER2 up to .....	13.40
• Factory Supplied Charge.....	R-454B
• Copper tube, aluminum fin indoor coil.....	5
• All aluminum indoor coil.....	2-4
• Factory installed Refrigerant Detection Sensor.....	✓
• Ease of installation.....	✓
• Suitable for Manufactured Homes.....	✓
• <b>Limited Warranty: 5-year Compressor and coil, 5-year All Other Functional Parts</b> .....	✓
• <b>Registered Warranty: 10-year Compressor and coil, 10-year All Other Functional Parts</b> .....	✓
• <b>Extended warranties available</b> .....	✓

\* Registered Limited Warranty terms are available when you register within 60 days of installation. You can register online at RunTruHVAC.com or by phone at 855-260-2975, otherwise Trane's Base Limited Warranty terms will apply. Base Limited Warranty information on specific products can be found on ComfortSite.com. Product Registration and Registration Transfer exclusions vary in the US from state to state and in Canada from province to province. To determine if there are specific exclusions for your state or province check your local laws.

RunTru™  
Packaged Gas/Electric



# Packaged Gas/Electric Convertible 2-5 Tons

Table RTPK-6-A – Optional Accessories

Model Number	Description	Used with	Shipping Weight	A5PG3 1 Ph 2-5
BAYACCDOR1A	Hinged Filter Access Door.....	BAYFLTR101C .....		2-3
BAYACCDOR2A	Hinged Filter Access Door.....	BAYFLTR201C, (2) 18x20 .....		3½-5
BAYADAP050A	.. Adapter Curb (Cabinet A/B).....			2-3
BAYADAP051A	.. Adapter Curb (Cabinet C) .....			2-3
BAYADAP052A	.. Adapter Curb (Cabinet A/B).....			3½-5
BAYADAP053A	.. Adapter Curb (Cabinet C) .....			3½-5
BAYADAP054A	.. Adapter Curb (Cabinet D) .....			3½-5
BAYASCT001	..... Anti-Short Cycle Timer.....	No Electronic Thermostats .....		✓
BAYCCHT102A	.. Crankcase Heater (230V) (Scroll).....			3½-5
BAYCCHT103A	.. Crankcase Heater (230V) (Scroll).....			2-3
BAYCURB050A	.. Flat Roof Full Perimeter Curb (Insulated) .....		74.....	2-3
BAYCURB051A	.. Flat Roof Full Perimeter Curb (Insulated) .....		74.....	3½-5
BAYEXMK001A	.. Extreme Conditions Mounting Kit (Used on BAYCURB & BAYADAP).....			✓
BAYEXMK002B	.. Extreme Conditions Mounting Kit (Used on BAYUTIL) .....			✓
BAYEXMK003A	.. Extreme Conditions Mounting Kit (Used on Slab Mounts) .....			✓
BAYFLTR101C	... 1-2" Filter Frame-Requires one 18x25 filter (not included).....	Require Filter Frame ... ..	6.....	2-3
BAYFLTR201C	... 1-2" Filter Frame-Requires one 18x20, and one 18x18 filter (not included). .....	Require Filter Frame ... ..	6.....	3½-5
BAYLIFT002C	.... Lifting Lug Kit .....		5.....	✓
BAYLOAM105B	.. Low Ambient Control Kit.....		5.....	✓
BAYLPKT100C	... LP Conversion Kit .....			40K, 120K
BAYLPKT101C	... LP Conversion Kit .....			64K, 70K, 96K
BAYLPKT102B	... LP Conversion Kit .....			75K
BAYLPKT103A	.. LP Conversion Kit .....			60K, 90K
BAYLPKT104A	.. LP Conversion Kit .....			115K
BAYOSAH001A	.. Manual Fresh Air Damper .....	Require Filter Frame ... ..	6.....	2-3
BAYOSAH002A	.. Manual Fresh Air Damper .....	Require Filter Frame ... ..	8.....	3½-5
BAYQSTK301C	.. Start Kit (not factory installed).....			✓
BAYUTIL101B	.... Roof Curb Extension Kit .....			2-3
BAYUTIL102B	.... Roof Curb Extension Kit .....			3½-5

Comfort Controls – See Comfort Controls/Zone Sensors Section



# Ductless Single Zone System Heat Pump



23 SEER2 Single Zone System

- Cooling efficiency range: 23 SEER2
- Heating efficiency range: Up to 10 HSPF2
- Low ambient heating to -13°F (-25°C)
- Nominal capacity range: 9–24 MBH
- Power supply: 208-230/60/1
- Low sound level
- Refrigerant: R-454B

Table RTDUC-1-A — 23 SEER2 Single Zone System Heat Pump

Indoor Model Number	M5MHWUN09	M5MHWUN12	M5MHWUN18	M5MHWUN24
Outdoor Model Number	M5THS2309	M5THS2312	M5THS2318	M5THS2324
Rated Cooling Capacity (Btu/h)	9000	12000	18000	23000
RATED Volts/PH	208 / 230 / 1	208 / 230 / 1	208 / 230 / 1	208 / 230 / 1
Indoor Sound Pressure Level dB	43	46	50	50
Indoor Unit Dimension (W/D/H) (inch)	32.28 x 12.05 x 7.68	36.22 x 12.05 x 7.68	43.31 x 13.11 x 8.74	43.31 x 13.11 x 8.74
Indoor Net Weight /Gross Weight (lbs)	20.7 / 25.1	23.1 / 30.9	30.9 / 35.3	30.9 / 35.3
Outdoor Sound Pressure Level dB (A)	50	52	53	59
MCA	10.0	11.0	12.0	17.0
MOP (Max Overcurrent Protection)	15.0	15.0	20.0	25.0
Outer Diameter Liquid Pipe (inch)	1/4	1/4	1/4	1/4
Outer Diameter Gas Pipe (inch)	3/8	3/8	1/2	1/2
Max Height Distance (ft)	33	33	49	49
Max Length Distance (ft)	50	50	65	65
Outdoor Unit Dimension (W/D/H) (inch)	28.66 x 12.01 x 21.65	28.66 x 12.01 x 21.65	33.26 x 14.96 x 27.51	35.83 x 16.54 x 31.50
Net Weight /Gross Weight (lbs)	52.7/57.1	58.4/65	86 / 91	104 / 119
Wireless Controller	CNT10078	CNT10078	CNT10078	CNT10078

RunTru™  
Ductless



# Ductless Single Zone System Heat Pump



19 SEER2 Single Zone System

- Cooling efficiency range: 19 SEER2
- Heating efficiency range: Up to 10 HSPF2
- Low ambient heating to -4° F (-20° C)
- Low ambient cooling to 5° F
- Nominal capacity range: 9–36 MBH
- Power supply: 208-230/60/1
- Low sound level
- Refrigerant: R-454B

Table RTDUC-2-A – 19 SEER2 Single Zone System Heat Pump

Indoor Model Number	M5MHWUN09	M5MHWUN12	M5MHWUN18	M5MHWUN24	M5MHW1936
Outdoor Model Number	M5THS1909	M5THS1912	M5THS1918	M5THS1924	M5THS1936
Rated Cooling Capacity (Btu/h)	9000	12000	18000	23000	36000
RATED Volts/PH	208 / 230 / 1	208 / 230 / 1	208 / 230 / 1	208 / 230 / 1	208 / 230 / 1
Indoor Sound Pressure Level dB	43	46	50	50	52
Indoor Unit Dimension (W/D/H) (inch)	32.28 x 12.05 x 7.68	36.22 x 12.05 x 7.68	43.31 x 13.11 x 8.74	43.31 x 13.11 x 8.74	46.93 x 14.17 x 10.23
Indoor Net Weight /Gross Weight (lbs)	20.7 / 25.1	23.1 / 30.9	30.9 / 35.3	30.9 / 35.3	39.7 / 48.5
Outdoor Sound Pressure Level dB (A)	50	52	53	59	63
MCA	10.0	11.0	12.0	17.0	18.0
MOP (Max Overcurrent Protection)	15.0	15.0	20.0	25.0	30.0
Outer Diameter Liquid Pipe (inch)	1/4	1/4	1/4	1/4	1/4
Outer Diameter Gas Pipe (inch)	3/8	3/8	1/2	1/2	5/8
Max Height Distance (ft)	33	33	49	49	65
Max Length Distance (ft)	50	50	65	65	98
Outdoor Unit Dimension (W/D/H) (inch)	28.66 x 12.01 x 21.65	28.66 x 12.01 x 21.65	33.26 x 14.96 x 27.51	35.83 x 16.54 x 31.50	35.83 x 16.54 x 31.50
Net Weight /Gross Weight (lbs)	52.7/57.1	58.4/65	86 / 91	104 / 119	105 / 114
Wireless Controller	CNT10078	CNT10078	CNT10078	CNT10078	CNT10078

RunTru™  
Ductless



# Ductless Single Zone System 115V Heat pump



115v Single Zone System

- Cooling efficiency range: 23 SEER2
- Heating efficiency range: 9 HSPF2
- Low ambient heating to -13°F (-25°C)
- Nominal capacity range: 9 & 12 MBH models available
- Power supply: 115/60/1
- Outdoor sound range: 50-52 dBA
- Blue Fin Coastal coating
- Handheld remote controller included
- Refrigerant: R-32

Table RTDUC-3-A — 115v Single Zone System Heat Pump

Indoor Model Number	M5MHWUN09	M5MHWUN12
Outdoor Model Number	M5THS2309	M5THS2312
Rated Cooling Capacity (Btu/h)	9000	12000
RATED Volts/PH	115 / 1	115 / 1
Indoor Sound Pressure Level dB	43	46
Indoor Unit Dimension (W/D/H) (inch)	32.28 x 12.05 x 7.68	36.22 x 12.05 x 7.68
Indoor Net Weight /Gross Weight (lbs)	20.7 / 25.1	23.1 / 30.9
Outdoor Sound Pressure Level dB (A)	50	52
MCA	10.0	11.0
MOP (Max Overcurrent Protection)	15.0	15.0
Outer Diameter Liquid Pipe (inch)	1/4	1/4
Outer Diameter Gas Pipe (inch)	3/8	3/8
Max Height Distance (ft)	33	33
Max Length Distance (ft)	50	50
Outdoor Unit Dimension (W/D/H) (inch)	28.66 x 12.01 x 21.65	28.66 x 12.01 x 21.65
Net Weight /Gross Weight (lbs)	52.7/57.1	58.4/65
Wireless Controller	CNT10078	CNT10078



## Ductless Multi Zone Outdoor Units

Table RTDUC-3-B — Multi Zone Outdoor Units

Outdoor Model Number	M5THM2318A12NA	M5THM2327A13NA	M5THM2336A14NA	M5THM2342A15NA
Rated Cooling Capacity (Btu/h)	18,000	27,000	35,500	42,000
RATED Volts/PH	208 / 230 / 1	208 / 230 / 1	208 / 230 / 1	208 / 230 / 1
Outdoor Sound PRESSURE Level dB (A)	58.0	62.0	65.0	65.0
MCA	25.0	30.0	35.0	45.0
MOP	25.0	30.0	35.0	45.0
Outer Diameter Liquid Pipe (inch)	1/4	1/4	1/4	1/4
Outer Diameter Gas Pipe (inch)	3/8	3/8	3/8	3/8
Max Height Distance (ft)	33	33	33	33
Max Length Distance (ft)	131	197	263	295
Outdoor Unit Dimension (W/D/H) (inch)	37.8 x 28.8 x 16.9	40.2 x 32.8 x 18.9	44.7 x 38.2 x 20.9	44.7 x 38.2 x 20.9
Net Weight /Gross Weight (lbs)	42	54	66	79

For complete equipment / combination selections, installation instructions and warranty information, please refer to Product Data/Ratings and/or Installers Guides and Limited Warranty Handbooks.

RTDUC-3

Effective 1/1/25  
22-8301-38

# UPGRADE YOUR WEBSITE WITH CURRENT TRANE PRODUCT INFO

## IN NO TIME.

Take advantage of our fully embeddable, customizable Trane Online Product Guide.



### How Do I Get Started?

- STEP 1** Go to [TraneProducts.com/db](https://TraneProducts.com/db) and register for **FREE**
- STEP 2** Follow the simple on-screen instructions
- STEP 3** Copy your unique **IFRAME** code to your website

### What Happens Next?

Instantly, the full line of Trane Products will be displayed on your website and will be updated whenever there are changes!

- ✓ One-time set up (Automatically Updates)
- ✓ Can be full-frame or within a division tag
- ✓ Fully responsive for mobile applications
- ✓ Select which products will appear on your website



## 2026 PRODUCT HANDBOOK

# RESIDENTIAL & LIGHT COMMERCIAL



*It's Hard To Stop A Trane.®*



WE ARE COMMITTED TO USING ENVIRONMENTALLY FRIENDLY PRINTING PRACTICES.

*All trademarks referenced are the trademarks of their respective owners.*

*About Trane*

*Trane – by Trane Technologies (NYSE: TT), a global climate innovator – creates comfortable, energy efficient indoor environments for commercial and residential applications. For more information, visit [Trane.com](https://Trane.com) or [TraneTechnologies.com](https://TraneTechnologies.com)*

TRANE  
TECHNOLOGIES

22-8301-39

©2026 TRANE. ALL RIGHTS RESERVED.