



Product Data

WeatherMaker® Single Package Heat Pump Rooftop

3 to 6 Nominal Tons

ecoblue™  technology



50FCQ*04, 05, 06, 07
Single-Packaged Heat Pump with Optional Electric Heat
and Puron® Refrigerant (R-410A)

The New Carrier WeatherMaker® packaged heat pump rooftop units (RTU) with EcoBlue™ Technology were designed by customers for customers and integrate new technology to provide value added benefits never seen in this type of equipment before.

New major design features include:

- Patented, industry’s first efficient indoor fan system using Vane Axial fan with electronically commutated variable speed motor
- Reliable fixed speed scroll compressor on 3-5 ton sizes and 2 stage scroll technology on 6 ton sizes
- Upgraded unit control board with intuitive indoor fan adjustment
- Reliable copper tube/aluminum fin condenser coil with 5/16 in. tubing to help reduce refrigerant charge versus prior designs
- New outdoor fan system with rugged — lightweight high impact composite fan blade

50FCQ WeatherMaker® units up to 6 tons are specifically designed to fit on Carrier roof curbs that were installed back to 1989, which makes replacement easy and eliminates the need for curb adapters or changing utility connections.

Single-stage units deliver efficiencies of up to 14.3 SEER and 8.2 HSPF on 3-phase products and 13.4 SEER2 and 7.0 HSPF2 on single-phase products. Two-stage units deliver up to 15.0 IEER. All models are capable of either vertical or horizontal airflow.

The Carrier rooftop unit (RTU) was designed by customers for customers. With “no-strip” screw collars, handled access panels, and more, the unit is easy to install, easy to maintain, and easy to use. Precisely sized Suction Line Accumulator to help insure reliable operation at unit operation conditions.

Value-added features include:

- Puron® refrigerant (R-410A)
- Single point electrical connections
- Optional fully integrated SystemVu™ controls
- RTU Open controller for BACnet™1, LonWorks®1, Modbus®1 and Johnson Controls N2

- 3 to 5 ton models use fixed refrigerant metering devices and 6 ton models use a TXV
- Scroll compressors with internal line-break overload protection
- Easy access tool-less filter door. Filter track tilts out for filter removal and replacement. All filters are the same size in each unit.

Installation ease

All WeatherMaker units are field-convertible to horizontal airflow, which makes it easy to adjust to unexpected jobsite complications. Lighter units make for easy replace. Simple, fast plug-in connections to the standard integrated unit control board (UCB). Clearly labeled connections points to reduce installation time. Also, a large control box provides room to work and room to mount Carrier accessory controls.

Easy to maintain

With the new EcoBlue Vane Axial fan system and direct drive ECM motor, there is no longer a need to adjust belts or pulleys as in past designs. This frees up maintenance and installation time.

Easy access handles by Carrier provide quick and easy access to all normally serviced components. Our “no-strip” screw system has superior holding power and guides screws into position while preventing the screw from stripping the unit’s metal.

Sloped, corrosion resistant composite drain pan sheds water; and won’t rust.

Easy to use

The newly re-designed Unit Control Board by Carrier puts all connections and troubleshooting points in one convenient place. Most low voltage connections are made to the same board and make it easy to access it. Setting up the fan is simple by an intuitive switch and rotary dial arrangement. Carrier rooftops have high and low pressure switches, a filter drier, and 2-in. filters standard.

1. Third-party trademarks and logos are property of their respective owners.

Table of contents

	Page
Features/Benefits	2
Model Number Nomenclature	4
Capacity Ratings	5
Physical Data	8
Options and Accessories	10
Base Unit Dimensions	14
Accessory Dimensions	17
Performance Data	18
Fan Data	30
Electrical Data	59
Typical Wiring Diagrams	79
Sequence of Operation	93
Application Data	95
Guide Specifications	96

EcoBlue™ Technology

Direct drive EcoBlue Technology indoor fan system uses Vane Axial fan design and direct drive electronically commutated motors.

This new Vane Axial design over past belt drive systems has 75% fewer moving parts, uses up to 40% less energy and has no fan belts, blower bearings and shaft.

Streamlined control and integration

Carrier controllers make connecting WeatherMaker® rooftops into existing building automation systems easy. The units are compatible with conventional thermostat controls, SystemVu™ controls and Carrier RTU Open multi-protocol controller.

Operating efficiency and flexibility

The 50FCQ rooftops meet ASHRAE (American Society of Heating, Refrigerating, and Air-Conditioning Engineers) 90.1-2016, IECC®1-2018 (International Energy Conservation Code) minimum efficiency requirements.

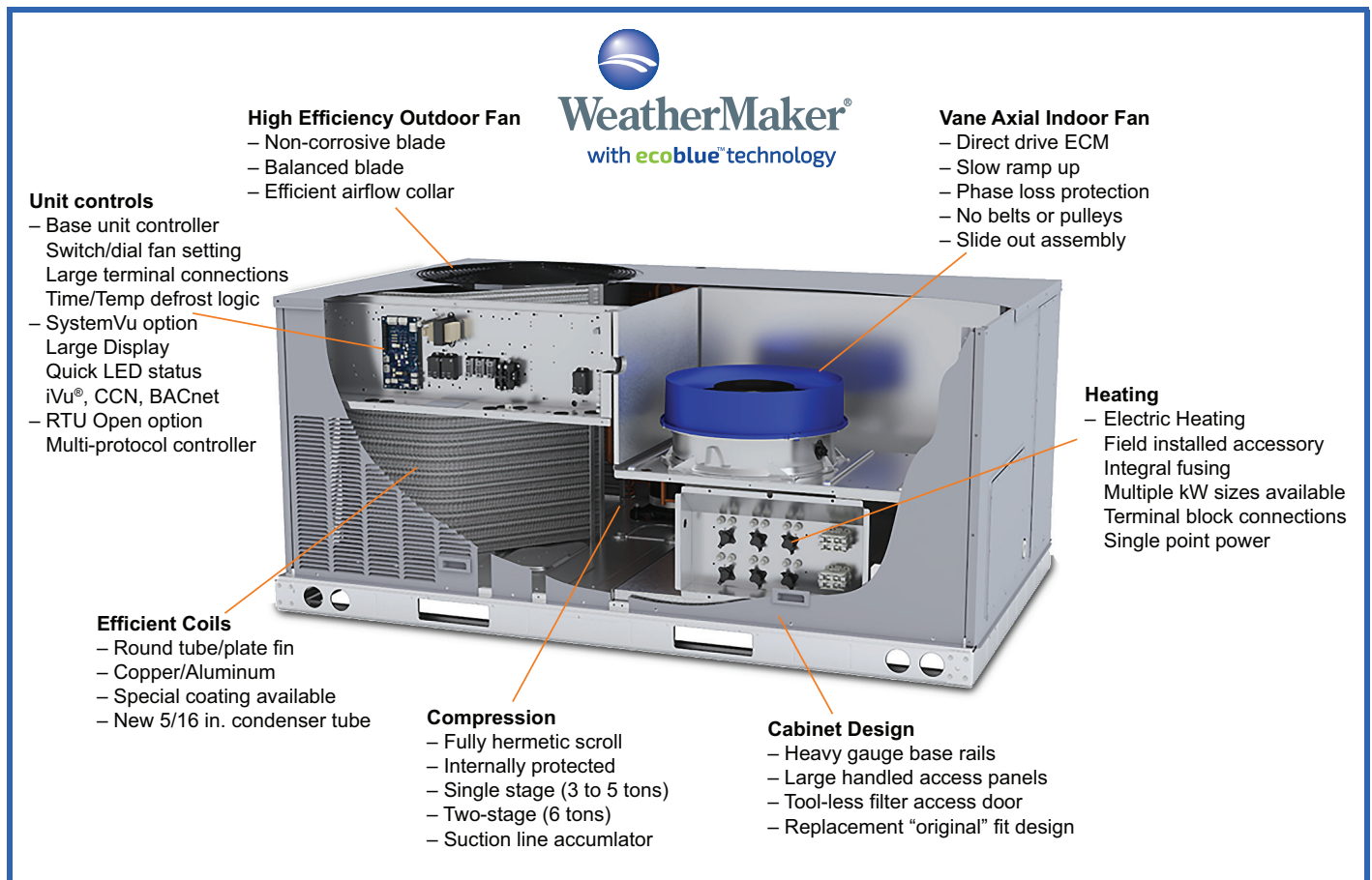
Field convertible airflow

All WeatherMaker 3 to 6 ton units are field-convertible to horizontal airflow, which makes it easy to adjust to unexpected jobsite complications.

Comfort control

Carrier's Round Tube Plate Fin coil design helps maximize heat transfer and reliable operation.

1. Third-party trademarks and logos are property of their respective owners.



50FCQ Model Number Nomenclature

Position:	1	2	3	4	5	6	7	8	9	10	11	12	13	14	15	16	17	18
Example:	5	0	F	C	Q	A	0	4	A	2	A	5	-	0	A	0	A	0

Unit/Series/Model

50FCQ – Packaged Rooftop Heat Pump
 14.3 SEER Standard Efficiency, sizes 04-06
 13.4 SEER2 Standard Efficiency, sizes 04-06
 15.0 IEER Standard Efficiency, size 07

Refrig. Systems Options

A = Standard One Stage Cooling Models^{1,2}
 C = Standard One Stage Cooling Models, 1-phase voltage (size 05 only)³
 M = Single Circuit, Two Stage Cooling Models⁴

Cooling Tons

04 = 3 tons
 05 = 4 tons
 06 = 5 tons
 07 = 6 tons

Sensor Options

A = None
 B = Return Air (RA) Smoke Detector
 C = Supply Air (SA) Smoke Detector
 D = RA + SA Smoke Detector
 E = CO₂ Sensor
 F = RA Smoke Detector and CO₂ Sensor
 G = SA Smoke Detector and CO₂ Sensor
 H = RA + SA Smoke Detector and CO₂ Sensor
 J = Condensate Overflow Switch (Electromechanical controls only)
 K = Condensate Overflow Switch and RA Smoke Detector
 L = Condensate Overflow Switch and RA and SA Smoke Detectors
 M = Condensate Overflow Switch and SA Smoke Detector

Indoor Fan Options

1 = Direct Drive – EcoBlue – Standard Static
 2 = Direct Drive – EcoBlue – Medium Static
 3 = Direct Drive – EcoBlue – High Static

Coil Options – (Outdoor - Indoor — Hail Guard)

A = Al/Cu - Al/Cu
 B = Precoat Al/Cu - Al/Cu
 C = E-coat Al/Cu - Al/Cu
 D = E-coat Al/Cu - E-coat Al/Cu
 E = Cu/Cu - Al/Cu
 F = Cu/Cu - Cu/Cu
 M = Al/Cu - Al/Cu — Louvered Hail Guard
 N = Precoat Al/Cu - Al/Cu — Louvered Hail Guard
 P = E-coat Al/Cu - Al/Cu — Louvered Hail Guard
 Q = E-coat Al/Cu - E-coat Al/Cu — Louvered Hail Guard
 R = Cu/Cu - Al/Cu — Louvered Hail Guard
 S = Cu/Cu - Cu/Cu — Louvered Hail Guard

Voltage

1 = 575-3-60
 3 = 208/230-1-60^{1,5}
 5 = 208/230-3-60
 6 = 460-3-60

Packaging & Seismic Compliance

0 = Standard
 1 = LTL

Electrical Options

A = None
 C = Non-Fused Disconnect (NFD)
 D = Thru-The-Base Connections (TTB)
 F = Non-Fused Disconnect and TTB Connections
 N = Phase Monitor Protection
 Q = Phase Monitor Protection and NFD
 R = Phase Monitor Protection and TTB Conn.
 T = Phase Monitor Protection, NFD, and TTB Connections

Service Options

0 = None
 1 = Unpowered Convenience Outlet (CO)
 2 = Powered Convenience Outlet
 3 = Hinged Access Panels
 4 = Hinged Access Panels and Unpowered CO
 5 = Hinged Access Panels and Powered CO
 6 = MERV-8 High Efficiency (HE) Filters
 7 = Unpowered CO and MERV-8 HE Filters
 8 = Powered CO and MERV-8 HE Filters
 9 = Hinged Access Panels and MERV-8 HE Filters
 A = Hinged Access Panels, Unpowered CO, and MERV-8 HE Filters
 B = Hinged Access Panels, Powered CO, and MERV-8 HE Filters

Intake / Exhaust Options

A = None
 B = Temperature Economizer w/ Barometric Relief
 F = Enthalpy Economizer w/ Barometric Relief
 K = Two-Position Damper
 U = Temperature Ultra Low Leak Economizer with Barometric Relief
 W = Enthalpy Ultra Low Leak Economizer with Barometric Relief

Base Unit Controls

0 = Electromechanical Controls – can be used with field-installed W7212 EconoMiSer® IV (Non-Fault Detection and Diagnostic)¹
 2 = RTU Open Multi-Protocol Controller
 3 = SystemVu™ Controls
 6 = Electromechanical Controls – can be used with W7220 EconoMiSer X (with Fault Detection and Diagnostic)

Design Revision

- = Factory Design Revision

¹ Size 04/05/06 models only.

² Size 04 and 06 single-phase voltage units meet Department of Energy SEER2 requirements.

³ Units meet Department of Energy 2023 SEER2 requirements; available on size 05 single-phase voltage models only.

⁴ Size 07 units only.

⁵ The following are not available as a factory-installed options for models with this voltage code: Coated Coils or Cu Fin Coils, Louvered Hail Guards, Economizer or Two-Position Damper, Powered 115 Volt Convenience Outlet.

50FCQA/C 1-Phase AHRI Ratings — Cooling Mode^{a,b,c,d}

UNIT	VOLTAGE	COOLING STAGES	NOMINAL CAPACITY (tons)	NET COOLING CAPACITY 2 (MBtuh)	TOTAL POWER 2 (kW)	SEER2	EER2
50FCQA04	3	1	3	35.0	3.0	13.4	11.5
50FCQC05	3	1	4	47.0	4.2	13.4	11.2
50FCQA06	3	1	5	59.5	5.3	13.4	11.2

NOTE(S):

- Rated in accordance with AHRI Standards 210/240 (04-06 size).
- Rating are based on:
Cooling Standard: 80°F (27°C) db, 67°F (19°C) wb indoor air temperature and 95°F (35°C) db outdoor air temperature.
- Units comply with ASHRAE 90.1-2016 (American Society of Heating, Refrigerating, and Air-Conditioning Engineers) and DOE-2023 (Department of Energy) Energy Standard for minimum SEER2 and EER2 requirements.
- 50FCQ units comply with US Energy Policy Act (2005). To evaluate code compliance requirements, refer to state and local codes.

50FCQA/M 3-Phase AHRI Ratings — Cooling Mode^{a,b,c,d}

UNIT	VOLTAGE	COOLING STAGES	NOM. CAPACITY (tons)	NET COOLING CAPACITY (MBtuh)	TOTAL POWER (kW)	SEER	EER	IEER WITH 2-SPEED
50FCQA04	1, 5, 6	1	3	36.2	3.1	14.3	11.8	—
50FCQA05	1, 5, 6	1	4	49.5	4.2	14.3	11.8	—
50FCQA06	1, 5, 6	1	5	60.5	5.1	14.3	11.8	—
50FCQM07	1, 5, 6	2	6	70.0	6.3	—	11.0	15.0

NOTE(S):

- Rated in accordance with AHRI Standards 210/240 (04-06 size) and 340/360 (07 size).
- Rating are based on:
Cooling Standard: 80°F (27°C) db, 67°F (19°C) wb indoor air temperature and 95°F (35°C) db outdoor air temperature.
- Units comply with ASHRAE 90.1-2016 (American Society of Heating, Refrigerating, and Air-Conditioning Engineers) requirements, as well as DOE-2018 (Department of Energy) Energy Standard for minimum SEER and EER and DOE-2023 Energy Standards for minimum SEER2 and EER2 requirements. ASHRAE 90.1 requires M1 ratings on 3-phase models.
- 50FCQ units comply with US Energy Policy Act (2005). To evaluate code compliance requirements, refer to state and local codes.

LEGEND

- AHRI** — Air Conditioning, Heating and Refrigeration Institute
EER — Energy Efficiency Ratio
IEER — Integrated Energy Efficiency Ratio
MBtuh — Btuh in Thousands
SEER — Seasonal Energy Efficiency Ratio



50FCQA/C 1-Phase AHRI Ratings — Heating Mode^{a,b,c,d}

UNIT	VOLTAGE	HSPF2	HIGH HEATING CAPACITY 2 (MBtuh)	HIGH HEAT COP 2	LOW HEATING CAPACITY 2 (MBtuh)	LOW HEAT COP 2
50FCQA04	3	6.7	34.0	3.6	17.0	2.10
50FCQC05	3	7.0	46.0	3.6	24.0	2.28
50FCQA06	3	7.0	56.5	3.7	30.0	2.30

NOTE(S):

- Rated in accordance with AHRI Standards 210/240 (04-06 size).
- Rating are based on:
Cooling Standard: 80°F (27°C) db, 67°F (19°C) wb indoor air temperature and 95°F (35°C) db outdoor air temperature.
 High Temperature Heating Ratings: 47°F (8°C) db, 43°F (6°C) wb outdoor air temperature and 70°F (21°C) entering indoor coil air.
 Low Temperature Heating Ratings: 17°F (-8°C) db, 15°F (-9°C) wb outdoor air temperature and 70°F (21°C) entering indoor coil air.
- Units comply with ASHRAE 90.1-2016 (American Society of Heating, Refrigerating, and Air-Conditioning Engineers) and DOE-2023 (Department of Energy) Energy Standard for minimum SEER2 and EER2 requirements.
- 50FCQ units comply with US Energy Policy Act (2005). To evaluate code compliance requirements, refer to state and local codes.

50FCQA/M 3-Phase AHRI Ratings — Heating Mode^{a,b,c,d}

UNIT	VOLTAGE	HSPF	HIGH HEATING CAPACITY (MBtuh)	HIGH HEAT COP	LOW HEATING CAPACITY (MBtuh)	LOW HEAT COP
50FCQA04	1, 5, 6	8.2	34.0	3.7	17.0	2.25
50FCQA05	1, 5, 6	8.2	46.0	3.7	23.6	2.28
50FCQA06	1, 5, 6	8.2	56.5	3.8	30.0	2.30
50FCQM07	1, 5, 6	—	64.5	3.6	35.0	2.40

NOTE(S):

- Rated in accordance with AHRI Standards 210/240 (04-06 size) and 340/360 (07 size).
- Rating are based on:
Cooling Standard: 80°F (27°C) db, 67°F (19°C) wb indoor air temperature and 95°F (35°C) db outdoor air temperature.
 High Temperature Heating Ratings: 47°F (8°C) db, 43°F (6°C) wb outdoor air temperature and 70°F (21°C) entering indoor coil air.
 Low Temperature Heating Ratings: 17°F (-8°C) db, 15°F (-9°C) wb outdoor air temperature and 70°F (21°C) entering indoor coil air.
- Units comply with ASHRAE 90.1-2016 (American Society of Heating, Refrigerating, and Air-Conditioning Engineers) requirements, as well as DOE-2018 (Department of Energy) Energy Standard for minimum SEER and EER and DOE-2023 Energy Standards for minimum SEER2 and EER2 requirements. ASHRAE 90.1 requires M1 ratings on 3-phase models.
- 50FCQ units comply with US Energy Policy Act (2005). To evaluate code compliance requirements, refer to state and local codes.

LEGEND

- AHRI — Air Conditioning, Heating and Refrigeration Institute
- COP — Coefficient of Performance
- EER — Energy Efficiency Ratio
- HSPF — Heating Seasonal Performance Factor
- MBtuh — Btuh in Thousands
- SEER — Seasonal Energy Efficiency Ratio



Sound Ratings Table^{a,b,c}

UNIT	COOLING STAGES	OUTDOOR SOUND (dB) AT 60 Hz								
		A-WEIGHTED	63	125	250	500	1000	2000	4000	8000
50FCQ*04	1	75.4	81.8	81.8	77.0	72.6	69.9	64.6	59.3	55.6
50FCQ*05	1	79.0	85.6	84.7	80.5	76.0	72.4	68.0	62.8	59.3
50FCQ*06	1	79.0	85.6	84.7	80.5	76.0	72.4	68.0	62.8	59.3
50FCQ*07	2	79.0	85.6	84.7	80.5	76.0	72.4	68.0	62.8	59.3

NOTE(S):

- Outdoor sound data is measured in accordance with AHRI.
- Measurements are expressed in terms of sound power. Do not compare these values to sound pressure values because sound pressure depends on specific environmental factors which normally do not match individual applications. Sound power values are independent of the environment and therefore more accurate.
- A-weighted sound ratings filter out very high and very low frequencies, to better approximate the response of "average" human ear. A-weighted measurements for Carrier units are taken in accordance with AHRI.

LEGEND

dB — Decibel

Minimum - Maximum Airflow Ratings (cfm) — Cooling Units and Accessory Electric Heat

UNIT	COOLING				ELECTRIC HEAT ^a	
	Minimum Airflow (cfm)	Minimum 2-Speed Airflow (low speed)	Minimum 2-Speed Airflow (high speed)	Maximum Airflow (cfm)	Minimum Airflow (cfm)	Maximum Airflow (cfm)
50FCQ*04	900	—	—	1500	900	1500
50FCQ*05	1200	—	—	2000	1200	2000
50FCQ*06	1500	—	—	2500	1500	2500
50FCQ*07	1800	1200	1800	3000	1800	3000

NOTE(S):

- Electric heat modules are available as field-installed accessories for 50FCQ units.

50FCQ Physical Data

50FCQ UNIT	50FCQA04	50FCQA05	50FCQC05	50FCQA06	50FCQM07
NOMINAL TONS	3	4	4	5	6
BASE UNIT OPERATING WT (lb)^a	467	473	473	584	589
REFRIGERATION SYSTEM					
No. Circuits/No. Compressors/Type	1 / 1/ Scroll	1 / 1/ Scroll	1 / 1 / Scroll	1 / 1 / Scroll	1 / 1 / 2-Stage Scroll
Puron® (R-410A) Charge (lb-oz)	8-0	11-13	11-12.8	14-13	16-0
Metering Device	Acutrol	Acutrol	Acutrol	Acutrol	TXV
High-Pressure Trip/Reset (psig)	630/505	630/505	630/505	630/505	630/505
Low-Pressure Trip/Reset (psig)	54/117	54/117	54/117	54/117	54/117
EVAPORATOR COIL (Indoor)					
Material (Tube/Fin)	Cu/Al	Cu/Al	Cu/Al	Cu/Al	Cu/Al
Coil Type	3/8 in. RTPF	3/8 in. RTPF	3/8 in. RTPF	3/8 in. RTPF	3/8 in. RTPF
Rows/FPI	3/15	3/15	3/15	4/15	4/15
Total Face Area (ft ²)	5.5	5.5	5.5	7.3	7.3
Condensate Drain Connection Size	3/4 in.	3/4 in.	3/4 in.	3/4 in.	3/4 in.
CONDENSER COIL (Outdoor)					
Material	Cu/Al	Cu/Al	Cu/Al	Cu/Al	Cu/Al
Coil Type	5/16 in. RTPF	5/16 in. RTPF	5/16 in. RTPF	5/16 in. RTPF	5/16 in. RTPF
Rows/FPI	2/18	2/18	2/18	2/18	2/18
Total Face Area (ft ²)	10.7	15.9	15.9	18.8	20.5
EVAPORATOR FAN AND MOTOR (Indoor)					
Standard Static 1 Phase					
Motor Qty/Drive Type	1/Direct	—	1/Direct	1/Direct	—
Max Cont Bhp	0.44	—	0.72	1.06	—
Rpm Range	189-1890	—	190-1900	215-2150	—
Fan Qty/Type	1/Vane Axial	—	1/Vane Axial	1/Vane Axial	—
Fan Diameter (in.)	16.6	—	16.6	16.6	—
Medium Static 1 Phase					
Motor Qty/Drive Type	1/Direct	—	1/Direct	1/Direct	—
Max Cont Bhp	0.71	—	1.06	1.44	—
Rpm Range	219-2190	—	217 - 2170	239-2390	—
Fan Qty/Type	1/Vane Axial	—	1/Vane Axial	1/Vane Axial	—
Fan Diameter (in.)	16.6	—	16.6	16.6	—
High Static 1 Phase					
Motor Qty/Drive Type	1/Direct	—	1/Direct	—	—
Max Cont Bhp	1.07	—	1.53	—	—
Rpm Range	249-2490	—	246-2460	—	—
Fan Qty/Type	1/Vane Axial	—	1/Vane Axial	—	—
Fan Diameter (in.)	16.6	—	16.6	—	—
Standard Static 3 Phase					
Motor Qty/Drive Type	1/Direct	1/Direct	—	1/Direct	1/Direct
Max Cont Bhp	0.44	0.72	—	1.06	1.31
Rpm Range	189-1890	190-1900	—	215-2150	230-2300
Fan Qty/Type	1/Vane Axial	1/Vane Axial	—	1/Vane Axial	1/Vane Axial
Fan Diameter (in.)	16.6	16.6	—	16.6	16.6
Medium Static 3 Phase					
Motor Qty/Drive Type	1/Direct	1/Direct	—	1/Direct	1/Direct
Max Cont Bhp	0.71	1.06	—	1.44	1.76
Rpm Range	219-2190	217-2170	—	239-2390	253-2530
Fan Qty/Type	1/Vane Axial	1/Vane Axial	—	1/Vane Axial	1/Vane Axial
Fan Diameter (in.)	16.6	16.6	—	16.6	16.6
High Static 3 Phase					
Motor Qty/Drive Type	1/Direct	1/Direct	—	1/Direct	1/Direct
Max Cont Bhp	1.07	1.96	—	2.43	2.43
Rpm Range	249-2490	266-2660	—	284-2836	284-2836
Fan Qty/Type	1/Vane Axial	1/Vane Axial	—	1/Vane Axial	1/Vane Axial
Fan Diameter (in.)	16.6	16.6	—	16.6	16.6

Physical data (cont)



50FCQ Physical Data (cont)

50FCQ UNIT	50FCQA04	50FCQA05	50FCQC05	50FCQA06	50FCQM07
CONDENSER FAN AND MOTOR (Outdoor)					
Qty / Motor Drive Type	1 / Direct	1 / Direct	1 / Direct	1 / Direct	1 / Direct
Motor Hp/Rpm	1/4 / 1100	1/4 / 1100	1/4 / 1100	1/4 / 1100	1/4 / 1100
Fan Diameter (in.)	23	23	23	23	23
FILTERS					
RA Filter Qty / Size (in.)	2 / 16x25x2	2 / 16x25x2	2 / 16x25x2	4 / 16x16x2	4 / 16x16x2
OA Inlet Screen Qty / Size (in.)	1 / 20x24x1	1 / 20x24x1	1 / 20x24x1	1 / 20x24x1	1 / 20x24x1

NOTE(S):

- a. Base unit operating weight does not include weight of options.

Options and accessories



ITEM	FACTORY-INSTALLED OPTION	FIELD-INSTALLED ACCESSORY
ELECTRIC HEAT		
Electric Resistance Heaters		X
Single Point Kits		X
CABINET		
Thru-the-Base Electrical Connections	X	X
Hinged Access Panels	X	
MERV-8 Filters	X	
COIL OPTIONS		
Cu/Cu Indoor and/or Outdoor Coils ^a	X	
Pre-Coated Outdoor Coils ^a	X	
Premium, E-Coated Outdoor Coils ^a	X	
CONDENSER PROTECTION		
Condenser Coil Hail Guard (louvered design) ^a	X	X
CONTROLS		
Thermostats, Temperature Sensors, and Subbases		X
SystemVu™ DDC Communicating Controller	X	
RTU Open Multi-Protocol Controller	X	
Smoke Detector (supply and/or return air)	X	X
Horn Strobe Annunciator ^b		X
Time Guard II Compressor Delay Control Circuit		X
Phase Monitor ^a	X	X
Condensate Overflow Switch	X	X
Fan/Filter Status Switch		X
ECONOMIZERS AND OUTDOOR AIR DAMPERS		
EconoMiSer® IV for Electromechanical Controls - Non FDD (Standard air leak damper models) ^{a, c, d}	X	X
EconoMiSer2 for DDC Controls (Standard and Ultra Low Leak air damper models) ^{a, e}	X	X
EconoMiSer X for Electromechanical Controls, complies with FDD (Standard and Ultra Low Leak damper models) ^{a, c, d}	X	X
Motorized Two-Position Outdoor-Air Damper ^a	X	X
Manual Outdoor-Air Damper (25% and 50%)		X
Barometric Relief ^f	X	X
Power Exhaust - prop design		X

ITEM	FACTORY-INSTALLED OPTION	FIELD-INSTALLED ACCESSORY
ECONOMIZER SENSORS AND IAQ DEVICES		
Single Dry Bulb Temperature Sensors ^g	X	X
Differential Dry Bulb Temperature Sensors ^g		X
Single Enthalpy Sensors ^g	X	X
Differential Enthalpy Sensors ^g		X
CO ₂ Sensor (wall, duct, or unit mounted) ^g	X	X
INDOOR MOTOR AND DRIVE		
Multiple Motor and Drive Packages	X	
LOW AMBIENT CONTROL		
Winter Start Kit ^h		X
Low Ambient Controller to -20°F (-29°C) ^h		X
POWER OPTIONS		
Convenience Outlet (powered) ^a	X	
Convenience Outlet (unpowered)	X	X
Non-Fused Disconnect ⁱ	X	
ROOF CURBS		
Roof Curb 14 in. (356 mm)		X
Roof Curb 24 in. (610 mm)		X

NOTE(S):

- a. Not available on single phase (-3 voltage code) models. Use field-installed accessory where available.
- b. Requires a field-supplied 24V transformer for each application. See price pages for details.
- c. FDD (Fault Detection and Diagnostic) capability per California Title 24 section 120.2.
- d. Available as a factory-installed option for 04-06 models only.
- e. Models with SystemVu and RTU Open DDC controls comply with California Title 24 Fault Detection and Diagnostic (FDD).
- f. Included with economizer.
- g. Sensors used to optimize economizer performance.
- h. See application data for assistance.
- i. Non-fused disconnect switch cannot be used when unit electrical rating exceeds:
 - 208-230/1/60 and 208-230/3/60 = 80 amps (FLA).
 - 480/3/60 and 575/3/60 = 80 amps (FLA).
 Carrier RTUBuilder automatically selects the amp limitations.

Factory-installed options

Economizer (dry-bulb or enthalpy)

Economizers save money. They bring in fresh, outside air for ventilation; and provide cool outside air to cool your building. This is the preferred method of low-ambient cooling. When coupled to CO₂ sensors, economizers can provide even more savings by coupling the ventilation air to only that amount required.

Economizers are available, installed and tested by the factory, with either enthalpy or dry-bulb temperature inputs. Additional sensors are available as accessories to optimize the economizers. Economizers include a powered exhaust system to help equalize building pressures.

Economizers include gravity controlled barometric relief that helps equalize building pressure and ambient air pressures. This can be a cost effective solution to prevent building pressurization. Economizers are available in Ultra Low Leak and standard low leak versions. Economizers can be factory-installed or easily field-installed.

Unit mounted CO₂ sensor

The CO₂ sensor works with the economizer to intake only the correct amount of outside air for ventilation. As occupants fill your building, the CO₂ sensor detects their presence through increasing CO₂ levels, and opens the economizer appropriately. When the occupants leave, the CO₂ levels decrease, and the sensor appropriately closes the economizer. This intelligent control of the ventilation air, called demand controlled ventilation (DCV), reduces the overall load on the rooftop, saving money. It is also available as a field-installed accessory.

Smoke detector (supply and/or return air)

Trust the experts. Smoke detectors make your application safer and your job easier. Carrier smoke detectors immediately shut down the rooftop unit when smoke is detected. They are available, installed by the factory, for supply air, return air, or both.

Thru-the-base connections

Thru-the-base connections, available as a factory option, are necessary to ensure proper connection and seal when routing wire and piping through the rooftop's basepan and curb. These couplings eliminate roof penetration and should be considered for main power lines, as well as control power.

Hinged access panels

Allows access to unit's major components with specifically designed hinged access panels. Panels are filter, control box access indoor fan motor access.

Cu/Cu (indoor) coils

Copper fins and copper tubes are mechanically bonded to copper tubes and copper tube sheets. A polymer strip prevents coil assembly from contacting the sheet metal coil pan to minimize potential for galvanic corrosion between coil and pan.

E-coated (outdoor and indoor) coils

A flexible epoxy polymer coating uniformly applied to all coil surface areas without material bridging between fins.

Coating process shall ensure complete coil encapsulation of tubes, fins and headers.

Pre-coated outdoor coils

A durable epoxy-phenolic coating to provide protection in mildly corrosive coastal environments. The coating minimizes galvanic action between dissimilar metals. Coating is applied to the aluminum fin stock prior to the fin stamping process to create an inert barrier between the aluminum fin and copper tube.

Condenser coil hail guard

Sleek, louvered panels protect the condenser coil from hail damage, foreign objects, and incidental contact.

Single enthalpy sensor

Prevents the wheel from rotating if the outside air conditions are acceptable for free cooling. Both exhaust and supply blowers will remain on.

Convenience outlet (powered or un-powered)

Reduce service and/or installation costs by including a convenience outlet in your specification. Carrier will install this service feature at our factory. Provides a convenient, 15 amp, 115v GFCI receptacle with "Wet in Use" cover. The "powered" option allows the installer to power the outlet from the line side of the disconnect or load side as required by code. The "unpowered" option is to be powered from a separate 115/120v power source.

The unpowered convenience outlet is available as a 15 amp factory-installed option or a 20 amp field-installed accessory.

Non-fused disconnect

This OSHA-compliant, factory-installed, safety switch allows a service technician to locally secure power to the rooftop. When selecting a factory-installed non-fused disconnect, note they are sized for the unit as ordered from the factory. The sizing of these do not accommodate field-installed items such as power exhaust devices, etc. If field installing electric heat with factory-installed non-fused disconnect switch, a single point kit may or may not be required.

SystemVu™ controller

Carrier's SystemVu controller is an optional factory-installed and tested controller.

This controller takes on a whole new approach to provide an intuitive, intelligent controller that not only monitors and controls the unit, but also provides linkage to multiple building automation systems.

Each SystemVu controller makes it easy to set up, service, troubleshoot, gain historical data, generate reports and provide comfort only Carrier is noted for.

Key features include:

- Easy to read back lit four line text screen for superior visibility.
- Quick operational condition LEDs of: Run, Alert, and Fault.
- Simple navigation with large keypad buttons of: Navigation arrows, Test, Back, Enter and Menu.
- Capable of being controlled with a conventional thermostat, space sensor or build automation system.

- Service capabilities include:
 - Auto run test
 - Manual run test
 - Component run hours and starts
 - Commissioning reports
 - Data logging
- Full range of diagnosis:
 - Read refrigerant pressures without the need of gauges
 - Sensor faults
 - Compressor reverse rotation
 - Economizer diagnostics that meet California Title 24 requirements
- Quick data transfer via USB port:
 - Unit configuration uploading/downloading
 - Data logging
 - Software upgrades
- Built in capacity for:
 - i-Vu® open systems
 - BACnet systems
 - CCN systems
- Configuration and alarm point capability:
 - Contain over 100 alarm codes
 - Contain over 260 status, troubleshooting, diagnostic and maintenance points
 - Contain over 270 control configuration setpoints

RTU Open, multi-protocol controller

Connect the rooftop to an existing BAS (building automation system) without needing complicated translators or adapter modules using the RTU Open controller. The RTU Open controller speaks the 4 most common building automation system languages (BACnet, Modbus, Johnson Controls N2, and LonWorks). Use this controller when you have an existing BAS. Besides the 4 protocols, it also communicates with a Carrier Open system (i-Vu and VVT®).

Condensate overflow switch

This sensor and related controller monitors the condensate level in the drain pan and shuts down compression operation when overflow conditions occur. It includes:

- Indicator light — solid red (more than 10 seconds on water contact — compressors disabled), blinking red (sensor disconnected)
- 10-second delay to break — eliminates nuisance trips from splashing or waves in pan (sensor needs 10 seconds of constant water contact before tripping)
- Disables the compressor(s) operation when condensate plug is detected, but still allows fans to run for economizer.

Power exhaust with barometric relief

Superior internal building pressure control. This field-installed accessory may eliminate the need for costly, external pressure control fans.

MERV-8 return air filters

This factory option upgrades the return air filters from standard unit filters to high efficiency MERV-8 filters. Non-woven MERV-8 filter media with high strength, moisture-resistant frame. Filter media is securely fastened inside the filter frame on all four sides.

Field-installed accessories

Condenser coil hail guard

Sleek, louvered panels protect the condenser coil from hail damage, foreign objects, and incidental contact. This can be purchased as a factory-installed option or as a field-installed accessory.

Differential enthalpy sensor

The differential enthalpy sensor is comprised of an outdoor and return air enthalpy sensors to provide differential enthalpy control. The sensor allows the unit to determine if outside air is suitable for free cooling.

Wall or duct mounted CO₂ sensor

The IAQ sensor shall be available in duct or wall mount. The sensor provides demand ventilation indoor air quality (IAQ) control.

Phase monitor protection

The Phase Monitor Control will monitor the sequence of three phase electrical system to provide a phase reversal protection; and monitor the three phase voltage inputs to provide a phase loss protection for the three phase device. It will work on either a Delta or Wye power connection.

Winter start kit

The winter start kit by Carrier extends the low ambient limit of your rooftop to 25°F (-4°C). The kit bypasses the low pressure switch, preventing nuisance tripping of the low pressure switch. Other low ambient precautions may still be prudent.

Low ambient controller

The low ambient controller is a head pressure controller kit that is designed to maintain the unit's condenser head pressure during periods of low ambient cooling operation. This device should be used as an alternative to economizer free cooling when economizer usage is either not appropriate or desired. The low ambient controller will either cycle the outdoor fan motors or operate them at reduced speed to maintain the unit operation, depending on the model. This controller allows cooling operation down to -20°F (-29°C) ambient conditions.

Roof curb (14 in./356 mm or 24 in./610 mm)

Full perimeter roof curb with exhaust capability provides separate air streams for energy recovery from the exhaust air without supply air contamination.

Fan/filter status switch

Monitors static pressure across supply and exhaust filters and provides indication when filters become clogged.

Power exhaust

Superior internal building pressure control. This field-installed accessory may eliminate the need for costly, external pressure control fans.

Manual OA damper

Manual outdoor air dampers are an economical way to bring in ventilation air. The dampers are available in 25% and 50% versions.

NOTE: See application tip "ROOFTOP-18-01" prior to use of this damper on 07 size models.

Options and accessories (cont)



Motorized two-position damper

The Carrier two-position, motorized outdoor air damper admits up to 100% outside air. Using reliable, gear-driven technology, the two-position damper opens to allow ventilation air and closes when the rooftop stops, stopping unwanted infiltration.

NOTE: See application tip “ROOFTOP-18-01” prior to use of this damper on 07 size models.

Electric heaters and single point kits

Carrier offers a full-line of field-installed accessory heaters. The heaters are very easy to use, install and are all pre-engineered and certified.

Time Guard II control circuit

This accessory protects your compressor by preventing short-cycling in the event of some other failure, prevents the compressor from restarting for 30 seconds after stopping. Not required with SystemVu™ controller, RTU Open controller, or authorized commercial thermostats.

Options and Accessory Weights^a

OPTION / ACCESSORY NAME	50FCQ UNIT WEIGHT							
	04		05		06		07	
	lb	kg	lb	kg	lb	kg	lb	kg
Power Exhaust — Vertical	51	23	51	23	51	23	51	23
Power Exhaust — Horizontal	39	18	39	18	39	18	39	18
EconoMi\$er® (X, IV or 2)	35	16	35	16	35	16	35	16
Two-Position Damper	39	18	39	18	39	18	58	26
Manual Damper	12	5	12	5	12	5	18	8
Hail Guard (louvered)	13	6	13	6	13	6	17	8
Cu/Cu Condenser Coil	37	17	74	34	74	34	95	43
Cu/Cu Condenser and Evaporator Coils	75	34	112	51	112	51	165	75
Roof Curb (14 in. curb)	95	43	95	43	95	43	95	43
Roof Curb (24 in. curb)	150	68	150	68	150	68	150	68
CO ₂ Sensor	2	1	2	1	2	1	2	1
Optional Indoor Motor/Drive	10	5	10	5	10	5	15	7
Low Ambient Controller	9	4	9	4	9	4	9	4
Winter Start Kit	5	2	5	2	5	2	5	2
Return Air Smoke Detector	7	3	7	3	7	3	7	3
Supply Air Smoke Detector	7	3	7	3	7	3	7	3
Fan Filter Switch	2	1	2	1	2	1	2	1
Non-Fused Disconnect	15	7	15	7	15	7	15	7
Powered Convenience Outlet	36	16	36	16	36	16	36	16
Unpowered Convenience Outlet	4	2	4	2	4	2	4	2
Enthalpy Sensor	2	1	2	1	2	1	2	1
Differential Enthalpy Sensor	3	1	3	1	3	1	3	1

NOTE(S):

a. Where multiple variations are available, the heaviest combination is listed.

50FCQ*04-07 Base Unit Dimensions

- NOTES:
1. DIMENSIONS ARE IN INCHES, DIMENSIONS IN [] ARE IN MILLIMETERS.
 2. CENTER OF GRAVITY
 3. DIRECTION OF AIR FLOW
 4. ALL VIEW DRAWN USING 3RD ANGLE

UNIT	J	K
50FCQ*04	33 3/8 [847]	7 7/8 [200]
50FCQ*05	33 3/8 [847]	14 7/8 [377]
50FCQ*06	41 3/8 [1051]	18 5/8 [472]
50FCQ*07	41 3/8 [1051]	18 5/8 [472]



THIS DOCUMENT IS THE PROPERTY OF UTC CLIMATE, CONTROLS & SECURITY AND IS DELIVERED UPON THE EXPRESS CONDITION THAT THE CONTENTS WILL NOT BE DISCLOSED OR USED WITHOUT WRITTEN CONSENT.

SUBMISSION OF THESE DRAWINGS OR DOCUMENTS DOES NOT CONSTITUTE PART PERFORMANCE OR ACCEPTANCE OF CONTRACT.

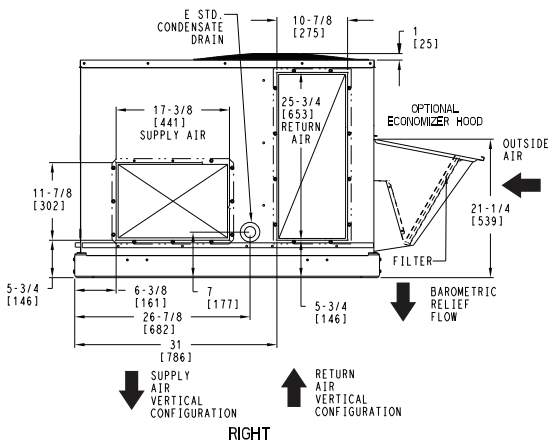
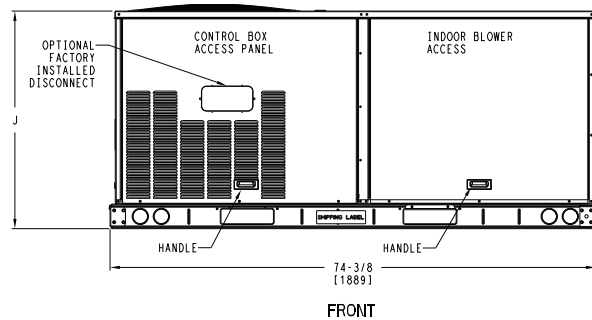
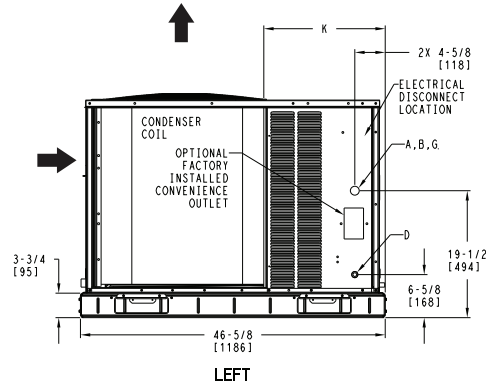
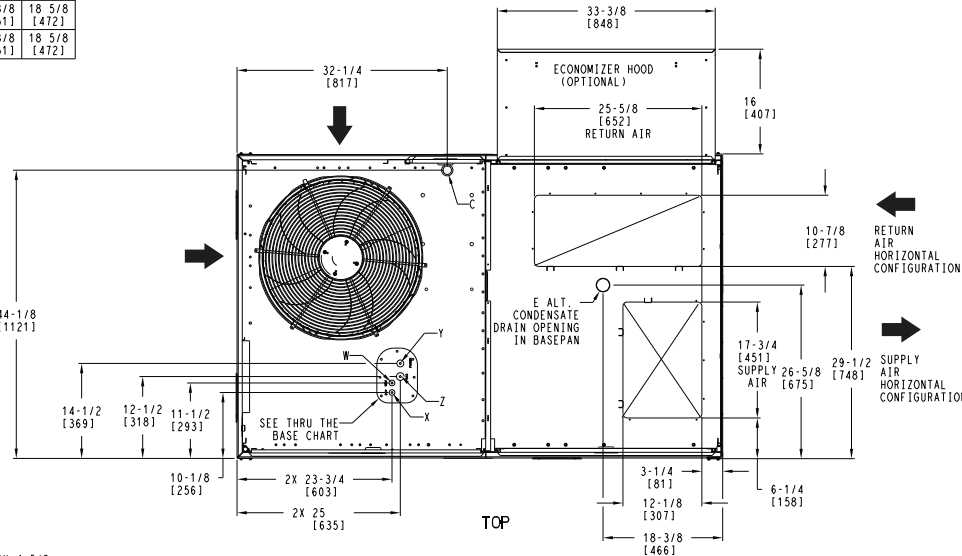
CONNECTION SIZES	
A	1 3/8" [35] DIA FIELD POWER SUPPLY HOLE
B	2" [51] DIA POWER SUPPLY KNOCKOUT
C	1 3/4" [44] DIA GAUGE ACCESS PLUG
D	7/8" [22] DIA FIELD CONTROL WIRING HOLE
E	3/4"-14 NPT CONDENSATE DRAIN
G	2 1/2" [64] DIA POWER SUPPLY KNOCK-OUT

THRU-THE-BASE CHART THESE HOLES REQUIRED FOR USE CRBTMPW008A00, 009A00		
THREADED CONDUIT SIZE	WIRE USE	REQ'D HOLE SIZES (MAX.)
W	1/2"	11/8" [29.2]
X	1/2"	24V 7/8" [22.2]
Y*	3/4"	POWER 1 1/8" [28.6]
**	(009A00) 1/2" FPT GAS	1 1/8" [28.6]

FOR "THRU-THE-BASEPAN" FACTORY OPTION, FITTINGS FOR ONLY X, Y, & Z ARE PROVIDED

* SELECT EITHER 3/4" OR 1/2" FOR POWER, DEPENDING ON WIRE SIZE

** (008A00) PROVIDES 3/4" FPT THRU CURB FLANGE & FITTING.



ITC CLASSIFICATION	SHEET	DATE	SUPERCEDES	50FCQ 04-07 SINGLE PACKAGE HEAT PUMP	48TC003348	REV
U.S. ECCN:NSR	1 OF 3	08/15/19	-			-



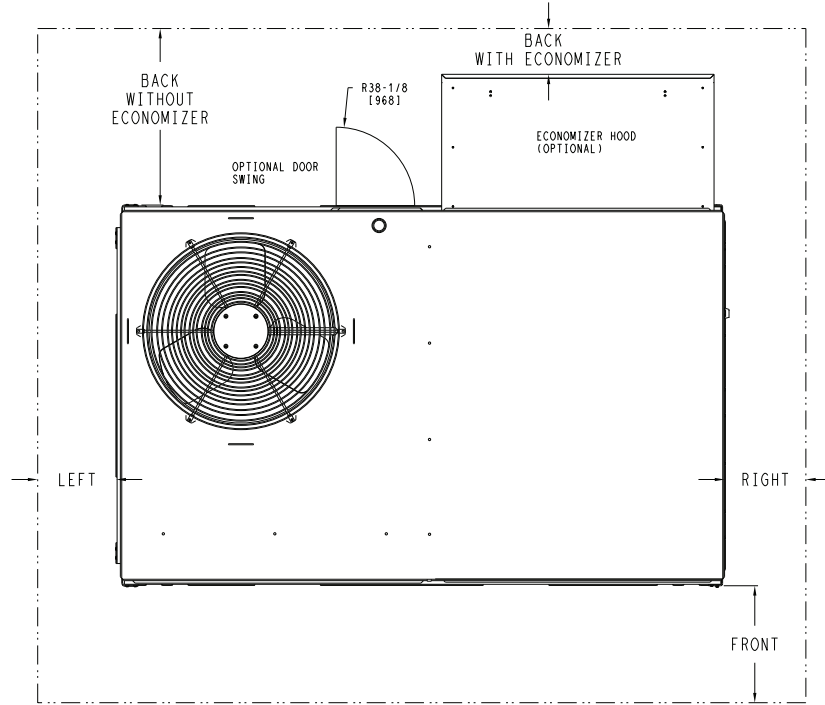
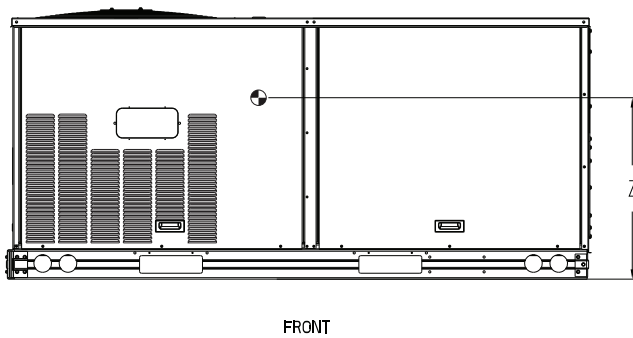
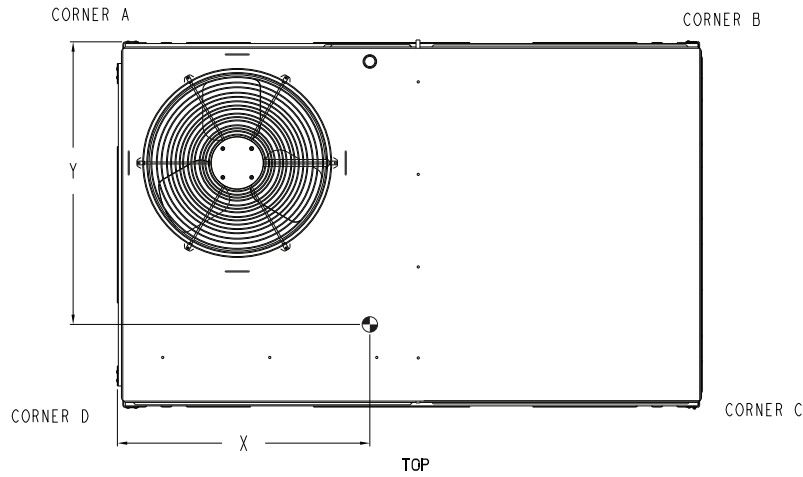
50FCQ*04-07 Base Unit Dimensions (cont)

UNIT	STD. UNIT WEIGHT*		CORNER WEIGHT (A)		CORNER WEIGHT (B)		CORNER WEIGHT (C)		CORNER WEIGHT (D)		C. G.			HEIGHT
	LBS.	KG.	LBS.	KG.	LBS.	KG.	LBS.	KG.	LBS.	KG.	X	Y	Z	
50FCQ*04	467	212	126	57	118	53	108	49	115	52	36 [914]	22 3/8 [568]	16 1/8 [410]	
50FCQ*05	473	215	127	58	119	54	110	50	117	53	36 [914]	22 3/8 [568]	16 1/8 [410]	
50FCQ*06	584	265	160	72	145	66	133	60	146	66	35 3/8 [898]	22 5/16 [557]	16 1/2 [419]	
50FCQ*07	589	267	161	73	146	66	134	61	147	67	35 3/8 [898]	22 5/16 [557]	16 1/2 [419]	

* STANDARD UNIT WEIGHT IS WITHOUT ELECTRIC HEAT AND WITHOUT PACKAGING. FOR OTHER OPTIONS AND ACCESSORIES, REFER TO THE PRODUCT DATA CATALOG.



THIS DOCUMENT IS THE PROPERTY OF UTC CLIMATE, CONTROLS & SECURITY AND IS DELIVERED UPON THE EXPRESS CONDITION THAT THE CONTENTS WILL NOT BE DISCLOSED OR USED WITHOUT WRITTEN CONSENT. SUBMISSION OF THESE DRAWINGS OR DOCUMENTS DOES NOT CONSTITUTE PART PERFORMANCE OR ACCEPTANCE OF CONTRACT.



NOTE:

1. FOR ALL MINIMUM CLEARANCES LOCAL CODES OR JURISDICTIONS MAY PREVAIL.

SURFACE	CLEARANCE		OPERATING CLEARANCE
	SERVICE WITH CONDUCTIVE BARRIER	SERVICE WITH NONCONDUCTIVE BARRIER	
FRONT	48 [1219mm]	36 [914mm]	18 [457mm]
LEFT	48 [1219mm]	42 [1067mm]	18 [457mm]
BACK W/O ECON	48 [1219mm]	42 [1067mm]	18 [457mm]
BACK W/ECON	36 [914mm]	36 [914mm]	18 [457mm]
RIGHT	36 [914mm]	36 [914mm]	18 [457mm]
TOP	72 [1829mm]	72 [1829mm]	72 [1829mm]

ITC CLASSIFICATION	SHEET	DATE	SUPERCEDES	50FCQ 04-07 SINGLE PACKAGE HEAT PUMP	48TC003348	REV
U.S. ECCN:NSR	2 OF 3	08/15/19	-			-

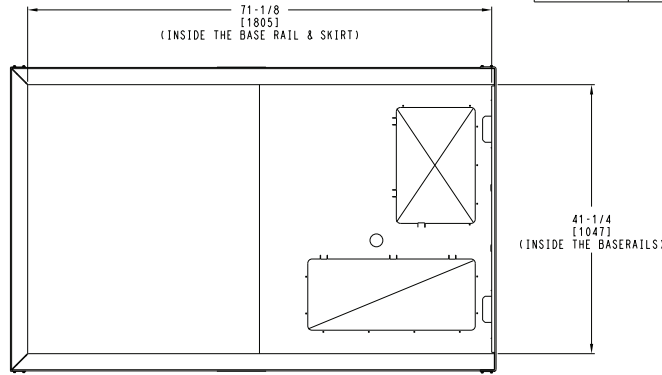
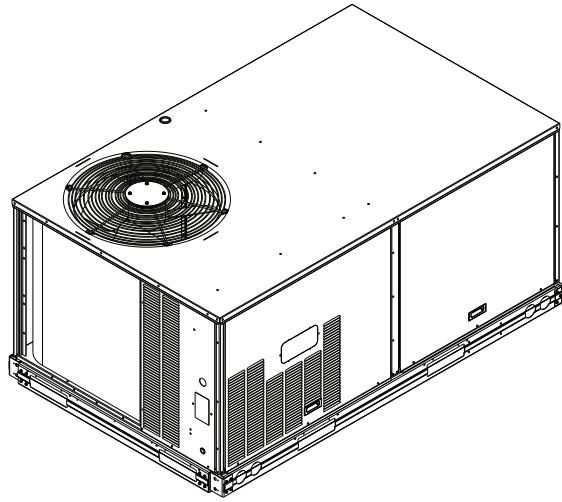


50FCQ*04-07 Base Unit Dimensions (cont)

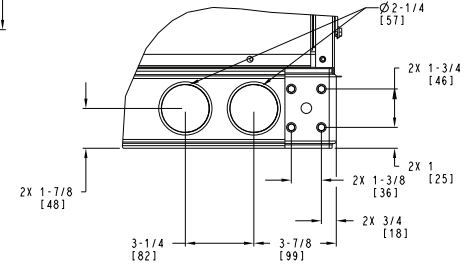
Carrier
United Technologies

THIS DOCUMENT IS THE PROPERTY OF UTC CLIMATE, CONTROLS & SECURITY AND IS DELIVERED UPON THE EXPRESS CONDITION THAT THE CONTENTS WILL NOT BE DISCLOSED OR USED WITHOUT WRITTEN CONSENT.

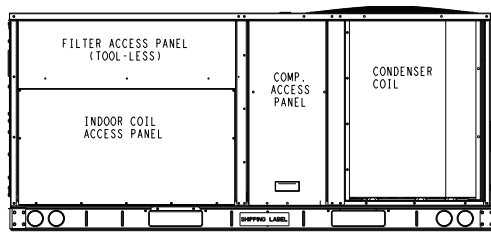
SUBMISSION OF THESE DRAWINGS OR DOCUMENTS DOES NOT CONSTITUTE PART PERFORMANCE OR ACCEPTANCE OF CONTRACT.



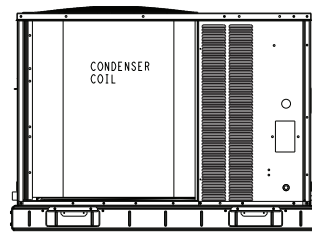
INSIDE BASERAIL DIMENSIONS
BOTTOM



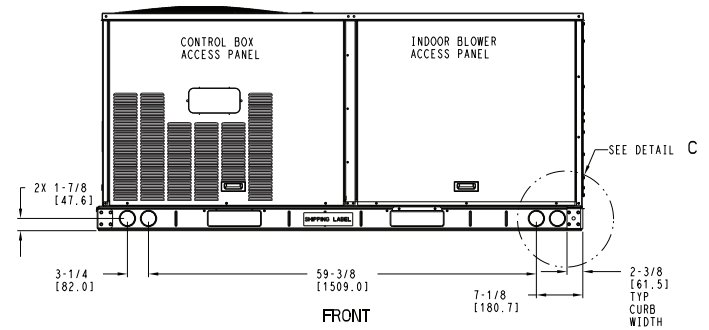
DETAIL C
TYP 4 PLCS



BACK



LEFT



FRONT

ITC CLASSIFICATION	SHEET	DATE	SUPERCEDES	50FCQ 04-07 SINGLE PACKAGE HEAT PUMP	48TC003348	REV
U.S. ECCN:NSR	3 OF 3	08/15/19	-			-

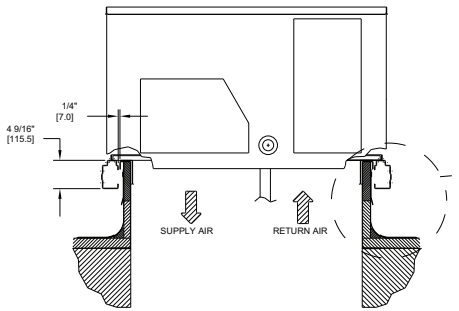
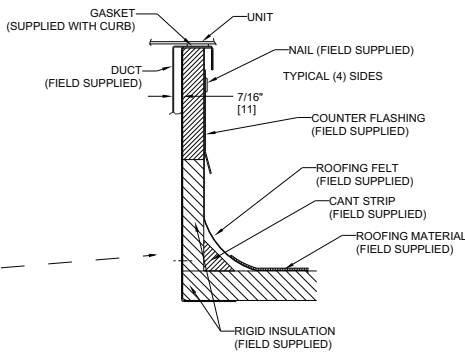
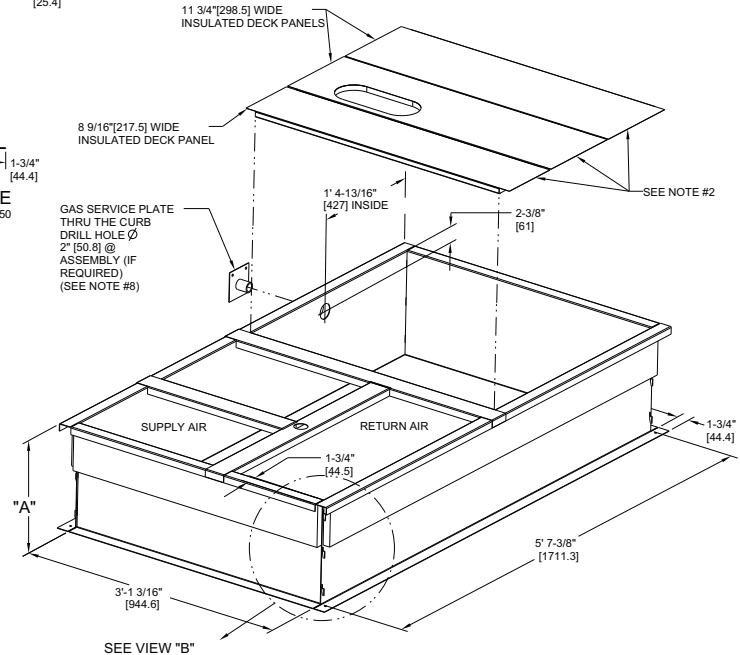
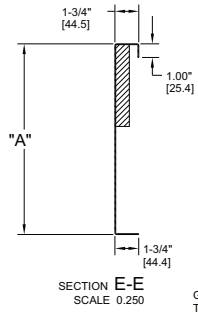
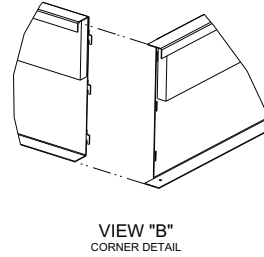
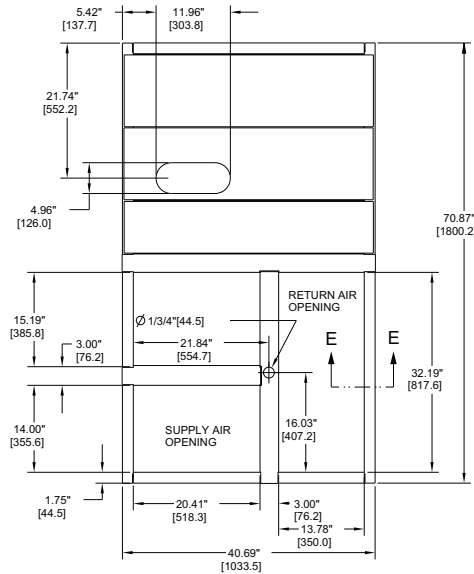


Roof Curb Dimensions — 50FCQ 04-07

ROOF CURB ACCESSORY #	A
CRRFCURB001A01	14" [356]
CRRFCURB002A01	24" [610]

- NOTES:**
1. ROOFCURB ACCESSORY IS SHIPPED DISASSEMBLED.
 2. INSULATED PANELS: 25.4 [1"] THK. POLYURETHANE FOAM, 44.5 [1-3/4"] # DENSITY.
 3. DIMENSIONS IN [] ARE IN MILLIMETERS.
 4. ROOFCURB: 18 GAGE STEEL.
 5. ATTACH DUCTWORK TO CURB. (FLANGES OF DUCT REST ON CURB).
 6. SERVICE CLEARANCE 4 FEET ON EACH SIDE.
 7. DIRECTION OF AIR FLOW.
 8. CONNECTOR PACKAGE CRBTMPWR001A01 IS FOR THRU-THE-CURB GAS TYPE PACKAGE CRBTMPWR003A01 IS FOR THRU-THE-BOTTOM TYPE GAS CONNECTIONS.

CONNECTOR PKG. ACC.	GAS CONNECTION TYPE	GAS FITTING	POWER WIRING FITTING	CONTROL WIRING FITTING	ACCESSORY CONVENIENCE OUTLET WIRING CONNECTOR
CRBTMPWR001A01	THRU THE CURB	3/4" [19] NPT	3/4" [19] NPT	1/2" [12.7] NPT	1/2" [12.7] NPT
CRBTMPWR003A01	THRU THE BOTTOM	1/2" [12.7] NPT			



CERTIFIED DRAWING

A	OVERALL DIM. 5'-7 3/8" WAS 5'-7 7/8; 18GA MATERIAL WA 16 GA.; NAIL FIELD SUPPLIED WAS WITH CURB	04/22/13	MMC	-	-	1067898
REV	REVISION RECORD	DATE	BY	CHKD	APPD	ECN NO.

DRAWING RELEASE LEVEL: PRODUCTION		UNLESS OTHERWISE SPECIFIED DIMENSIONS ARE IN INCHES. TOLERANCES ON:		TITLE	
THIRD ANGLE PROJECTION		1 DEC ± .005	2 DEC ± .005	3 DEC ± .005	ANG ± .005
MATERIAL	-	AUTHORIZATION NUMBER			48TC400427
WEIGHT	-	1041738			
ENGINEERING REQUIREMENTS	T-005, Y-002	ENGINEERING	MANUFACTURING		SIZE
SURFACE FINISH	-	MMC	06/17/11	-	D
MFG/PURCH	PURCH	MODEL (INTERNAL USE ONLY)			DRAWING NUMBER
					48TC400427
					REV
					B
					SHEET 5 OF 5
NEXT DRAWING			SCALE	DISTRIBUTION	
-			N/A	MMC	



50FCQA04 Single Stage Cooling Capacities^a

50FCQA04			AMBIENT TEMPERATURE (F)													
			85			95			105			115				
			EA (db)			EA (db)			EA (db)			EA (db)				
			75	80	85	75	80	85	75	80	85	75	80	85		
900 Cfm	EA (wb)	58	TC	30.8	30.8	34.8	28.8	28.8	32.6	26.6	26.6	30.2	24.2	24.2	27.5	
			SHC	26.7	30.8	34.8	24.9	28.8	32.6	23.0	26.6	30.2	20.9	24.2	27.5	
		62	TC	33.0	33.0	33.9	30.2	30.2	32.4	27.3	27.3	30.8	24.3	24.3	28.7	
			SHC	24.6	29.2	33.9	23.1	27.8	32.4	21.6	26.2	30.8	19.8	24.3	28.7	
		67	TC	37.4	37.4	37.4	34.7	34.7	34.7	31.5	31.5	31.5	28.2	28.2	28.2	
			SHC	20.6	25.2	29.8	19.4	24.0	28.6	17.8	22.5	27.1	16.3	20.9	25.5	
	72	TC	40.3	40.3	40.3	38.7	38.7	38.7	36.1	36.1	36.1	32.9	32.9	32.9		
		SHC	15.8	20.2	24.5	15.0	19.5	24.0	13.9	18.4	23.0	12.5	17.0	21.6		
	76	TC	—	41.4	41.4	—	40.4	40.4	—	38.5	38.5	—	35.9	35.9		
		SHC	—	16.2	21.0	—	15.5	20.1	—	14.6	19.1	—	13.5	17.9		
	1050 Cfm	EA (wb)	58	TC	33.0	33.0	37.3	30.7	30.7	34.8	28.4	28.4	32.2	25.9	25.9	29.5
				SHC	28.6	33.0	37.3	26.7	30.7	34.8	24.6	28.4	32.2	22.4	25.9	29.5
62			TC	34.4	34.4	37.4	31.4	31.4	35.7	29.0	29.0	32.2	26.0	26.0	30.7	
			SHC	26.8	32.1	37.4	25.2	30.4	35.7	22.8	27.5	32.2	21.2	26.0	30.7	
67			TC	38.5	38.5	38.5	36.0	36.0	36.0	32.8	32.8	32.8	29.2	29.2	29.2	
			SHC	21.9	27.1	32.3	20.8	26.1	31.4	19.3	24.6	29.9	17.7	23.0	28.3	
72		TC	40.7	40.7	40.7	39.4	39.4	39.4	37.1	37.1	37.1	33.9	33.9	33.9		
		SHC	16.1	20.9	25.7	15.5	20.5	25.5	14.4	19.6	24.8	13.1	18.4	23.6		
76		TC	—	41.7	41.7	—	40.8	40.8	—	39.0	39.0	—	36.5	36.5		
		SHC	—	16.5	21.6	—	15.9	20.9	—	15.1	20.0	—	14.0	19.0		
1200 Cfm		EA (wb)	58	TC	34.9	34.9	39.5	32.6	32.6	36.9	30.1	30.1	34.1	27.4	27.4	31.2
				SHC	30.3	34.9	39.5	28.3	32.6	36.9	26.0	30.1	34.1	23.7	27.4	31.2
	62		TC	35.5	35.5	40.5	32.6	32.6	38.4	30.1	30.1	35.5	27.5	27.5	32.4	
			SHC	28.7	34.6	40.5	26.9	32.6	38.4	24.7	30.1	35.5	22.5	27.5	32.4	
	67		TC	39.2	39.2	39.2	37.0	37.0	37.0	33.8	33.8	33.8	30.1	30.1	30.9	
			SHC	22.9	28.6	34.3	22.0	27.9	33.9	20.6	26.6	32.6	19.0	25.0	30.9	
	72	TC	41.1	41.1	41.1	39.9	39.9	39.9	37.7	37.7	37.7	34.7	34.7	34.7		
		SHC	16.4	21.5	26.6	15.8	21.3	26.7	14.9	20.6	26.3	13.6	19.5	25.4		
	76	TC	—	41.9	41.9	—	41.1	41.1	—	39.4	39.4	—	36.9	36.9		
		SHC	—	16.8	22.2	—	16.3	21.6	—	15.5	20.9	—	14.5	19.9		
	1350 Cfm	EA (wb)	58	TC	36.4	36.4	41.2	34.2	34.2	38.7	31.5	31.5	35.7	28.7	28.7	32.6
				SHC	31.7	36.4	41.2	29.7	34.2	38.7	27.3	31.5	35.7	24.9	28.7	32.6
62			TC	36.5	36.5	42.9	34.2	34.2	40.2	31.6	31.6	37.2	28.8	28.8	34.0	
			SHC	30.2	36.5	42.9	28.2	34.2	40.2	26.0	31.6	37.2	23.6	28.8	34.0	
67			TC	39.7	39.7	39.7	37.7	37.7	37.7	34.6	34.6	35.2	30.8	30.8	33.5	
			SHC	23.7	29.9	36.1	23.1	29.6	36.1	21.9	28.5	35.2	20.2	26.9	33.5	
72		TC	41.3	41.3	41.3	40.2	40.2	40.2	38.1	38.1	38.1	35.2	35.2	35.2		
		SHC	16.6	22.0	27.5	16.1	21.9	27.8	15.2	21.4	27.6	14.1	20.5	27.0		
76		TC	—	42.0	42.0	—	41.3	41.3	—	39.6	39.6	—	37.1	37.1		
		SHC	—	17.0	22.7	—	16.5	22.2	—	15.8	21.6	—	14.8	20.8		
1500 Cfm		EA (wb)	58	TC	37.6	37.6	42.5	35.5	35.5	40.1	32.8	32.8	37.2	29.9	29.9	33.9
				SHC	32.8	37.6	42.5	30.8	35.5	40.1	28.5	32.8	37.2	25.9	29.9	33.9
	62		TC	37.7	37.7	44.2	35.5	35.5	41.7	32.9	32.9	38.7	29.9	29.9	35.3	
			SHC	31.1	37.7	44.2	29.3	35.5	41.7	27.1	32.9	38.7	24.6	29.9	35.3	
	67		TC	40.0	40.0	40.0	38.2	38.2	38.2	35.2	35.2	37.5	31.4	31.4	35.9	
			SHC	24.4	31.0	37.6	24.1	31.1	38.2	23.0	30.2	37.5	21.4	28.7	35.9	
	72	TC	41.4	41.4	41.4	40.4	40.4	40.4	38.4	38.4	38.4	35.6	35.6	35.6		
		SHC	16.7	22.4	28.2	16.3	22.5	28.8	15.5	22.2	28.8	14.5	21.4	28.4		
	76	TC	—	42.1	42.1	—	41.5	41.5	—	39.8	39.8	—	37.3	37.3		
		SHC	—	17.2	23.1	—	16.8	22.8	—	16.1	22.2	—	15.2	21.5		

NOTE(S):

a. See minimum-maximum airflow ratings on page 7.

LEGEND

—	Do Not Operate
Cfm	Cubic Feet Per Minute (Supply Air)
EA (db)	Entering Air Temperature (dry bulb)
EA (wb)	Entering Air Temperature (wet bulb)
SHC	Sensible Heat Capacity (1000 Btuh) Gross
TC	Total Capacity (1000 Btuh) Gross

50FCQC05 Single Stage Cooling Capacities — 1 Phase^a

50FCQC05			AMBIENT TEMPERATURE (F)													
			85			95			105			115				
			EA (db)			EA (db)			EA (db)			EA (db)				
			75	80	85	75	80	85	75	80	85	75	80	85		
1200 Cfm	EA (wb)	58	TC	43.4	43.4	48.9	41.2	41.2	46.4	38.7	38.7	43.6	36.0	36.0	40.5	
			SHC	37.9	43.4	48.9	36.0	41.2	46.4	33.8	38.7	43.6	31.5	36.0	40.5	
		62	TC	45.7	45.7	46.6	43.1	43.1	45.5	39.8	39.8	43.9	36.1	36.1	41.8	
			SHC	34.4	40.5	46.6	33.2	39.4	45.5	31.7	37.8	43.9	29.9	35.8	41.8	
		67	TC	50.7	50.7	50.7	48.1	48.1	48.1	45.0	45.0	45.0	41.1	41.1	41.1	
			SHC	28.5	34.5	40.5	27.4	33.5	39.5	26.2	32.3	38.4	24.7	30.8	36.9	
	72	TC	55.5	55.5	55.5	53.1	53.1	53.1	50.2	50.2	50.2	46.6	46.6	46.6		
		SHC	22.3	28.1	33.8	21.4	27.2	33.0	20.3	26.2	32.1	19.0	24.9	30.9		
	76	TC	—	58.9	58.9	—	56.4	56.4	—	53.6	53.6	—	50.6	50.6		
		SHC	—	22.7	29.3	—	21.8	28.4	—	21.0	26.3	—	20.1	25.6		
	1400 Cfm	EA (wb)	58	TC	45.9	45.9	51.7	43.8	43.8	49.4	41.2	41.2	46.3	38.3	38.3	43.1
				SHC	40.1	45.9	51.7	38.3	43.8	49.4	36.0	41.2	46.3	33.5	38.3	43.1
62			TC	47.3	47.3	51.1	44.6	44.6	49.8	41.1	41.1	48.1	38.5	38.5	44.4	
			SHC	37.1	44.1	51.1	35.9	42.8	49.8	34.2	41.1	48.1	31.7	38.1	44.4	
67			TC	52.2	52.2	52.2	49.6	49.6	49.6	46.4	46.4	46.4	42.4	42.4	42.4	
			SHC	30.1	37.0	43.9	29.1	36.1	43.0	27.9	34.9	41.9	26.4	33.4	40.5	
72		TC	56.8	56.8	56.8	54.3	54.3	54.3	51.4	51.4	51.4	47.9	47.9	47.9		
		SHC	22.9	29.5	36.1	22.0	28.7	35.4	20.9	27.7	34.6	19.7	26.6	33.5		
76		TC	—	59.9	59.9	—	57.5	57.5	—	54.6	54.6	—	51.4	51.4		
		SHC	—	23.3	29.0	—	22.6	28.7	—	21.7	28.1	—	20.7	27.3		
1600 Cfm		EA (wb)	58	TC	48.1	48.1	54.2	45.9	45.9	51.6	43.2	43.2	48.6	40.2	40.2	45.3
				SHC	42.0	48.1	54.2	40.1	45.9	51.6	37.7	43.2	48.6	35.2	40.2	45.3
	62		TC	48.7	48.7	55.1	46.2	46.2	51.8	43.2	43.2	50.5	40.3	40.3	47.0	
			SHC	39.5	47.3	55.1	37.3	44.6	51.8	36.0	43.2	50.5	33.5	40.3	47.0	
	67		TC	53.4	53.4	53.4	50.6	50.6	50.6	47.5	47.5	47.5	43.3	43.3	44.0	
			SHC	31.6	39.4	47.1	30.6	38.4	46.2	29.5	37.5	45.4	28.0	36.0	44.0	
	72	TC	57.7	57.7	57.7	55.2	55.2	55.2	52.3	52.3	52.3	48.8	48.8	48.8		
		SHC	23.3	30.7	38.1	22.4	30.0	37.5	21.4	29.1	36.7	20.3	28.1	35.9		
	76	TC	—	60.8	60.8	—	58.2	58.2	—	55.3	55.3	—	52.1	52.1		
		SHC	—	23.9	30.7	—	23.1	30.2	—	22.2	29.5	—	21.3	28.7		
	1800 Cfm	EA (wb)	58	TC	49.8	49.8	56.1	47.7	47.7	53.7	45.0	45.0	50.7	41.8	41.8	47.1
				SHC	43.5	49.8	56.1	41.6	47.7	53.7	39.3	45.0	50.7	36.5	41.8	47.1
62			TC	50.4	50.4	57.2	47.7	47.7	55.6	45.1	45.1	52.7	41.8	41.8	48.9	
			SHC	41.0	49.1	57.2	39.6	47.6	55.6	37.5	45.1	52.7	34.8	41.8	48.9	
67			TC	54.3	54.3	54.3	51.6	51.6	51.6	48.4	48.4	48.6	44.0	44.0	47.2	
			SHC	33.0	41.5	50.1	32.1	40.8	49.4	31.0	39.8	48.6	29.5	38.4	47.2	
72		TC	58.5	58.5	58.5	55.9	55.9	55.9	52.9	52.9	52.9	49.5	49.5	49.5		
		SHC	23.7	31.8	40.0	22.8	31.1	39.5	21.8	30.3	38.7	20.8	29.4	38.0		
76		TC	—	61.5	61.5	—	58.9	58.9	—	55.8	55.8	—	52.5	52.5		
		SHC	—	24.4	32.2	—	23.6	31.5	—	22.7	30.8	—	21.7	30.0		
2000 Cfm		EA (wb)	58	TC	51.3	51.3	57.8	49.1	49.1	55.3	46.5	46.5	52.4	43.1	43.1	48.6
				SHC	44.8	51.3	57.8	42.9	49.1	55.3	40.7	46.5	52.4	37.7	43.1	48.6
	62		TC	51.8	51.8	58.6	49.2	49.2	57.4	46.6	46.6	54.4	43.2	43.2	50.5	
			SHC	42.0	50.3	58.6	40.9	49.2	57.4	38.7	46.6	54.4	35.9	43.2	50.5	
	67		TC	54.9	54.9	54.9	52.2	52.2	52.4	49.0	49.0	51.6	44.7	44.7	50.4	
			SHC	34.2	43.5	52.9	33.4	42.9	52.4	32.4	42.0	51.6	31.0	40.7	50.4	
	72	TC	59.0	59.0	59.0	56.4	56.4	56.4	53.4	53.4	53.4	50.0	50.0	50.0		
		SHC	24.0	32.9	41.8	23.1	32.2	41.3	22.2	31.4	40.6	21.2	30.6	40.0		
	76	TC	—	61.9	61.9	—	59.3	59.3	—	56.3	56.3	—	52.9	52.9		
		SHC	—	24.7	33.3	—	24.0	32.7	—	23.1	32.0	—	22.1	31.1		

NOTE(S):

a. See minimum-maximum airflow ratings on page 7.

LEGEND

- Do Not Operate
- Cfm — Cubic Feet Per Minute (Supply Air)
- EA (db) — Entering Air Temperature (dry bulb)
- EA (wb) — Entering Air Temperature (wet bulb)
- SHC — Sensible Heat Capacity (1000 Btuh) Gross
- TC — Total Capacity (1000 Btuh) Gross

50FCQA05 Single Stage Cooling Capacities — 3 Phase^a

50FCQA05			AMBIENT TEMPERATURE (F)													
			85			95			105			115				
			EA (db)			EA (db)			EA (db)			EA (db)				
			75	80	85	75	80	85	75	80	85	75	80	85		
1200 Cfm	EA (wb)	58	TC	42.2	42.2	47.7	39.8	39.8	45.0	37.1	37.1	42.0	34.1	34.1	38.6	
			SHC	36.7	42.2	47.7	34.6	39.8	45.0	32.2	37.1	42.0	29.6	34.1	38.6	
		62	TC	44.9	44.9	45.7	41.6	41.6	44.1	38.1	38.1	42.3	34.2	34.2	40.1	
			SHC	33.6	39.6	45.7	31.9	38.0	44.1	30.2	36.3	42.3	28.1	34.1	40.1	
		67	TC	50.1	50.1	50.1	47.1	47.1	47.1	43.3	43.3	43.3	39.3	39.3	39.3	
			SHC	27.9	33.9	39.8	26.5	32.5	38.5	24.8	30.9	36.9	23.1	29.2	35.3	
	72	TC	55.1	55.1	55.1	52.4	52.4	52.4	49.1	49.1	49.1	44.8	44.8	44.8		
		SHC	22.0	27.7	33.4	20.8	26.6	32.4	19.4	25.3	31.1	17.7	23.6	29.5		
	76	TC	—	58.7	58.7	—	56.0	56.0	—	53.1	53.1	—	49.5	49.5		
		SHC	—	22.6	29.2	—	21.5	28.1	—	20.5	25.6	—	19.0	24.2		
	1400 Cfm	EA (wb)	58	TC	45.1	45.1	50.9	42.4	42.4	47.9	39.6	39.6	44.8	36.4	36.4	41.2
				SHC	39.3	45.1	50.9	36.9	42.4	47.9	34.4	39.6	44.8	31.7	36.4	41.2
62			TC	46.7	46.7	50.3	43.2	43.2	48.5	40.3	40.3	43.9	36.9	36.9	41.6	
			SHC	36.4	43.4	50.3	34.6	41.5	48.5	31.5	37.7	43.9	29.5	35.6	41.6	
67			TC	51.7	51.7	51.7	48.7	48.7	48.7	44.8	44.8	44.8	40.5	40.5	40.5	
			SHC	29.6	36.5	43.3	28.4	35.3	42.3	26.7	33.7	40.7	24.9	31.9	39.0	
72		TC	56.5	56.5	56.5	53.7	53.7	53.7	50.5	50.5	50.5	46.3	46.3	46.3		
		SHC	22.7	29.3	35.9	21.5	28.2	35.0	20.2	27.0	33.9	18.5	25.4	32.3		
76		TC	—	59.9	59.9	—	57.2	57.2	—	54.1	54.1	—	50.7	50.7		
		SHC	—	23.4	28.8	—	22.4	28.5	—	21.3	27.7	—	20.0	26.6		
1600 Cfm		EA (wb)	58	TC	47.3	47.3	53.4	44.6	44.6	50.4	41.6	41.6	47.0	38.4	38.4	43.4
				SHC	41.2	47.3	53.4	38.8	44.6	50.4	36.2	41.6	47.0	33.4	38.4	43.4
	62		TC	48.1	48.1	54.4	44.9	44.9	51.8	41.9	41.9	47.9	38.4	38.4	45.2	
			SHC	38.8	46.6	54.4	36.7	44.2	51.8	33.9	40.9	47.9	31.7	38.4	45.2	
	67		TC	52.9	52.9	52.9	49.9	49.9	49.9	46.0	46.0	46.0	41.5	41.5	42.5	
			SHC	31.2	38.9	46.7	30.0	37.8	45.7	28.4	36.4	44.3	26.6	34.5	42.5	
	72	TC	57.5	57.5	57.5	54.8	54.8	54.8	51.5	51.5	51.5	47.3	47.3	47.3		
		SHC	23.3	30.7	38.1	22.1	29.7	37.2	20.9	28.6	36.3	19.3	27.1	34.9		
	76	TC	—	60.9	60.9	—	58.1	58.1	—	55.0	55.0	—	51.5	51.5		
		SHC	—	24.1	30.9	—	23.1	30.2	—	22.0	29.3	—	20.9	28.4		
	1800 Cfm	EA (wb)	58	TC	49.2	49.2	55.5	46.7	46.7	52.7	43.4	43.4	49.0	40.0	40.0	45.3
				SHC	42.9	49.2	55.5	40.6	46.7	52.7	37.7	43.4	49.0	34.8	40.0	45.3
62			TC	49.7	49.7	56.9	47.1	47.1	53.1	43.4	43.4	50.9	40.1	40.1	47.1	
			SHC	40.5	48.7	56.9	37.9	45.5	53.1	35.9	43.4	50.9	33.1	40.1	47.1	
67			TC	53.8	53.8	53.8	50.8	50.8	50.8	46.9	46.9	47.7	42.3	42.3	45.8	
			SHC	32.6	41.2	49.7	31.5	40.2	48.9	30.0	38.8	47.7	28.1	36.9	45.8	
72		TC	58.3	58.3	58.3	55.5	55.5	55.5	52.3	52.3	52.3	48.1	48.1	48.1		
		SHC	23.8	32.0	40.2	22.7	31.0	39.3	21.5	30.0	38.5	19.9	28.6	37.3		
76		TC	—	61.6	61.6	—	58.8	58.8	—	55.6	55.6	—	52.1	52.1		
		SHC	—	24.8	32.6	—	23.8	31.7	—	22.7	30.8	—	21.6	30.0		
2000 Cfm		EA (wb)	58	TC	50.7	50.7	57.2	48.3	48.3	54.5	44.9	44.9	50.8	41.4	41.4	46.8
				SHC	44.2	50.7	57.2	42.0	48.3	54.5	39.1	44.9	50.8	36.0	41.4	46.8
	62		TC	51.5	51.5	57.5	48.3	48.3	56.6	45.0	45.0	52.8	41.5	41.5	48.7	
			SHC	41.2	49.3	57.5	40.0	48.3	56.6	37.2	45.0	52.8	34.3	41.5	48.7	
	67		TC	54.6	54.6	54.6	51.6	51.6	51.9	47.7	47.7	50.9	43.0	43.0	49.0	
			SHC	33.9	43.2	52.5	32.9	42.4	51.9	31.5	41.2	50.9	29.6	39.3	49.0	
	72	TC	59.0	59.0	59.0	56.1	56.1	56.1	52.9	52.9	52.9	48.7	48.7	48.7		
		SHC	24.3	33.2	42.1	23.2	32.3	41.3	22.0	31.3	40.6	20.6	30.1	39.7		
	76	TC	—	62.1	62.1	—	59.3	59.3	—	56.0	56.0	—	52.6	52.6		
		SHC	—	25.5	34.1	—	24.5	33.2	—	23.3	32.2	—	22.3	31.4		

NOTE(S):

a. See minimum-maximum airflow ratings on page 7.

LEGEND

- Do Not Operate
- Cfm — Cubic Feet Per Minute (Supply Air)
- EA (db) — Entering Air Temperature (dry bulb)
- EA (wb) — Entering Air Temperature (wet bulb)
- SHC — Sensible Heat Capacity (1000 Btuh) Gross
- TC — Total Capacity (1000 Btuh) Gross

50FCQA06 Single Stage Cooling Capacities^a

50FCQA06			AMBIENT TEMPERATURE (F)													
			85			95			105			115				
			EA (db)			EA (db)			EA (db)			EA (db)				
			75	80	85	75	80	85	75	80	85	75	80	85		
1500 Cfm	EA (wb)	58	TC	53.2	53.2	60.1	49.8	49.8	56.3	46.2	46.2	52.3	42.4	42.4	48.0	
			SHC	46.3	53.2	60.1	43.3	49.8	56.3	40.1	46.2	52.3	36.7	42.4	48.0	
		62	TC	55.6	55.6	58.8	51.3	51.3	56.7	46.4	46.4	54.2	42.4	42.4	50.0	
			SHC	42.6	50.7	58.8	40.4	48.6	56.7	38.0	46.1	54.2	34.9	42.4	50.0	
		67	TC	62.7	62.7	62.7	58.2	58.2	58.2	53.5	53.5	53.5	48.1	48.1	48.1	
			SHC	35.4	43.4	51.5	33.3	41.4	49.5	31.2	39.3	47.4	28.9	37.0	45.1	
	72	TC	67.7	67.7	67.7	64.7	64.7	64.7	60.8	60.8	60.8	55.3	55.3	55.3		
		SHC	27.0	34.6	42.2	25.6	33.4	41.2	24.0	32.0	40.0	21.7	29.8	37.9		
	76	TC	—	73.5	73.5	—	69.7	69.7	—	66.0	66.0	—	61.5	61.5		
		SHC	—	28.5	35.0	—	27.0	34.1	—	25.5	33.1	—	23.9	31.7		
	1800 Cfm	EA (wb)	58	TC	56.9	56.9	64.2	53.4	53.4	60.4	49.6	49.6	56.1	45.4	45.4	51.4
				SHC	49.5	56.9	64.2	46.5	53.4	60.4	43.1	49.6	56.1	39.4	45.4	51.4
62			TC	57.8	57.8	65.3	53.7	53.7	62.3	49.7	49.7	58.4	45.5	45.5	53.5	
			SHC	46.5	55.9	65.3	44.0	53.1	62.3	41.0	49.7	58.4	37.4	45.5	53.5	
67			TC	64.1	64.1	64.1	60.3	60.3	60.3	55.3	55.3	55.3	49.9	49.9	50.3	
			SHC	37.4	46.6	55.8	35.9	45.3	54.7	33.7	43.1	52.5	31.4	40.8	50.3	
72		TC	70.2	70.2	70.2	66.8	66.8	66.8	62.6	62.6	62.6	57.2	57.2	57.2		
		SHC	28.2	37.2	46.2	26.8	35.9	45.0	25.1	34.4	43.8	22.9	32.3	41.7		
76		TC	—	75.8	75.8	—	72.1	72.1	—	67.9	67.9	—	63.1	63.1		
		SHC	—	29.9	38.6	—	28.5	37.3	—	27.0	35.9	—	25.2	34.4		
2100 Cfm		EA (wb)	58	TC	60.0	60.0	67.7	56.3	56.3	63.7	52.5	52.5	59.3	48.2	48.2	54.5
				SHC	52.2	60.0	67.7	49.0	56.3	63.7	45.6	52.5	59.3	41.8	48.2	54.5
	62		TC	60.1	60.1	70.4	56.4	56.4	66.2	52.5	52.5	61.7	48.2	48.2	56.8	
			SHC	49.7	60.1	70.4	46.6	56.4	66.2	43.4	52.5	61.7	39.7	48.2	56.8	
	67		TC	65.7	65.7	65.7	61.9	61.9	61.9	56.6	56.6	57.5	51.2	51.2	55.2	
			SHC	39.7	50.1	60.6	38.3	49.0	59.7	36.0	46.8	57.5	33.8	44.5	55.2	
	72	TC	72.0	72.0	72.0	68.6	68.6	68.6	64.1	64.1	64.1	58.5	58.5	58.5		
		SHC	29.3	39.6	49.9	27.9	38.3	48.7	26.1	36.8	47.4	24.0	34.6	45.3		
	76	TC	—	77.0	77.0	—	73.3	73.3	—	69.1	69.1	—	64.2	64.2		
		SHC	—	31.0	40.9	—	29.6	39.7	—	28.1	38.3	—	26.4	36.9		
	2400 Cfm	EA (wb)	58	TC	62.7	62.7	70.8	58.9	58.9	66.5	54.8	54.8	61.9	50.5	50.5	57.1
				SHC	54.6	62.7	70.8	51.2	58.9	66.5	47.6	54.8	61.9	43.8	50.5	57.1
62			TC	62.8	62.8	73.6	58.9	58.9	69.2	54.9	54.9	64.4	50.5	50.5	59.4	
			SHC	52.0	62.8	73.6	48.7	58.9	69.2	45.3	54.9	64.4	41.7	50.5	59.4	
67			TC	67.3	67.3	67.3	63.2	63.2	64.5	57.8	57.8	62.3	52.2	52.2	60.0	
			SHC	42.1	53.8	65.6	40.5	52.5	64.5	38.3	50.3	62.3	36.0	48.0	60.0	
72		TC	73.5	73.5	73.5	69.7	69.7	69.7	65.2	65.2	65.2	59.5	59.5	59.5		
		SHC	30.3	41.8	53.3	28.8	40.4	52.0	27.1	38.9	50.8	24.9	36.9	48.9		
76		TC	—	78.1	78.1	—	74.2	74.2	—	69.9	69.9	—	65.1	65.1		
		SHC	—	32.1	43.2	—	30.7	41.9	—	29.1	40.5	—	27.5	39.2		
2700 Cfm		EA (wb)	58	TC	64.6	64.6	72.9	61.0	61.0	69.0	56.8	56.8	64.2	52.3	52.3	59.2
				SHC	56.3	64.6	72.9	53.1	61.0	69.0	49.4	56.8	64.2	45.4	52.3	59.2
	62		TC	64.4	64.4	75.5	61.1	61.1	71.7	56.8	56.8	66.7	52.4	52.4	61.6	
			SHC	53.4	64.4	75.5	50.5	61.1	71.7	46.9	56.8	66.7	43.2	52.4	61.6	
	67		TC	68.3	68.3	70.0	64.2	64.2	69.1	58.8	58.8	67.1	53.1	53.1	64.6	
			SHC	44.1	57.1	70.0	42.7	55.9	69.1	40.5	53.8	67.1	38.1	51.4	64.6	
	72	TC	74.3	74.3	74.3	70.5	70.5	70.5	66.1	66.1	66.1	60.3	60.3	60.3		
		SHC	31.1	43.8	56.5	29.6	42.4	55.2	27.9	41.0	54.1	25.8	39.1	52.3		
	76	TC	—	78.9	78.9	—	74.9	74.9	—	70.6	70.6	—	65.8	65.8		
		SHC	—	33.0	45.2	—	31.7	44.1	—	30.1	42.7	—	28.6	41.5		

NOTE(S):

a. See minimum-maximum airflow ratings on page 7.

LEGEND

- Do Not Operate
- Cfm — Cubic Feet Per Minute (Supply Air)
- EA (db) — Entering Air Temperature (dry bulb)
- EA (wb) — Entering Air Temperature (wet bulb)
- SHC — Sensible Heat Capacity (1000 Btuh) Gross
- TC — Total Capacity (1000 Btuh) Gross

50FCQM07 High Stage Cooling Capacities^a

50FCQM07				AMBIENT TEMPERATURE (F)												
				85			95			105			115			
				EA (db)			EA (db)			EA (db)			EA (db)			
				75	80	85	75	80	85	75	80	85	75	80	85	
1800 Cfm	EA (wb)	58	TC	65.7	65.7	74.1	62.9	62.9	71.0	59.9	59.9	67.7	56.7	56.7	64.1	
			SHC	57.2	65.7	74.1	54.8	62.9	71.0	52.2	59.9	67.7	49.4	56.7	64.1	
		62	TC	68.3	68.3	71.8	64.8	64.8	70.0	61.0	61.0	68.2	57.0	57.0	66.2	
			SHC	52.3	62.0	71.8	50.5	60.3	70.0	48.7	58.5	68.2	46.7	56.5	66.2	
		67	TC	75.2	75.2	75.2	71.4	71.4	71.4	67.4	67.4	67.4	63.1	63.1	63.1	
			SHC	42.9	52.6	62.3	41.2	50.9	60.6	39.4	49.1	58.8	37.5	47.2	57.0	
	72	TC	81.1	81.1	81.1	78.4	78.4	78.4	74.4	74.4	74.4	69.7	69.7	69.7		
		SHC	32.6	41.7	50.9	31.5	41.0	50.6	29.9	39.5	49.2	28.0	37.7	47.4		
	76	TC	—	87.4	87.4	—	84.0	84.0	—	80.2	80.2	—	75.4	75.4		
		SHC	—	34.2	41.9	—	32.9	41.6	—	31.6	40.8	—	29.9	39.3		
	2100 Cfm	EA (wb)	58	TC	69.4	69.4	78.3	66.4	66.4	75.0	63.2	63.2	71.4	59.8	59.8	67.5
				SHC	60.5	69.4	78.3	57.9	66.4	75.0	55.1	63.2	71.4	52.1	59.8	67.5
62			TC	70.5	70.5	79.3	66.8	66.8	77.3	63.3	63.3	74.1	59.9	59.9	70.2	
			SHC	56.7	68.0	79.3	54.8	66.1	77.3	52.4	63.2	74.1	49.5	59.9	70.2	
67			TC	77.5	77.5	77.5	73.5	73.5	73.5	69.2	69.2	69.2	64.7	64.7	64.7	
			SHC	45.7	57.0	68.3	44.0	55.3	66.6	42.2	53.5	64.8	40.3	51.6	62.9	
72		TC	84.1	84.1	84.1	80.8	80.8	80.8	76.2	76.2	76.2	71.4	71.4	71.4		
		SHC	34.1	45.0	55.8	32.9	44.1	55.3	31.1	42.3	53.6	29.2	40.5	51.7		
76		TC	—	90.5	90.5	—	86.7	86.7	—	82.3	82.3	—	77.1	77.1		
		SHC	—	36.1	46.4	—	34.7	45.3	—	33.2	44.2	—	31.4	42.5		
2400 Cfm		EA (wb)	58	TC	72.6	72.6	81.9	69.4	69.4	78.3	66.0	66.0	74.5	62.4	62.4	70.4
				SHC	63.3	72.6	81.9	60.5	69.4	78.3	57.5	66.0	74.5	54.3	62.4	70.4
	62		TC	73.7	73.7	82.3	69.7	69.7	81.6	66.1	66.1	77.4	62.4	62.4	73.2	
			SHC	59.0	70.7	82.3	57.7	69.6	81.6	54.7	66.1	77.4	51.7	62.4	73.2	
	67		TC	79.2	79.2	79.2	75.0	75.0	75.0	70.6	70.6	70.6	65.9	65.9	68.7	
			SHC	48.5	61.3	74.2	46.7	59.6	72.4	44.9	57.7	70.6	42.9	55.8	68.7	
	72	TC	86.3	86.3	86.3	82.4	82.4	82.4	77.7	77.7	77.7	72.7	72.7	72.7		
		SHC	35.5	48.0	60.5	34.0	46.8	59.6	32.2	45.0	57.8	30.3	43.2	56.0		
	76	TC	—	92.8	92.8	—	88.7	88.7	—	83.8	83.8	—	78.5	78.5		
		SHC	—	37.7	49.7	—	36.3	48.7	—	34.7	47.2	—	32.9	45.5		
	2700 Cfm	EA (wb)	58	TC	75.3	75.3	84.9	71.9	71.9	81.1	68.3	68.3	77.1	64.5	64.5	72.8
				SHC	65.6	75.3	84.9	62.7	71.9	81.1	59.5	68.3	77.1	56.2	64.5	72.8
62			TC	75.3	75.3	88.2	72.0	72.0	84.3	68.4	68.4	80.2	64.6	64.6	75.7	
			SHC	62.5	75.3	88.2	59.7	72.0	84.3	56.7	68.4	80.2	53.5	64.6	75.7	
67			TC	80.5	80.5	80.5	76.2	76.2	78.2	71.6	71.6	76.3	66.8	66.8	74.3	
			SHC	51.1	65.5	79.9	49.3	63.7	78.2	47.5	61.9	76.3	45.5	59.9	74.3	
72		TC	88.3	88.3	88.3	83.7	83.7	83.7	78.8	78.8	78.8	73.6	73.6	73.6		
		SHC	36.9	51.2	65.5	35.1	49.5	63.8	33.3	47.6	62.0	31.4	45.8	60.1		
76		TC	—	94.7	94.7	—	90.1	90.1	—	85.0	85.0	—	79.5	79.5		
		SHC	—	39.3	53.0	—	37.8	51.9	—	36.1	50.2	—	34.2	48.4		
3000 Cfm		EA (wb)	58	TC	77.5	77.5	87.4	74.0	74.0	83.5	70.3	70.3	79.3	66.3	66.3	74.9
				SHC	67.6	77.5	87.4	64.6	74.0	83.5	61.3	70.3	79.3	57.8	66.3	74.9
	62		TC	77.6	77.6	90.9	74.1	74.1	86.8	70.4	70.4	82.5	66.4	66.4	77.8	
			SHC	64.4	77.6	90.9	61.4	74.1	86.8	58.3	70.4	82.5	55.0	66.4	77.8	
	67		TC	81.5	81.5	85.6	77.1	77.1	83.7	72.5	72.5	81.8	67.6	67.6	79.8	
			SHC	53.7	69.6	85.6	51.9	67.8	83.7	50.0	65.9	81.8	48.0	63.9	79.8	
	72	TC	89.4	89.4	89.4	84.7	84.7	84.7	79.7	79.7	79.7	74.4	74.4	74.4		
		SHC	37.9	53.8	69.6	36.2	52.0	67.9	34.3	50.2	66.1	32.4	48.3	64.2		
	76	TC	—	96.1	96.1	—	91.2	91.2	—	85.9	85.9	—	80.3	80.3		
		SHC	—	40.8	56.3	—	39.2	54.8	—	37.4	53.1	—	35.6	51.3		

NOTE(S):

a. See minimum-maximum airflow ratings on page 7.

LEGEND

- Do Not Operate
- Cfm — Cubic Feet Per Minute (Supply Air)
- EA (db) — Entering Air Temperature (dry bulb)
- EA (wb) — Entering Air Temperature (wet bulb)
- SHC — Sensible Heat Capacity (1000 Btuh) Gross
- TC — Total Capacity (1000 Btuh) Gross

50FCQM07 Low Stage Cooling Capacities^a

50FCQM07				AMBIENT TEMPERATURE (F)												
				85			95			105			115			
				EA (db)			EA (db)			EA (db)			EA (db)			
				75	80	85	75	80	85	75	80	85	75	80	85	
1500 Cfm	EA (wb)	58	TC	49.6	49.6	56.1	47.3	47.3	53.5	44.6	44.6	50.5	41.7	41.7	47.2	
			SHC	43.1	49.6	56.1	41.0	47.3	53.5	38.7	44.6	50.5	36.1	41.7	47.2	
		62	TC	50.8	50.8	56.3	47.8	47.8	54.8	45.2	45.2	51.4	41.7	41.7	49.2	
			SHC	40.2	48.3	56.3	38.6	46.7	54.8	36.3	43.9	51.4	34.3	41.7	49.2	
		67	TC	56.6	56.6	56.6	53.3	53.3	53.3	49.7	49.7	49.7	45.8	45.8	45.8	
			SHC	32.6	40.7	48.8	31.1	39.2	47.3	29.5	37.6	45.7	27.8	35.9	44.0	
	72	TC	61.9	61.9	61.9	59.2	59.2	59.2	55.7	55.7	55.7	51.5	51.5	51.5		
		SHC	24.4	32.1	39.7	23.3	31.2	39.1	21.9	29.9	37.9	20.2	28.2	36.3		
	76	TC	—	67.3	67.3	—	64.3	64.3	—	60.7	60.7	—	56.3	56.3		
		SHC	—	26.0	32.9	—	24.9	32.3	—	23.6	31.3	—	22.0	29.8		
	1750 Cfm	EA (wb)	58	TC	52.9	52.9	59.8	50.3	50.3	56.9	47.4	47.4	53.7	44.2	44.2	50.1
				SHC	45.9	52.9	59.8	43.6	50.3	56.9	41.1	47.4	53.7	38.3	44.2	50.1
62			TC	53.0	53.0	61.9	50.3	50.3	59.2	47.4	47.4	55.9	44.2	44.2	52.2	
			SHC	43.5	52.7	61.9	41.4	50.3	59.2	39.0	47.4	55.9	36.3	44.2	52.2	
67			TC	58.3	58.3	58.3	54.8	54.8	54.8	51.0	51.0	51.3	46.9	46.9	49.5	
			SHC	35.1	44.8	54.4	33.6	43.2	52.9	31.9	41.6	51.3	30.2	39.9	49.5	
72		TC	64.3	64.3	64.3	61.1	61.1	61.1	57.0	57.0	57.0	52.6	52.6	52.6		
		SHC	25.6	34.9	44.2	24.3	33.9	43.5	22.7	32.3	42.0	21.0	30.6	40.3		
76		TC	—	69.9	69.9	—	66.4	66.4	—	62.3	62.3	—	57.6	57.6		
		SHC	—	27.5	36.5	—	26.2	35.4	—	24.8	34.2	—	23.1	32.6		
2000 Cfm		EA (wb)	58	TC	55.3	55.3	62.6	52.5	52.5	59.5	49.4	49.4	56.0	46.0	46.0	52.3
				SHC	48.0	55.3	62.6	45.5	52.5	59.5	42.8	49.4	56.0	39.8	46.0	52.3
	62		TC	55.3	55.3	65.1	52.5	52.5	61.9	49.5	49.5	58.3	46.1	46.1	54.4	
			SHC	45.6	55.3	65.1	43.2	52.5	61.9	40.6	49.5	58.3	37.8	46.1	54.4	
	67		TC	59.2	59.2	59.7	55.6	55.6	58.2	51.7	51.7	56.5	47.4	47.4	54.7	
			SHC	37.3	48.5	59.7	35.8	47.0	58.2	34.1	45.3	56.5	32.3	43.5	54.7	
	72	TC	65.8	65.8	65.8	62.0	62.0	62.0	57.8	57.8	57.8	53.2	53.2	53.2		
		SHC	26.4	37.5	48.6	24.9	36.1	47.3	23.3	34.5	45.7	21.5	32.7	43.9		
	76	TC	—	71.4	71.4	—	67.5	67.5	—	63.0	63.0	—	58.2	58.2		
		SHC	—	28.5	39.2	—	27.2	38.2	—	25.7	36.6	—	24.0	35.0		
	2250 Cfm	EA (wb)	58	TC	57.1	57.1	64.7	54.1	54.1	61.4	50.8	50.8	57.7	47.3	47.3	53.8
				SHC	49.5	57.1	64.7	46.9	54.1	61.4	44.0	50.8	57.7	40.8	47.3	53.8
62			TC	57.1	57.1	67.3	54.2	54.2	63.8	50.9	50.9	60.1	47.3	47.3	56.0	
			SHC	47.0	57.1	67.3	44.5	54.2	63.8	41.7	50.9	60.1	38.7	47.3	56.0	
67			TC	59.7	59.7	64.7	56.0	56.0	63.1	51.9	51.9	61.4	47.6	47.6	59.4	
			SHC	39.2	52.0	64.7	37.7	50.4	63.1	35.9	48.7	61.4	34.1	46.8	59.4	
72		TC	66.4	66.4	66.4	62.4	62.4	62.4	58.0	58.0	58.0	53.3	53.3	53.3		
		SHC	26.9	39.5	52.2	25.3	38.0	50.7	23.6	36.4	49.1	21.9	34.6	47.3		
76		TC	—	72.1	72.1	—	68.0	68.0	—	63.3	63.3	—	58.4	58.4		
		SHC	—	29.3	41.6	—	27.9	40.4	—	26.3	38.8	—	24.6	37.2		
2500 Cfm		EA (wb)	58	TC	58.3	58.3	66.1	55.2	55.2	62.7	51.8	51.8	58.9	48.1	48.1	54.7
				SHC	50.4	58.3	66.1	47.7	55.2	62.7	44.7	51.8	58.9	41.4	48.1	54.7
	62		TC	58.3	58.3	68.8	55.2	55.2	65.2	51.8	51.8	61.3	48.1	48.1	57.0	
			SHC	47.8	58.3	68.8	45.2	55.2	65.2	42.3	51.8	61.3	39.2	48.1	57.0	
	67		TC	59.7	59.7	69.3	56.0	56.0	67.6	52.0	52.0	65.5	48.2	48.2	61.1	
			SHC	40.9	55.1	69.3	39.3	53.4	67.6	37.4	51.5	65.5	34.7	47.9	61.1	
	72	TC	66.4	66.4	66.4	62.3	62.3	62.3	57.8	57.8	57.8	53.0	53.0	53.0		
		SHC	27.0	41.2	55.4	25.4	39.7	53.9	23.8	38.0	52.2	22.0	36.2	50.5		
	76	TC	—	72.3	72.3	—	67.9	67.9	—	63.2	63.2	—	58.1	58.1		
		SHC	—	29.8	43.8	—	28.3	42.3	—	26.7	40.8	—	25.0	39.1		

NOTE(S):

a. See minimum-maximum airflow ratings on page 7.

LEGEND

—	Do Not Operate
Cfm	Cubic Feet Per Minute (Supply Air)
EA (db)	Entering Air Temperature (dry bulb)
EA (wb)	Entering Air Temperature (wet bulb)
SHC	Sensible Heat Capacity (1000 Btuh) Gross
TC	Total Capacity (1000 Btuh) Gross

50FCQA04 Heating Capacities

		50FCQA04 (3 Tons)									
Return Air (°F db)	CFM (Standard Air)	Temperature Air Entering Outdoor Coil (°F db at 70% rh)									
		-10	0	10	17	30	40	47	50	60	
55	900	Capacity	10.0	13.5	17.3	20.1	26.0	31.1	34.5	35.5	40.2
		Int. Cap.	9.2	12.5	15.9	18.4	22.8	31.1	34.5	35.5	40.2
	1200	Capacity	10.4	13.9	17.8	20.7	26.8	31.9	35.1	36.2	41.1
		Int. Cap.	9.6	12.8	16.3	18.9	23.5	31.9	35.1	36.2	41.1
	1500	Capacity	10.4	14.1	18.1	21.0	27.4	32.1	35.4	36.5	41.4
		Int. Cap.	9.6	13.0	16.6	19.1	24.0	32.1	35.4	36.5	41.4
70	900	Capacity	8.2	11.7	15.6	18.4	24.1	28.8	32.9	33.9	38.6
		Int. Cap.	7.6	10.8	14.3	16.8	21.1	28.8	32.9	33.9	38.6
	1200	Capacity	8.5	12.2	16.1	19.1	25.0	30.1	34.1	34.9	39.6
		Int. Cap.	7.9	11.2	14.8	17.4	21.9	30.1	34.1	34.9	39.6
	1500	Capacity	8.7	12.5	16.5	19.4	25.6	30.9	34.3	35.3	39.9
		Int. Cap.	8.1	11.5	15.1	17.7	22.4	30.9	34.3	35.3	39.9
80	900	Capacity	6.7	10.3	14.1	17.0	22.6	27.4	31.1	32.5	37.4
		Int. Cap.	6.2	9.5	13.0	15.5	19.8	27.4	31.1	32.5	37.4
	1200	Capacity	7.0	10.8	14.7	17.7	23.5	28.6	32.7	33.8	38.5
		Int. Cap.	6.5	9.9	13.5	16.1	20.6	28.6	32.7	33.8	38.5
	1500	Capacity	7.2	11.0	15.1	18.1	24.1	29.3	33.4	34.4	39.0
		Int. Cap.	6.7	10.2	13.9	16.5	21.1	29.3	33.4	34.4	39.0

LEGEND

— Indicates standard rating point

Capacity — Instantaneous Capacity (1000 Btuh) - includes indoor fan motor heat at AHRI static conditions

Int. Cap. — Integrated Capacity = instantaneous capacity minus the effects of frost on the OD coil and the heat required to defrost it

rh — Relative Humidity

db — Dry Bulb

50FCQC05 Heating Capacities — 1 Phase

		50FCQC05 (4 Tons)									
Return Air (°F db)	CFM (Standard Air)	Temperature Air Entering Outdoor Coil (°F db at 70% rh)									
		-10	0	10	17	30	40	47	50	60	
55	1200	Capacity	17.0	21.3	26.1	29.7	36.7	42.7	47.2	48.4	53.6
		Int. Cap.	15.7	19.6	24.0	27.1	32.2	42.7	47.2	48.4	53.6
	1600	Capacity	17.7	22.2	27.1	30.7	38.4	44.3	48.1	49.3	55.0
		Int. Cap.	16.4	20.5	24.9	28.0	33.6	44.3	48.1	49.3	55.0
	2000	Capacity	18.6	23.1	28.0	31.7	39.1	45.3	49.3	50.5	56.0
		Int. Cap.	17.2	21.2	25.7	28.9	34.3	45.3	49.3	50.5	56.0
70	1200	Capacity	14.3	18.9	23.8	27.4	34.5	40.1	44.9	46.6	51.8
		Int. Cap.	13.3	17.4	21.8	25.0	30.2	40.1	44.9	46.6	51.8
	1600	Capacity	15.1	19.8	24.8	28.5	35.7	41.8	46.6	48.1	52.9
		Int. Cap.	13.9	18.2	22.7	26.0	31.3	41.8	46.6	48.1	52.9
	2000	Capacity	15.9	20.7	25.8	29.5	36.9	43.2	47.9	49.3	54.2
		Int. Cap.	14.7	19.0	23.6	26.9	32.4	43.2	47.9	49.3	54.2
80	1200	Capacity	22.1	17.0	21.9	25.6	32.8	38.6	43.0	44.7	50.5
		Int. Cap.	20.4	15.7	20.1	23.3	28.8	38.6	43.0	44.7	50.5
	1600	Capacity	13.0	17.9	23.0	26.8	34.2	40.2	44.8	46.9	51.7
		Int. Cap.	12.1	16.4	21.1	24.4	30.0	40.2	44.8	46.9	51.7
	2000	Capacity	13.8	18.8	24.0	27.9	35.4	41.5	46.5	48.2	53.1
		Int. Cap.	12.8	17.3	22.0	25.4	31.0	41.5	46.5	48.2	53.1

LEGEND

— Indicates standard rating point

Capacity — Instantaneous Capacity (1000 Btuh) - includes indoor fan motor heat at AHRI static conditions

Int. Cap. — Integrated Capacity = instantaneous capacity minus the effects of frost on the OD coil and the heat required to defrost it

rh — Relative Humidity

db — Dry Bulb

50FCQA05 Heating Capacities — 3 Phase

		50FCQA05 (4 Tons)									
Return Air (°F db)	CFM (Standard Air)	Temperature Air Entering Outdoor Coil (°F db at 70% rh)									
		-10	0	10	17	30	40	47	50	60	
55	1200	Capacity	17.8	22.3	26.9	30.3	37.1	42.9	47.4	49.2	55.6
		Int. Cap.	16.4	20.5	24.7	27.6	32.5	42.9	47.4	49.2	55.6
	1600	Capacity	17.8	22.4	27.0	30.5	37.6	43.8	48.2	50.1	56.4
		Int. Cap.	16.4	20.6	24.8	27.8	33.0	43.8	48.2	50.1	56.4
	2000	Capacity	18.8	23.4	28.1	31.6	39.0	45.2	49.4	51.2	57.4
		Int. Cap.	17.3	21.5	25.8	28.9	34.1	45.2	49.4	51.2	57.4
70	1200	Capacity	16.1	20.6	25.3	28.6	35.3	40.8	45.0	47.0	53.3
		Int. Cap.	14.9	19.0	23.2	26.0	30.9	40.8	45.0	47.0	53.3
	1600	Capacity	16.2	20.8	25.6	29.0	35.9	41.6	46.1	48.1	54.2
		Int. Cap.	15.0	19.2	23.5	26.4	31.4	41.6	46.1	48.1	54.2
	2000	Capacity	17.3	22.0	26.8	30.2	37.2	43.2	47.6	49.4	55.5
		Int. Cap.	16.0	20.2	24.6	27.5	32.6	43.2	47.6	49.4	55.5
80	1200	Capacity	16.1	20.6	25.3	28.6	35.3	40.8	45.0	47.0	53.3
		Int. Cap.	14.9	19.0	23.2	26.0	30.9	40.8	45.0	47.0	53.3
	1600	Capacity	14.7	19.4	24.2	27.7	34.5	40.1	44.5	46.4	52.7
		Int. Cap.	13.6	17.9	22.2	25.3	30.3	40.1	44.5	46.4	52.7
	2000	Capacity	15.8	20.6	25.5	29.0	35.9	41.7	46.2	48.1	54.1
		Int. Cap.	14.6	19.0	23.4	26.4	31.5	41.7	46.2	48.1	54.1

LEGEND

- Indicates standard rating point
- Capacity** — Instantaneous Capacity (1000 Btuh) - includes indoor fan motor heat at AHRI static conditions
- Int. Cap.** — Integrated Capacity = instantaneous capacity minus the effects of frost on the OD coil and the heat required to defrost it
- rh** — Relative Humidity
- db** — Dry Bulb

50FCQA06 Heating Capacities

		50FCQA06 (5 Tons)									
Return Air (°F db)	CFM (Standard Air)	Temperature Air Entering Outdoor Coil (°F db at 70% rh)									
		-10	0	10	17	30	40	47	50	60	
55	1500	Capacity	—	26.7	32.6	37.0	45.8	52.7	58.4	61.0	68.7
		Int. Cap.	—	24.6	30.0	33.7	40.1	52.7	58.4	61.0	68.7
	2000	Capacity	—	26.9	32.8	37.3	46.3	53.7	59.3	61.5	69.3
		Int. Cap.	—	24.8	30.1	34.0	40.6	53.7	59.3	61.5	69.3
	2500	Capacity	—	28.4	34.3	38.8	48.0	55.3	60.7	62.8	70.4
		Int. Cap.	—	26.1	31.5	35.4	42.1	55.3	60.7	62.8	70.4
70	1500	Capacity	18.3	24.2	30.3	34.7	43.6	50.1	56.0	58.4	66.3
		Int. Cap.	16.9	22.3	27.8	31.7	38.2	50.1	56.0	58.4	66.3
	2000	Capacity	18.5	24.5	30.7	35.1	44.2	51.3	56.8	59.4	67.2
		Int. Cap.	17.1	22.5	28.1	32.0	38.7	51.3	56.8	59.4	67.2
	2500	Capacity	19.9	26.0	32.2	36.7	45.9	53.1	58.8	61.1	68.6
		Int. Cap.	18.4	23.9	29.6	33.5	40.2	53.1	58.8	61.1	68.6
80	1500	Capacity	16.0	22.1	28.4	33.0	41.9	48.6	54.1	56.6	64.5
		Int. Cap.	14.8	20.4	26.1	30.0	36.7	48.6	54.1	56.6	64.5
	2000	Capacity	16.2	22.5	28.9	33.5	42.7	49.6	55.0	57.8	65.6
		Int. Cap.	15.0	20.7	26.5	30.5	37.4	49.6	55.0	57.8	65.6
	2500	Capacity	17.7	24.0	30.5	35.2	44.4	51.5	57.2	59.5	67.2
		Int. Cap.	16.3	22.1	28.0	32.1	38.9	51.5	57.2	59.5	67.2

LEGEND

- Indicates standard rating point
- — Indicates operation not permissible
- Capacity** — Instantaneous Capacity (1000 Btuh) - includes indoor fan motor heat at AHRI static conditions
- Int. Cap.** — Integrated Capacity = instantaneous capacity minus the effects of frost on the OD coil and the heat required to defrost it
- rh** — Relative Humidity
- db** — Dry Bulb

50FCQM07 Heating Capacities

		50FCQM07 (6 Tons)									
Return Air (°F db)	CFM (Standard Air)	Temperature Air Entering Outdoor Coil (°F db at 70% rh)									
		-10	0	10	17	30	40	47	50	60	
55	1800	Capacity	20.9	28.1	35.9	40.7	50.1	59.7	66.0	68.6	77.7
		Int. Cap.	19.3	25.9	33.0	37.1	43.9	59.7	66.0	68.6	77.7
	2400	Capacity	22.4	29.8	37.3	42.8	52.6	62.2	68.5	71.2	80.4
		Int. Cap.	20.7	27.4	34.3	39.0	46.1	62.2	68.5	71.2	80.4
	3000	Capacity	25.2	31.5	39.0	44.6	55.1	64.3	70.3	72.9	81.7
		Int. Cap.	23.3	28.9	35.8	40.7	48.3	64.3	70.3	72.9	81.7
70	1800	Capacity	16.0	23.5	31.1	36.5	45.6	54.7	62.0	64.7	73.6
		Int. Cap.	14.8	21.6	28.5	33.3	40.0	54.7	62.0	64.7	73.6
	2400	Capacity	17.6	25.4	33.2	38.7	48.4	58.2	65.1	67.7	76.7
		Int. Cap.	16.3	23.4	30.5	35.3	42.4	58.2	65.1	67.7	76.7
	3000	Capacity	19.2	27.2	35.1	40.7	50.7	61.0	67.2	69.8	78.7
		Int. Cap.	17.7	25.0	32.3	37.1	44.4	61.0	67.2	69.8	78.7
80	1800	Capacity	12.2	19.8	27.6	33.1	42.1	51.0	58.0	61.3	70.5
		Int. Cap.	11.2	18.2	25.3	30.1	36.9	51.0	58.0	61.3	70.5
	2400	Capacity	13.6	21.7	29.8	35.5	45.1	54.5	62.2	65.0	73.9
		Int. Cap.	12.6	20.0	27.3	32.3	39.5	54.5	62.2	65.0	73.9
	3000	Capacity	15.3	23.5	31.8	37.6	47.5	57.3	64.8	67.4	76.2
		Int. Cap.	14.1	21.7	29.2	34.3	41.6	57.3	64.8	67.4	76.2

LEGEND

— Indicates standard rating point

Capacity — Instantaneous Capacity (1000 Btuh) - includes indoor fan motor heat at AHRI static conditions

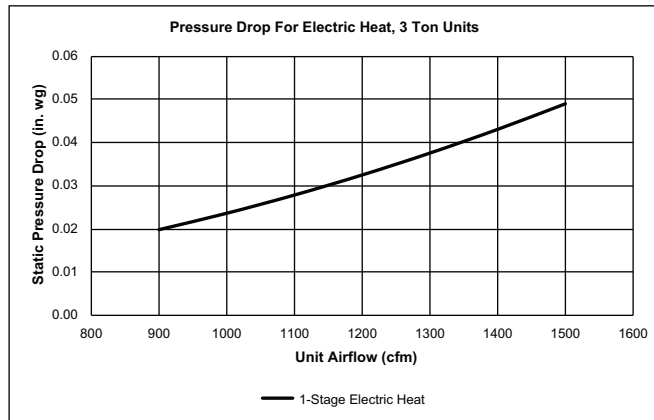
Int. Cap. — Integrated Capacity = instantaneous capacity minus the effects of frost on the OD coil and the heat required to defrost it

rh — Relative Humidity

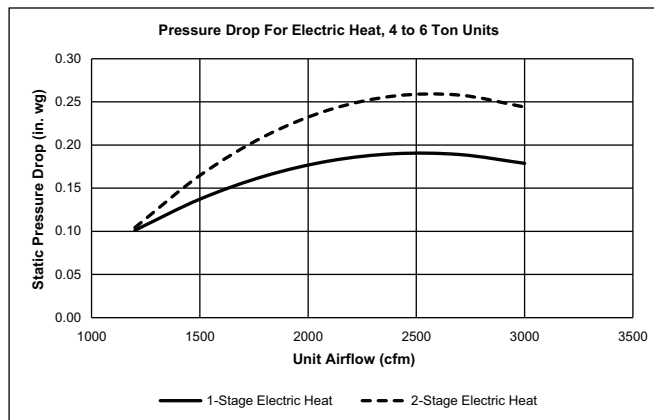
db — Dry Bulb

Pressure Drops for Electric Heating Units

Pressure Drop for Electric Heat 3 to 5 Ton Units — 1 stage heat



Pressure Drop for Electric Heat 4 to 6 Ton Units — 1 and 2 Stage Heat



Field-Installed Accessory Electric Heater Data

50FCQ UNIT SIZE	VOLTAGE	HEATER MODEL NUMBER ^a	NUMBER OF STAGES		
04	208/230	CRHEATER323A00	1		
		CRHEATER324A00	1		
		CRHEATER325A00	1		
		CRHEATER326A00	1		
		CRHEATER327A00	2		
		CRHEATER328A00	1		
	460	CRHEATER333A00	1		
		CRHEATER334A00	1		
		CRHEATER335A00	1		
		CRHEATER336A00	1		
	575	CRHEATER339A00	1		
		CRHEATER340A00	1		
05	208/230	CRHEATER323A00	1		
		CRHEATER324A00	1		
		CRHEATER325A00	1		
		CRHEATER326A00	1		
		CRHEATER327A00	2		
		CRHEATER328A00	1		
		CRHEATER329A00	2		
		CRHEATER330A00 ^b	2		
		CRHEATER331A00 ^c	2		
	460	CRHEATER333A00	1		
		CRHEATER335A00	1		
		CRHEATER336A00	1		
	575	CRHEATER337A00	2		
		CRHEATER339A00	1		
		CRHEATER340A00	1		
		06, 07	208/230	CRHEATER324A00	1
				CRHEATER325A00	1
				CRHEATER326A00	1
CRHEATER327A00	2				
CRHEATER328A00	1				
CRHEATER329A00	2				
460	CRHEATER331A00		2		
	CRHEATER332A00		2		
	CRHEATER333A00		1		
	CRHEATER335A00		1		
	CRHEATER336A00		1		
	CRHEATER337A00		2		
575	CRHEATER338A00	2			
	CRHEATER340A00	1			
		CRHEATER341A00	2		

NOTE(S):

- a. Check heater nameplate for model number.
- b. Do not use with size 05 horizontal supply duct configuration units.
- c. Do not use with size 05 vertical supply duct configuration units.

Use of CRHEATER330A00 for 50FCQ Units (With or Without Non-Fused Disconnect)

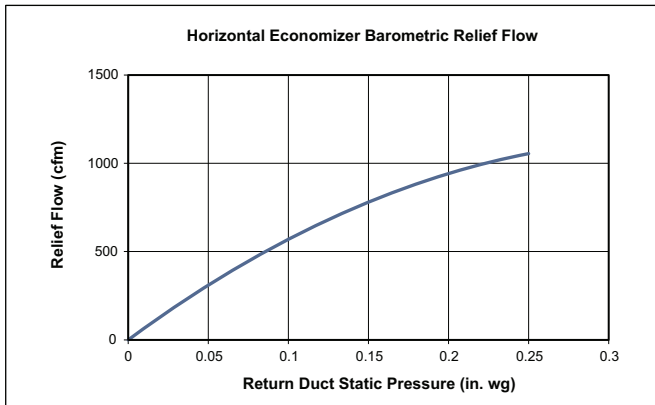
DUCT CONFIGURATION	50FCQ UNIT SIZE			
	04	05	06	07
Vertical Supply	Not available	Available	Not available	Not available
Horizontal Supply	Not available	Not available	Not available	Not available

Use of CRHEATER331A00 for 50FCQ Units (With or Without Non-Fused Disconnect)

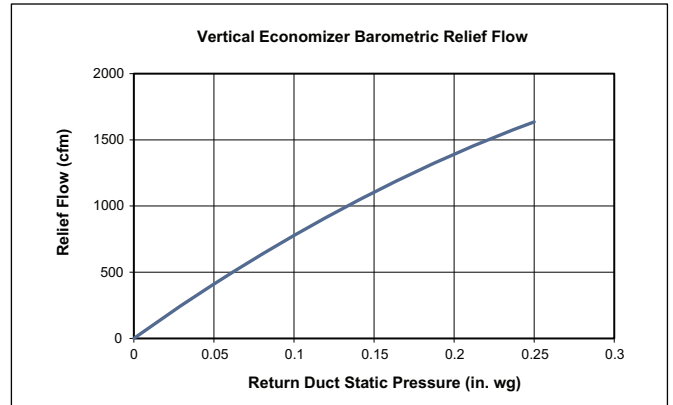
DUCT CONFIGURATION	50FCQ UNIT SIZE			
	04	05	06	07
Vertical Supply	Not available	Not available	Available	Available
Horizontal Supply	Not available	Available	Available	Available

Economizer Barometric Relief and Static Pressure

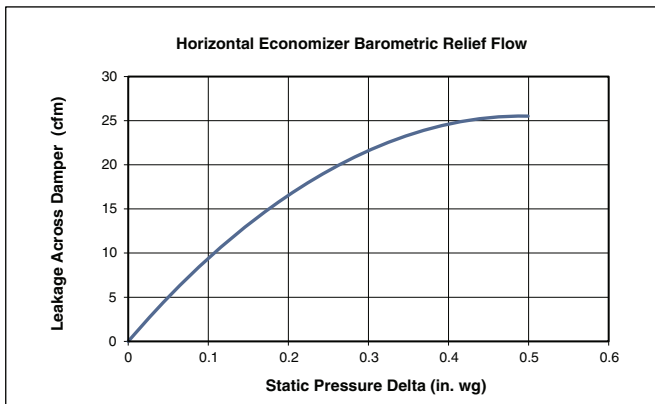
Horizontal Economizer Barometric Relief



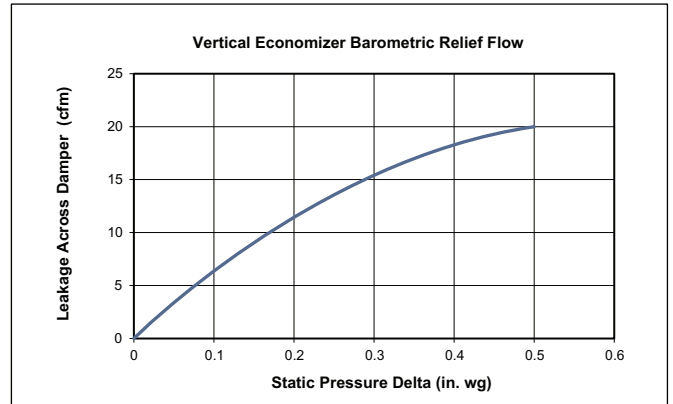
Vertical Economizer Barometric Relief



Horizontal Economizer Damper Leakage



Vertical Economizer Damper Leakage



MERV-8 filters pressure drop

NOTE: For factory-installed MERV-8 filters, no additional pressure drop adjustments are necessary. The standard fan tables accommodate usage.

General Fan Performance Notes

1. Interpolation is permissible. Do not extrapolate.
2. External static pressure is the static pressure difference between the return duct and the supply duct plus the static pressure caused by any FIOPs or accessories.
3. Tabular data accounts for pressure loss due to clean filters, unit casing, and wet coils.
4. Factory options and accessories may effect static pressure losses. Selection software is available, through your salesperson, to help you select the best motor/drive combination for your application.
5. The fan performance tables offer motor/drive recommendations. In cases when two motor/drive combinations would work, Carrier recommends the lower horsepower option.
6. For information on the electrical properties of Carrier motors, please see the Electrical Data section of this book.
7. For more information on the performance limits of Carrier motors, see the application data section of this book.
8. The EPACT (Energy Policy Act of 1992) regulates energy requirements for specific types of indoor fan motors. Motors regulated by EPACT include any general purpose, T-frame (three-digit, 143 and larger), single-speed, foot mounted, polyphase, squirrel cage induction motors of NEMA (National Electrical Manufacturers Association) design A and B, manufactured for use in the United States. Ranging from 1 to 200 hp, these continuous-duty motors operate on 230 and 460 volt, 60 Hz power. If a motor does not fit into these specifications, the motor does not have to be replaced by an EPACT compliant energy-efficient motor. Variable-speed motors are exempt from EPACT compliance requirements.

50FCQA04 Single Phase — 3 Ton Vertical Supply (rpm - bhp)

CFM	AVAILABLE EXTERNAL STATIC PRESSURE (in. wg)									
	0.2		0.4		0.6		0.8		1.0	
	rpm	bhp	rpm	bhp	rpm	bhp	rpm	bhp	rpm	bhp
900	1060	0.08	1325	0.16	1541	0.25	1718	0.35	1871	0.46
975	1103	0.09	1355	0.17	1572	0.27	1752	0.37	1906	0.48
1050	1150	0.11	1387	0.19	1602	0.29	1784	0.40	1941	0.51
1125	1198	0.12	1422	0.20	1632	0.30	1815	0.42	1974	0.54
1200	1249	0.14	1459	0.22	1662	0.32	1845	0.44	2005	0.56
1275	1303	0.15	1499	0.23	1694	0.34	1874	0.46	2036	0.59
1350	1357	0.17	1542	0.26	1728	0.36	1905	0.48	2066	0.61
1425	1413	0.20	1587	0.28	1765	0.38	1936	0.51	2095	0.64
1500	1469	0.22	1635	0.30	1803	0.41	1969	0.53	2126	0.67

CFM	AVAILABLE EXTERNAL STATIC PRESSURE (in. wg)									
	1.2		1.4		1.6		1.8		2.0	
	rpm	bhp	rpm	bhp	rpm	bhp	rpm	bhp	rpm	bhp
900	2006	0.56	2130	0.67	2244	0.79	2352	0.91	2453	1.03
975	2044	0.59	2168	0.71	2283	0.83	2391	0.95	—	—
1050	2080	0.63	2206	0.75	2322	0.87	2430	1.00	—	—
1125	2115	0.66	2242	0.78	2359	0.91	2468	1.05	—	—
1200	2148	0.69	2277	0.82	2396	0.96	—	—	—	—
1275	2180	0.72	2311	0.86	2431	1.00	—	—	—	—
1350	2211	0.75	2343	0.90	2465	1.04	—	—	—	—
1425	2241	0.78	2375	0.93	—	—	—	—	—	—
1500	2271	0.82	2405	0.97	—	—	—	—	—	—

Standard Static 1060-1890 rpm, 0.44 max bhp

Medium Static 1060-2190 rpm, 0.71 max bhp

High Static 1060-2490 rpm, 1.07 max bhp

50FCQA04 Single Phase — Standard Static — 3 Ton Vertical Supply (rpm - vdc)

CFM	AVAILABLE EXTERNAL STATIC PRESSURE (in. wg)									
	0.2		0.4		0.6		0.8		1.0	
	rpm	vdc	rpm	vdc	rpm	vdc	rpm	vdc	rpm	vdc
900	1060	5.6	1325	7.0	1541	8.2	1718	9.1	1871	9.9
975	1103	5.8	1355	7.2	1572	8.3	1752	9.3	—	—
1050	1150	6.1	1387	7.3	1602	8.5	1784	9.4	—	—
1125	1198	6.3	1422	7.5	1632	8.6	1815	9.6	—	—
1200	1249	6.6	1459	7.7	1662	8.8	1845	9.8	—	—
1275	1303	6.9	1499	7.9	1694	9.0	1874	9.9	—	—
1350	1357	7.2	1542	8.2	1728	9.1	—	—	—	—
1425	1413	7.5	1587	8.4	1765	9.3	—	—	—	—
1500	1469	7.8	1635	8.7	1803	9.5	—	—	—	—

CFM	AVAILABLE EXTERNAL STATIC PRESSURE (in. wg)									
	1.2		1.4		1.6		1.8		2.0	
	rpm	vdc	rpm	vdc	rpm	vdc	rpm	vdc	rpm	vdc
900	—	—	—	—	—	—	—	—	—	—
975	—	—	—	—	—	—	—	—	—	—
1050	—	—	—	—	—	—	—	—	—	—
1125	—	—	—	—	—	—	—	—	—	—
1200	—	—	—	—	—	—	—	—	—	—
1275	—	—	—	—	—	—	—	—	—	—
1350	—	—	—	—	—	—	—	—	—	—
1425	—	—	—	—	—	—	—	—	—	—
1500	—	—	—	—	—	—	—	—	—	—

Standard Static 1060-1890 rpm

50FCQA04 Single Phase — Medium Static — 3 Ton Vertical Supply (rpm - vdc)

CFM	AVAILABLE EXTERNAL STATIC PRESSURE (in. wg)									
	0.2		0.4		0.6		0.8		1.0	
	rpm	vdc	rpm	vdc	rpm	vdc	rpm	vdc	rpm	vdc
900	1060	4.8	1325	6.1	1541	7.0	1718	7.8	1871	8.5
975	1103	5.0	1355	6.2	1572	7.2	1752	8.0	1906	8.7
1050	1150	5.3	1387	6.3	1602	7.3	1784	8.1	1941	8.9
1125	1198	5.5	1422	6.5	1632	7.5	1815	8.3	1974	9.0
1200	1249	5.7	1459	6.7	1662	7.6	1845	8.4	2005	9.2
1275	1303	5.9	1499	6.8	1694	7.7	1874	8.6	2036	9.3
1350	1357	6.2	1542	7.0	1728	7.9	1905	8.7	2066	9.4
1425	1413	6.5	1587	7.2	1765	8.1	1936	8.8	2095	9.6
1500	1469	6.7	1635	7.5	1803	8.2	1969	9.0	2126	9.7

CFM	AVAILABLE EXTERNAL STATIC PRESSURE (in. wg)									
	1.2		1.4		1.6		1.8		2.0	
	rpm	vdc	rpm	vdc	rpm	vdc	rpm	vdc	rpm	vdc
900	2006	9.2	2130	9.7	—	—	—	—	—	—
975	2044	9.3	2168	9.9	—	—	—	—	—	—
1050	2080	9.5	—	—	—	—	—	—	—	—
1125	2115	9.7	—	—	—	—	—	—	—	—
1200	2148	9.8	—	—	—	—	—	—	—	—
1275	2180	10.0	—	—	—	—	—	—	—	—
1350	—	—	—	—	—	—	—	—	—	—
1425	—	—	—	—	—	—	—	—	—	—
1500	—	—	—	—	—	—	—	—	—	—

Medium Static 1060-2190 rpm

50FCQA04 Single Phase — High Static — 3 Ton Vertical Supply (rpm - vdc)

CFM	AVAILABLE EXTERNAL STATIC PRESSURE (in. wg)									
	0.2		0.4		0.6		0.8		1.0	
	rpm	vdc	rpm	vdc	rpm	vdc	rpm	vdc	rpm	vdc
900	1060	4.3	1325	5.3	1541	6.2	1718	6.9	1871	7.5
975	1103	4.4	1355	5.4	1572	6.3	1752	7.0	1906	7.7
1050	1150	4.6	1387	5.6	1602	6.4	1784	7.2	1941	7.8
1125	1198	4.8	1422	5.7	1632	6.6	1815	7.3	1974	7.9
1200	1249	5.0	1459	5.9	1662	6.7	1845	7.4	2005	8.1
1275	1303	5.2	1499	6.0	1694	6.8	1874	7.5	2036	8.2
1350	1357	5.4	1542	6.2	1728	6.9	1905	7.7	2066	8.3
1425	1413	5.7	1587	6.4	1765	7.1	1936	7.8	2095	8.4
1500	1469	5.9	1635	6.6	1803	7.2	1969	7.9	2126	8.5

CFM	AVAILABLE EXTERNAL STATIC PRESSURE (in. wg)									
	1.2		1.4		1.6		1.8		2.0	
	rpm	vdc	rpm	vdc	rpm	vdc	rpm	vdc	rpm	vdc
900	2006	8.1	2130	8.6	2244	9.0	2352	9.4	2453	9.9
975	2044	8.2	2168	8.7	2283	9.2	2391	9.6	—	—
1050	2080	8.4	2206	8.9	2322	9.3	2430	9.8	—	—
1125	2115	8.5	2242	9.0	2359	9.5	2468	9.9	—	—
1200	2148	8.6	2277	9.1	2396	9.6	—	—	—	—
1275	2180	8.8	2311	9.3	2431	9.8	—	—	—	—
1350	2211	8.9	2343	9.4	2465	9.9	—	—	—	—
1425	2241	9.0	2375	9.5	—	—	—	—	—	—
1500	2271	9.1	2405	9.7	—	—	—	—	—	—

High Static 1060-2490 rpm

50FCQA04 Three Phase — 3 Ton Vertical Supply (rpm - bhp)

CFM	AVAILABLE EXTERNAL STATIC PRESSURE (in. wg)									
	0.2		0.4		0.6		0.8		1.0	
	rpm	bhp	rpm	bhp	rpm	bhp	rpm	bhp	rpm	bhp
900	1060	0.08	1325	0.16	1541	0.25	1718	0.35	1871	0.46
975	1103	0.09	1355	0.17	1572	0.27	1752	0.37	1906	0.48
1050	1150	0.11	1387	0.19	1602	0.29	1784	0.40	1941	0.51
1125	1198	0.12	1422	0.20	1632	0.30	1815	0.42	1974	0.54
1200	1249	0.14	1460	0.22	1662	0.32	1845	0.44	2005	0.56
1275	1303	0.15	1499	0.23	1694	0.34	1874	0.46	2036	0.59
1350	1357	0.17	1542	0.26	1728	0.36	1905	0.48	2066	0.61
1425	1413	0.20	1587	0.28	1765	0.38	1936	0.51	2095	0.64
1500	1469	0.22	1635	0.30	1803	0.41	1969	0.53	2126	0.67

CFM	AVAILABLE EXTERNAL STATIC PRESSURE (in. wg)									
	1.2		1.4		1.6		1.8		2.0	
	rpm	bhp	rpm	bhp	rpm	bhp	rpm	bhp	rpm	bhp
900	2006	0.56	2130	0.67	2245	0.79	2352	0.91	2454	1.03
975	2044	0.59	2169	0.71	2284	0.83	2391	0.95	—	—
1050	2080	0.63	2206	0.75	2322	0.87	2430	1.00	—	—
1125	2115	0.66	2242	0.78	2360	0.92	2469	1.05	—	—
1200	2148	0.69	2277	0.82	2396	0.96	—	—	—	—
1275	2180	0.72	2311	0.86	2431	1.00	—	—	—	—
1350	2211	0.75	2343	0.90	2465	1.04	—	—	—	—
1425	2241	0.78	2375	0.93	—	—	—	—	—	—
1500	2271	0.82	2405	0.97	—	—	—	—	—	—

Standard Static 1060-1890 rpm, 0.44 max bhp

Medium Static 1060-2190 rpm, 0.71 max bhp

High Static 1060-2490 rpm, 1.07 max bhp

50FCQA04 Three Phase — Standard Static — 3 Ton Vertical Supply (rpm - vdc)

CFM	AVAILABLE EXTERNAL STATIC PRESSURE (in. wg)									
	0.2		0.4		0.6		0.8		1.0	
	rpm	vdc	rpm	vdc	rpm	vdc	rpm	vdc	rpm	vdc
900	1060	5.6	1325	7.0	1541	8.2	1718	9.1	1871	9.9
975	1103	5.8	1355	7.2	1572	8.3	1752	9.3	—	—
1050	1150	6.1	1387	7.3	1602	8.5	1784	9.4	—	—
1125	1198	6.3	1422	7.5	1632	8.6	1815	9.6	—	—
1200	1249	6.6	1460	7.7	1662	8.8	1845	9.8	—	—
1275	1303	6.9	1499	7.9	1694	9.0	1874	9.9	—	—
1350	1357	7.2	1542	8.2	1728	9.1	—	—	—	—
1425	1413	7.5	1587	8.4	1765	9.3	—	—	—	—
1500	1469	7.8	1635	8.7	1803	9.5	—	—	—	—

CFM	AVAILABLE EXTERNAL STATIC PRESSURE (in. wg)									
	1.2		1.4		1.6		1.8		2.0	
	rpm	vdc	rpm	vdc	rpm	vdc	rpm	vdc	rpm	vdc
900	—	—	—	—	—	—	—	—	—	—
975	—	—	—	—	—	—	—	—	—	—
1050	—	—	—	—	—	—	—	—	—	—
1125	—	—	—	—	—	—	—	—	—	—
1200	—	—	—	—	—	—	—	—	—	—
1275	—	—	—	—	—	—	—	—	—	—
1350	—	—	—	—	—	—	—	—	—	—
1425	—	—	—	—	—	—	—	—	—	—
1500	—	—	—	—	—	—	—	—	—	—

Standard Static 1060-1890 rpm

50FCQA04 Three Phase — Medium Static — 3 Ton Vertical Supply (rpm - vdc)

CFM	AVAILABLE EXTERNAL STATIC PRESSURE (in. wg)									
	0.2		0.4		0.6		0.8		1.0	
	rpm	vdc	rpm	vdc	rpm	vdc	rpm	vdc	rpm	vdc
900	1060	4.8	1325	6.1	1541	7.0	1718	7.8	1871	8.5
975	1103	5.0	1355	6.2	1572	7.2	1752	8.0	1906	8.7
1050	1150	5.3	1387	6.3	1602	7.3	1784	8.1	1941	8.9
1125	1198	5.5	1422	6.5	1632	7.5	1815	8.3	1974	9.0
1200	1249	5.7	1460	6.7	1662	7.6	1845	8.4	2005	9.2
1275	1303	5.9	1499	6.8	1694	7.7	1874	8.6	2036	9.3
1350	1357	6.2	1542	7.0	1728	7.9	1905	8.7	2066	9.4
1425	1413	6.5	1587	7.2	1765	8.1	1936	8.8	2095	9.6
1500	1469	6.7	1635	7.5	1803	8.2	1969	9.0	2126	9.7

CFM	AVAILABLE EXTERNAL STATIC PRESSURE (in. wg)									
	1.2		1.4		1.6		1.8		2.0	
	rpm	vdc	rpm	vdc	rpm	vdc	rpm	vdc	rpm	vdc
900	2006	9.2	2130	9.7	—	—	—	—	—	—
975	2044	9.3	2169	9.9	—	—	—	—	—	—
1050	2080	9.5	—	—	—	—	—	—	—	—
1125	2115	9.7	—	—	—	—	—	—	—	—
1200	2148	9.8	—	—	—	—	—	—	—	—
1275	2180	10.0	—	—	—	—	—	—	—	—
1350	—	—	—	—	—	—	—	—	—	—
1425	—	—	—	—	—	—	—	—	—	—
1500	—	—	—	—	—	—	—	—	—	—

Medium Static 1060-2190 rpm

50FCQA04 Three Phase — High Static — 3 Ton Vertical Supply (rpm - vdc)

CFM	AVAILABLE EXTERNAL STATIC PRESSURE (in. wg)									
	0.2		0.4		0.6		0.8		1.0	
	rpm	vdc	rpm	vdc	rpm	vdc	rpm	vdc	rpm	vdc
900	1060	4.3	1325	5.3	1541	6.2	1718	6.9	1871	7.5
975	1103	4.4	1355	5.4	1572	6.3	1752	7.0	1906	7.7
1050	1150	4.6	1387	5.6	1602	6.4	1784	7.2	1941	7.8
1125	1198	4.8	1422	5.7	1632	6.6	1815	7.3	1974	7.9
1200	1249	5.0	1460	5.9	1662	6.7	1845	7.4	2005	8.1
1275	1303	5.2	1499	6.0	1694	6.8	1874	7.5	2036	8.2
1350	1357	5.4	1542	6.2	1728	6.9	1905	7.7	2066	8.3
1425	1413	5.7	1587	6.4	1765	7.1	1936	7.8	2095	8.4
1500	1469	5.9	1635	6.6	1803	7.2	1969	7.9	2126	8.5

CFM	AVAILABLE EXTERNAL STATIC PRESSURE (in. wg)									
	1.2		1.4		1.6		1.8		2.0	
	rpm	vdc	rpm	vdc	rpm	vdc	rpm	vdc	rpm	vdc
900	2006	8.1	2130	8.6	2245	9.0	2352	9.4	2454	9.9
975	2044	8.2	2169	8.7	2284	9.2	2391	9.6	—	—
1050	2080	8.4	2206	8.9	2322	9.3	2430	9.8	—	—
1125	2115	8.5	2242	9.0	2360	9.5	2469	9.9	—	—
1200	2148	8.6	2277	9.1	2396	9.6	—	—	—	—
1275	2180	8.8	2311	9.3	2431	9.8	—	—	—	—
1350	2211	8.9	2343	9.4	2465	9.9	—	—	—	—
1425	2241	9.0	2375	9.5	—	—	—	—	—	—
1500	2271	9.1	2405	9.7	—	—	—	—	—	—

High Static 1060-2490 rpm

50FCQC05 Single Phase — 4 Ton Vertical Supply (rpm - bhp)

CFM	AVAILABLE EXTERNAL STATIC PRESSURE (in. wg)									
	0.2		0.4		0.6		0.8		1.0	
	rpm	bhp	rpm	bhp	rpm	bhp	rpm	bhp	rpm	bhp
1200	1095	0.14	1302	0.24	1484	0.35	1646	0.48	1794	0.63
1300	1151	0.16	1347	0.26	1523	0.38	1681	0.51	1826	0.66
1400	1209	0.19	1395	0.29	1565	0.41	1719	0.55	1860	0.69
1500	1269	0.22	1444	0.32	1608	0.45	1758	0.58	1897	0.73
1600	1331	0.25	1496	0.36	1654	0.48	1800	0.62	1935	0.78
1700	1396	0.29	1550	0.40	1701	0.53	1843	0.67	1975	0.82
1800	1462	0.33	1605	0.44	1750	0.57	1888	0.72	2017	0.87
1900	1528	0.38	1663	0.49	1801	0.62	1934	0.77	2060	0.93
2000	1596	0.43	1722	0.54	1854	0.68	1982	0.83	2105	0.99

CFM	AVAILABLE EXTERNAL STATIC PRESSURE (in. wg)									
	1.2		1.4		1.6		1.8		2.0	
	rpm	bhp	rpm	bhp	rpm	bhp	rpm	bhp	rpm	bhp
1200	1931	0.78	2058	0.95	2177	1.12	2288	1.30	2394	1.49
1300	1961	0.82	2086	0.98	2205	1.16	2316	1.34	2422	1.54
1400	1993	0.85	2116	1.02	2233	1.20	2344	1.39	2450	1.58
1500	2026	0.89	2148	1.06	2264	1.25	2373	1.44	—	—
1600	2062	0.94	2181	1.11	2296	1.30	2404	1.49	—	—
1700	2099	0.99	2217	1.16	2328	1.35	2435	1.54	—	—
1800	2138	1.04	2254	1.22	2363	1.41	—	—	—	—
1900	2179	1.10	2292	1.28	2400	1.47	—	—	—	—
2000	2221	1.16	2332	1.34	2438	1.54	—	—	—	—

- Standard Static 1095-1900 rpm, 0.72 max bhp
- Medium Static 1095-2170 rpm, 1.06 max bhp
- High Static 1095-2460 rpm, 1.53 max bhp

50FCQC05 Single Phase — Standard Static — 4 Ton Vertical Supply (rpm - vdc)

CFM	AVAILABLE EXTERNAL STATIC PRESSURE (in. wg)									
	0.2		0.4		0.6		0.8		1.0	
	rpm	vdc	rpm	vdc	rpm	vdc	rpm	vdc	rpm	vdc
1200	1094	5.8	1302	6.9	1484	7.8	1646	8.7	1794	9.4
1300	1150	6.1	1347	7.1	1523	8.0	1681	8.8	1826	9.6
1400	1209	6.4	1395	7.3	1565	8.2	1719	9.0	1860	9.8
1500	1269	6.7	1444	7.6	1608	8.5	1758	9.3	1897	10.0
1600	1332	7.0	1496	7.9	1654	8.7	1800	9.5	—	—
1700	1396	7.3	1549	8.2	1701	9.0	1843	9.7	—	—
1800	1461	7.7	1605	8.4	1750	9.2	1888	9.9	—	—
1900	1528	8.0	1662	8.7	1801	9.5	—	—	—	—
2000	1596	8.4	1721	9.1	1853	9.8	—	—	—	—

CFM	AVAILABLE EXTERNAL STATIC PRESSURE (in. wg)									
	1.2		1.4		1.6		1.8		2.0	
	rpm	vdc	rpm	vdc	rpm	vdc	rpm	vdc	rpm	vdc
1200	—	—	—	—	—	—	—	—	—	—
1300	—	—	—	—	—	—	—	—	—	—
1400	—	—	—	—	—	—	—	—	—	—
1500	—	—	—	—	—	—	—	—	—	—
1600	—	—	—	—	—	—	—	—	—	—
1700	—	—	—	—	—	—	—	—	—	—
1800	—	—	—	—	—	—	—	—	—	—
1900	—	—	—	—	—	—	—	—	—	—
2000	—	—	—	—	—	—	—	—	—	—

- Standard Static 1094-1900 rpm

50FCQC05 Single Phase — Medium Static — 4 Ton Vertical Supply (rpm - vdc)

CFM	AVAILABLE EXTERNAL STATIC PRESSURE (in. wg)									
	0.2		0.4		0.6		0.8		1.0	
	rpm	vdc	rpm	vdc	rpm	vdc	rpm	vdc	rpm	vdc
1200	1094	5.0	1302	6.0	1484	6.8	1646	7.6	1794	8.3
1300	1150	5.3	1347	6.2	1523	7.0	1681	7.7	1826	8.4
1400	1209	5.6	1395	6.4	1565	7.2	1719	7.9	1860	8.6
1500	1269	5.8	1444	6.7	1608	7.4	1758	8.1	1897	8.7
1600	1332	6.1	1496	6.9	1654	7.6	1800	8.3	1935	8.9
1700	1396	6.4	1549	7.1	1701	7.8	1843	8.5	1975	9.1
1800	1461	6.7	1605	7.4	1750	8.1	1888	8.7	2017	9.3
1900	1528	7.0	1662	7.7	1801	8.3	1934	8.9	2060	9.5
2000	1596	7.4	1721	7.9	1853	8.5	1982	9.1	2105	9.7

CFM	AVAILABLE EXTERNAL STATIC PRESSURE (in. wg)									
	1.2		1.4		1.6		1.8		2.0	
	rpm	vdc	rpm	vdc	rpm	vdc	rpm	vdc	rpm	vdc
1200	1930	8.9	2058	9.5	—	—	—	—	—	—
1300	1960	9.0	2086	9.6	—	—	—	—	—	—
1400	1992	9.2	2116	9.8	—	—	—	—	—	—
1500	2026	9.3	2148	9.9	—	—	—	—	—	—
1600	2062	9.5	—	—	—	—	—	—	—	—
1700	2099	9.7	—	—	—	—	—	—	—	—
1800	2138	9.9	—	—	—	—	—	—	—	—
1900	—	—	—	—	—	—	—	—	—	—
2000	—	—	—	—	—	—	—	—	—	—

Medium Static 1094-2170 rpm

50FCQC05 Single Phase — High Static — 4 Ton Vertical Supply (rpm - vdc)

CFM	AVAILABLE EXTERNAL STATIC PRESSURE (in. wg)									
	0.2		0.4		0.6		0.8		1.0	
	rpm	vdc	rpm	vdc	rpm	vdc	rpm	vdc	rpm	vdc
1200	1094	4.4	1302	5.3	1484	6.0	1646	6.7	1794	7.3
1300	1150	4.7	1347	5.5	1523	6.2	1681	6.8	1826	7.4
1400	1209	4.9	1395	5.7	1565	6.4	1719	7.0	1860	7.6
1500	1269	5.2	1444	5.9	1608	6.5	1758	7.1	1897	7.7
1600	1332	5.4	1496	6.1	1654	6.7	1800	7.3	1935	7.9
1700	1396	5.7	1549	6.3	1701	6.9	1843	7.5	1975	8.0
1800	1461	5.9	1605	6.5	1750	7.1	1888	7.7	2017	8.2
1900	1528	6.2	1662	6.8	1801	7.3	1934	7.9	2060	8.4
2000	1596	6.5	1721	7.0	1853	7.5	1982	8.1	2105	8.6

CFM	AVAILABLE EXTERNAL STATIC PRESSURE (in. wg)									
	1.2		1.4		1.6		1.8		2.0	
	rpm	vdc	rpm	vdc	rpm	vdc	rpm	vdc	rpm	vdc
1200	1930	7.8	2058	8.4	2177	8.8	2288	9.3	2394	9.7
1300	1960	8.0	2086	8.5	2205	9.0	2316	9.4	2422	9.8
1400	1992	8.1	2116	8.6	2233	9.1	2344	9.5	2450	10.0
1500	2026	8.2	2148	8.7	2263	9.2	2373	9.6	—	—
1600	2062	8.4	2181	8.9	2295	9.3	2403	9.8	—	—
1700	2099	8.5	2217	9.0	2328	9.5	2435	9.9	—	—
1800	2138	8.7	2254	9.2	2363	9.6	—	—	—	—
1900	2179	8.9	2292	9.3	2400	9.8	—	—	—	—
2000	2221	9.0	2332	9.5	2438	9.9	—	—	—	—

High Static 1094-2460 rpm

50FCQA05 Three Phase — 4 Ton Vertical Supply (rpm - bhp)

CFM	AVAILABLE EXTERNAL STATIC PRESSURE (in. wg)									
	0.2		0.4		0.6		0.8		1.0	
	rpm	bhp	rpm	bhp	rpm	bhp	rpm	bhp	rpm	bhp
1200	1094	0.14	1302	0.24	1484	0.35	1646	0.48	1794	0.63
1300	1150	0.16	1347	0.26	1524	0.38	1681	0.51	1826	0.66
1400	1209	0.19	1395	0.29	1565	0.41	1719	0.55	1860	0.69
1500	1269	0.22	1444	0.32	1608	0.45	1759	0.58	1897	0.73
1600	1332	0.25	1496	0.36	1654	0.48	1800	0.62	1935	0.78
1700	1396	0.29	1549	0.40	1701	0.53	1843	0.67	1976	0.82
1800	1461	0.33	1605	0.44	1750	0.57	1888	0.72	2017	0.87
1900	1528	0.38	1662	0.49	1801	0.62	1934	0.77	2060	0.93
2000	1596	0.43	1721	0.54	1853	0.67	1982	0.83	2105	0.99

CFM	AVAILABLE EXTERNAL STATIC PRESSURE (in. wg)									
	1.2		1.4		1.6		1.8		2.0	
	rpm	bhp	rpm	bhp	rpm	bhp	rpm	bhp	rpm	bhp
1200	1930	0.78	2058	0.95	2177	1.12	2288	1.30	2394	1.49
1300	1960	0.81	2086	0.98	2205	1.16	2316	1.34	2422	1.54
1400	1992	0.85	2116	1.02	2233	1.20	2344	1.39	2450	1.58
1500	2026	0.89	2148	1.06	2263	1.24	2373	1.44	2478	1.63
1600	2062	0.94	2181	1.11	2295	1.29	2403	1.49	2507	1.69
1700	2099	0.99	2217	1.16	2328	1.35	2435	1.54	2538	1.75
1800	2138	1.04	2254	1.22	2363	1.40	2469	1.60	2570	1.81
1900	2180	1.10	2292	1.28	2400	1.47	2503	1.67	2603	1.87
2000	2222	1.16	2332	1.34	2438	1.54	2540	1.74	2638	1.95

Standard Static 1094-1900 rpm, 0.72 max bhp

Medium Static 1094-2170 rpm, 1.06 max bhp

High Static 1094-2660 rpm, 1.96 max bhp

50FCQA05 Three Phase — Standard Static — 4 Ton Vertical Supply (rpm - vdc)

CFM	AVAILABLE EXTERNAL STATIC PRESSURE (in. wg)									
	0.2		0.4		0.6		0.8		1.0	
	rpm	vdc	rpm	vdc	rpm	vdc	rpm	vdc	rpm	vdc
1200	1094	5.8	1302	6.9	1484	7.8	1646	8.7	1794	9.4
1300	1150	6.1	1347	7.1	1524	8.0	1681	8.8	1826	9.6
1400	1209	6.4	1395	7.3	1565	8.2	1719	9.0	1860	9.8
1500	1269	6.7	1444	7.6	1608	8.5	1759	9.3	1897	10.0
1600	1332	7.0	1496	7.9	1654	8.7	1800	9.5	—	—
1700	1396	7.3	1549	8.2	1701	9.0	1843	9.7	—	—
1800	1461	7.7	1605	8.4	1750	9.2	1888	9.9	—	—
1900	1528	8.0	1662	8.7	1801	9.5	—	—	—	—
2000	1596	8.4	1721	9.1	1853	9.8	—	—	—	—

CFM	AVAILABLE EXTERNAL STATIC PRESSURE (in. wg)									
	1.2		1.4		1.6		1.8		2.0	
	rpm	vdc	rpm	vdc	rpm	vdc	rpm	vdc	rpm	vdc
1200	—	—	—	—	—	—	—	—	—	—
1300	—	—	—	—	—	—	—	—	—	—
1400	—	—	—	—	—	—	—	—	—	—
1500	—	—	—	—	—	—	—	—	—	—
1600	—	—	—	—	—	—	—	—	—	—
1700	—	—	—	—	—	—	—	—	—	—
1800	—	—	—	—	—	—	—	—	—	—
1900	—	—	—	—	—	—	—	—	—	—
2000	—	—	—	—	—	—	—	—	—	—

Standard Static 1094-1900 rpm

50FCQA05 Three Phase — Medium Static — 4 Ton Vertical Supply (rpm - vdc)

CFM	AVAILABLE EXTERNAL STATIC PRESSURE (in. wg)									
	0.2		0.4		0.6		0.8		1.0	
	rpm	vdc	rpm	vdc	rpm	vdc	rpm	vdc	rpm	vdc
1200	1094	5.0	1302	6.0	1484	6.8	1646	7.6	1794	8.3
1300	1150	5.3	1347	6.2	1524	7.0	1681	7.7	1826	8.4
1400	1209	5.6	1395	6.4	1565	7.2	1719	7.9	1860	8.6
1500	1269	5.8	1444	6.7	1608	7.4	1759	8.1	1897	8.7
1600	1332	6.1	1496	6.9	1654	7.6	1800	8.3	1935	8.9
1700	1396	6.4	1549	7.1	1701	7.8	1843	8.5	1976	9.1
1800	1461	6.7	1605	7.4	1750	8.1	1888	8.7	2017	9.3
1900	1528	7.0	1662	7.7	1801	8.3	1934	8.9	2060	9.5
2000	1596	7.4	1721	7.9	1853	8.5	1982	9.1	2105	9.7

CFM	AVAILABLE EXTERNAL STATIC PRESSURE (in. wg)									
	1.2		1.4		1.6		1.8		2.0	
	rpm	vdc	rpm	vdc	rpm	vdc	rpm	vdc	rpm	vdc
1200	1930	8.9	2058	9.5	—	—	—	—	—	—
1300	1960	9.0	2086	9.6	—	—	—	—	—	—
1400	1992	9.2	2116	9.8	—	—	—	—	—	—
1500	2026	9.3	2148	9.9	—	—	—	—	—	—
1600	2062	9.5	—	—	—	—	—	—	—	—
1700	2099	9.7	—	—	—	—	—	—	—	—
1800	2138	9.9	—	—	—	—	—	—	—	—
1900	—	—	—	—	—	—	—	—	—	—
2000	—	—	—	—	—	—	—	—	—	—

Medium Static 1094-2170 rpm

50FCQA05 Three Phase — High Static — 4 Ton Vertical Supply (rpm - vdc)

CFM	AVAILABLE EXTERNAL STATIC PRESSURE (in. wg)									
	0.2		0.4		0.6		0.8		1.0	
	rpm	vdc	rpm	vdc	rpm	vdc	rpm	vdc	rpm	vdc
1200	1094	4.1	1302	4.9	1484	5.6	1646	6.2	1794	6.7
1300	1150	4.3	1347	5.1	1524	5.7	1681	6.3	1826	6.9
1400	1209	4.5	1395	5.2	1565	5.9	1719	6.5	1860	7.0
1500	1269	4.8	1444	5.4	1608	6.0	1759	6.6	1897	7.1
1600	1332	5.0	1496	5.6	1654	6.2	1800	6.8	1935	7.3
1700	1396	5.2	1549	5.8	1701	6.4	1843	6.9	1976	7.4
1800	1461	5.5	1605	6.0	1750	6.6	1888	7.1	2017	7.6
1900	1528	5.7	1662	6.2	1801	6.8	1934	7.3	2060	7.7
2000	1596	6.0	1721	6.5	1853	7.0	1982	7.5	2105	7.9

CFM	AVAILABLE EXTERNAL STATIC PRESSURE (in. wg)									
	1.2		1.4		1.6		1.8		2.0	
	rpm	vdc	rpm	vdc	rpm	vdc	rpm	vdc	rpm	vdc
1200	1930	7.3	2058	7.7	2177	8.2	2288	8.6	2394	9.0
1300	1960	7.4	2086	7.8	2205	8.3	2316	8.7	2422	9.1
1400	1992	7.5	2116	8.0	2233	8.4	2344	8.8	2450	9.2
1500	2026	7.6	2148	8.1	2263	8.5	2373	8.9	2478	9.3
1600	2062	7.8	2181	8.2	2295	8.6	2403	9.0	2507	9.4
1700	2099	7.9	2217	8.3	2328	8.8	2435	9.2	2538	9.5
1800	2138	8.0	2254	8.5	2363	8.9	2469	9.3	2570	9.7
1900	2180	8.2	2292	8.6	2400	9.0	2503	9.4	2603	9.8
2000	2222	8.4	2332	8.8	2438	9.2	2540	9.5	2638	9.9

High Static 1094-2660 rpm

50FCQA06 Single Phase — 5 Ton Vertical Supply (rpm - bhp)

CFM	AVAILABLE EXTERNAL STATIC PRESSURE (in. wg)									
	0.2		0.4		0.6		0.8		1.0	
	rpm	bhp	rpm	bhp	rpm	bhp	rpm	bhp	rpm	bhp
1500	1228	0.20	1394	0.29	1554	0.40	1701	0.53	1836	0.66
1625	1305	0.24	1457	0.33	1609	0.44	1750	0.57	1882	0.71
1750	1384	0.28	1523	0.37	1666	0.49	1802	0.62	1930	0.76
1875	1466	0.33	1592	0.43	1726	0.54	1857	0.67	1981	0.82
2000	1549	0.39	1664	0.48	1789	0.60	1914	0.74	2034	0.88
2125	1633	0.46	1739	0.55	1855	0.67	1974	0.81	2089	0.95
2250	1718	0.53	1816	0.63	1924	0.74	2036	0.88	2146	1.03
2375	1803	0.61	1894	0.71	1995	0.83	2100	0.97	2206	1.12
2500	1890	0.70	1974	0.80	2068	0.92	2167	1.06	2268	1.21

CFM	AVAILABLE EXTERNAL STATIC PRESSURE (in. wg)									
	1.2		1.4		1.6		1.8		2.0	
	rpm	bhp	rpm	bhp	rpm	bhp	rpm	bhp	rpm	bhp
1500	1961	0.80	2079	0.96	2191	1.12	2297	1.29	—	—
1625	2004	0.85	2120	1.01	2229	1.18	2334	1.35	—	—
1750	2050	0.91	2163	1.07	2270	1.24	2373	1.41	—	—
1875	2098	0.97	2208	1.13	2314	1.31	—	—	—	—
2000	2148	1.04	2256	1.21	2359	1.38	—	—	—	—
2125	2200	1.11	2305	1.28	—	—	—	—	—	—
2250	2254	1.20	2357	1.37	—	—	—	—	—	—
2375	2310	1.28	—	—	—	—	—	—	—	—
2500	2368	1.38	—	—	—	—	—	—	—	—

Standard Static 1228-2150 rpm, 1.06 max bhp

Medium Static 1228-2390 rpm, 1.44 max bhp

50FCQA06 Single Phase — Standard Static — 5 Ton Vertical Supply (rpm - vdc)

CFM	AVAILABLE EXTERNAL STATIC PRESSURE (in. wg)									
	0.2		0.4		0.6		0.8		1.0	
	rpm	vdc	rpm	vdc	rpm	vdc	rpm	vdc	rpm	vdc
1500	1228	5.7	1394	6.5	1554	7.2	1701	7.9	1836	8.5
1625	1305	6.1	1457	6.8	1609	7.5	1750	8.1	1882	8.8
1750	1384	6.4	1523	7.1	1666	7.7	1802	8.4	1930	9.0
1875	1466	6.8	1592	7.4	1726	8.0	1857	8.6	1981	9.2
2000	1549	7.2	1664	7.7	1789	8.3	1914	8.9	2034	9.5
2125	1633	7.6	1739	8.1	1855	8.6	1974	9.2	2089	9.7
2250	1718	8.0	1816	8.4	1924	8.9	2036	9.5	2146	10.0
2375	1803	8.4	1894	8.8	1995	9.3	2100	9.8	—	—
2500	1890	8.8	1974	9.2	2068	9.6	—	—	—	—

CFM	AVAILABLE EXTERNAL STATIC PRESSURE (in. wg)									
	1.2		1.4		1.6		1.8		2.0	
	rpm	vdc	rpm	vdc	rpm	vdc	rpm	vdc	rpm	vdc
1500	1961	9.1	2079	9.7	—	—	—	—	—	—
1625	2004	9.3	2120	9.9	—	—	—	—	—	—
1750	2050	9.5	—	—	—	—	—	—	—	—
1875	2098	9.8	—	—	—	—	—	—	—	—
2000	2148	10.0	—	—	—	—	—	—	—	—
2125	—	—	—	—	—	—	—	—	—	—
2250	—	—	—	—	—	—	—	—	—	—
2375	—	—	—	—	—	—	—	—	—	—
2500	—	—	—	—	—	—	—	—	—	—

Standard Static 1228-2150 rpm

50FCQA06 Single Phase — Medium Static — 5 Ton Vertical Supply (rpm - vdc)

CFM	AVAILABLE EXTERNAL STATIC PRESSURE (in. wg)									
	0.2		0.4		0.6		0.8		1.0	
	rpm	vdc	rpm	vdc	rpm	vdc	rpm	vdc	rpm	vdc
1500	1228	5.1	1394	5.8	1554	6.5	1701	7.1	1836	7.7
1625	1305	5.5	1457	6.1	1609	6.7	1750	7.3	1882	7.9
1750	1384	5.8	1523	6.4	1666	7.0	1802	7.5	1930	8.1
1875	1466	6.1	1592	6.7	1726	7.2	1857	7.8	1981	8.3
2000	1549	6.5	1664	7.0	1789	7.5	1914	8.0	2034	8.5
2125	1633	6.8	1739	7.3	1855	7.8	1974	8.3	2089	8.7
2250	1718	7.2	1816	7.6	1924	8.1	2036	8.5	2146	9.0
2375	1803	7.5	1894	7.9	1995	8.3	2100	8.8	2206	9.2
2500	1890	7.9	1974	8.3	2068	8.7	2167	9.1	2268	9.5

CFM	AVAILABLE EXTERNAL STATIC PRESSURE (in. wg)									
	1.2		1.4		1.6		1.8		2.0	
	rpm	vdc	rpm	vdc	rpm	vdc	rpm	vdc	rpm	vdc
1500	1961	8.2	2079	8.7	2191	9.2	2297	9.6	—	—
1625	2004	8.4	2120	8.9	2229	9.3	2334	9.8	—	—
1750	2050	8.6	2163	9.1	2270	9.5	2373	9.9	—	—
1875	2098	8.8	2208	9.2	2314	9.7	—	—	—	—
2000	2148	9.0	2256	9.4	2359	9.9	—	—	—	—
2125	2200	9.2	2305	9.6	—	—	—	—	—	—
2250	2254	9.4	2357	9.9	—	—	—	—	—	—
2375	2310	9.7	—	—	—	—	—	—	—	—
2500	2368	9.9	—	—	—	—	—	—	—	—

Medium Static 1228-2390 rpm

50FCQA06 Three Phase — 5 Ton Vertical Supply (rpm - bhp)

CFM	AVAILABLE EXTERNAL STATIC PRESSURE (in. wg)									
	0.2		0.4		0.6		0.8		1.0	
	rpm	bhp	rpm	bhp	rpm	bhp	rpm	bhp	rpm	bhp
1500	1228	0.20	1394	0.29	1554	0.40	1701	0.53	1836	0.66
1625	1305	0.24	1457	0.33	1609	0.44	1750	0.57	1882	0.71
1750	1384	0.28	1523	0.37	1666	0.49	1802	0.62	1930	0.76
1875	1466	0.33	1592	0.43	1726	0.54	1857	0.67	1981	0.82
2000	1549	0.39	1664	0.48	1789	0.60	1914	0.74	2034	0.88
2125	1633	0.46	1739	0.55	1855	0.67	1974	0.81	2089	0.95
2250	1718	0.53	1816	0.63	1924	0.74	2036	0.88	2146	1.03
2375	1803	0.61	1894	0.71	1995	0.83	2100	0.97	2206	1.12
2500	1889	0.70	1974	0.80	2068	0.92	2167	1.06	2268	1.21

CFM	AVAILABLE EXTERNAL STATIC PRESSURE (in. wg)									
	1.2		1.4		1.6		1.8		2.0	
	rpm	bhp	rpm	bhp	rpm	bhp	rpm	bhp	rpm	bhp
1500	1961	0.80	2079	0.96	2191	1.12	2297	1.29	2399	1.47
1625	2004	0.85	2120	1.01	2229	1.18	2334	1.35	2434	1.53
1750	2050	0.91	2163	1.07	2271	1.24	2373	1.41	2472	1.60
1875	2098	0.97	2208	1.13	2314	1.31	2415	1.48	2511	1.67
2000	2148	1.04	2256	1.21	2359	1.38	2458	1.56	2553	1.75
2125	2200	1.11	2305	1.28	2407	1.46	2504	1.64	2597	1.83
2250	2254	1.20	2357	1.37	2456	1.55	2551	1.73	2643	1.93
2375	2310	1.28	2410	1.46	2507	1.64	2600	1.83	2690	2.03
2500	2368	1.38	2465	1.56	2560	1.75	2651	1.94	2739	2.14

- Standard Static 1228-2150 rpm, 1.06 max bhp
- Medium Static 1228-2390 rpm, 1.44 max bhp
- High Static 1228-2836 rpm, 2.43 max bhp

50FCQA06 Three Phase — Standard Static — 5 Ton Vertical Supply (rpm - vdc)

CFM	AVAILABLE EXTERNAL STATIC PRESSURE (in. wg)									
	0.2		0.4		0.6		0.8		1.0	
	rpm	vdc	rpm	vdc	rpm	vdc	rpm	vdc	rpm	vdc
1500	1228	5.7	1394	6.5	1554	7.2	1701	7.9	1836	8.5
1625	1305	6.1	1457	6.8	1609	7.5	1750	8.1	1882	8.8
1750	1384	6.4	1523	7.1	1666	7.7	1802	8.4	1930	9.0
1875	1466	6.8	1592	7.4	1726	8.0	1857	8.6	1981	9.2
2000	1549	7.2	1664	7.7	1789	8.3	1914	8.9	2034	9.5
2125	1633	7.6	1739	8.1	1855	8.6	1974	9.2	2089	9.7
2250	1718	8.0	1816	8.4	1924	8.9	2036	9.5	2146	10.0
2375	1803	8.4	1894	8.8	1995	9.3	2100	9.8	—	—
2500	1889	8.8	1974	9.2	2068	9.6	—	—	—	—

CFM	AVAILABLE EXTERNAL STATIC PRESSURE (in. wg)									
	1.2		1.4		1.6		1.8		2.0	
	rpm	vdc	rpm	vdc	rpm	vdc	rpm	vdc	rpm	vdc
1500	1961	9.1	2079	9.7	—	—	—	—	—	—
1625	2004	9.3	2120	9.9	—	—	—	—	—	—
1750	2050	9.5	—	—	—	—	—	—	—	—
1875	2098	9.8	—	—	—	—	—	—	—	—
2000	2148	10.0	—	—	—	—	—	—	—	—
2125	—	—	—	—	—	—	—	—	—	—
2250	—	—	—	—	—	—	—	—	—	—
2375	—	—	—	—	—	—	—	—	—	—
2500	—	—	—	—	—	—	—	—	—	—

- Standard Static 1228-2150 rpm

50FCQA06 Three Phase — Medium Static — 5 Ton Vertical Supply (rpm - vdc)

CFM	AVAILABLE EXTERNAL STATIC PRESSURE (in. wg)									
	0.2		0.4		0.6		0.8		1.0	
	rpm	vdc	rpm	vdc	rpm	vdc	rpm	vdc	rpm	vdc
1500	1228	5.1	1394	5.8	1554	6.5	1701	7.1	1836	7.7
1625	1305	5.5	1457	6.1	1609	6.7	1750	7.3	1882	7.9
1750	1384	5.8	1523	6.4	1666	7.0	1802	7.5	1930	8.1
1875	1466	6.1	1592	6.7	1726	7.2	1857	7.8	1981	8.3
2000	1549	6.5	1664	7.0	1789	7.5	1914	8.0	2034	8.5
2125	1633	6.8	1739	7.3	1855	7.8	1974	8.3	2089	8.7
2250	1718	7.2	1816	7.6	1924	8.1	2036	8.5	2146	9.0
2375	1803	7.5	1894	7.9	1995	8.3	2100	8.8	2206	9.2
2500	1889	7.9	1974	8.3	2068	8.7	2167	9.1	2268	9.5

CFM	AVAILABLE EXTERNAL STATIC PRESSURE (in. wg)									
	1.2		1.4		1.6		1.8		2.0	
	rpm	vdc	rpm	vdc	rpm	vdc	rpm	vdc	rpm	vdc
1500	1961	8.2	2079	8.7	2191	9.2	2297	9.6	—	—
1625	2004	8.4	2120	8.9	2229	9.3	2334	9.8	—	—
1750	2050	8.6	2163	9.1	2271	9.5	2373	9.9	—	—
1875	2098	8.8	2208	9.2	2314	9.7	—	—	—	—
2000	2148	9.0	2256	9.4	2359	9.9	—	—	—	—
2125	2200	9.2	2305	9.6	—	—	—	—	—	—
2250	2254	9.4	2357	9.9	—	—	—	—	—	—
2375	2310	9.7	—	—	—	—	—	—	—	—
2500	2368	9.9	—	—	—	—	—	—	—	—

Medium Static 1228-2390 rpm

50FCQA06 Three Phase — High Static — 5 Ton Vertical Supply (rpm - vdc)

CFM	AVAILABLE EXTERNAL STATIC PRESSURE (in. wg)									
	0.2		0.4		0.6		0.8		1.0	
	rpm	vdc	rpm	vdc	rpm	vdc	rpm	vdc	rpm	vdc
1500	1228	4.3	1394	4.9	1554	5.5	1701	6.0	1836	6.5
1625	1305	4.6	1457	5.1	1609	5.7	1750	6.2	1882	6.6
1750	1384	4.9	1523	5.4	1666	5.9	1802	6.4	1930	6.8
1875	1466	5.2	1592	5.6	1726	6.1	1857	6.5	1981	7.0
2000	1549	5.5	1664	5.9	1789	6.3	1914	6.7	2034	7.2
2125	1633	5.8	1739	6.1	1855	6.5	1974	7.0	2089	7.4
2250	1718	6.1	1816	6.4	1924	6.8	2036	7.2	2146	7.6
2375	1803	6.4	1894	6.7	1995	7.0	2100	7.4	2206	7.8
2500	1889	6.7	1974	7.0	2068	7.3	2167	7.6	2268	8.0

CFM	AVAILABLE EXTERNAL STATIC PRESSURE (in. wg)									
	1.2		1.4		1.6		1.8		2.0	
	rpm	vdc	rpm	vdc	rpm	vdc	rpm	vdc	rpm	vdc
1500	1961	6.9	2079	7.3	2191	7.7	2297	8.1	2399	8.5
1625	2004	7.1	2120	7.5	2229	7.9	2334	8.2	2434	8.6
1750	2050	7.2	2163	7.6	2271	8.0	2373	8.4	2472	8.7
1875	2098	7.4	2208	7.8	2314	8.2	2415	8.5	2511	8.9
2000	2148	7.6	2256	8.0	2359	8.3	2458	8.7	2553	9.0
2125	2200	7.8	2305	8.1	2407	8.5	2504	8.8	2597	9.2
2250	2254	7.9	2357	8.3	2456	8.7	2551	9.0	2643	9.3
2375	2310	8.1	2410	8.5	2507	8.8	2600	9.2	2690	9.5
2500	2368	8.3	2465	8.7	2560	9.0	2651	9.3	2739	9.7

High Static 1228-2836 rpm

50FCQM07 Three Phase — 6 Ton Vertical Supply (rpm - bhp)

CFM	AVAILABLE EXTERNAL STATIC PRESSURE (in. wg)									
	0.2		0.4		0.6		0.8		1.0	
	rpm	bhp	rpm	bhp	rpm	bhp	rpm	bhp	rpm	bhp
1800	1416	0.30	1549	0.39	1690	0.51	1824	0.64	1950	0.78
1950	1516	0.37	1635	0.46	1764	0.58	1891	0.71	2012	0.86
2100	1616	0.44	1724	0.54	1841	0.65	1961	0.79	2078	0.94
2250	1718	0.53	1815	0.62	1924	0.74	2036	0.88	2146	1.03
2400	1820	0.63	1910	0.73	2009	0.84	2113	0.98	2218	1.14
2550	1924	0.74	2007	0.84	2098	0.96	2195	1.10	2293	1.25
2700	2028	0.87	2105	0.97	2189	1.09	2279	1.23	2371	1.38
2850	2133	1.01	2205	1.11	2282	1.23	2366	1.37	2453	1.53
3000	2239	1.16	2306	1.27	2378	1.39	2456	1.53	2537	1.69

CFM	AVAILABLE EXTERNAL STATIC PRESSURE (in. wg)									
	1.2		1.4		1.6		1.8		2.0	
	rpm	bhp	rpm	bhp	rpm	bhp	rpm	bhp	rpm	bhp
1800	2069	0.93	2181	1.10	2287	1.26	2389	1.44	2487	1.62
1950	2127	1.01	2237	1.18	2341	1.35	2440	1.53	2536	1.71
2100	2189	1.10	2295	1.27	2397	1.44	2494	1.63	2588	1.82
2250	2254	1.20	2357	1.37	2456	1.55	2551	1.73	2643	1.93
2400	2321	1.30	2421	1.48	2517	1.66	2610	1.85	2700	2.05
2550	2392	1.42	2488	1.60	2581	1.79	2672	1.98	2759	2.18
2700	2465	1.55	2557	1.73	2648	1.93	2736	2.13	2821	2.33
2850	2541	1.70	2630	1.88	2717	2.08	2802	2.28	—	—
3000	2621	1.86	2705	2.05	2788	2.24	—	—	—	—

Standard Static 1416-2300 rpm, 1.31 max bhp

Medium Static 1416-2530 rpm, 1.76 max bhp

High Static 1416-2836 rpm, 2.43 max bhp

50FCQM07 Three Phase — Standard Static — 6 Ton Vertical Supply (rpm - vdc)

CFM	AVAILABLE EXTERNAL STATIC PRESSURE (in. wg)									
	0.2		0.4		0.6		0.8		1.0	
	rpm	vdc	rpm	vdc	rpm	vdc	rpm	vdc	rpm	vdc
1800	1416	6.2	1549	6.7	1690	7.3	1824	7.9	1950	8.5
1950	1516	6.6	1635	7.1	1764	7.7	1891	8.2	2012	8.7
2100	1616	7.0	1724	7.5	1841	8.0	1961	8.5	2078	9.0
2250	1718	7.5	1815	7.9	1924	8.4	2036	8.9	2146	9.3
2400	1820	7.9	1910	8.3	2009	8.7	2113	9.2	2218	9.6
2550	1924	8.4	2007	8.7	2098	9.1	2195	9.5	2293	10.0
2700	2028	8.8	2105	9.2	2189	9.5	2279	9.9	—	—
2850	2133	9.3	2205	9.6	2282	9.9	—	—	—	—
3000	2239	9.7	—	—	—	—	—	—	—	—

CFM	AVAILABLE EXTERNAL STATIC PRESSURE (in. wg)									
	1.2		1.4		1.6		1.8		2.0	
	rpm	vdc	rpm	vdc	rpm	vdc	rpm	vdc	rpm	vdc
1800	2069	9.0	2181	9.5	2287	9.9	—	—	—	—
1950	2127	9.2	2237	9.7	—	—	—	—	—	—
2100	2189	9.5	2295	10.0	—	—	—	—	—	—
2250	2254	9.8	—	—	—	—	—	—	—	—
2400	—	—	—	—	—	—	—	—	—	—
2550	—	—	—	—	—	—	—	—	—	—
2700	—	—	—	—	—	—	—	—	—	—
2850	—	—	—	—	—	—	—	—	—	—
3000	—	—	—	—	—	—	—	—	—	—

Standard Static 1416-2300 rpm

50FCQM07 Three Phase — Medium Static — 6 Ton Vertical Supply (rpm - vdc)

CFM	AVAILABLE EXTERNAL STATIC PRESSURE (in. wg)									
	0.2		0.4		0.6		0.8		1.0	
	rpm	vdc	rpm	vdc	rpm	vdc	rpm	vdc	rpm	vdc
1800	1416	5.6	1549	6.1	1690	6.7	1824	7.2	1950	7.7
1950	1516	6.0	1635	6.5	1764	7.0	1891	7.5	2012	8.0
2100	1616	6.4	1724	6.8	1841	7.3	1961	7.8	2078	8.2
2250	1718	6.8	1815	7.2	1924	7.6	2036	8.0	2146	8.5
2400	1820	7.2	1910	7.5	2009	7.9	2113	8.4	2218	8.8
2550	1924	7.6	2007	7.9	2098	8.3	2195	8.7	2293	9.1
2700	2028	8.0	2105	8.3	2189	8.7	2279	9.0	2371	9.4
2850	2133	8.4	2205	8.7	2282	9.0	2366	9.4	2453	9.7
3000	2239	8.8	2306	9.1	2378	9.4	2456	9.7	—	—

CFM	AVAILABLE EXTERNAL STATIC PRESSURE (in. wg)									
	1.2		1.4		1.6		1.8		2.0	
	rpm	vdc	rpm	vdc	rpm	vdc	rpm	vdc	rpm	vdc
1800	2069	8.2	2181	8.6	2287	9.0	2389	9.4	2487	9.8
1950	2127	8.4	2237	8.8	2341	9.3	2440	9.6	—	—
2100	2189	8.7	2295	9.1	2397	9.5	2494	9.9	—	—
2250	2254	8.9	2357	9.3	2456	9.7	—	—	—	—
2400	2321	9.2	2421	9.6	2517	9.9	—	—	—	—
2550	2392	9.5	2488	9.8	—	—	—	—	—	—
2700	2465	9.7	—	—	—	—	—	—	—	—
2850	—	—	—	—	—	—	—	—	—	—
3000	—	—	—	—	—	—	—	—	—	—

Medium Static 1416-2530 rpm

50FCQM07 Three Phase — High Static — 6 Ton Vertical Supply (rpm - vdc)

CFM	AVAILABLE EXTERNAL STATIC PRESSURE (in. wg)									
	0.2		0.4		0.6		0.8		1.0	
	rpm	vdc	rpm	vdc	rpm	vdc	rpm	vdc	rpm	vdc
1800	1416	5.0	1549	5.5	1690	6.0	1824	6.4	1950	6.9
1950	1516	5.3	1635	5.8	1764	6.2	1891	6.7	2012	7.1
2100	1616	5.7	1724	6.1	1841	6.5	1961	6.9	2078	7.3
2250	1718	6.1	1815	6.4	1924	6.8	2036	7.2	2146	7.6
2400	1820	6.4	1910	6.7	2009	7.1	2113	7.5	2218	7.8
2550	1924	6.8	2007	7.1	2098	7.4	2195	7.7	2293	8.1
2700	2028	7.2	2105	7.4	2189	7.7	2279	8.0	2371	8.4
2850	2133	7.5	2205	7.8	2282	8.0	2366	8.3	2453	8.6
3000	2239	7.9	2306	8.1	2378	8.4	2456	8.7	2537	8.9

CFM	AVAILABLE EXTERNAL STATIC PRESSURE (in. wg)									
	1.2		1.4		1.6		1.8		2.0	
	rpm	vdc	rpm	vdc	rpm	vdc	rpm	vdc	rpm	vdc
1800	2069	7.3	2181	7.7	2287	8.1	2389	8.4	2487	8.8
1950	2127	7.5	2237	7.9	2341	8.3	2440	8.6	2536	8.9
2100	2189	7.7	2295	8.1	2397	8.5	2494	8.8	2588	9.1
2250	2254	7.9	2357	8.3	2456	8.7	2551	9.0	2643	9.3
2400	2321	8.2	2421	8.5	2517	8.9	2610	9.2	2700	9.5
2550	2392	8.4	2488	8.8	2581	9.1	2672	9.4	2759	9.7
2700	2465	8.7	2557	9.0	2648	9.3	2736	9.6	2821	9.9
2850	2541	9.0	2630	9.3	2717	9.6	2802	9.9	—	—
3000	2621	9.2	2705	9.5	2788	9.8	—	—	—	—

High Static 1416-2836 rpm

50FCQA04 Single Phase — 3 Ton Horizontal Supply (rpm - bhp)

CFM	AVAILABLE EXTERNAL STATIC PRESSURE (in. wg)									
	0.2		0.4		0.6		0.8		1.0	
	rpm	bhp	rpm	bhp	rpm	bhp	rpm	bhp	rpm	bhp
900	1036	0.08	1301	0.15	1517	0.24	1698	0.34	1855	0.44
975	1077	0.09	1331	0.16	1546	0.26	1727	0.36	1885	0.47
1050	1119	0.10	1362	0.18	1574	0.27	1755	0.38	1915	0.49
1125	1164	0.11	1394	0.19	1603	0.29	1783	0.39	1944	0.51
1200	1211	0.12	1429	0.20	1632	0.30	1813	0.41	1972	0.53
1275	1261	0.14	1466	0.22	1663	0.32	1841	0.43	2000	0.56
1350	1312	0.16	1506	0.24	1695	0.34	1870	0.46	2029	0.58
1425	1365	0.18	1547	0.26	1729	0.36	1901	0.48	2057	0.61
1500	1419	0.20	1591	0.28	1765	0.38	1932	0.50	2087	0.63

CFM	AVAILABLE EXTERNAL STATIC PRESSURE (in. wg)									
	1.2		1.4		1.6		1.8		2.0	
	rpm	bhp	rpm	bhp	rpm	bhp	rpm	bhp	rpm	bhp
900	1996	0.55	2123	0.67	2242	0.78	2352	0.91	2455	1.03
975	2027	0.58	2157	0.70	2276	0.82	2387	0.95	—	—
1050	2058	0.61	2189	0.73	2309	0.86	2421	0.99	—	—
1125	2088	0.63	2219	0.76	2341	0.89	2454	1.03	—	—
1200	2117	0.66	2249	0.79	2372	0.93	2486	1.07	—	—
1275	2146	0.69	2278	0.82	2402	0.97	—	—	—	—
1350	2174	0.72	2307	0.86	2431	1.00	—	—	—	—
1425	2202	0.74	2336	0.89	2460	1.04	—	—	—	—
1500	2230	0.77	2364	0.92	2488	1.07	—	—	—	—

Standard Static 1036-1890 rpm, 0.44 max bhp

Medium Static 1036-2190 rpm, 0.71 max bhp

High Static 1036-2490 rpm, 1.07 max bhp

50FCQA04 Single Phase — Standard Static — 3 Ton Horizontal Supply (rpm - vdc)

CFM	AVAILABLE EXTERNAL STATIC PRESSURE (in. wg)									
	0.2		0.4		0.6		0.8		1.0	
	rpm	vdc	rpm	vdc	rpm	vdc	rpm	vdc	rpm	vdc
900	1036	5.5	1301	6.9	1517	8.0	1698	9.0	1855	9.8
975	1077	5.7	1331	7.0	1546	8.2	1727	9.1	1885	10.0
1050	1119	5.9	1362	7.2	1574	8.3	1755	9.3	—	—
1125	1164	6.2	1394	7.4	1603	8.5	1783	9.4	—	—
1200	1211	6.4	1429	7.6	1632	8.6	1813	9.6	—	—
1275	1261	6.7	1466	7.8	1663	8.8	1841	9.7	—	—
1350	1312	6.9	1506	8.0	1695	9.0	1870	9.9	—	—
1425	1365	7.2	1547	8.2	1729	9.1	—	—	—	—
1500	1419	7.5	1591	8.4	1765	9.3	—	—	—	—

CFM	AVAILABLE EXTERNAL STATIC PRESSURE (in. wg)									
	1.2		1.4		1.6		1.8		2.0	
	rpm	vdc	rpm	vdc	rpm	vdc	rpm	vdc	rpm	vdc
900	—	—	—	—	—	—	—	—	—	—
975	—	—	—	—	—	—	—	—	—	—
1050	—	—	—	—	—	—	—	—	—	—
1125	—	—	—	—	—	—	—	—	—	—
1200	—	—	—	—	—	—	—	—	—	—
1275	—	—	—	—	—	—	—	—	—	—
1350	—	—	—	—	—	—	—	—	—	—
1425	—	—	—	—	—	—	—	—	—	—
1500	—	—	—	—	—	—	—	—	—	—

Standard Static 1036-1890 rpm

50FCQA04 Single Phase — Medium Static — 3 Ton Horizontal Supply (rpm - vdc)

CFM	AVAILABLE EXTERNAL STATIC PRESSURE (in. wg)									
	0.2		0.4		0.6		0.8		1.0	
	rpm	vdc	rpm	vdc	rpm	vdc	rpm	vdc	rpm	vdc
900	1036	4.7	1301	5.9	1517	6.9	1698	7.8	1855	8.5
975	1077	4.9	1331	6.1	1546	7.1	1727	7.9	1885	8.6
1050	1119	5.1	1362	6.2	1574	7.2	1755	8.0	1915	8.7
1125	1164	5.3	1394	6.4	1603	7.3	1783	8.1	1944	8.9
1200	1211	5.5	1429	6.5	1632	7.5	1813	8.3	1972	9.0
1275	1261	5.8	1466	6.7	1663	7.6	1841	8.4	2000	9.1
1350	1312	6.0	1506	6.9	1695	7.7	1870	8.5	2029	9.3
1425	1365	6.2	1547	7.1	1729	7.9	1901	8.7	2057	9.4
1500	1419	6.5	1591	7.3	1765	8.1	1932	8.8	2087	9.5

CFM	AVAILABLE EXTERNAL STATIC PRESSURE (in. wg)									
	1.2		1.4		1.6		1.8		2.0	
	rpm	vdc	rpm	vdc	rpm	vdc	rpm	vdc	rpm	vdc
900	1996	9.1	2123	9.7	—	—	—	—	—	—
975	2027	9.3	2157	9.8	—	—	—	—	—	—
1050	2058	9.4	2189	10.0	—	—	—	—	—	—
1125	2088	9.5	—	—	—	—	—	—	—	—
1200	2117	9.7	—	—	—	—	—	—	—	—
1275	2146	9.8	—	—	—	—	—	—	—	—
1350	2174	9.9	—	—	—	—	—	—	—	—
1425	—	—	—	—	—	—	—	—	—	—
1500	—	—	—	—	—	—	—	—	—	—

Medium Static 1036-2190 rpm

50FCQA04 Single Phase — High Static — 3 Ton Horizontal Supply (rpm - vdc)

CFM	AVAILABLE EXTERNAL STATIC PRESSURE (in. wg)									
	0.2		0.4		0.6		0.8		1.0	
	rpm	vdc	rpm	vdc	rpm	vdc	rpm	vdc	rpm	vdc
900	1036	4.2	1301	5.2	1517	6.1	1698	6.8	1855	7.4
975	1077	4.3	1331	5.3	1546	6.2	1727	6.9	1885	7.6
1050	1119	4.5	1362	5.5	1574	6.3	1755	7.0	1915	7.7
1125	1164	4.7	1394	5.6	1603	6.4	1783	7.2	1944	7.8
1200	1211	4.9	1429	5.7	1632	6.6	1813	7.3	1972	7.9
1275	1261	5.1	1466	5.9	1663	6.7	1841	7.4	2000	8.0
1350	1312	5.3	1506	6.0	1695	6.8	1870	7.5	2029	8.1
1425	1365	5.5	1547	6.2	1729	6.9	1901	7.6	2057	8.3
1500	1419	5.7	1591	6.4	1765	7.1	1932	7.8	2087	8.4

CFM	AVAILABLE EXTERNAL STATIC PRESSURE (in. wg)									
	1.2		1.4		1.6		1.8		2.0	
	rpm	vdc	rpm	vdc	rpm	vdc	rpm	vdc	rpm	vdc
900	1996	8.0	2123	8.5	2242	9.0	2352	9.4	2455	9.9
975	2027	8.1	2157	8.7	2276	9.1	2387	9.6	—	—
1050	2058	8.3	2189	8.8	2309	9.3	2421	9.7	—	—
1125	2088	8.4	2219	8.9	2341	9.4	2454	9.9	—	—
1200	2117	8.5	2249	9.0	2372	9.5	2486	10.0	—	—
1275	2146	8.6	2278	9.1	2402	9.6	—	—	—	—
1350	2174	8.7	2307	9.3	2431	9.8	—	—	—	—
1425	2202	8.8	2336	9.4	2460	9.9	—	—	—	—
1500	2230	9.0	2364	9.5	2488	10.0	—	—	—	—

High Static 1036-2490 rpm

50FCQA04 Three Phase — 3 Ton Horizontal Supply (rpm - bhp)

CFM	AVAILABLE EXTERNAL STATIC PRESSURE (in. wg)									
	0.2		0.4		0.6		0.8		1.0	
	rpm	bhp	rpm	bhp	rpm	bhp	rpm	bhp	rpm	bhp
900	1036	0.08	1301	0.15	1517	0.24	1698	0.34	1855	0.44
975	1076	0.09	1330	0.16	1545	0.26	1727	0.36	1885	0.47
1050	1119	0.10	1361	0.18	1573	0.27	1756	0.38	1915	0.49
1125	1164	0.11	1395	0.19	1602	0.29	1784	0.40	1944	0.51
1200	1211	0.12	1429	0.20	1632	0.30	1812	0.41	1973	0.53
1275	1261	0.14	1466	0.22	1663	0.32	1841	0.43	2001	0.56
1350	1313	0.16	1506	0.24	1695	0.34	1870	0.46	2029	0.58
1425	1366	0.18	1548	0.26	1729	0.36	1900	0.48	2058	0.61
1500	1420	0.20	1591	0.28	1765	0.38	1932	0.50	2087	0.63

CFM	AVAILABLE EXTERNAL STATIC PRESSURE (in. wg)									
	1.2		1.4		1.6		1.8		2.0	
	rpm	bhp	rpm	bhp	rpm	bhp	rpm	bhp	rpm	bhp
900	1995	0.55	2124	0.67	2242	0.78	2352	0.91	2455	1.03
975	2027	0.58	2157	0.70	2276	0.82	2387	0.95	—	—
1050	2058	0.61	2189	0.73	2309	0.86	2421	0.99	—	—
1125	2088	0.63	2219	0.76	2341	0.89	2454	1.03	—	—
1200	2117	0.66	2249	0.79	2372	0.93	2485	1.07	—	—
1275	2146	0.69	2278	0.82	2401	0.96	—	—	—	—
1350	2174	0.72	2307	0.86	2431	1.00	—	—	—	—
1425	2202	0.74	2335	0.89	2460	1.04	—	—	—	—
1500	2231	0.77	2364	0.92	2488	1.07	—	—	—	—

Standard Static 1136-1890 rpm, 0.44 max bhp

Medium Static 1136-2190 rpm, 0.71 max bhp

High Static 1136-2490 rpm, 1.07 max bhp

50FCQA04 Three Phase — Standard Static — 3 Ton Horizontal Supply (rpm - vdc)

CFM	AVAILABLE EXTERNAL STATIC PRESSURE (in. wg)									
	0.2		0.4		0.6		0.8		1.0	
	rpm	vdc	rpm	vdc	rpm	vdc	rpm	vdc	rpm	vdc
900	1036	5.5	1301	6.9	1517	8.0	1698	9.0	1855	9.8
975	1076	5.7	1330	7.0	1545	8.2	1727	9.1	1885	10.0
1050	1119	5.9	1361	7.2	1573	8.3	1756	9.3	—	—
1125	1164	6.2	1395	7.4	1602	8.5	1784	9.4	—	—
1200	1211	6.4	1429	7.6	1632	8.6	1812	9.6	—	—
1275	1261	6.7	1466	7.8	1663	8.8	1841	9.7	—	—
1350	1313	6.9	1506	8.0	1695	9.0	1870	9.9	—	—
1425	1366	7.2	1548	8.2	1729	9.1	—	—	—	—
1500	1420	7.5	1591	8.4	1765	9.3	—	—	—	—

CFM	AVAILABLE EXTERNAL STATIC PRESSURE (in. wg)									
	1.2		1.4		1.6		1.8		2.0	
	rpm	vdc	rpm	vdc	rpm	vdc	rpm	vdc	rpm	vdc
900	—	—	—	—	—	—	—	—	—	—
975	—	—	—	—	—	—	—	—	—	—
1050	—	—	—	—	—	—	—	—	—	—
1125	—	—	—	—	—	—	—	—	—	—
1200	—	—	—	—	—	—	—	—	—	—
1275	—	—	—	—	—	—	—	—	—	—
1350	—	—	—	—	—	—	—	—	—	—
1425	—	—	—	—	—	—	—	—	—	—
1500	—	—	—	—	—	—	—	—	—	—

Standard Static 1136-1890 rpm

50FCQA04 Three Phase — Medium Static — 3 Ton Horizontal Supply (rpm - vdc)

CFM	AVAILABLE EXTERNAL STATIC PRESSURE (in. wg)									
	0.2		0.4		0.6		0.8		1.0	
	rpm	vdc	rpm	vdc	rpm	vdc	rpm	vdc	rpm	vdc
900	1036	4.7	1301	5.9	1517	6.9	1698	7.8	1855	8.5
975	1076	4.9	1330	6.1	1545	7.1	1727	7.9	1885	8.6
1050	1119	5.1	1361	6.2	1573	7.2	1756	8.0	1915	8.7
1125	1164	5.3	1395	6.4	1602	7.3	1784	8.1	1944	8.9
1200	1211	5.5	1429	6.5	1632	7.5	1812	8.3	1973	9.0
1275	1261	5.8	1466	6.7	1663	7.6	1841	8.4	2001	9.1
1350	1313	6.0	1506	6.9	1695	7.7	1870	8.5	2029	9.3
1425	1366	6.2	1548	7.1	1729	7.9	1900	8.7	2058	9.4
1500	1420	6.5	1591	7.3	1765	8.1	1932	8.8	2087	9.5

CFM	AVAILABLE EXTERNAL STATIC PRESSURE (in. wg)									
	1.2		1.4		1.6		1.8		2.0	
	rpm	vdc	rpm	vdc	rpm	vdc	rpm	vdc	rpm	vdc
900	1995	9.1	2124	9.7	—	—	—	—	—	—
975	2027	9.3	2157	9.8	—	—	—	—	—	—
1050	2058	9.4	2189	10.0	—	—	—	—	—	—
1125	2088	9.5	—	—	—	—	—	—	—	—
1200	2117	9.7	—	—	—	—	—	—	—	—
1275	2146	9.8	—	—	—	—	—	—	—	—
1350	2174	9.9	—	—	—	—	—	—	—	—
1425	—	—	—	—	—	—	—	—	—	—
1500	—	—	—	—	—	—	—	—	—	—

Medium Static 1136-2190 rpm

50FCQA04 Three Phase — High Static — 3 Ton Horizontal Supply (rpm - vdc)

CFM	AVAILABLE EXTERNAL STATIC PRESSURE (in. wg)									
	0.2		0.4		0.6		0.8		1.0	
	rpm	vdc	rpm	vdc	rpm	vdc	rpm	vdc	rpm	vdc
900	1036	4.2	1301	5.2	1517	6.1	1698	6.8	1855	7.4
975	1076	4.3	1330	5.3	1545	6.2	1727	6.9	1885	7.6
1050	1119	4.5	1361	5.5	1573	6.3	1756	7.1	1915	7.7
1125	1164	4.7	1395	5.6	1602	6.4	1784	7.2	1944	7.8
1200	1211	4.9	1429	5.7	1632	6.6	1812	7.3	1973	7.9
1275	1261	5.1	1466	5.9	1663	6.7	1841	7.4	2001	8.0
1350	1313	5.3	1506	6.0	1695	6.8	1870	7.5	2029	8.1
1425	1366	5.5	1548	6.2	1729	6.9	1900	7.6	2058	8.3
1500	1420	5.7	1591	6.4	1765	7.1	1932	7.8	2087	8.4

CFM	AVAILABLE EXTERNAL STATIC PRESSURE (in. wg)									
	1.2		1.4		1.6		1.8		2.0	
	rpm	vdc	rpm	vdc	rpm	vdc	rpm	vdc	rpm	vdc
900	1995	8.0	2124	8.5	2242	9.0	2352	9.4	2455	9.9
975	2027	8.1	2157	8.7	2276	9.1	2387	9.6	—	—
1050	2058	8.3	2189	8.8	2309	9.3	2421	9.7	—	—
1125	2088	8.4	2219	8.9	2341	9.4	2454	9.9	—	—
1200	2117	8.5	2249	9.0	2372	9.5	2485	10.0	—	—
1275	2146	8.6	2278	9.1	2401	9.6	—	—	—	—
1350	2174	8.7	2307	9.3	2431	9.8	—	—	—	—
1425	2202	8.8	2335	9.4	2460	9.9	—	—	—	—
1500	2231	9.0	2364	9.5	2488	10.0	—	—	—	—

High Static 1136-2490 rpm

50FCQC05 Single Phase — 4 Ton Horizontal Supply (rpm - bhp)

CFM	AVAILABLE EXTERNAL STATIC PRESSURE (in. wg)									
	0.2		0.4		0.6		0.8		1.0	
	rpm	bhp	rpm	bhp	rpm	bhp	rpm	bhp	rpm	bhp
1200	1066	0.13	1280	0.22	1473	0.34	1644	0.47	1798	0.61
1300	1120	0.15	1320	0.24	1506	0.36	1674	0.49	1826	0.64
1400	1177	0.17	1363	0.26	1541	0.38	1705	0.52	1856	0.67
1500	1236	0.20	1409	0.29	1579	0.41	1739	0.55	1886	0.70
1600	1297	0.23	1458	0.32	1620	0.44	1774	0.58	1918	0.73
1700	1359	0.26	1509	0.35	1663	0.47	1811	0.61	1952	0.77
1800	1423	0.30	1563	0.39	1708	0.51	1851	0.65	1987	0.81
1900	1487	0.34	1619	0.44	1756	0.56	1893	0.70	2025	0.85
2000	1552	0.38	1677	0.48	1806	0.60	1937	0.74	2064	0.90

CFM	AVAILABLE EXTERNAL STATIC PRESSURE (in. wg)									
	1.2		1.4		1.6		1.8		2.0	
	rpm	bhp	rpm	bhp	rpm	bhp	rpm	bhp	rpm	bhp
1200	1938	0.77	2069	0.93	2192	1.11	2309	1.29	2420	1.49
1300	1965	0.79	2095	0.96	2216	1.14	2331	1.33	2441	1.52
1400	1993	0.82	2121	0.99	2242	1.17	2356	1.36	—	—
1500	2023	0.86	2149	1.03	2269	1.21	2382	1.40	—	—
1600	2053	0.89	2178	1.07	2297	1.25	2409	1.45	—	—
1700	2084	0.93	2209	1.11	2326	1.30	2437	1.49	—	—
1800	2117	0.98	2239	1.15	2356	1.34	—	—	—	—
1900	2151	1.02	2272	1.20	2386	1.39	—	—	—	—
2000	2187	1.07	2305	1.25	2418	1.45	—	—	—	—

Standard Static 1066-1900 rpm, 0.72 max bhp

Medium Static 1066-2170 rpm, 1.06 max bhp

High Static 1066-2460 rpm, 1.53 max bhp

50FCQC05 Single Phase — Standard Static — 4 Ton Horizontal Supply (Rpm - vdc)

CFM	AVAILABLE EXTERNAL STATIC PRESSURE (in. wg)									
	0.2		0.4		0.6		0.8		1.0	
	rpm	vdc	rpm	vdc	rpm	vdc	rpm	vdc	rpm	vdc
1200	1066	5.6	1280	6.7	1473	7.8	1644	8.7	1798	9.5
1300	1120	5.9	1320	6.9	1506	7.9	1674	8.8	1826	9.6
1400	1177	6.2	1363	7.2	1541	8.1	1705	9.0	1856	9.8
1500	1236	6.5	1409	7.4	1579	8.3	1739	9.2	1886	9.9
1600	1297	6.8	1458	7.7	1620	8.5	1774	9.3	—	—
1700	1359	7.2	1509	7.9	1663	8.8	1811	9.5	—	—
1800	1423	7.5	1563	8.2	1708	9.0	1851	9.7	—	—
1900	1487	7.8	1619	8.5	1756	9.2	1893	10.0	—	—
2000	1552	8.2	1677	8.8	1806	9.5	—	—	—	—

CFM	AVAILABLE EXTERNAL STATIC PRESSURE (in. wg)									
	1.2		1.4		1.6		1.8		2.0	
	rpm	vdc	rpm	vdc	rpm	vdc	rpm	vdc	rpm	vdc
1200	—	—	—	—	—	—	—	—	—	—
1300	—	—	—	—	—	—	—	—	—	—
1400	—	—	—	—	—	—	—	—	—	—
1500	—	—	—	—	—	—	—	—	—	—
1600	—	—	—	—	—	—	—	—	—	—
1700	—	—	—	—	—	—	—	—	—	—
1800	—	—	—	—	—	—	—	—	—	—
1900	—	—	—	—	—	—	—	—	—	—
2000	—	—	—	—	—	—	—	—	—	—

Standard Static 1066-1900 rpm

50FCQC05 Single Phase — Medium Static — 4 Ton Horizontal Supply (rpm - vdc)

CFM	AVAILABLE EXTERNAL STATIC PRESSURE (in. wg)									
	0.2		0.4		0.6		0.8		1.0	
	rpm	vdc	rpm	vdc	rpm	vdc	rpm	vdc	rpm	vdc
1200	1066	4.9	1280	5.9	1473	6.8	1644	7.6	1798	8.3
1300	1120	5.2	1320	6.1	1506	6.9	1674	7.7	1826	8.4
1400	1177	5.4	1363	6.3	1541	7.1	1705	7.9	1856	8.6
1500	1236	5.7	1409	6.5	1579	7.3	1739	8.0	1886	8.7
1600	1297	6.0	1458	6.7	1620	7.5	1774	8.2	1918	8.8
1700	1359	6.3	1509	7.0	1663	7.7	1811	8.3	1952	9.0
1800	1423	6.6	1563	7.2	1708	7.9	1851	8.5	1987	9.2
1900	1487	6.9	1619	7.5	1756	8.1	1893	8.7	2025	9.3
2000	1552	7.2	1677	7.7	1806	8.3	1937	8.9	2064	9.5

CFM	AVAILABLE EXTERNAL STATIC PRESSURE (in. wg)									
	1.2		1.4		1.6		1.8		2.0	
	rpm	vdc	rpm	vdc	rpm	vdc	rpm	vdc	rpm	vdc
1200	1938	8.9	2069	9.5	—	—	—	—	—	—
1300	1965	9.1	2095	9.7	—	—	—	—	—	—
1400	1993	9.2	2121	9.8	—	—	—	—	—	—
1500	2023	9.3	2149	9.9	—	—	—	—	—	—
1600	2053	9.5	—	—	—	—	—	—	—	—
1700	2084	9.6	—	—	—	—	—	—	—	—
1800	2117	9.8	—	—	—	—	—	—	—	—
1900	2151	9.9	—	—	—	—	—	—	—	—
2000	—	—	—	—	—	—	—	—	—	—

Medium Static 1066-2170 rpm

50FCQC05 Single Phase — High Static — 4 Ton Horizontal Supply (rpm - vdc)

CFM	AVAILABLE EXTERNAL STATIC PRESSURE (in. wg)									
	0.2		0.4		0.6		0.8		1.0	
	rpm	vdc	rpm	vdc	rpm	vdc	rpm	vdc	rpm	vdc
1200	1066	4.3	1280	5.2	1473	6.0	1644	6.7	1798	7.3
1300	1120	4.6	1320	5.4	1506	6.1	1674	6.8	1826	7.4
1400	1177	4.8	1363	5.5	1541	6.3	1705	6.9	1856	7.5
1500	1236	5.0	1409	5.7	1579	6.4	1739	7.1	1886	7.7
1600	1297	5.3	1458	5.9	1620	6.6	1774	7.2	1918	7.8
1700	1359	5.5	1509	6.1	1663	6.8	1811	7.4	1952	7.9
1800	1423	5.8	1563	6.4	1708	6.9	1851	7.5	1987	8.1
1900	1487	6.0	1619	6.6	1756	7.1	1893	7.7	2025	8.2
2000	1552	6.3	1677	6.8	1806	7.3	1937	7.9	2064	8.4

CFM	AVAILABLE EXTERNAL STATIC PRESSURE (in. wg)									
	1.2		1.4		1.6		1.8		2.0	
	rpm	vdc	rpm	vdc	rpm	vdc	rpm	vdc	rpm	vdc
1200	1938	7.9	2069	8.4	2192	8.9	2309	9.4	2420	9.8
1300	1965	8.0	2095	8.5	2216	9.0	2331	9.5	2441	9.9
1400	1993	8.1	2121	8.6	2242	9.1	2356	9.6	—	—
1500	2023	8.2	2149	8.7	2269	9.2	2382	9.7	—	—
1600	2053	8.3	2178	8.9	2297	9.3	2409	9.8	—	—
1700	2084	8.5	2209	9.0	2326	9.5	2437	9.9	—	—
1800	2117	8.6	2239	9.1	2356	9.6	—	—	—	—
1900	2151	8.7	2272	9.2	2386	9.7	—	—	—	—
2000	2187	8.9	2305	9.4	2418	9.8	—	—	—	—

High Static 1066-2460 rpm

50FCQA05 Three Phase — 4 Ton Horizontal Supply (rpm - bhp)

CFM	AVAILABLE EXTERNAL STATIC PRESSURE (in. wg)									
	0.2		0.4		0.6		0.8		1.0	
	rpm	bhp	rpm	bhp	rpm	bhp	rpm	bhp	rpm	bhp
1200	1067	0.13	1280	0.22	1473	0.34	1645	0.47	1798	0.61
1300	1121	0.15	1320	0.24	1506	0.36	1675	0.49	1827	0.64
1400	1177	0.17	1363	0.26	1542	0.38	1706	0.52	1856	0.67
1500	1237	0.20	1409	0.29	1579	0.41	1739	0.55	1887	0.70
1600	1297	0.23	1458	0.32	1620	0.44	1774	0.58	1919	0.73
1700	1359	0.26	1510	0.35	1663	0.47	1811	0.61	1952	0.77
1800	1423	0.30	1563	0.39	1708	0.51	1851	0.65	1988	0.81
1900	1487	0.34	1619	0.44	1756	0.56	1893	0.70	2025	0.85
2000	1552	0.38	1677	0.48	1807	0.60	1937	0.74	2064	0.90

CFM	AVAILABLE EXTERNAL STATIC PRESSURE (in. wg)									
	1.2		1.4		1.6		1.8		2.0	
	rpm	bhp	rpm	bhp	rpm	bhp	rpm	bhp	rpm	bhp
1200	1939	0.77	2070	0.93	2192	1.11	2309	1.29	2420	1.49
1300	1965	0.79	2095	0.96	2217	1.14	2332	1.33	2442	1.52
1400	1993	0.82	2121	0.99	2242	1.17	2356	1.36	2465	1.56
1500	2022	0.86	2149	1.03	2269	1.21	2382	1.40	2490	1.60
1600	2053	0.89	2178	1.07	2297	1.25	2409	1.45	2516	1.65
1700	2085	0.93	2208	1.11	2326	1.30	2437	1.49	2543	1.69
1800	2117	0.98	2240	1.16	2356	1.34	2466	1.54	2571	1.75
1900	2152	1.02	2272	1.20	2386	1.39	2496	1.59	2600	1.80
2000	2188	1.07	2306	1.25	2418	1.45	2526	1.65	2630	1.86

Standard Static 1067-1900 rpm, 0.72 max bhp

Medium Static 1067-2170 rpm, 1.06 max bhp

High Static 101672660 rpm, 1.96 max bhp

50FCQA05 Three Phase — Standard Static — 4 Ton Horizontal Supply (rpm - vdc)

CFM	AVAILABLE EXTERNAL STATIC PRESSURE (in. wg)									
	0.2		0.4		0.6		0.8		1.0	
	rpm	vdc	rpm	vdc	rpm	vdc	rpm	vdc	rpm	vdc
1200	1067	5.6	1280	6.7	1473	7.8	1645	8.7	1798	9.5
1300	1121	5.9	1320	6.9	1506	7.9	1675	8.8	1827	9.6
1400	1177	6.2	1363	7.2	1542	8.1	1706	9.0	1856	9.8
1500	1237	6.5	1409	7.4	1579	8.3	1739	9.2	1887	9.9
1600	1297	6.8	1458	7.7	1620	8.5	1774	9.3	—	—
1700	1359	7.2	1510	7.9	1663	8.8	1811	9.5	—	—
1800	1423	7.5	1563	8.2	1708	9.0	1851	9.7	—	—
1900	1487	7.8	1619	8.5	1756	9.2	1893	10.0	—	—
2000	1552	8.2	1677	8.8	1807	9.5	—	—	—	—

CFM	AVAILABLE EXTERNAL STATIC PRESSURE (in. wg)									
	1.2		1.4		1.6		1.8		2.0	
	rpm	vdc	rpm	vdc	rpm	vdc	rpm	vdc	rpm	vdc
1200	—	—	—	—	—	—	—	—	—	—
1300	—	—	—	—	—	—	—	—	—	—
1400	—	—	—	—	—	—	—	—	—	—
1500	—	—	—	—	—	—	—	—	—	—
1600	—	—	—	—	—	—	—	—	—	—
1700	—	—	—	—	—	—	—	—	—	—
1800	—	—	—	—	—	—	—	—	—	—
1900	—	—	—	—	—	—	—	—	—	—
2000	—	—	—	—	—	—	—	—	—	—

Standard Static 1067-1900 rpm

50FCQA05 Three Phase — Medium Static — 4 Ton Horizontal Supply (rpm - vdc)

CFM	AVAILABLE EXTERNAL STATIC PRESSURE (in. wg)									
	0.2		0.4		0.6		0.8		1.0	
	rpm	vdc	rpm	vdc	rpm	vdc	rpm	vdc	rpm	vdc
1200	1067	4.9	1280	5.9	1473	6.8	1645	7.6	1798	8.3
1300	1121	5.2	1320	6.1	1506	6.9	1675	7.7	1827	8.4
1400	1177	5.4	1363	6.3	1542	7.1	1706	7.9	1856	8.6
1500	1237	5.7	1409	6.5	1579	7.3	1739	8.0	1887	8.7
1600	1297	6.0	1458	6.7	1620	7.5	1774	8.2	1919	8.8
1700	1359	6.3	1510	7.0	1663	7.7	1811	8.3	1952	9.0
1800	1423	6.6	1563	7.2	1708	7.9	1851	8.5	1988	9.2
1900	1487	6.9	1619	7.5	1756	8.1	1893	8.7	2025	9.3
2000	1552	7.2	1677	7.7	1807	8.3	1937	8.9	2064	9.5

CFM	AVAILABLE EXTERNAL STATIC PRESSURE (in. wg)									
	1.2		1.4		1.6		1.8		2.0	
	rpm	vdc	rpm	vdc	rpm	vdc	rpm	vdc	rpm	vdc
1200	1939	8.9	2070	9.5	—	—	—	—	—	—
1300	1965	9.1	2095	9.7	—	—	—	—	—	—
1400	1993	9.2	2121	9.8	—	—	—	—	—	—
1500	2022	9.3	2149	9.9	—	—	—	—	—	—
1600	2053	9.5	—	—	—	—	—	—	—	—
1700	2085	9.6	—	—	—	—	—	—	—	—
1800	2117	9.8	—	—	—	—	—	—	—	—
1900	2152	9.9	—	—	—	—	—	—	—	—
2000	—	—	—	—	—	—	—	—	—	—

Medium Static 1067-2170 rpm

50FCQA05 Three Phase — High Static — 4 Ton Horizontal Supply (rpm - vdc)

CFM	AVAILABLE EXTERNAL STATIC PRESSURE (in. wg)									
	0.2		0.4		0.6		0.8		1.0	
	rpm	vdc	rpm	vdc	rpm	vdc	rpm	vdc	rpm	vdc
1200	1067	4.0	1280	4.8	1473	5.5	1645	6.2	1798	6.8
1300	1121	4.2	1320	5.0	1506	5.7	1675	6.3	1827	6.9
1400	1177	4.4	1363	5.1	1542	5.8	1706	6.4	1856	7.0
1500	1237	4.7	1409	5.3	1579	5.9	1739	6.5	1887	7.1
1600	1297	4.9	1458	5.5	1620	6.1	1774	6.7	1919	7.2
1700	1359	5.1	1510	5.7	1663	6.3	1811	6.8	1952	7.3
1800	1423	5.3	1563	5.9	1708	6.4	1851	7.0	1988	7.5
1900	1487	5.6	1619	6.1	1756	6.6	1893	7.1	2025	7.6
2000	1552	5.8	1677	6.3	1807	6.8	1937	7.3	2064	7.8

CFM	AVAILABLE EXTERNAL STATIC PRESSURE (in. wg)									
	1.2		1.4		1.6		1.8		2.0	
	rpm	vdc	rpm	vdc	rpm	vdc	rpm	vdc	rpm	vdc
1200	1939	7.3	2070	7.8	2192	8.2	2309	8.7	2420	9.1
1300	1965	7.4	2095	7.9	2217	8.3	2332	8.8	2442	9.2
1400	1993	7.5	2121	8.0	2242	8.4	2356	8.9	2465	9.3
1500	2022	7.6	2149	8.1	2269	8.5	2382	9.0	2490	9.4
1600	2053	7.7	2178	8.2	2297	8.6	2409	9.1	2516	9.5
1700	2085	7.8	2208	8.3	2326	8.7	2437	9.2	2543	9.6
1800	2117	8.0	2240	8.4	2356	8.9	2466	9.3	2571	9.7
1900	2152	8.1	2272	8.5	2386	9.0	2496	9.4	2600	9.8
2000	2188	8.2	2306	8.7	2418	9.1	2526	9.5	2630	9.9

High Static 1067-2660 rpm

50FCQA06 Single Phase — 5 Ton Horizontal Supply (rpm - bhp)

CFM	AVAILABLE EXTERNAL STATIC PRESSURE (in. wg)									
	0.2		0.4		0.6		0.8		1.0	
	rpm	bhp	rpm	bhp	rpm	bhp	rpm	bhp	rpm	bhp
1500	1197	0.18	1360	0.26	1525	0.37	1679	0.49	1822	0.62
1625	1271	0.21	1421	0.29	1574	0.40	1721	0.52	1860	0.66
1750	1348	0.25	1485	0.33	1627	0.44	1767	0.56	1901	0.70
1875	1425	0.29	1553	0.38	1684	0.49	1817	0.61	1945	0.75
2000	1504	0.35	1623	0.43	1745	0.54	1870	0.66	1992	0.80
2125	1585	0.40	1695	0.49	1809	0.60	1926	0.72	2043	0.86
2250	1666	0.47	1769	0.56	1876	0.67	1986	0.79	2096	0.93
2375	1747	0.54	1844	0.63	1945	0.74	2049	0.87	2153	1.01
2500	1830	0.62	1921	0.71	2016	0.82	2114	0.95	2213	1.09

CFM	AVAILABLE EXTERNAL STATIC PRESSURE (in. wg)									
	1.2		1.4		1.6		1.8		2.0	
	rpm	bhp	rpm	bhp	rpm	bhp	rpm	bhp	rpm	bhp
1500	1954	0.77	2078	0.92	2194	1.09	2304	1.26	—	—
1625	1990	0.81	2112	0.97	2227	1.13	2336	1.31	—	—
1750	2028	0.85	2148	1.01	2262	1.18	2370	1.36	—	—
1875	2069	0.90	2186	1.06	2298	1.23	—	—	—	—
2000	2111	0.95	2226	1.12	2336	1.29	—	—	—	—
2125	2157	1.02	2268	1.18	2375	1.36	—	—	—	—
2250	2206	1.08	2313	1.25	—	—	—	—	—	—
2375	2258	1.16	2361	1.33	—	—	—	—	—	—
2500	2312	1.24	—	—	—	—	—	—	—	—

Standard Static 1197-2150 rpm, 1.06 max bhp

Medium Static 1197-2390 rpm, 1.44 max bhp

50FCQA06 Single Phase — Standard Static — 5 Ton Horizontal Supply (rpm - vdc)

CFM	AVAILABLE EXTERNAL STATIC PRESSURE (in. wg)									
	0.2		0.4		0.6		0.8		1.0	
	rpm	vdc	rpm	vdc	rpm	vdc	rpm	vdc	rpm	vdc
1500	1197	5.6	1360	6.3	1525	7.1	1679	7.8	1822	8.5
1625	1271	5.9	1421	6.6	1574	7.3	1721	8.0	1860	8.7
1750	1348	6.3	1485	6.9	1627	7.6	1767	8.2	1901	8.8
1875	1425	6.6	1553	7.2	1684	7.8	1817	8.5	1945	9.0
2000	1504	7.0	1623	7.5	1745	8.1	1870	8.7	1992	9.3
2125	1585	7.4	1695	7.9	1809	8.4	1926	9.0	2043	9.5
2250	1666	7.7	1769	8.2	1876	8.7	1986	9.2	2096	9.7
2375	1747	8.1	1844	8.6	1945	9.0	2049	9.5	—	—
2500	1830	8.5	1921	8.9	2016	9.4	2114	9.8	—	—

CFM	AVAILABLE EXTERNAL STATIC PRESSURE (in. wg)									
	1.2		1.4		1.6		1.8		2.0	
	rpm	vdc	rpm	vdc	rpm	vdc	rpm	vdc	rpm	vdc
1500	1954	9.1	2078	9.7	—	—	—	—	—	—
1625	1990	9.3	2112	9.8	—	—	—	—	—	—
1750	2028	9.4	2148	10.0	—	—	—	—	—	—
1875	2069	9.6	—	—	—	—	—	—	—	—
2000	2111	9.8	—	—	—	—	—	—	—	—
2125	—	—	—	—	—	—	—	—	—	—
2250	—	—	—	—	—	—	—	—	—	—
2375	—	—	—	—	—	—	—	—	—	—
2500	—	—	—	—	—	—	—	—	—	—

Standard Static 1197-2150 rpm

50FCQA06 Single Phase — Medium Static — 5 Ton Horizontal Supply (rpm - vdc)

CFM	AVAILABLE EXTERNAL STATIC PRESSURE (in. wg)									
	0.2		0.4		0.6		0.8		1.0	
	rpm	vdc	rpm	vdc	rpm	vdc	rpm	vdc	rpm	vdc
1500	1197	5.0	1360	5.7	1525	6.4	1679	7.0	1822	7.6
1625	1271	5.3	1421	5.9	1574	6.6	1721	7.2	1860	7.8
1750	1348	5.6	1485	6.2	1627	6.8	1767	7.4	1901	8.0
1875	1425	6.0	1553	6.5	1684	7.0	1817	7.6	1945	8.1
2000	1504	6.3	1623	6.8	1745	7.3	1870	7.8	1992	8.3
2125	1585	6.6	1695	7.1	1809	7.6	1926	8.1	2043	8.5
2250	1666	7.0	1769	7.4	1876	7.8	1986	8.3	2096	8.8
2375	1747	7.3	1844	7.7	1945	8.1	2049	8.6	2153	9.0
2500	1830	7.7	1921	8.0	2016	8.4	2114	8.8	2213	9.3

CFM	AVAILABLE EXTERNAL STATIC PRESSURE (in. wg)									
	1.2		1.4		1.6		1.8		2.0	
	rpm	vdc	rpm	vdc	rpm	vdc	rpm	vdc	rpm	vdc
1500	1954	8.2	2078	8.7	2194	9.2	2304	9.6	—	—
1625	1990	8.3	2112	8.8	2227	9.3	2336	9.8	—	—
1750	2028	8.5	2148	9.0	2262	9.5	2370	9.9	—	—
1875	2069	8.7	2186	9.1	2298	9.6	—	—	—	—
2000	2111	8.8	2226	9.3	2336	9.8	—	—	—	—
2125	2157	9.0	2268	9.5	2375	9.9	—	—	—	—
2250	2206	9.2	2313	9.7	—	—	—	—	—	—
2375	2258	9.4	2361	9.9	—	—	—	—	—	—
2500	2312	9.7	—	—	—	—	—	—	—	—

Medium Static 1197-2390 rpm

50FCQA06 Three Phase — 5 Ton Horizontal Supply (rpm - bhp)

CFM	AVAILABLE EXTERNAL STATIC PRESSURE (in. wg)									
	0.2		0.4		0.6		0.8		1.0	
	rpm	bhp	rpm	bhp	rpm	bhp	rpm	bhp	rpm	bhp
1500	1196	0.18	1360	0.26	1525	0.37	1679	0.49	1822	0.62
1625	1271	0.21	1421	0.29	1574	0.40	1721	0.52	1860	0.66
1750	1348	0.25	1485	0.33	1627	0.44	1767	0.56	1901	0.70
1875	1425	0.29	1553	0.38	1684	0.49	1817	0.61	1945	0.75
2000	1504	0.35	1622	0.43	1745	0.54	1870	0.66	1993	0.80
2125	1585	0.40	1695	0.49	1809	0.60	1926	0.72	2043	0.86
2250	1666	0.47	1769	0.56	1876	0.67	1986	0.79	2096	0.93
2375	1747	0.54	1844	0.63	1945	0.74	2049	0.87	2153	1.01
2500	1829	0.62	1921	0.71	2016	0.82	2114	0.95	2213	1.09

CFM	AVAILABLE EXTERNAL STATIC PRESSURE (in. wg)									
	1.2		1.4		1.6		1.8		2.0	
	rpm	bhp	rpm	bhp	rpm	bhp	rpm	bhp	rpm	bhp
1500	1954	0.77	2078	0.92	2194	1.09	2304	1.26	2408	1.44
1625	1990	0.81	2112	0.97	2227	1.13	2336	1.31	2439	1.49
1750	2028	0.85	2148	1.01	2262	1.18	2370	1.36	2472	1.54
1875	2069	0.90	2186	1.06	2298	1.23	2404	1.41	2506	1.60
2000	2112	0.96	2226	1.12	2336	1.29	2441	1.48	2541	1.66
2125	2157	1.02	2268	1.18	2376	1.36	2479	1.54	2578	1.73
2250	2206	1.08	2313	1.25	2418	1.43	2518	1.61	2616	1.81
2375	2258	1.16	2361	1.33	2462	1.50	2560	1.69	2656	1.89
2500	2312	1.24	2411	1.41	2508	1.59	2604	1.78	2698	1.97

- Standard Static 1196-2150 rpm, 1.06 max bhp
- Medium Static 1196-2390 rpm, 1.44 max bhp
- High Static 1196-2836 rpm, 2.43 max bhp

50FCQA06 Three Phase — Standard Static — 5 Ton Horizontal Supply (rpm - vdc)

CFM	AVAILABLE EXTERNAL STATIC PRESSURE (in. wg)									
	0.2		0.4		0.6		0.8		1.0	
	rpm	vdc	rpm	vdc	rpm	vdc	rpm	vdc	rpm	vdc
1500	1196	5.6	1360	6.3	1525	7.1	1679	7.8	1822	8.5
1625	1271	5.9	1421	6.6	1574	7.3	1721	8.0	1860	8.7
1750	1348	6.3	1485	6.9	1627	7.6	1767	8.2	1901	8.8
1875	1425	6.6	1553	7.2	1684	7.8	1817	8.5	1945	9.0
2000	1504	7.0	1622	7.5	1745	8.1	1870	8.7	1993	9.3
2125	1585	7.4	1695	7.9	1809	8.4	1926	9.0	2043	9.5
2250	1666	7.7	1769	8.2	1876	8.7	1986	9.2	2096	9.7
2375	1747	8.1	1844	8.6	1945	9.0	2049	9.5	—	—
2500	1829	8.5	1921	8.9	2016	9.4	2114	9.8	—	—

CFM	AVAILABLE EXTERNAL STATIC PRESSURE (in. wg)									
	1.2		1.4		1.6		1.8		2.0	
	rpm	vdc	rpm	vdc	rpm	vdc	rpm	vdc	rpm	vdc
1500	1954	9.1	2078	9.7	—	—	—	—	—	—
1625	1990	9.3	2112	9.8	—	—	—	—	—	—
1750	2028	9.4	2148	10.0	—	—	—	—	—	—
1875	2069	9.6	—	—	—	—	—	—	—	—
2000	2112	9.8	—	—	—	—	—	—	—	—
2125	—	—	—	—	—	—	—	—	—	—
2250	—	—	—	—	—	—	—	—	—	—
2375	—	—	—	—	—	—	—	—	—	—
2500	—	—	—	—	—	—	—	—	—	—

- Standard Static 1196-2150 rpm

50FCQA06 Three Phase — Medium Static — 5 Ton Horizontal Supply (rpm - vdc)

CFM	AVAILABLE EXTERNAL STATIC PRESSURE (in. wg)									
	0.2		0.4		0.6		0.8		1.0	
	rpm	vdc	rpm	vdc	rpm	vdc	rpm	vdc	rpm	vdc
1500	1196	5.0	1360	5.7	1525	6.4	1679	7.0	1822	7.6
1625	1271	5.3	1421	5.9	1574	6.6	1721	7.2	1860	7.8
1750	1348	5.6	1485	6.2	1627	6.8	1767	7.4	1901	8.0
1875	1425	6.0	1553	6.5	1684	7.0	1817	7.6	1945	8.1
2000	1504	6.3	1622	6.8	1745	7.3	1870	7.8	1993	8.3
2125	1585	6.6	1695	7.1	1809	7.6	1926	8.1	2043	8.5
2250	1666	7.0	1769	7.4	1876	7.8	1986	8.3	2096	8.8
2375	1747	7.3	1844	7.7	1945	8.1	2049	8.6	2153	9.0
2500	1829	7.7	1921	8.0	2016	8.4	2114	8.8	2213	9.3

CFM	AVAILABLE EXTERNAL STATIC PRESSURE (in. wg)									
	1.2		1.4		1.6		1.8		2.0	
	rpm	vdc	rpm	vdc	rpm	vdc	rpm	vdc	rpm	vdc
1500	1954	8.2	2078	8.7	2194	9.2	2304	9.6	—	—
1625	1990	8.3	2112	8.8	2227	9.3	2336	9.8	—	—
1750	2028	8.5	2148	9.0	2262	9.5	2370	9.9	—	—
1875	2069	8.7	2186	9.1	2298	9.6	—	—	—	—
2000	2112	8.8	2226	9.3	2336	9.8	—	—	—	—
2125	2157	9.0	2268	9.5	2376	9.9	—	—	—	—
2250	2206	9.2	2313	9.7	—	—	—	—	—	—
2375	2258	9.4	2361	9.9	—	—	—	—	—	—
2500	2312	9.7	—	—	—	—	—	—	—	—

Medium Static 1196-2390 rpm

50FCQA06 Three Phase — High Static — 5 Ton Horizontal Supply (rpm - vdc)

CFM	AVAILABLE EXTERNAL STATIC PRESSURE (in. wg)									
	0.2		0.4		0.6		0.8		1.0	
	rpm	vdc	rpm	vdc	rpm	vdc	rpm	vdc	rpm	vdc
1500	1196	4.2	1360	4.8	1525	5.4	1679	5.9	1822	6.4
1625	1271	4.5	1421	5.0	1574	5.6	1721	6.1	1860	6.6
1750	1348	4.8	1485	5.2	1627	5.7	1767	6.2	1901	6.7
1875	1425	5.0	1553	5.5	1684	5.9	1817	6.4	1945	6.9
2000	1504	5.3	1622	5.7	1745	6.2	1870	6.6	1993	7.0
2125	1585	5.6	1695	6.0	1809	6.4	1926	6.8	2043	7.2
2250	1666	5.9	1769	6.2	1876	6.6	1986	7.0	2096	7.4
2375	1747	6.2	1844	6.5	1945	6.9	2049	7.2	2153	7.6
2500	1829	6.4	1921	6.8	2016	7.1	2114	7.5	2213	7.8

CFM	AVAILABLE EXTERNAL STATIC PRESSURE (in. wg)									
	1.2		1.4		1.6		1.8		2.0	
	rpm	vdc	rpm	vdc	rpm	vdc	rpm	vdc	rpm	vdc
1500	1954	6.9	2078	7.3	2194	7.7	2304	8.1	2408	8.5
1625	1990	7.0	2112	7.4	2227	7.9	2336	8.2	2439	8.6
1750	2028	7.2	2148	7.6	2262	8.0	2370	8.4	2472	8.7
1875	2069	7.3	2186	7.7	2298	8.1	2404	8.5	2506	8.8
2000	2112	7.4	2226	7.8	2336	8.2	2441	8.6	2541	9.0
2125	2157	7.6	2268	8.0	2376	8.4	2479	8.7	2578	9.1
2250	2206	7.8	2313	8.2	2418	8.5	2518	8.9	2616	9.2
2375	2258	8.0	2361	8.3	2462	8.7	2560	9.0	2656	9.4
2500	2312	8.2	2411	8.5	2508	8.8	2604	9.2	2698	9.5

High Static 1196-2836 rpm

50FCQM07 Three Phase — 6 Ton Horizontal Supply (rpm - bhp)

CFM	AVAILABLE EXTERNAL STATIC PRESSURE (in. wg)									
	0.2		0.4		0.6		0.8		1.0	
	rpm	bhp	rpm	bhp	rpm	bhp	rpm	bhp	rpm	bhp
1800	1378	0.27	1512	0.35	1649	0.46	1786	0.58	1918	0.72
1950	1473	0.32	1594	0.41	1721	0.52	1848	0.64	1973	0.78
2100	1569	0.39	1680	0.48	1796	0.59	1915	0.71	2032	0.85
2250	1666	0.47	1769	0.56	1876	0.67	1986	0.79	2096	0.93
2400	1764	0.55	1860	0.65	1959	0.76	2061	0.88	2165	1.02
2550	1863	0.65	1952	0.75	2045	0.86	2140	0.99	2237	1.13
2700	1962	0.76	2046	0.86	2133	0.97	2222	1.10	2313	1.24
2850	2062	0.88	2141	0.98	2223	1.10	2307	1.23	2392	1.37
3000	2163	1.01	2238	1.12	2315	1.24	2394	1.37	2474	1.52

CFM	AVAILABLE EXTERNAL STATIC PRESSURE (in. wg)									
	1.2		1.4		1.6		1.8		2.0	
	rpm	bhp	rpm	bhp	rpm	bhp	rpm	bhp	rpm	bhp
1800	2044	0.87	2163	1.03	2276	1.20	2383	1.38	2486	1.57
1950	2094	0.93	2210	1.10	2320	1.27	2426	1.45	2527	1.64
2100	2148	1.00	2259	1.17	2367	1.34	2471	1.53	2570	1.72
2250	2206	1.08	2313	1.25	2417	1.43	2518	1.61	2616	1.81
2400	2268	1.18	2370	1.34	2471	1.52	2568	1.71	2664	1.90
2550	2335	1.28	2432	1.45	2528	1.62	2622	1.81	2714	2.01
2700	2405	1.40	2497	1.56	2589	1.74	2679	1.93	2768	2.13
2850	2479	1.53	2566	1.69	2653	1.87	2740	2.06	2826	2.26
3000	2556	1.67	2639	1.84	2722	2.02	2804	2.21	—	—

Standard Static 1378-2300 rpm, 1.31 max bhp

Medium Static 1378-2530 rpm, 1.76 max bhp

High Static 1378-2836 rpm, 2.43 max bhp

50FCQM07 Three Phase — Standard Static — 6 Ton Horizontal Supply (rpm - vdc)

CFM	AVAILABLE EXTERNAL STATIC PRESSURE (in. wg)									
	0.2		0.4		0.6		0.8		1.0	
	rpm	vdc	rpm	vdc	rpm	vdc	rpm	vdc	rpm	vdc
1800	1378	6.0	1512	6.6	1649	7.2	1786	7.8	1918	8.3
1950	1473	6.4	1594	6.9	1721	7.5	1848	8.0	1973	8.6
2100	1569	6.8	1680	7.3	1796	7.8	1915	8.3	2032	8.8
2250	1666	7.2	1769	7.7	1876	8.2	1986	8.6	2096	9.1
2400	1764	7.7	1860	8.1	1959	8.5	2061	9.0	2165	9.4
2550	1863	8.1	1952	8.5	2045	8.9	2140	9.3	2237	9.7
2700	1962	8.5	2046	8.9	2133	9.3	2222	9.7	—	—
2850	2062	9.0	2141	9.3	2223	9.7	—	—	—	—
3000	2163	9.4	2238	9.7	—	—	—	—	—	—

CFM	AVAILABLE EXTERNAL STATIC PRESSURE (in. wg)									
	1.2		1.4		1.6		1.8		2.0	
	rpm	vdc	rpm	vdc	rpm	vdc	rpm	vdc	rpm	vdc
1800	2044	8.9	2163	9.4	2276	9.9	—	—	—	—
1950	2094	9.1	2210	9.6	—	—	—	—	—	—
2100	2148	9.3	2259	9.8	—	—	—	—	—	—
2250	2206	9.6	—	—	—	—	—	—	—	—
2400	2268	9.9	—	—	—	—	—	—	—	—
2550	—	—	—	—	—	—	—	—	—	—
2700	—	—	—	—	—	—	—	—	—	—
2850	—	—	—	—	—	—	—	—	—	—
3000	—	—	—	—	—	—	—	—	—	—

Standard Static 1378-2300 rpm

50FCQM07 Three Phase — Medium Static — 6 Ton Horizontal Supply (rpm - vdc)

CFM	AVAILABLE EXTERNAL STATIC PRESSURE (in. wg)									
	0.2		0.4		0.6		0.8		1.0	
	rpm	vdc	rpm	vdc	rpm	vdc	rpm	vdc	rpm	vdc
1800	1378	5.4	1512	6.0	1649	6.5	1786	7.1	1918	7.6
1950	1473	5.8	1594	6.3	1721	6.8	1848	7.3	1973	7.8
2100	1569	6.2	1680	6.6	1796	7.1	1915	7.6	2032	8.0
2250	1666	6.6	1769	7.0	1876	7.4	1986	7.8	2096	8.3
2400	1764	7.0	1860	7.4	1959	7.7	2061	8.1	2165	8.6
2550	1863	7.4	1952	7.7	2045	8.1	2140	8.5	2237	8.8
2700	1962	7.8	2046	8.1	2133	8.4	2222	8.8	2313	9.1
2850	2062	8.2	2141	8.5	2223	8.8	2307	9.1	2392	9.5
3000	2163	8.5	2238	8.8	2315	9.2	2394	9.5	2474	9.8

CFM	AVAILABLE EXTERNAL STATIC PRESSURE (in. wg)									
	1.2		1.4		1.6		1.8		2.0	
	rpm	vdc	rpm	vdc	rpm	vdc	rpm	vdc	rpm	vdc
1800	2044	8.1	2163	8.5	2276	9.0	2383	9.4	2486	9.8
1950	2094	8.3	2210	8.7	2320	9.2	2426	9.6	2527	10.0
2100	2148	8.5	2259	8.9	2367	9.4	2471	9.8	—	—
2250	2206	8.7	2313	9.1	2417	9.6	2518	10.0	—	—
2400	2268	9.0	2370	9.4	2471	9.8	—	—	—	—
2550	2335	9.2	2432	9.6	2528	10.0	—	—	—	—
2700	2405	9.5	2497	9.9	—	—	—	—	—	—
2850	2479	9.8	—	—	—	—	—	—	—	—
3000	—	—	—	—	—	—	—	—	—	—

Medium Static 1378-2530 rpm

50FCQM07 Three Phase — High Static — 6 Ton Horizontal Supply (rpm - vdc)

CFM	AVAILABLE EXTERNAL STATIC PRESSURE (in. wg)									
	0.2		0.4		0.6		0.8		1.0	
	rpm	vdc	rpm	vdc	rpm	vdc	rpm	vdc	rpm	vdc
1800	1378	4.9	1512	5.3	1649	5.8	1786	6.3	1918	6.8
1950	1473	5.2	1594	5.6	1721	6.1	1848	6.5	1973	7.0
2100	1569	5.5	1680	5.9	1796	6.3	1915	6.8	2032	7.2
2250	1666	5.9	1769	6.2	1876	6.6	1986	7.0	2096	7.4
2400	1764	6.2	1860	6.6	1959	6.9	2061	7.3	2165	7.6
2550	1863	6.6	1952	6.9	2045	7.2	2140	7.5	2237	7.9
2700	1962	6.9	2046	7.2	2133	7.5	2222	7.8	2313	8.2
2850	2062	7.3	2141	7.5	2223	7.8	2307	8.1	2392	8.4
3000	2163	7.6	2238	7.9	2315	8.2	2394	8.4	2474	8.7

CFM	AVAILABLE EXTERNAL STATIC PRESSURE (in. wg)									
	1.2		1.4		1.6		1.8		2.0	
	rpm	vdc	rpm	vdc	rpm	vdc	rpm	vdc	rpm	vdc
1800	2044	7.2	2163	7.6	2276	8.0	2383	8.4	2486	8.8
1950	2094	7.4	2210	7.8	2320	8.2	2426	8.6	2527	8.9
2100	2148	7.6	2259	8.0	2367	8.3	2471	8.7	2570	9.1
2250	2206	7.8	2313	8.2	2417	8.5	2518	8.9	2616	9.2
2400	2268	8.0	2370	8.4	2471	8.7	2568	9.1	2664	9.4
2550	2335	8.2	2432	8.6	2528	8.9	2622	9.2	2714	9.6
2700	2405	8.5	2497	8.8	2589	9.1	2679	9.4	2768	9.8
2850	2479	8.7	2566	9.0	2653	9.4	2740	9.7	2826	10.0
3000	2556	9.0	2639	9.3	2722	9.6	2804	9.9	—	—

High Static 1378-2836 rpm

Legend and Notes

Applicable for Electrical Data Tables on pages 60-78

LEGEND

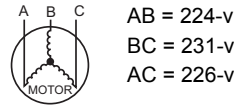
BRKR	— Circuit Breaker
CO	— Convenience Outlet
FLA	— Full Load Amps
IFM	— Indoor Fan Motor
LRA	— Locked Rotor Amps
MCA	— Minimum Circuit Amps
PE	— Power Exhaust
PWRD CO	— Powered Convenience Outlet
RLA	— Rated Load Amps
UNPWR CO	— Unpowered Convenience Outlet

NOTES:

1. In compliance with NEC requirements for multi-motor and combination load equipment (refer to NEC Articles 430 and 440), the overcurrent protective device for the unit shall be fuse or HACR breaker. Canadian units may be fuse or circuit breaker.
2. For 208/230 v units, where one value is show it is the same for either 208 or 230 volts.
3. **Unbalanced 3-Phase Supply Voltage**
Never operate a motor where a phase imbalance in supply voltage is greater than 2%. Use the following formula to determine the percentage of voltage imbalance.

$$\% \text{ Voltage Imbalance} = 100 \times \frac{\text{max voltage deviation from average voltage}}{\text{average voltage}}$$

Example: Supply voltage is 230-3-60



$$\text{Average Voltage} = \frac{(224 + 231 + 226)}{3} = \frac{681}{3} = 227$$

Determine maximum deviation from average voltage.

(AB) 227-224 = 3-v

(BC) 231-227 = 4-v

(AC) 227-226 = 1-v

Maximum deviation is 4-v.

Determine percent of voltage imbalance.

$$\% \text{ Voltage Imbalance} = 100 \times \frac{4}{227} = 1.78\%$$

This amount of phase imbalance is satisfactory as it is below the maximum allowable 2%.

IMPORTANT: If the supply voltage phase imbalance is more than 2%, contact your local electric utility company immediately.

50FCQ*04-07 Cooling Electrical Data

50FCQ UNIT	V-Ph-Hz	UNIT VOLTAGE RANGE		COMPRESSOR		OFM (EA)		IFM			POWER EXHAUST	
		Min	Max	RLA	LRA	Watts	FLA	Type	Efficiency at Full Load	FLA	Kit QTY	FLA (EA Kit)
A04	208/230-1-60	187	253	15.4	84	190	1.5	STD	84%	4.3	1	1.9
								MED	84%	5.1		
								HIGH	85%	7.3		
	208/230-3-60	187	253	10.4	73	190	1.5	STD	84%	4.3	1	1.9
								MED	84%	5.1		
								HIGH	85%	7.3		
	460-3-60	414	506	5.8	38	190	0.8	STD	85%	1.2	1	1.0
								MED	85%	1.2		
								HIGH	84%	1.7		
575-3-60	518	633	3.8	37	190	0.6	STD	84%	1.1	1	1.9	
							MED	84%	1.1			
							HIGH	85%	1.5			
C05	208/230-1-60	187	253	25.0	120	325	1.58	STD	87%	5.0	1	1.9
								MED	86%	7.1		
								HIGH	84%	8.8		
A05	208/230-3-60	187	253	13.7	83	325	1.5	STD	87%	5.0	1	1.9
								MED	86%	7.1		
								HIGH	85%	5.5		
	460-3-60	414	506	6.2	41	325	0.8	STD	85%	1.2	1	1.0
								MED	86%	1.7		
								HIGH	88%	2.6		
	575-3-60	518	633	4.8	33	325	0.6	STD	84%	1.1	1	1.9
								MED	85%	1.5		
								HIGH	88%	2.3		
A06	208/230-1-60	187	253	24.4	144	325	1.5	STD	86%	7.2	1	1.9
								MED	84%	9.2		
	208/230-3-60	187	253	16.0	110	325	1.5	STD	86%	7.2	1	1.9
								MED	84%	9.2		
								HIGH	84%	6.5		
	460-3-60	414	506	7.8	52	325	0.8	STD	86%	1.7	1	1.0
								MED	86%	2.1		
								HIGH	88%	3.1		
	575-3-60	518	633	5.7	39	325	0.6	STD	84%	1.5	1	1.9
MED								85%	2.0			
HIGH								87%	2.7			
M07	208/230-3-60	187	253	18.0	136	325	1.5	STD	84%	9.2	1	1.9
								MED	87%	5.5		
								HIGH	84%	6.5		
	460-3-60	414	506	8.5	66	325	0.8	STD	85%	2.1	1	1.0
								MED	88%	2.6		
								HIGH	88%	3.1		
	575-3-60	518	633	7.3	55	325	0.6	STD	85%	2.0	1	1.9
								MED	88%	2.3		
								HIGH	87%	2.7		

50FCQA04 MCA MOCPP Electrical Data

50FCQ UNIT SIZE	NOM. V-Ph-Hz	IFM TYPE	ELECTRIC HEATER			NO CONVENIENCE OUTLET OR UNPOWERED CONVENIENCE OUTLET							
			CRHEATER ****00	NOM (kW)	FLA	No Power Exhaust				With Power Exhaust (powered from unit)			
						MCA	Fuse or HACR Brkr	Disconnect Size		MCA	Fuse or HACR Brkr	Disconnect Size	
								FLA	LRA			FLA	LRA
A04	208/230-1-60	STD	NONE	—	—	26	30	24	94	27	40	27	96
			323A	3.3/4.4	15.9/18.3	45/48	50/50	43/45	110/112	47/50	50/60	45/48	112/114
			324A	4.9/6.5	23.5/27.1	55/59	60/60	51/56	118/121	57/61	60/70	54/58	120/123
			325A	6.5/8.7	31.4/36.3	65/71	70/80	60/66	125/130	67/73	70/80	63/68	127/132
			326A	7.9/10.5	37.9/43.8	73/80	80/80	68/75	132/138	75/82	80/90	70/77	134/140
		327A	9.8/13.0	46.9/54.2	84/93	90/100	78/87	141/148	86/95	90/100	81/89	143/150	
		MED	NONE	—	—	26	30	25	95	28	40	27	97
			323A	3.3/4.4	15.9/18.3	46/49	50/50	44/46	111/113	48/51	50/60	46/49	113/115
			324A	4.9/6.5	23.5/27.1	56/60	60/60	52/56	119/122	58/62	60/70	55/59	121/124
			325A	6.5/8.7	31.4/36.3	66/72	70/80	61/67	126/131	67/74	70/80	64/69	128/133
			326A	7.9/10.5	37.9/43.8	74/81	80/90	69/76	133/139	76/83	80/90	71/78	135/141
		327A	9.8/13.0	46.9/54.2	85/94	90/100	79/88	142/149	87/96	90/100	81/90	144/151	
		HIGH	NONE	—	—	29	40	28	98	30	45	30	100
			323A	3.3/4.4	15.9/18.3	48/51	50/60	46/49	114/116	50/53	60/60	48/51	116/118
			324A	4.9/6.5	23.5/27.1	58/62	60/70	55/59	122/125	60/64	60/70	57/61	124/127
	325A		6.5/8.7	31.4/36.3	68/74	70/80	64/70	129/134	70/76	70/80	66/72	131/136	
	326A		7.9/10.5	37.9/43.8	76/83	80/90	71/78	136/142	78/85	80/90	74/80	138/144	
	327A	9.8/13.0	46.9/54.2	87/96	90/100	82/90	145/152	89/98	90/100	84/92	147/154		
	208/230-3-60	STD	NONE	—	—	19	25	19	83	21	30	21	85
			323A	3.3/4.4	9.2/10.6	31/33	35/35	29/31	92/94	33/34	40/40	31/33	94/96
			324A	4.9/6.5	13.6/15.6	36/39	40/40	34/37	97/99	38/41	40/45	36/39	99/101
			325A	6.5/8.7	18.1/20.9	42/45	45/50	39/43	101/104	44/47	45/50	42/45	103/106
			326A	7.9/10.5	21.9/25.3	47/51	50/60	44/48	105/108	49/53	50/60	46/50	107/110
		328A	12.0/16.0	33.4/38.5	61/67	70/70	57/63	116/122	63/69	70/70	59/65	118/124	
		MED	NONE	—	—	20	30	20	84	22	30	22	86
			323A	3.3/4.4	9.2/10.6	32/33	35/40	30/32	93/95	33/35	40/40	32/34	95/97
			324A	4.9/6.5	13.6/15.6	37/40	40/45	35/37	98/100	39/41	45/45	37/40	100/102
			325A	6.5/8.7	18.1/20.9	43/46	45/50	40/44	102/105	45/48	50/50	43/46	104/107
			326A	7.9/10.5	21.9/25.3	47/52	50/60	45/49	106/109	49/54	50/60	47/51	108/111
		328A	12.0/16.0	33.4/38.5	62/68	70/70	58/64	117/123	64/70	70/70	60/66	119/125	
		HIGH	NONE	—	—	22	30	22	87	24	30	24	89
			323A	3.3/4.4	9.2/10.6	34/36	40/40	33/34	96/98	36/37	40/40	35/36	98/100
			324A	4.9/6.5	13.6/15.6	39/42	45/45	38/40	101/103	41/44	45/45	40/42	103/105
	325A		6.5/8.7	18.1/20.9	45/48	50/50	43/46	105/108	47/50	50/50	45/48	107/110	
	326A		7.9/10.5	21.9/25.3	50/54	50/60	47/51	109/112	52/56	60/60	49/53	111/114	
	328A	12.0/16.0	33.4/38.5	64/70	70/70	60/66	120/126	66/72	70/80	63/69	122/128		
	460-3-60	STD	NONE	—	—	10	15	9	42	11	15	10	43
			333A	6.0	7.2	19	20	17	49	20	20	18	50
			334A	8.8	10.6	23	25	21	53	24	25	22	54
			335A	11.5	13.8	27	30	25	56	28	30	26	57
			336A	14.0	16.8	31	35	28	59	32	35	29	60
		MED	NONE	—	—	10	15	9	42	11	15	10	43
			333A	6.0	7.2	19	20	17	49	20	20	18	50
			334A	8.8	10.6	23	25	21	53	24	25	22	54
			335A	11.5	13.8	27	30	25	56	28	30	26	57
336A			14.0	16.8	31	35	28	59	32	35	29	60	
HIGH		NONE	—	—	10	15	10	42	11	15	11	43	
		333A	6.0	7.2	19	20	18	49	20	20	19	50	
		334A	8.8	10.6	23	25	22	53	24	25	23	54	
		335A	11.5	13.8	27	30	25	56	28	30	27	57	
		336A	14.0	16.8	31	35	29	59	32	35	30	60	
575-3-60	STD	NONE	—	—	7	15	6	41	9	15	9	43	
		339A	10.0	9.6	19	20	17	51	21	25	20	53	
		340A	15.0	14.4	25	25	23	55	27	30	25	57	
	MED	NONE	—	—	7	15	6	41	9	15	9	43	
		339A	10.0	9.6	19	20	17	51	21	25	20	53	
		340A	15.0	14.4	25	25	23	55	27	30	25	57	
	HIGH	NONE	—	—	7	15	7	41	9	15	9	43	
		339A	10.0	9.6	19	20	18	51	21	25	20	53	
		340A	15.0	14.4	25	25	23	55	27	30	26	57	

50FCQA04 MCA MOCAP Electrical Data (cont)

50FCQ UNIT SIZE	NOM. V-Ph-Hz	IFM TYPE	ELECTRIC HEATER			WITH POWERED CONVENIENCE OUTLET								
			CRHEATER ****00	NOM (kW)	FLA	No Power Exhaust				With Power Exhaust (powered from unit)				
						MCA	Fuse or HACR Brkr	Disconnect Size		MCA	Fuse or HACR Brkr	Disconnect Size		
								FLA	LRA			FLA	LRA	
A04	208/230-1-60	STD	NONE	—	—	—	—	—	—	—	—	—	—	—
			323A	3.3/4.4	15.9/18.3	—	—	—	—	—	—	—	—	—
			324A	4.9/6.5	23.5/27.1	—	—	—	—	—	—	—	—	—
			325A	6.5/8.7	31.4/36.3	—	—	—	—	—	—	—	—	—
			326A	7.9/10.5	37.9/43.8	—	—	—	—	—	—	—	—	—
		327A	9.8/13.0	46.9/54.2	—	—	—	—	—	—	—	—	—	
		MED	NONE	—	—	—	—	—	—	—	—	—	—	—
			323A	3.3/4.4	15.9/18.3	—	—	—	—	—	—	—	—	—
			324A	4.9/6.5	23.5/27.1	—	—	—	—	—	—	—	—	—
			325A	6.5/8.7	31.4/36.3	—	—	—	—	—	—	—	—	—
			326A	7.9/10.5	37.9/43.8	—	—	—	—	—	—	—	—	—
		327A	9.8/13.0	46.9/54.2	—	—	—	—	—	—	—	—	—	
		HIGH	NONE	—	—	—	—	—	—	—	—	—	—	—
			323A	3.3/4.4	15.9/18.3	—	—	—	—	—	—	—	—	—
			324A	4.9/6.5	23.5/27.1	—	—	—	—	—	—	—	—	—
	325A		6.5/8.7	31.4/36.3	—	—	—	—	—	—	—	—	—	
	326A		7.9/10.5	37.9/43.8	—	—	—	—	—	—	—	—	—	
	327A	9.8/13.0	46.9/54.2	—	—	—	—	—	—	—	—	—		
	208/230-3-60	STD	NONE	—	—	24	30	24	88	26	30	26	90	
			323A	3.3/4.4	9.2/10.6	36/37	40/40	35/36	97/99	37/39	45/45	37/39	99/101	
			324A	4.9/6.5	13.6/15.6	41/44	45/45	40/42	102/104	43/45	45/50	42/44	104/106	
			325A	6.5/8.7	18.1/20.9	47/50	50/50	45/48	106/109	49/52	50/60	47/50	108/111	
			326A	7.9/10.5	21.9/25.3	51/56	60/60	49/53	110/113	53/58	60/60	52/55	112/115	
		328A	12.0/16.0	33.4/38.5	66/72	70/80	63/68	121/127	68/74	70/80	65/71	123/129		
		MED	NONE	—	—	25	30	25	89	27	30	27	91	
			323A	3.3/4.4	9.2/10.6	36/38	40/45	36/37	98/100	38/40	45/45	38/39	100/102	
			324A	4.9/6.5	13.6/15.6	42/44	45/50	41/43	103/105	44/46	50/50	43/45	105/107	
			325A	6.5/8.7	18.1/20.9	47/51	50/60	46/49	107/110	49/53	50/60	48/51	109/112	
			326A	7.9/10.5	21.9/25.3	52/56	60/60	50/54	111/114	54/58	60/60	52/56	113/116	
		328A	12.0/16.0	33.4/38.5	67/73	70/80	63/69	122/128	69/75	70/80	66/72	124/130		
HIGH		NONE	—	—	27	30	28	92	29	35	30	94		
		323A	3.3/4.4	9.2/10.6	39/40	45/45	38/40	101/103	40/42	45/45	40/42	103/105		
		324A	4.9/6.5	13.6/15.6	44/47	50/50	43/46	106/108	46/48	50/50	45/48	108/110		
	325A	6.5/8.7	18.1/20.9	50/53	50/60	48/52	110/113	52/55	60/60	51/54	112/115			
	326A	7.9/10.5	21.9/25.3	54/59	60/60	53/57	114/117	56/61	60/70	55/59	116/119			
328A	12.0/16.0	33.4/38.5	69/75	70/80	66/72	125/131	71/77	80/80	68/74	127/133				
460-3-60	STD	NONE	—	—	12	15	12	44	13	15	13	45		
		333A	6.0	7.2	21	25	20	51	22	25	21	52		
		334A	8.8	10.6	25	25	24	55	26	30	25	56		
		335A	11.5	13.8	29	30	27	58	30	30	29	59		
		336A	14.0	16.8	33	35	31	61	34	35	32	62		
	MED	NONE	—	—	12	15	12	44	13	15	13	45		
		333A	6.0	7.2	21	25	20	51	22	25	21	52		
		334A	8.8	10.6	25	25	24	55	26	30	25	56		
		335A	11.5	13.8	29	30	27	58	30	30	29	59		
		336A	14.0	16.8	33	35	31	61	34	35	32	62		
	HIGH	NONE	—	—	12	15	12	44	13	15	13	45		
		333A	6.0	7.2	21	25	20	51	22	25	22	52		
		334A	8.8	10.6	26	30	24	55	27	30	25	56		
		335A	11.5	13.8	30	30	28	58	31	35	29	59		
		336A	14.0	16.8	33	35	31	61	34	35	33	62		
575-3-60	STD	NONE	—	—	9	15	8	43	11	15	10	45		
		339A	10.0	9.6	21	25	19	53	23	25	22	55		
		340A	15.0	14.4	27	30	25	57	29	30	27	59		
	MED	NONE	—	—	9	15	8	43	11	15	10	45		
		339A	10.0	9.6	21	25	19	53	23	25	22	55		
		340A	15.0	14.4	27	30	25	57	29	30	27	59		
	HIGH	NONE	—	—	9	15	9	43	11	15	11	45		
		339A	10.0	9.6	21	25	20	53	23	25	22	55		
		340A	15.0	14.4	27	30	25	57	29	30	27	59		

50FCQC05 MCA MOCPC Electrical Data

50FCQ UNIT SIZE	NOM. V-Ph-Hz	IFM TYPE	ELECTRIC HEATER			NO CONVENIENCE OUTLET OR UNPOWERED CONVENIENCE OUTLET							
			CRHEATER ****00	NOM (kW)	FLA	No Power Exhaust				With Power Exhaust (powered from unit)			
						MCA	Fuse or HACR Brkr	Disconnect Size		MCA	Fuse or HACR Brkr	Disconnect Size	
								FLA	LRA			FLA	LRA
C05	208/230-1-60	STD	—	—	—	38	60	36	131	40	60	38	133
			323A	3.3/4.4	15.9/18.3	58/61	60/80	55/57	147/149	60/63	80/80	57/59	149/151
			325A	6.5/8.7	31.4/36.3	77/84	80/90	72/78	162/167	79/85	80/100	75/80	164/169
			327A	9.8/13.0	46.9/54.2	97/106	100/110	90/99	178/185	99/108	100/110	92/101	180/187
			329A	13.1/17.4	62.8/72.5	117/129	125/150	108/120	194/204	119/131	125/150	111/122	196/206
			330A	14.4/19.2	69.3/80.0	125/138	125/150	116/128	200/211	127/140	150/150	118/130	202/213
		331A	15.8/21.0	75.8/87.5	133/148	150/150	123/137	207/219	135/149	150/150	126/139	209/221	
		MED	—	—	—	40	60	39	134	42	60	41	136
			323A	3.3/4.4	15.9/18.3	60/63	80/80	57/60	150/152	62/65	80/80	59/62	152/154
			325A	6.5/8.7	31.4/36.3	80/86	80/100	75/80	165/170	81/88	90/100	77/83	167/172
			327A	9.8/13.0	46.9/54.2	99/108	100/110	93/101	181/188	101/110	110/110	95/103	183/190
			329A	13.1/17.4	62.8/72.5	119/131	125/150	111/122	197/207	121/133	125/150	113/124	199/209
			330A	14.4/19.2	69.3/80.0	127/140	150/150	118/131	203/214	129/142	150/150	121/133	205/216
		331A	15.8/21.0	75.8/87.5	135/150	150/150	126/139	210/222	137/152	150/175	128/141	212/224	
		HIGH	—	—	—	42	60	41	136	44	60	43	138
			323A	3.3/4.4	15.9/18.3	62/65	80/80	59/62	152/154	64/67	80/80	61/64	154/156
			325A	6.5/8.7	31.4/36.3	81/87	90/100	77/82	167/172	83/89	90/100	79/85	169/174
			327A	9.8/13.0	46.9/54.2	101/110	110/110	95/103	183/190	103/112	110/125	97/105	185/192
			329A	13.1/17.4	62.8/72.5	121/133	125/150	113/124	199/209	122/135	125/150	115/126	201/211
			330A	14.4/19.2	69.3/80.0	129/142	150/150	120/133	205/216	131/144	150/150	122/135	207/218
			331A	15.8/21.0	75.8/87.5	137/151	150/175	128/141	212/224	139/153	150/175	130/143	214/226

50FCQC05 MCA MOCPC Electrical Data (cont)

50FCQ UNIT SIZE	NOM. V-Ph-Hz	IFM TYPE	ELECTRIC HEATER			WITH POWERED CONVENIENCE OUTLET							
			CRHEATER ****00	NOM (kW)	FLA	No Power Exhaust				With Power Exhaust (powered from unit)			
						MCA	Fuse or HACR Brkr	Disconnect Size		MCA	Fuse or HACR Brkr	Disconnect Size	
								FLA	LRA			FLA	LRA
C05	208/230-1-60	STD	—	—	—	43	60	42	136	45	60	44	138
			323A	3.3/4.4	15.9/18.3	63/66	80/80	60/63	152/154	65/68	80/80	62/65	154/156
			325A	6.5/8.7	31.4/36.3	82/88	90/100	78/83	167/172	84/90	100/100	80/86	169/174
			327A	9.8/13.0	46.9/54.2	102/111	110/125	96/104	183/190	104/113	110/125	98/106	185/192
			329A	13.1/17.4	62.8/72.5	122/134	125/150	114/125	199/209	123/136	125/150	116/127	201/211
			330A	14.4/19.2	69.3/80.0	130/143	150/150	121/134	205/216	132/145	150/150	124/136	207/218
		331A	15.8/21.0	75.8/87.5	138/152	150/175	129/142	212/224	140/154	150/175	131/145	214/226	
		MED	—	—	—	45	60	44	139	47	60	46	141
			323A	3.3/4.4	15.9/18.3	65/68	80/80	62/65	155/157	67/70	80/80	65/67	157/159
			325A	6.5/8.7	31.4/36.3	84/90	100/100	80/86	170/175	86/92	100/100	82/88	172/177
			327A	9.8/13.0	46.9/54.2	104/113	110/125	98/106	186/193	106/115	110/125	100/109	188/195
			329A	13.1/17.4	62.8/72.5	124/136	125/150	116/128	202/212	126/138	150/150	119/130	204/214
			330A	14.4/19.2	69.3/80.0	132/145	150/150	124/136	208/219	134/147	150/150	126/138	210/221
		331A	15.8/21.0	75.8/87.5	140/154	150/175	131/145	215/227	142/156	150/175	134/147	217/229	
		HIGH	—	—	—	47	60	46	141	49	60	48	143
			323A	3.3/4.4	15.9/18.3	67/70	80/80	64/67	157/159	69/72	80/80	67/69	159/161
			325A	6.5/8.7	31.4/36.3	86/92	100/100	82/88	172/177	88/94	100/100	84/90	174/179
			327A	9.8/13.0	46.9/54.2	105/115	110/125	100/108	188/195	107/116	110/125	102/111	190/197
			329A	13.1/17.4	62.8/72.5	125/137	125/150	118/129	204/214	127/139	150/150	121/132	206/216
			330A	14.4/19.2	69.3/80.0	133/147	150/150	126/138	210/221	135/149	150/150	128/140	212/223
			331A	15.8/21.0	75.8/87.5	142/156	150/175	133/147	217/229	143/158	150/175	135/149	219/231

50FCQA05 MCA MOCPS Electrical Data

50FCQ UNIT SIZE	NOM. V-Ph-Hz	IFM TYPE	ELECTRIC HEATER			NO CONVENIENCE OUTLET or UNPOWERED CONVENIENCE OUTLET							
			CRHEATER ****00	NOM (kW)	FLA	No Power Exhaust				With Power Exhaust (powered from unit)			
						MCA	Fuse or HACR Brkr	Disconnect Size		MCA	Fuse or HACR Brkr	Disconnect Size	
								FLA	LRA			FLA	LRA
A05	208/230-3-60	STD	NONE	—	—	24	30	23	94	26	30	25	96
			323A	3.3/4.4	9.2/10.6	36/37	45/45	34/35	103/105	37/39	45/45	36/38	105/107
			324A	4.9/6.5	13.6/15.6	41/44	50/50	39/41	108/110	43/45	50/50	41/43	110/112
			325A	6.5/8.7	18.1/20.9	47/50	50/50	44/47	112/115	49/52	50/60	46/49	114/117
			328A	12.0/16.0	33.4/38.5	66/72	70/80	62/68	127/133	68/74	70/80	64/70	129/135
			330A	14.4/19.2	40.0/46.2	74/82	80/90	69/76	134/140	76/84	80/90	71/79	136/142
		331A	15.8/21.0	43.8/50.5	79/87	80/90	74/81	138/145	81/89	90/90	76/83	140/147	
		MED	NONE	—	—	26	30	26	97	28	40	28	99
			323A	3.3/4.4	9.2/10.6	38/39	45/50	36/38	106/108	40/41	50/50	38/40	108/110
			324A	4.9/6.5	13.6/15.6	43/46	50/50	41/44	111/113	45/48	50/50	43/46	113/115
			325A	6.5/8.7	18.1/20.9	49/52	50/60	46/50	115/118	51/54	60/60	49/52	117/120
			328A	12.0/16.0	33.4/38.5	68/74	70/80	64/70	130/136	70/76	70/80	66/72	132/138
			330A	14.4/19.2	40.0/46.2	76/84	80/90	72/79	137/143	78/86	80/90	74/81	139/145
		331A	15.8/21.0	43.8/50.5	81/89	90/90	76/84	141/148	83/91	90/100	78/86	143/150	
		HIGH	NONE	—	—	25	30	24	95	26	30	26	97
			323A	3.3/4.4	9.2/10.6	36/38	45/45	34/36	104/106	38/40	45/50	37/38	106/108
			324A	4.9/6.5	13.6/15.6	42/44	50/50	39/42	109/111	43/46	50/50	42/44	111/113
			325A	6.5/8.7	18.1/20.9	47/51	50/60	45/48	113/116	49/53	50/60	47/50	115/118
	328A		12.0/16.0	33.4/38.5	66/73	70/80	62/68	128/134	68/75	70/80	64/70	130/136	
	330A		14.4/19.2	40.0/46.2	75/82	80/90	70/77	135/141	76/84	80/90	72/79	137/143	
	331A	15.8/21.0	43.8/50.5	79/88	80/90	74/82	139/146	81/90	90/90	76/84	141/148		
	460-3-60	STD	NONE	—	—	10	15	9	45	11	15	11	46
			333A	6.0	7.2	19	20	18	52	20	20	19	53
			335A	11.5	13.8	27	30	25	59	28	30	26	60
			336A	14.0	16.8	31	35	29	62	32	35	30	63
			337A	21.5	25.9	43	45	39	71	44	45	40	72
		MED	NONE	—	—	11	15	10	45	12	15	11	46
			333A	6.0	7.2	20	20	18	52	21	25	19	53
			335A	11.5	13.8	28	30	26	59	29	30	27	60
			336A	14.0	16.8	32	35	29	62	33	35	30	63
			337A	21.5	25.9	43	45	40	71	44	45	41	72
		HIGH	NONE	—	—	12	15	11	47	13	15	12	48
			333A	6.0	7.2	21	25	19	54	22	25	20	55
335A			11.5	13.8	29	30	27	61	30	30	28	62	
336A			14.0	16.8	33	35	30	64	34	35	32	65	
337A			21.5	25.9	44	45	41	73	45	45	42	74	
575-3-60	STD	NONE	—	—	8	15	7	37	10	15	10	39	
		339A	10.0	9.6	20	20	19	47	22	25	21	49	
		340A	15.0	14.4	26	30	24	51	28	30	26	53	
	MED	NONE	—	—	9	15	8	37	10	15	10	39	
		339A	10.0	9.6	21	25	19	47	22	25	21	49	
		340A	15.0	14.4	27	30	24	51	28	30	27	53	
	HIGH	NONE	—	—	9	15	9	38	11	15	11	40	
		339A	10.0	9.6	21	25	20	48	23	25	22	50	
		340A	15.0	14.4	27	30	25	52	29	30	28	54	

50FCQA05 MCA MOCPP Electrical Data (cont)

50FCQ UNIT SIZE	NOM. V-Ph-Hz	IFM TYPE	ELECTRIC HEATER			WITH POWERED CONVENIENCE OUTLET							
			CRHEATER ****00	NOM (kW)	FLA	No Power Exhaust				With Power Exhaust (powered from unit)			
						MCA	Fuse or HACR Brkr	Disconnect Size		MCA	Fuse or HACR Brkr	Disconnect Size	
								FLA	LRA			FLA	LRA
A05	208/230-3-60	STD	NONE	—	—	29	40	29	99	31	40	31	101
			323A	3.3/4.4	9.2/10.6	40/42	50/50	39/41	108/110	42/44	50/50	42/43	110/112
			324A	4.9/6.5	13.6/15.6	46/48	50/50	44/47	113/115	48/50	50/50	47/49	115/117
			325A	6.5/8.7	18.1/20.9	52/55	60/60	50/53	117/120	53/57	60/60	52/55	119/122
			328A	12.0/16.0	33.4/38.5	71/77	80/80	67/73	132/138	73/79	80/80	69/75	134/140
			330A	14.4/19.2	40.0/46.2	79/87	80/90	75/82	139/145	81/89	90/90	77/84	141/147
		331A	15.8/21.0	43.8/50.5	84/92	90/100	79/87	143/150	86/94	90/100	81/89	145/152	
		MED	NONE	—	—	31	40	31	102	33	45	33	104
			323A	3.3/4.4	9.2/10.6	42/44	50/50	42/43	111/113	44/46	50/50	44/46	113/115
			324A	4.9/6.5	13.6/15.6	48/50	50/60	47/49	116/118	50/52	50/60	49/51	118/120
			325A	6.5/8.7	18.1/20.9	54/57	60/60	52/55	120/123	56/59	60/60	54/57	122/125
			328A	12.0/16.0	33.4/38.5	73/79	80/80	70/75	135/141	75/81	80/90	72/78	137/143
			330A	14.4/19.2	40.0/46.2	81/89	90/90	77/84	142/148	83/91	90/100	79/86	144/150
		331A	15.8/21.0	43.8/50.5	86/94	90/100	82/89	146/153	88/96	90/100	84/91	148/155	
		HIGH	NONE	—	—	29	40	29	100	31	40	32	102
			323A	3.3/4.4	9.2/10.6	41/43	50/50	40/42	109/111	43/45	50/50	42/44	111/113
			324A	4.9/6.5	13.6/15.6	46/49	50/50	45/47	114/116	48/51	50/60	47/49	116/118
			325A	6.5/8.7	18.1/20.9	52/56	60/60	50/53	118/121	54/57	60/60	52/56	120/123
	328A		12.0/16.0	33.4/38.5	71/78	80/80	68/74	133/139	73/79	80/80	70/76	135/141	
	330A		14.4/19.2	40.0/46.2	79/87	80/90	75/82	140/146	81/89	90/90	78/85	142/148	
	331A	15.8/21.0	43.8/50.5	84/93	90/100	80/87	144/151	86/94	90/100	82/90	146/153		
	460-3-60	STD	NONE	—	—	12	15	12	47	13	15	13	48
			333A	6.0	7.2	21	25	20	54	22	25	21	55
			335A	11.5	13.8	30	30	28	61	31	35	29	62
			336A	14.0	16.8	33	35	31	64	34	35	32	65
			337A	21.5	25.9	45	45	42	73	46	50	43	74
		MED	NONE	—	—	13	15	13	47	14	20	14	48
			333A	6.0	7.2	22	25	21	54	23	25	22	55
			335A	11.5	13.8	30	30	28	61	31	35	30	62
			336A	14.0	16.8	34	35	32	64	35	35	33	65
			337A	21.5	25.9	45	45	42	73	46	50	43	74
		HIGH	NONE	—	—	14	15	14	49	15	20	15	50
			333A	6.0	7.2	23	25	22	56	24	25	23	57
335A			11.5	13.8	31	35	29	63	32	35	31	64	
336A			14.0	16.8	35	35	33	66	36	40	34	67	
337A			21.5	25.9	46	50	43	75	47	50	45	76	
575-3-60	STD	NONE	—	—	10	15	9	39	12	15	12	41	
		339A	10.0	9.6	22	25	20	49	24	25	23	51	
		340A	15.0	14.4	28	30	26	53	30	30	28	55	
	MED	NONE	—	—	10	15	10	39	12	15	12	41	
		339A	10.0	9.6	22	25	21	49	24	25	23	51	
		340A	15.0	14.4	28	30	26	53	30	30	29	55	
	HIGH	NONE	—	—	11	15	11	40	13	15	13	42	
		339A	10.0	9.6	23	25	22	50	25	25	24	52	
		340A	15.0	14.4	29	30	27	54	31	35	30	56	

50FCQA06 MCA MOCPC Electrical Data

50FCQ UNIT SIZE	NOM. V-Ph-Hz	IFM TYPE	ELECTRIC HEATER			NO CONVENIENCE OUTLET or UNPOWERED CONVENIENCE OUTLET								
			CRHEATER ****00	NOM (kW)	FLA	No Power Exhaust				With Power Exhaust (powered from unit)				
						MCA	Fuse or HACR Brkr	Disconnect Size		MCA	Fuse or HACR Brkr	Disconnect Size		
								FLA	LRA			FLA	LRA	
A06	208/230-1-60	STD	NONE	—	—	40	60	38	158	42	60	40	160	
			324A	4.9/6.5	23.5/27.1	69/74	80/80	65/69	182/185	71/75	80/80	67/71	184/187	
			325A	6.5/8.7	31.4/36.3	79/85	80/90	74/80	189/194	81/87	90/100	76/82	191/196	
			327A	9.8/13.0	46.9/54.2	98/107	100/110	92/100	205/212	100/109	100/110	94/103	207/214	
			329A	13.1/17.4	62.8/72.5	118/130	125/150	110/121	221/231	120/132	125/150	112/124	223/233	
			331A	15.8/21.0	75.8/87.5	134/149	150/150	125/139	234/246	136/151	150/175	127/141	236/248	
		MED	NONE	—	—	42	60	40	161	44	60	43	163	
			324A	4.9/6.5	23.5/27.1	71/76	80/80	67/72	185/188	73/77	80/80	70/74	187/190	
			325A	6.5/8.7	31.4/36.3	81/87	90/100	76/82	192/197	83/89	90/100	79/84	194/199	
			327A	9.8/13.0	46.9/54.2	100/109	100/110	94/103	208/215	102/111	110/125	96/105	210/217	
			329A	13.1/17.4	62.8/72.5	120/132	125/150	113/124	224/234	122/134	125/150	115/126	226/236	
			331A	15.8/21.0	75.8/87.5	136/151	150/175	128/141	237/249	138/153	150/175	130/143	239/251	
		208/230-3-60	STD	NONE	—	—	29	40	28	124	31	45	31	126
				324A	4.9/6.5	13.6/15.6	46/49	50/60	44/46	138/140	48/51	60/60	46/49	140/142
				326A	7.9/10.5	21.9/25.3	57/61	60/70	54/58	146/149	58/63	60/70	56/60	148/151
	328A			12.0/16.0	33.4/38.5	71/77	80/80	67/73	157/163	73/79	80/80	69/75	159/165	
	331A			15.8/21.0	43.8/50.5	84/92	90/100	79/86	168/175	86/94	90/100	81/89	170/177	
	332A			18.4/24.5	51.1/58.9	93/103	100/110	87/96	175/183	95/105	100/110	89/98	177/185	
	MED		NONE	—	—	31	45	31	127	33	45	33	129	
			324A	4.9/6.5	13.6/15.6	48/51	60/60	46/49	141/143	50/53	60/60	49/51	143/145	
			326A	7.9/10.5	21.9/25.3	59/63	60/70	56/60	149/152	60/65	60/70	58/62	151/154	
			328A	12.0/16.0	33.4/38.5	73/79	80/80	69/75	160/166	75/81	80/90	71/77	162/168	
			331A	15.8/21.0	43.8/50.5	86/94	90/100	81/89	171/178	88/96	90/100	83/91	173/180	
			332A	18.4/24.5	51.1/58.9	95/105	100/110	89/98	178/186	97/107	100/110	92/101	180/188	
	HIGH		NONE	—	—	28	40	28	123	30	45	30	125	
			324A	4.9/6.5	13.6/15.6	45/48	50/50	43/46	137/139	47/50	50/60	45/48	139/141	
			326A	7.9/10.5	21.9/25.3	56/60	60/60	53/57	145/148	58/62	60/70	55/59	147/150	
		328A	12.0/16.0	33.4/38.5	70/77	70/80	66/72	156/162	72/78	80/80	68/74	158/164		
		331A	15.8/21.0	43.8/50.5	83/92	90/100	78/86	167/174	85/93	90/100	80/88	169/176		
		332A	18.4/24.5	51.1/58.9	92/102	100/110	86/95	174/182	94/104	100/110	89/98	176/184		
	460-3-60	STD	NONE	—	—	13	20	12	56	14	20	13	57	
			333A	6.0	7.2	22	25	20	63	23	25	21	64	
			335A	11.5	13.8	30	30	28	70	31	35	29	71	
			336A	14.0	16.8	34	35	31	73	35	35	32	74	
			337A	21.5	25.9	45	45	42	82	46	50	43	83	
			338A	24.0	28.9	49	50	45	85	50	50	46	86	
		MED	NONE	—	—	13	20	12	57	14	20	13	58	
			333A	6.0	7.2	22	25	21	64	23	25	22	65	
			335A	11.5	13.8	30	30	28	71	31	35	29	72	
			336A	14.0	16.8	34	35	32	74	35	35	33	75	
			337A	21.5	25.9	45	50	42	83	46	50	43	84	
			338A	24.0	28.9	49	50	46	86	50	50	47	87	
		HIGH	NONE	—	—	14	20	13	58	15	20	15	59	
			333A	6.0	7.2	23	25	22	65	24	25	23	66	
			335A	11.5	13.8	31	35	29	72	32	35	30	73	
336A	14.0		16.8	35	35	33	75	36	40	34	76			
337A	21.5		25.9	46	50	43	84	47	50	44	85			
338A	24.0		28.9	50	50	47	87	51	60	48	88			
575-3-60	STD	NONE	—	—	10	15	9	43	12	15	11	45		
		340A	15.0	14.4	28	30	26	57	30	30	28	59		
		341A	21.0	20.2	35	35	32	63	37	40	34	65		
	MED	NONE	—	—	10	15	10	44	12	15	12	46		
		340A	15.0	14.4	28	30	26	58	30	30	28	60		
		341A	21.0	20.2	35	35	33	64	37	40	35	66		
	HIGH	NONE	—	—	11	15	10	45	13	15	13	47		
		340A	15.0	14.4	29	30	27	59	31	35	29	61		
		341A	21.0	20.2	36	40	34	65	38	40	36	67		

50FCQA06 MCA MOCPP Electrical Data (cont)

50FCQ UNIT SIZE	NOM. V-Ph-Hz	IFM TYPE	ELECTRIC HEATER			WITH POWERED CONVENIENCE OUTLET								
			CRHEATER ****00	NOM (kW)	FLA	No Power Exhaust				With Power Exhaust (powered from unit)				
						MCA	Fuse or HACR Brkr	Disconnect Size		MCA	Fuse or HACR Brkr	Disconnect Size		
								FLA	LRA			FLA	LRA	
A06	208/230-1-60	STD	NONE	—	—	—	—	—	—	—	—	—	—	—
			324A	4.9/6.5	23.5/27.1	—	—	—	—	—	—	—	—	—
			325A	6.5/8.7	31.4/36.3	—	—	—	—	—	—	—	—	—
			327A	9.8/13.0	46.9/54.2	—	—	—	—	—	—	—	—	—
			329A	13.1/17.4	62.8/72.5	—	—	—	—	—	—	—	—	—
		331A	15.8/21.0	75.8/87.5	—	—	—	—	—	—	—	—	—	
		MED	NONE	—	—	—	—	—	—	—	—	—	—	—
			324A	4.9/6.5	23.5/27.1	—	—	—	—	—	—	—	—	—
			325A	6.5/8.7	31.4/36.3	—	—	—	—	—	—	—	—	—
			327A	9.8/13.0	46.9/54.2	—	—	—	—	—	—	—	—	—
			329A	13.1/17.4	62.8/72.5	—	—	—	—	—	—	—	—	—
		331A	15.8/21.0	75.8/87.5	—	—	—	—	—	—	—	—	—	
		208/230-3-60	STD	NONE	—	—	34	45	34	129	36	50	36	131
				324A	4.9/6.5	13.6/15.6	51/53	60/60	50/52	143/145	53/55	60/60	52/54	145/147
				326A	7.9/10.5	21.9/25.3	61/66	70/70	59/63	151/154	63/67	70/70	61/65	153/156
	328A			12.0/16.0	33.4/38.5	76/82	80/90	72/78	162/168	78/84	80/90	75/80	164/170	
	331A			15.8/21.0	43.8/50.5	89/97	90/100	84/92	173/180	91/99	100/100	86/94	175/182	
	332A		18.4/24.5	51.1/58.9	98/108	100/110	93/102	180/188	100/109	100/110	95/104	182/190		
	MED		NONE	—	—	36	50	36	132	38	50	38	134	
			324A	4.9/6.5	13.6/15.6	53/55	60/60	52/54	146/148	55/57	60/60	54/56	148/150	
			326A	7.9/10.5	21.9/25.3	63/68	70/70	61/65	154/157	65/69	70/70	64/68	156/159	
			328A	12.0/16.0	33.4/38.5	78/84	80/90	75/81	165/171	80/86	80/90	77/83	167/173	
			331A	15.8/21.0	43.8/50.5	91/99	100/100	87/94	176/183	93/101	100/110	89/96	178/185	
	332A		18.4/24.5	51.1/58.9	100/110	100/110	95/104	183/191	102/111	110/125	97/106	185/193		
	HIGH		NONE	—	—	33	45	33	128	35	50	35	130	
			324A	4.9/6.5	13.6/15.6	50/53	60/60	49/51	142/144	52/55	60/60	51/53	144/146	
			326A	7.9/10.5	21.9/25.3	61/65	70/70	58/62	150/153	63/67	70/70	60/64	152/155	
		328A	12.0/16.0	33.4/38.5	75/81	80/90	72/77	161/167	77/83	80/90	74/80	163/169		
		331A	15.8/21.0	43.8/50.5	88/96	90/100	83/91	172/179	90/98	90/100	86/93	174/181		
	332A	18.4/24.5	51.1/58.9	97/107	100/110	92/101	179/187	99/109	100/110	94/103	181/189			
	460-3-60	STD	NONE	—	—	15	20	14	58	16	20	16	59	
			333A	6.0	7.2	24	25	23	65	25	30	24	66	
			335A	11.5	13.8	32	35	30	72	33	35	31	73	
			336A	14.0	16.8	36	40	34	75	37	40	35	76	
			337A	21.5	25.9	47	50	44	84	48	50	45	85	
		338A	24.0	28.9	51	60	48	87	52	60	49	88		
		MED	NONE	—	—	15	20	15	59	16	20	16	60	
			333A	6.0	7.2	24	25	23	66	25	30	24	67	
			335A	11.5	13.8	33	35	31	73	34	35	32	74	
			336A	14.0	16.8	36	40	34	76	37	40	35	77	
			337A	21.5	25.9	48	50	45	85	49	50	46	86	
		338A	24.0	28.9	51	60	48	88	52	60	49	89		
		HIGH	NONE	—	—	16	20	16	60	17	20	17	61	
			333A	6.0	7.2	25	30	24	67	26	30	25	68	
			335A	11.5	13.8	34	35	32	74	35	35	33	75	
336A	14.0		16.8	37	40	35	77	38	40	36	78			
337A	21.5		25.9	49	50	46	86	50	50	47	87			
338A	24.0	28.9	52	60	49	89	53	60	50	90				
575-3-60	STD	NONE	—	—	11	15	11	45	13	15	13	47		
		340A	15.0	14.4	29	30	27	59	31	35	30	61		
		341A	21.0	20.2	37	40	34	65	39	40	36	67		
	MED	NONE	—	—	12	15	12	46	14	15	14	48		
		340A	15.0	14.4	30	30	28	60	32	35	30	62		
		341A	21.0	20.2	37	40	35	66	39	40	37	68		
	HIGH	NONE	—	—	13	15	12	47	14	20	14	49		
		340A	15.0	14.4	31	35	29	61	32	35	31	63		
		341A	21.0	20.2	38	40	36	67	40	40	38	69		

50FCQM07 MCA MOCPP Electrical Data

50FCQ UNIT SIZE	NOM. V-Ph-Hz	IFM TYPE	ELECTRIC HEATER			NO CONVENIENCE OUTLET or UNPOWERED CONVENIENCE OUTLET							
			CRHEATER ****00	NOM (kW)	FLA	No Power Exhaust				With Power Exhaust (powered from unit)			
						MCA	Fuse or HACR Brkr	Disconnect Size		MCA	Fuse or HACR Brkr	Disconnect Size	
								FLA	LRA			FLA	LRA
M07	208/230-3-60	STD	NONE	—	—	34	50	33	153	36	50	35	155
			324A	4.9/6.5	13.6/15.6	51/53	60/60	49/51	167/169	53/55	60/60	51/53	169/171
			326A	7.9/10.5	21.9/25.3	61/65	70/70	58/62	175/178	63/67	70/70	60/64	177/180
			328A	12.0/16.0	33.4/38.5	75/82	80/90	71/77	186/192	77/84	80/90	74/79	188/194
			331A	15.8/21.0	43.8/50.5	88/97	90/100	83/91	197/204	90/99	90/100	86/93	199/206
			332A	18.4/24.5	51.1/58.9	98/107	100/110	92/101	204/212	99/109	100/110	94/103	206/214
		MED	NONE	—	—	30	45	29	148	32	45	31	150
			324A	4.9/6.5	13.6/15.6	47/49	60/60	44/47	162/164	49/51	60/60	47/49	164/166
			326A	7.9/10.5	21.9/25.3	57/62	60/70	54/58	170/173	59/63	60/70	56/60	172/175
			328A	12.0/16.0	33.4/38.5	72/78	80/80	67/73	181/187	74/80	80/80	69/75	183/189
			331A	15.8/21.0	43.8/50.5	85/93	90/100	79/87	192/199	87/95	90/100	81/89	194/201
			332A	18.4/24.5	51.1/58.9	94/104	100/110	88/96	199/207	96/105	100/110	90/99	201/209
		HIGH	NONE	—	—	31	45	30	149	33	50	32	151
			324A	4.9/6.5	13.6/15.6	48/50	60/60	46/48	163/165	50/52	60/60	48/50	165/167
			326A	7.9/10.5	21.9/25.3	58/63	60/70	55/59	171/174	60/64	60/70	57/61	173/176
			328A	12.0/16.0	33.4/38.5	73/79	80/80	68/74	182/188	75/81	80/90	70/76	184/190
			331A	15.8/21.0	43.8/50.5	86/94	90/100	80/88	193/200	88/96	90/100	82/90	195/202
			332A	18.4/24.5	51.1/58.9	95/105	100/110	89/98	200/208	97/106	100/110	91/100	202/210
	460-3-60	STD	NONE	—	—	14	20	13	71	15	20	14	72
			333A	6.0	7.2	23	25	21	78	24	30	23	79
			335A	11.5	13.8	31	35	29	85	32	35	30	86
			336A	14.0	16.8	35	35	32	88	36	40	34	89
			337A	21.5	25.9	46	50	43	97	47	50	44	98
			338A	24.0	28.9	50	50	46	100	51	60	47	101
		MED	NONE	—	—	14	20	14	72	15	20	15	73
			333A	6.0	7.2	23	25	22	79	24	30	23	80
			335A	11.5	13.8	32	35	30	86	33	35	31	87
			336A	14.0	16.8	35	40	33	89	36	40	34	90
			337A	21.5	25.9	47	50	43	98	48	50	45	99
			338A	24.0	28.9	51	60	47	101	52	60	48	102
		HIGH	NONE	—	—	15	20	14	72	16	20	15	73
			333A	6.0	7.2	24	30	23	79	25	30	24	80
			335A	11.5	13.8	32	35	30	86	33	35	31	87
			336A	14.0	16.8	36	40	34	89	37	40	35	90
			337A	21.5	25.9	47	50	44	98	48	50	45	99
			338A	24.0	28.9	51	60	47	101	52	60	49	102
575-3-60	STD	NONE	—	—	12	15	11	60	14	20	14	62	
		340A	15.0	14.4	30	30	28	74	32	35	30	76	
		341A	21.0	20.2	37	40	35	80	39	40	37	82	
	MED	NONE	—	—	12	15	12	60	14	20	14	62	
		340A	15.0	14.4	30	35	28	74	32	35	30	76	
		341A	21.0	20.2	38	40	35	80	40	40	37	82	
	HIGH	NONE	—	—	13	15	12	61	15	20	14	63	
		340A	15.0	14.4	31	35	29	75	33	35	31	77	
		341A	21.0	20.2	38	40	35	81	40	40	38	83	

50FCQM07 MCA MOCB Electrical Data (cont)

50FCQ UNIT SIZE	NOM. V-Ph-Hz	IFM TYPE	ELECTRIC HEATER			WITH POWERED CONVENIENCE OUTLET							
			CRHEATER ****00	NOM (kW)	FLA	No Power Exhaust				With Power Exhaust (powered from unit)			
						MCA	Fuse or HACR Brkr	Disconnect Size		MCA	Fuse or HACR Brkr	Disconnect Size	
								FLA	LRA			FLA	LRA
M07	208/230-3-60	STD	NONE	—	—	38	50	39	158	40	50	41	160
			324A	4.9/6.5	13.6/15.6	55/58	60/60	54/56	172/174	57/60	60/60	56/59	174/176
			326A	7.9/10.5	21.9/25.3	66/70	70/80	64/68	180/183	68/72	70/80	66/70	182/185
			328A	12.0/16.0	33.4/38.5	80/87	80/90	77/83	191/197	82/88	90/90	79/85	193/199
			331A	15.8/21.0	43.8/50.5	93/102	100/110	89/97	202/209	95/103	100/110	91/99	204/211
			332A	18.4/24.5	51.1/58.9	102/112	110/125	97/106	209/217	104/114	110/125	99/108	211/219
		MED	NONE	—	—	35	50	34	153	37	50	36	155
			324A	4.9/6.5	13.6/15.6	52/54	60/60	50/52	167/169	54/56	60/60	52/54	169/171
			326A	7.9/10.5	21.9/25.3	62/66	70/70	59/63	175/178	64/68	70/70	62/66	177/180
			328A	12.0/16.0	33.4/38.5	77/83	80/90	73/79	186/192	78/85	80/90	75/81	188/194
			331A	15.8/21.0	43.8/50.5	90/98	90/100	85/92	197/204	91/100	100/100	87/95	199/206
			332A	18.4/24.5	51.1/58.9	99/108	100/110	93/102	204/212	101/110	110/110	95/104	206/214
		HIGH	NONE	—	—	36	50	35	154	38	50	38	156
			324A	4.9/6.5	13.6/15.6	53/55	60/60	51/53	168/170	55/57	60/60	53/56	170/172
			326A	7.9/10.5	21.9/25.3	63/67	70/70	61/65	176/179	65/69	70/80	63/67	178/181
			328A	12.0/16.0	33.4/38.5	78/84	80/90	74/80	187/193	79/86	80/90	76/82	189/195
			331A	15.8/21.0	43.8/50.5	91/99	100/100	86/93	198/205	92/101	100/110	88/96	200/207
			332A	18.4/24.5	51.1/58.9	100/109	100/110	94/103	205/213	102/111	110/125	96/105	207/215
	460-3-60	STD	NONE	—	—	16	20	16	73	17	25	17	74
			333A	6.0	7.2	25	30	24	80	26	30	25	81
			335A	11.5	13.8	33	35	32	87	34	35	33	88
			336A	14.0	16.8	37	40	35	90	38	40	36	91
			337A	21.5	25.9	49	50	45	99	50	50	47	100
			338A	24.0	28.9	52	60	49	102	53	60	50	103
		MED	NONE	—	—	17	20	16	74	18	25	17	75
			333A	6.0	7.2	26	30	24	81	27	30	26	82
			335A	11.5	13.8	34	35	32	88	35	35	33	89
			336A	14.0	16.8	38	40	36	91	39	40	37	92
			337A	21.5	25.9	49	50	46	100	50	50	47	101
			338A	24.0	28.9	53	60	49	103	54	60	51	104
		HIGH	NONE	—	—	17	25	17	74	18	25	18	75
			333A	6.0	7.2	26	30	25	81	27	30	26	82
			335A	11.5	13.8	34	35	33	88	35	40	34	89
			336A	14.0	16.8	38	40	36	91	39	40	37	92
			337A	21.5	25.9	50	50	47	100	51	60	48	101
			338A	24.0	28.9	53	60	50	103	54	60	51	104
575-3-60	STD	NONE	—	—	14	20	13	62	16	20	16	64	
		340A	15.0	14.4	32	35	30	76	34	35	32	78	
		341A	21.0	20.2	39	40	37	82	41	45	39	84	
	MED	NONE	—	—	14	20	14	62	16	20	16	64	
		340A	15.0	14.4	32	35	30	76	34	35	32	78	
		341A	21.0	20.2	39	40	37	82	41	45	39	84	
	HIGH	NONE	—	—	15	20	14	63	16	20	16	65	
		340A	15.0	14.4	33	35	31	77	34	35	33	79	
		341A	21.0	20.2	40	40	37	83	42	45	40	85	

50FCQA04 Electric Heat Data — without Non-Fused Disconnect

50FCQ UNIT SIZE	NOM. V-Ph-Hz	IFM TYPE	ELECTRIC HEATER PART NUMBER	NOM (kW)	APPLICATION (kW)	APPLICATION OUTPUT (MBH)	SINGLE POINT OR JUNCTION PART NUMBER CRSINGLEXXXXA00			
							No CO or Unpowered CO		With PWRD CO	
							No PE	With PE (pwrd fr/unit)	No PE	With PE (pwrd fr/unit)
A04	208/230-1-60	STD	CRHEATER323A00	4.4	3.3/4.0	11.3/13.8	—	—	—	—
			CRHEATER324A00	6.5	4.9/6.0	16.7/20.4	037	037	—	—
			CRHEATER325A00	8.7	6.5/8.0	22.3/27.3	040	040	—	—
			CRHEATER326A00	10.5	7.9/9.6	26.9/32.9	040	040	—	—
		CRHEATER327A00	13.0	9.8/11.9	33.3/40.7	041	041	—	—	
		MED	CRHEATER323A00	4.4	3.3/4.0	11.3/13.8	—	037	—	—
			CRHEATER324A00	6.5	4.9/6.0	16.7/20.4	037	040	—	—
			CRHEATER325A00	8.7	6.5/8.0	22.3/27.3	040	040	—	—
			CRHEATER326A00	10.5	7.9/9.6	26.9/32.9	040	040	—	—
		CRHEATER327A00	13.0	9.8/11.9	33.3/40.7	041	041	—	—	
		HIGH	CRHEATER323A00	4.4	3.3/4.0	11.3/13.8	037	037	—	—
			CRHEATER324A00	6.5	4.9/6.0	16.7/20.4	040	040	—	—
	CRHEATER325A00		8.7	6.5/8.0	22.3/27.3	040	040	—	—	
	CRHEATER326A00		10.5	7.9/9.6	26.9/32.9	040	040	—	—	
	CRHEATER327A00	13.0	9.8/11.9	33.3/40.7	041	041	—	—		
	208/230-3-60	STD	CRHEATER323A00	4.4	3.3/4.0	11.3/13.8	—	—	—	—
			CRHEATER324A00	6.5	4.9/6.0	16.7/20.4	—	—	—	—
			CRHEATER325A00	8.7	6.5/8.0	22.3/27.3	—	—	—	037
			CRHEATER326A00	10.5	7.9/9.6	26.9/32.9	—	037	037	037
		CRHEATER328A00	16.0	12.0/14.7	41.0/50.1	038	038	038	038	
		MED	CRHEATER323A00	4.4	3.3/4.0	11.3/13.8	—	—	—	—
			CRHEATER324A00	6.5	4.9/6.0	16.7/20.4	—	—	—	—
			CRHEATER325A00	8.7	6.5/8.0	22.3/27.3	—	—	037	037
			CRHEATER326A00	10.5	7.9/9.6	26.9/32.9	037	037	037	037
		CRHEATER328A00	16.0	12.0/14.7	41.0/50.1	038	038	038	038	
		HIGH	CRHEATER323A00	4.4	3.3/4.0	11.3/13.8	—	—	—	—
			CRHEATER324A00	6.5	4.9/6.0	16.7/20.4	—	—	—	—
	CRHEATER325A00		8.7	6.5/8.0	22.3/27.3	—	—	037	037	
	CRHEATER326A00		10.5	7.9/9.6	26.9/32.9	037	037	037	038	
	CRHEATER328A00	16.0	12.0/14.7	41.0/50.1	038	038	038	038		
	460-3-60	STD	CRHEATER333A00	6.0	5.5	18.8	—	—	—	—
			CRHEATER334A00	8.8	8.1	27.6	—	—	—	—
			CRHEATER335A00	11.5	10.6	36.0	—	—	—	—
			CRHEATER336A00	14.0	12.9	43.9	—	—	—	—
		MED	CRHEATER333A00	6.0	5.5	18.8	—	—	—	—
			CRHEATER334A00	8.8	8.1	27.6	—	—	—	—
CRHEATER335A00			11.5	10.6	36.0	—	—	—	—	
CRHEATER336A00			14.0	12.9	43.9	—	—	—	—	
HIGH		CRHEATER333A00	6.0	5.5	18.8	—	—	—	—	
		CRHEATER334A00	8.8	8.1	27.6	—	—	—	—	
		CRHEATER335A00	11.5	10.6	36.0	—	—	—	—	
		CRHEATER336A00	14.0	12.9	43.9	—	—	—	—	
575-3-60	STD	CRHEATER339A00	10.0	9.2	31.3	—	—	—	—	
		CRHEATER340A00	15.0	13.8	47.0	—	—	—	—	
	MED	CRHEATER339A00	10.0	9.2	31.3	—	—	—	—	
		CRHEATER340A00	15.0	13.8	47.0	—	—	—	—	
	HIGH	CRHEATER339A00	10.0	9.2	31.3	—	—	—	—	
		CRHEATER340A00	15.0	13.8	47.0	—	—	—	—	

50FCQA04 Electric Heat Data — with Non-Fused Disconnect

50FCQ UNIT SIZE	NOM. V-Ph-Hz	IFM TYPE	ELECTRIC HEATER PART NUMBER	NOM (kW)	APPLICATION (kW)	APPLICATION OUTPUT (MBH)	SINGLE POINT OR JUNCTION PART NUMBER CRSINGLEXXXXA00			
							No CO or Unpowered CO		With PWRD CO	
							No PE	With PE (pwrd fr/unit)	No PE	With PE (pwrd fr/unit)
A04	208/230-1-60	STD	CRHEATER323A00	4.4	3.3/4.0	11.3/13.8	037	037	—	—
			CRHEATER324A00	6.5	4.9/6.0	16.7/20.4	037	037	—	—
			CRHEATER325A00	8.7	6.5/8.0	22.3/27.3	040	040	—	—
			CRHEATER326A00	10.5	7.9/9.6	26.9/32.9	040	040	—	—
		CRHEATER327A00	13.0	9.8/11.9	33.3/40.7	041	041	—	—	
		MED	CRHEATER323A00	4.4	3.3/4.0	11.3/13.8	037	037	—	—
			CRHEATER324A00	6.5	4.9/6.0	16.7/20.4	037	040	—	—
			CRHEATER325A00	8.7	6.5/8.0	22.3/27.3	040	040	—	—
			CRHEATER326A00	10.5	7.9/9.6	26.9/32.9	040	040	—	—
		CRHEATER327A00	13.0	9.8/11.9	33.3/40.7	041	041	—	—	
		HIGH	CRHEATER323A00	4.4	3.3/4.0	11.3/13.8	037	037	—	—
			CRHEATER324A00	6.5	4.9/6.0	16.7/20.4	040	040	—	—
	CRHEATER325A00		8.7	6.5/8.0	22.3/27.3	040	040	—	—	
	CRHEATER326A00		10.5	7.9/9.6	26.9/32.9	040	040	—	—	
	CRHEATER327A00	13.0	9.8/11.9	33.3/40.7	041	041	—	—		
	208/230-3-60	STD	CRHEATER323A00	4.4	3.3/4.0	11.3/13.8	037	037	037	037
			CRHEATER324A00	6.5	4.9/6.0	16.7/20.4	037	037	037	037
			CRHEATER325A00	8.7	6.5/8.0	22.3/27.3	037	037	037	037
			CRHEATER326A00	10.5	7.9/9.6	26.9/32.9	037	037	037	037
		CRHEATER328A00	16.0	12.0/14.7	41.0/50.1	038	038	038	038	
		MED	CRHEATER323A00	4.4	3.3/4.0	11.3/13.8	037	037	037	037
			CRHEATER324A00	6.5	4.9/6.0	16.7/20.4	037	037	037	037
			CRHEATER325A00	8.7	6.5/8.0	22.3/27.3	037	037	037	037
			CRHEATER326A00	10.5	7.9/9.6	26.9/32.9	037	037	037	037
		CRHEATER328A00	16.0	12.0/14.7	41.0/50.1	038	038	038	038	
		HIGH	CRHEATER323A00	4.4	3.3/4.0	11.3/13.8	037	037	037	037
			CRHEATER324A00	6.5	4.9/6.0	16.7/20.4	037	037	037	037
	CRHEATER325A00		8.7	6.5/8.0	22.3/27.3	037	037	037	037	
	CRHEATER326A00		10.5	7.9/9.6	26.9/32.9	037	037	037	038	
	CRHEATER328A00	16.0	12.0/14.7	41.0/50.1	038	038	038	038		
	460-3-60	STD	CRHEATER333A00	6.0	5.5	18.8	—	—	—	—
			CRHEATER334A00	8.8	8.1	27.6	—	—	—	—
			CRHEATER335A00	11.5	10.6	36.0	—	—	—	—
			CRHEATER336A00	14.0	12.9	43.9	—	—	—	—
		MED	CRHEATER333A00	6.0	5.5	18.8	—	—	—	—
			CRHEATER334A00	8.8	8.1	27.6	—	—	—	—
CRHEATER335A00			11.5	10.6	36.0	—	—	—	—	
CRHEATER336A00			14.0	12.9	43.9	—	—	—	—	
HIGH		CRHEATER333A00	6.0	5.5	18.8	—	—	—	—	
		CRHEATER334A00	8.8	8.1	27.6	—	—	—	—	
		CRHEATER335A00	11.5	10.6	36.0	—	—	—	—	
		CRHEATER336A00	14.0	12.9	43.9	—	—	—	—	
575-3-60	STD	CRHEATER339A00	10.0	9.2	31.3	—	—	—	—	
		CRHEATER340A00	15.0	13.8	47.0	—	—	—	—	
	MED	CRHEATER339A00	10.0	9.2	31.3	—	—	—	—	
		CRHEATER340A00	15.0	13.8	47.0	—	—	—	—	
	HIGH	CRHEATER339A00	10.0	9.2	31.3	—	—	—	—	
		CRHEATER340A00	15.0	13.8	47.0	—	—	—	—	

50FCQC05 Electric Heat Data — without Non-Fused Disconnect

50FCQ UNIT SIZE	NOM. V-Ph-Hz	IFM TYPE	ELECTRIC HEATER PART NUMBER	NOM (kW)	APPLICATION (kW)	APPLICATION OUTPUT (MBH)	SINGLE POINT OR JUNCTION PART NUMBER CRSINGLEXXXXA00			
							No CO or Unpowered CO		With PWRD CO	
							No PE	With PE (pwrd fr/unit)	No PE	With PE (pwrd fr/unit)
C05	208/230-1-60	STD	CRHEATER323A00	4.4	3.3/4.0	11.3/13.8	040	040	040	040
			CRHEATER325A00	8.7	6.5/8.0	22.3/27.3	040	040	040	040
			CRHEATER327A00	13.0	9.8/11.9	33.3/40.7	041	041	041	041
			CRHEATER329A00	17.4	13.1/16.0	44.6/54.5	041	041	041	041
			CRHEATER330A00	19.2	14.4/17.6	49.2/60.2	041	041	041	041
			CRHEATER331A00	21.0	15.8/19.3	53.8/65.8	041	041	041	041
		MED	CRHEATER323A00	4.4	3.3/4.0	11.3/13.8	040	040	040	040
			CRHEATER325A00	8.7	6.5/8.0	22.3/27.3	040	040	040	040
			CRHEATER327A00	13.0	9.8/11.9	33.3/40.7	041	041	041	041
			CRHEATER329A00	17.4	13.1/16.0	44.6/54.5	041	041	041	041
			CRHEATER330A00	19.2	14.4/17.6	49.2/60.2	041	041	041	041
			CRHEATER331A00	21.0	15.8/19.3	53.8/65.8	041	041	041	041
		HIGH	CRHEATER323A00	4.4	3.3/4.0	11.3/13.8	040	040	040	040
			CRHEATER325A00	8.7	6.5/8.0	22.3/27.3	040	040	040	040
			CRHEATER327A00	13.0	9.8/11.9	33.3/40.7	041	041	041	041
			CRHEATER329A00	17.4	13.1/16.0	44.6/54.5	041	041	041	041
			CRHEATER330A00	19.2	14.4/17.6	49.2/60.2	041	041	041	041
			CRHEATER331A00	21.0	15.8/19.3	53.8/65.8	041	041	041	041

50FCQC05 Electric Heat Data — with Non-Fused Disconnect

50FCQ UNIT SIZE	NOM. V-Ph-Hz	IFM TYPE	ELECTRIC HEATER PART NUMBER	NOM (kW)	APPLICATION (kW)	APPLICATION OUTPUT (MBH)	SINGLE POINT OR JUNCTION PART NUMBER CRSINGLEXXXXA00			
							No CO or Unpowered CO		With PWRD CO	
							No PE	With PE (pwrd fr/unit)	No PE	With PE (pwrd fr/unit)
C05	208/230-1-60	STD	CRHEATER323A00	4.4	3.3/4.0	11.3/13.8	040	040	040	040
			CRHEATER325A00	8.7	6.5/8.0	22.3/27.3	040	040	040	040
			CRHEATER327A00	13.0	9.8/11.9	33.3/40.7	041	041	041	041
			CRHEATER329A00	17.4	13.1/16.0	44.6/54.5	041	041	041	041
			CRHEATER330A00	19.2	14.4/17.6	49.2/60.2	041	041	041	041
			CRHEATER331A00	21.0	15.8/19.3	53.8/65.8	041	041	041	041
		MED	CRHEATER323A00	4.4	3.3/4.0	11.3/13.8	040	040	040	040
			CRHEATER325A00	8.7	6.5/8.0	22.3/27.3	040	040	040	040
			CRHEATER327A00	13.0	9.8/11.9	33.3/40.7	041	041	041	041
			CRHEATER329A00	17.4	13.1/16.0	44.6/54.5	041	041	041	041
			CRHEATER330A00	19.2	14.4/17.6	49.2/60.2	041	041	041	041
			CRHEATER331A00	21.0	15.8/19.3	53.8/65.8	041	041	041	041
		HIGH	CRHEATER323A00	4.4	3.3/4.0	11.3/13.8	040	040	040	040
			CRHEATER325A00	8.7	6.5/8.0	22.3/27.3	040	040	040	040
			CRHEATER327A00	13.0	9.8/11.9	33.3/40.7	041	041	041	041
			CRHEATER329A00	17.4	13.1/16.0	44.6/54.5	041	041	041	041
			CRHEATER330A00	19.2	14.4/17.6	49.2/60.2	041	041	041	041
			CRHEATER331A00	21.0	15.8/19.3	53.8/65.8	041	041	041	041

50FCQA05 Electric Heat Data — without Non-Fused Disconnect

50FCQ UNIT SIZE	NOM. V-Ph-Hz	IFM TYPE	ELECTRIC HEATER PART NUMBER	NOM (kW)	APPLICATION (kW)	APPLICATION OUTPUT (MBH)	SINGLE POINT OR JUNCTION PART NUMBER CRSINGLEXXXA00			
							No CO or Unpowered CO		With PWRD CO	
							No PE	With PE (pwrd fr/unit)	No PE	With PE (pwrd fr/unit)
A05	208/230-3-60	STD	CRHEATER323A00	4.4	3.3/4.0	11.3/13.8	—	—	—	—
			CRHEATER324A00	6.5	4.9/6.0	16.7/20.4	—	—	—	—
			CRHEATER325A00	8.7	6.5/8.0	22.3/27.3	—	037	037	037
			CRHEATER328A00	16.0	12.0/14.7	41.0/50.1	038	038	038	038
			CRHEATER330A00	19.2	14.4/17.6	49.2/60.2	039	039	039	039
		CRHEATER331A00	21.0	15.8/19.3	53.8/65.8	039	039	039	039	
		MED	CRHEATER323A00	4.4	3.3/4.0	11.3/13.8	—	—	—	—
			CRHEATER324A00	6.5	4.9/6.0	16.7/20.4	—	—	—	037
			CRHEATER325A00	8.7	6.5/8.0	22.3/27.3	037	037	037	037
			CRHEATER328A00	16.0	12.0/14.7	41.0/50.1	038	038	038	038
			CRHEATER330A00	19.2	14.4/17.6	49.2/60.2	039	039	039	039
		CRHEATER331A00	21.0	15.8/19.3	53.8/65.8	039	039	039	039	
		HIGH	CRHEATER323A00	4.4	3.3/4.0	11.3/13.8	—	—	—	—
			CRHEATER324A00	6.5	4.9/6.0	16.7/20.4	—	—	—	—
			CRHEATER325A00	8.7	6.5/8.0	22.3/27.3	—	037	037	037
	CRHEATER328A00		16.0	12.0/14.7	41.0/50.1	038	038	038	038	
	CRHEATER330A00		19.2	14.4/17.6	49.2/60.2	039	039	039	039	
	CRHEATER331A00	21.0	15.8/19.3	53.8/65.8	039	039	039	039		
	460-3-60	STD	CRHEATER333A00	6.0	5.5	18.8	—	—	—	—
			CRHEATER335A00	11.5	10.6	36.0	—	—	—	—
			CRHEATER336A00	14.0	12.9	43.9	—	—	—	—
			CRHEATER337A00	21.5	19.7	67.4	037	037	037	037
			CRHEATER333A00	6.0	5.5	18.8	—	—	—	—
		MED	CRHEATER335A00	11.5	10.6	36.0	—	—	—	—
			CRHEATER336A00	14.0	12.9	43.9	—	—	—	—
			CRHEATER337A00	21.5	19.7	67.4	037	037	037	037
			CRHEATER333A00	6.0	5.5	18.8	—	—	—	—
		HIGH	CRHEATER335A00	11.5	10.6	36.0	—	—	—	—
			CRHEATER336A00	14.0	12.9	43.9	—	—	—	—
			CRHEATER337A00	21.5	19.7	67.4	037	037	037	037
CRHEATER333A00			6.0	5.5	18.8	—	—	—	—	
575-3-60		STD	CRHEATER339A00	10.0	9.2	31.3	—	—	—	—
			CRHEATER340A00	15.0	13.8	47.0	—	—	—	—
	MED	CRHEATER339A00	10.0	9.2	31.3	—	—	—	—	
		CRHEATER340A00	15.0	13.8	47.0	—	—	—	—	
	HIGH	CRHEATER339A00	10.0	9.2	31.3	—	—	—	—	
		CRHEATER340A00	15.0	13.8	47.0	—	—	—	—	

50FCQA05 Electric Heat Data — with Non-Fused Disconnect

50FCQ UNIT SIZE	NOM. V-Ph-Hz	IFM TYPE	ELECTRIC HEATER PART NUMBER	NOM (kW)	APPLICATION (kW)	APPLICATION OUTPUT (MBH)	SINGLE POINT OR JUNCTION PART NUMBER CRSINGLEXXA00			
							No CO or Unpowered CO		With PWRD CO	
							No PE	With PE (pwrd fr/unit)	No PE	With PE (pwrd fr/unit)
A05	208/230-3-60	STD	CRHEATER323A00	4.4	3.3/4.0	11.3/13.8	037	037	037	037
			CRHEATER324A00	6.5	4.9/6.0	16.7/20.4	037	037	037	037
			CRHEATER325A00	8.7	6.5/8.0	22.3/27.3	037	037	037	037
			CRHEATER328A00	16.0	12.0/14.7	41.0/50.1	038	038	038	038
			CRHEATER330A00	19.2	14.4/17.6	49.2/60.2	039	039	039	039
		CRHEATER331A00	21.0	15.8/19.3	53.8/65.8	039	039	039	039	
		MED	CRHEATER323A00	4.4	3.3/4.0	11.3/13.8	037	037	037	037
			CRHEATER324A00	6.5	4.9/6.0	16.7/20.4	037	037	037	037
			CRHEATER325A00	8.7	6.5/8.0	22.3/27.3	037	037	037	037
			CRHEATER328A00	16.0	12.0/14.7	41.0/50.1	038	038	038	038
			CRHEATER330A00	19.2	14.4/17.6	49.2/60.2	039	039	039	039
		HIGH	CRHEATER331A00	21.0	15.8/19.3	53.8/65.8	039	039	039	039
			CRHEATER323A00	4.4	3.3/4.0	11.3/13.8	037	037	037	037
			CRHEATER324A00	6.5	4.9/6.0	16.7/20.4	037	037	037	037
			CRHEATER325A00	8.7	6.5/8.0	22.3/27.3	037	037	037	037
	CRHEATER328A00		16.0	12.0/14.7	41.0/50.1	038	038	038	038	
	460-3-60	STD	CRHEATER333A00	6.0	5.5	18.8	—	—	—	—
			CRHEATER335A00	11.5	10.6	36.0	—	—	—	—
			CRHEATER336A00	14.0	12.9	43.9	—	—	—	—
			CRHEATER337A00	21.5	19.7	67.4	037	037	037	037
			CRHEATER333A00	6.0	5.5	18.8	—	—	—	—
		MED	CRHEATER335A00	11.5	10.6	36.0	—	—	—	—
			CRHEATER336A00	14.0	12.9	43.9	—	—	—	—
			CRHEATER337A00	21.5	19.7	67.4	037	037	037	037
			CRHEATER333A00	6.0	5.5	18.8	—	—	—	—
		HIGH	CRHEATER335A00	11.5	10.6	36.0	—	—	—	—
			CRHEATER336A00	14.0	12.9	43.9	—	—	—	—
			CRHEATER337A00	21.5	19.7	67.4	037	037	037	037
			CRHEATER333A00	6.0	5.5	18.8	—	—	—	—
		575-3-60	STD	CRHEATER339A00	10.0	9.2	31.3	—	—	—
CRHEATER340A00				15.0	13.8	47.0	—	—	—	—
MED	CRHEATER339A00		10.0	9.2	31.3	—	—	—	—	
	CRHEATER340A00		15.0	13.8	47.0	—	—	—	—	
HIGH	CRHEATER339A00		10.0	9.2	31.3	—	—	—	—	
	CRHEATER340A00		15.0	13.8	47.0	—	—	—	—	

50FCQA06 Electric Heat Data — without Non-Fused Disconnect

50FCQ UNIT SIZE	NOM. V-Ph-Hz	IFM TYPE	ELECTRIC HEATER PART NUMBER	NOM (kW)	APPLICATION (kW)	APPLICATION OUTPUT (MBH)	SINGLE POINT OR JUNCTION PART NUMBER CRSINGLEXXXXA00				
							No CO or Unpowered CO		With PWRD CO		
							No PE	With PE (pwrd fr/unit)	No PE	With PE (pwrd fr/unit)	
A06	208/230-1-60	STD	CRHEATER324A00	6.5	4.9/6.0	16.7/20.4	040	040	—	—	
			CRHEATER325A00	8.7	6.5/8.0	22.3/27.3	040	040	—	—	
			CRHEATER327A00	13.0	9.8/11.9	33.3/40.7	041	041	—	—	
			CRHEATER329A00	17.4	13.1/16.0	44.6/54.5	041	041	—	—	
			CRHEATER331A00	21.0	15.8/19.3	53.8/65.8	041	041	—	—	
		MED	CRHEATER324A00	6.5	4.9/6.0	16.7/20.4	040	040	—	—	
			CRHEATER325A00	8.7	6.5/8.0	22.3/27.3	040	040	—	—	
			CRHEATER327A00	13.0	9.8/11.9	33.3/40.7	041	041	—	—	
			CRHEATER329A00	17.4	13.1/16.0	44.6/54.5	041	041	—	—	
			CRHEATER331A00	21.0	15.8/19.3	53.8/65.8	041	041	—	—	
		208/230-3-60	STD	CRHEATER324A00	6.5	4.9/6.0	16.7/20.4	—	037	037	037
				CRHEATER326A00	10.5	7.9/9.6	26.9/32.9	038	038	038	038
				CRHEATER328A00	16.0	12.0/14.7	41.0/50.1	038	038	038	038
				CRHEATER331A00	21.0	15.8/19.3	53.8/65.8	039	039	039	039
	CRHEATER332A00			24.5	18.4/22.5	62.8/76.8	039	039	039	039	
	MED		CRHEATER324A00	6.5	4.9/6.0	16.7/20.4	—	037	037	037	
			CRHEATER326A00	10.5	7.9/9.6	26.9/32.9	038	038	038	038	
			CRHEATER328A00	16.0	12.0/14.7	41.0/50.1	038	038	038	038	
			CRHEATER331A00	21.0	15.8/19.3	53.8/65.8	039	039	039	039	
			CRHEATER332A00	24.5	18.4/22.5	62.8/76.8	039	039	039	039	
	HIGH		CRHEATER324A00	6.5	4.9/6.0	16.7/20.4	—	—	037	037	
			CRHEATER326A00	10.5	7.9/9.6	26.9/32.9	037	038	038	038	
			CRHEATER328A00	16.0	12.0/14.7	41.0/50.1	038	038	038	038	
			CRHEATER331A00	21.0	15.8/19.3	53.8/65.8	039	039	039	039	
			CRHEATER332A00	24.5	18.4/22.5	62.8/76.8	039	039	039	039	
	460-3-60		STD	CRHEATER333A00	6.0	5.5	18.8	—	—	—	—
		CRHEATER335A00		11.5	10.6	36.0	—	—	—	—	
		CRHEATER336A00		14.0	12.9	43.9	—	—	—	—	
		CRHEATER337A00		21.5	19.7	67.4	037	037	037	037	
		CRHEATER338A00		24.0	22.0	75.2	037	037	037	037	
		MED	CRHEATER333A00	6.0	5.5	18.8	—	—	—	—	
			CRHEATER335A00	11.5	10.6	36.0	—	—	—	—	
			CRHEATER336A00	14.0	12.9	43.9	—	—	—	—	
			CRHEATER337A00	21.5	19.7	67.4	037	037	037	037	
			CRHEATER338A00	24.0	22.0	75.2	037	037	037	037	
		HIGH	CRHEATER333A00	6.0	5.5	18.8	—	—	—	—	
			CRHEATER335A00	11.5	10.6	36.0	—	—	—	—	
			CRHEATER336A00	14.0	12.9	43.9	—	—	—	—	
			CRHEATER337A00	21.5	19.7	67.4	037	037	037	037	
	575-3-60	STD	CRHEATER340A00	15.0	13.8	47.0	—	—	—	—	
CRHEATER341A00			21.0	19.3	65.8	037	037	037	037		
MED		CRHEATER340A00	15.0	13.8	47.0	—	—	—	—		
		CRHEATER341A00	21.0	19.3	65.8	037	037	037	037		
HIGH		CRHEATER340A00	15.0	13.8	47.0	—	—	—	—		
		CRHEATER341A00	21.0	19.3	65.8	037	037	037	037		

50FCQA06 Electric Heat Data — with Non-Fused Disconnect

50FCQ UNIT SIZE	NOM. V-Ph-Hz	IFM TYPE	ELECTRIC HEATER PART NUMBER	NOM (kW)	APPLICATION (kW)	APPLICATION OUTPUT (MBH)	SINGLE POINT OR JUNCTION PART NUMBER CRSINGLEXXXXA00					
							No CO or Unpowered CO		With PWRD CO			
							No PE	With PE (pwrd fr/unit)	No PE	With PE (pwrd fr/unit)		
A06	208/230-1-60	STD	CRHEATER324A00	6.5	4.9/6.0	16.7/20.4	040	040	—	—		
			CRHEATER325A00	8.7	6.5/8.0	22.3/27.3	040	040	—	—		
			CRHEATER327A00	13.0	9.8/11.9	33.3/40.7	041	041	—	—		
			CRHEATER329A00	17.4	13.1/16.0	44.6/54.5	041	041	—	—		
			CRHEATER331A00	21.0	15.8/19.3	53.8/65.8	041	041	—	—		
		MED	CRHEATER324A00	6.5	4.9/6.0	16.7/20.4	040	040	—	—		
			CRHEATER325A00	8.7	6.5/8.0	22.3/27.3	040	040	—	—		
			CRHEATER327A00	13.0	9.8/11.9	33.3/40.7	041	041	—	—		
			CRHEATER329A00	17.4	13.1/16.0	44.6/54.5	041	041	—	—		
			CRHEATER331A00	21.0	15.8/19.3	53.8/65.8	041	041	—	—		
			208/230-3-60	STD	CRHEATER324A00	6.5	4.9/6.0	16.7/20.4	037	037	037	037
					CRHEATER326A00	10.5	7.9/9.6	26.9/32.9	038	038	038	038
	CRHEATER328A00	16.0			12.0/14.7	41.0/50.1	038	038	038	038		
	CRHEATER331A00	21.0			15.8/19.3	53.8/65.8	039	039	039	039		
	CRHEATER332A00	24.5			18.4/22.5	62.8/76.8	039	039	039	039		
	MED	CRHEATER324A00		6.5	4.9/6.0	16.7/20.4	037	037	037	037		
		CRHEATER326A00		10.5	7.9/9.6	26.9/32.9	038	038	038	038		
		CRHEATER328A00		16.0	12.0/14.7	41.0/50.1	038	038	038	038		
		CRHEATER331A00		21.0	15.8/19.3	53.8/65.8	039	039	039	039		
		CRHEATER332A00		24.5	18.4/22.5	62.8/76.8	039	039	039	039		
		HIGH		CRHEATER324A00	6.5	4.9/6.0	16.7/20.4	037	037	037	037	
				CRHEATER326A00	10.5	7.9/9.6	26.9/32.9	037	038	038	038	
	CRHEATER328A00		16.0	12.0/14.7	41.0/50.1	038	038	038	038			
	CRHEATER331A00		21.0	15.8/19.3	53.8/65.8	039	039	039	039			
	CRHEATER332A00		24.5	18.4/22.5	62.8/76.8	039	039	039	039			
	460-3-60	STD	CRHEATER333A00	6.0	5.5	18.8	—	—	—	—		
			CRHEATER335A00	11.5	10.6	36.0	—	—	—	—		
			CRHEATER336A00	14.0	12.9	43.9	—	—	—	—		
			CRHEATER337A00	21.5	19.7	67.4	037	037	037	037		
			CRHEATER338A00	24.0	22.0	75.2	037	037	037	037		
		MED	CRHEATER333A00	6.0	5.5	18.8	—	—	—	—		
			CRHEATER335A00	11.5	10.6	36.0	—	—	—	—		
			CRHEATER336A00	14.0	12.9	43.9	—	—	—	—		
			CRHEATER337A00	21.5	19.7	67.4	037	037	037	037		
			CRHEATER338A00	24.0	22.0	75.2	037	037	037	037		
		HIGH	CRHEATER333A00	6.0	5.5	18.8	—	—	—	—		
CRHEATER335A00			11.5	10.6	36.0	—	—	—	—			
CRHEATER336A00			14.0	12.9	43.9	—	—	—	—			
CRHEATER337A00			21.5	19.7	67.4	037	037	037	037			
CRHEATER338A00			24.0	22.0	75.2	037	037	037	037			
575-3-60			STD	CRHEATER340A00	15.0	13.8	47.0	—	—	—	—	
				CRHEATER341A00	21.0	19.3	65.8	037	037	037	037	
			MED	CRHEATER340A00	15.0	13.8	47.0	—	—	—	—	
	CRHEATER341A00	21.0		19.3	65.8	037	037	037	037			
	HIGH	CRHEATER340A00	15.0	13.8	47.0	—	—	—	—			
CRHEATER341A00	21.0	19.3	65.8	037	037	037	037					

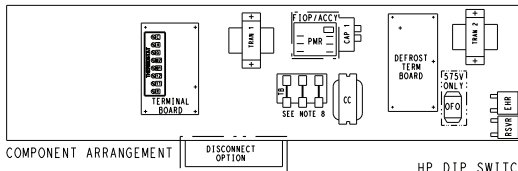
50FCQM07 Electric Heat Data — without Non-Fused Disconnect

50FCQ UNIT SIZE	NOM. V-Ph-Hz	IFM TYPE	ELECTRIC HEATER PART NUMBER	NOM (kW)	APPLICATION (kW)	APPLICATION OUTPUT (MBH)	SINGLE POINT OR JUNCTION PART NUMBER CRSINGLEXXA00			
							No CO or Unpowered CO		With PWRD CO	
							No PE	With PE (pwrd fr/unit)	No PE	With PE (pwrd fr/unit)
M07	208/230-3-60	STD	CRHEATER324A00	6.5	4.9/6.0	16.7/20.4	037	037	037	037
			CRHEATER326A00	10.5	7.9/9.6	26.9/32.9	038	038	038	038
			CRHEATER328A00	16.0	12.0/14.7	41.0/50.1	038	038	038	038
			CRHEATER331A00	21.0	15.8/19.3	53.8/65.8	039	039	039	039
			CRHEATER332A00	24.5	18.4/22.5	62.8/76.8	039	039	039	039
		MED	CRHEATER324A00	6.5	4.9/6.0	16.7/20.4	—	—	037	037
			CRHEATER326A00	10.5	7.9/9.6	26.9/32.9	038	038	038	038
			CRHEATER328A00	16.0	12.0/14.7	41.0/50.1	038	038	038	038
			CRHEATER331A00	21.0	15.8/19.3	53.8/65.8	039	039	039	039
			CRHEATER332A00	24.5	18.4/22.5	62.8/76.8	039	039	039	039
		HIGH	CRHEATER324A00	6.5	4.9/6.0	16.7/20.4	—	037	037	037
			CRHEATER326A00	10.5	7.9/9.6	26.9/32.9	038	038	038	038
			CRHEATER328A00	16.0	12.0/14.7	41.0/50.1	038	038	038	038
			CRHEATER331A00	21.0	15.8/19.3	53.8/65.8	039	039	039	039
			CRHEATER332A00	24.5	18.4/22.5	62.8/76.8	039	039	039	039
	460-3-60	STD	CRHEATER333A00	6.0	5.5	18.8	—	—	—	—
			CRHEATER335A00	11.5	10.6	36.0	—	—	—	—
			CRHEATER336A00	14.0	12.9	43.9	—	—	—	—
			CRHEATER337A00	21.5	19.7	67.4	037	037	037	037
			CRHEATER338A00	24.0	22.0	75.2	037	037	037	037
		MED	CRHEATER333A00	6.0	5.5	18.8	—	—	—	—
			CRHEATER335A00	11.5	10.6	36.0	—	—	—	—
			CRHEATER336A00	14.0	12.9	43.9	—	—	—	—
			CRHEATER337A00	21.5	19.7	67.4	037	037	037	037
			CRHEATER338A00	24.0	22.0	75.2	037	037	037	037
		HIGH	CRHEATER333A00	6.0	5.5	18.8	—	—	—	—
			CRHEATER335A00	11.5	10.6	36.0	—	—	—	—
			CRHEATER336A00	14.0	12.9	43.9	—	—	—	—
			CRHEATER337A00	21.5	19.7	67.4	037	037	037	037
			CRHEATER338A00	24.0	22.0	75.2	037	037	037	037
	575-3-60	STD	CRHEATER340A00	15.0	13.8	47.0	—	—	—	—
			CRHEATER341A00	21.0	19.3	65.8	037	037	037	037
		MED	CRHEATER340A00	15.0	13.8	47.0	—	—	—	—
			CRHEATER341A00	21.0	19.3	65.8	037	037	037	037
		HIGH	CRHEATER340A00	15.0	13.8	47.0	—	—	—	—
			CRHEATER341A00	21.0	19.3	65.8	037	037	037	037

50FCQM07 Electric Heat Data — with Non-Fused Disconnect

50FCQ UNIT SIZE	NOM. V-Ph-Hz	IFM TYPE	ELECTRIC HEATER PART NUMBER	NOM (kW)	APPLICATION (kW)	APPLICATION OUTPUT (MBH)	SINGLE POINT OR JUNCTION PART NUMBER CRSINGLEXXXA00			
							No CO or Unpowered CO		With PWRD CO	
							No PE	With PE (pwrd fr/unit)	No PE	With PE (pwrd fr/unit)
M07	208/230-3-60	STD	CRHEATER324A00	6.5	4.9/6.0	16.7/20.4	037	037	037	037
			CRHEATER326A00	10.5	7.9/9.6	26.9/32.9	038	038	038	038
			CRHEATER328A00	16.0	12.0/14.7	41.0/50.1	038	038	038	038
			CRHEATER331A00	21.0	15.8/19.3	53.8/65.8	039	039	039	039
		CRHEATER332A00	24.5	18.4/22.5	62.8/76.8	039	039	039	039	
		MED	CRHEATER324A00	6.5	4.9/6.0	16.7/20.4	037	037	037	037
			CRHEATER326A00	10.5	7.9/9.6	26.9/32.9	038	038	038	038
			CRHEATER328A00	16.0	12.0/14.7	41.0/50.1	038	038	038	038
			CRHEATER331A00	21.0	15.8/19.3	53.8/65.8	039	039	039	039
		CRHEATER332A00	24.5	18.4/22.5	62.8/76.8	039	039	039	039	
		HIGH	CRHEATER324A00	6.5	4.9/6.0	16.7/20.4	037	037	037	037
			CRHEATER326A00	10.5	7.9/9.6	26.9/32.9	038	038	038	038
	CRHEATER328A00		16.0	12.0/14.7	41.0/50.1	038	038	038	038	
	CRHEATER331A00		21.0	15.8/19.3	53.8/65.8	039	039	039	039	
	CRHEATER332A00	24.5	18.4/22.5	62.8/76.8	039	039	039	039		
	460-3-60	STD	CRHEATER333A00	6.0	5.5	18.8	—	—	—	—
			CRHEATER335A00	11.5	10.6	36.0	—	—	—	—
			CRHEATER336A00	14.0	12.9	43.9	—	—	—	—
			CRHEATER337A00	21.5	19.7	67.4	037	037	037	037
		CRHEATER338A00	24.0	22.0	75.2	037	037	037	037	
		MED	CRHEATER333A00	6.0	5.5	18.8	—	—	—	—
			CRHEATER335A00	11.5	10.6	36.0	—	—	—	—
			CRHEATER336A00	14.0	12.9	43.9	—	—	—	—
			CRHEATER337A00	21.5	19.7	67.4	037	037	037	037
		CRHEATER338A00	24.0	22.0	75.2	037	037	037	037	
		HIGH	CRHEATER333A00	6.0	5.5	18.8	—	—	—	—
			CRHEATER335A00	11.5	10.6	36.0	—	—	—	—
	CRHEATER336A00		14.0	12.9	43.9	—	—	—	—	
	CRHEATER337A00		21.5	19.7	67.4	037	037	037	037	
	CRHEATER338A00	24.0	22.0	75.2	037	037	037	037		
	575-3-60	STD	CRHEATER340A00	15.0	13.8	47.0	—	—	—	—
			CRHEATER341A00	21.0	19.3	65.8	037	037	037	037
		MED	CRHEATER340A00	15.0	13.8	47.0	—	—	—	—
			CRHEATER341A00	21.0	19.3	65.8	037	037	037	037
		HIGH	CRHEATER340A00	15.0	13.8	47.0	—	—	—	—
			CRHEATER341A00	21.0	19.3	65.8	037	037	037	037

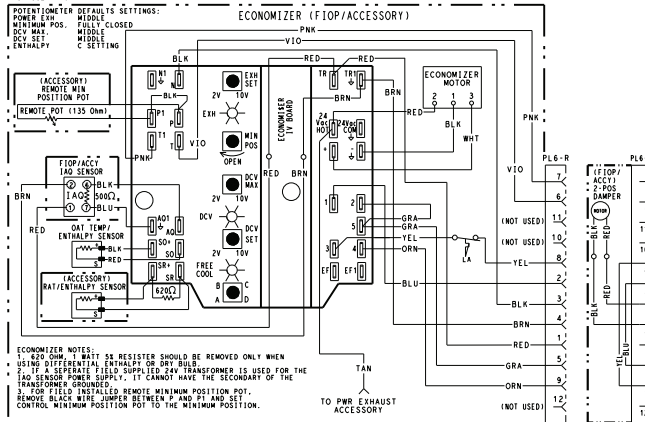
Typical Control Wiring Diagram — 50FCQA04-06 208-230, 460, 575/3/60 Unit with Electro-Mechanical Control and W712 Economizer



- NOTES:**
1. TERMINAL BOARD SCHEMATIC LAYOUT DOES NOT MATCH ACTUAL TERMINAL BOARD LAYOUT.
 2. TERMINAL BOARD JUMPERS 1, 2 AND 3 ARE CUT FOR HEATPUMP UNITS.
 3. REMOVE DESIGNATED JUMPERS ON TERMINAL BOARD WHEN ADDING SMOKE DETECTORS, OCCUPANCY AND REMOTE SHUTDOWN.
 4. USE ABC AS COURSE AND AS POT FINE ADJUSTMENTS FOR SETTING HIGH FAN SPEED. LOW SPEED IS AN OFFSET BASED ON DIP SWITCHES.



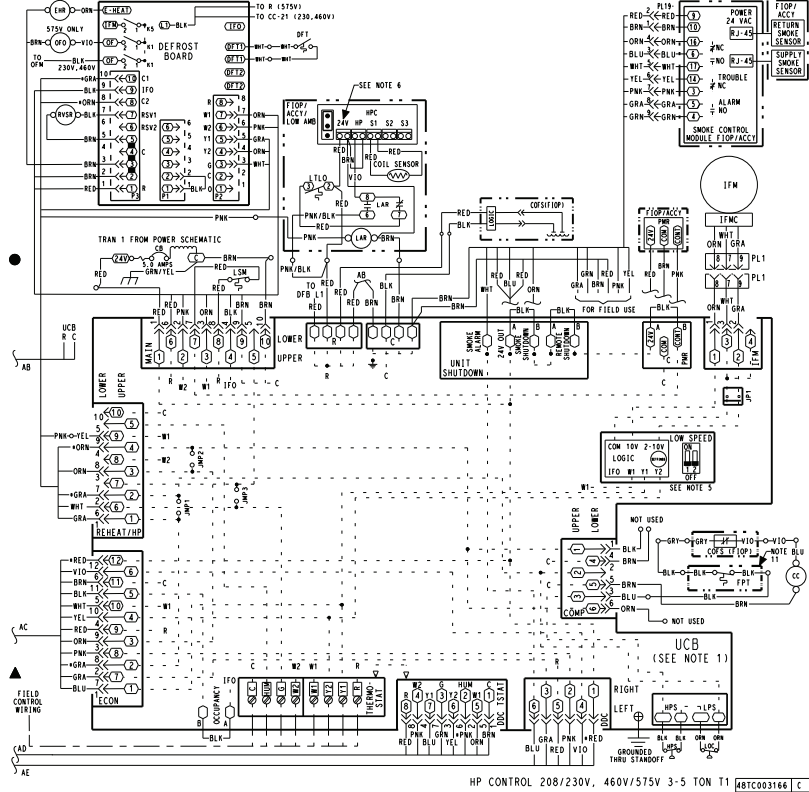
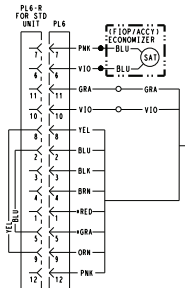
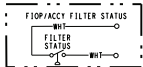
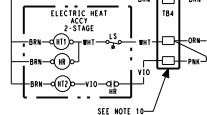
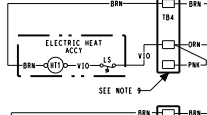
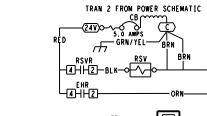
5. 2-PIN LOW SPEED DIP SWITCH POSITIONS ARE FACTORY SET AS SHOWN.
6. HARDCUT AND CUTOFF SET TO MIN. — JUMPER PIN ON TOP 2-PINS AS SHOWN.
7. THE * WIRE COLOR IS FOR DIFFERENTIATION WITHIN THIS SCHEMATIC.
8. 3-PHASE UNIT SHOWN. ON 4-PHASE UNITS THIS IS A 2-POLE TERMINAL BLOCK.
9. TB4 LOCATED IN HEAT SECTION.
10. TO CONVERT TO A SINGLE STAGE HEATER WAVE MOVIE VOLT WIRE
11. FPT IS STANDARD FOR HEATPUMP (NOT OPTIONAL), EXCEPT 7-11 (IFOPLEX) CONTROL DOES NOT USE FPT.



HP DIP SWITCH SETTINGS



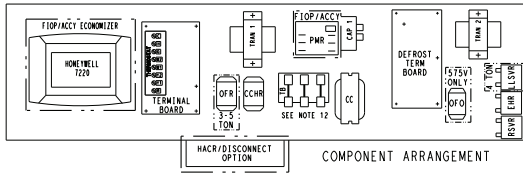
- FIELD SELECTABLE OPTIONS FOR TIME PERIOD BETWEEN DEFROST CYCLES (MINUTES).
- JUMPED TEST PINS USE SPEED UP CYCLE
- 1) MOMENTARILY SHORT PINS AND RELEASE TO BYPASS COMPRESSOR OR BELAY
 - 2) SHORT FOR 1-10 SEC. AND RELEASE FOR FORCED DEFROST.
 - 3) PERMANENT SHORT WILL BE IGNORED. DEFROST WILL TERMINATE IN 30 SEC. IF DFT IS OPEN. DEFROST WILL TERMINATE NORMALLY IF DFT IS CLOSED.



Typical wiring diagrams

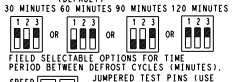


Typical Control Wiring Diagram — 50FCQM07 460-575/3/60 Unit with Electro-Mechanical Control and W7220 Economizer

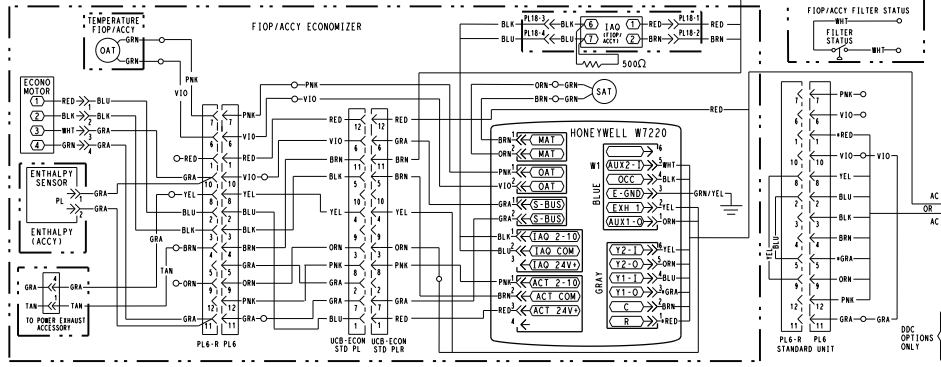
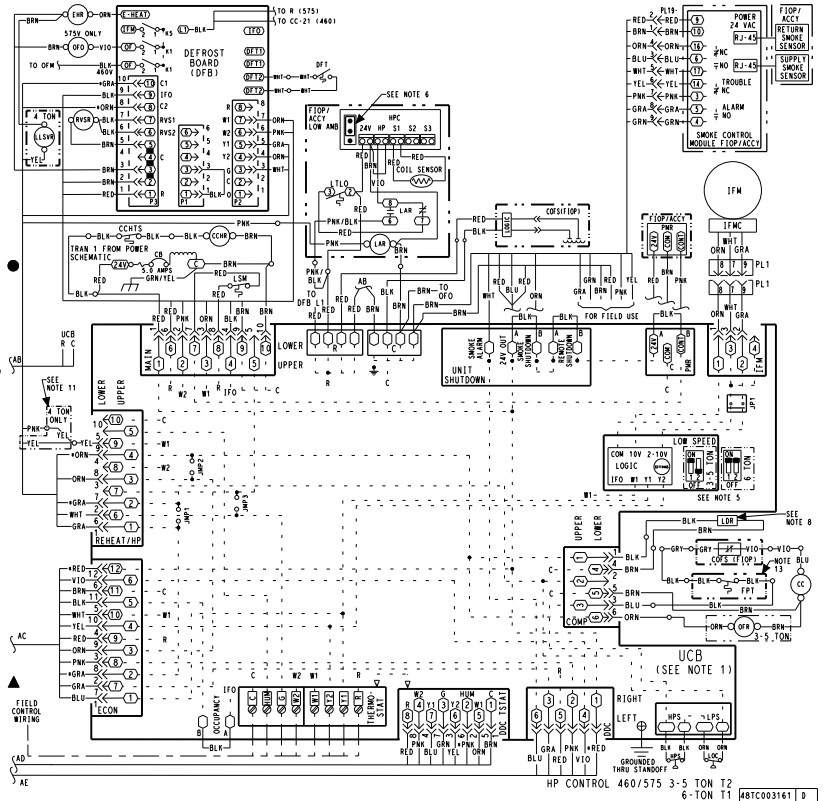
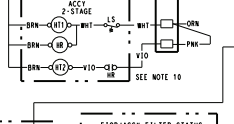
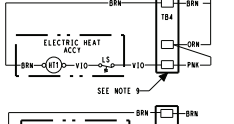
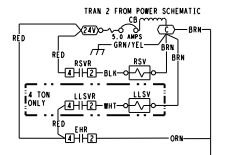


- NOTES:**
1. TERMINAL BOARD SCHEMATIC LAYOUT DOES NOT MATCH ACTUAL TERMINAL BOARD LAYOUT.
 2. TERMINAL BOARD JUMPERS 1, 2 AND 3 ARE CUT FOR HEATPUMP UNITS ONLY.
 3. REMOVE DESIGNATED JUMPERS ON TERMINAL BOARD WHEN ADDING SMOKE DETECTORS, OCCUPANCY AND REMOTE SHUTDOWN.
 4. USE ABC AS COURSE AND POT AS FINE ADJUSTMENTS FOR SETTING HIGH FAN SPEED. LOW SPEED IS AN OFFSET BASED ON DIP SWITCHES.
 5. 2-PIN LOW SPEED DIP SWITCH POSITIONS ARE FACTORY SET AS SHOWN.
 6. HARDSTART AND CUTOFF SET TO "MIN." JUMPER PIN ON TOP. 2-PINS AS SHOWN.
 7. THE "W" WIRE COLOR IS FOR DIFFERENTIATION WITHIN THIS SCHEMATIC.
 8. COMPRESSOR LONGER PULSE CONTAINS BRIDGE RECTIFIER TO CONVERT AC TO DC.
 9. TB4 LOCATED IN HEAT SECTION.
 10. TO CONVERT TO A SINGLE STAGE HEATER MOVE VIOLET WIRE AT TB4 TO CONNECT WITH WHITE WIRE.
 11. ON 3 & 5 TON UNITS, PKM FROM HPC CONNECTS DIRECTLY TO YEL FROM PIN 10.
 12. COMPONENT MAY VARY BASED ON PRODUCT & OPTIONS.
 13. FPI IS STANDARD FOR HEATPUMP (NOT OPTIONAL), EXCEPT 7-11 (ECON) CONTROL DOES NOT USE FPI.

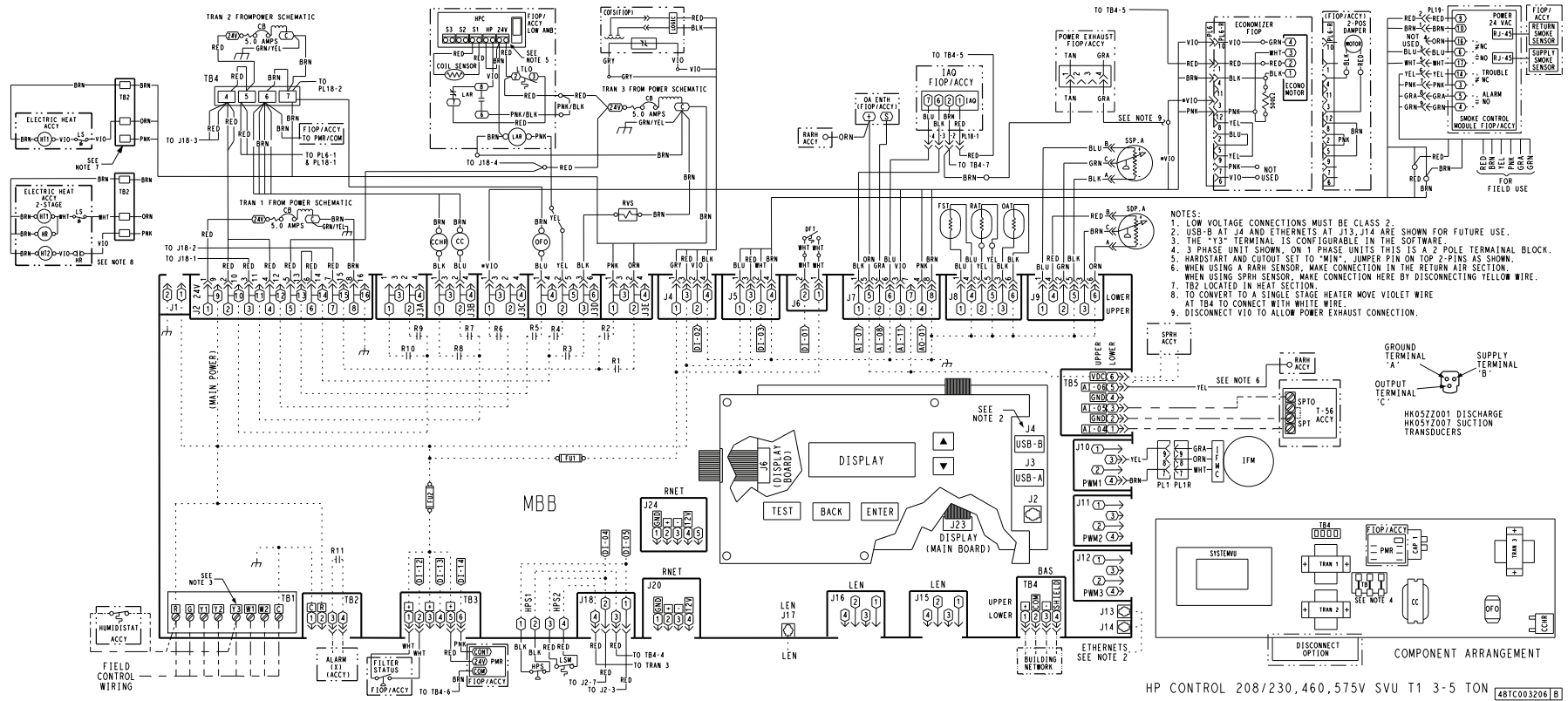
HP DIP SWITCH SETTINGS



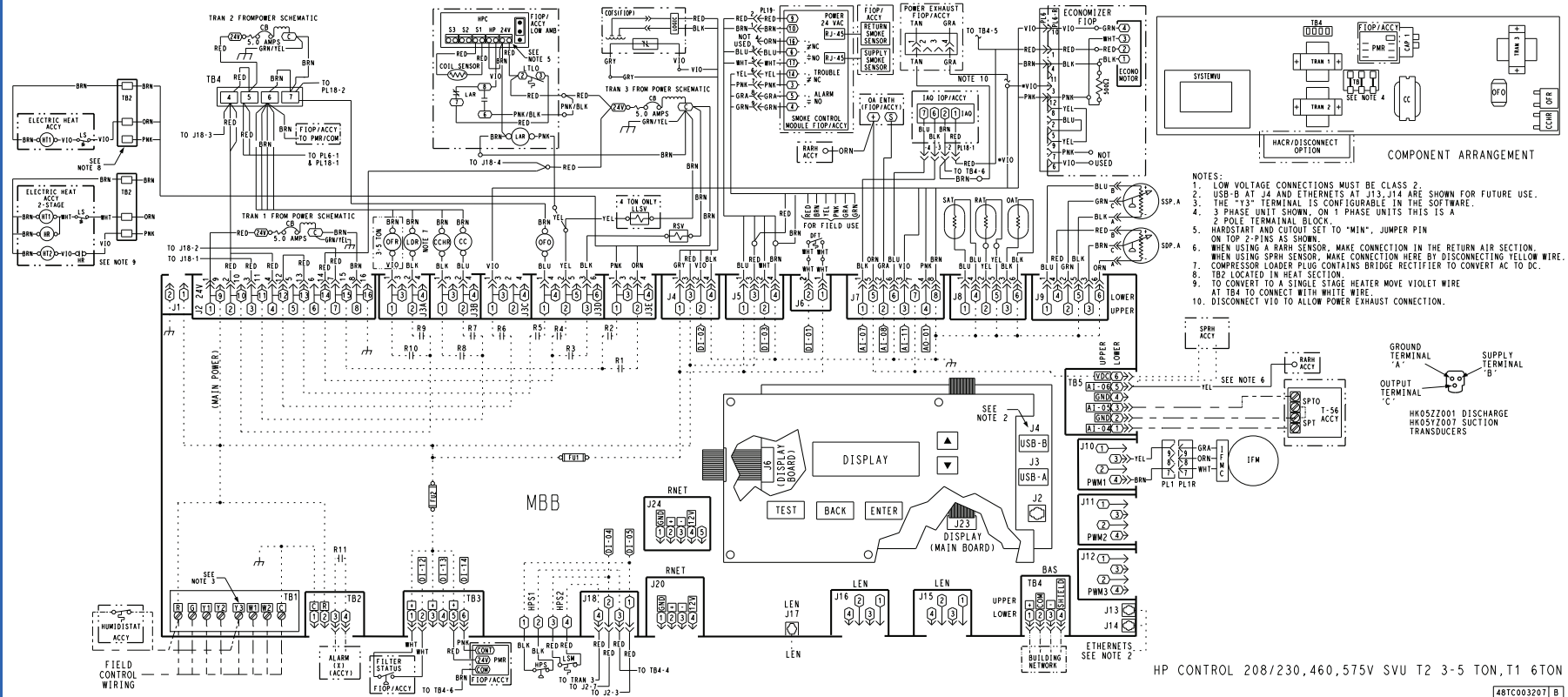
- 1) MOMENTARILY SHORT PINS AND RELEASE TO BYPASS COMPRESSOR OFF DELAY.
- 2) SHORT FOR 1-10 SEC. AND RELEASE FOR FORCED DEFROST.
- 3) PERMANENT SHORT WILL BE IGNORED. DEFROST WILL TERMINATE IN 30 SEC. IF DFT IS OPEN.



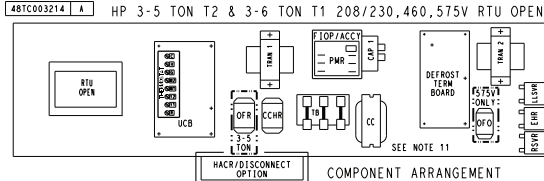
Typical Control Wiring Diagram — 50FCQA04-06 208/230, 460, 575/3/60 Unit with SystemVu Controller



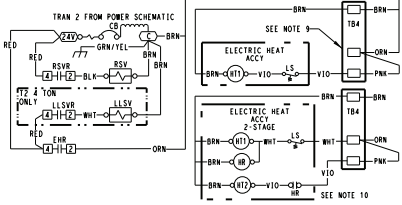
Typical Control Wiring Diagram — 50FCQM07 208/230, 460, 575/3/60 Unit with SystemVu Controller



Typical Control Wiring Diagram — 50FCQA04-06 208/230, 460, 575/3/60 Unit with RTU Open Controller

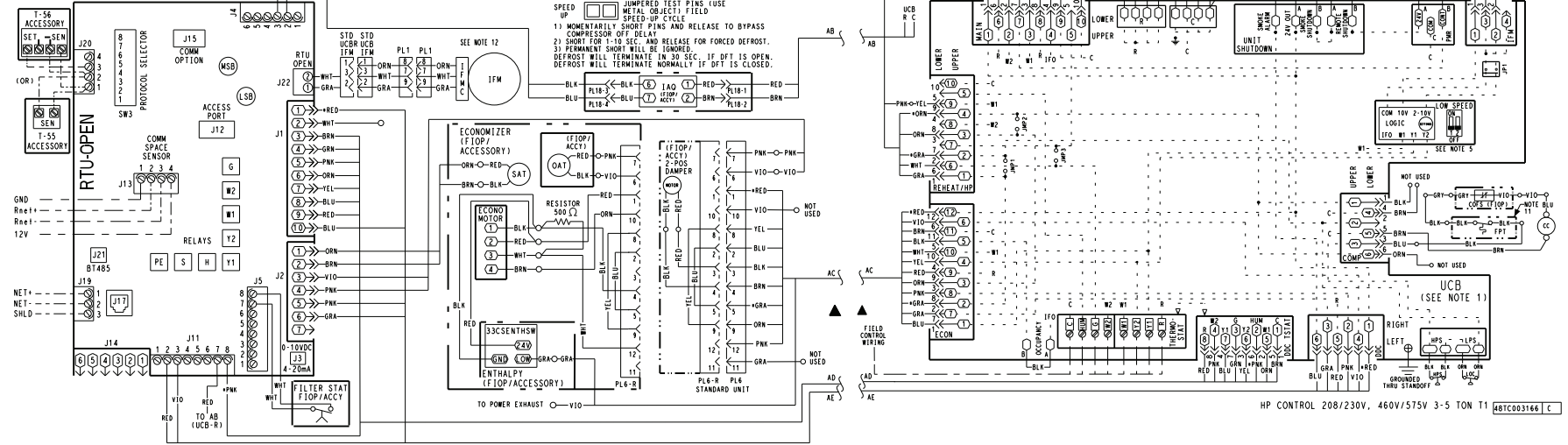


- NOTES:
1. TERMINAL BOARD SCHEMATIC LAYOUT DOES NOT MATCH ACTUAL TERMINAL BOARD LAYOUT.
 2. TERMINAL BOARD JUMPERS 1, 2 AND 3 ARE CUT FOR REHEAT ONLY.
 3. REMOVE DESIGNATED JUMPERS ON TERMINAL BOARD WHEN ADDING SMOKE DETECTORS, OCCUPANCY AND REMOTE SHUTDOWN.
 4. NOT USED ON RTU OPEN.
 5. USE RTU OPEN SETTING TO ADJUST FAN SPEED.
 6. HARVEST AND CUTOFF SET TO "MIN" JUMPER PIN ON TOP 2-PINS AS SHOWN.
 7. THE + WIRE COLOR IS FOR DIFFERENTIATION WITHIN THIS SCHEMATIC.
 8. COMPRESSOR LOADER PLUG CONTAINS BRIDGE RECTIFIER TO CONVERT AC TO DC.
 9. TBA LOCATED IN THE HEAT SECTION.
 10. TO CONVERT TO A SINGLE STAGE HEATER MOVE VIOLET WIRE AT TBA TO CONNECT WITH WHITE WIRE.
 11. COMPONENTS MAY VARY BASED ON EXACT PRODUCT AND OPTIONS.
 12. FOLLOW THIS WIRING FOR RTU OPEN. IGNORE IFM WIRING AT UCB.

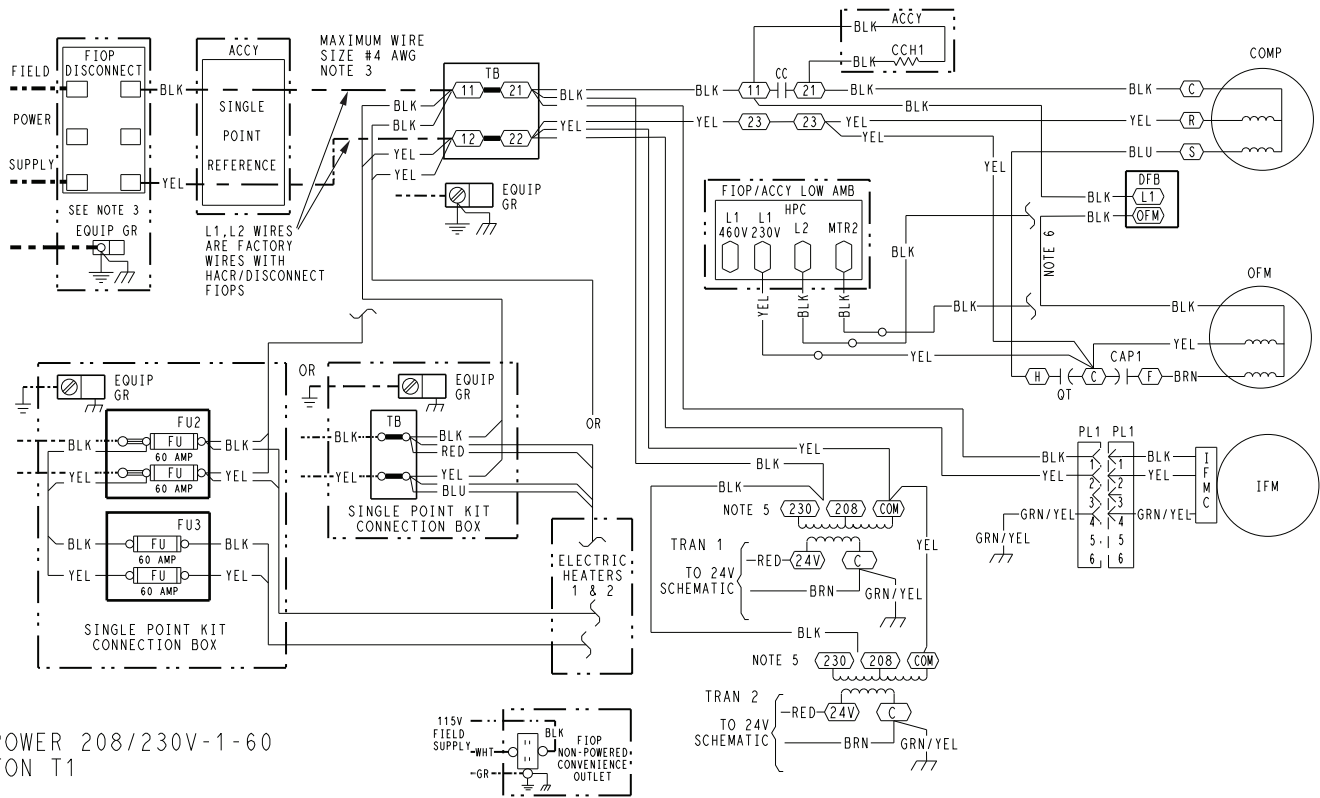


HP DIP-SWITCH SETTINGS

- 30 MINUTES 60 MINUTES 90 MINUTES 120 MINUTES
- FIELD SELECTABLE OPTIONS FOR TIME PERIOD BETWEEN DEFROST CYCLES (MINUTES).
- SPEED UP JUMPED TEST PINS (USE UP)
- 1) MOMENTARILY SHORT PINS AND RELEASE TO BYPASS COMPRESSOR OFF DELAY
- 2) SHORT FOR 1-10 SEC. AND RELEASE FOR FORCED DEFROST. DEFROST WILL TERMINATE IN 30 SEC. IF DFT IS OPEN. DEFROST WILL TERMINATE NORMALLY IF DFT IS CLOSED.
- 3) PERMANENT SHORT WILL BE IGNORED.



Typical 50FCQA04-06 Power Wiring Diagram, 208-230/1/60 Unit



HP POWER 208/230V-1-60
3-5TON T1

NOTES

1. IF ANY OF THE ORIGINAL WIRE FURNISHED MUST BE REPLACED, IT MUST BE REPLACED WITH TYPE 90° C WIRE OR ITS EQUIVALENT.
2. COMPRESSOR AND FAN MOTORS ARE THERMALLY PROTECTED.
3. USE COPPER CONDUCTOR ONLY.
4. DO NOT DISCONNECT POWER PLUG OR SIGNAL WIRE WHILE UNDER LOAD.
5. ON 208/230V UNITS, TRAN IS WIRED FOR 230V. IF UNIT IS TO BE RUN WITH 208V POWER SUPPLY, DISCONNECT BLK WIRE FROM 230V TAP AND CONNECT TO 208V TAP.
6. THIS WIRE NOT USED WITH LOW AMBIENT FIOP/ACCY.

LEGEND

- MARKED WIRE
- TERMINAL (MARKED)
- TERMINAL (UNMARKED)
- TERMINAL BLOCK
- SPLICE
- SPLICE (MARKED)
- FACTORY WIRING
- FIELD CONTROL WIRING
- FIELD POWER WIRING
- CIRCUIT BOARD TRACE
- ACCESSORY OR OPTIONAL WIRING

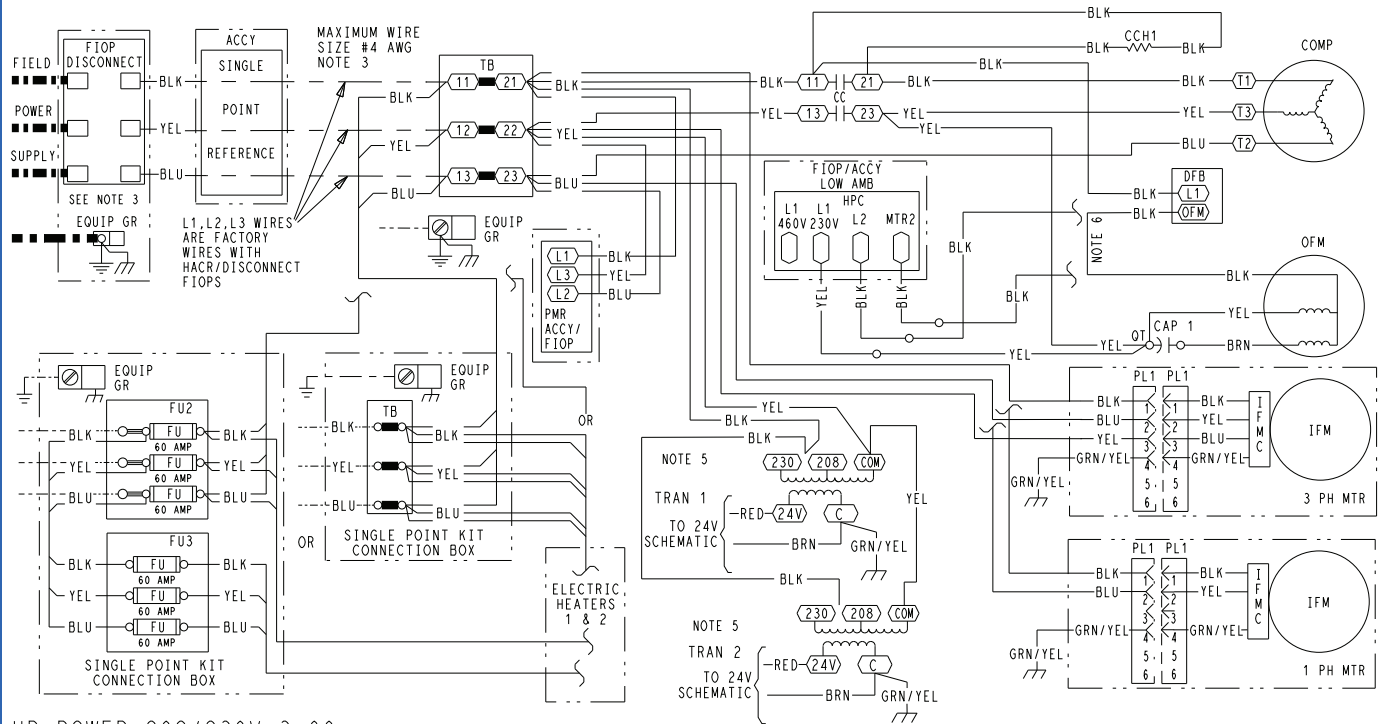
- ACCY ACCESSORY
- AWG AMERICAN WIRE GAGE
- BAS BUILDING AUTOMATION NETWORK CONTACTOR, COMPRESSOR
- CC COMMON
- CAP CAPACITOR
- CB CIRCUIT BREAKER
- CCH CRANKCASE HEATER
- CCHR CRANKCASE HEATER RELAY
- CCHT S CRANKCASE HEATER TEMP SWITCH
- CLO COMPRESSOR LOCKOUT
- CLV COOLING LIQUID VALVE
- COPS CONDENSATE OVERFLOW SWITCH
- COM SIGNAL COMMON
- COMP COMPRESSOR MOTOR
- DDC DIRECT DIGITAL CONTROL
- DFB DEFROST BOARD
- DFT DEFROST THERMOSTAT
- EHR ELECTRIC HEAT RELAY
- ENTH ENTHALPY
- ERV ENERGY RECOVERY VENTILATOR
- ESL ENTHALPY SENSOR - LOW
- FB FUSE BLOCK
- FIOP FACTORY INSTALLED OPTION
- FPT FREEZE PROTECTION THERMOSTAT
- FST FAN HOUSING TEMP SENSOR
- FU FUSE
- G THERMOSTAT FAN CALL
- GR(GND) GROUND
- HACR HEATING, AIR-CONDITIONING, REFRIGERATION BREAKER

- HR HEATER RELAY
- HGRH HOT GAS REHEAT
- HPC HEAD PRESSURE CONTROL
- HPS HIGH PRESSURE SWITCH
- HUM HUMIDISTAT
- IAQ INDOOR AIR QUALITY SENSORS
- IFM INDOOR FAN MOTOR
- IFMC INDOOR FAN MOTOR CONTROL
- IFO INDOOR FAN ON SIGNAL
- IRH INDOOR RELATIVE HUMIDITY
- JMP JUMPER
- L1 LINE 1
- LA LOW AMBIENT LOCKOUT
- LAR LOW AMBIENT RELAY
- LAS LOW AMBIENT SWITCH
- LDR COMPRESSOR LOADER
- LEN LOCAL EQUIPMENT NETWORK
- LOC LOSS OF CHARGE
- LPS LOW PRESSURE SWITCH
- LS LIMIT SWITCH
- LSM LIMIT SWITCH (MANUAL RESET)
- LTLO LOW TEMP LOCKOUT
- MTR MOTOR
- OAO OUTDOOR AIR QUALITY
- OAT OUTDOOR AIR TEMP. SEN
- OFM OUTDOOR FAN MOTOR
- OFR OUTDOOR FAN RELAY
- OL OVERLOAD

- PER POWER EXHAUST RELAY
- PH PHASE
- PL PLUG ASSEMBLY
- POT POTENTIOMETER
- PMR PHASE MONITOR RELAY
- PS PRESSURE SWITCH
- PWM PULSE WIDTH MODULATION
- QT QUADRUPLE TERMINAL
- R THERMOSTAT POWER
- RAT RETURN AIR TEMP. SEN
- RDV REHEAT DISCHARGE VALVE
- RH RELATIVE HUMIDITY
- RLV REHEAT LIQUID VALVE
- RNET LOCAL ACCESS NETWORK
- RVS REVERSING VALVE SOLENOID
- SAT SUPPLY AIR TEMP SENSOR
- SDP SYSTEM DISCHARGE PRESSURE
- SPRH SPACE RELATIVE HUMIDITY
- SPT SPACE TEMPERATURE SENSOR
- SPTO SPACE TEMPERATURE OFFSET
- SSP SYSTEM SUCTION PRESSURE
- SW SWITCH
- TB TERMINAL BLOCK
- TDR TIME DELAY RELAY
- TRAN TRANSFORMER
- UCB UNIT CONTROL BOARD
- W1 1st STAGE OF HEATING CALL
- W2 2nd STAGE OF HEATING CALL
- Y1 1st STAGE OF COOLING CALL
- Y2 2nd STAGE OF COOLING CALL

48TC003163 | A

Typical 50FCQ 04-07 Power Wiring Diagram, 208-230/3/60 Unit



HP POWER 208/230V-3-60
3-6TON T1

NOTES

1. IF ANY OF THE ORIGINAL WIRE FURNISHED MUST BE REPLACED, IT MUST BE REPLACED WITH TYPE 90° C WIRE OR ITS EQUIVALENT.
2. COMPRESSOR AND FAN MOTORS ARE THERMALLY PROTECTED.
3. USE COPPER CONDUCTOR ONLY.
4. DO NOT DISCONNECT POWER PLUG OR SIGNAL WIRE WHILE UNDER LOAD.
5. ON 208/230V UNITS, TRAN IS WIRED FOR 230V. IF UNIT IS TO BE RUN WITH 208V POWER SUPPLY, DISCONNECT BLK WIRE FROM 230V TAP AND CONNECT TO 208V TAP.
6. THIS WIRE NOT USED WITH LOW AMBIENT FIO/ACCY.

LEGEND

- (X) MARKED WIRE
- (X) TERMINAL (MARKED)
- () TERMINAL (UNMARKED)
- (X) TERMINAL BLOCK
- SPLICE
- SPLICE (MARKED)
- FACTORY WIRING
- - - FIELD CONTROL WIRING
- ■ ■ ■ ■ FIELD POWER WIRING
- - - - - CIRCUIT BOARD TRACE
- - - - - ACCESSORY OR OPTIONAL WIRING

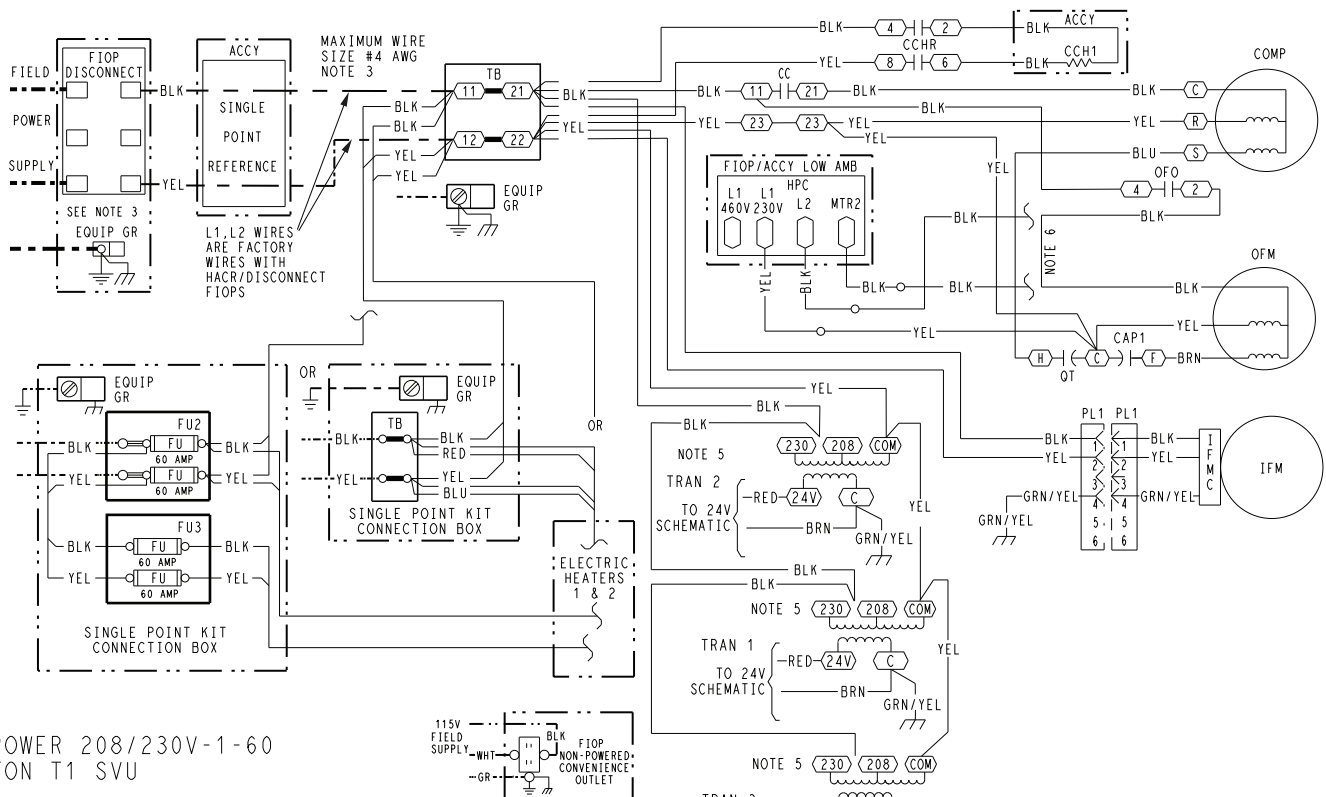
- ACCY ACCESSORY
- AWG AMERICAN WIRE GAGE
- BAS BUILDING AUTOMATION NETWORK
- CC CONTACTOR, COMPRESSOR
- C COMMON
- CAP CAPACITOR
- CB CIRCUIT BREAKER
- CCH CRANKCASE HEATER
- CCHR CRANKCASE HEATER RELAY
- CCHTS CRANKCASE HEATER TEMP SWITCH
- CLO COMPRESSOR LOCKOUT
- CLV COOLING LIQUID VALVE
- COFS CONDENSATE OVERFLOW SWITCH
- COM SIGNAL COMMON
- COMP COMPRESSOR MOTOR
- DDC DIRECT DIGITAL CONTROL
- DDB DEFROST BOARD
- DFT DEFROST THERMOSTAT
- EHR ELECTRIC HEAT RELAY
- ENTH ENTHALPY
- ERV ENERGY RECOVERY VENTILATOR
- ESL ENTHALPY SENSOR - LOW
- FB FUSE BLOCK
- FIO FACTORY INSTALLED OPTION
- FPT FREEZE PROTECTION THERMOSTAT
- FST FAN HOUSING TEMP SENSOR
- FU FUSE

- G (GR/GRN) GROUND
- HACR HEATING, AIR-CONDITIONING, REFRIGERATION BREAKER
- HR HEATER RELAY
- HPC HEAD PRESSURE CONTROL
- HPS HIGH PRESSURE SWITCH
- IAQ INDOOR AIR QUALITY SENSORS
- IFM INDOOR FAN MOTOR
- IFMC INDOOR FAN MOTOR CONTROL
- IFO INDOOR FAN ON SIGNAL
- IRH INDOOR RELATIVE HUMIDITY
- JMP JUMPER
- L1 LINE 1
- LA LOW AMBIENT LOCKOUT
- LAR LOW AMBIENT RELAY
- LAS LOW AMBIENT SWITCH
- LDR COMPRESSOR LOADER
- LEN LOCAL EQUIPMENT NETWORK
- LLSVR LIQUID LINE SOLENOID VALVE
- LOC LOSS OF CHARGE
- LPS LOW PRESSURE SWITCH
- LS LIMIT SWITCH
- LSM LIMIT SWITCH (MANUAL RESET)
- LTLO LOW TEMP LOCKOUT

- MTR MOTOR
- OAO OUTDOOR AIR QUALITY
- OAT OUTDOOR AIR TEMP. SEN
- OFM OUTDOOR FAN MOTOR
- OFR OUTDOOR FAN RELAY
- OL OVERLOAD
- PER POWER EXHAUST RELAY
- PH PHASE
- PL PHASE ASSEMBLY
- POT POTENTIOMETER
- PMR PHASE MONITOR RELAY
- PS PRESSURE SWITCH
- PWM PULSE WIDTH MODULATION
- QT QUADRUPLE TERMINAL
- R THERMOSTAT POWER
- RAT RETURN AIR TEMP. SENSOR
- RLV REHEAT LIQUID VALVE
- RNET LOCAL ACCESS NETWORK
- RVS REVERSING VALVE SOLENOID
- RVSR REVERSING VALVE RELAY
- SAT SUPPLY AIR TEMP SENSOR
- SDP SYSTEM DISCHARGE PRESSURE
- SPT SPACE TEMPERATURE SENSOR
- SPTO SPACE TEMPERATURE OFF SET
- SSP SYSTEM SUCTION PRESSURE SWITCH
- TB TERMINAL BLOCK
- TDR TIME DELAY RELAY
- TRAN TRANSFORMER
- UCB UNIT CONTROL BOARD
- W1 1st STAGE OF HEATING CALL
- W2 2nd STAGE OF HEATING CALL
- Y1 1st STAGE OF COOLING CALL
- Y2 2nd STAGE OF COOLING CALL

48TC003162 D

Typical 50FCQ 04-06 Power Wiring Diagram, 208-230/1/60 Unit with SystemVu Controller



HP POWER 208/230V-1-60
3-5TON T1 SVU

- NOTES**
- IF ANY OF THE ORIGINAL WIRE FURNISHED MUST BE REPLACED. IT MUST BE REPLACED WITH TYPE 90° C WIRE OR ITS EQUIVALENT.
 - COMPRESSOR AND FAN MOTORS ARE THERMALLY PROTECTED.
 - USE COPPER CONDUCTOR ONLY.
 - DO NOT DISCONNECT POWER PLUG OR SIGNAL WIRE WHILE UNDER LOAD.
 - ON 208/230V UNITS, TRAN IS WIRED FOR 230V. IF UNIT IS TO BE RUN WITH 208V POWER SUPPLY, DISCONNECT BLK WIRE FROM 230V TAP AND CONNECT TO 208V TAP.
 - THIS WIRE NOT USED WITH LOW AMBIENT FIO/ACCY.

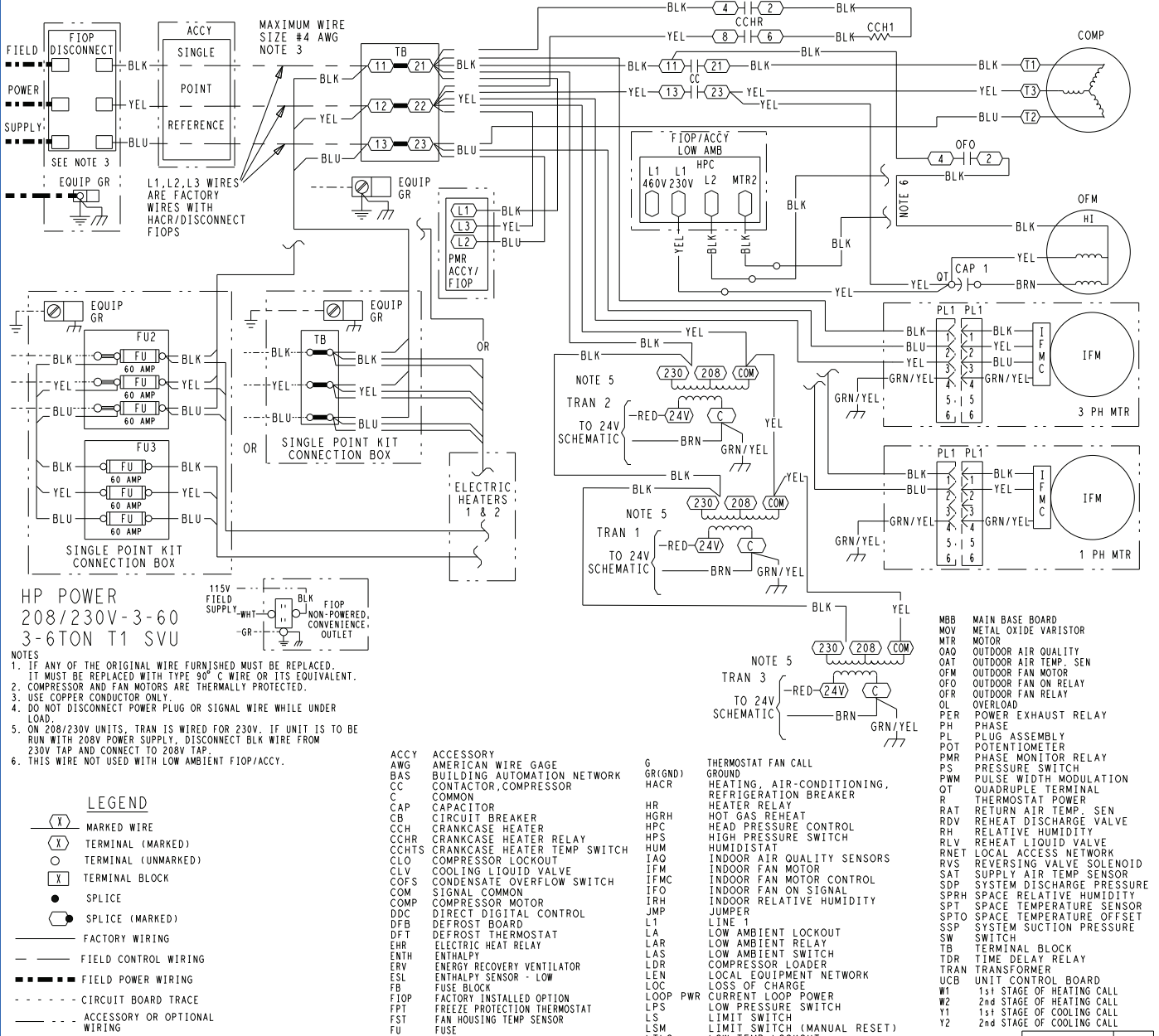
LEGEND

- (X) MARKED WIRE
- (X) TERMINAL (MARKED)
- () TERMINAL (UNMARKED)
- (X) TERMINAL BLOCK
- SPLICE
- SPLICE (MARKED)
- FACTORY WIRING
- - - FIELD CONTROL WIRING
- - - - - FIELD POWER WIRING
- - - - - CIRCUIT BOARD TRACE
- - - - - ACCESSORY OR OPTIONAL WIRING

ACCY	ACCESSORY	HR	HEATER RELAY	PER	POWER EXHAUST RELAY
AWG	AMERICAN WIRE GAGE	HGRH	HOT GAS REHEAT	PH	PHASE
BAS	BUILDING AUTOMATION NETWORK	HPC	HEAD PRESSURE CONTROL	PL	PLUG ASSEMBLY
CC	CONTACTOR, COMPRESSOR COMMON	HPS	HIGH PRESSURE SWITCH	POT	POTENTIOMETER
C	CAPACITOR	HUM	HUMIDISTAT	PMR	PHASE MONITOR RELAY
CB	CIRCUIT BREAKER	IAQ	INDOOR AIR QUALITY SENSORS	PS	PRESSURE SWITCH
CCH	CRANKCASE HEATER	IFM	INDOOR FAN MOTOR CONTROL	PWM	PULSE WIDTH MODULATION
CCHR	CRANKCASE HEATER RELAY	IFMC	INDOOR FAN MOTOR CONTROL	QT	QUADRUPLE TERMINAL
CCHTS	CRANKCASE HEATER TEMP SWITCH	IFO	INDOOR FAN ON SIGNAL	R	THERMOSTAT POWER
CLO	COMPRESSOR LOCKOUT	IRH	INDOOR RELATIVE HUMIDITY	RAT	RETURN AIR TEMP. SEN
CLV	COOLING LIQUID VALVE	JMP	JUMPER	RDV	REHEAT DISCHARGE VALVE
COFS	CONDENSATE OVERFLOW SWITCH	LA	LINE 1	RH	RELATIVE HUMIDITY
COM	SIGNAL COMMON	LA	LOW AMBIENT LOCKOUT	RLV	REHEAT LIQUID VALVE
COMP	COMPRESSOR MOTOR	LAR	LOW AMBIENT RELAY	RNET	LOCAL ACCESS NETWORK
DDC	DIRECT DIGITAL CONTROL	LAS	LOW AMBIENT SWITCH	RVS	REVERSING VALVE SOLENOID
DFB	DEFROST BOARD	LDR	COMPRESSOR LOADER	SAT	SUPPLY AIR TEMP. SENSOR
DFT	DEFROST THERMOSTAT	LEN	LOCAL EQUIPMENT NETWORK	SOP	SYSTEM DISCHARGE PRESSURE
EHR	ELECTRIC HEAT RELAY	LOC	LOSS OF CHARGE	SPRH	SPACE RELATIVE HUMIDITY
ENTH	ENTHALPY	LOOP	CURRENT LOOP POWER	SPT	SPACE TEMPERATURE SENSOR
ERV	ENERGY RECOVERY VENTILATOR	LPS	LOW PRESSURE SWITCH	SPTO	SPACE TEMPERATURE OFFSET
ESL	ENTHALPY SENSOR - LOW	LS	LIMIT SWITCH	SSP	SYSTEM SUCTION PRESSURE
ESL	ENTHALPY SENSOR - LOW	LSM	LIMIT SWITCH (MANUAL RESET)	SW	SWITCH
FB	FUSE BLOCK	LTO	LOW TEMP LOCKOUT	TB	TERMINAL BLOCK
FIO	FACTORY INSTALLED OPTION	MBB	MAIN BASE BOARD	TDR	TIME DELAY RELAY
FPT	FREEZE PROTECTION THERMOSTAT	MOV	METAL OXIDE VARISTOR	TRAN	TRANSFORMER
FST	FAN HOUSING TEMP SENSOR	MTR	MOTOR	UCB	UNIT CONTROL BOARD
FU	FUSE	OAO	OUTDOOR AIR QUALITY	W1	1st STAGE OF HEATING CALL
G	THERMOSTAT FAN CALL	OAT	OUTDOOR AIR TEMP. SEN	W2	2nd STAGE OF HEATING CALL
GR(GND)	GROUND	OFM	OUTDOOR FAN MOTOR	Y1	1st STAGE OF COOLING CALL
HACR	HEATING, AIR-CONDITIONING, REFRIGERATION BREAKER	OFO	OUTDOOR FAN ON RELAY	Y2	2nd STAGE OF COOLING CALL
		OL	OVERLOAD		

48TC003211 A

Typical 50FCQ 04-07 Power Wiring Diagram, 208-230/3/60 Unit with SystemVu Controller



48TC003212 D

General

The sequence below describes the sequence of operation for an electro-mechanical unit with and without a factory-installed EconoMi\$er® IV (W7212 controller) and X (W7220 controller). For information regarding a direct digital controller, see the start-up, operations, and troubleshooting manual for the applicable controller.

Electro-Mechanical Units with No Economizer

Cooling (single stage units)

When the thermostat calls for cooling, terminals G and Y1 are energized. The indoor fan will run at the user set fan speed and the compressor contactor (CC) is energized causing the compressor and outdoor fan to run.

When the thermostat removes the call for Y1, the compressor contactor will de-energize shutting down the compressor and the outdoor fan. When the thermostat removes the call for G, the indoor fan will turn off after the specific unit fan off delay.

Cooling (two stage units)

When the thermostat calls for cooling, terminals G and Y1 are energized. The indoor fan will run at the low fan speed and the compressor contactor (CC) is energized causing the compressor and outdoor fan to run. The low indoor fan speed is 66% of the user set fan speed and the compressor will run at partial capacity.

If additional cooling is needed, the thermostat will add the call for Y2. This will increase the indoor fan speed to the user set fan speed and energize the compressor loader for full compressor capacity. The outdoor fan is the same speed for Y1 and Y2.

When the thermostat removes the call for Y2 but leaves the Y1, the indoor fan will reduce speed to 66% of the user set fan speed, the compressor loader will turn off, and the outdoor fan will remain on. When the thermostat removes the call for Y1 the compressor contactor will de-energize shutting down the compressor and the outdoor fan. When the thermostat removes the call for G, the indoor fan will turn off after the specific unit fan off delay.

NOTE: Per ASHRAE 90.1-2016 and IECC-2018 standards, during the first stage of cooling operation the Unit Control Board (UCB) will adjust the fan motor speed to provide 66% of the total cfm established for the unit.

Defrost

When the temperature of the outdoor coil drops below 28°F (-2°C) as sensed by the defrost thermostat (DFT2) and the defrost timer is at the end of a timed period (adjustable at 30, 60, 90 or 120 minutes), reversing valve solenoids (RVS1 and RVS2) are energized and the OFC is de-energized. This switches the position of the reversing valves and shuts off the outdoor fan. The electric heaters (if installed) will be energized.

Heating, unit with economizer

When the room temperature calls for heat through terminal W1, the indoor (evaporator) fan contactor (IFC) and heater contactor no. 1 (HC1) are energized and the reversing valve(s) de-energize and switches position. On units equipped for 2 stages of heat, when additional heat is needed, heater contactor no. 2 is energized through W2. The economizer damper moves to the minimum position.

When the thermostat is satisfied, the damper moves to the fully closed position.

Heating, unit without economizer

Upon a request for heating from the space thermostat, terminal W1 will be energized with 24V. The IFC, outdoor fan contactor (OFC), C1, and C2 will be energized. The indoor fan, outdoor fans, and compressor no. 1, and compressor no. 2 are energized and reversing valves are de-energized and switch position.

If the space temperature continues to fall while W1 is energized, W2 will be energized with 24V, and the heater contactor(s) (HC) will be energized, which will energize the electric heater(s).

When the space thermostat is satisfied, W2 will be de-energized first, and the electric heater(s) will be de-energized. Upon a further rise in space temperature, W1 will be de-energized.

IMPORTANT: The thermostat must be configured for Electric Heat so it will energize G with the W1 call.

Electro-mechanical Units with Factory-Installed EconoMi\$er

When free cooling is not available, the compressors will be controlled by the zone thermostat. When free cooling is available, the outdoor-air damper is modulated by the EconoMi\$er IV and X control to provide a 50°F (10°C) to 55°F (13°C) mixed-air temperature into the zone. As the mixed air temperature fluctuates above 55°F (13°C) or below 50°F (10°C) dampers will be modulated (open or close) to bring the mixed-air temperature back within control. If mechanical cooling is utilized with free cooling, the outdoor-air damper will maintain its current position at the time the compressor is started. If the increase in cooling capacity causes the mixed-air temperature to drop below 45°F (7°C), then the outdoor-air damper position will be decreased to the minimum position. If the mixed-air temperature continues to fall, the outdoor-air damper will close. Control returns to normal once the mixed-air temperature rises above 48°F (9°C). The power exhaust fans will be energized and de-energized, if installed, as the outdoor-air damper opens and closes.

If field-installed accessory CO₂ sensors are connected to the EconoMi\$er IV and X control, a demand controlled ventilation strategy will begin to operate. As the CO₂ level in the zone increases above the CO₂ set-point, the minimum position of the damper will be increased proportionally. As the CO₂ level decreases because of the increase in fresh air, the outdoor-air damper will be proportionally closed. For EconoMi\$er IV and X operation, there must be a thermostat call for the fan (G). If the unit is occupied and the fan is on, the damper will operate at minimum position. Otherwise, the damper will be closed.

When the EconoMi\$er IV and X control is in the occupied mode and a call for cooling exists (Y1 on the thermostat), the control will first check for indoor fan operation. If the fan is not on, then cooling will not be activated. If the fan is on, then the control will open the EconoMi\$er IV and X damper to the minimum position.

On the initial power to the EconoMi\$er® IV and X control, it will take the damper up to 2-1/2 minutes before it begins to position itself. After the initial power-up, further changes in damper position can take up to 30 seconds to initiate. Damper movement from full closed to full open (or

vice versa) will take between 1-1/2 and 2-1/2 minutes. If free cooling can be used as determined from the appropriate changeover command (switch, dry bulb, enthalpy curve, differential dry bulb, or differential enthalpy), then the control will modulate the dampers open to maintain the mixed-air temperature set-point at 50°F (10°C) to 55°F (13°C). If there is a further demand for cooling (cooling second stage — Y2 is energized), then the control will bring on compressor stage 1 to maintain the mixed-air temperature set-point. The EconoMi\$er IV and X damper will be open at maximum position.

2-Speed Note: The EconoMi\$er IV and X controller will adjust the damper position as the Indoor Fan Speed changes, per its configured values.

Heating

The sequence of operation for the heating is the same as an electro-mechanical unit with no economizer. The only

difference is how the economizer acts. The economizer will stay at the Economizer Minimum Position while the evaporator fan is operating. The outdoor-air damper is closed when the indoor fan is not operating. Refer to Service and Maintenance Manual for further details.

RTU Open controller (factory option)

For details on operating 50FCQ units equipped with the factory-installed RTU Open controller option, refer to Factory Installed RTU Open Multi-Protocol Controller Controls, Start-Up, Operation and Troubleshooting manual.

SystemVu™ controller (factory option)

For details on operating 50FCQ units equipped with the factory-installed SystemVu controller option, refer to FCQ/GCQ Series Single Package Rooftop Units with SystemVu Controller Controls, Start-Up, Operation and Troubleshooting manual.

Minimum operating ambient temperature (cooling)

In mechanical cooling mode, your Carrier rooftop unit can safely operate down to an outdoor ambient temperature of 40°F (4°C). It is possible to provide cooling at lower outdoor ambient temperatures by using less outside air, economizers, and/or accessory low ambient kits.

Maximum operating ambient temperature (cooling)

The maximum operating ambient temperature for cooling mode is 115°F (46°C). While cooling operation above 115°F (46°C) may be possible, it could cause either a reduction in performance, reliability, or a protective action by the unit's internal safety devices.

Multiple motor and drive packages

Some applications need larger horsepower motors, some need more airflow, and some need both. Regardless of the case, your Carrier expert has a factory-installed combination to meet your application. A wide selection of motors are available, factory installed, to handle nearly any application.

Minimum and maximum airflow (heating and cooling)

To maintain safe and reliable operation of your rooftop, operate within the heating airflow limits during heating mode and cooling airflow limits during cooling mode. Operating above the max may cause blow-off, undesired airflow noise, or airflow related problems with the rooftop unit. Operating below the min may cause problems with coil freeze-up and unsafe heating operation. Heating and cooling limitations differ when evaluating operating cfm, the minimum value is the HIGHER of the cooling and heating minimum cfm values published on page 7 and the maximum value is the LOWER of the cooling and heating minimum values published on page 7.

Heating-to-cooling changeover

Your unit will automatically change from heating to cooling mode when using a thermostat with an auto-changeover feature.

Airflow

All units are draw-through in cooling mode and blow-through in heating mode.

Outdoor air application strategies

Economizers reduce operating expenses and compressor run time by providing a free source of cooling and a means of ventilation to match application changing needs. In fact,

they should be considered for most applications. Also, consider the various economizer control methods and their benefits, as well as sensors required to accomplish your application goals. Please contact your local Carrier representative for assistance.

Motor limits, break horsepower (bhp)

Due to internal design of Carrier units, the air path, and specially designed motors, the full horsepower (maximum continuous bhp) band, as listed in the Fan Performance tables, can be used with the utmost confidence. There is no need for extra safety factors, as Carrier motors are designed and rigorously tested to use the entire, listed bhp range without either nuisance tripping or premature motor failure.

Sizing a rooftop

Bigger is not necessarily better. While an air conditioner needs to have enough capacity to meet the design loads, it does not need excess capacity. In fact, excess capacity typically results in very poor part load performance and humidity control.

Using higher design temperatures than ASHRAE recommends for your location, adding "safety factors" to the calculated load, are all signs of oversizing air conditioners. Oversizing the air conditioner leads to poor humidity control, reduced efficiency, higher utility bills, larger indoor temperature swings, excessive noise, and increased wear and tear on the air conditioner.

Rather than oversizing an air conditioner, engineers should "right-size" or even slightly "under-size" air conditioners. Correctly sizing an air conditioner controls humidity better; promotes efficiency; reduces utility bills; extends equipment life, and maintains even, comfortable temperatures. Please contact your local Carrier representative for assistance.

Low ambient applications

The optional Carrier economizer can adequately cool your space by bringing in fresh, cool outside air. In fact, when so equipped, accessory low-ambient kit may not be necessary. In low ambient conditions, unless the outdoor air is excessively humid or contaminated, economizer-based "free cooling" is the preferred less costly and energy conscious method. In low ambient applications where outside air might not be desired (such as contaminated or excessively humid outdoor environments), your Carrier rooftop can operate to ambient temperatures down to -20°F (-29°C) using the recommended accessory low ambient controller.

This specification is in the "Masterformat" as published by the Construction Specification Institute. Please feel free to copy this specification directly into your building spec.



Rooftop Packaged Heat Pump

HVAC Guide Specifications

Size Range: **3 to 6 Nominal Tons**

Carrier Model Number: **50FCQ04-07**

Part 1 — (23 06 80) Schedules for Decentralized HVAC Equipment

1.01 (23 06 80.13) Decentralized Unitary HVAC Equipment Schedule:

- A. (23 06 80.13.A.) Rooftop unit (RTU) schedule:
 - 1. Schedule is per the project specification requirements.

Part 2 — (23 07 16) HVAC equipment insulation

2.01 (23 07 16.13) Decentralized, Rooftop Units:

- A. (23 07 16.13.A.) Evaporator fan compartment:
 - 1. Interior cabinet surfaces shall be insulated with a minimum 1/2 in. thick, minimum 1-1/2 lb density, flexible fiberglass insulation bonded with a phenolic binder, neoprene coated on the air side.
 - 2. Insulation and adhesive shall meet NFPA 90A requirements for flame spread and smoke generation.
- B. (23 07 16.13.B.) Electric Heat Compartment:
 - 1. Aluminum foil-faced fiberglass insulation shall be used.
 - 2. Insulation and adhesive shall meet NFPA 90A requirements for flame spread and smoke generation.

Part 3 — (23 09 13) Instrumentation and control devices for HVAC

3.01 (23 09 13.13) Sensors and Transmitters:

- A. (23 09 13.13.A.) Thermostats:
 - 1. Thermostat must:
 - a. have capability to energize 2 different stages of cooling, and 2 different stages of heating. (07 models have 2-stage cooling capabilities).
 - b. be heat pump design and include capability for occupancy scheduling.

Part 4 — (23 09 23) Direct Digital Control system for HVAC

4.01 (23 09 23.13) Decentralized, Rooftop Units:

- A. (23 09 23.13.A.) SystemVu™ intelligent integrated Direct Digital Control (DDC) shall provide:
 - 1. Integrated unit operation for comfort cooling, heating ventilation as well as all monitoring, recording and reporting capabilities. Controller shall also provide diagnostics and alarms of

abnormal unit operation through the controller. Controller shall have an intuitive user display and be able to be used in a standalone operation or via building automation system (BAS).

- 2. Quick Unit Status LEDs of: Run — meaning all systems are go, ALERT — that indicates there is currently a non-critical issue with the unit, like filters need to be replaced and FAULT — that indicates the unit has a critical issue and will possibly shut down.
- 3. Six large navigation keys for easy access. Navigation keys shall consist of: TEST, BACK, ENTER, and MENU along with UP and DOWN arrows.
- 4. Full back lit user display with 4 line by 30 character text capabilities. Display menu shall be designed to provide guided major menus and sub menus main menu provided below:
 - a. Shutdown Unit
 - b. Run Status
 - c. Settings
 - d. Alerts/Faults
 - e. Service
 - f. Inputs
 - g. Outputs
 - h. USB
- 5. The capability for standalone operation with conventional thermostat/sensor or use with building automation systems (BAS) of Carrier i-Vu®, BACnet and Carrier Comfort Network® (CCN) systems. No special modules or boards are required for these capabilities. Has the capability to work with Equipment Touch™ and System Touch™ devices and ZS Sensors.
- 6. The ability to read refrigerant pressures at display or via BAS network of; Discharge Pressure and Suction Pressure. The need for traditional refrigerant gauges is not required.
- 7. USB Data Port for flash drive interaction. This will allow the transfer of data for uploads, downloads, perform software upgrades, back-up and restore data and file transfer data such as component number of starts and run hours.
- 8. Reverse Rotation Protection of compressors if field three phase wiring is misapplied.
- 9. Provide Service Capabilities of:
 - a. Auto run test
 - b. Manual run test
 - c. Component run hours and starts
 - d. Commissioning reports
 - e. Data logging
 - f. Alarm history
- 10. Economizer control and diagnostics. Set up economizer operation, receive feedback from actuator. Also meets the most recent California

Title 24, ASHRAE 90.1 and IECC Fault Detection and Diagnostic (FDD) requirements.

11. Unit cooling operation down to 40°F (4°C).
 12. Controller shall have easy access connections around the controller perimeter area and consist of Mate-N-Lok, terminal block and RJ style modular jack connections.
 13. 365 day real time clock, 20 holiday schedules along with occupied and unoccupied scheduling.
 14. Auto-Recognition for easy installation and commissioning of devices like economizers, space sensors, etc.
 15. A 5°F temperature difference between cooling and heating set points to meet the latest ASHRAE 90.1 Energy Standard.
 16. Return air sensor, supply air sensor and outdoor air sensor to help monitor and provide data for the unit comfort operation, diagnostic and alarms.
 17. Use of Carrier's field accessory hand-held Navigator™ display, Equipment Touch and System Touch devices.
 18. Supply Air Tempering control operates the electric heat to maintain a minimum supply air temperature during conditions where very cold outdoor air causes the supply air temperature to fall below the configured Supply Air Tempering Setpoint. This occurs during periods where DCV is active and increasing the amount of outdoor air or in cases where the system is operating at very low airflow and the calculated economizer position has increased to maintain a constant ventilation rate.
 19. Demand limiting in SystemVu™ is achieved through set point expansion. The systems heating and cooling set points are expanded in steps or levels. The degree to which the set points may be expanded is defined by the 6 demand level offsets and the 2 commanded demand limit levels.
 20. 3-year limited part warranty.
- B. (23 09 23.13.B.) RTU Open Protocol, Direct Digital Controller:
1. Shall be ASHRAE 62 compliant.
 2. Shall accept 18 - 30VAC, 50 - 60Hz, and consumer 15VA or less power.
 3. Shall have an operating temperature range from -40°F (-40°C) to 130°F (54°C), 10% to 90% RH (non-condensing).
 4. Shall include built-in protocol for BACnet™¹ (MS/TP and PTP modes), Modbus®¹ (RTU and ASCII), Johnson N2 and LonWorks®¹. LonWorks Echelon processor required for all Lon

applications shall be contained in separate communication board.

5. Shall allow access of up to 62 network variables (SNVT). Shall be compatible with all open controllers.
6. Baud rate controller shall be selectable using a DIP switch.
7. Shall have an LED display independently showing the status of serial communication, running, errors, power, all digital outputs, and all analog inputs.
8. Shall accept the following inputs: space temperature, setpoint adjustment, outdoor air temperature, indoor air quality, outdoor air quality, compressor lock-out, fire shutdown, enthalpy switch, and fan status/filter status/humidity/remote occupancy.
9. Shall provide the following outputs: economizer, fan, cooling stage 1, cooling stage 2, heat stage 1, heat stage 2, exhaust, reversing valve/high fan speed.
10. Shall have built-in surge protection circuitry through solid-state polyswitches. Polyswitches shall be used on incoming power and network connections. Polyswitches will return to normal when the "trip" condition clears.
11. Shall have a battery back-up capable of a minimum of 10,000 hours of data and time clock retention during power outages.
12. Shall have built-in support for Carrier technician tool.
13. Shall include an RS-485 protocol communication port, an access port for connection of either a computer or a Carrier technician tool, an RS-485 port for network communication to intelligent space sensors and displays, and a port to connect an optional LonWorks communications card.
14. Software upgrades will be accomplished by either local or remote download. No software upgrades through chip replacements are allowed.

Part 5 — (23 09 33) Electric and Electronic Control System for HVAC

5.01 (23 09 33.13) Decentralized, Rooftop Units:

A. (23 09 33.13.A.) General:

1. Shall be complete with self-contained low-voltage control circuit protected by a resettable circuit breaker on the 24-v transformer side. Transformer shall have 75VA capability.
2. Shall utilize color-coded wiring.
3. Shall include a Unit Control Board to conveniently and safely provide connection points for vital control functions such as: smoke detectors, phase monitor, economizer, thermostat, DDC control options, and low and high pressure switches. Controller shall also provide an intuitive

1. Third-party trademarks and logos are property of their respective owners.

means to adjust the indoor fan speed through a simple switch and pot adjustment design.

4. Unit shall include a minimum of one 8-pin screw terminal connection board for connection of control wiring.
 5. Shall include integrated defrost system to prevent excessive frost accumulation during heating duty, and shall be controlled as follows:
 - a. Defrost shall be initiated on the basis of time and coil temperature.
 - b. A 30, 60, 90, 120 minute timer shall activate the defrost cycle only if the coil temperature is low enough to indicate a heavy frost condition.
 - c. Defrost cycle shall terminate when defrost thermostat is satisfied and shall have a positive termination time of 10 minutes.
 6. Defrost system shall also include:
 - a. Defrost Cycle Indicator LED.
 - b. DIP switch selectable defrost time between 30, 60, 90 and 120 minutes. Factory set at 30 minutes.
 - c. Molded plug connection to ensure proper connection.
- B. (23 09 33.13.B.) Safeties:
1. Compressor over-temperature, over-current. High internal pressure differential.
 2. Low pressure switch.
 - a. Low pressure switch shall use different color wire than the high pressure switch. The purpose is to assist the installer and service technician to correctly wire and or troubleshoot the rooftop unit.
 3. High pressure switch.
 - a. High pressure switch shall use different color wire than the low pressure switch. The purpose is to assist the installer and service technician to correctly wire and or troubleshoot the rooftop unit.
 4. Automatic reset, motor thermal overload protector.

Part 6 — (23 09 93) Sequence of Operations for HVAC Controls

- 6.01 (23 09 93.13) Decentralized, Rooftop Units:
- A. (23 09 93.13.A.) INSERT SEQUENCE OF OPERATION

Part 7 — (23 40 13) Panel Air Filters

- 7.01 (23 40 13.13) Decentralized, Rooftop Units:
- A. (23 40 13.13.A.) Standard filter section:
 1. Shall consist of factory installed, low velocity, disposable 2 in. thick fiberglass filters of commercially available sizes.
 2. Unit shall use only one filter size. Multiple sizes are not acceptable.
 3. Filters shall be accessible through an access panel with “no-tool” removal as described in

the unit cabinet section of this specification (23 81 19.13.G).

Part 8 — (23 81 19) Self-Contained Air Conditioners

- 8.01 (23 81 19.13) Small-Capacity Self-Contained Air Conditioners (50FCQ04-07):
- A. (23 81 19.13.A.) General:
 1. Outdoor, rooftop mounted, electrically controlled, heating and cooling unit utilizing a fully hermetic scroll compressor(s) for cooling duty and heat pump heating duty.
 2. Factory assembled, single-piece heating and cooling rooftop unit. Contained within the unit enclosure shall be all factory wiring, piping, controls, and special features required prior to field start-up.
 3. Unit shall use Puron® (R-410A) refrigerant.
 4. Unit shall be installed in accordance with the manufacturer's instructions.
 5. Unit must be selected and installed in compliance with local, state, and federal codes.
 - B. (23 81 19.13.B.) Quality Assurance:
 1. Unit meets ASHRAE 90.1 minimum efficiency requirements.
 2. Unit shall be rated in accordance with AHRI Standards 210/240 (04-06 sizes) or 340/360 (07 size).
 3. Unit shall be designed to conform to ASHRAE 15.
 4. Unit shall be UL-tested and certified in accordance with ANSI Z21.47 Standards and UL-listed and certified under Canadian standards as a total package for safety requirements.
 5. Insulation and adhesive shall meet NFPA 90A requirements for flame spread and smoke generation.
 6. Unit casing shall be capable of withstanding 500 hour salt spray exposure per ASTM B117 (scribed specimen).
 7. Unit shall be designed in accordance with ISO 9001, and shall be manufactured in a facility registered by ISO 9001:2015.
 8. Roof curb shall be designed to conform to NRCA Standards.
 9. Unit shall be subjected to a completely automated run test on the assembly line. The data for each unit will be stored at the factory, and must be available upon request.
 10. Unit shall be designed in accordance with UL Standard 1995, including tested to withstand rain.
 11. Unit shall be constructed to prevent intrusion of snow and tested to prevent snow intrusion into the control box up to 40 mph.
 12. Unit shake tested to assurance level 1, ASTM D4169 to ensure shipping reliability.

- C. (23 81 19.13.C.) Delivery, Storage, and Handling:
 - 1. Unit shall be stored and handled per manufacturer's recommendations.
 - 2. Lifted by crane requires either shipping top panel or spreader bars.
 - 3. Unit shall only be stored or positioned in the upright position.
- D. (23 81 19.13.D.) Project Conditions:
 - 1. As specified in the contract.
- E. (23 81 19.13.E.) Operating Characteristics:
 - 1. Unit shall be capable of starting and running at 115°F (46°C) ambient outdoor temperature, meeting maximum load criteria of AHRI Standard 210/240 or 340/360 at ±10% voltage.
 - 2. Compressor with standard controls shall be capable of operation down to 40°F (4°C), ambient outdoor temperatures. Accessory winter start kit is necessary if mechanically cooling at ambient temperatures down to 25°F (-4°C).
 - 3. Unit shall discharge supply air vertically or horizontally as shown on contract drawings.
 - 4. Unit shall be factory configured for vertical supply and return configurations.
 - 5. Unit shall be field convertible from vertical to horizontal airflow on all models. No special kit required.
 - 6. Unit shall be capable of mixed operation: vertical supply with horizontal return or horizontal supply with vertical return.
- F. (23 81 19.13.F.) Electrical Requirements:
 - 1. Main power supply voltage, phase, and frequency must match those required by the manufacturer.
- G. (23 81 19.13.G.) Unit Cabinet:
 - 1. Unit cabinet shall be constructed of galvanized steel, and shall be bonderized and coated with a pre-painted baked enamel finish on all externally exposed surfaces.
 - 2. Unit cabinet exterior paint shall be: film thickness, (dry) 0.003 in. minimum, gloss (per ASTM D523, 60°F/16°C): 60, Hardness: H-2H Pencil hardness.
 - 3. Evaporator fan compartment interior cabinet insulation shall conform to AHRI Standards 210/240 and or 340/360 minimum exterior sweat criteria. Interior surfaces shall be insulated with a minimum 1/2 in. thick, 1 lb density, flexible fiberglass insulation, neoprene coated on the air side. Aluminum foil-faced fiberglass insulation shall be used in the heat compartment.
 - 4. Base of unit shall have a minimum of four locations for thru-the-base electrical connections (factory-installed or field-installed), standard.
 - 5. Base Rail:
 - a. Unit shall have base rails on a minimum of 2 sides.
 - b. Holes shall be provided in the base rails for rigging shackles to facilitate maneuvering and overhead rigging.
 - c. Holes shall be provided in the base rail for moving the rooftop by fork truck.
 - d. Base rail shall be a minimum of 16 gauge thickness.
- 6. Condensate pan and connections:
 - a. Shall be a sloped condensate drain pan made of a corrosion resistant material.
 - b. Shall comply with ASHRAE Standard 62.
 - c. Shall use a 3/4 in. 14 NPT drain connection, possible either through the bottom or side of the drain pan. Connection shall be made per manufacturer's recommendations.
- 7. Top panel:
 - a. Shall be a single piece top panel on all sizes.
- 8. Electrical Connections:
 - a. All unit power wiring shall enter unit cabinet at a single, factory prepared, knockout location.
 - b. Thru-the-base capability.
 - 1) Standard unit shall have a thru-the-base electrical location(s) using a raised, embossed portion of the unit basepan.
 - 2) Optional, factory approved, water-tight connection method must be used for thru-the-base electrical connections.
 - 3) No basepan penetration, other than those authorized by the manufacturer, is permitted.
- 9. Component access panels (standard):
 - a. Cabinet panels shall be easily removable for servicing.
 - b. Unit shall have one factory installed, tool-less, removable, filter access panel.
 - c. Panels covering control box, indoor fan, indoor fan motor, and compressors shall have molded composite handles.
 - d. Handles shall be UV modified, composite. They shall be permanently attached, and recessed into the panel.
 - e. Screws on the vertical portion of all removable access panel shall engage into heat resistant, molded composite collars.
 - f. Collars shall be removable and easily replaceable using manufacturer recommended parts.
- H. (23 81 19.13.H.) Coils:
 - 1. Standard industry proven Aluminum Fin-Copper Tube Coils:
 - a. Standard evaporator and condenser coils shall have aluminum lanced plate fins mechanically bonded to seamless internally grooved copper tubes with all joints brazed.

- b. Evaporator coils shall be leak tested to 150 psig, pressure tested to 450 psig, and qualified to UL 1995 burst test at 1775 psig.
 - c. Condenser coils shall be leak tested to 150 psig, pressure tested to 650 psig, and qualified to UL 1995 burst test at 1980 psig.
2. Optional Pre-coated aluminum-fin condenser coils (3 Phase Models Only):
- a. Shall have a durable epoxy-phenolic coating to provide protection in mildly corrosive coastal environments.
 - b. Coating shall be applied to the aluminum fin stock prior to the fin stamping process to create an inert barrier between the aluminum fin and copper tube.
 - c. Epoxy-phenolic barrier shall minimize galvanic action between dissimilar metals.
 - d. Corrosion durability of fin stock shall be confirmed through testing to be no less than 1000 hours salt spray per ASTM B117-90.
 - e. Corrosion durability of fin stock shall be confirmed through testing to have no visible corrosion after 48 hour immersion in a room temperature solution of 5% salt, 1% acetic acid.
 - f. Fin stock coating shall pass 2000 hours of the following: one week exposure in the prohesion chamber followed by one week of accelerated ultraviolet light testing. Prohesion chamber: the solution shall contain 3.5% sodium chloride and 0.35% ammonium sulfate. The exposure cycle is one hour of salt fog application at ambient followed by one hour drying at 95°F (35°C).
3. Optional Copper-fin evaporator and condenser coils (3 Phase Models Only):
- a. Shall be constructed of copper fins mechanically bonded to copper tubes and copper tube sheets.
 - b. Galvanized steel tube sheets shall not be acceptable.
 - c. A polymer strip shall prevent coil assembly from contacting the sheet metal coil pan to minimize potential for galvanic corrosion between coil and pan.
4. Optional E-coated aluminum-fin evaporator and condenser coils (3 Phase Models Only):
- a. Shall have a flexible epoxy polymer coating uniformly applied to all coil surface areas without material bridging between fins.
 - b. Coating process shall ensure complete coil encapsulation of tubes, fins and headers.
 - c. Color shall be high gloss black with gloss per ASTM D523-89.
 - d. Uniform dry film thickness from 0.8 to 1.2 mil on all surface areas including fin edges.
 - e. Superior hardness characteristics of 2H per ASTM D3363-92A and cross-hatch adhesion of 4B-5B per ASTM D3359-93.
 - f. Impact resistance shall be up to 160 in.-lb (ASTM D2794-93).
 - g. Humidity and water immersion resistance shall be up to minimum 1000 and 250 hours respectively (ASTM D2247-92 and ASTM D870-92).
 - h. Corrosion durability shall be confirmed through testing to be no less than 1000 hours salt spray per ASTM B117-90.
- I. (23 81 19.13.I.) Refrigerant Components:
1. Refrigerant circuit shall include the following control, safety, and maintenance features:
 - a. Fixed cooling orifice metering system on 04-06 models and TXV on 07 size models shall include a multiple feed distribution system that optimizes coil performance. Fixed heating orifice metering system on all 04-07 models shall include a multiple feed distribution system that optimizes coil performance.
 - b. Refrigerant filter drier - Solid core design.
 - c. Service gauge connections on suction and discharge lines.
 - d. Pressure gauge access through a specially designed access port in the top panel of the unit.
 - e. Suction line accumulator to provide protection in all operating modes from cooling, heating and reverse cycle switching.
 2. There shall be gauge line access port in the skin of the rooftop, covered by a black, removable plug.
 - a. The plug shall be easy to remove and replace.
 - b. When the plug is removed, the gauge access port shall enable maintenance personnel to route their pressure gauge lines.
 - c. This gauge access port shall facilitate correct and accurate condenser pressure readings by enabling the reading with the compressor access panel on.
 - d. The plug shall be made of a leak proof, UV-resistant, composite material.
 3. Compressors:
 - a. Unit shall use fully hermetic, heat pump duty scroll compressor on single circuit independent refrigeration circuit.
 - b. Compressor motors shall be cooled by refrigerant gas passing through motor windings.
 - c. Compressors shall be internally protected from high discharge temperature conditions.
 - d. Compressors shall be protected from an over-temperature and over-ampereage conditions by an internal, motor overload device.

- e. Compressor shall be factory mounted on rubber grommets.
 - f. Compressor motors shall have internal line break thermal, current overload and high pressure differential protection.
 - g. Crankcase heaters shall not be required for normal operating range, unless required by compressor manufacturer due to refrigerant charge limits.
 - h. Compressor on 04-06 models shall be of a single stage cooling capacity design and 07 models shall be a two stage cooling capacity design.
- J. (23 81 19.13.J.) Filter Section:
- 1. Filters access is specified in the unit cabinet section of this specification.
 - 2. Filters shall be held in place by a pivoting filter tray, facilitating easy removal and installation.
 - 3. Shall consist of factory installed, low velocity, throw-away 2 in. thick fiberglass filters.
 - 4. Filters shall be standard, commercially available sizes.
 - 5. Only one size filter per unit is allowed.
- K. (23 81 19.13.K.) Evaporator Fan and Motor with EcoBlue™ Technology:
- 1. Direct Drive Evaporator fan motor:
 - a. Shall be a ECM motor design.
 - b. Shall have permanently lubricated bearings.
 - c. Shall have inherent automatic-reset thermal overload protection.
 - d. Shall have slow ramp up to speed capabilities.
 - e. Shall require no fan/motor belts for operation, adjustments and or initial fan speed set up.
 - f. Fan DC voltage set up on Unit Control Board can eliminate the need of removal of blower access door, required on conventional belt drive systems.
 - g. Shall be internally protected from electrical phase reversal and loss.
 - 2. Evaporator Fan:
 - a. Shall be easily set with dedicated selection switch and adjustment pot on unit control board or through SystemVu™ controller.
 - b. On sizes 04-06 single speed indoor fan operation provided and on 07 size model with two stage cooling capacity control, the indoor fan speed is automatically controlled to meet the code-compliant 66% low fan speed and 100% at full fan speed operation.
 - c. Blower fan shall be a Vane Axial fan design with 75% less moving parts than a conventional belt drive system.
- d. Shall be constructed of a cast aluminum stator and high impact composite material on rotor and air inlet casing.
 - e. Shall be a patented / pending design with a corrosion resistant material and dynamically balanced.
 - f. Shall have slow ramp up to speed capabilities to help reduce sound and comfort issues typically associated with single speed belt drive systems.
 - g. Shall be a slide out design with two screw removal.
3. Shall include an easily accessible unit Control Board to conveniently and safely provide connection points for vital control functions such as: smoke detectors, phase monitor, economizer, thermostat, DDC control options, and low and high pressure switches. Controller shall also provide an intuitive means to adjust the indoor fan speed through a simple switch and pot adjustment design.
- L. (23 81 19.13.L.) Condenser Fans and Motors:
- 1. Condenser fan motors:
 - a. Shall be a totally enclosed motor.
 - b. Shall use permanently lubricated bearings.
 - c. Shall have inherent thermal overload protection with an automatic reset feature.
 - d. Shall use a shaft-down design on all sizes.
 - 2. Condenser Fans:
 - a. Shall be a direct-driven propeller type fan constructed of high impact composite material.
 - b. Shall have high impact composite blades completely formed into one piece without blade fasteners or connectors and shall be dynamically balanced.
- M. (23 81 19.13.M.) Special Features Options and Accessories:
- 1. Integrated EconoMi\$er® IV, EconoMi\$er2, and EconoMi\$er X low leak rate models. (EconoMi\$er 2, IV and X are factory-installed on 04-06 models. EconoMi\$er 2 and X are factory-installed on 07 models. All are field-installed on all 3 and 1 phase models.)
 - a. Integrated, gear driven opposing modulating blade design type capable of simultaneous economizer and compressor operation.
 - b. Independent modules for vertical or horizontal return configuration shall be available. Vertical return modules shall be available as a factory installed option.
 - c. Damper blades shall be galvanized steel with composite gears. Plastic or composite blades on intake or return shall not be acceptable.
 - d. Shall include all hardware and controls to provide free cooling with outdoor air when

temperature and/or humidity are below setpoints.

- e. Shall be equipped with gear driven dampers for both the outdoor ventilation air and the return air for positive air stream control.
- f. Standard leak rate shall be equipped with dampers not to exceed 2% leakage at 1 in. wg pressure differential.
- g. Economizer controller on EconoMi\$er IV models shall be the W7212 that provides:
 - 1) Combined minimum and DCV maximum damper position potentiometers with compressor staging relay.
 - 2) Functions with solid-state analog enthalpy or dry bulb changeover control sensing.
 - 3) Contain LED indicates for: when free cooling is available, when module is in DCV mode, when exhaust fan contact is closed.
- h. Economizer controller on EconoMi\$er X models shall be the W7220 that provides:
 - 1) 2-line LCD interface screen for setup, configuration and troubleshooting.
 - 2) On-board Fault Detection and Diagnostics (FDD) that senses and alerts when the economizer is not operating properly, per California Title 24, ASHRAE 90.1 and IECC¹.
 - 3) Sensor failure loss of communication identification.
 - 4) Automatic sensor detection.
 - 5) Capabilities for use with multiple-speed or single speed indoor fan systems.
 - 6) Utilize digital sensors: Dry bulb and Enthalpy.
- i. Economizer controller on EconoMi\$er 2 models with RTU Open or SystemVu™ controls shall be a 4 to 20mA design controlled directly by the controller. RTU Open and SystemVu meet California Title 24, ASHRAE 90.1 and IECC Fault Detection and Diagnostic (FDD) requirements.
- j. Shall be capable of introducing up to 100% outdoor air.
- k. Shall be equipped with a barometric relief damper capable of relieving up to 100% return air and contain seals that meet ASHRAE 90.1 requirements.
- l. Shall be designed to close damper(s) during loss-of-power situations with spring return built into motor.
- m. Dry bulb outdoor air temperature sensor shall be provided as standard. Enthalpy

sensor is also available on factory installed only. Outdoor air sensor setpoint shall be adjustable and shall range from 40°F to 100°F (4°C to 38°C). Additional sensor options shall be available as accessories.

- n. The economizer controller shall also provide control of an accessory power exhaust unit function. Factory set at 100%, with a range of 0% to 100%.
 - o. The economizer shall maintain minimum airflow into the building during occupied period and provide design ventilation rate for full occupancy.
 - p. Dampers shall be completely closed when the unit is in the unoccupied mode.
 - q. Economizer controller shall accept a 2 to 10 vdc CO₂ sensor input for IAQ/DCV control. In this mode, dampers shall modulate the outdoor air damper to provide ventilation based on the sensor input.
 - r. Compressor lockout temperature on W7220 control is adjustable from -45°F (-43°C) to 80°F (27°C), set at a factory default of 32°F (0°C). W7212 control opens at 35°F (2°C) and closes at 50°F (10°C).
 - s. Actuator shall be direct coupled to economizer gear. No linkage arms or control rods shall be acceptable.
 - t. Economizer controller shall provide indications when in free cooling mode, in the DCV mode, or the exhaust fan contact is closed.
2. Integrated EconoMi\$er[®]2, and EconoMi\$er X Ultra Low Leak rate models. (Factory-installed on 3 phase models only. Field-installed on all 3 and 1 phase models.)
 - a. Integrated, gear driven opposing modulating blade design type capable of simultaneous economizer and compressor operation.
 - b. Independent modules for vertical or horizontal return configuration shall be available. Vertical return modules shall be available as a factory-installed option.
 - c. Damper blades shall be galvanized steel with composite gears. Plastic or composite blades on intake or return shall not be acceptable.
 - d. Shall include all hardware and controls to provide free cooling with outdoor air when temperature and/or humidity are below setpoints.
 - e. Shall be equipped with gear driven dampers for both the outdoor ventilation air and the return air for positive air stream control.
 - f. Ultra Low Leak design meets California Title 24 section 140.4 and ASHRAE 90.1 requirements for 4 cfm per sq ft on the outside air dampers and 10 cfm per sq ft on the return dampers.

1. Third-party trademarks and logos are property of their respective owners.

- g. Economizer controller on EconoMi\$er X models shall be the W7220 that provides:
 - 1) 2-line LCD interface screen for setup, configuration and troubleshooting.
 - 2) On-board Fault Detection and Diagnostics (FDD) that senses and alerts when the economizer is not operating properly, per California Title 24, ASHRAE 90.1 and IECC.
 - 3) Sensor failure loss of communication identification.
 - 4) Automatic sensor detection.
 - 5) Capabilities for use with multiple-speed indoor fan systems.
 - 6) Utilize digital sensors: Dry bulb and Enthalpy.
 - h. Economizer controller on EconoMi\$er 2 models with RTU Open or SystemVu™ controls shall be a 4-20mA design controlled directly by the controller. RTU Open and SystemVu meet California Title 24, ASHRAE 90.1 and IECC Fault Detection and Diagnostic (FDD) requirements.
 - i. Shall be capable of introducing up to 100% outdoor air.
 - j. Shall be equipped with a barometric relief damper capable of relieving up to 100% return air and contain seals that meet ASHRAE 90.1 requirements.
 - k. Shall be designed to close damper(s) during loss-of-power situations with spring return built into motor.
 - l. Dry bulb outdoor air temperature sensor shall be provided as standard. Enthalpy sensor is also available on factory installed only. Outdoor air sensor setpoint shall be adjustable and shall range from 40°F to 100°F (4°C to 38°C). Additional sensor options shall be available as accessories.
 - m. The economizer controller shall also provide control of an accessory power exhaust unit function. Factory set at 100%, with a range of 0% to 100%.
 - n. The economizer shall maintain minimum air-flow into the building during occupied period and provide design ventilation rate for full occupancy.
 - o. Dampers shall be completely closed when the unit is in the unoccupied mode.
 - p. Economizer controller shall accept a 2 to 10 vdc CO₂ sensor input for IAQ/DCV control. In this mode, dampers shall modulate the outdoor air damper to provide ventilation based on the sensor input.
 - q. Compressor lockout temperature on W7220 control is adjustable from -45°F (-43°C) to 80°F (27°C), set at a factory default of 32°F (0°C). W7212 control opens at 35°F (2°C) and closes at 50°F (10°C).
 - r. Actuator shall be direct coupled to economizer gear. No linkage arms or control rods shall be acceptable.
 - s. Economizer controller shall provide indications when in free cooling mode, in the DCV mode, or the exhaust fan contact is closed.
- 3. Two-Position Damper (Factory-installed on 3 Phase 04-06 Models Only. Field-installed on all 3 and 1 Phase Models)
 - a. Damper shall be a Two-Position Damper. Damper travel shall be from the full closed position to the field adjustable %-open setpoint.
 - b. Damper shall include adjustable damper travel from 25% to 100% (full open).
 - c. Damper shall include single or dual blade, gear driven dampers and actuator motor.
 - d. Actuator shall be direct coupled to damper gear. No linkage arms or control rods shall be acceptable.
 - e. Damper will admit up to 100% outdoor air for applicable rooftop units.
 - f. Damper shall close upon indoor (evaporator) fan shutoff and/or loss of power.
 - g. The damper actuator shall plug into the rooftop unit's wiring harness plug. No hard wiring shall be required.
 - h. Outside air hood shall include aluminum water entrainment filter.
 - 4. Manual damper (field-installed only):
 - a. Manual damper package shall consist of damper, air inlet screen, and rain hood which can be preset to admit up to 25% or 50% outdoor air for year round ventilation.
 - 5. Low Ambient Control Package:
 - a. Controller shall control coil head pressure by condenser fan speed modulation or condenser fan cycling and wind baffles.
 - b. Shall consist of solid-state control and condenser coil temperature sensor to maintain condensing temperature between 90°F (32°C) and 110°F (43°C) at outdoor ambient temperatures down to -20°F (-29°C).
 - 6. Condenser Coil Hail Guard Assembly (Factory-installed on 3 Phase Models Only. Field-installed on all 3 and 1 Phase Models.)
 - a. Shall protect against damage from hail.
 - b. Shall be either hood style or louvered.
 - 7. Unit-Mounted, Non-Fused Disconnect Switch (Available on units with MOCPS of 80 amps or less):
 - a. Switch shall be factory installed, internally mounted.

- b. National Electric Code (NEC) and UL approved non-fused switch shall provide unit power shutoff.
 - c. Shall be accessible from outside the unit.
 - d. Shall provide local shutdown and lockout capability.
 - e. Sized only for the unit as ordered from the factory. Does not accommodate field-installed devices.
8. Convenience Outlet:
- a. Powered convenience outlet:
(3 Phase Models Only)
 - 1) Outlet shall be powered from main line power to the rooftop unit.
 - 2) Outlet shall be powered from line side or load side of disconnect by installing contractor, as required by code. If outlet is powered from load side of disconnect, unit electrical ratings shall be UL certified and rated for additional outlet amperage.
 - 3) Outlet shall be factory-installed and internally mounted with easily accessible 115-v female receptacle.
 - 4) Outlet shall include 15 amp GFI receptacles with independent fuse protection.
 - 5) Voltage required to operate convenience outlet shall be provided by a factory installed step-down transformer.
 - 6) Outlet shall be accessible from outside the unit.
 - 7) Outlet shall include a field installed “Wet in Use” cover.
 - b. Factory-Installed Non-Powered convenience outlet:
 - 1) Outlet shall be powered from a separate 115/120v power source.
 - 2) A transformer shall not be included.
 - 3) Outlet shall be factory-installed and internally mounted with easily accessible 115-v female receptacle.
 - 4) Outlet shall include 15 amp GFI receptacles with independent fuse protection.
 - 5) Outlet shall be accessible from outside the unit.
 - 6) Outlet shall include a field installed “Wet in Use” cover.
 - c. Field-Installed Non-Powered convenience outlet:
 - 1) Outlet shall be powered from a separate 115/120v power source.
 - 2) A transformer shall not be included.
 - 3) Outlet shall be field-installed and internally mounted with easily accessible 115-v female receptacle.
- 4) Outlet shall include 20 amp GFI receptacles. This kit provides a flexible installation method which allows code compliance for height requirements of the GFCI outlet from the finished roof surface as well as the capability to relocate the outlet to a more convenient location.
 - 5) Outlet shall be accessible from outside the unit.
 - 6) Outlet shall include a field installed “Wet in Use” cover.
9. Thru-the-Base Connectors:
- a. Kits shall provide connectors to permit electrical connections to be brought to the unit through the unit basepan.
 - b. Minimum of four connection locations per unit.
10. Propeller Power Exhaust:
- a. Power exhaust shall be used in conjunction with an integrated economizer.
 - b. Independent modules for vertical or horizontal return configurations shall be available.
 - c. Horizontal power exhaust is shall be mounted in return ductwork.
 - d. Power exhaust shall be controlled by economizer controller operation. Exhaust fans shall be energized when dampers open past the 0 to 100% adjustable setpoint on the economizer control.
11. Roof Curbs (Vertical):
- a. Full perimeter roof curb with exhaust capability providing separate air streams for energy recovery from the exhaust air without supply air contamination.
 - b. Formed galvanized steel with wood nailer strip and shall be capable of supporting entire unit weight.
 - c. Permits installation and securing of ductwork to curb prior to mounting unit on the curb.
12. Outdoor Air Enthalpy Sensor:
- a. The outdoor air enthalpy sensor shall be used to provide single enthalpy control. When used in conjunction with a return air enthalpy sensor, the unit will provide differential enthalpy control. The sensor allows the unit to determine if outside air is suitable for free cooling.
13. Return Air Enthalpy Sensor:
- a. The return air enthalpy sensor shall be used in conjunction with an outdoor air enthalpy sensor to provide differential enthalpy control.
14. Indoor Air Quality (CO₂) Sensor:
- a. Shall be able to provide demand ventilation indoor air quality (IAQ) control.
 - b. The IAQ sensor shall be available in duct mount, wall mount, or wall mount with LED

- display. The setpoint shall have adjustment capability.
15. Smoke detectors:
 - a. Shall be a four-wire controller and detector.
 - b. Shall be environmental compensated with differential sensing for reliable, stable, and drift-free sensitivity.
 - c. Shall use magnet-activated test/reset sensor switches.
 - d. Shall have tool-less connection terminal access.
 - e. Shall have a recessed momentary switch for testing and resetting the detector.
 - f. Controller shall include:
 - 1) One set of normally open alarm initiation contacts for connection to an initiating device circuit on a fire alarm control panel.
 - 2) Two Form-C auxiliary alarm relays for interface with rooftop unit or other equipment.
 - 3) One Form-C supervision (trouble) relay to control the operation of the Trouble LED on a remote test/reset station.
 - 4) Capable of direct connection to two individual detector modules.
 - 5) Can be wired to up to 14 other duct smoke detectors for multiple fan shut-down applications.
 16. Winter Start Kit:
 - a. Shall contain a bypass device around the low pressure switch.
 - b. Shall be required when mechanical cooling is required down to 25°F (-4°C).
 - c. Shall not be required to operate on an economizer when below an outdoor ambient of 40°F (4°C).
 17. Time Guard Control Circuit:
 - a. Shall prevent compressor short-cycling by providing a 5 minute delay (± 2 minutes) before restarting a compressor after shut-down for any reason.
 - b. One device shall be required per compressor.
 18. Hinged Access Panels:
 - a. Shall provide easy access through integrated quarter turn latches.
 - b. Shall be on major panels of: filter, control box, fan motor, and compressor.
 19. Condensate overflow switch:
 - a. This sensor and related controller monitors the condensate level in the drain pan and shuts down compression operation when overflow conditions occur. It includes:
 - 1) Indicator light — solid red (more than 10 seconds on water contact — compressors disabled), blinking red (sensor disconnected).
 - 2) 10 second delay to break — eliminates nuisance trips from splashing or waves in pan (sensor needs 10 seconds of constant water contact before tripping).
 - 3) Disables the compressor(s) operation when condensate plug is detected, but still allows fans to run for Economizer.
 20. MERV-8 Return Air Filters:
 - a. Factory option to upgrade standard unit filters to MERV-8 filters.
 21. Phase Monitor Control:
 - a. Shall monitor the sequence of three phase electrical system to provide a phase reversal protection.
 - b. Shall monitor the three phase voltage inputs to provide a phase loss protection for the three phase device.
 - c. Will work on either a Delta or Wye power connection.
 22. Horn/Strobe Annunciator:
 - a. Provides an audible/visual signaling device for use with factory-installed option or field installed accessory smoke detectors.
 - 1) Requires installation of a field-supplied 24-v transformer suitable for 4.2 VA (AC) or 3.0 VA (DC) per horn/strobe accessory.
 - 2) Requires field-supplied electrical box, North American 1-gang box, 2 in. (51 mm) x 4 in. (102 mm).
 - 3) Shall have a clear colored lens.
 23. Electric Heat:
 - a. Heating Section:
 - 1) Heater element open coil resistance wire, nickel-chrome alloy, 0.29 inches inside diameter, strung through ceramic insulators mounted on metal frame. Coil ends are staked and welded to terminal screw slots.
 - 2) Heater assemblies are provided with integral fusing for protection of internal heater circuits not exceeding 48 amps each. Auto reset thermo limit controls, magnetic heater contactors (24 v coil) and terminal block all mounted in electric heater control box (minimum 18 ga galvanized steel) attached to end of heater assembly.

